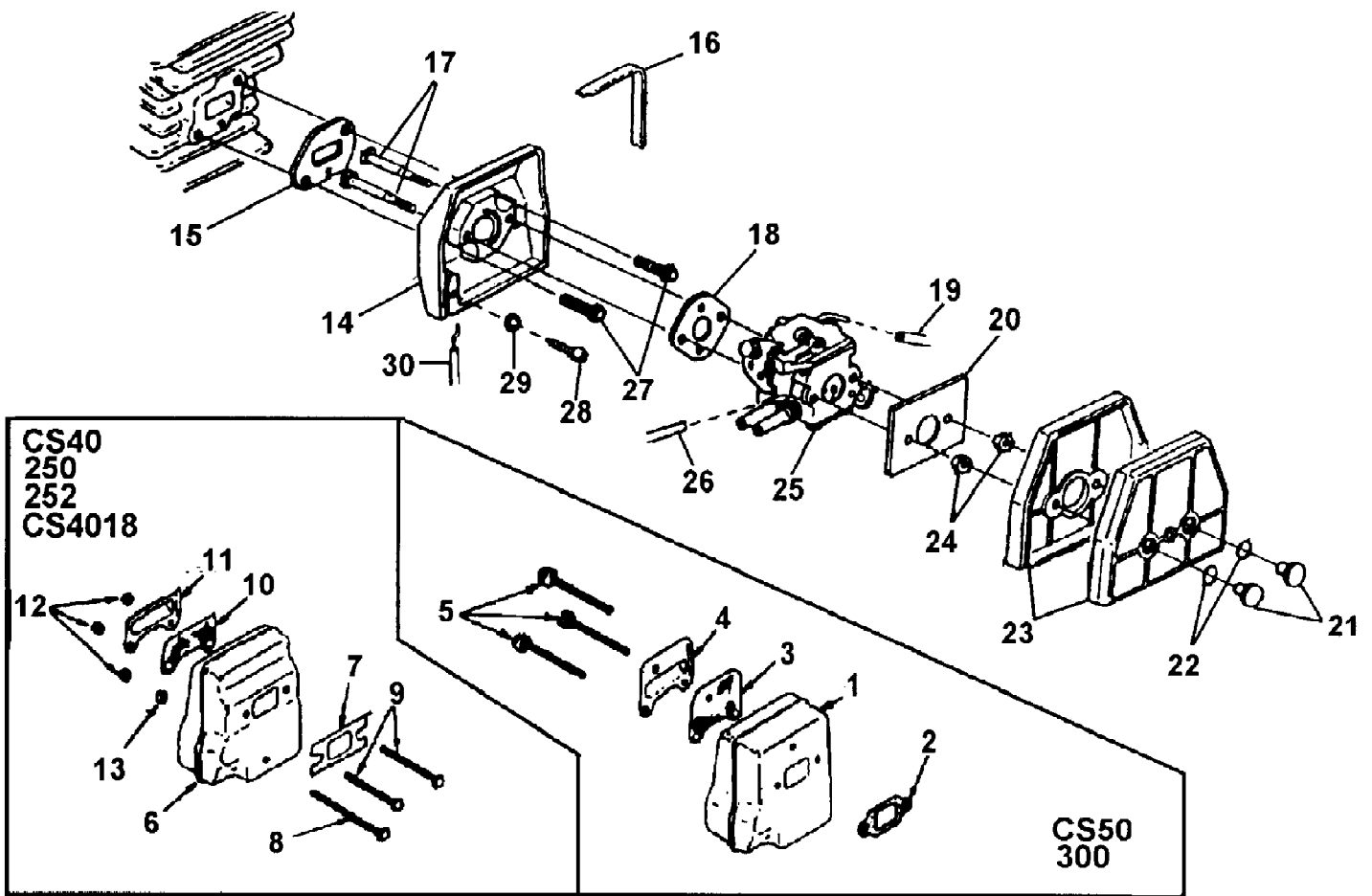


No  
Diagram  
Available  
  
Parts List  
Only

Ref #	Part Number	Qty	S/P/F	Description
	A02177	1		BUMPER SPIKE KIT
	7031099	1	S	RUBBER TUBING (10')
	18453	1	/P	GREASE-Multi-Purpose (Sprocket bearing-PT guide bar)
	98052A	1	/P	STARTING ROPE (250 ft. Reel)
	18416	1		DIGITAL TACHOMETER
	PT16321H6	1		GUIDE BAR, (power tip) (16")
	PT18321H6	1		GUIDE BAR, (power tip) (18")
	PT20321H6	1		GUIDE BAR, (power tip) (20")
	SP16321H6	1		GUIDE BAR, (sprocket tip) (16")
	SP20321H6	1		GUIDE BAR, (sprocket tip) (20")
	A70776B	1	/P	SAFE-T-TIP(R)
	94194	1	/P	COMPRESSION TESTER
	17789	1	S	CARBURETOR REPAIR TOOL
	24306	1	S	SHIM (.0125")
	18416	1		DIGITAL TACHOMETER
	18080	1	S	CLUTCH ASSEMBLY TOOL
	24823	1	S	SEALANT SILICON
	A24824	1	S	WRENCH (combination)
	2498202	1	/P	T-25 TORX DRIVE BIT
	22486	1		SHIM (0.015" AIR GAP)
	GP203225	1		TESTER (Spark Plug)
	A01182	1		CLUTCH SPANNER
	DIL7267AH	1		CHAIN (32-MD50-67) (16")
	DIL7273AH	1		CHAIN (32-MD50-73) (18")
	DIL7279AH	1		CHAIN (32-MD50-79) (20")

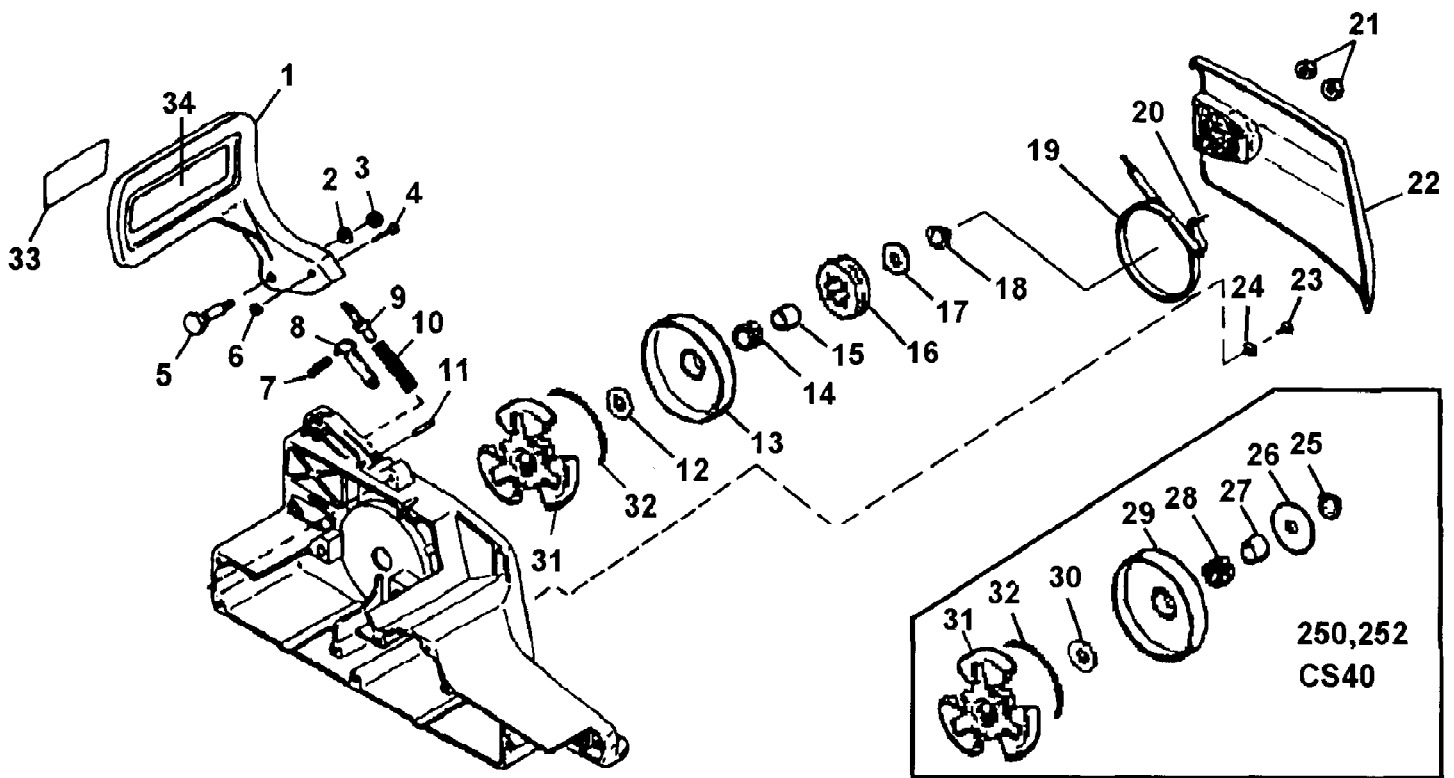


CS50 Chain Saw UT-10710-A  
Carburetor - Muffler

Page 4 of 17

Ref #	Part Number	Qty	S/P/F	Description
1	A06652	1	/P	MUFFLER - Complete Assembly
2	01729	1	S	GASKET Muffler
3	01733	1		SCREEN- Spark Arrestor
4	01734B	1		COVER- Exhaust
5	88058	3	/P	SCREW-Sems (10-24 x 2 1 /4)
6	A06631	1	S	MUFFLER - Complete NOT USED ON THIS MODEL
7	01543B	1		GASKET Muffler NOT USED ON THIS MODEL
8	02176	1		SCREW- Square Hd. (10-32 x 2 1/2) NOT USED ON THIS MODEL
9	02509	2		SCREW- Square Hd. (10-32 x 2 1 /4) NOT USED ON THIS MODEL
10	01532	1		SCREEN-Spark Arrestor NOT USED ON THIS MODEL
11	01531A	1		COVER- Exhaust NOT USED ON THIS MODEL
12	81206	3	S/P	NUT Locking (10-32) NOT USED ON THIS MODEL
13	84009	1	S	WASHER- Flat (#12) NOT USED ON THIS MODEL
14	A04512	1		SPACER- Carburetor Assembly
15	04508	1	/P	GASKET Carburetor Spacer
16	03141	1		FOAM- Adhesive
17	00905A	2		SCREW- Carburetor Retainer
18	98339	1	S/P	GASKET Carburetor
19	7031036	1	S	TUBING-Rubber (9")
20	02695	1		RETAINER PLATE
21	01178	2		RETAINER NUT Filter
22	02718	2	/P	"O" RING
23	A02582A	1	S	AIR FILTER
24	81009	2	/P	NUT Hex (8-32)
25	A03964	1		CARBURETOR (Zama C1Q-H27)
	A04481	1		CARBURETOR (Walbro WT282)
26	7031019	1	S	TUBING- Rubber (4 3/4")
27	82430	2		SCREW Mach. Hex Hd. (8-32 x 7/8")
28	82513	1	/P	SCREW Thread Form (6-19 x 5/8")
29	84123	1		WASHER Flat (#6)
30	00997D	1		CABLE Throttle

CS50 Chain Saw UT-10710-A  
Clutch & Chain Brake



CS50 Chain Saw UT-10710-A  
Clutch & Chain Brake

Page 6 of 17

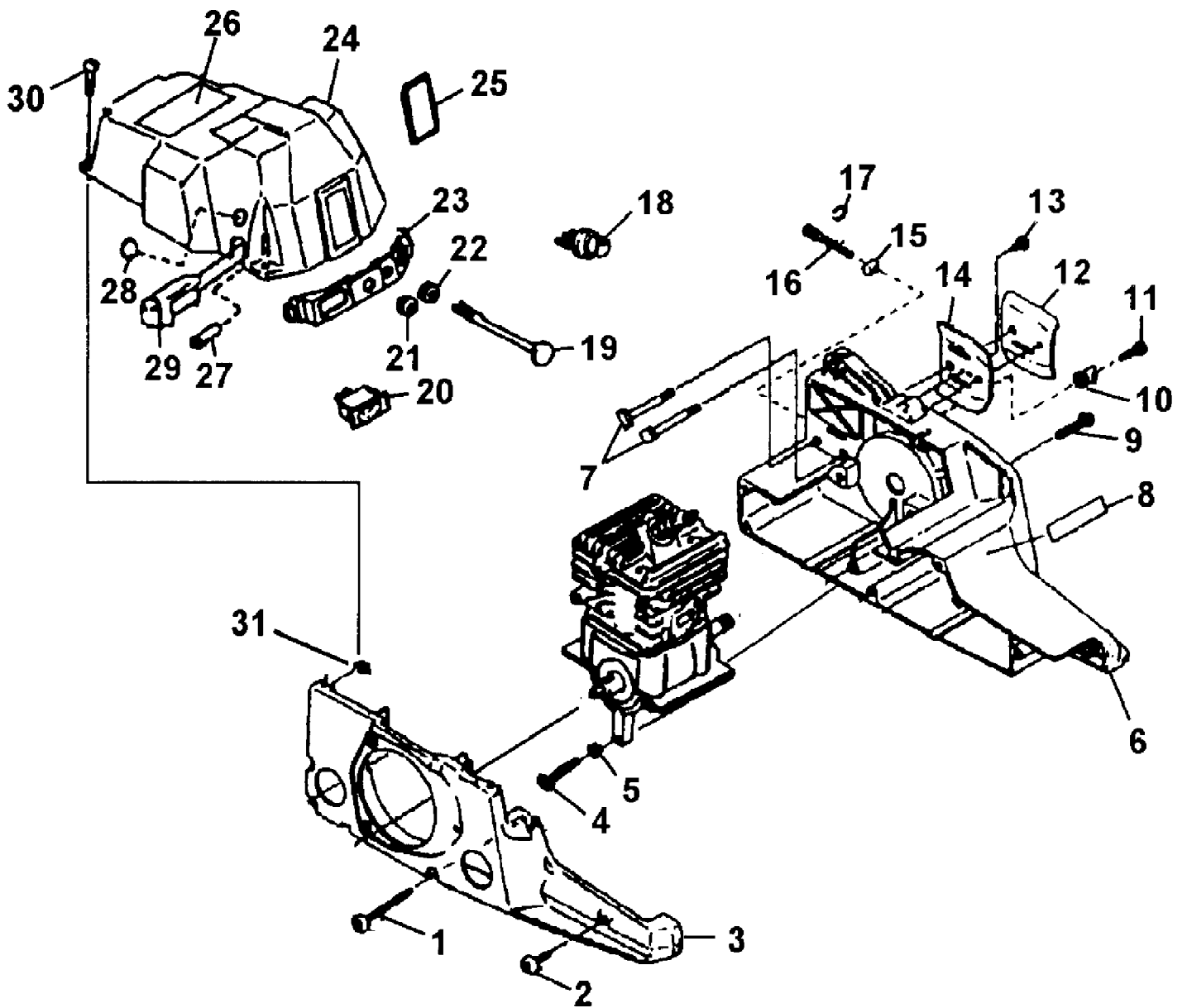
Ref #	Part Number	Qty	S/P/F	Description
1		1		GUARD, HAND NOT USED ON THIS MODEL
2		1		WASHER, BELLVILLE NOT USED ON THIS MODEL
3		1		NUT - (M5) NOT USED ON THIS MODEL
4		1		PIN NOT USED ON THIS MODEL
5		1		SCREW, SHOULDER NOT USED ON THIS MODEL
6		1		RING, RETAINER NOT USED ON THIS MODEL
7		1		SPRING, COIL NOT USED ON THIS MODEL
8		1		BRAKE LATCH ASSY NOT USED ON THIS MODEL
9		1		ADJUSTER, BRAKE NOT USED ON THIS MODEL
10		1		SPRING, COMPRESSION NOT USED ON THIS MODEL
11		1		PIN NOT USED ON THIS MODEL
12		1		WASHER, THRUST (INNER) NOT USED ON THIS MODEL
13		1		SPLINE & DRUM NOT USED ON THIS MODEL
14		1		BEARING, NEEDLE NOT USED ON THIS MODEL
15		1		RACE, INNER NOT USED ON THIS MODEL
16		1		SPROCKET, RIM (.325 X 7T) NOT USED ON THIS MODEL
17	65027	1		WASHER, THRUST
18	81255	1		NUT, HEX LOCK (3/8"-24)
19		1		BRAKE BAND ASSY NOT USED ON THIS MODEL
20		1		PIN, DOWEL NOT USED ON THIS MODEL
21	81196	2	S/P	NUT, HEX
22	A00226A	1	/P	COVER, DRIVE CASE
23		1		SCREW, THREAD FORM (#6) NOT USED ON THIS MODEL
24		1		RETAINER, BRAKE BAND NOT USED ON THIS MODEL
25	81255	1		NUT, HEX LOCK (3.8"-24)
26	65064	1		WASHER, THRUST
27	69423	1		RACE, INNER
28	64333	1		BEARING, NEEDLE
29	00996A	1	/P	SPROCKET & DRUM
30	65027	1		WASHER, THRUST
31	A00995	1	S	CLUTCH ASSY Assembly

CS50 Chain Saw UT-10710-A  
Clutch & Chain Brake

Page 7 of 17

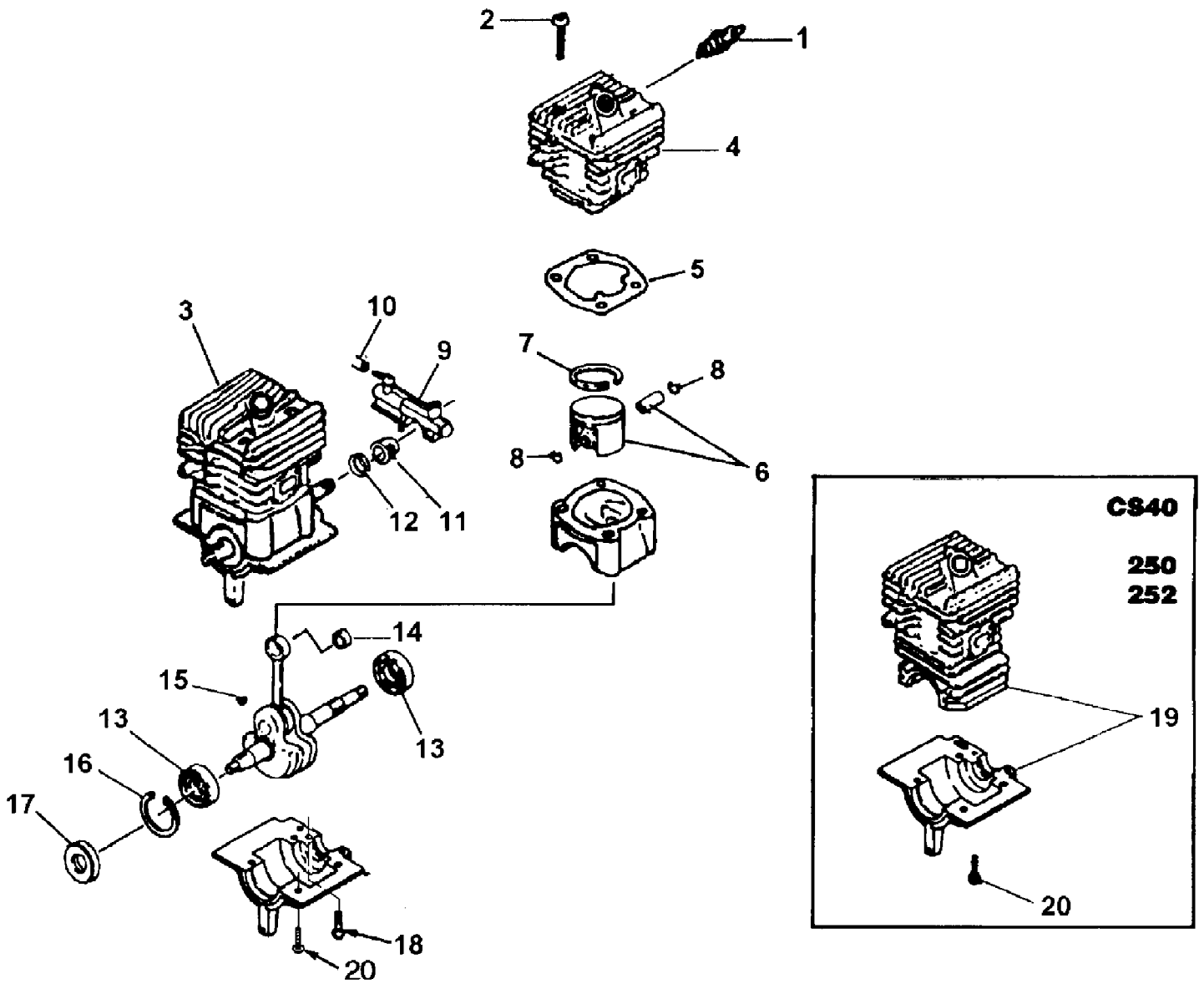
Ref #	Part Number	Qty	S/P/F	Description
32	98453	1	S	SPRING, CLUTCH
33		1		LABEL, KICKBACK NOT USED ON THIS MODEL
34	02661	1		DECAL, SAFETY

CS50 Chain Saw UT-10710-A  
Engine Housing

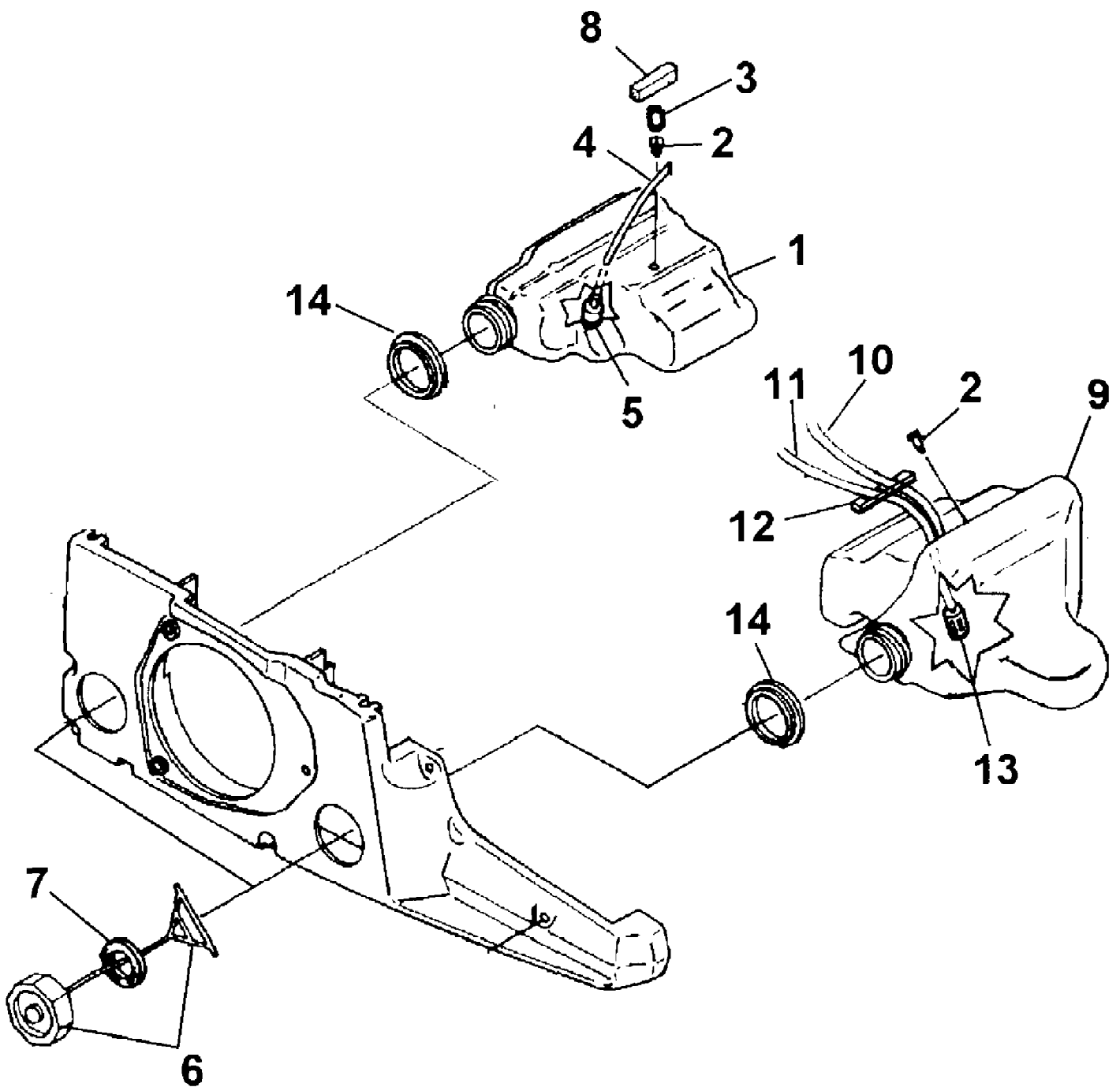




Ref #	Part Number	Qty	S/P/F	Description
1	82545	3		SCREW- Thread Form (8-16 x 1 3/4")
2	82546	4	S/P	SCREW- Thread Form. (8-16 x 5/8")
3	017151A	1	/P	HOUSING-Starter Side
4	82588	1		SCREW-Thread Form. (10-14 x 1 1/8")
5	83056	1		WASHER-Lock
6	A03720B	1	/P	HOUSING- Drive Side Assembly
7	03132	2	/P	BOLT Guide Bar
8	01805A	1	/P	DECAL- Panel
9	80864	2	/P	SCREW-Hex Hd. (12-24 x 1")
10	95212	1	/P	STOP- Chain
11	82537	1	/P	SCREW- Thread Form (10-14 x 7/8")
12	01170	1	S	PLATE- Guide Bar (Outer )
13	82513	1	/P	SCREW- Thread Form. (6-19 x 1/2")
14	98278	1		PLATE- Guide Bar (Inner)
15	651121	1	S	PIN- Adjusting
16	03139	1	S	SCREW- Guide Bar Adjusting
17	69599	1	/P	RING- Snap
18	01183	1	/P	BULB- Primer
19	01527A	1		ROD- Choke (UT10687-B)
20	01802	1	S	SWITCH- Ign.
21	69889	1	/P	BOOT Throttle Cable
22	64862	1	/P	GROMMET Choke
23	01169	1		PANEL Control
24	A04583	1	S	CYLINDER COVER Assembly
25	01173A	1		SCREEN- Air Inlet
26	02506	1		LABEL Warning
27		1		GROMMET - Carburetor NOT USED ON THIS MODEL
28		1		PLUG - Idle Speed NOT USED ON THIS MODEL
29	04373	1	S	GROMMET Carburetor
30	95792	3	/P	SCREW- Round Hd. (10-24 x .710)
31	70810	3	S	NUT Square (10-24)

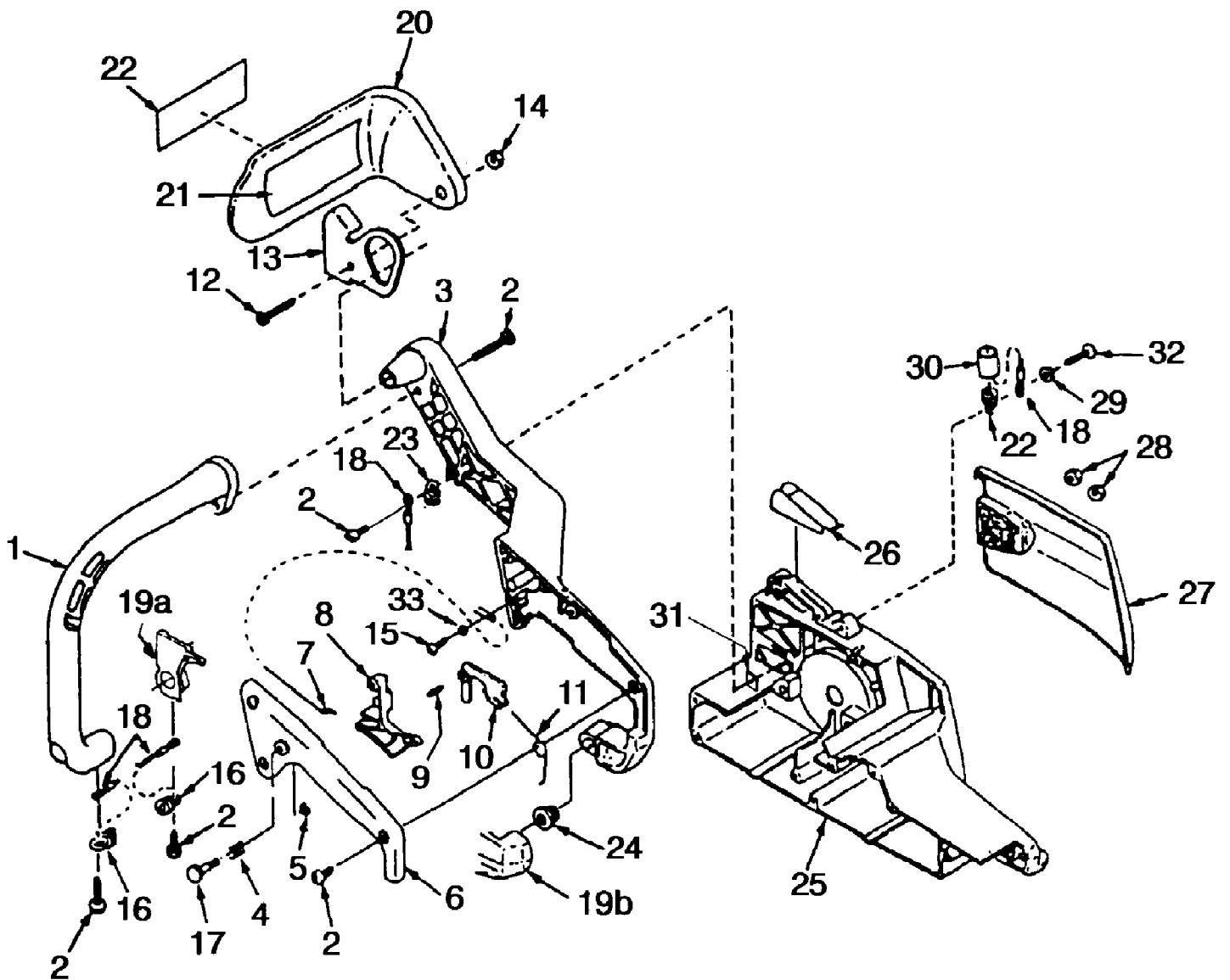


Ref #	Part Number	Qty	S/P/F	Description
1	98261S	1		SPARK PLUG (CJ6Y)
	98217S	1	/P	SPARK PLUG (RCJ6Y) (Intl.)
2	82568	4	S	SCREW-PAN Hd. (10-24 x .800)
3	A04511	1		SHORT BLOCK Assembly
4	A04513	1		CYLINDER & GASKET Assembly
5	02527	1		GASKET, CYLINDER
6	A03301	1		PISTON & PIN Assembly
7	02263A	2	S	RING, PISTON
8	64813	2	/P	RING, WRIST PIN RETAIN.
9	A02802A	1	S	OIL PUMP
10	02548	1		TUBING, OIL (TO GUIDE BAR)
11	00229	1		WORM GEAR, LEFT HAND
12	93858	1	S	SEAL, CRANKSHAFT
13	98797	2	/P	BEARING, BALL
14	70277	1	S	BEARING, NEEDLE
15	75078	1		WOODRUFF KEY
16	289221	1	/P	RETAINING RING
17	98197A	1	S	SEAL, SHAFT
18	82146	2	S	SCREW,OIL PUMP (8-32 X 5/8")
19	A02577C	1		CYLINDER & CRANKCASE NOT USED ON THIS MODEL
20	80891	4	/P	SCREW, Hex Hd. (12-24 X 7/8") NOT USED ON THIS MODEL

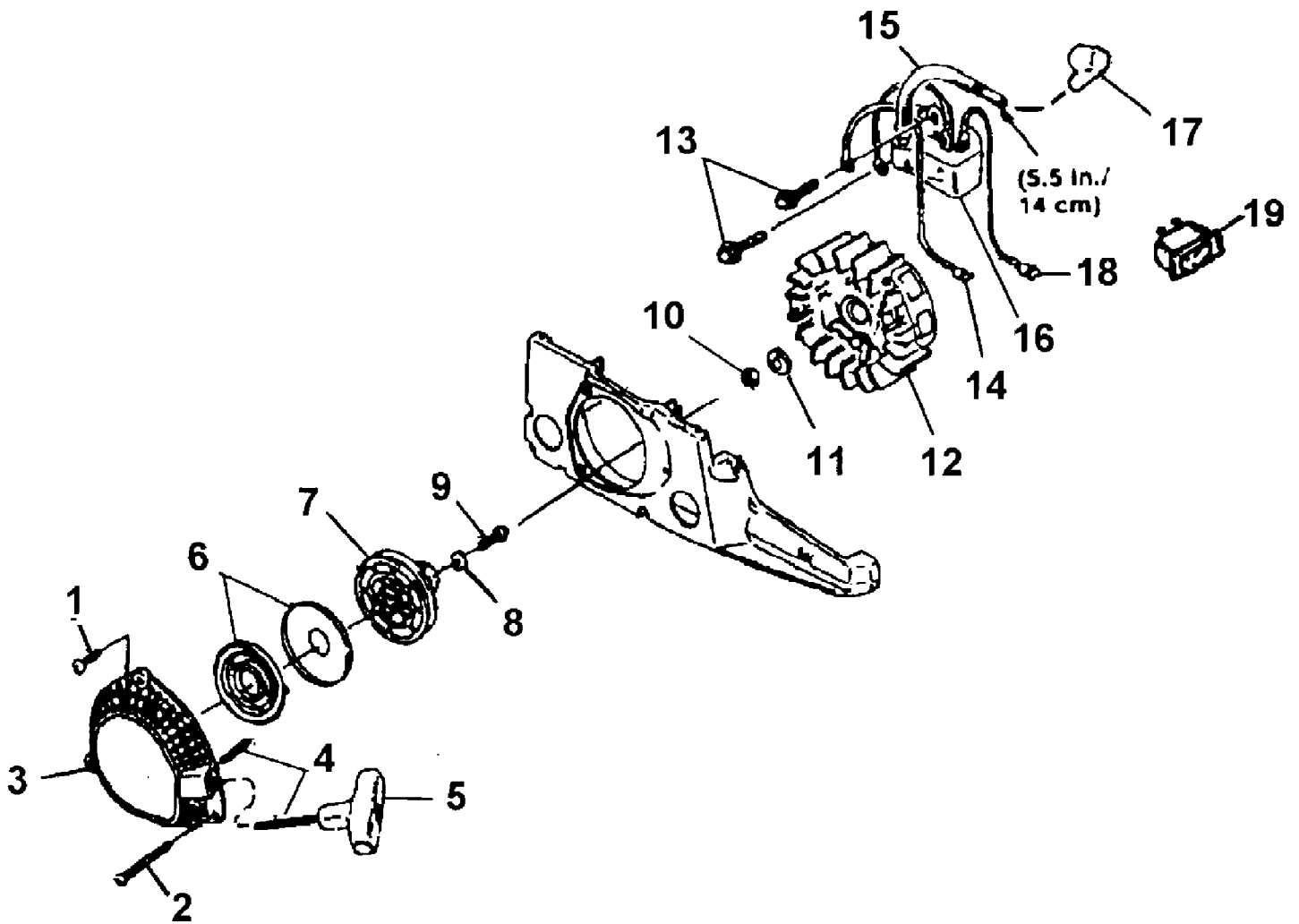


Ref #	Part Number	Qty	S/P/F	Description
1	A06636	1		OIL TANK ASSY Assembly
2	03134	1	S/P	VALVE-Check
3	03585	1		PIN-Spirol
4	7031029	1		TUBING- Rubber (7 1/4")
5	A68593	1		FILTER- Oil
6	A00904A	1	S	CAP- Tank (w/Retainer)
7	02762A	1	S	GASKET Fuel Cap
8	69443	1		FILTER- Oil Tank Valve
9	A06637	1	/P	FUEL TANK ASSY Assembly
2	03134	1	S/P	VALVE- Check
6	A00904A	1	S	CAP- Tank (w/Retainer)
7	02762A	1	S	GASKET Fuel Cap
10	7031021	1	S	TUBING-Rubber (5 1/4")
11	7031036	1	S	TUBING- Rubber (9")
12	02952	1		FILTER- Foam
13	49422	1	S	FILTER- Fuel
14	00993	2		SAWDUST SEAL

CS50 Chain Saw UT-10710-A  
Handles



Ref #	Part Number	Qty	S/P/F	Description
	A06633	1		HANDLE KIT Assembly
1	A01175	1		HANDLE BAR
2	82546	7	S/P	SCREW, Thread Form (8-16 X 5/8")
3	002091	1		HANDLE-Rear
4	95020	1	S	SPRING-Compression
5	58409	1	/P	RING, Retaining
6	00210C	1		COVER-Rear Handle
7	00997D	1		CABLE-Throttle
8	A03806A	1		TRIGGER & SWIVEL
9	70253	1		PIN-Dowel
10	93385A	1	/P	LOCK-Trigger
11	02316	1	/P	SPRING-Trottle
12	80402A	1	S	SCREW-Hex Cap
13	00258	1		MOUNTING BRACKET Handguard
14	81258	1	S	NUT Flange Hex
15	82513	1	/P	SCREW, Thread Form (#6-19 X 7/8")
16	01168	1		SPRING-Extension
17	95671	1	S	PIN-Throttle Lock
18	03583	2	S	RETAINER-Spring
19A		1		HOUSING-Starter Side NOT USED ON THIS MODEL
19B	01715-1A	1	S	HOUSING-Starter Side
20	A95088A	1		HANDGUARD Assembly
21	02661	1		DECAL-Kickback
22	00317A	1	/P	DECAL-Kickback
23	02813	1	S	SPRING-Extension
24	02508	2	S	ISOLATOR-Vibration
25	A03720A	1	S	ENGINE HOUSING-(Drive Side)
26	00234	1		COVER-Snap On
27	A00226	1	S	DRIVE CASE COVER
28	81196	2	S/P	NUT Hex (5/16"-18)
29	84008	1	S/P	WASHER-Flat (#10)
30	01813	1		SLEEVE-Spring
31	70810	1	S	NUT Square (#10-24)
32	82562	1	S	SCREW-Pan Hd. (#10-24 X 7/8")
33	84123	2		WASHER-Flat





CS50 Chain Saw UT-10710-A  
Starter - Ignition

Page 17 of 17

Ref #	Part Number	Qty	S/P/F	Description
1	82546	4	S/P	SCREW-Thread Form (8-16 x 5/8")
2	82566	1		SCREW Thread Form (8-16 x 2 1 /4)
3	A04778A	1	/P	STARTER - COMPLETE Assembly
4	9789901	1	/P	ROPE, STARTER (46")
5	02264	1	S	GRIP STARTER
6	A97908	1	/P	SPRING & CONTAINER
7	97768B	1	S	PULLEY
8	94062	1	/P	WASHER
9	82409	1	/P	SCREW Plastite (10-14 x 5/8")
10	81124A	1	/P	NUT, JAM
11	83102	1	/P	WASHER LOCK (3/8)
12	A00994B	1	S	ROTOR & STARTER PAWLS
13	88052	2	/P	SCREW, Sems Hex Hd. (10-24 x 7/8"
14	A01821A	1		IGNITION GROUND WIRE
15	95098	1		SLEEVE, Insulating
16	A01546	1		IGNITION MODULE
17	A02597	1		SPARK PLUG BOOT KIT
18	A01822	1		IGNITION WIRE
19	01802	1	S	SWITCH