

ILLUSTRATED PARTS LIST

PART NO. 17151
Printed in U.S.A.
Price .35¢

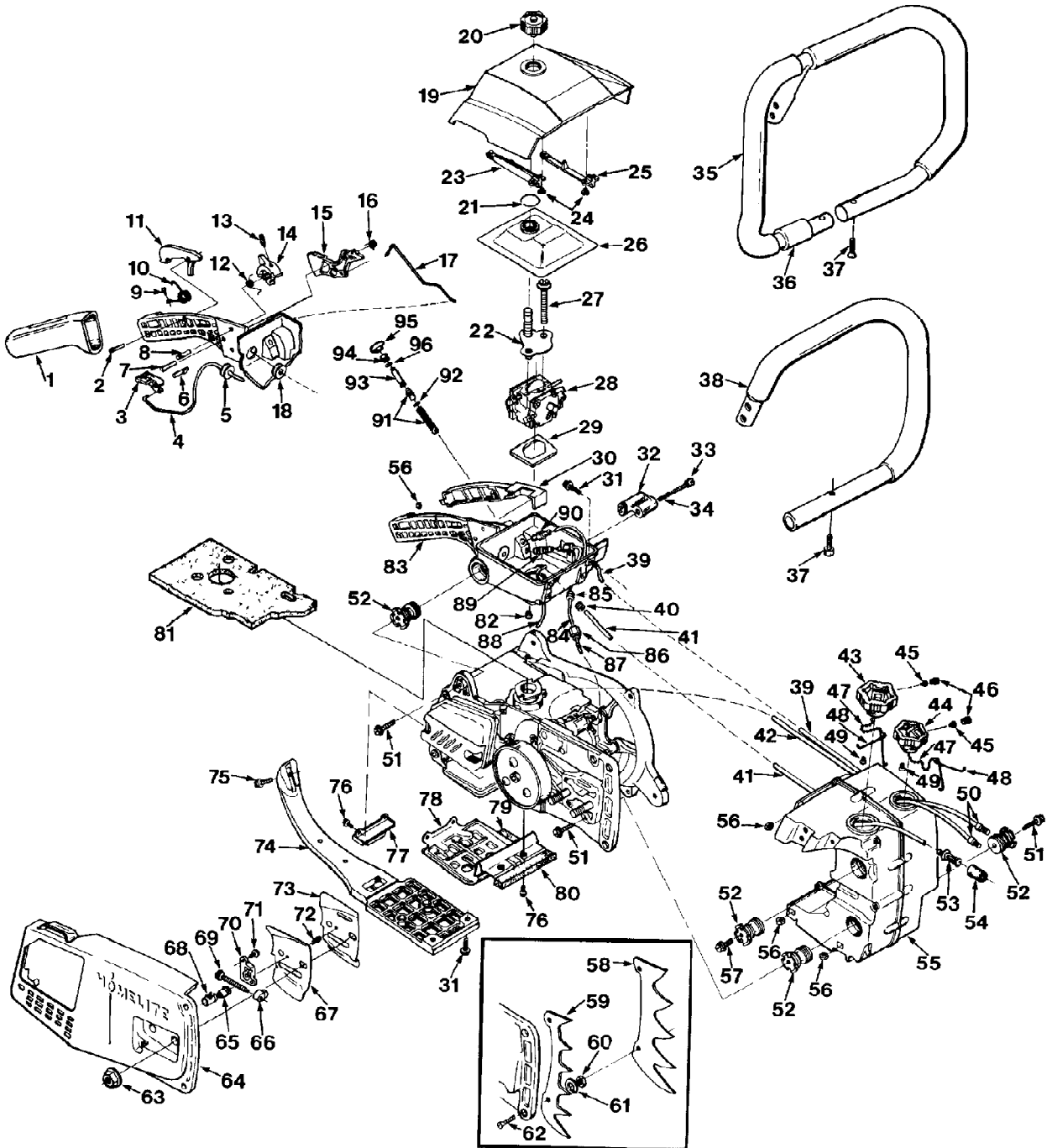


HOMELITE **TEXTRON**

Homelite Division of Textron Inc

**550
550W
550SL**

FIG. 1



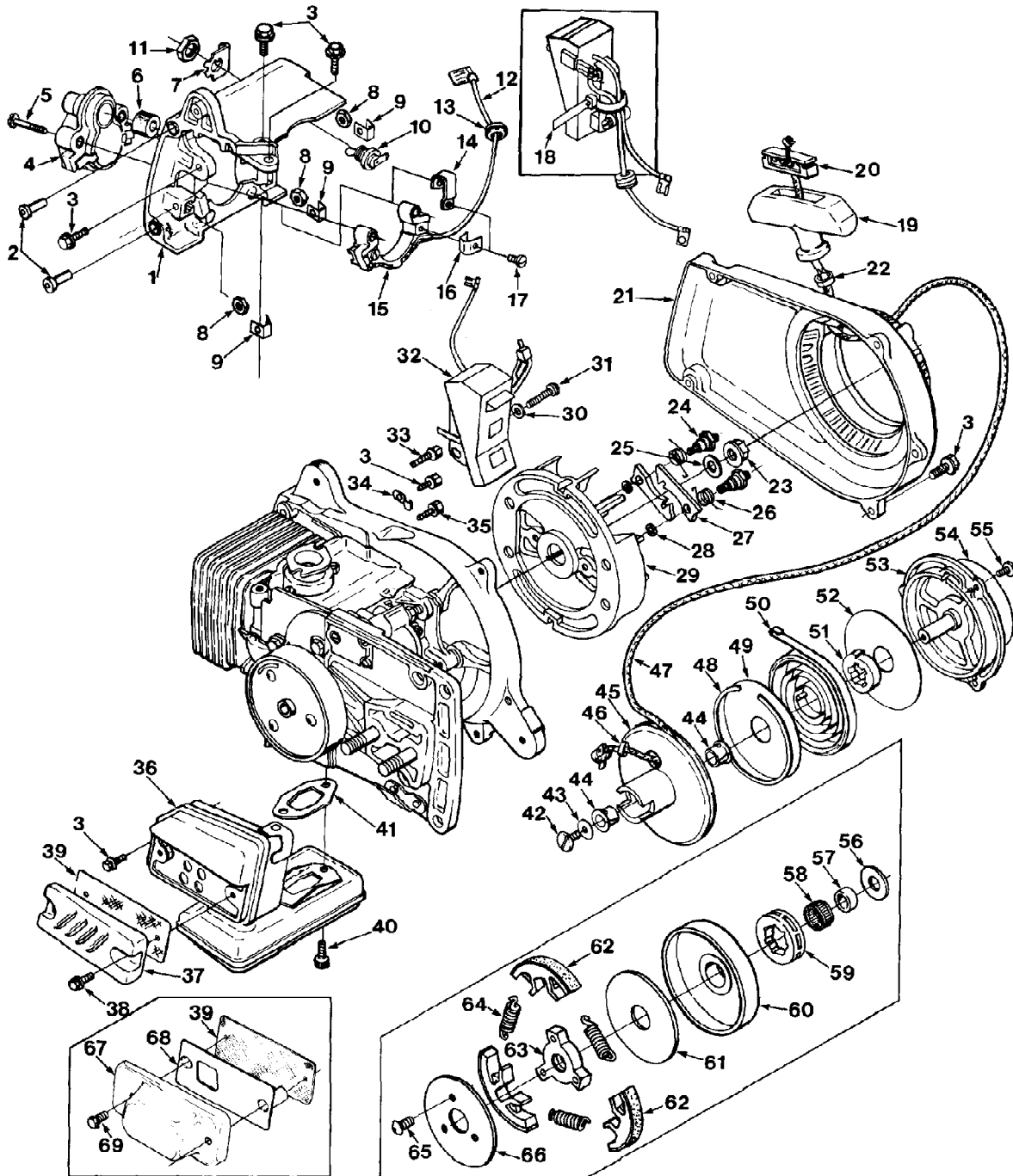
**550
550W
550SL**

No.	Description	Part No.	Qty.
1	GRIP	70019-1A	1
2	PIN- Groove	12462	1
3	LEVER- Choke	12620	1
4	ROD- Choke	12349	1
5	BOOT- Choke rod	58348	1
6	PIN- Groove, choke	12423	1
7	PIN- Trigger	68548	1
8	PIN- Groove, throttle latch	12461	1
9	SCREW- Drive	80001	1
10	SPRING	12457	1
11	LOCKOUT	12330	1
12	SPRING- Torsion, throttle latch	12454	1
13	SCREW- Set (starting speed adj.)	12440	1
14	LATCH- Throttle	12464-1	1
15	TRIGGER- Throttle	12352	1
16	SPRING- Throttle trigger	12441	1
17	ROD- Throttle	12350	1
18	BOOT- Throttle rod	67634	1
19	COVER- Air filter	A-70057-B	1
	Includes:		
20	NUT- Air filter cover	A-67639-2	1
21	RING- Retaining	58319-A	1
22	BRACKET- Cover mounting	A-93297	1
23	INSERT- Air filter cover (solid)	12433	1
24	SCREW- Pan, 8-32 x 1/4"	80575	2
25	INSERT- Air inlet (notched)	12990	1
26	FILTER ELEMENT- Air	94106	1
27	SCREW- Hex, Sems, 10-24 x 2 21/64"	70027	2
28	CARBURETOR (SDC-69A)	A-93964-B	1
29	SPACER- Carburetor	12340	1
30	COVER- Throttle handle	12351	1
31	SCREW- Hex, Sems 10-24 x 5/8"	88050	6
32	GROMMET- Carburetor adjustment	68196	1
33	SCREW- Idle speed adjustment	12783	1
34	SPRING- Idle speed screw	12784	1
35	HANDLE BAR- Full wrap-around (550W)	A-93933	1
	Includes:		
36	BUSHING	69187	1
37	SCREW- Soc hd. 10-24 x 1"	82246	4
38	HANDLE BAR- Flush-cut (550, 550SL)	A-94077	1
39	TUBING- 11 1/4" (manual oiler pick-up)	93112-45	1
40	GROMMET- Fuel line	68046	1
41	TUBING- (fuel pick-up) 10 1/2"	94772-42	1
42	TUBING- 10 1/4" (auto. oiler pick-up)	93112-41	1
43	CAP- Fuel filler (with 69501 Gasket)	A-69500-A	1
44	CAP- Oil Filler (with 12126 Gasket)	A-12222	1
	Items #43 & 44 include:		
45	VALVE- Check (duck bill)	69451	1
46	FILTER- Porous metal	69454	1
47	CHAIN- Bead	69502	1
48	RETAINER	69503	1
49	SCREW- Pan hd. 6 x 1/4"	82256	1
50	FILTER- Oil	A-64293	2
51	SCREW- Hex, Sems 10-24 x 3/4"	88051	4

No.	Description	Part No.	Qty.
52	ISOLATOR- Vibration	A-70421-A	5
53	FILTER- Fuel	A-59251	1
	Includes:		
54	FILTER- Felt	59253-1	1
55	TANK- Fuel & Oil	A-12395-3B	1
56	NUT- Hex, 10-24 gripco	81208	9
57	SCREW- Hex, Sems 10-24 x 1/2"	88049	1
58	PLATE- Spiked bumper (550W)	A-12481-B	1
59	PLATE- Spiked bumper (550, 550SL)	A-12480-B	1
	Items #58 & 59 include:		
60	NUT- Hex 12-24	81068	2
61	WASHER- Lock #12	70901	2
62	SCREW- Pan, 12-24 x 1/2"	80963	2
63	NUT- Hex, flange 3/8-16	12860	2
64	COVER- Drivecase (550, 550W)	A-12334-1	1
	NOTE: See Figure 4 for 550SL D'case		
	Includes:		
65	ADJUSTER- Guide bar	A-70694	1
66	PIN- Guide bar adjuster	93039	1
67	PLATE- Guide bar (outer)	70400	1
68	BUSHING	70693	1
69	SCREW- Adjuster	A-12746	1
70	COVER- Gear	12134	1
71	SCREW- Pan, 6-32 x 3/8"	80571	2
72	SCREW- Truss hd. 6-32 x 3/8"	80548	1
73	PLATE- Guide bar (inner)	70399	1
74	BRACE- Throttle handle	12346-2A	1
75	SCREW- Hex, Sems, 10-24 x 7/8"	88052	1
76	SCREW- Hex, Sems, 8-32 x 3/8"	88041	4
77	SNUBBER- Rear	A-12803-A	1
78	SHIELD- Muffler	A-70255	1
	Includes:		
79	SEAL	70377	1
80	CUSHION	70378	1
81	HEAT ISOLATOR	94566	1
82	BUMPER	12096	2
83	HANDLE- Throttle	A-70053-C	1
	Includes:		
84	LINE- Oil	A-70267	1
	Includes:		
85	GROMMET	53312-1	1
86	NUT	25302	1
87	SLEEVE	25301	2
88	LINE- Pulse 3 1/4"	93157-13	1
89	VALVE- Outlet check	A-65077	1
90	VALVE- Inlet check	A-12987	1
91	PLUNGER- Manual oil pump	A-67235-A	1
	Includes:		
92	"O" RING	58406	1
93	ROD- Plunger	A-94094	1
	Includes:		
94	NUT- Plunger	65082	1
95	BUTTON- Manual oiler	65084	1
96	"O" RING	59074	1

**550
550W
550SL**

FIG. 2

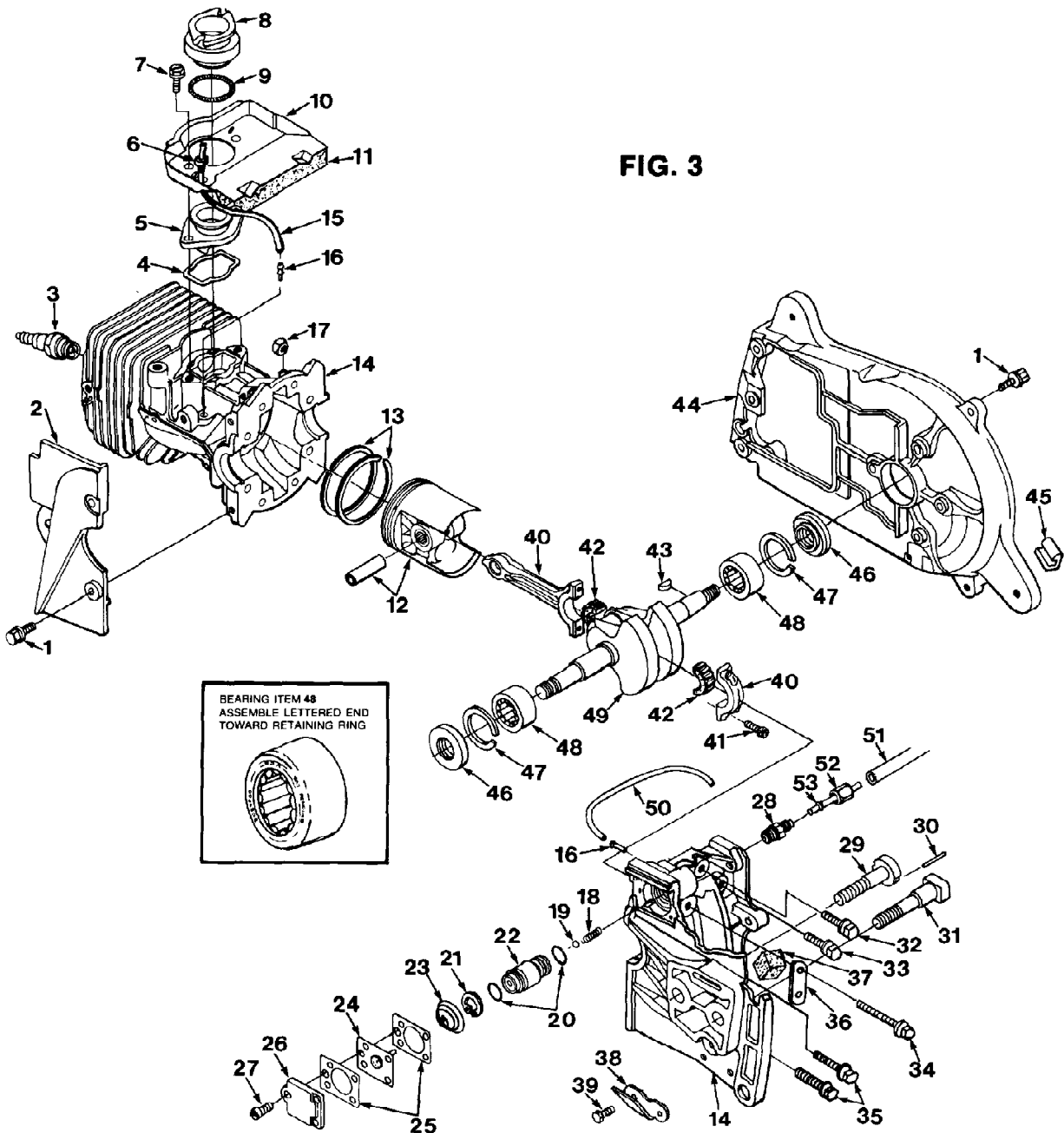


**550
550W
550SL**

No.	Description	Part No.	Qty.
1	SHIELD- Cylinder Includes:	A-12406-A	1
2	BUSHING- Nylon	12993	2
3	SCREW- Hex Sems 10-24 x 5/8"	88050	10
4	TRANSFORMER Includes:	A-12299-A	1
5	SCREW- Hex washer hd.	70068	2
6	GROMMET	12191	1
7	PLATE- Indicating	12793-A	1
8	NUT- Hex centerlock 10-24	81208	3
9	RETAINER- Nut	12689	3
10	SWITCH- Toggle Includes:	A-12449	1
11	NUT- Hex	72084-A1	1
12	LEAD- Module	A-12719	1
13	GROMMET	68279	1
14	CONTACT- Ground	70720	1
15	RECEPTACLE- Transformer	A-70088	1
16	CONTACT- Transformer	12788	2
17	SCREW- Pan hd., plastite #6 x 3/8"	82215	2
18	TIE- Cable	12298	1
19	GRIP- Starting rope Includes:	A-69962-A	1
20	INSERT- Rope retaining	70018-A	1
21	HOUSING- Starter Includes:	A-12960	1
22	BUSHING- Starter Rope	67177	1
23	NUT- 3/8-24	81233	1
24	STUD- Shoulder	93079	2
25	WASHER- Flat 3/8" I.D.	84099	1
26	SPRING- Starter pawl	65375	2
27	PAWL- Starter	64442-B	2
28	WASHER- Lock starter pawl	83056	2
29	ROTOR	70924	1
30	WASHER- Flat #8	84101	2
31	SCREW- Hex Sems 8-32 x 1.25"	88045	2
32	MODULE & CORE	12669-A	1
33	SCREW- Hex Sems 10-24 x 7/8"	88052	1
34	CLIP- Wire	12896	1
35	SCREW- Hex Sems 10-24 x 3/4"	88051	1
36	MUFFLER	A-12411-1D	1
37	CAP- Muffler exhaust	12399-1	1

No.	Description	Part No.	Qty.
38	SCREW- Hex Sems 8-32 x 3/8"	88041	2
39	ARRESTOR- Spark (STD on 550W only)	A-93897-A	1
40	SCREW- Cap hex soc 1/4-20 x 5/8"	82302	2
41	GASKET- Muffler	94760	1
42	SCREW- Pan 10-24 x 1/2"	82216	1
43	WASHER- Retaining	12789	1
44	BUSHING- Starter post	12639	2
45	PULLEY- Starter Includes:	A-70199	1
46	WASHER- Nylon	93862	1
47	ROPE- Starter	A-93875	1
48	RING- Shield retaining	63875	1
49	SHIELD- Spring (inner)	12321-B	1
50	SPRING- Rewind	12324	1
51	LOCK- Rewind spring	12455	1
52	SHIELD- Spring (outer)	12320-A	1
53	COVER- Starter housing	A-70726-1	1
54	DECAL- 550	93085	1
55	SCREW- Pan hd. 8-32 x 1/2"	82254	3
56	WASHER- Thrust (inner) (for rim sprocket only)	63462	1
57	RACE- Inner	64129-A	1
58	BEARING- Roller	64124	1
59	SPROCKET- 7 spline 7T - 3/8" pitch	63284	1
60	DRUM & HUB	A-94117	1
61	WASHER- Thrust	93650	1
62	SHOE- Clutch	A-94126	3
63	SPIDER- Clutch	93811	1
64	SPRING- Clutch	93814-A	3
65	SCREW- Torx	93126	3
	SCREW- Mach. pan hd. 8-32 x 3/8" (alternate)	82253	3
66	COVER- Clutch	93628	1
67	CAP- Muffler (downdraft) (accessory) Includes:	A-70038	1
68	PLATE- Baffle	12460	1
69	SCREW- Hex Sems 8-32 x 5/8	88043	2
ACCESSORIES			
	SPROCKET & DRUM (7T-3/8" pitch)	A-94116	
	WASHER- Thrust (spur sprocket only)	63463	

**550
550W
550SL**



**550
550W
550SL**

No.	Description	Part No.	Qty.
1	SCREW- Hex, Sems 10-24 x 5/8"	88050	7
2	SHIELD- Sawdust	12338-2	1
3	SPARKPLUG DJ-6J	65130-S	1
	SPARKPLUG CJ4 (optional)	69027-S	1
4	GASKET- Intake manifold	12314-B	1
5	MANIFOLD- Intake	12313	1
6	GROMMET	64862	1
7	SCREW- Hex Sems 10-24 x 1/2	88049	2
8	CONNECTOR- Carburetor	12348-A	1
9	SPRING- Garter	12405	1
10	DEFLECTOR- Air	A-70379	1
	Includes		
11	SEAL	70377	1
12	PISTON & PIN	A-93995	1
	Includes		
13	PISTON RING	12911	2
14	CRANKCASE & CYLINDER	A-70658-1B	1
	Includes		
15	LINE- Pulse (3 25 long)	93157-13	1
16	FITTING- Tube	69833	2
17	NUT- Hex, 10-24 Gripco	81208	8
18	SPRING- Check valve	68570	1
19	BALL- Check valve	60051	1
20	"O" RING	74388	2
21	RING- Retaining	12996	1
22	BODY- Automatic oil pump	A-94235	1
23	SPRING- Oil pump	94634	1
24	PLUNGER- Oil pump	A-12356-B	1
25	GASKET	69244-1	2
26	COVER- Oil pump	69224-2C	1
27	SCREW- Pan hd 6-32 x 3/8	80571	3
28	FITTING- Straight	31733-1	1
29	BOLT- Guide bar	70958	1
30	PIN- Dowel	59751	1
31	BOLT- Guide bar	12397	1
32	SCREW- Hex Sems 10-24 x 1 1/4"	88054	1
33	SCREW- Hex Sems 10-24 x 1 3/8"	88055	4
34	SCREW- Hex Sems 10-24 x 2"	88057	1
35	SCREW- Hex SEMS 10-24 x 1"	88053	2
	GASKET- Muffler (Not shown)	94760	1
36	CLAMP-	70615	1
37	FILTER (to cover pump vent hole)	70964	1
38	STOP- Chain	70705	1
39	SCREW- Hex Sems 8-32 x 1/2"	88042	2
40	ROD- Connecting	A-70300-1B	1
	Includes		
41	SCREW- Soc, hd cap	69919	2
42	BEARING- Caged	A-70793	1
43	KEY- Woodruff	75078	1
44	PLATE- Back	A-12938-C	1
	Includes		
45	SNUBBER	12928	1
46	SEAL- Main	12306	2
47	RING- Retaining	12310	2
48	BEARING- Roller (main)	63195	2
49	CRANKSHAFT	70299-2A	1
50	LINE- Flexible (auto oiler pick-up)	93112-41	1
51	LINE- Oil	A-70267	1
	Includes		
52	NUT- Compression	25302	2
53	SLEEVE- Compression	25301	1
	GROMMET (Not shown)	53312-1	1

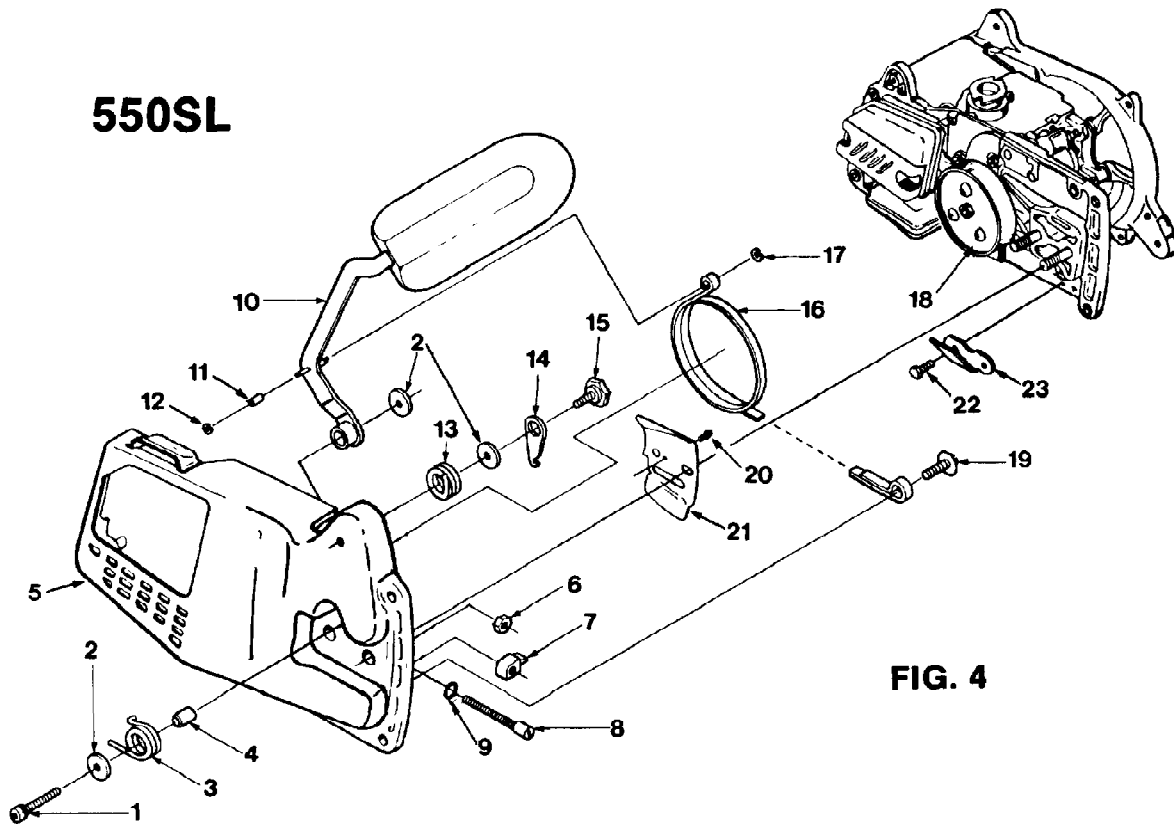


FIG. 4

No.	Description	Part No.	Qty.
	KIT- Chain brake	A-93916	1
	Includes		
1	SCREW- Soc cap hd	80428-1	1
2	WASHER	93282	3
3	SPRING- Brake lever	93603	1
4	SLEEVE- Lever	93296	1
5	COVER- Drivecase	A-93969-A	1
	Includes		
6	NUT- Centerlock	81204	1
7	PIN- Guide bar adjusting	93039	1
8	SCREW- Guide bar adjusting	94563	1
9	"O RING"	59074	1
10	LEVER- Brake w/guard	A-93775-A	1
	Includes:		
11	BEARING- Roller	93625	1
12	"E" RING	70925	1
13	SPRING- Locking lever	93600	1
14	LEVER- Locking	93602	1
15	SCREW- Shoulder	93773	1
16	BRAKE BAND	A-94560	1
	Includes		
17	"E" RING	69599	1
18	DRUM & HUB	A-94117-2	1
19	SCREW- Pan hd 1/4-20 x 5/8	82258	1
20	SCREW- Truss hd 6-32 x 3/8	80548	1
21	PLATE- Guide bar	70400	1
22	SCREW- Hex hd Sems 8-32 x 1/2"	88042	2
23	STOP- Chain	70705	1

**550
550W**

No.	Description	Part No.	Qty.
1	KIT- Hand guard Includes	A-93968	1
2	WASHER- Flat	94867	1
3	SCREW- Shoulder	93914	1
4	WASHER- Belleville	70788	1

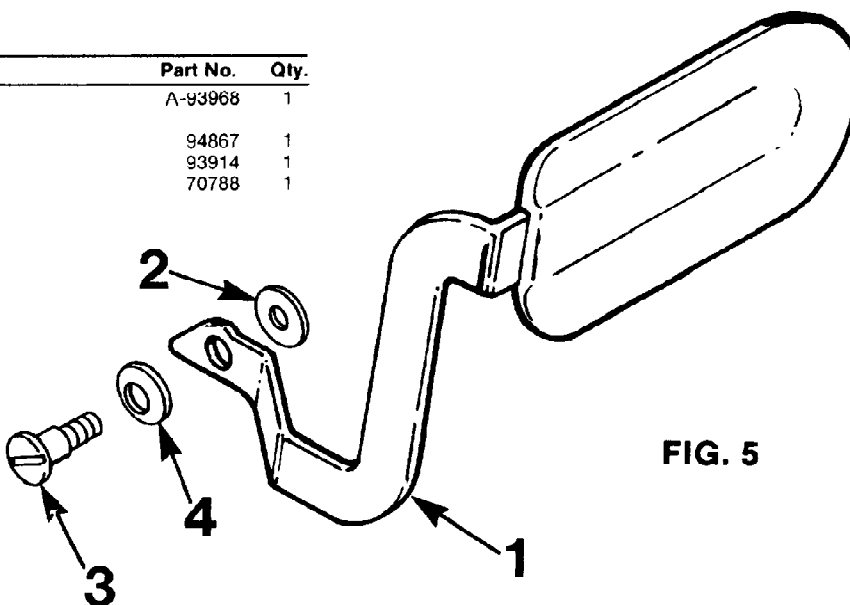


FIG. 5

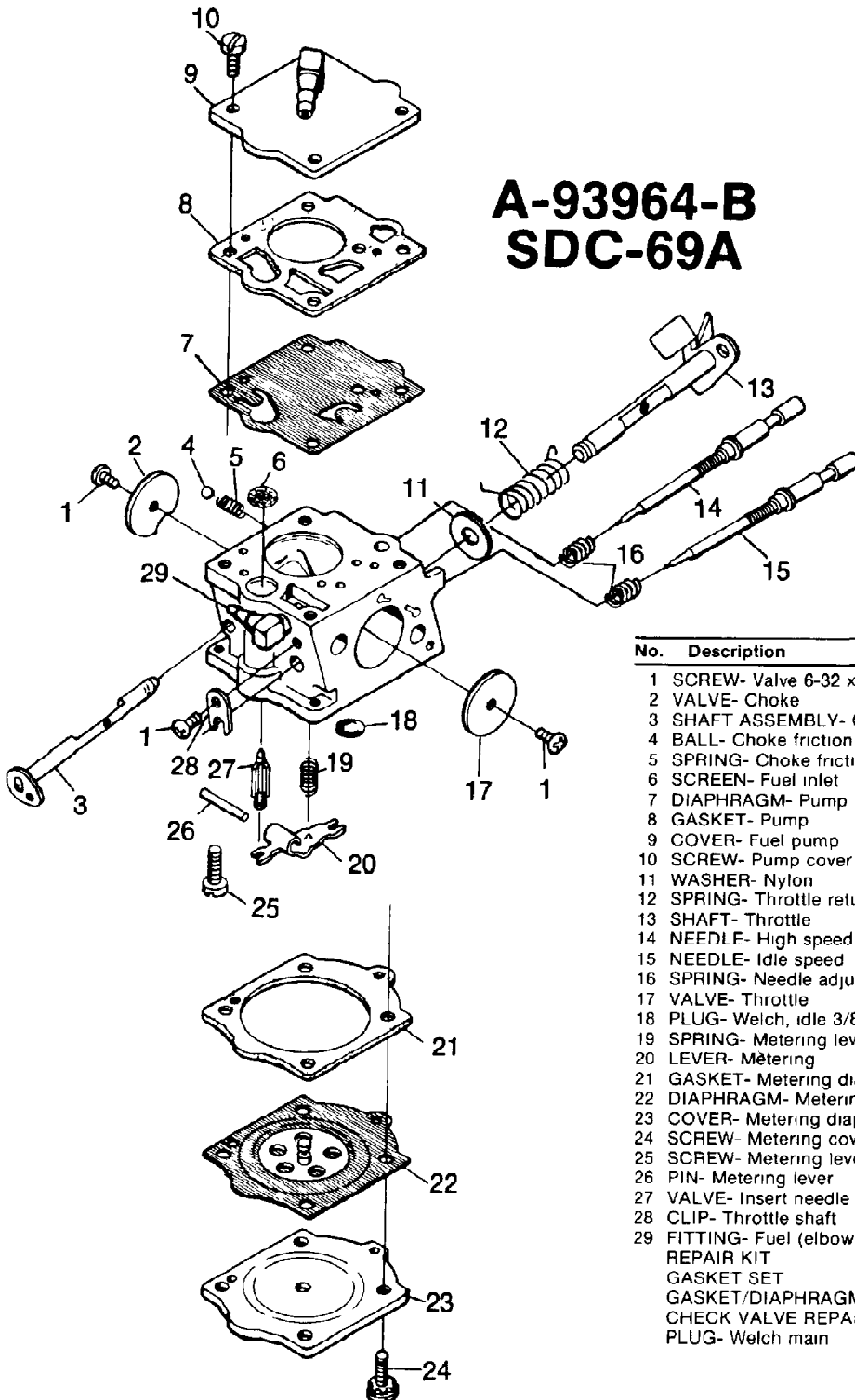
NOT SHOWN		
KIT- Hand guard (right)	A-12267-A	1
Includes		
SCREW- Hex soc , 10-24 x 3/8	82275	2
NUT- Centerlock	81208	2
WASHER	84003-1	2
EXCHANGER- Heat (accessory)	A-94983	1
Includes		
INSERT- Air filter cover	12990	1
SCREW- Hex Sems8-32 x 1/2"	88042	4
NUT- Hex, centerlock 8-32	81223	2

NOTE Heat Exchanger will not be available until Fall 1979

**550
550W
550SL**

**A-93964-B
SDC-69A**

FIG. 6



No.	Description	Part No.	Qty.
1	SCREW- Valve 6-32 x 3/16"	* 64693	3
2	VALVE- Choke	12921-A	1
3	SHAFT ASSEMBLY- Choke	12920-A	1
4	BALL- Choke friction	* 60051	2
5	SPRING- Choke friction	* 64238	2
6	SCREEN- Fuel inlet	* 64243	1
7	DIAPHRAGM- Pump	+ 64233	1
8	GASKET- Pump	+ 67008	1
9	COVER- Fuel pump	70040	1
10	SCREW- Pump cover	64694	4
11	WASHER- Nylon	70734	1
12	SPRING- Throttle return	* 67006	1
13	SHAFT- Throttle	70823	1
14	NEEDLE- High speed	* 70794	1
15	NEEDLE- Idle speed	* 12923-A	1
16	SPRING- Needle adjustment	* 64236	2
17	VALVE- Throttle	12919	1
18	PLUG- Welch, idle 3/8"	* 30818	1
19	SPRING- Metering lever	* 94125	1
20	LEVER- Metering	* 64245	1
21	GASKET- Metering diaphragm	+ 64231	1
22	DIAPHRAGM- Metering	+ 64235	1
23	COVER- Metering diaphragm	64224	1
24	SCREW- Metering cover	64689	4
25	SCREW- Metering lever pin	* 64688	1
26	PIN- Metering lever	* 64244	1
27	VALVE- Insert needle	* 64229	1
28	CLIP- Throttle shaft	74981	1
29	FITTING- Fuel (elbow)	69365	1
	REPAIR KIT	94275	1
	GASKET SET	67019	1
	GASKET/DIAPHRAGM KIT	* 70811	1
	CHECK VALVE REPAIR KIT	93910	1
	PLUG- Welch main	* 65482	1

* indicates contents of Repair Kit
+ indicates contents of Gasket/Diaphragm Kit

**550
550W
550SL**

ACCESSORIES AND TOOLS

ACCESSORIES

Compound (DC4) Silicone Grease for transformer spring	22636-A
Adhesive (14 gram tube) cylinder shield bushing and bumper in back plate	70627
Starter Rope- 250 ft. reel -#5	57084-1
Tubing, Rubber- 10 ft. -fuel & oil	93112-99
Tubing, Rubber- 10 ft. -pulse line	93157-99
Tubing, Rubber- 10 ft. -fuel pick-up	94772-99
Sprocket & Drum (SL units only) (Spur type)	A-94116-2
Silastic- for cylinder flange, muffler gasket and muffler screws.	24823

TOOLS

Bit, Torx- (drive with 1/4" socket-clutch plate screws)	17115-01
Bit, Torx- (drive with 5/16" socket-clutch plate screws)	17115-02
C.D. Test Lamp-Ignition check	A-24994
Key, Hex- Connecting Rod	23528
Puller, Rotor	A-24290
Screwdriver (550/550SL) use to drive 68651 wrench	24541
Shim- Yellow .020 -Rotor Air Gap	24853
Sleeve- Seal -crankshaft assembly	23759
Tool & Plunger -Piston Pin assembly and removal	A-24871
Tool, Clutch Removal --3 shoe lined	A-17146
Wrench, Combination (550W) -Guide bar nuts	A-24284
Wrench, Socket -Spark plug	68651
Key, Hex 3/16" for muffler screws-use with 68651 wrench	94624
Wrench, Combination (will supersede 94624 in Fall 1979)	17302

197274

HOMELITE **TEXTRON**

Homelite Division of Textron Inc.