

No
Diagram
Available

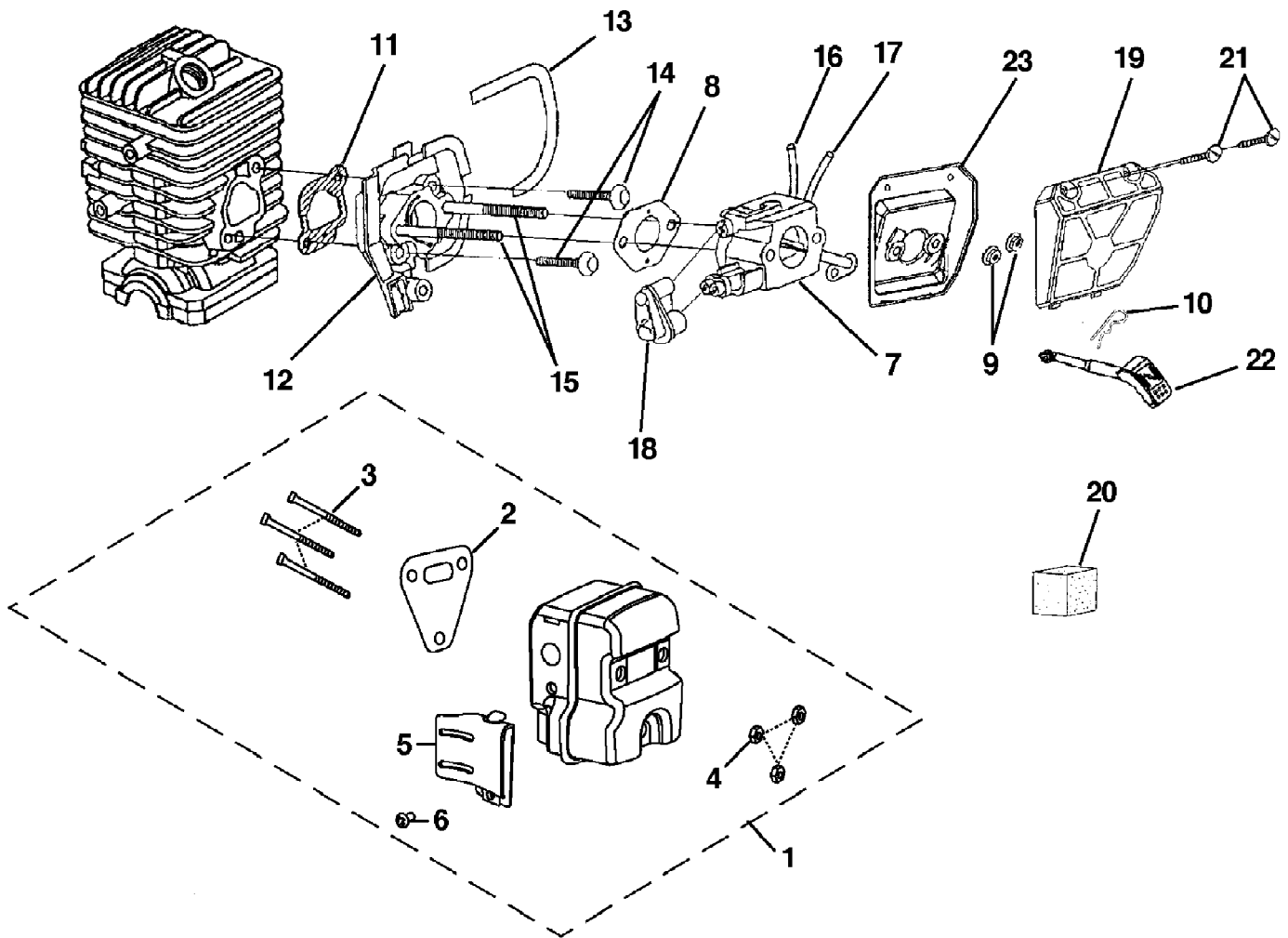
Parts List
Only

33cc 16" Chain Saw UT-10947-E
Accessories

Page 2 of 14

Ref #	Part Number	Qty	S/P/F	Description
	PS06330	1		Guide Bar Part Number
	PS06331	1	/P	Guide Bar Part Number
	PS06338	1		Guide Bar Part Number
	PS06328	1		Chain Part Number
	PS06329	1	S	Chain Part Number
	PS06285	1	S/P	Chain Part Number
	PS24823	1	/P	SEALANT SILICON
	0745434	1	/P	RUBBER TUBING
	09207	1	/P	WRENCH - COMBINATION
	18416	1		DIGITAL TACHOMETER
	18453	1	/P	Grease, Multi-Purpose
	94194	1	/P	COMPRESSION TESTER
	PA01648	1		CARRY CASE
	984902001	1		BUMPER SPIKE KIT
	984901001	1	S	ADJUSTING PIN KIT
	983000806	1		OPERATOR'S MANUAL

33cc 16" Chain Saw UT-10947-E
 Carburetor - Muffler - Air Filter

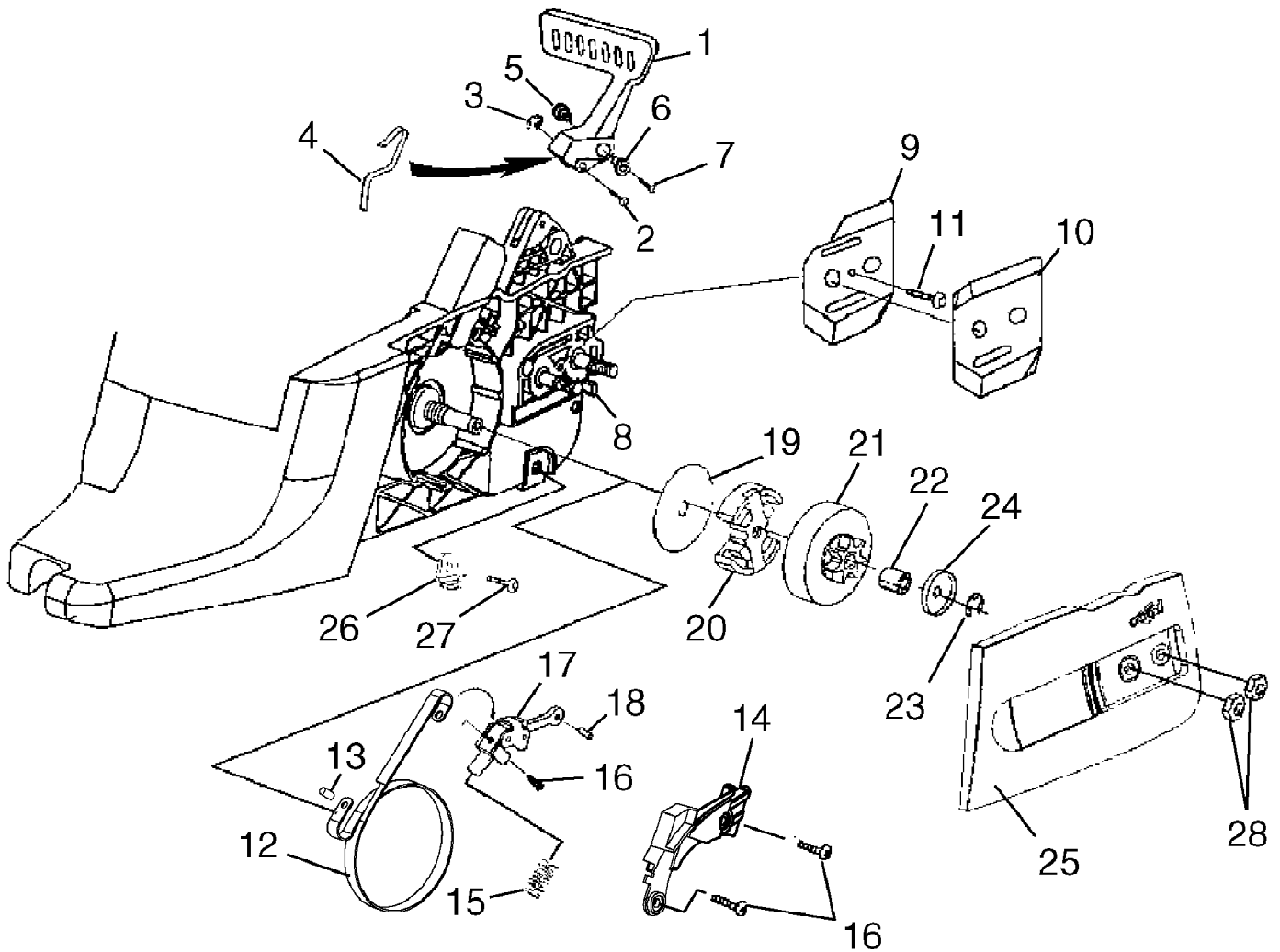


ITEM NO.	TORQUE SPECS.		REQUIRED LOCTITE
	In.-Lbs.	Nm	
4	50-60	5.6-6.7	
10	15-20	1.7-2.3	
12	30-40	3.4-4.5	
17	45-55	5.0-6.2	Z62 Red

33cc 16" Chain Saw UT-10947-E
Carburetor - Muffler - Air Filter

Page 4 of 14

Ref #	Part Number	Qty	S/P/F	Description
1	300940004	1		Muffler Kit
2	900848001	1	/P	Muffler Gasket
3	PS 04525	3		Screw-Square Hd.
4	81206	3	S/P	Nut-Locking Hex (10-32)
5	PS 06075	1		Deflector, Muffler
6	95922	1	/P	Screw (8-32 X .312 Pan Hd.)
7	300939004	1		Carburetor Assembly Includes Items 7-9
8	98339	1	S/P	Carburetor Gasket
9	07589	2	/P	Flange Nut (10-24)
10	08939	1	/P	Spring Clip (Choke Rod)
11	06840A	1	/P	Gasket, Heat Dam
12	04916	1	/P	Carburetor Spacer
13	06873	1	/P	Seal, Heat Dam
14	983699011	2	S	Screw, Truss Hd. Taptite (10-24 x 7/8")
15	06852	2	/P	Screw, Carburetor
16	0745434	1	/P	Fuel Line (Tank to Carburetor 81/2")
17	0745408	1		Fuel Line (Carburetor to Purge Bulb 2")
18	04907	1	/P	Carburetor Grommet
	UP06753A	1	/P	Air Filter Kit
19	04938	1	/P	Air Filter Cover
20	PS05070	1	/P	Pre Filter (In engine housing)
21	82617	2	/P	Screw-Slotted Pan Hd. (8-16 x 5/8")
22	PS06280	1	/P	Rod, Choke
23	04937	1	/P	Air Filter Plate



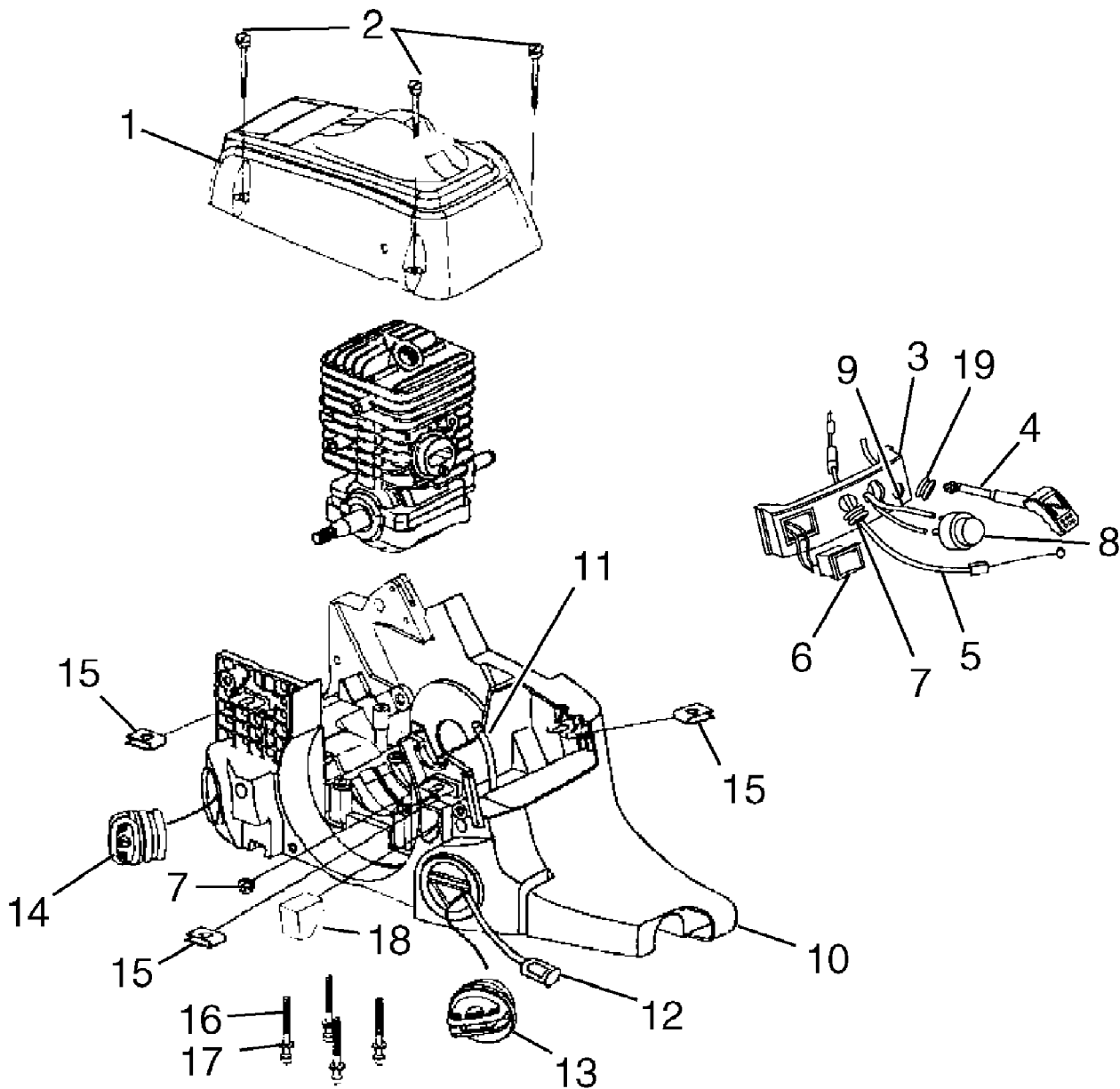
ITEM NO.	TORQUE SPECS.		REQUIRED LOCTITE
	In.-Lbs.	Nm	
7	25-35	2.8-3.9	242 BLUE
11	8-18	0.9-2.0	
16	20-30	2.3-3.4	
20	130-180	14.7-20.3	
27	30-50	3.4-5.6	
28	HAND TIGHT		

33cc 16" Chain Saw UT-10947-E
Clutch - Chain Brake - Drive Case Cover

Page 6 of 14

Ref #	Part Number	Qty	S/P/F	Description
1	07386B	1	/P	HAND GUARD
2	07580	1	S/P	HAND GUARD ACTUATING PIN
3	69599	1	/P	RETAINING RING
4	07613	1	/P	HANDGUARD SPRING
5	07393	1	S/P	PIVOT, L.H.
6	07392	1	S/P	PIVOT, R.H.
7	82624	1	/P	SCREW (8-32 x 5/8 in.)
8	984901001	1	S	ADJUSTING PIN
9	07404A	1	/P	GUIDE BAR PLATE
10	07405A	1	/P	GUIDE BAR PLATE
11	82513	1	/P	SCREW (6-19 x 1/2 in.)
12	985030001	1	/P	BRAKE BAND
13	06672	1	S/P	ROLL PIN
14	985021001	1	/P	CHAIN BRAKE COVER
15	985240001	1	/P	COMPRESSION SPRING
16	82623	3	S/P	SCREW (8-16 x .320)
17	984897001	1	/P	CHAIN BRAKE LINK
18	95395A	1	/P	ROLL PIN
19	04940	1	/P	THRUST WASHER
20	984898001	1	S	CLUTCH & HARDWARE
21	984350001	1	S/P	DRUM SPROCKET (.375 PITCH)
22	PSO4669	1		NEEDLE BEARING
23	08981	1	/P	RETAINING RING
24	04939A	1	/P	CUPPED WASHER
25	PA01106	1	S	DRIVE CASE COVER ASSEMBLY
26	PS02928	1	S/P	CHAIN CATCHER
27	82541	1	/P	SCREW (10-24 x 1/2 in.)
28	81196	1	S/P	HEX NUT

33cc 16" Chain Saw UT-10947-E
 Engine Housing - Fuel Tank - Oil Tank

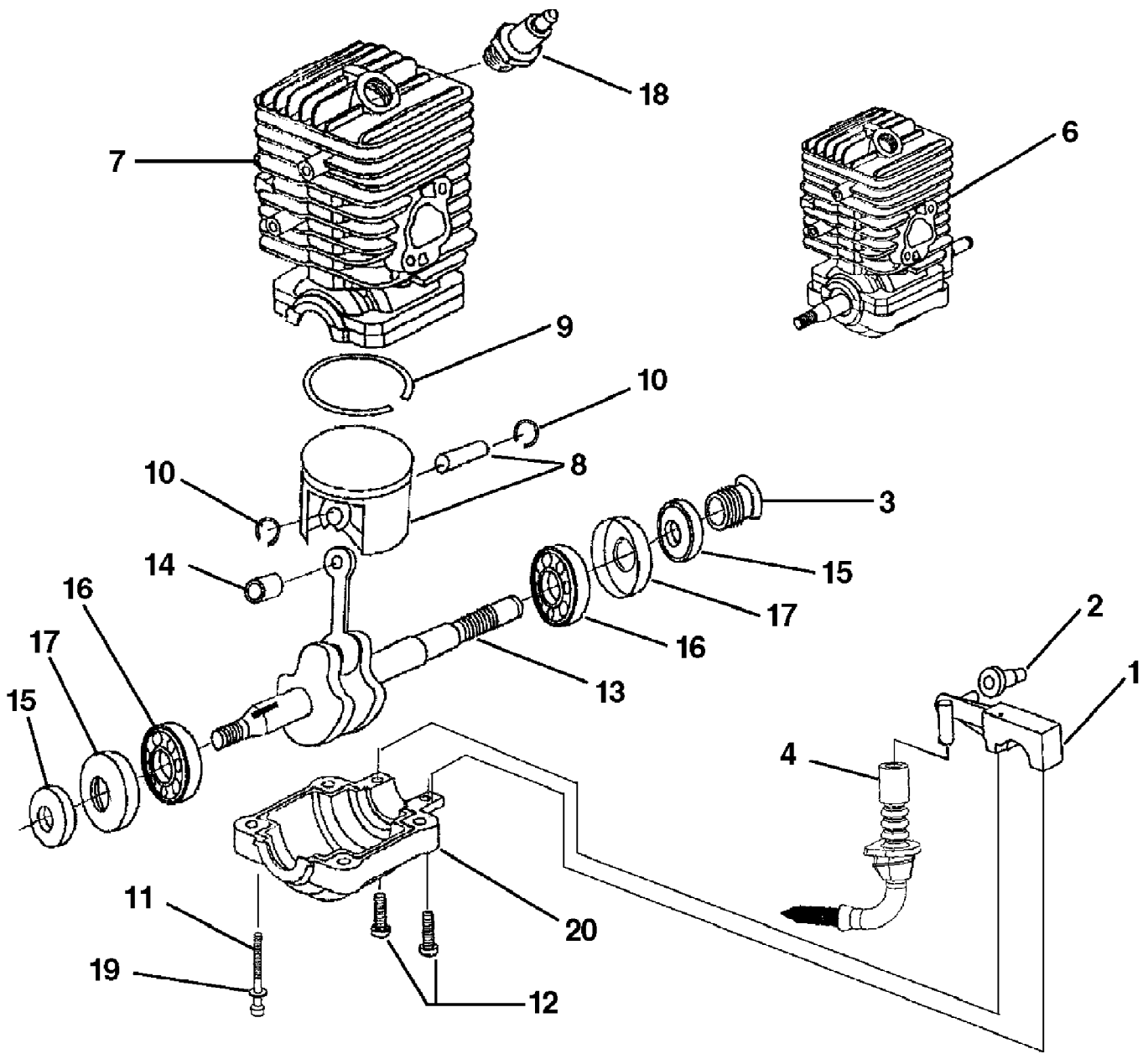


ITEM NO.	TORQUE SPECS.		REQUIRED LOCTITE
	In.-Lbs.	Nm	
2	15-25	1.7-2.8	
16	65-75	7.3-8.5	262 RED

33cc 16" Chain Saw UT-10947-E
Engine Housing - Fuel Tank - Oil Tank

Page 8 of 14

Ref #	Part Number	Qty	S/P/F	Description
1	06875	1	/P	CYLINDER COVER
2	07597	3	S/P	SCREW-SLOTTED PAN HEAD
3	PS03503	1	/P	CONTROL PANEL
4	PS06280	1	/P	CHOKE ROD
5	A07596B	1	S/P	THROTTLE CABLE
6	07385	1	S	ROCKER SWITCH
7	07587	2	/P	SPLIT GROMMET
8	01183	1	/P	PRIMER BULB
9	0745434	1	/P	RUBBER TUBING (5-1/2 in.) Come standard 8 1/2 inches in Length. Should be cut to 5-1/2 in.
10	985029001	1		CHASSIS
11	0745434	1	/P	RUBBER TUBING (8-1/2 in.) Come standard 8 1/2 inches in Length.
12	PS03380	1	/P	FUEL FILTER
13	PA01645	1	S/P	FUEL CAP, W/RETAINER
14	PA01646	1	S/P	OIL CAP, W/RETAINER
15	07598	3	/P	SPEED NUT (U-TYPE)
16	82527	4	S/P	SCREW, (10-24 x 2 in.)
17	84008	4	S/P	WASHER
18	PS05070	1	/P	PRE FILTER
19	64862	1	/P	GROMMET
	PS00340	1	S	CHAIN BRAKE DECAL
	PS06324	1	S/P	SAFETY DECAL
	PS06321	1		D/C COVER DECAL
	PS06322	1		STARTER HOUSING DECAL
	PS06323	1	/P	KICK BACK DECAL
	PS06341	1		HELP / START DECAL

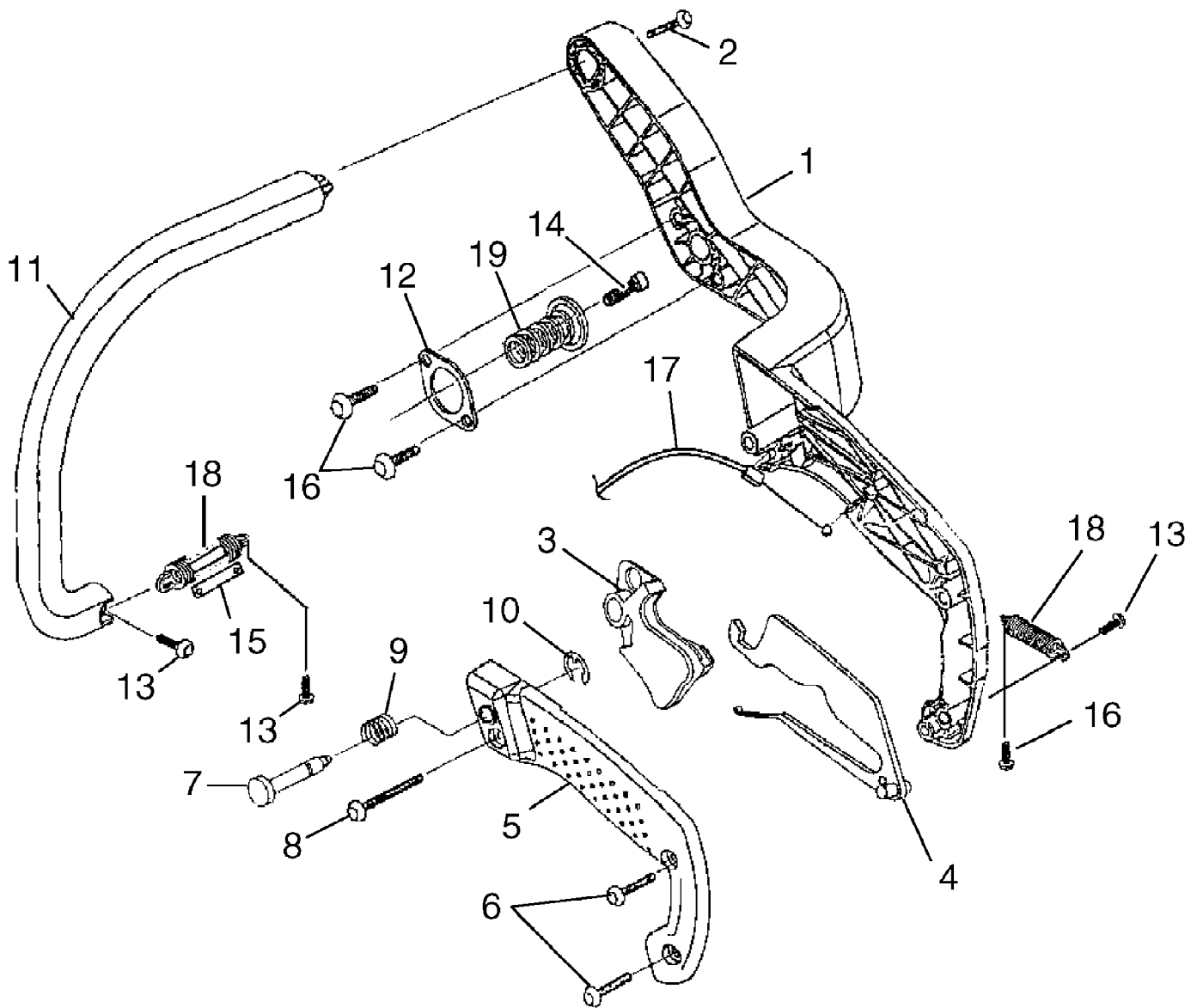


ITEM NO.	TORQUE SPECS.		REQUIRED LOCTITE
	In.-Lbs.	Nm	
11	65-75	7.3-8.5	262 Red
12	15-20	1.7-2.3	
18	120-180	13.6-20.3	

33cc 16" Chain Saw UT-10947-E
Engine Internal- Oil Pump

Page 10 of 14

Ref #	Part Number	Qty	S/P/F	Description
1	UP06602	1	/P	Oil Pump Kit
2	06841	1	/P	Grommet, Oil Outlet
3	06847	1	S/P	Left Hand Worm
4	PA01037	1	/P	Oil Intake Tube w/filter
6	300984003	1		Short Block, Complete (33cc) Includes Items 6-17
7	640941004	1		Cylinder Kit (33cc) Includes Items 7
	900848001	1	/P	Gasket, Muffler (Not Shown)
	06840A	1	/P	Gasket, Heat Dam (Not Shown)
	98339	1	S/P	Gasket, Carburetor (Not Shown)
8	640974002	1		Piston & Pin
9	03179	1	/P	Piston Ring
10	64813	2	/P	Ring, Retaining
11	82527	4	S/P	Screw, Cap-Socket HD.(10-24 x 2")
12	PS04989	2	/P	Screw, Pan HD. (8-32 x 5/8")
13	300943003	1		Crankshaft & Rod Assembly
14	678196001	1		Bearing, Needle
15	04820	2		Shaft Seal
16	A04931A	2	S	Bearing & Rubber Case
17	04919	1	S/P	Rubber Case
18	PS06216	1	S/P	Spark Plug
19	84008	4	S/P	Washer
20	04909	1	/P	Lower Crankcase



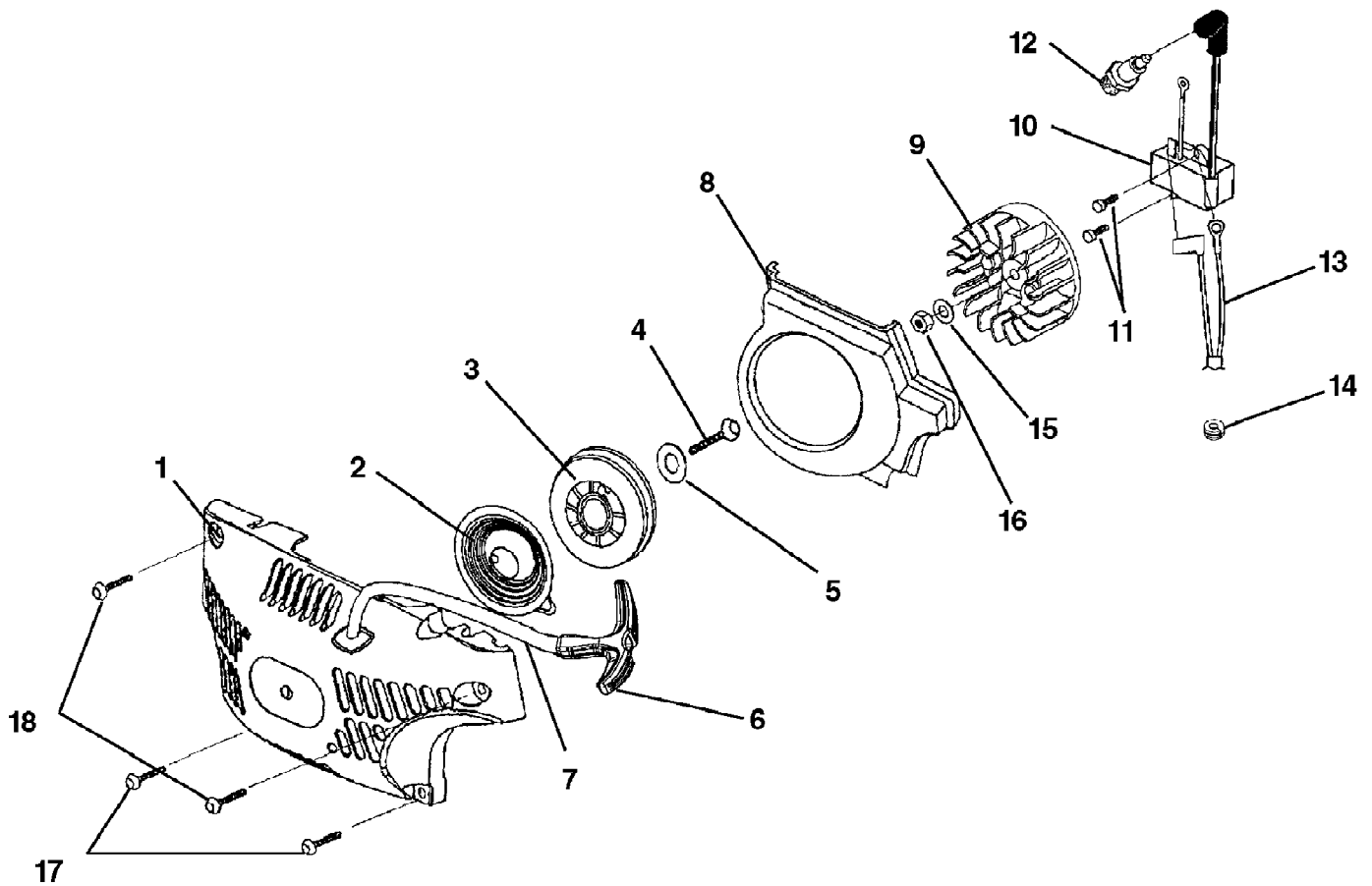
ITEM NO.	TORQUE SPECS.		REQUIRED LOCTITE
	In.-Lbs.	Nm	
2.....	40-50	4.5-5.6	
6.....	30-40	3.4-4.5	
8.....	30-40	3.4-4.5	
13.....	30-40	3.4-4.5	
14.....	40-50	4.5-5.6	
16.....	30-40	3.4-4.5	

33cc 16" Chain Saw UT-10947-E
Handles

Page 12 of 14

Ref #	Part Number	Qty	S/P/F	Description
1	06870	1	S	REAR HANDLE
2	82615	2	/P	SCREW (12-14 x 1-1/2 in.)
3	984354002	1	/P	THROTTLE TRIGGER
4	PS06283	1	/P	THROTTLE LOCK OUT
5	06871	1	/P	HANDLE COVER
6	82563	2	/P	SCREW (10-14x3/4 in.)
7	PS06281	1	/P	THROTTLE PIN LOCK
8	82622	1	/P	SCREW (10-14 x 1- 3/8 in.)
9	08898	1	/P	SPRING
10	58409	1	/P	E-RING
11	PS03985	1	S/P	FRONT HANDLE
12	07384	1		ISOLATOR PLATE
13	82621	3	/P	SCREW (10-14 x 5/8 in.)
14	82597	1	S/P	SCREW (10-24 x 5/8 in.)
15	01812A	1	/P	LIMITER, ISOLATOR
16	82541	3	/P	SCREW (10-14 x 1/2 in.)
17	A07596B	1	S/P	THROTTLE CABLE
18	PS05217	2	/P	EXTENSION SPRING
19	PS05199	1	/P	UPPER ISOLATION SPRING
	PS05239	1		INSTRUCTION SHEET

33cc 16" Chain Saw UT-10947-E
 Starter - Ignition



ITEM NO.	TORQUE SPECS.		REQUIRED LOCTITE
	In.-Lbs.	Nm	
4	30-40	3.4-4.5	
11	30-40	3.4-4.5	242 Blue
12	120-180	13.6-20.3	
16	100-150	11.3-16.9	
17	30-40	3.4-4.5	
18	30-40	3.4-4.5	

33cc 16" Chain Saw UT-10947-E
Starter - Ignition

Page 14 of 14

Ref #	Part Number	Qty	S/P/F	Description
1	T984881001	1		Starter Kit Includes Items 1-7
2	A97908	1	/P	Spring & Container
3	PS 03117	1		Pulley, Starter
4	82621	1	/P	Screw, Thread Form, Plastite (10-14 x 5/8")
5	94062	1	/P	Washer, Retaining
6	PS 06114	1		Grip, Starter
7	9789901	1	/P	Rope, Starter 46"
8	06876	1	/P	Baffle, Fan Housing
9	986154001	1	S/P	Rotor & Starter Pawl
10	984882001	1	S	Ignition Kit (33cc models) Includes Items 10-11
11	82575	2	S/P	Screw, Thread Form (8-32 x 5/8")
12	PS 06216	1		Spark Plug
13	A07602A	1	/P	Ignition Switch Harness
14	07587	1	/P	Grommet, Wire Harness (Split)
15	PS84065	1	S/P	Washer, Flat
16	985730001	1	S	Nut, Jam
17	82620	2	/P	Screw, Truss Hd., Plastite (10-14 x 7/8")
18	82621	2	/P	Screw, Truss Hd., Plastite (10-14 x 5/8")