

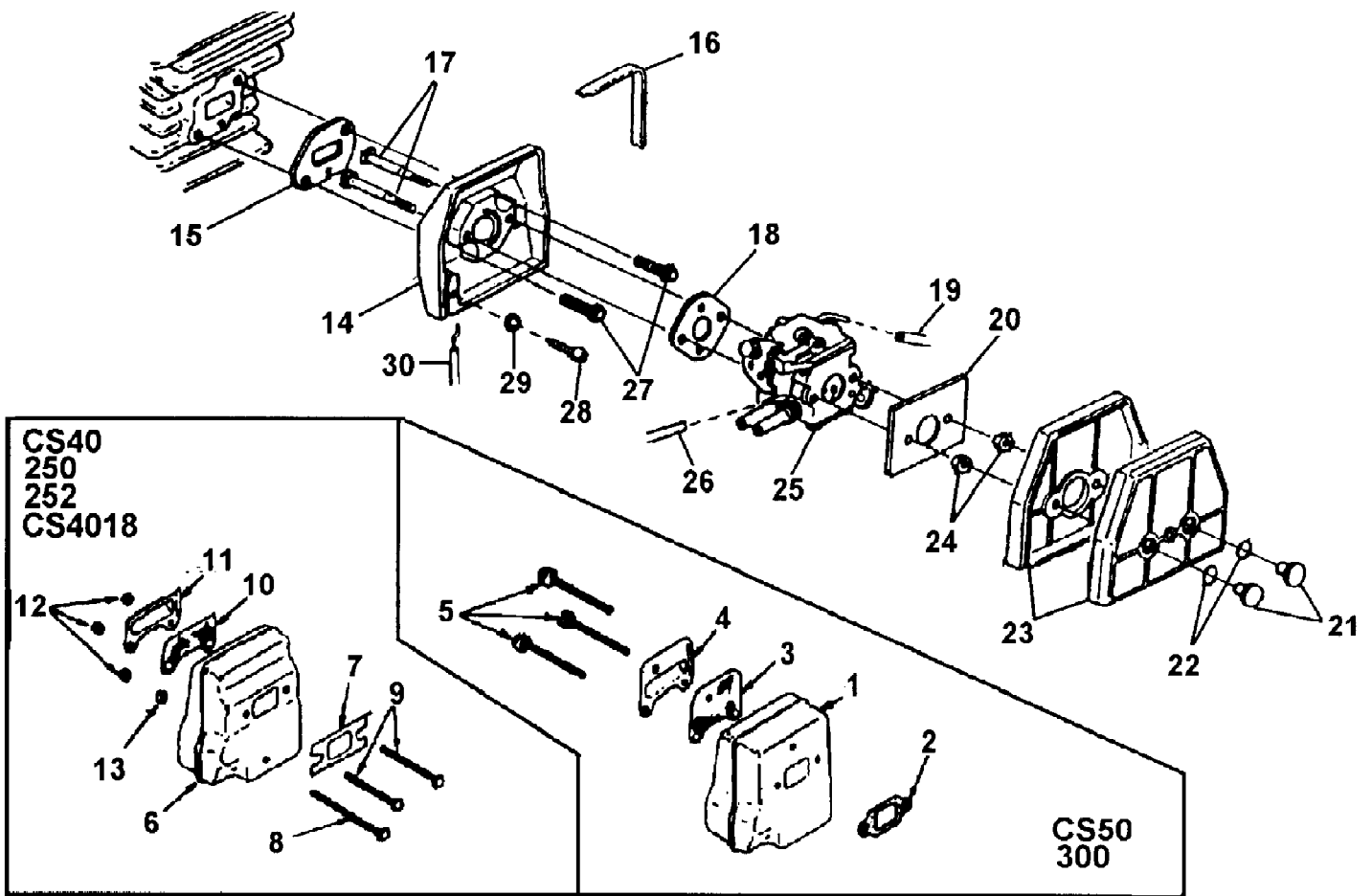
No  
Diagram  
Available  
  
Parts List  
Only

300 Chain Saw UT-10700-B  
Accessories

Page 2 of 16

Ref #	Part Number	Qty	S/P/F	Description
	A02177	1		BUMPER SPIKE KIT
	7031099	1	S	RUBBER TUBING (10')
	18453	1	/P	GREASE-Multi-Purpose (Sprocket bearing-PT guide bar)
	98052A	1	/P	STARTING ROPE (250 ft. Reel)
	18416	1		DIGITAL TACHOMETER
	PT16321H6	1		GUIDE BAR, (power tip) (16")
	PT18321H6	1		GUIDE BAR, (power tip) (18")
	PT20321H6	1		GUIDE BAR, (power tip) (20")
	SP16321H6	1		GUIDE BAR, (sprocket tip) (16")
	SP20321H6	1		GUIDE BAR, (sprocket tip) (20")
	A70776B	1	/P	SAFE-T-TIP(R)
	94194	1	/P	COMPRESSION TESTER
	17789	1	S	CARBURETOR REPAIR TOOL
	24306	1	S	SHIM (.0125")
	18416	1		DIGITAL TACHOMETER
	18080	1	S	CLUTCH ASSEMBLY TOOL
	24823	1	S	SEALANT SILICON
	A24824	1	S	WRENCH (combination)
	2498202	1	/P	T-25 TORX DRIVE BIT
	22486	1		SHIM (0.015" AIR GAP)
	GP203225	1		TESTER (Spark Plug)
	A01182	1		CLUTCH SPANNER
	DIL7267AH	1		CHAIN (32-MD50-67) (16")
	DIL7273AH	1		CHAIN (32-MD50-73) (18")
	DIL7279AH	1		CHAIN (32-MD50-79) (20")

300 Chain Saw UT-10700-B  
Carburetor - Muffler

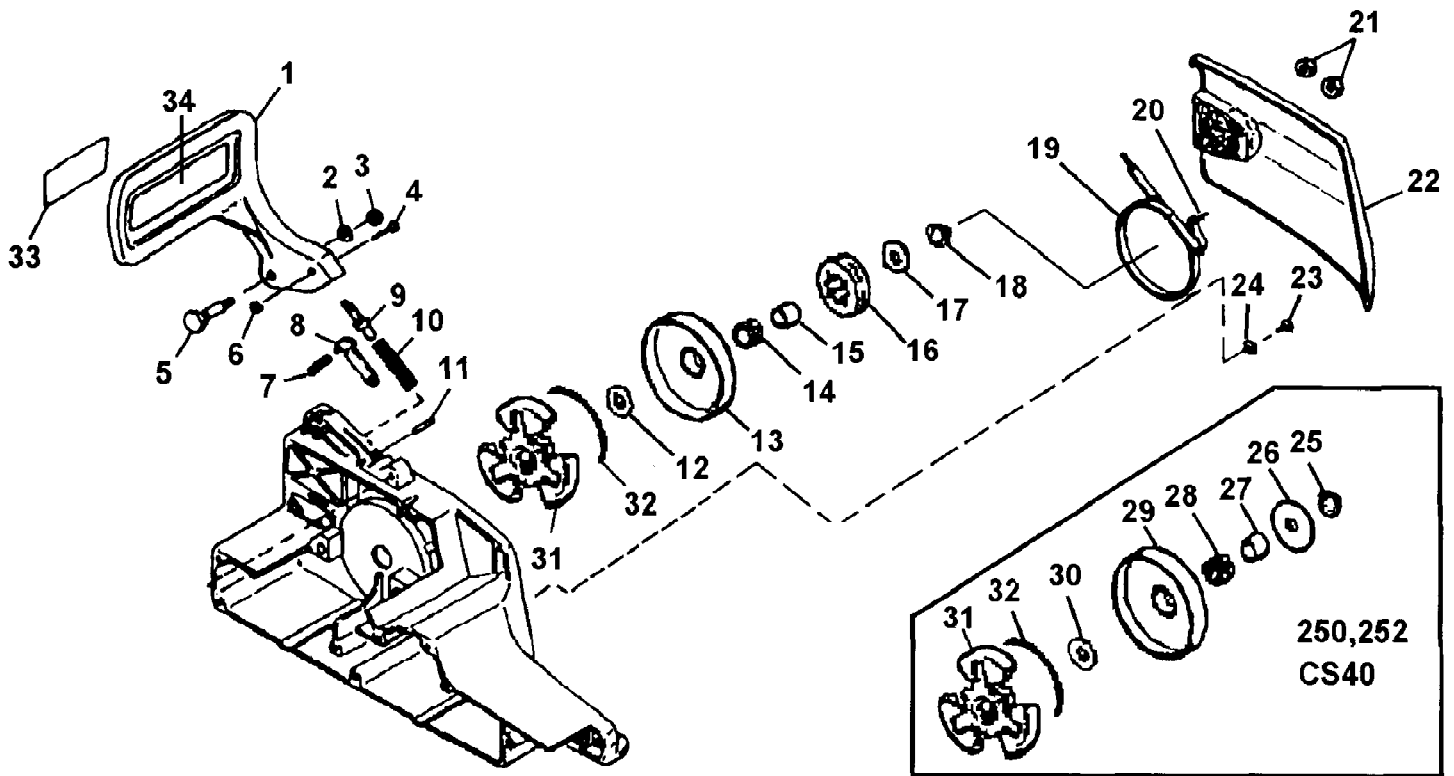


300 Chain Saw UT-10700-B  
Carburetor - Muffler

Page 4 of 16

Ref #	Part Number	Qty	S/P/F	Description
1	A06652	1	/P	MUFFLER - Complete Assembly
2	01729	1	S	GASKET Muffler
3	01733	1		SCREEN- Spark Arrestor
4	01734B	1		COVER- Exhaust
5	88058	3	/P	SCREW-Sems (10-24 x 2 1 /4)
6	A06631	1	S	MUFFLER - Complete NOT USED ON THIS MODEL
7	01543B	1		GASKET Muffler NOT USED ON THIS MODEL
8	02176	1		SCREW- Square Hd. (10-32 x 2 1/2) NOT USED ON THIS MODEL
9	02509	2		SCREW- Square Hd. (10-32 x 2 1 /4) NOT USED ON THIS MODEL
10	01532	1		SCREEN-Spark Arrestor NOT USED ON THIS MODEL
11	01531A	1		COVER- Exhaust NOT USED ON THIS MODEL
12	81206	3	S/P	NUT Locking (10-32) NOT USED ON THIS MODEL
13	84009	1	S	WASHER- Flat (#12) NOT USED ON THIS MODEL
14	A04512	1		SPACER- Carburetor Assembly
15	04508	1	/P	GASKET Carburetor Spacer
16	03141	1		FOAM- Adhesive
17	00905A	2		SCREW- Carburetor Retainer
18	98339	1	S/P	GASKET Carburetor
19	7031036	1	S	TUBING-Rubber (9")
20	02695	1		RETAINER PLATE
21	01178	2		RETAINER NUT Filter
22	02718	2	/P	"O" RING
23	A02582A	1	S	AIR FILTER
24	81009	2	/P	NUT Hex (8-32)
25	A03964	1		CARBURETOR (Zama C1Q-H27)
	A04481	1		CARBURETOR (Walbro WT282)
26	7031019	1	S	TUBING- Rubber (4 3/4")
27	82430	2		SCREW Mach. Hex Hd. (8-32 x 7/8")
28	82513	1	/P	SCREW Thread Form (6-19 x 5/8")
29	84123	1		WASHER Flat (#6)
30	00997D	1		CABLE Throttle

300 Chain Saw UT-10700-B  
Clutch & Chain Brake

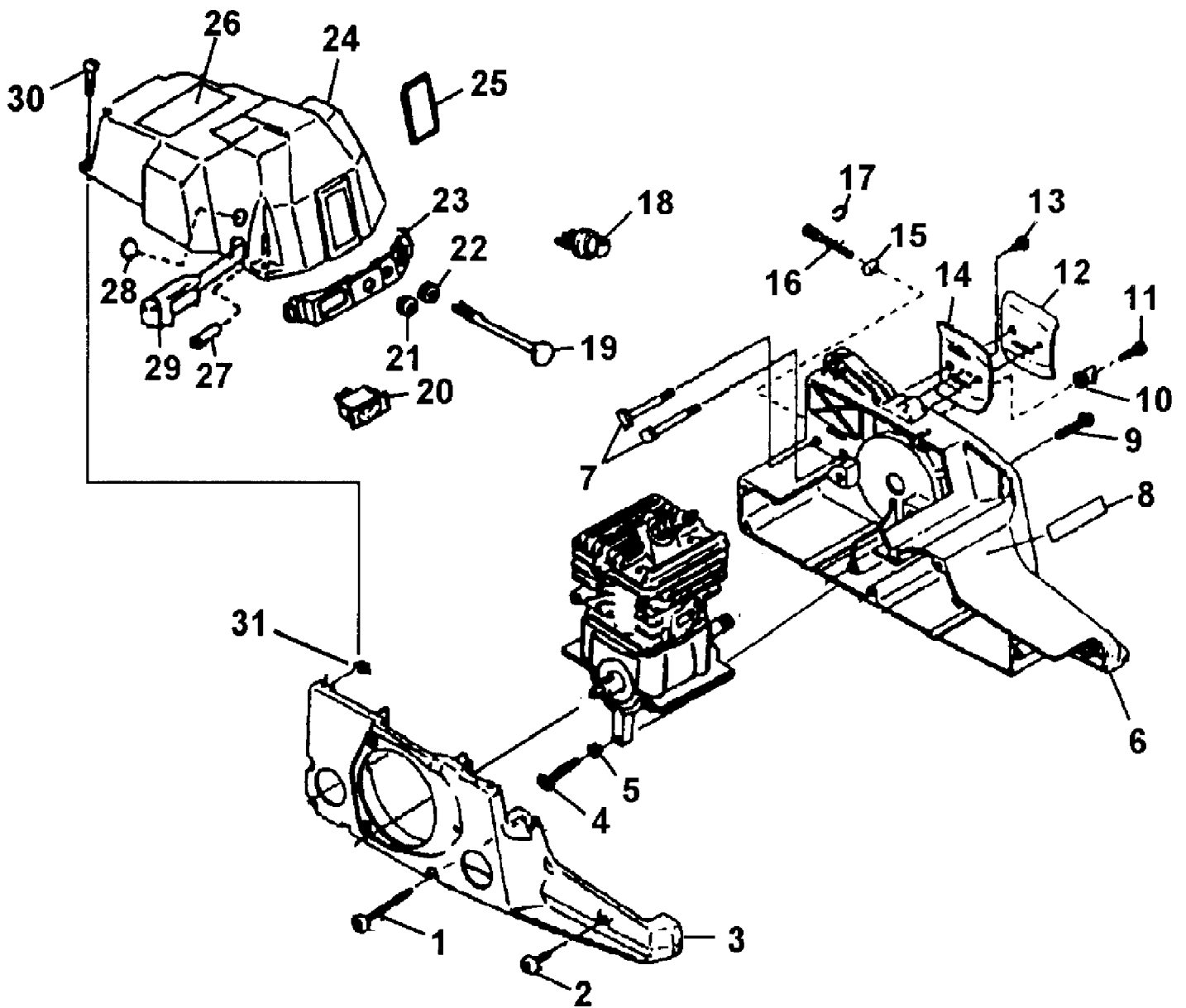


300 Chain Saw UT-10700-B  
Clutch & Chain Brake

Page 6 of 16

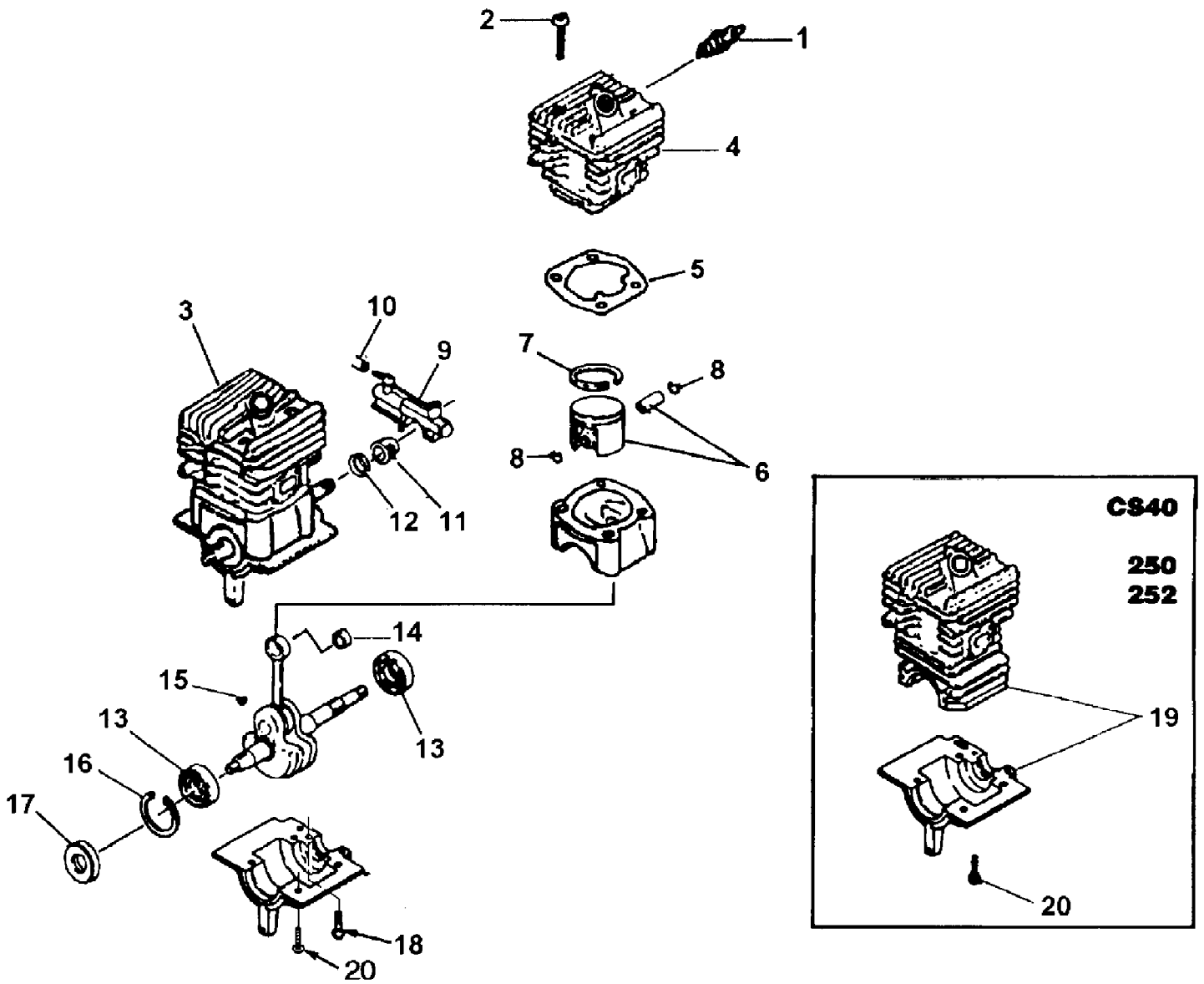
Ref #	Part Number	Qty	S/P/F	Description
1	A06757	1		GUARD, HAND
2	83203	1		WASHER, BELLVILLE
3	98457	1		NUT - (M5)
4	98422A	1		PIN
5	98461	1		SCREW, SHOULDER
6	01820	1		RING, RETAINER
7	98308	1		SPRING, COIL
8	A98317A	1		BRAKE LATCH ASSY
9	A00888A	1		ADJUSTER, BRAKE
10	00890	1	S	SPRING, COMPRESSION
11	98456	1		PIN
12	58833	1	/P	WASHER, THRUST (INNER)
13	A02990	1		SPLINE & DRUM
14	02999	1	S	BEARING, NEEDLE
15	03039	1	S	RACE, INNER
16	07341	1		SPROCKET, RIM (.325 X 7T)
17	65027	1		WASHER, THRUST
18	81255	1		NUT, HEX LOCK (3/8"-24)
19	A98298B	1	/P	BRAKE BAND ASSY Assembly
20	06672	1	S/P	PIN, DOWEL
21	81196	2	S/P	NUT, HEX
22	A00226A	1	/P	COVER, DRIVE CASE
23	82513	1	/P	SCREW, THREAD FORM (#6)
24	01180	1		RETAINER, BRAKE BAND
25	81255	1		NUT, HEX LOCK (3.8"-24)
26		1		WASHER, THRUST NOT USED ON THIS MODEL
27		1		RACE, INNER NOT USED ON THIS MODEL
28		1		BEARING, NEEDLE NOT USED ON THIS MODEL
29		1		SPROCKET & DRUM NOT USED ON THIS MODEL
30		1		WASHER, THRUST NOT USED ON THIS MODEL
31	A00995	1	S	CLUTCH ASSY Assembly
32	98453	1	S	SPRING, CLUTCH
33	02561A	1		LABEL, KICKBACK
34	02661	1		DECAL, SAFETY

300 Chain Saw UT-10700-B  
Engine Housing

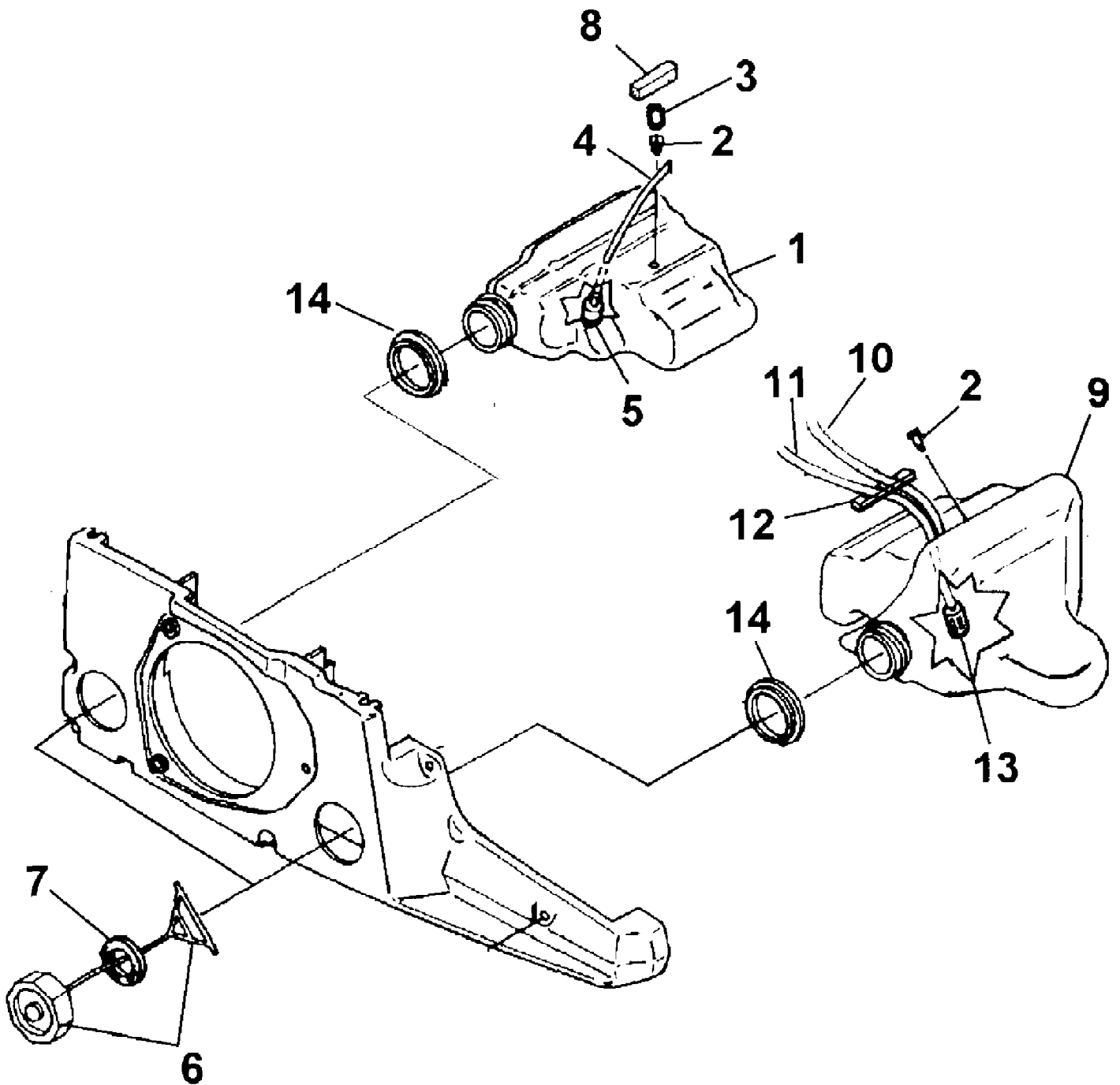


Ref #	Part Number	Qty	S/P/F	Description
1	82545	3		SCREW- Thread Form (8-16 x 1 3/4")
2	82546	4	S/P	SCREW- Thread Form. (8-16 x 5/8")
3	017151A	1	/P	HOUSING-Starter Side
4	82588	1		SCREW-Thread Form. (10-14 x 1 1/8")
5	83056	1		WASHER-Lock
6	A03720B	1	/P	HOUSING- Drive Side Assembly
7	03132	2	/P	BOLT Guide Bar
8	01805A	1	/P	DECAL- Panel
9	80864	2	/P	SCREW-Hex Hd. (12-24 x 1")
10	95212	1	/P	STOP- Chain
11	82537	1	/P	SCREW- Thread Form (10-14 x 7/8")
12	01170	1	S	PLATE- Guide Bar (Outer )
13	82513	1	/P	SCREW- Thread Form. (6-19 x 1/2")
14	98278	1		PLATE- Guide Bar (Inner)
15	651121	1	S	PIN- Adjusting
16	03139	1	S	SCREW- Guide Bar Adjusting
17	69599	1	/P	RING- Snap
18	01183	1	/P	BULB- Primer
19	01527A	1		ROD- Choke (UT10687-B)
20	01802	1	S	SWITCH- Ign.
21	69889	1	/P	BOOT Throttle Cable
22	64862	1	/P	GROMMET Choke
23	01169	1		PANEL Control
24	A04583	1	S	CYLINDER COVER Assembly
25	01173A	1		SCREEN- Air Inlet
26	02506	1		LABEL Warning
27		1		GROMMET - Carburetor NOT USED ON THIS MODEL
28		1		PLUG - Idle Speed NOT USED ON THIS MODEL
29	04373	1	S	GROMMET Carburetor
30	95792	3	/P	SCREW- Round Hd. (10-24 x .710)
31	70810	3	S	NUT Square (10-24)





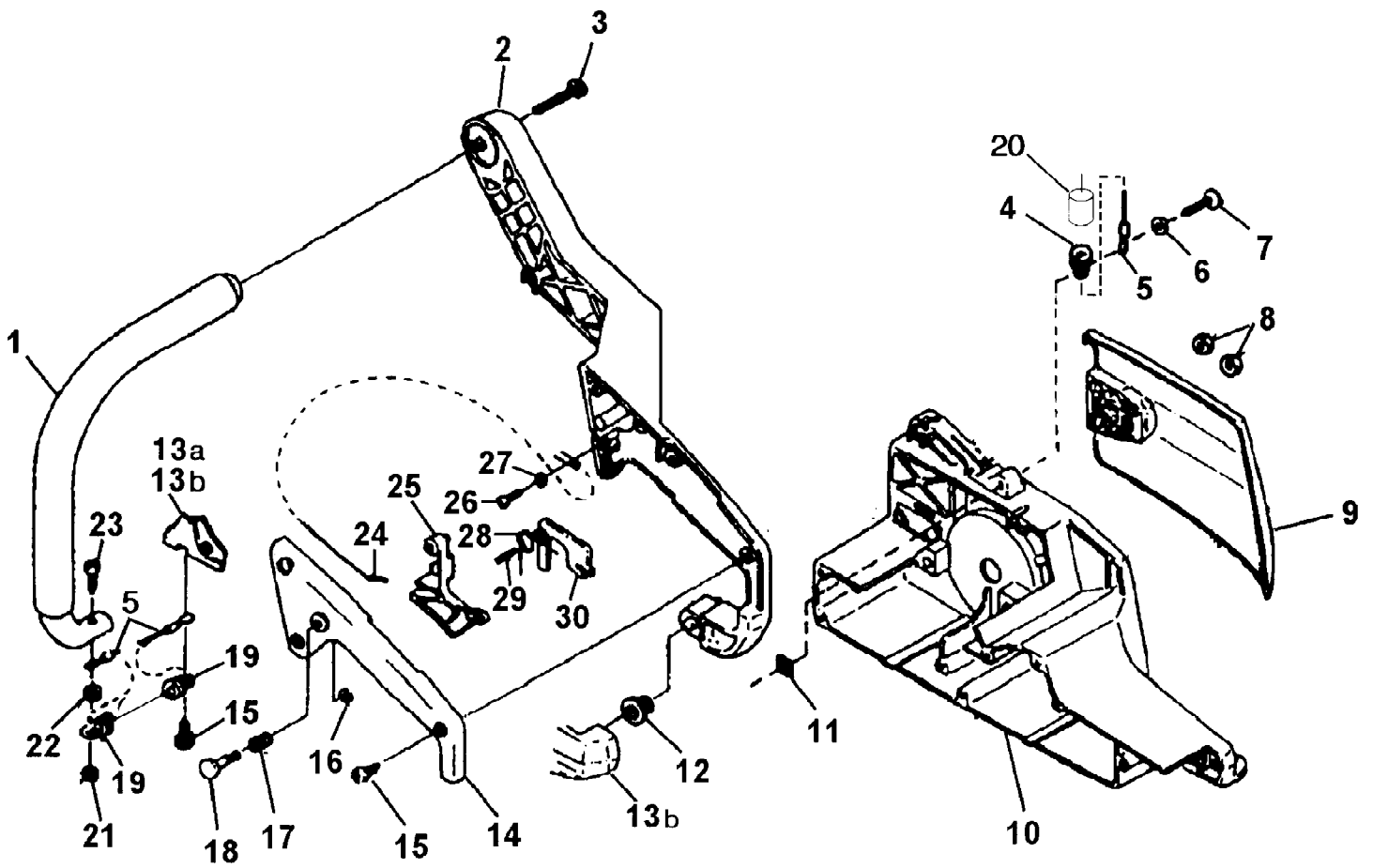
Ref #	Part Number	Qty	S/P/F	Description
1	98261S	1		SPARK PLUG (CJ6Y)
	98217S	1	/P	SPARK PLUG (RCJ6Y) (Intl.)
2	82568	4	S	SCREW-PAN Hd. (10-24 x .800)
3	A04511	1		SHORT BLOCK Assembly
4	A04513	1		CYLINDER & GASKET Assembly
5	02527	1		GASKET, CYLINDER
6	A03301	1		PISTON & PIN Assembly
7	02263A	2	S	RING, PISTON
8	64813	2	/P	RING, WRIST PIN RETAIN.
9	A02802A	1	S	OIL PUMP
10	02548	1		TUBING, OIL (TO GUIDE BAR)
11	00229	1		WORM GEAR, LEFT HAND
12	93858	1	S	SEAL, CRANKSHAFT
13	98797	2	/P	BEARING, BALL
14	70277	1	S	BEARING, NEEDLE
15	75078	1		WOODRUFF KEY
16	289221	1	/P	RETAINING RING
17	98197A	1	S	SEAL, SHAFT
18	82146	2	S	SCREW,OIL PUMP (8-32 X 5/8")
19	A02577C	1		CYLINDER & CRANKCASE NOT USED ON THIS MODEL
20	80891	4	/P	SCREW, Hex Hd. (12-24 X 7/8") NOT USED ON THIS MODEL



300 Chain Saw UT-10700-B  
Fuel & Oil Tanks

Page 12 of 16

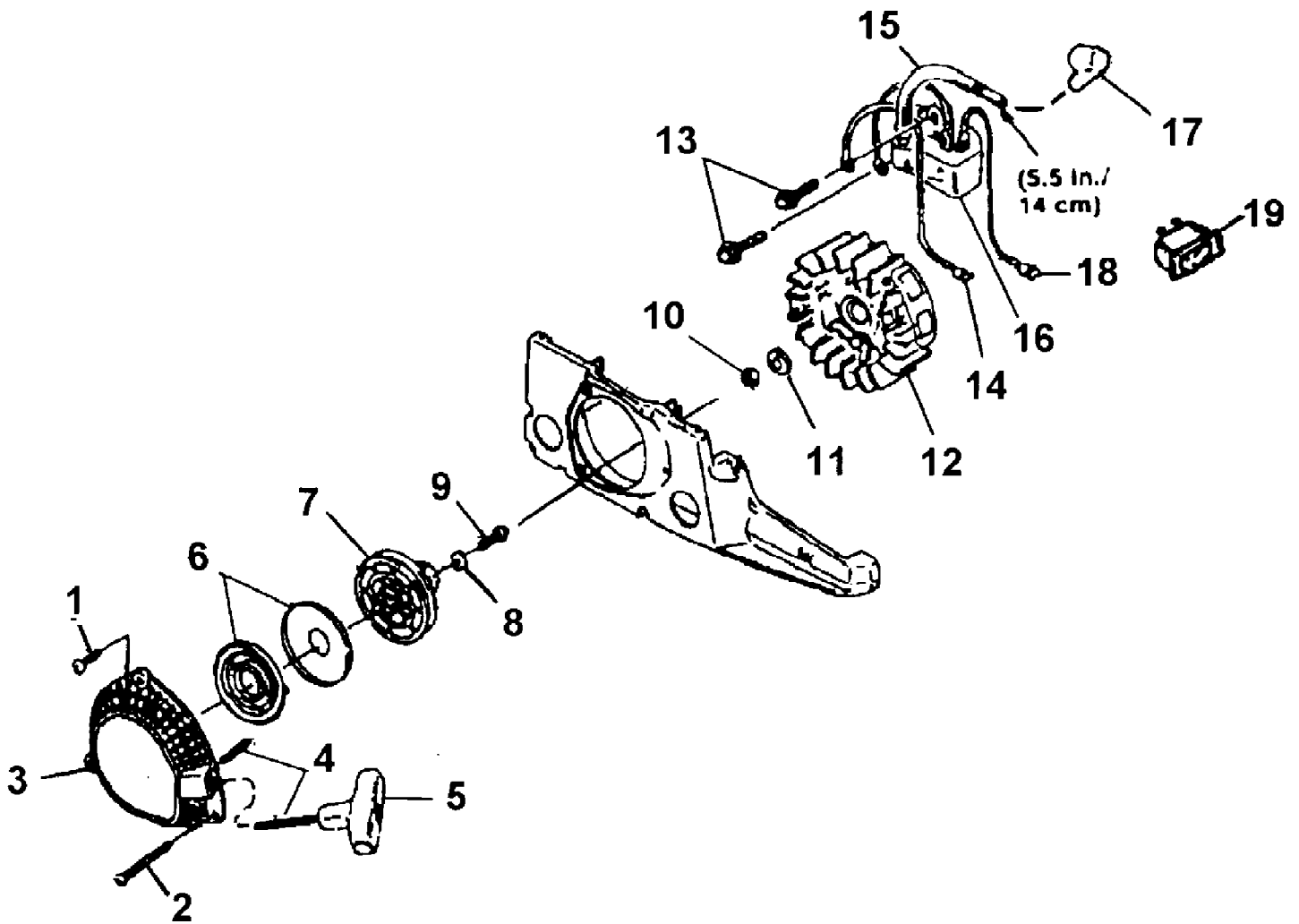
Ref #	Part Number	Qty	S/P/F	Description
1	A06636	1		OIL TANK ASSY Assembly
2	03134	1	S/P	VALVE-Check
3	03585	1		PIN-Spirol
4	7031029	1		TUBING- Rubber (7 1/4")
5	A68593	1		FILTER- Oil
6	A00904A	1	S	CAP- Tank (w/Retainer)
7	02762A	1	S	GASKET Fuel Cap
8	69443	1		FILTER- Oil Tank Valve
9	A06637	1	/P	FUEL TANK ASSY Assembly
2	03134	1	S/P	VALVE- Check
6	A00904A	1	S	CAP- Tank (w/Retainer)
7	02762A	1	S	GASKET Fuel Cap
10	7031021	1	S	TUBING-Rubber (5 1/4")
11	7031036	1	S	TUBING- Rubber (9")
12	02952	1		FILTER- Foam
13	49422	1	S	FILTER- Fuel
14	00993	2		SAWDUST SEAL



300 Chain Saw UT-10700-B  
Handles

Page 14 of 16

Ref #	Part Number	Qty	S/P/F	Description
1	A03496	1	S	HANDLE BAR
2	03945	1		REAR HANDLE
3	80891	1	/P	SCREW, HEX Hd (12-24 X 7/8")
4	02813	1	S	SPRING, EXTENSION
5	03583	2	S	RETAINER, SPRING
6	84008	2	S/P	WASHER, FLAT (#12)
7	82562	1	S	SCREW, PAN Hd. (10-24 X 7/8")
8	81196	2	S/P	NUT, HEX
9	A00226A	1	/P	COVER, DRIVE CASE
10	A03720B	1	/P	ENG. HSG. DRIVE SIDE
11	70810	1	S	NUT, SQUARE (# 10-24)
12	02508	2	S	ISOLATOR, VIBRATION
13A	017151A	1	/P	HSG., STARTER SIDE
13B		1		HSG., STARTER SIDE NOT USED ON THIS MODEL
14	00210C	1		COVER, REAR HANDLE
15	82546	5	S/P	SCREW, THREAD FORM (8-16 X 5/8")
16	58409	1	/P	RING, RETAINING
17	95020	1	S	SPRING, COMPRESSION
18	95671	1	S	PIN, THROTTLE LOCK
19	01168	1		SPRING, EXTENSION
20	01813	2		SLEEVE, SPRING
21	81261	2	/P	NUT, HEX
22	84008	2	S/P	WASHER, FLAT (#12)
23	96620	1	/P	SCREW, TORX (10-24 X 1/2")
24	00997D	1		CABLE, THROTTLE
25	A03806A	1		TRIGGER, THROTTLE
26	82513	1	/P	SCREW, THREAD FORM (6-19 X 1/2")
27	84123	1		WASHER, FLAT
28	02316	1	/P	SPRING, THROTTLE
29	70253	1		PIN, DOWEL
30	93385A	1	/P	LOCK, THROTTLE



300 Chain Saw UT-10700-B  
Starter - Ignition

Page 16 of 16

Ref #	Part Number	Qty	S/P/F	Description
1	82546	4	S/P	SCREW-Thread Form (8-16 x 5/8")
2	82566	1		SCREW Thread Form (8-16 x 2 1 /4)
3	A04778A	1	/P	STARTER - COMPLETE Assembly
4	9789901	1	/P	ROPE, STARTER (46")
5	02264	1	S	GRIP STARTER
6	A97908	1	/P	SPRING & CONTAINER
7	97768B	1	S	PULLEY
8	94062	1	/P	WASHER
9	82409	1	/P	SCREW Plastite (10-14 x 5/8")
10	81124A	1	/P	NUT, JAM
11	83102	1	/P	WASHER LOCK (3/8)
12	A00994B	1	S	ROTOR & STARTER PAWLS
13	88052	2	/P	SCREW, Sems Hex Hd. (10-24 x 7/8"
14	A01821A	1		IGNITION GROUND WIRE
15	95098	1		SLEEVE, Insulating
16	A01546	1		IGNITION MODULE
17	A02597	1		SPARK PLUG BOOT KIT
18	A01822	1		IGNITION WIRE
19	01802	1	S	SWITCH