

# Homelite®

- GB** PARTS LIST
- F** LISTE DE PIÈCES
- D** TEILELISTE
- I** ELENCO DEI PEZZI
- E** LISTA DE PIEZAS

**CS40...** UT10707- B  
UT10708- B  
UT10760

**CS50...** UT10710- C  
UT10711- C

**250...** UT10689- A  
UT10724- D, E

**300...** UT10687- D, E  
UT10700- C, D  
UT10725- D, E

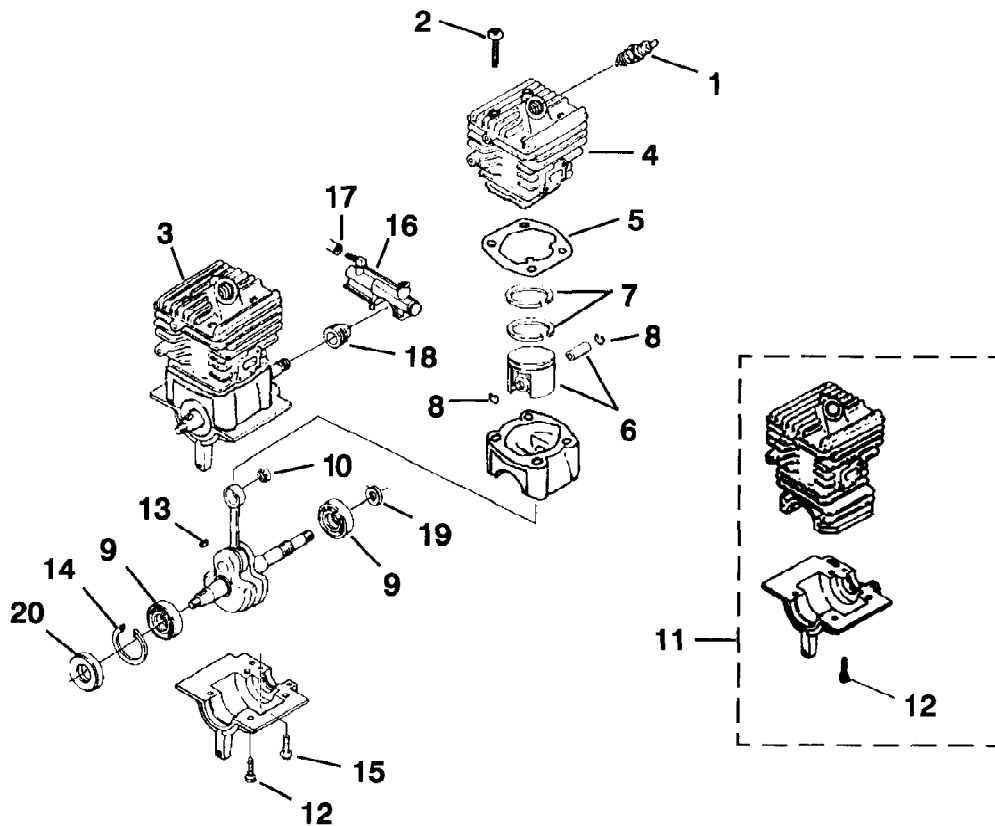
**252...** UT10732- B, C  
UT10733- B, C

**CS4018...** UT10736- R

**CS5020...** UT10737- R

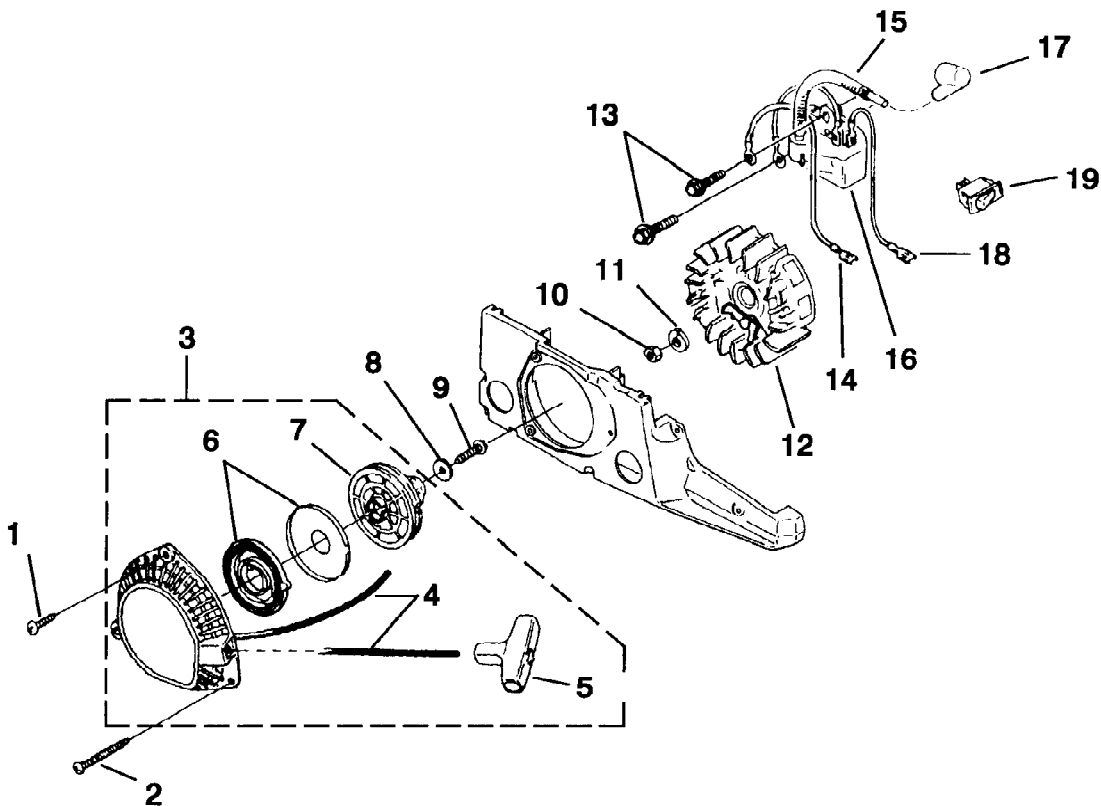
Printed in U.S.A.  
Imprimé aux. E.-U.  
Gedruckt in den U.S.A.  
Stampato negli Stati Uniti  
Impreso en EE. UU.  
**P/N 18952 D**

## ENGINE INTERNAL



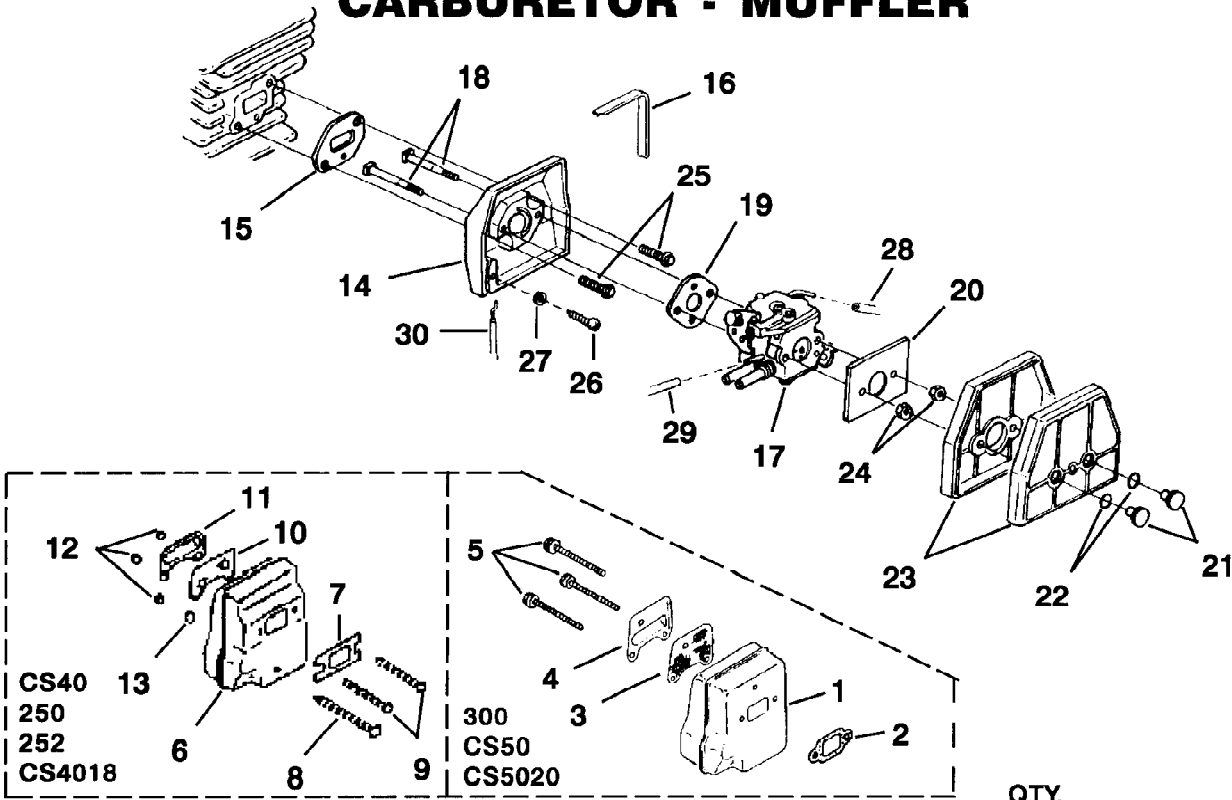
NO.	PART NO.	DESCRIPTION	CS401B	CS40	250	252	300	CS50	CS5020
1	93561 S	SPARK PLUG (CJ6Y)	1	1	1	1	1	1	1
	98217 S	SPARK PLUG (RCJ6Y) (INTL.)							
2	82568	SCREW-PAN Hd.(10-24 x .800)					4	4	4
3	• A 04511	SHORT BLOCK					1	1	1
	A 01544 D	SHORT BLOCK	1	1	1	1			
4	• A 04513	CYLINDER & GASKET					1	1	1
5	02527	GASKET, CYLINDER					1	1	1
6	• A 02579 C	PISTON & PIN	1	1	1	1			
7	01545 B	RING, PISTON	2	2	2	2			
8	64813	RING, WRIST PIN RETAIN.	2	2	2	2			
6	• A 03301 A	PISTON & PIN					1	1	1
7	02263 A	RING, PISTON					2	2	2
8	64813	RING, WRIST PIN RETAIN.					2	2	2
9	98797	BEARING, BALL	2	2	2	2	2	2	2
10	70277	BEARING, NEEDLE	1	1	1	1	1	1	1
11	• A 02577 C	CYLINDER & CRANKCASE	1	1	1	1			
12	80891	SCREW, Hex Hd. (12-24 X 7/8")	4	4	4	4			
13	75078	KEY, WOODRUFF	1	1	1	1	1	1	1
14	28922 1	RETAINING RING	1	1	1	1	1	1	1
15	82146	SCREW, FIL. HD. (8-32 X 5/8")	2	2	2	2	2	2	2
16	A 02802 A	OIL PUMP	1	1	1	1	1	1	1
17	02548	TUBING, OIL (TO GUIDE BAR)	1	1	1	1	1	1	1
18	00229	WORM GEAR, LEFT HAND	1	1	1	1	1	1	1
19	93858	SEAL, CRANKSHAFT	1	1	1	1	1	1	1
20	98197 A	SEAL, SHAFT	1	1	1	1	1	1	1

## STARTER - IGNITION



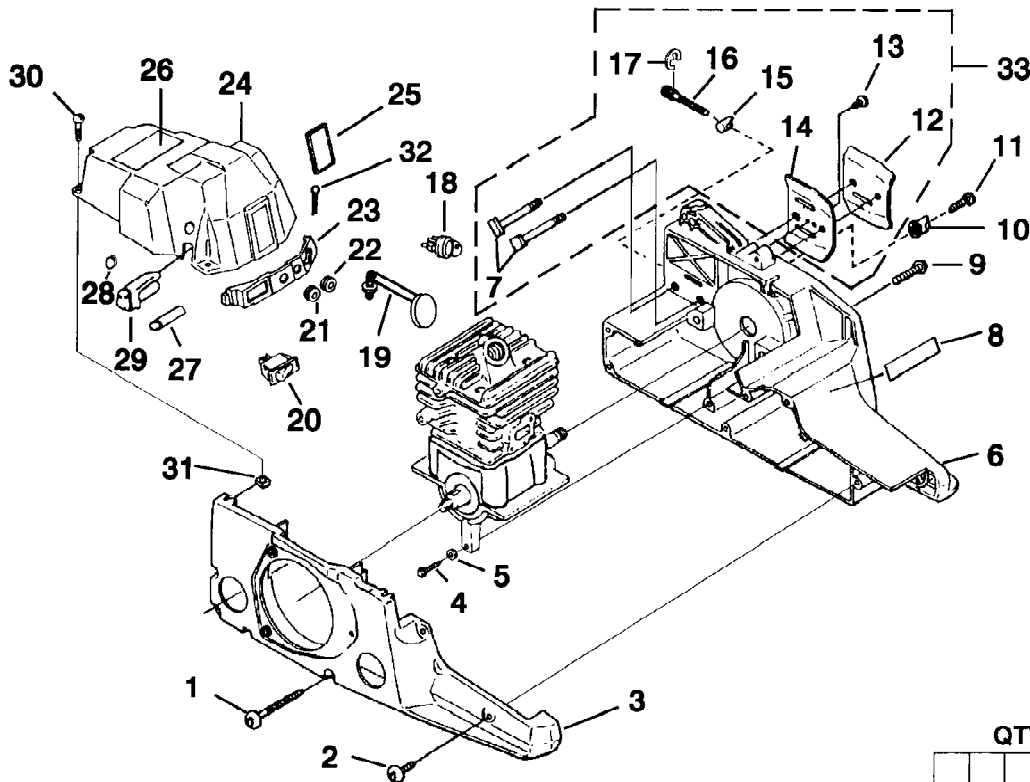
NO.	PART NO.	DESCRIPTION	QTY.				
			CS4018 CS40	250	252	300	CS5020 CS50
1	82546	SCREW-Thread Form (8-16 x 5/8")	4	4	4	4	4
2	82544	SCREW-Thread Form (8-16 x 2")	1	1	1		
	82566	SCREW Thread Form (8-16 x 2 1/4)				1	1
3	A 04778 A	STARTER - COMPLETE	1	1	1	1	1
4	97899 01	ROPE, STARTER (46")	1	1	1	1	1
5	02264	GRIP, STARTER	1	1	1	1	1
6	A 97908	SPRING & CONTAINER	1	1	1	1	1
7	97768 B	PULLEY	1	1	1	1	1
8	94062	WASHER	1	1	1	1	1
9	82409	SCREW Plastite(10-14 x 5/8")	1	1	1	1	1
10	81124 A	NUT, JAM (3/8" X 24)	1	1	1	1	1
11	83102	WASHER LOCK (3/8")	1	1	1	1	1
12	A 00994 C	ROTOR & STARTER PAWLS	1	1	1	1	1
13	88052	SCREW, Sems Hex Hd. (10-24 x 7/8")	2	2	2	2	2
14	A 01821 A	IGNITION GROUND WIRE	1	1	1	1	1
15	95098	SLEEVE, Insulating	1	1	1	1	1
16	A 01546	IGNITION MADULE	1	1	1	1	1
17	A 02597	SPARK PLUG BOOT KIT	1	1	1	1	1
18	A 01822 A	IGNITION WIRE	1	1	1	1	1
19	01802	SWITCH	1	1	1	1	1

### CARBURETOR - MUFFLER



NO.	PART NO.	DESCRIPTION	QTY.				
			CS4018 CS40	250	252	300	CS5020 CS50
1	A 06652	MUFFLER - Complete				1	1
2	01729	GASKET- Muffler				1	1
3	01733	SCREEN- Spark Arrestor				1	1
4	01734 B	COVER- Exhaust				1	1
5	88058	SCREW- Sems (10-24)				3	3
6	A 06631 A	MUFFLER - Complete	1	1	1		
7	01543 B	GASKET- Muffler	1	1	1		
8	02176	SCREW- Square Hd. (10-32 x 2 1/2)	1	1	1		
9	02509	SCREW- Square Hd. (10-32 x 2 1/4)	2	2	2		
10	01532	SCREEN- Spark Arrestor	1	1	1		
11	01531 A	COVER- Exhaust	1	1	1		
12	81206	NUT Locking (10-32)	3	3	3		
13	84003	WASHER- Flat (#12)	1	1	1		
14	A 04512	SPACER- Carburetor				1	1
15	04508	GASKET- Carburetor Spacer				1	1
16	03141	FOAM- Adhesive				1	1
14	A 02583	SPACER- Carburetor	1	1	1		
15	00202 B	GASKET- Carburetor Spacer	1	1	1		
16	01823	FOAM- Adhesive	1	1	1		
17	A 07039	CARBURETOR W/AIR FILTER (Walbro)	1	1	1		
	A 09203	CARBURETOR W/AIR FILTER (Zama)					1 1
18	00905 A	SCREW- Carburetor Retainer	2	2	2	2	2
19	98339	GASKET- Carburetor	1	1	1	1	1
20	02695	RETAINER PLATE	1	1	1	1	1
21	01178	RETAINER NUT- Filter	2	2	2	2	2
22	02718	"O" RING	2	2	2	2	2
23	A 02582 A	AIR FILTER	1	1	1	1	1
24	81009	NUT- Hex (8-32)	2	2	2	2	2
25	82430	SCREW Mach. Hex Hd. (8-32 x 7/8")	2	2	2	2	2
26	82513	SCREW Thread Form (6-19 x 5/8")	1	1	1	1	1
27	84123	WASHER Flat (#6)	1	1	1	1	1
28	70310 36	TUBING- Rubber (9")	1	1	1	1	1
29	70310 19	TUBING- Rubber (4 3/4")	1	1	1	1	1
30	00997 D	CABLE Throttle	1	1	1	1	1

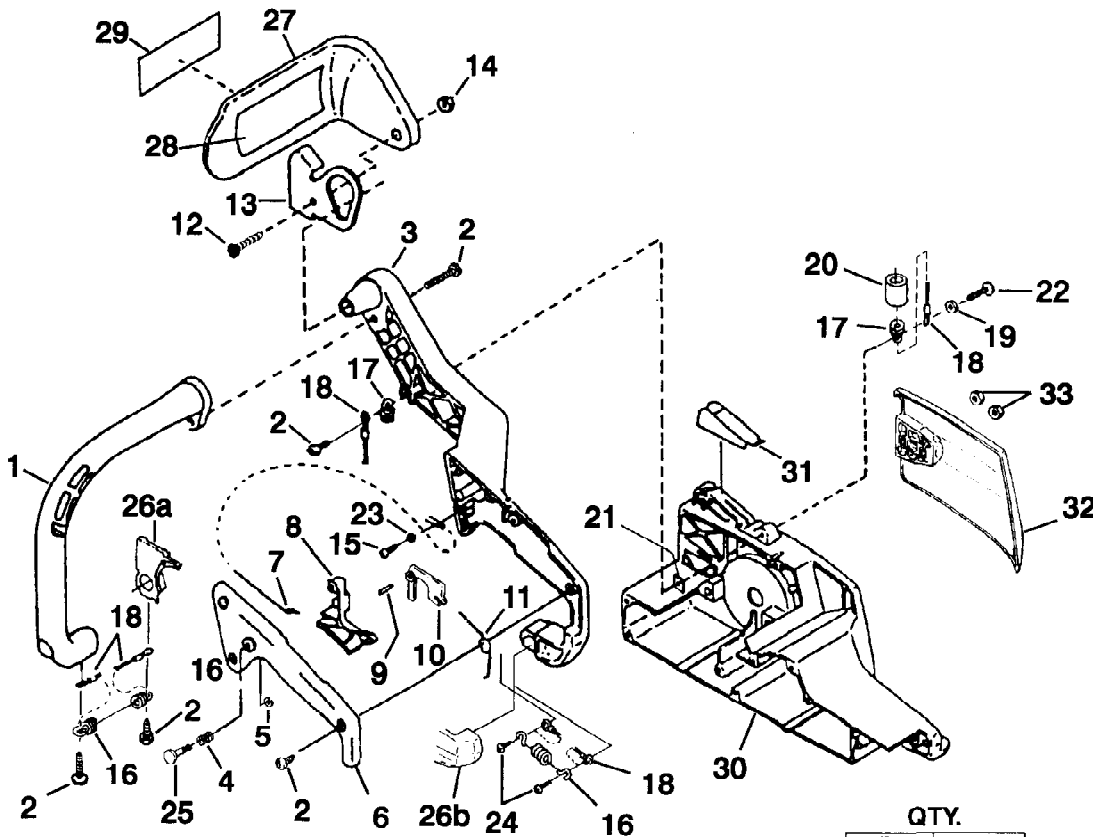
## ENGINE HOUSING



NO.	PART NO.	DESCRIPTION	QTY.				
			CS4018 CS440	250	252	300	CS5020 CS50
1	82545	SCREW- Thread Form (8-16 x 1 3/4")	3	3	3	3	3
2	82546	SCREW- Thread Form. (8-16 x 5/8")	4	4	4	4	4
3	00207 1B 01715 1A	HOUSING-Starter Side HOUSING-Starter Side	1	1	1		1
4	82558	SCREW-Thread Form. (10-14 x 1 1/8")	1	1	1	1	1
5	83056	WASHER-Lock	1	1	1	1	1
6	A 03720 B	HOUSING- Drive Side	1	1	1	1	1
7	03132	BOLT- Guide Bar	2	2	2	2	2
8	01805 A	DECAL- Panel	1	1	1	1	1
9	80864	SCREW-Hex Hd. (12-24 x 1")	2	2	2	2	2
10	95212	STOP- Chain	1	1	1	1	1
11	82537	SCREW- Thread Form (10-14 x 7/8")	1	1	1	1	1
12	01170	PLATE- Guide Bar (Outer)	1	1	1	1	1
13	82513	SCREW- Thread Form. (6-19 x 1/2")	1	1	1	1	1
14	98278	PLATE- Guide Bar (Inner)	1	1	1	1	1
15	65112 1	PIN- Adjusting	1	1	1	1	1
16	03139	SCREW- Guide Bar Adjusting	1	1	1	1	1
17	69599	RING- Snap	1	1	1	1	1
18	01183	BULB- Primer	1	1	1	1	1
19	06355	ROD- Choke	1	1	1	1	1
20	01802	SWITCH- Ign.	1	1	1	1	1
21	69889	BOOT- Throttle Cable	1	1	1	1	1
22	64862	GROMMET- Choke	1	1	1	1	1
23	01169	PANEL- Control	1	1	1	1	1
24	A 04583 A	CYLINDER COVER				1	1
25	01173 A	SCREEN- Air Inlet				1	1
26	02506	LABEL- Warning				1	1
24	A 02581 C	CYLINDER COVER	1	1	1		
25	01173 A	SCREEN- Air Inlet	1	1	1		
26	02506	LABEL- Warning	1	1	1		
27	01172	GROMMET- Carburetor	1	1	1		
28	01179 A	PLUG- Idle Speed	1	1	1		
29	09019	GROMMET- Carburetor				1	1
30	95792	SCREW- Round Hd. (10-24 x .710)	3	3	3	3	3
31	70810	NUT- Square (10-24)	3	3	3	3	3
32	86334	PIN-Cotter	1	1	1	1	1
33	A 06635	GUIDE BAR FASTENER KIT	1	1	1	1	1

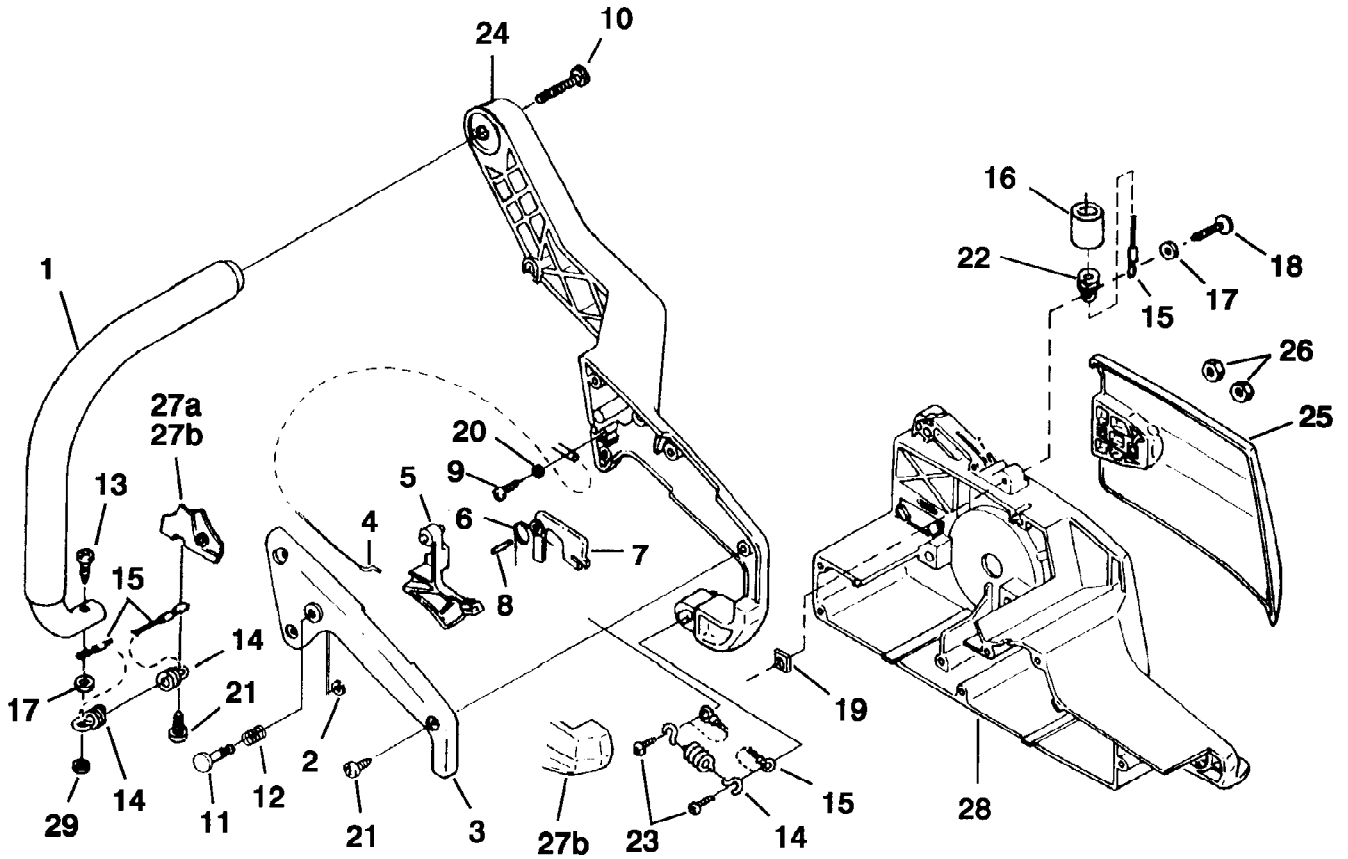
06/16/98

## HANDLES - CS40 - CS4018 - CS50 - CS5020



NO.	PART NO.	DESCRIPTION	QTY.	
			CS4018 CS40	CS5020 CS50
*	A 07217	HANDLE KIT	1	1
1	A 01175	HANDLE BAR	1	1
2	82546	SCREW, Thread Form (8-16 X 5/8")	7	7
3	07164	HANDLE-Rear	1	1
4	95020	SPRING-Compression	1	1
5	58409	RING, Retaining	1	1
6	00210 C	COVER-Rear Handle	1	1
7	00997 D	CABLE-Throttle	1	1
8	A 03806 A	TRIGGER & SWIVEL	1	1
9	70253	PIN-Dowel	1	1
10	93385 A	LOCK-Trigger	1	1
11	02316	SPRING-Trottle	1	1
12	80402 A	SCREW-Hex Cap	1	1
13	00258	MOUNTING BRACKET-Handguard	1	1
14	81258	NUT-Flange Hex	1	1
15	82513	SCREW, Thread Form (#6-19 X 7/8")	2	2
	A 07214	ISOLATOR KIT	1	1
16	01168	SPRING-Extension	2	2
17	02813	SPRING-Extension	1	1
18	03583	RETAINER-Spring	3	3
19	84008	WASHER-Flat (#10)	1	1
20	01813	SLEEVE-Spring	1	1
21	70810	NUT-Square (#10-24)	1	1
22	82562	SCREW-Pan Hd. (#10-24 X 7/8")	1	1
23	84123	WASHER-Flat	2	2
24	82546	SCREW-Thread Form (8-16 X 1/2)	2	2
25	95671	PIN-Throttle Lock	1	1
26a	00207 1B	HOUSING-Starter Side	1	
26b	01715 1A	HOUSING-Starter Side		1
27	A 95088 A	HANDGUARD	1	1
28	02661	DECAL-Kickback	1	1
29	00317 A	DECAL-Kickback	1	1
30	A 03720 B	ENGINE HOUSING-(Drive Side)	1	1
31	00234	COVER-Snap On	1	1
32	A 00226 A	DRIVE CASE COVER	1	1
33	81196	NUT-Hex (5/16"-18)	2	2

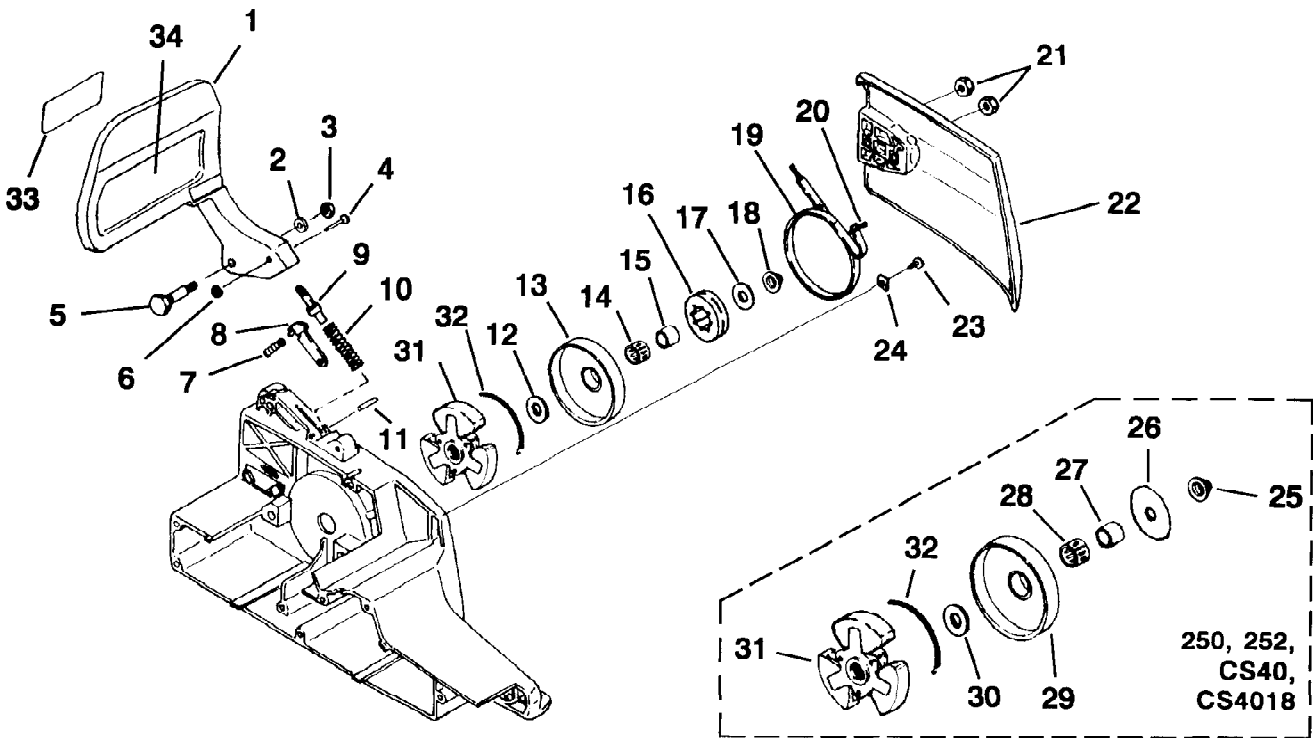
## HANDLES - 250 - 252 - 300



NO.	PART NO.	DESCRIPTION	QTY.		
			250	252	300
	A 07215	HANDLE KIT	1	1	1
1	A 03496	HANDLE BAR	1	1	1
2	58409	RING, RETAINING	1	1	1
3	00210 C	COVER, REAR HANDLE	1	1	1
4	00997 D	CABLE, THROTTLE	1	1	1
5	A 03806 A	TRIGGER, THROTTLE	1	1	1
6	02316	SPRING, THROTTLE	1	1	1
7	93385 A	LOCK, THROTTLE	1	1	1
8	70253	PIN, DOWEL	1	1	1
9	82513	SCREW, THREAD FORM (6-19 X 1/2")	1	1	1
10	80891	SCREW, HEX Hd (12-24 X 7/8")	1	1	1
11	95671	PIN, THROTTLE LOCK	1	1	1
12	95020	SPRING, COMPRESSION	1	1	1
13	96620	SCREW, TORX (10-24 X 1/2")	1	1	1
	A 07214	ISOLATOR KIT	1	1	1
14	01168	SPRING, EXTENSION	2	2	2
15	03583	RETAINER, SPRING	3	3	3
16	01813	SLEEVE, SPRING	2	2	2
17	84008	WASHER, FLAT (#12)	2	2	2
18	82562	SCREW, PAN Hd. (10-24 X 7/8")	1	1	1
19	70810	NUT, SQUARE (# 10-24)	1	1	1
20	84123	WASHER, FLAT	1	1	1
21	82546	SCREW, THREAD FORM (8-16 X 5/8")	5	5	5
22	02813	SPRING, EXTENSION	1	1	1
23	82546	SCREW, THREAD FORM (8-16 X 1/2")	2	2	2
24	07163	HANDLE, REAR	1	1	1
25	A 00226 A	COVER, DRIVE CASE	1	1	1
	81196	NUT, HEX	2	2	2
26	01715 1A	HSG., STARTER SIDE			1
27a		HSG., STARTER SIDE	1	1	
27b	00207 1B	HSG., STARTER SIDE			1
28	A 03720 B	ENG. HSG. DRIVE SIDE	1	1	1
29	81261	NUT, HEX	1	1	1

06/16/98

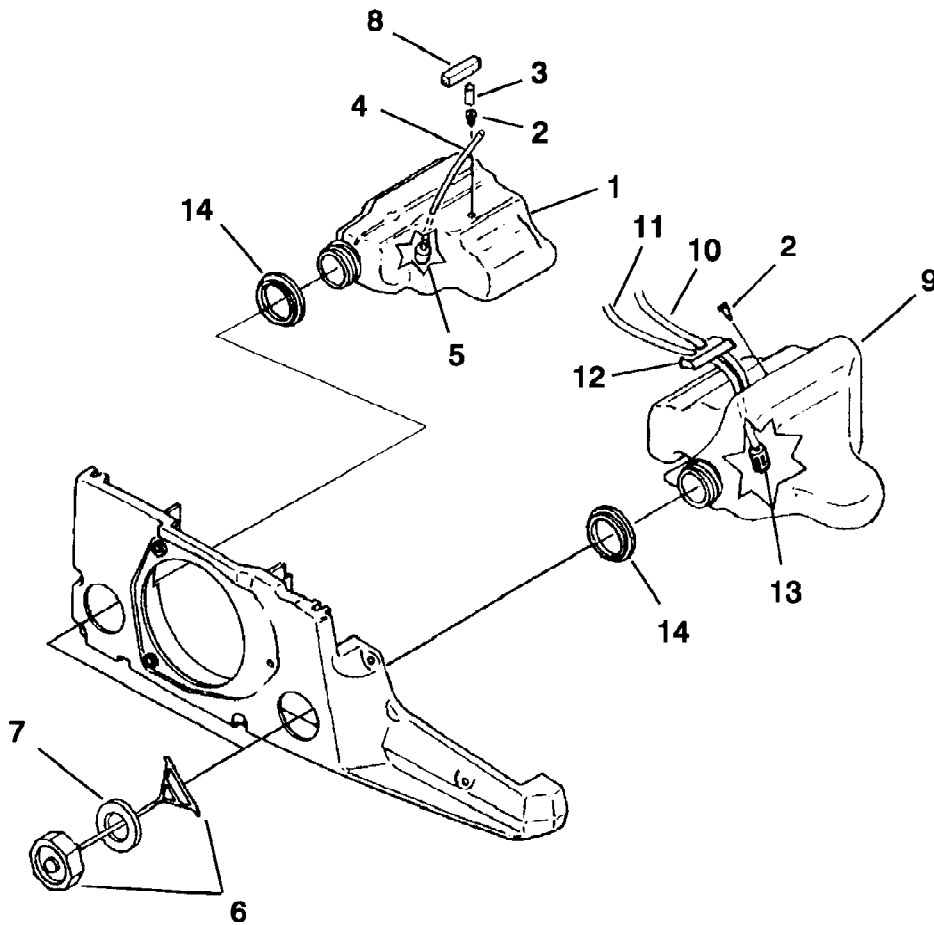
## CLUTCH & CHAIN BRAKE



NO.	PART NO.	DESCRIPTION	QTY.				
			CS4018 CS40	250	252	300	CS5020 CS50
1	A 06757	GUARD, HAND		1	1	1	
2	83203	WASHER, BELLVILLE		1	1	1	
3	98457	NUT - (M5)		1	1	1	
4	98422 A	PIN		1	1	1	
5	98461	SCREW, SHOULDER		1	1	1	
6	01820	RING, RETAINER		1	1	1	
7	98308	SPRING, COIL		1	1	1	
8	A 98317 A	BRAKE LATCH ASSY.		1	1	1	
9	A 00888 A	ADJUSTER, BRAKE		1	1	1	
10	00890 1A	SPRING, COMPRESSION		1	1	1	
11	98456	PIN		1	1	1	
12	58833	WASHER, THRUST (INNER)					1
13	A 02990	SPLINE & DRUM					1
14	02999	BEARING, NEEDLE					1
15	03039	RACE, INNER					1
16	07341	SPROCKET, RIM (.325 X 7T)					1
17	65027	WASHER, THRUST	1	1	1	1	1
18	81255	NUT, HEX LOCK (3/8"-24)	1	1	1	1	1
19	A 98298 B	BRAKE BAND ASSY		1	1	1	
20	06672	PIN, DOWEL		1	1	1	
21	81196	NUT, HEX	2	2	2	2	2
22	A 00226 A	COVER, DRIVE CASE	1	1	1	1	1
23	82513	SCREW, THREAD FORM (#6)		1	1	1	
24	01180	RETAINER, BRAKE BAND		1	1	1	
25	81255	NUT, HEX LOCK (3/8"-24)	1	1	1	1	1
26	65064	WASHER, THRUST	1	1	1		1
27	69423	RACE, INNER	1	1	1		1
28	64333	BEARING, NEEDLE	1	1	1		1
29	00996 A	SPROCKET & DRUM	1	1	1		1
30	65027	WASHER, THRUST	1	1	1		1
31	A 00995	CLUTCH ASSY	1	1	1	1	1
32	98453	SPRING, CLUTCH	1	1	1	1	1
33	02561 A	LABEL, KICKBACK		1	1	1	
34	02661	DECAL, SAFETY	1	1	1	1	1



### FUEL & OIL TANKS



NO.	PART NO.	DESCRIPTION	QTY.				
			CSA016 CS40	250	252	300	CS5020 CS60
1	• A 06636	OIL TANK ASSY.	1	1	1	1	1
2	03134	VALVE-Check	1	1	1	1	1
3	03585	PIN-Spirol	1	1	1	1	1
4	70310 29	TUBING- Rubber (7 1/4")	1	1	1	1	1
5	A 68593	FILTER- Oil	1	1	1	1	1
6	A 00904 A	CAP- Tank (w/Retainer)	1	1	1	1	1
7	02762 A	GASKET-Fuel Cap	1	1	1	1	1
8	69443	FILTER- Oil Tank Valve	1	1	1	1	1
9	• A 06637	FUEL TANK ASSY.	1	1	1	1	1
2	03134	VALVE- Check	1	1	1	1	1
6	A 00904 A	CAP- Tank (w/Retainer)	1	1	1	1	1
7	02762 A	GASKET-Fuel Cap	1	1	1	1	1
10	70310 21	TUBING-Rubber (5 1/4")	1	1	1	1	1
11	70310 36	TUBING- Rubber (9")	1	1	1	1	1
12	02952	FILTER- Foam	1	1	1	1	1
13	49422	FILTER- Fuel	1	1	1	1	1
14	00993	SAWDUST SEAL	2	2	2	2	2