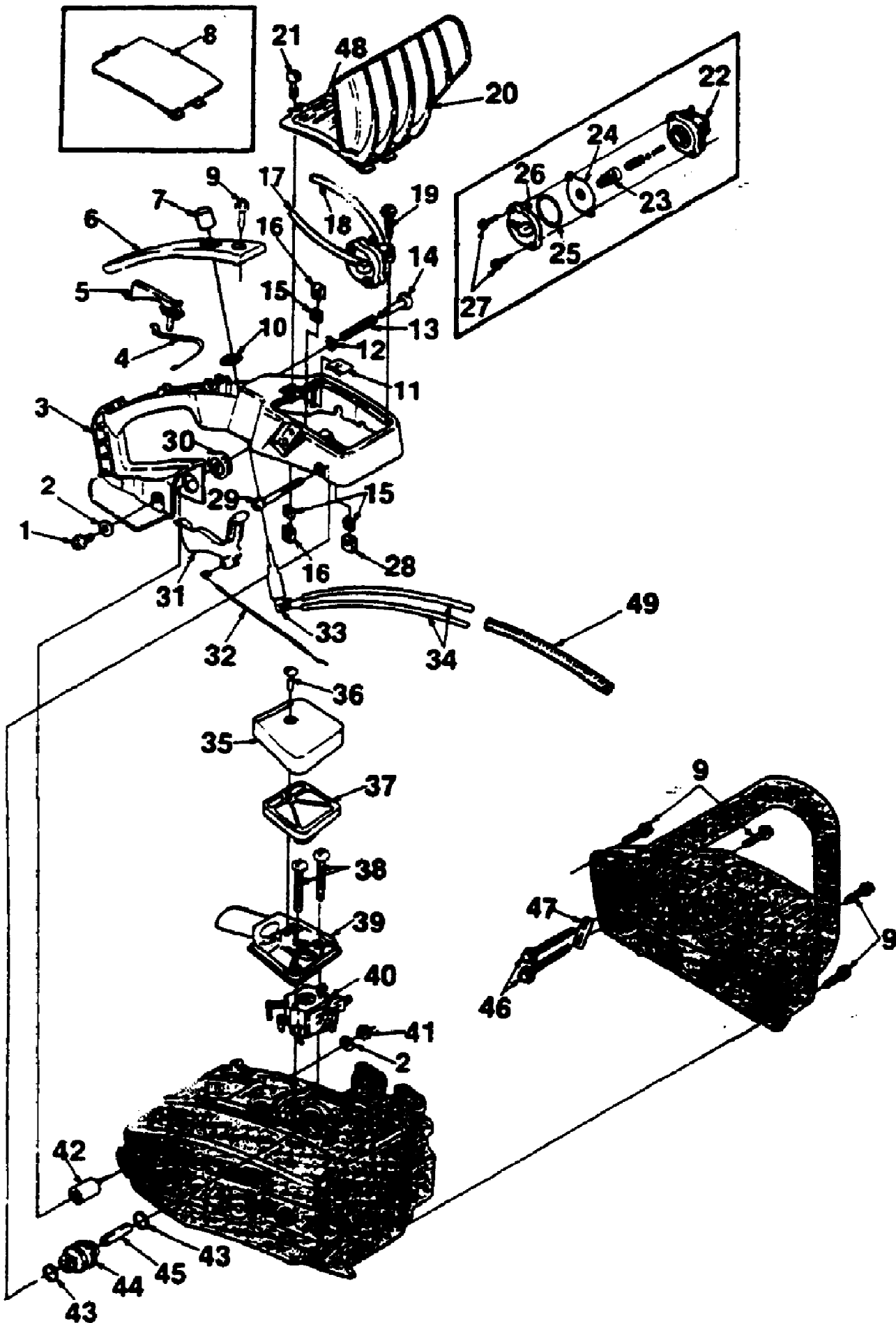


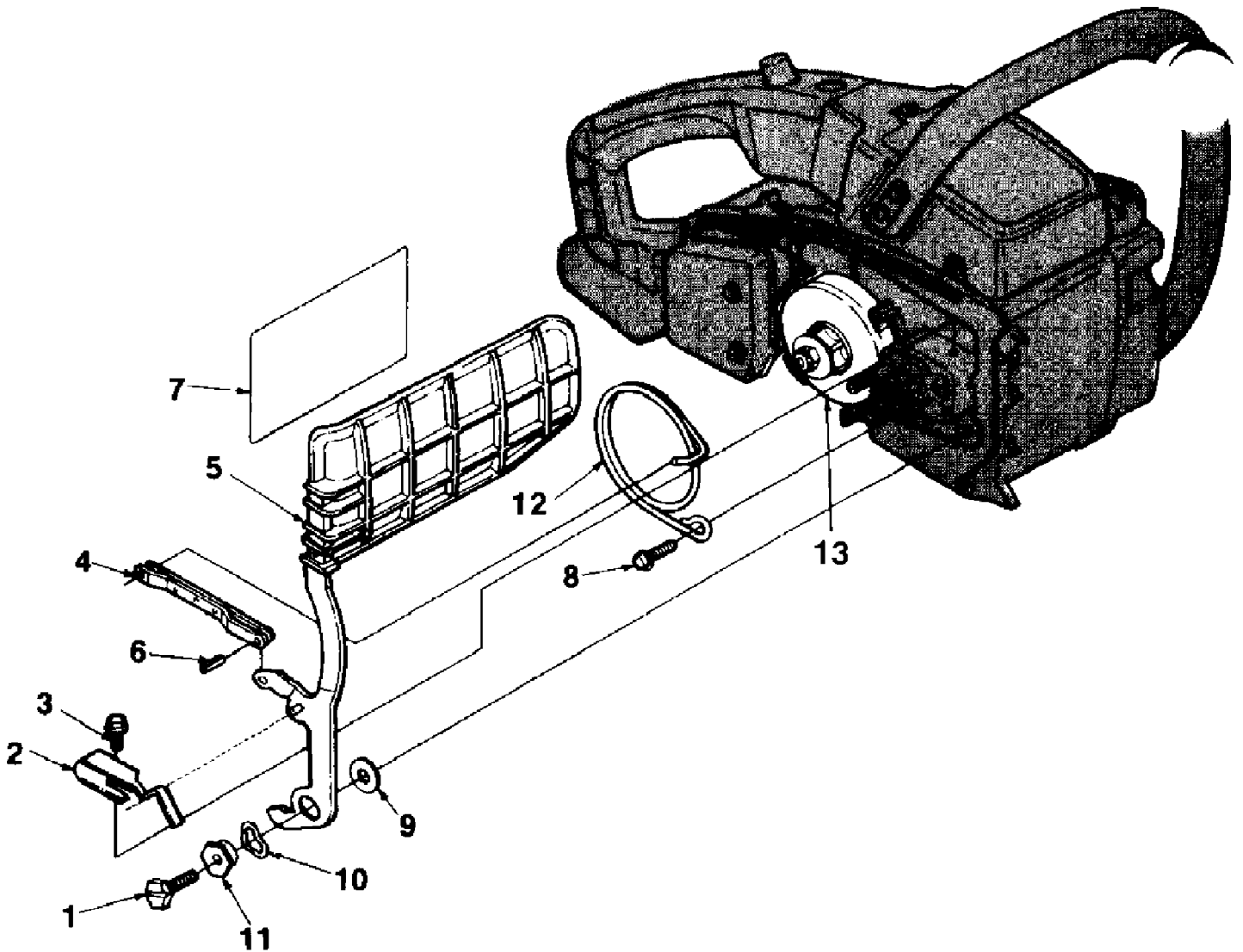
245 Chain Saw UT-10631-A
Air Filter & Handles & Oil Pump



245 Chain Saw UT-10631-A
Air Filter & Handles & Oil Pump

Page 2 of 16

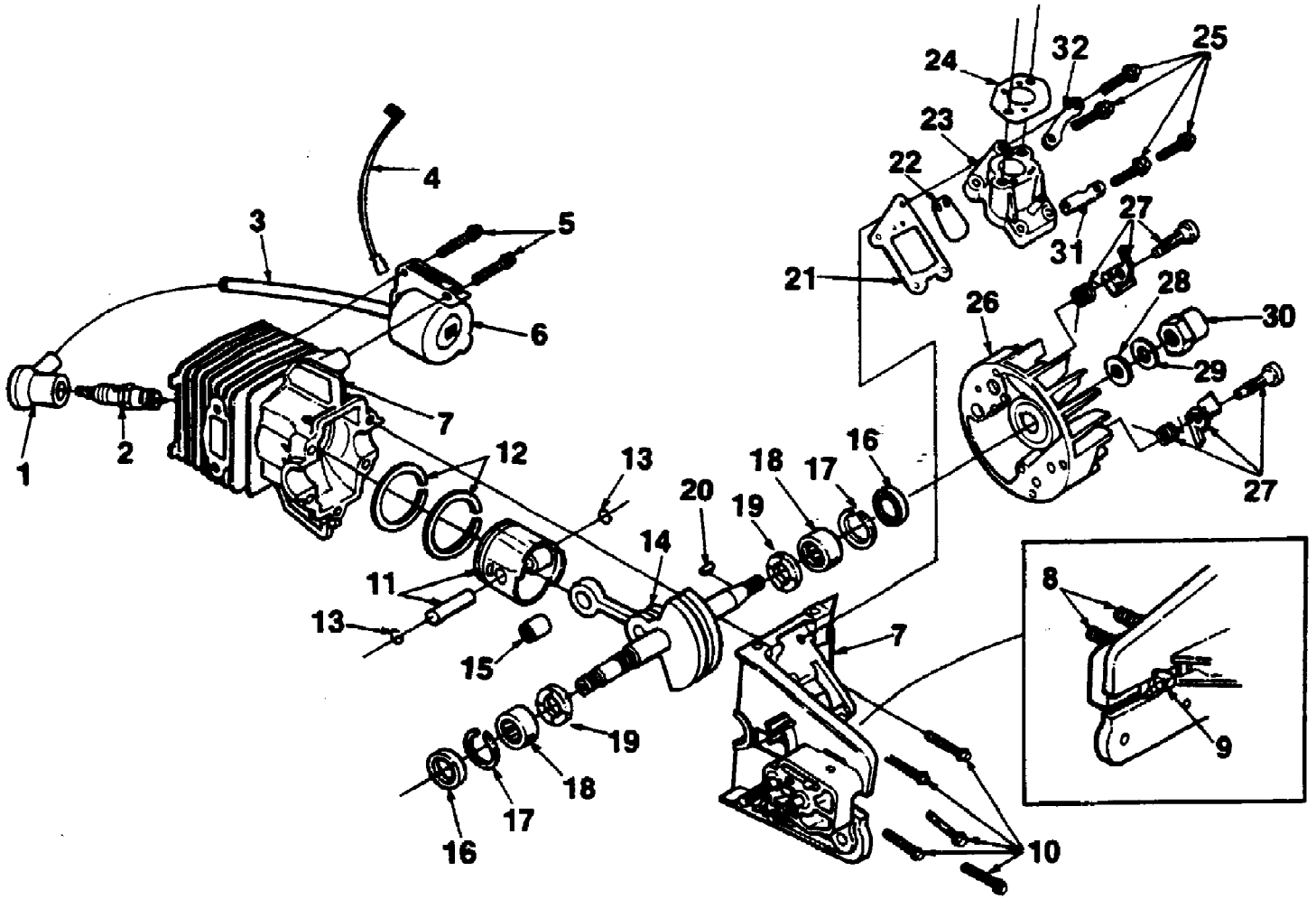
Ref #	Part Number	Qty	S/P/F	Description
1	80870	1	/P	SCREW- 10-32 x 3/8
2	84003	2	/P	WASHER- Flat #10
3	96224	1		CHAMBER- Carburetor
4	97076	1		SPRING- Throttle lock
5	96213	1		INTERLOCK- Trigger
6	96225	1		COVER- Handle
7	97072	1		BUTTON- Oil pump
8	A95297	1		COVER- Air filter (245 SL only)
	97596	1		SCREW- Retaining
9	70771	5	S	SCREW- #10 x 3/4
10	81266	1		NUT- Hex (15/32 x 32)
11	96576	1		NUT- Speed
12	58409	1	/P	RING- Retaining
13	95020	1	S	SPRING- Compression
14	95671	1	S	PIN- Throttle lock
15	70810	3	S	NUT- Square 10-24
16	95337	2		RETAINER- Nut
17	A96778	1		LINE- Pulse 3 1/4"
	95216	2		SPRING (not shown)
18	7031018	1	S	TUBING- (Oil outlet) 4 1/2" (Auto)
19	82312	1	/P	SCREW- Plastic #10 x 5/8
20	A93573A	1		GUARD- Hand (w/cover) (245HG only)
21	95217	1		SCREW- Retaining
22	A97524	1		BODY- Oil pump
23	69447	1	/P	SPRING- Oil pump
24	A95070	1	S	PLUNGER- Oil pump
25	96480	1	S	"O" RING
26	94919	1	S	COVER- Oil pump
27	82380	2		SCREW- Plastite #8-16 x 5/8
28	95375	1		RETAINER- Nut
29	96818	1	/P	SCREW- Soc. hd. cap(10-24 x 1 5/8)
30	96210	1		GROMMET
31	96209	1		TRIGGER- Throttle
32	97096	1	/P	CABLE- Control
33	97081	1		PUMP- Manual oil
34	7031027	2	/P	TUBING- 6 3/4"
35	96953	1		COVER- Air filter
36	95217	1		SCREW- Retaining
37	96952	1		FILTER- Air
38	96176	2		SCREW- Mach/hex 10-24 x 1 5/8
39	96951	1		BASE- Air filter
40	A97167	1		CARBURETOR- (Zama CIS-H8)
	A97168	1		CARBURETOR- (Walbro WT-19)
41	81256	1	/P	NUT- Lock hex (10-24)
42	96053	1	/P	ISOLATOR- Shear
43	70432A	2	S	RING- Vibration isolator
44	95868	1	/P	ISOLATOR
45	70433	1		SPACER-
46	82218	2	/P	SCREW- Hex (10-24 x 1 1/8)
47	96901	1		PLATE- Handle bar
48	97600	1		DECAL- Warning
49	97679	1		SLEEVE



245 Chain Saw UT-10631-A
Chain Brake

Page 4 of 16

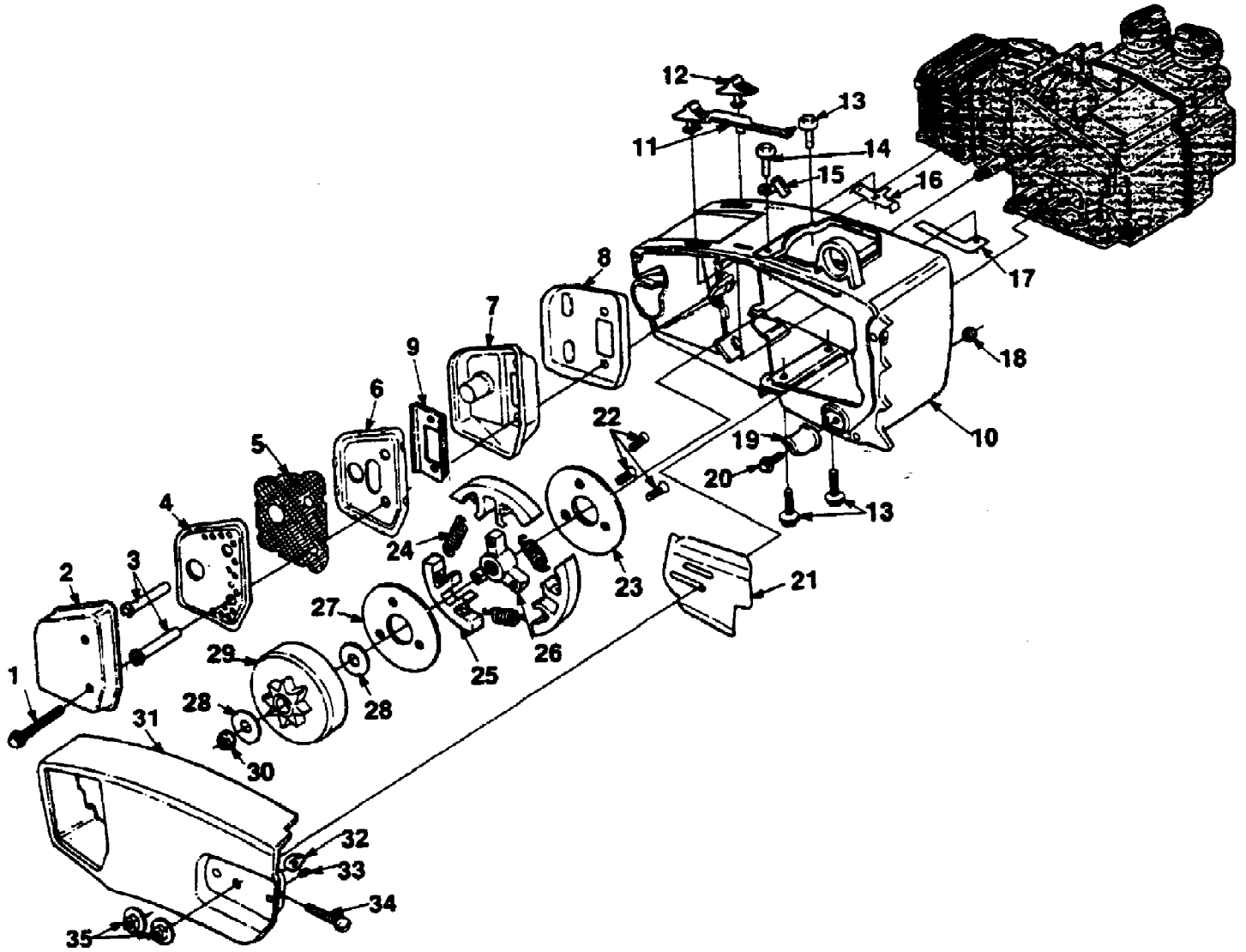
Ref #	Part Number	Qty	S/P/F	Description
1	80048	1	S	SCREW- Hex cap 1/4-20 x 5/8
2	95406	1		CLIP- Retaining
3	88048	1	S	SCREW- Hex Sems 10-24 x 3/8
4	A70767	1		LINK- Pivot
5	A97179	1		HAND GUARD
6	95395	1		PIN- Roll
7	96990	1		DECAL
8	88050	1	S	SCREW- Hex Sems 10-24 x 5/8
9	95397	1		WASHER- Thrust
10	95486	1		WASHER- Curved
11	96170	1		CAM- Brake lever
12	95482	1	S	BAND- Brake
13	A97056	1	/P	SPROCKET & DRUM .325P-8T
	68512	1	S	BEARING (not shown)



245 Chain Saw UT-10631-A
Engine Internals

Page 6 of 16

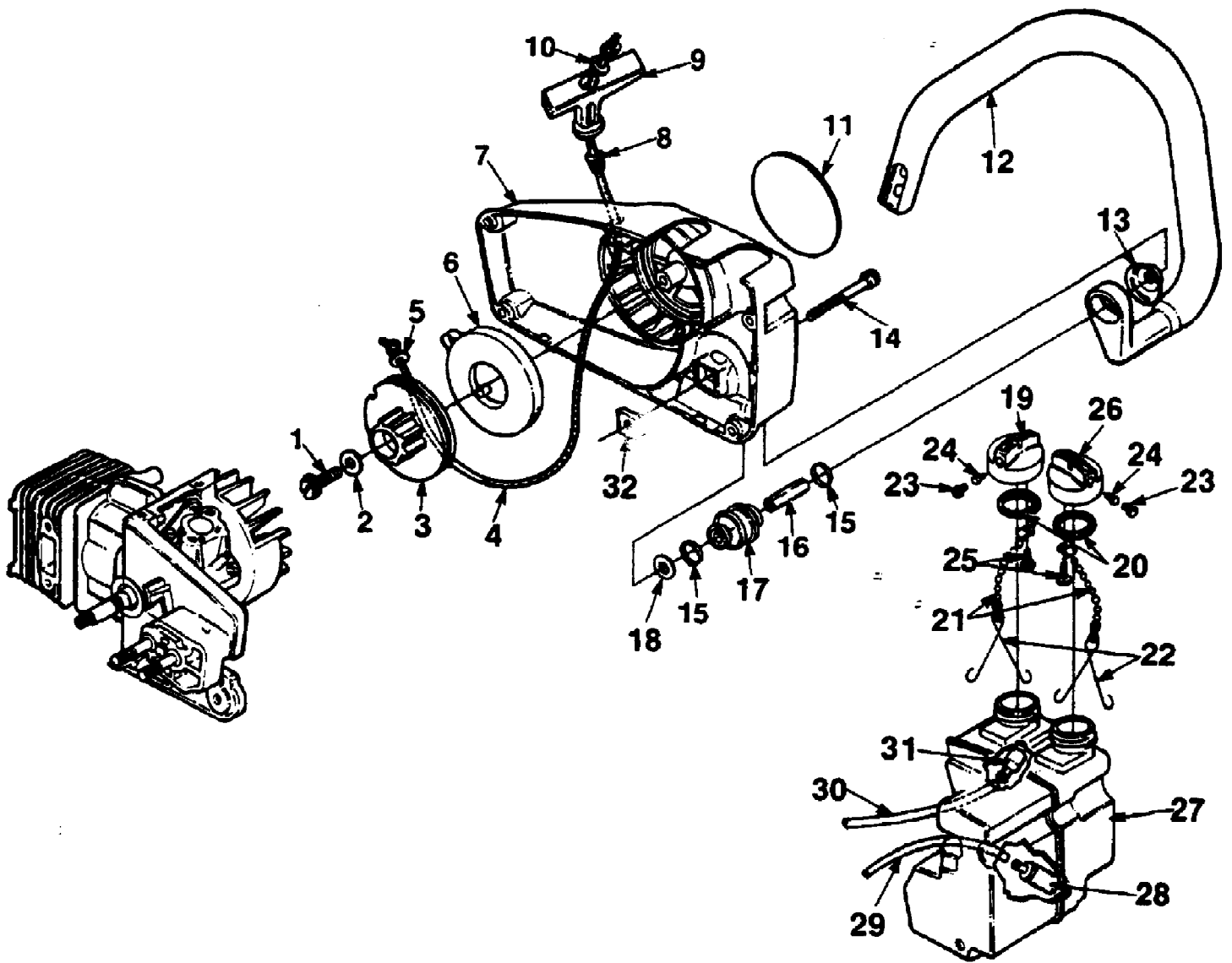
Ref #	Part Number	Qty	S/P/F	Description
1	A94754	1		TERMINAL- High tension lead
2	96169S	1	S	SPARK PLUG (DJ-7Y)
3	69326	1	F	LEAD- High tension
4	A96378	1	S	LEAD- Ground
5	82430	2		SCREW- Mach., hex hd. 8-32 x 7/8
6	947111	1		MODULE- Ignition (Includes items #1 and #3)
7	A96753A	1		CRANKCASE & CYLINDER
8	96083	2	/P	BOLT- Guide bar
9	50558	1		FITTING
10	96624	5	/P	SCREW- 10-24 x 1 1/8
11	A96751A	1		PISTON & PIN
12	94916	2		PISTON RINGS
13	65261	2	/P	RING- Retaining
14	A96752	1		CRANKSHAFT
15	97125	1		BEARING- Needle
16	94638	2	S	SEAL- Shaft
17	68514	2		RING- Retaining
18	12530	2		BEARING- Needle
19	95492	2		BEARING- Thrust
20	69250	1	/P	KEY- Magneto
21	94873	1		GASKET- Manifold
22	95983	1	S	REED
23	948721	1		MANIFOLD- Intake
24	95022A	1	S	GASKET- Carburetor
25	82291	4		SCREW- Hex washer 8-32 x 5/8
26	A95007	1	S	ROTOR- Magneto
27	A70285D	1	S	PAWL- Starter
28	84065	1	S	WASHER- Flat 5/16
29	83002	1	/P	WASHER- Lock 5/16
30	96255	1		NUT- Guide
31	96540	1		WASHER- Intake manifold
32	96539	1		WASHER- Intake manifold



245 Chain Saw UT-10631-A
Muffler & Clutch & Housing

Page 8 of 16

Ref #	Part Number	Qty	S/P/F	Description
	A96931	1		MUFFLER- Complete
1	95005	2		SCREW
2	948871	1		CAP- Muffler
3	9398308	2		SPACER
4	96928	1		BAFFLE- Muffler
5	956371	1		SCREEN- Spark arrestor
6	948881	1		BAFFLE- Muffler
7	A96930	1		BODY- Muffler
8	96925	1		DEFLECTOR- Exhaust
9	94889	1		PLATE- Muffler
10	A96754	1		HOUSING- Engine
11	95050	1	S	BUTTON- Choke
12	95086A	1		BUTTON- Stop switch
13	88063	3	/P	SCREW- Hex Sems 10-24 x 5/8
14	88050	1	S	SCREW- 10-24 x .625
15	94864	1		BRACKET- Cable
16	95087	1	/P	SPRING- Stop switch
17	95091	1		CONTACT- Stop switch
18	81256	1	/P	NUT- Lock 10-24
19	95212	1	/P	STOP- Chain
20	82298	1	S	SCREW- Mach hex 10-24 x 5/8
21	95390	1		PLATE- Guide bar
22	97605	3	/P	SCREW- Flat hd. 7/16-18
23	969191	1		COVER- Clutch (outer)
24	97053	3		SPRING- Ext.
25	A96749	3		SHOE- Clutch
26	96748	1		SPIDER- Clutch
27	96919	1		COVER- Clutch (inner)
28	95299	2	/P	WASHER- Thrust
29	A97172	1		SPROCKET & DRUM (37/375 chain only) 6T
	A97056	1	/P	SPROCKET & DRUM (325P, 8T)
	68512	1	S	BEARING- Needle
	A96522	1		SPROCKET & DRUM w/bearing (optional)
	A95458	1	/P	SPROCKET & DRUM 3/8", 7T
	64124	1	S	BEARING- Needle
	65746B	1	S	RACE- Inner
30	81112	1		NUT- Lock 5/16-24
31	A97057	1		COVER- Drivecase
32	692541A	1		PIN- Guide bar adjusting
33	93574	1	S	"E" RING
34	93575	1		SCREW- Guide bar adjusting
35	81258	2	S	NUT- Flange 1/4-20



245 Chain Saw UT-10631-A
Starter, Fuel & Oil Tank

Page 10 of 16

Ref #	Part Number	Qty	S/P/F	Description
1	70771	1	S	SCREW- #10 x 3/4
2	94062	1	/P	WASHER- Retainer
3	69158A	1	S	PULLEY- Starter
4	A93874A	1	S	ROPE- Starter #4 34"
5	93862	1	/P	WASHER- Nylon
6	A95233	1		SPRING & CONTAINER
7	A95210A	1		HOUSING- Starter
8	969811A	1	/P	BUSHING- Starter hsg.
9	70211	1	S	GRIP- Starter rope
10	84025	1	/P	WASHER- Flat #8
11	97052	1		DECAL-"245"
12	95931	1		HANDLE BAR
13	70440A	1		WASHER- Vibration isolator
14	96818	1	/P	SCREW- Soc. hd. cap (10-24 x 1 5/8)
15	70432A	2	S	RING- Vibration isolator
16	70433	1		SPACER
17	95868	1	/P	ISOLATOR
18	95249	1		WASHER- Flat
19	A96957	1		CAP- Oil
20	94494	1	/P	GASKET- Filler cap
21	69502	1		BEAD- Chain
22	96535	1	/P	RETAINER
23	69454	1	/P	FILTER- Fuel cap
24	69451	1	/P	VALVE
25	82256	1	S	SCREW- Pan hd.
26	A96936	1	S	CAP- Fuel
27	A97141	1		TANK- Fuel & oil
28	96639	1	S	FILTER- Fuel
29	7031026	1	S	TUBING- Fuel 6 1/2"
30	7031027	1	/P	TUBING- Oil outlet 6 3/4"
31	A68593	1		FILTER- Oil
32	95213	1		NUT- Square 10-24

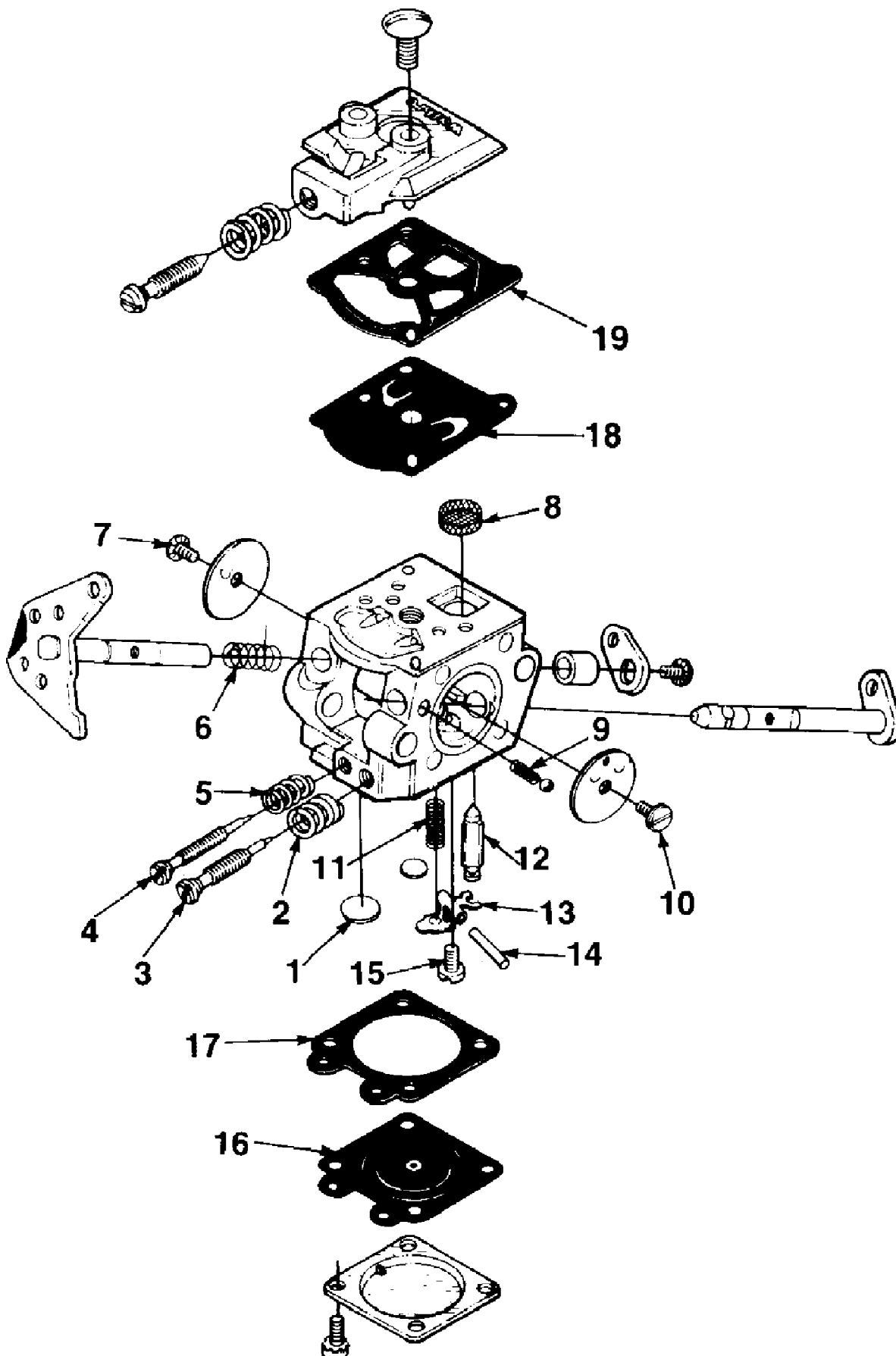
TOOLS

SILASTIC (Crankcase sealing)	24823
LOCTITE	23488-C
PULLER- Magneto rotor	A-24747-A
Includes:	
BOLT- 5/16-18 x 1 3/4 (1)	80288
NUT- Hex 5/16-18 (2)	81196
WRENCH- Spanner (clutch)	A-93791
Includes:	
PIN- Clutch spanner	23717-A
WRENCH- Combination	A-17705
TOOL- Clutch	A-17770

ACCESSORIES

GREASE- Multi use	17193
TUBING- 10 ft. (Fuel & Oil)	70310-99
SAFE•T•TIP- (Standard on units)	DA-70776-A
Includes:	
SCREW- (Special)	93695
TUBING- 10 ft. (pulse line)	95201-99
ROPE- Starter 250 ft. #4	68848
BUMPER- Spiked	A-97046
Includes:	
SCREW- Mach-flat	80310
SCREW- (10-24 x 1/2)	80672
NUT- Locking hex	81256

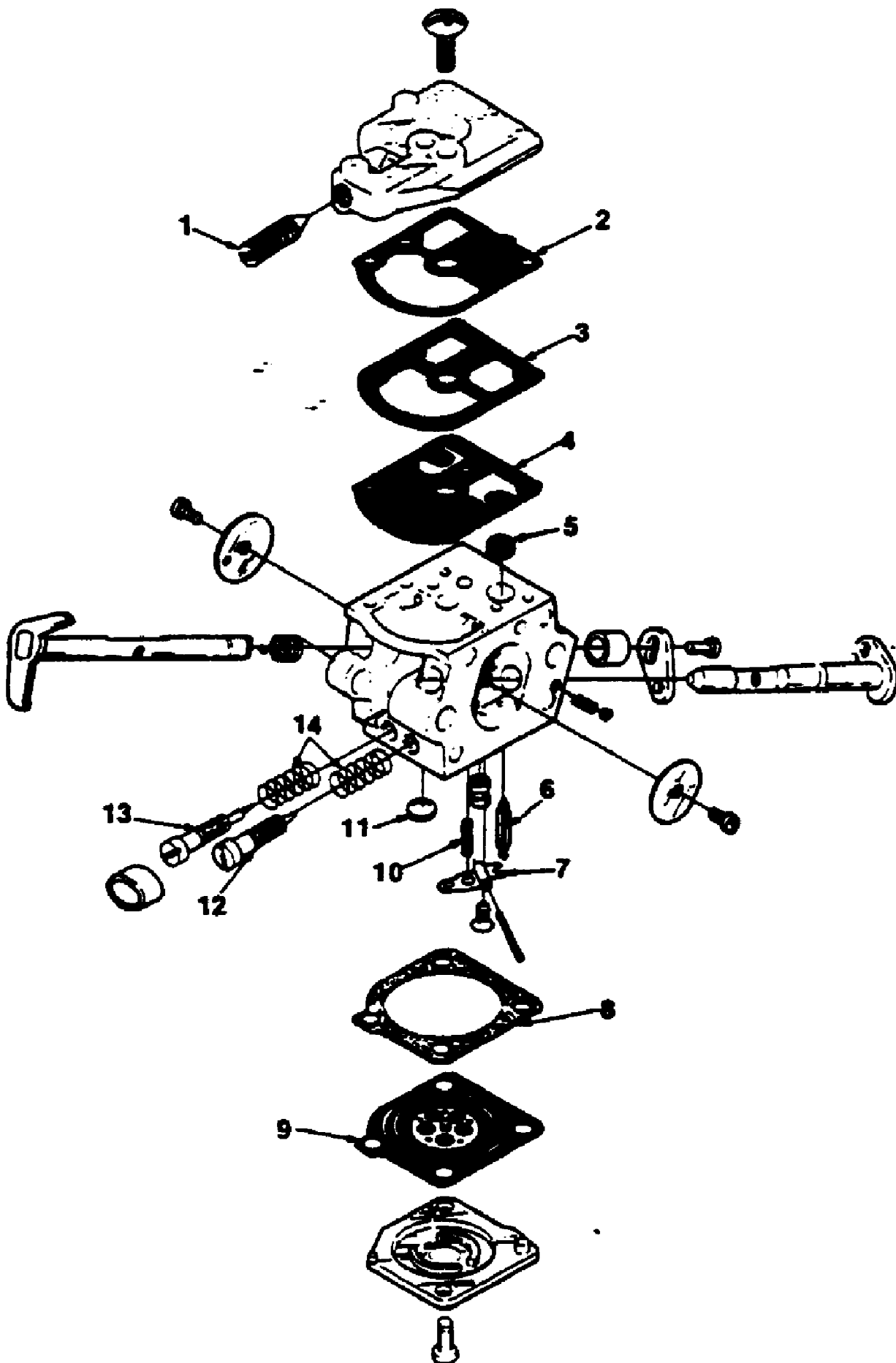
Ref #	Part Number	Qty	S/P/F	Description
24823	24823	1	S	SILASTIC (Crankcase sealing)
23488C	23488C	1		LOCTITE
A24747A	A24747A	1		PULLER- Magneto rotor
80288	80288	1		BOLT- 5/16-18 x 1 3/4 (1)
81196	81196	1	S/P	NUT- Hex 5/16-18 (2)
A-93791	A93791	1	/P	WRENCH- Spanner (clutch)
23717A	23717A	1	/P	PIN- Clutch spanner
A-17705	A17705	1	S	WRENCH- Combination
A-17770	A17770	1		TOOL- Clutch
17193	17193	1		GREASE- Multi use
7031099	7031099	1	S	TUBING- 10 ft. (Fuel & Oil)
DA-70776-A	DA70776A	1		SAFE-T-TIP- (Standard on units)
93695	93695	1		SCREW- (Special)
9520199	9520199	1	/P	TUBING- 10 ft. (pulse line)
68848	68848	1	/P	ROPE- Starter 250 ft. #4
A-97046	A97046	1		BUMPER- Spiked
80310	80310	1		SCREW- Mach-flat
80672	80672	1	S	SCREW- (10-24 x 1/2)
81256	81256	1	/P	NUT- Locking hex



245 Chain Saw UT-10631-A
Walbro Carburetor

Page 14 of 16

Ref #	Part Number	Qty	S/P/F	Description
1	96986	1		REPAIR KIT
2	96986	1		REPAIR KIT
3	96986	1		REPAIR KIT
4	96986	1		REPAIR KIT
5	96986	1		REPAIR KIT
6	96986	1		REPAIR KIT
7	96986	1		REPAIR KIT
8	96986	1		REPAIR KIT
9	96986	1		REPAIR KIT
10	96986	1		REPAIR KIT
11	96986	1		REPAIR KIT
12	96986	1		REPAIR KIT
	96915	1		INLET NEEDLE
13	96986	1		REPAIR KIT
14	96986	1		REPAIR KIT
15	96986	1		REPAIR KIT
16	96986	1		REPAIR KIT
	96944	1		GASKET/DIA-KIT
17	96986	1		REPAIR KIT
	96944	1		GASKET/DIA-KIT
18	96986	1		REPAIR KIT
	96944	1		GASKET/DIA-KIT
19	96986	1		REPAIR KIT
	96944	1		GASKET/DIA-KIT



245 Chain Saw UT-10631-A
Zama Carburetor

Page 16 of 16

Ref #	Part Number	Qty	S/P/F	Description
1	96646A	1		REPAIR KIT
2	96646A	1		REPAIR KIT
3	96646A	1		REPAIR KIT
4	96646A	1		REPAIR KIT
5	96646A	1		REPAIR KIT
6	96646A	1		REPAIR KIT
7	96646A	1		REPAIR KIT
8	96646A	1		REPAIR KIT
9	96646A	1		REPAIR KIT
10	96646A	1		REPAIR KIT
11	96646A	1		REPAIR KIT
12	96646A	1		REPAIR KIT
13	96646A	1		REPAIR KIT
14	96646A	1		REPAIR KIT