

PART NO. 17601
PRINTED IN U.S.A.
PRICE 35¢



PARTS LIST

VIBRATION-ISOLATED
CHAIN SAWS

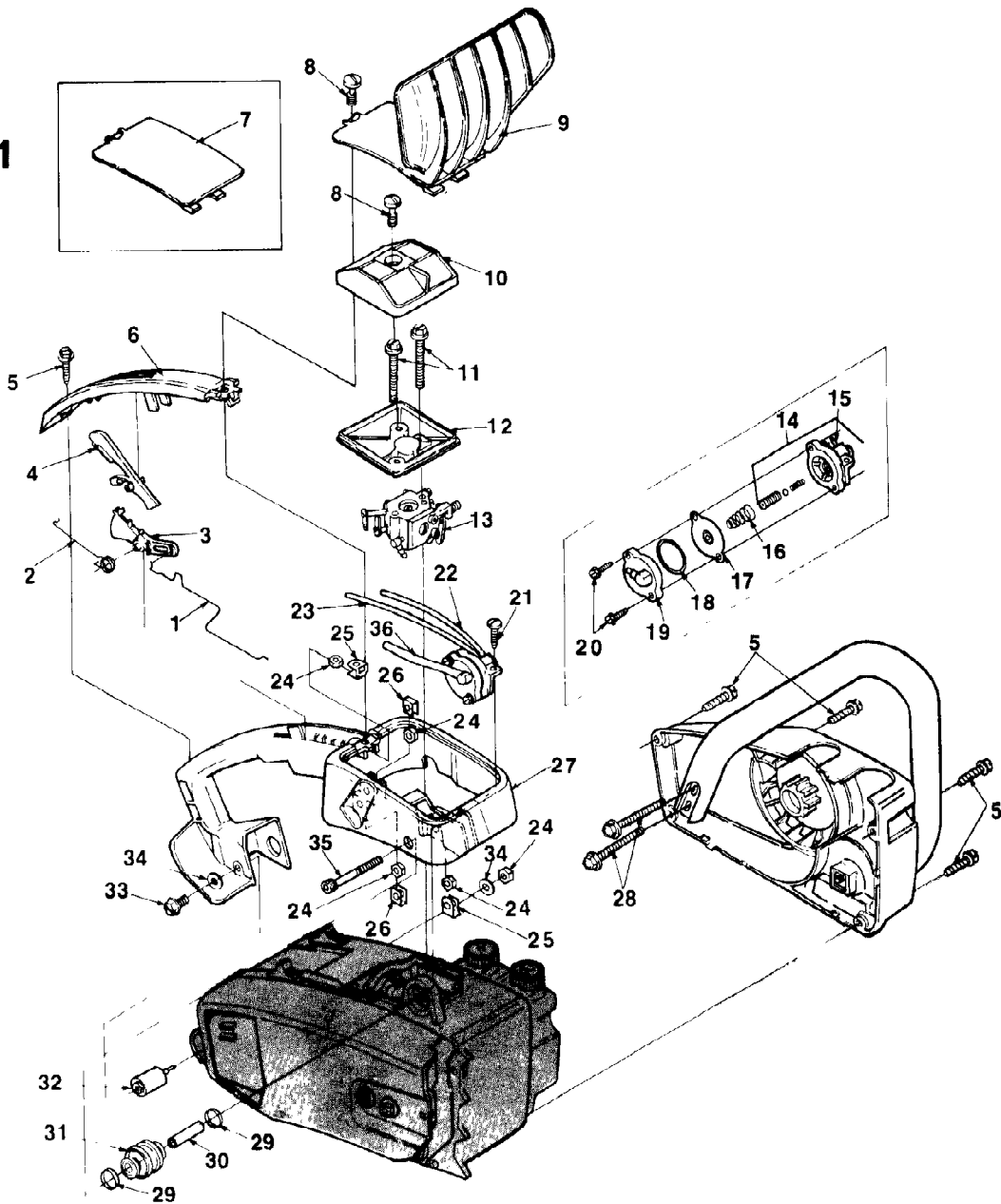
240	UT10588
	UT10588-4
	UT10621
	UT10625
	UT10625-A
240HG	UT10622
	UT10626
240SL	UT10589
	UT10589-4
	UT10627



HOMELITE **TEXTRON**

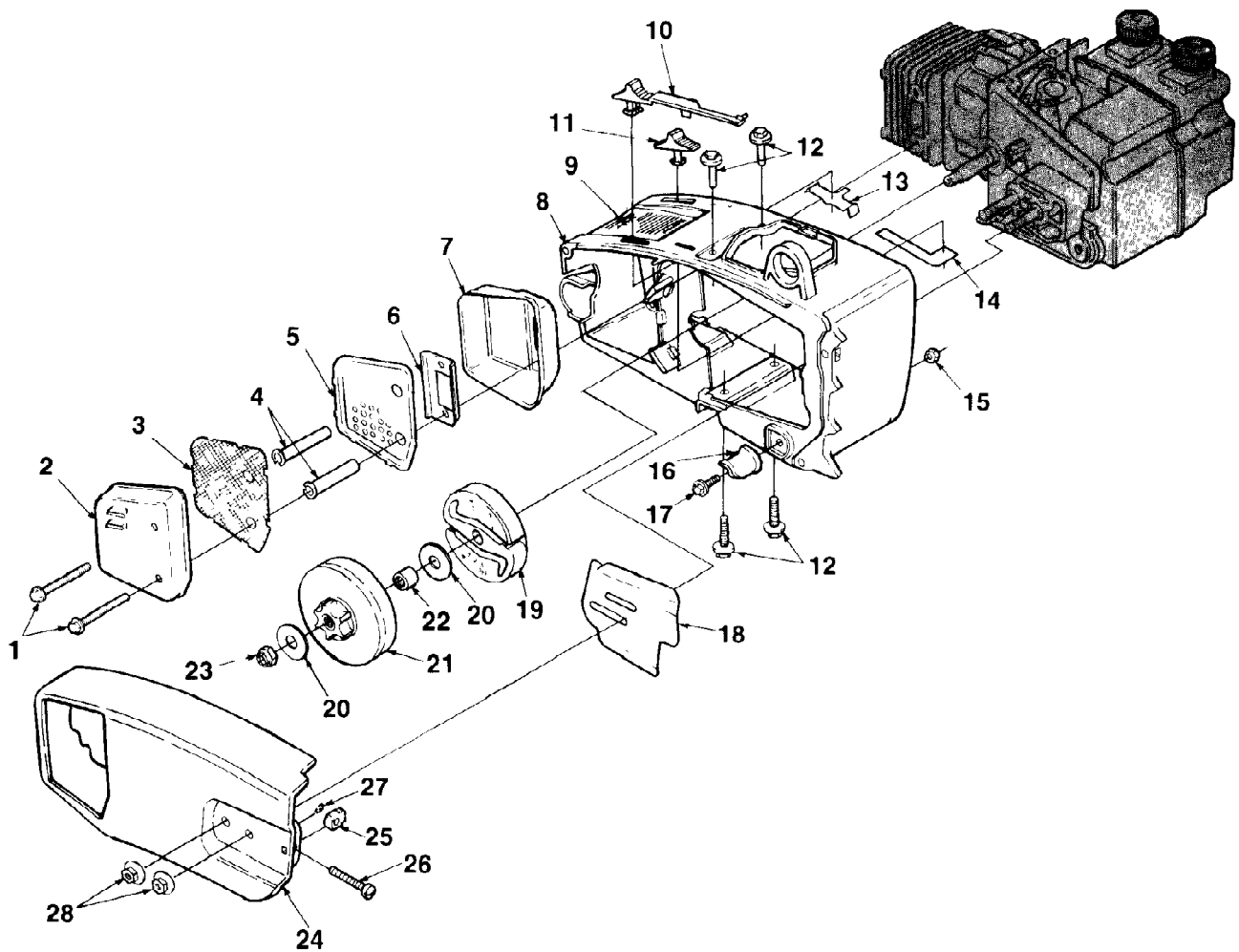
Homelite Division of Textron Inc

**240-HG
240-SL
FIGURE 1**



NO.	DESCRIPTION	PART NO.	QTY	NO.	DESCRIPTION	PART NO.	QTY.
1	ROD- Throttle	95036	1	18	"O" RING	96480	1
2	SPRING- Torsion	95222	1	19	COVER- Oil pump	94919	1
3	TRIGGER- Throttle	95032	1	20	SCREW- Plastite 8-16 x 5/8	82380	2
4	INTERLOCK- Trigger	95038	1	21	SCREW- Plastite #10 x 5/8	82312	1
5	SCREW #10 x 3/4	70771	5	22	TUBING- (Oil outlet) 7 1/2"	70310-30	1
6	COVER- Handle	95211	1	23	TUBING- (Oil inlet) 5"	70310-20	1
7	COVER- Air filter (240 SL only)	A-95297	1	24	NUT- Lock, hex 10-24	81256	5
	Includes			25	RETAINER- Nut	95375	2
8	SCREW- Retaining	95217	1	26	RETAINER- NUT	95337	2
9	GUARD- Hand (w/cover) 240 HG only	A-93573	1	27	CHAMBER- Filter	95069	1
	Includes			28	SCREW- Hex, washer		
	SCREW- Retaining (See #8)	95217	1		10-24 x 1 1/8	82218	2
10	FILTER ELEMENT- Top	A-96349	1	29	RING- Vibration isolator	70432-A	2
	Includes			30	SPACER	70433	1
	SCREW- Retaining (See #8)	95217	1	31	ISOLATOR	95868	1
11	SCREW- Mach , hex 10-24 x 1 5/8	96176	2	32	ISOLATOR- Shear	96053	1
12	CUP- Filter	95083	1	33	SCREW 10-32 x 3/8	80870	1
13	CARBURETOR (Zama C-1S-H4)	A-96352	1	34	WASHER- Flat #10	84003-1	2
14	BODY- Oil pump	A-95301	1	35	SCREW- Soc hd , cap,		
	Includes				10-24 x 1 3/4	82377	1
15	FITTING- Tube	94619	2	36	LINE- Pulse 3 1/4"	A-96778	1
16	SPRING- Oil pump	69447	1		Includes		
17	PLUNGER- Oil pump	A-95070	1		SPRING (Not shown)	95216	1

**240-HG
240-SL
FIGURE 2**

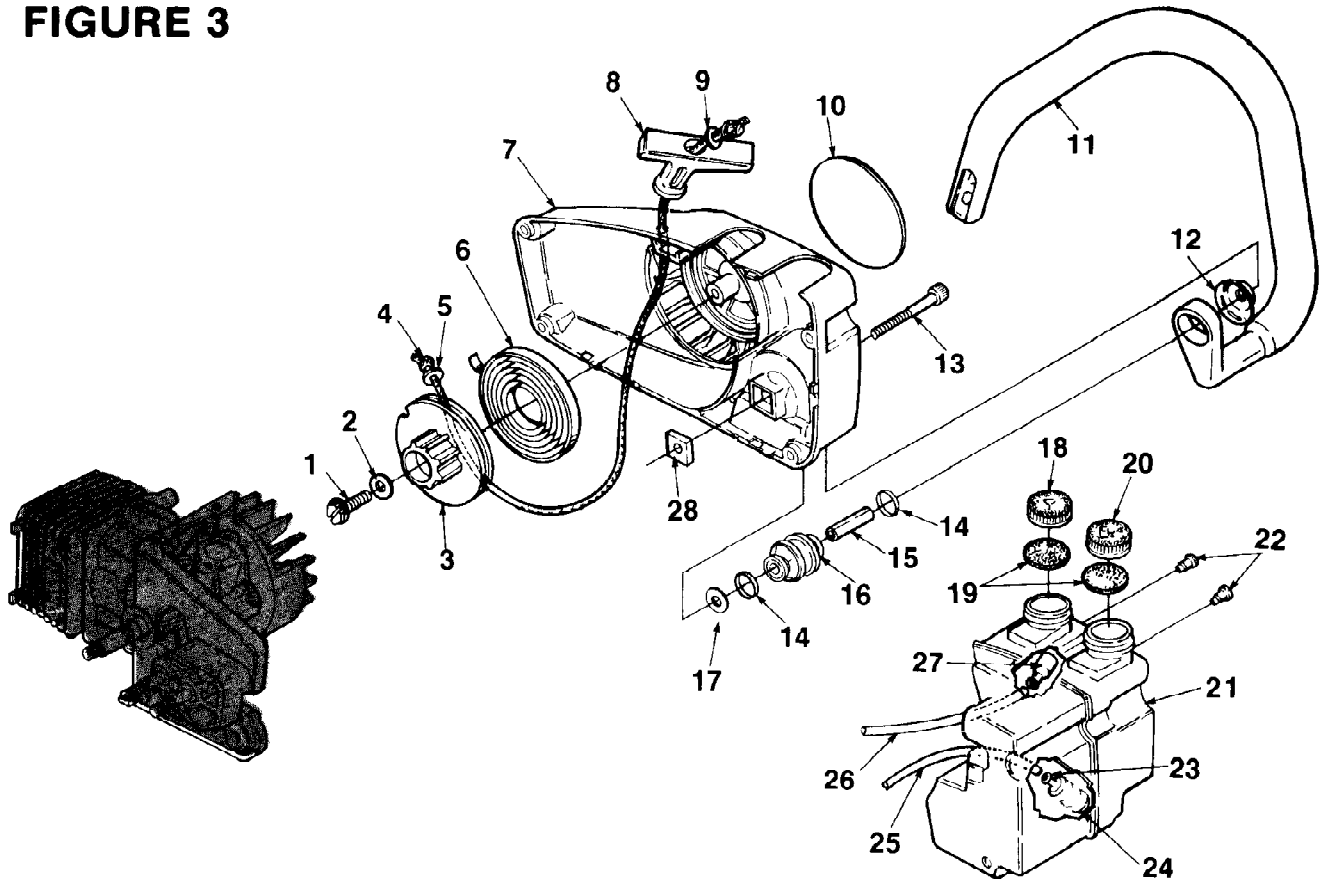


NO.	DESCRIPTION	PART NO	QTY	NO.	DESCRIPTION	PART NO.	QTY.
1	SCREW- Hex, Sems 10-24 x 2	88057	2	15	NUT- Lock 10-24	81256	1
2	CAP- Muffler	94887	1	16	STOP- Chain	95212	1
3	SCREEN- Spark arrester	95637	1	17	SCREW- Mach hex 10-24 x 5/8	82298	1
4	SPACER- Muffler	93983-07	2	18	PLATE- Guide bar	95390	1
5	BAFFLE- Muffler	94888	1	19	'S CLUTCH	68362-6	1
6	PLATE- Muffler	94889	1	20	WASHER- Thrust	95299	2
7	BODY- Muffler	94886	1	21	SPROCKET & DRUM 3 8 6 Tooth	A-95371	1
8	HOUSING- Engine	A-96754	1		Includes		
	Includes			22	BEARING- needle	68512	1
9	DECAL- Warning	95633	1	23	NUT- Lock 5/16-24	81112	1
10	BUTTON- Choke	95050	1	24	COVER- Drivecase	A-93591	1
11	BUITON- Stop switch	95086	1		Includes		
12	SCREW- Hex , sems, 10-24 x 5/8	88063	4	25	PIN- Guide bar adjusting	69254-1A	1
13	SPRING- Stop switch	95087	1	26	SCREW- Guide bar adjusting	93575	1
14	CONTACT- Stop switch	95091	1	27	'E" RING	93574	1
				28	NUT- Flange 1/4-20	81258	2

ALWAYS FURNISH MODEL AND SERIAL NUMBER WHEN ORDERING PARTS

**240-HG
240-SL**

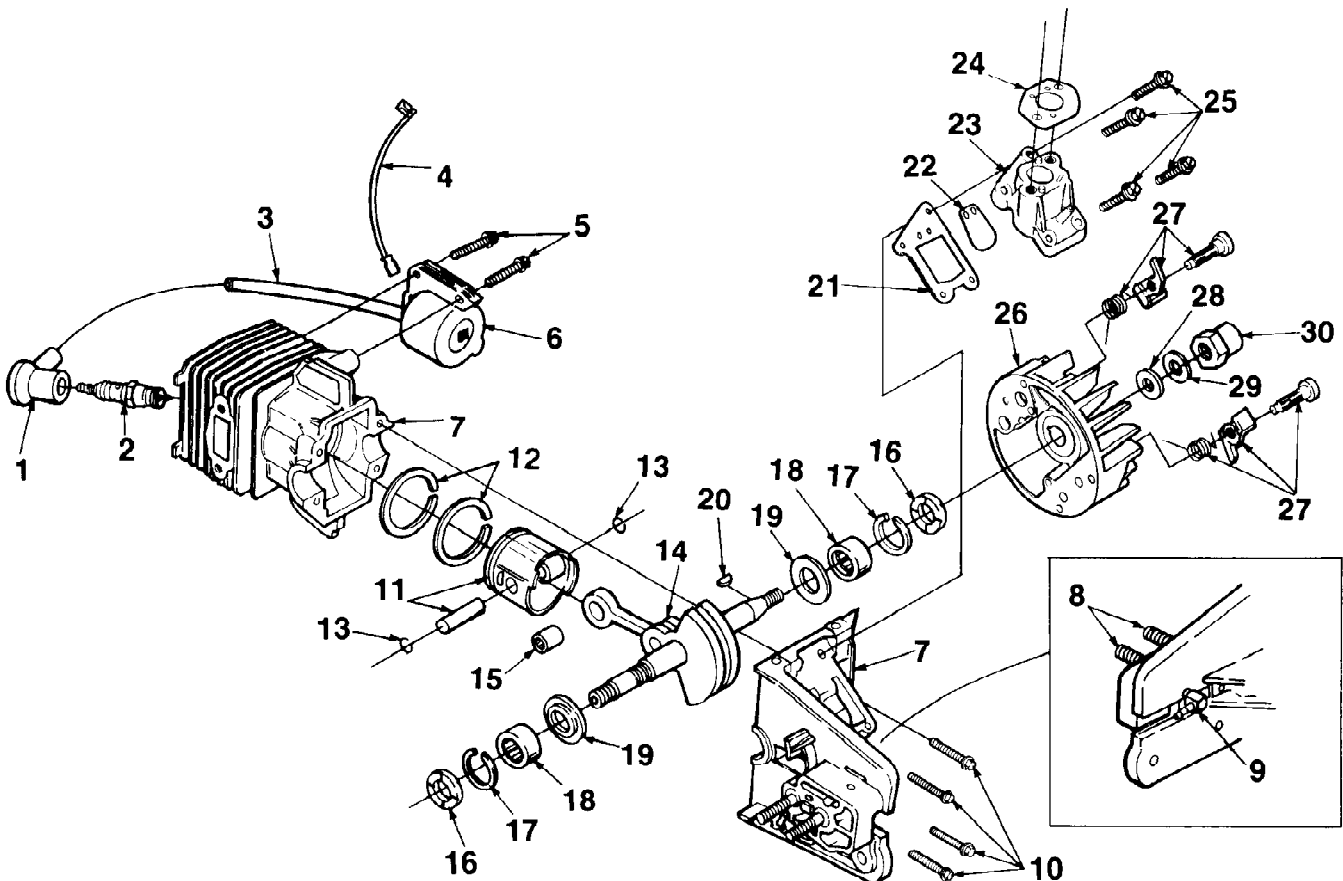
FIGURE 3



NO.	DESCRIPTION	PART NO.	QTY.	NO.	DESCRIPTION	PART NO.	QTY.
1	SCREW- #10 x 3/4	70771	1	16	ISOLATOR	95868	1
2	WASHER- Retainer	63606-1	1	17	WASHER- Flat	95249	1
3	PULLEY- Starter	69158-A	1	18	CAP- Oil	A-70893-B	1
4	ROPE- Starter #4 34"	A-93874-A	1		Includes		
5	WASHER- Nylon	93862	1	19	GASKET- Filler cap	94838-A	1
6	SPRING- Rewind	69217	1	20	CAP- Fuel	A-70894-B	1
7	HOUSING- Starter	A-95210	1		Includes		
8	GRIP- Starter rope	70211	1		GASKET- (See #19)	94838-A	1
9	WASHER- Flat #8	84025	1	21	TANK- Fuel & Oil	A-93572	1
10	DECAL- "240"	93571	1		Includes		
11	HANDLE BAR	95931	1	22	VALVE- Check (duck bill)	69451	2
12	WASHER- Vibration isolator	70440-A	1	23	FILTER- Fuel	A-69923	1
13	SCREW- Fuel cap				Includes		
14	RINGS- Vibration isolator	70432-A	2	24	FILTER- Fuel	64083	1
15	SPACER	70433	1	25	TUBING (Fuel) 6 1/2"	70310-26	1
				26	TUBING (Oil outlet) 7 1/2"	70310-30	1
				27	FILTER- Oil	A-68593	1
				28	NUT- Square 10-24	95213	1

**240-HG
240-SL**

FIGURE 4



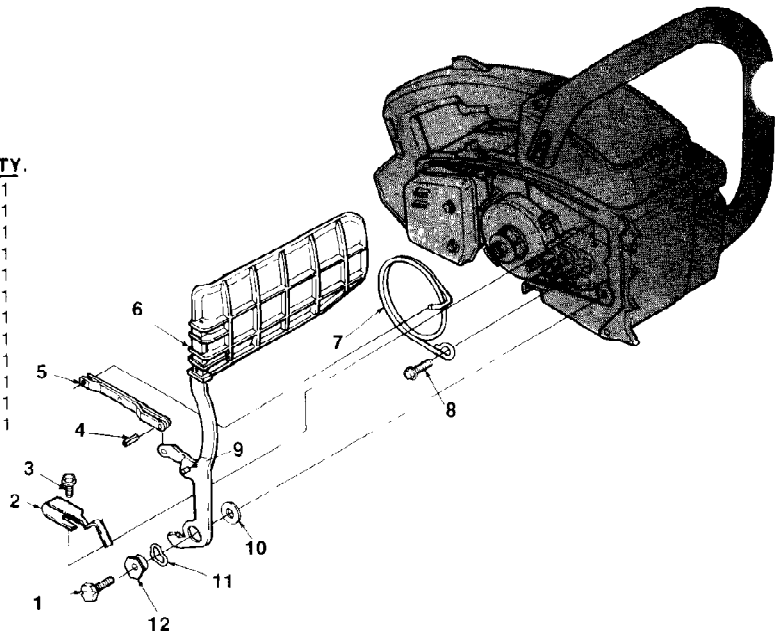
NO.	DESCRIPTION	PART NO.	QTY.	NO.	DESCRIPTION	PART NO.	QTY.
1	TERMINAL- High tension lead	A-94754	1	14	CRANKSHAFT	A-96752	1
2	SPARK PLUG (DJ-7Y)	96169-S	1	15	Includes		
3	LEAD- High tension (Note 1)	69326	1	15	BEARING- Needle	95439	1
4	LEAD- Ground	A-96378	1	16	SEAL- Shaft	94638	2
5	SCREW- Mach hex, hd 8-32 x 7/8	82430	2	17	RING- Retaining	68514	2
6	MODULE- Ignition			18	BEARING- Needle	12530	2
	(includes items #1 and #3)	94711-1	1	19	BEARING- Thrust	95492	2
7	CRANKCASE & CYLINDER	A-96753	1	20	KEY- Magneto	69250	1
	Includes			21	GASKET- Manifold	94873	1
8	BOLT- Guide bar	96083	2	22	REFD	95983	1
9	FITTING	50558	1	23	MANIFOLD- Intake	94872	1
10	SCREW- 10-24 x 1 1/8	96624	4	24	GASKET- Carburetor	95022	1
11	PISTON & PIN	A-96751	1	25	SCREW- Hex washer 8-32 x 5 8	82291	4
	Includes			26	ROTOR- Magneto	A-94717-A	1
12	PISTON RING	94916	2		Includes		
13	RING- Retaining	65261	2	27	PAWL- Starter	A-70285-B	1
				28	WASHER- Flat 5/16	84065-1	1
				29	WASHER- Lock 5/16	83002	1
				30	NUT- Guide	96255	1

NOTE 1: Cut replacement lead to 6 1/2'

ALWAYS FURNISH MODEL AND SERIAL NUMBER WHEN ORDERING PARTS

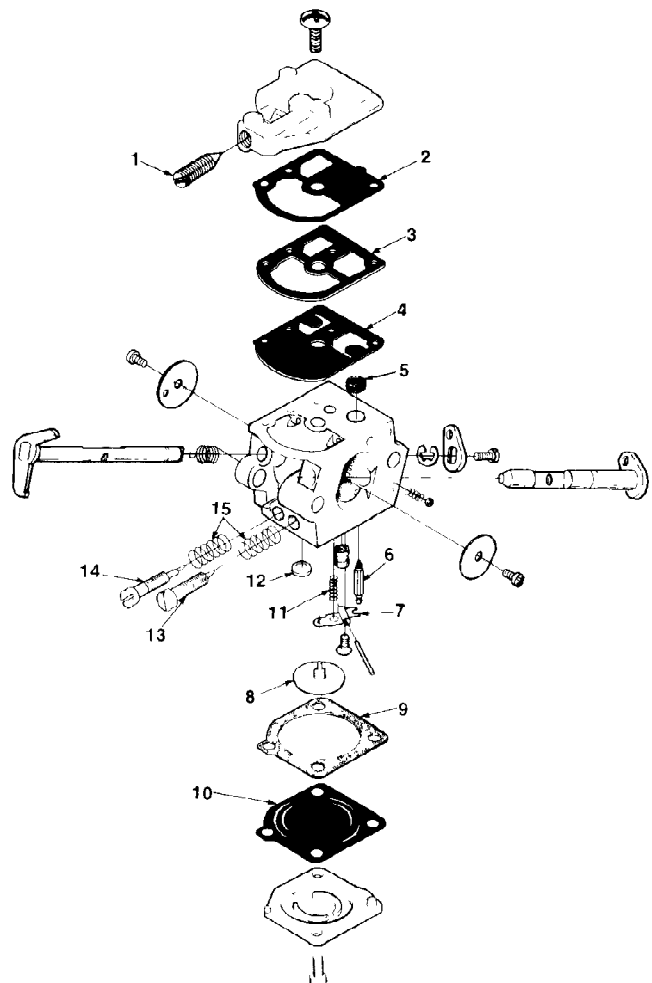
240-SL CHAIN BRAKE

NO.	DESCRIPTION	PART NO.	QTY.
1	SCREW- Hex. cap. 1/4-20 x 5/8	80048	1
2	CLIP- Retaining	95406	1
3	SCREW- Hex. Sems 10-24 x 3/8	88048	1
4	PIN- Roll	95395	1
5	LINK- Pivot	A-70767	1
6	GUARD- Hand	A-95481	1
7	BAND- Brake	95482	1
8	SCREW- Hex. Sems. 10-24 x 5/8	88050	1
9	PIN- Dowel	58429	1
10	WASHER- Thrust	95397	1
11	WASHER- Curved	95486	1
12	CAM- Brake Lever	96170	1



A-96352 CARBURETOR (ZAMA C-1S-H4)

96646 REPAIR KIT (Items #1-15)



240-HG
240-SL

ACCESSORIES

GREASE- Multi use	17193
TUBING- 10 ft. (Fuel & Oil)	70310-99
SAFE•T•TIP- (Standard on units) A-70776-A	
Includes:	
SCREW- (Special)	93695
TUBING- 10 ft. (Pulse line)	95201-99
ROPE- Starter 250 ft. #4	68848

TOOLS

SILASTIC (Crankcase sealing)	24823
LOCTITE	23488-B
PULLER- Magneto rotor	A-24747-A
Includes:	
BOLT- 5/16-18 x 1 3/4 (1)	80288
NUT- Hex 5/16-18 (2)	81196
WRENCH- Spanner (clutch)	A-93791
Includes:	
PIN- Clutch spanner	23717-A

HOMELITE DIVISION OF TEXTRON INC.
P.O. BOX 7047
14401 Carowinds Boulevard
Charlotte, N.C. 28217

HOMELITE **TEXTRON**

Homelite Division of Textron Inc.