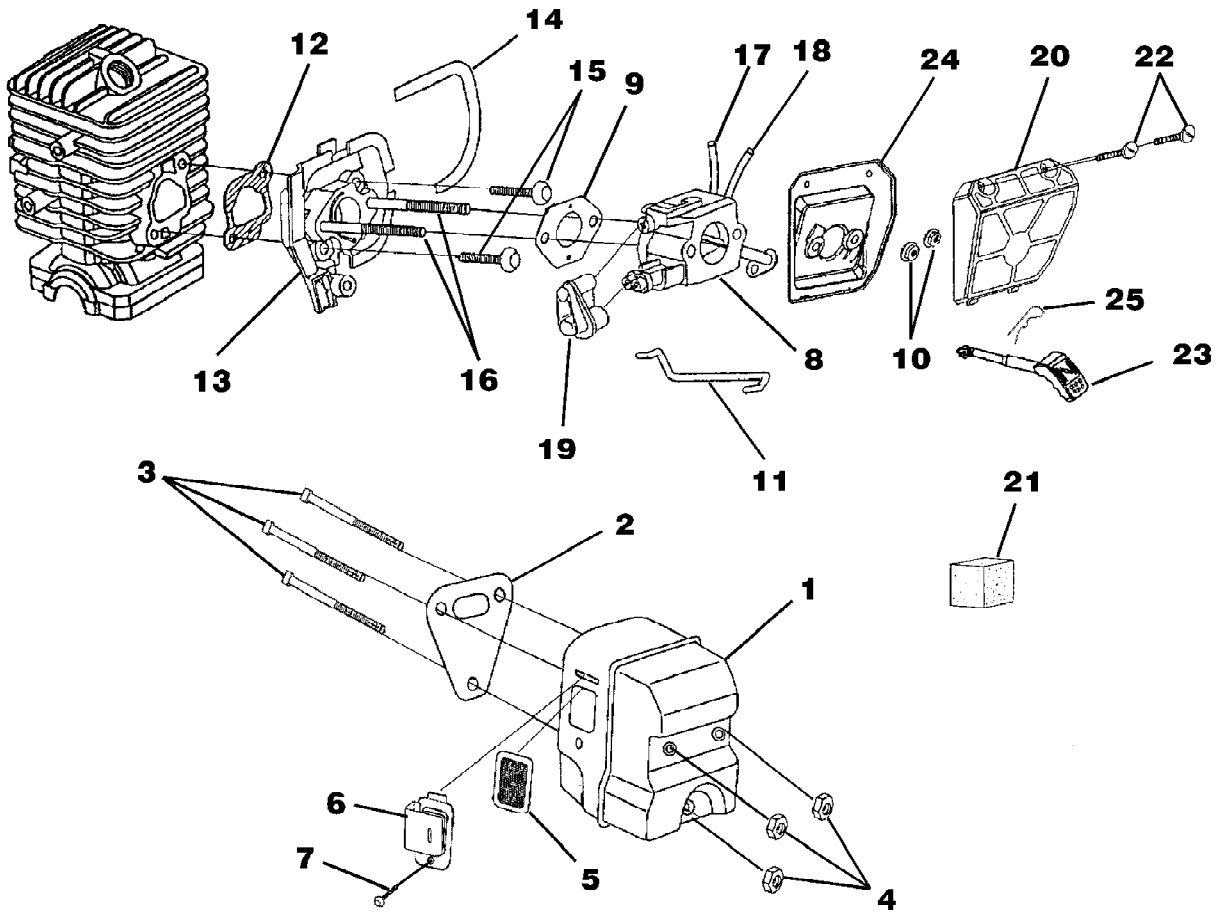


No  
Diagram  
Available  
  
Parts List  
Only

20 w/cc Chain Saw UT-10818  
Accessories

Page 2 of 14

Ref #	Part Number	Qty	S/P/F	Description
	PT12371MD	1		Guide Bar 12" (Power Tip) (3/8")
	H1N7245AH	1		Chain 12" (3/8")
	PT14371MD	1	/P	Guide Bar 14" (Power Tip) (3/8")
	H1N7252AH	1	S	Chain 14" (3/8")
	PT16371MD	1	/P	Guide Bar 16" (Power Tip) (3/8")
	H1N7256AH	1	S	Chain 16" (3/8")
	PT18371MD	1	/P	Guide Bar 18" (Power Tip) (3/8")
	H1N7262AH	1	S	Chain 18" (3/8")
	PS24823	1	/P	Sealant Silicon
	UP06561	1	S/P	Rubber tubing (10')
	09207	1	/P	Wrench - Combination
	18416	1		Digital Tachometer
	18453	1	/P	Grease, Multi-purpose
	94194	1	/P	Compression Tester
	UP07160	1	S/P	Bit, Torx T27
	UP04562	1	S/P	Carry Case
	UP06732	1	S/P	Bumper Spike Kit

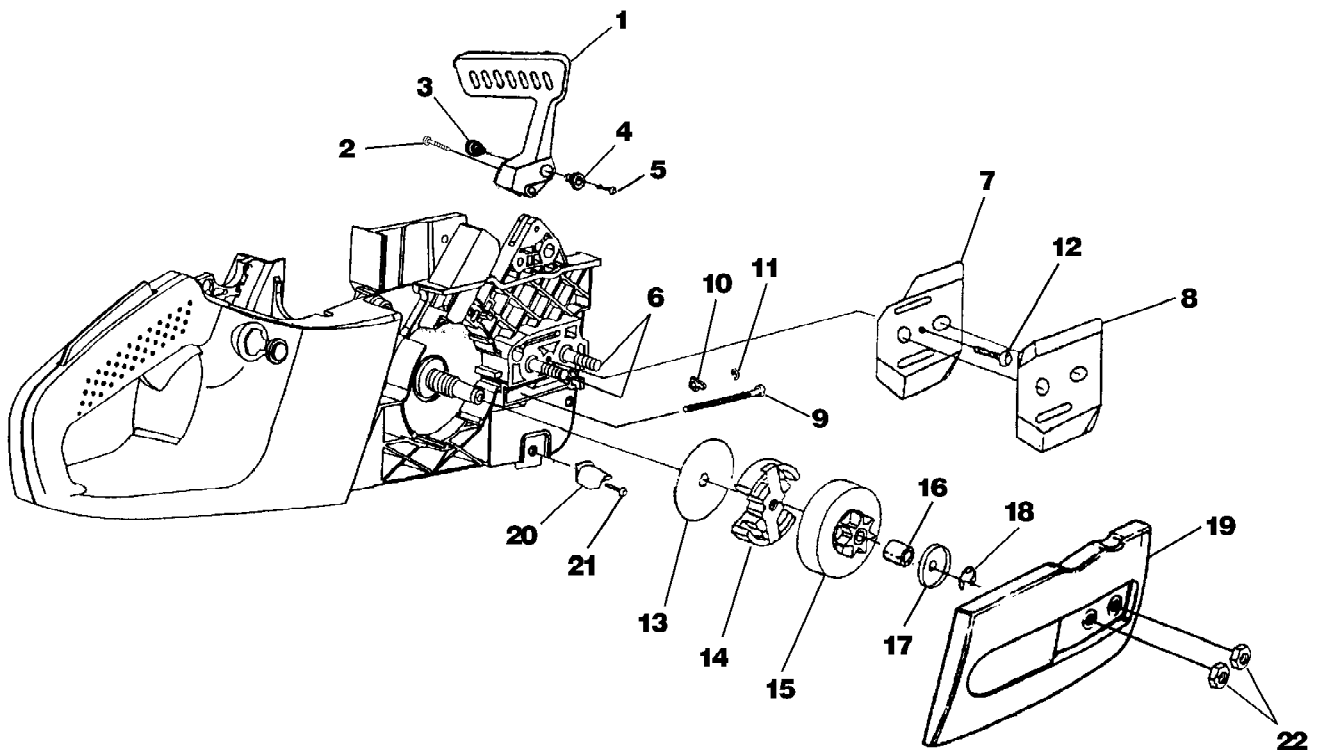


20 w/cc Chain Saw UT-10818  
Carburetor - Muffler - Air Filter

Page 4 of 14

Ref #	Part Number	Qty	S/P/F	Description
1	UP06752	1	S/P	Muffler Kit Includes items 2-7
2	UP04183	1	S	Muffler Gasket
3	UP04049	3	S/P	Screw-Square Hd.
4	UP04059	3	S/P	Nut-Locking Hex (10-32) Torque Specs 50-60 In/Lbs; 5.6-6.7 Nm
5	UP04203	1	S	Screen, Spark
6	UP04204	1	S/P	Deflector, Muffler
7	UP04244	1	S/P	Screw (8-32 x .312)
8	A09159	1	S	Carburetor Assembly Includes items 9-10
9	UP04094	1	S	Carburetor Gasket
10	UP04217	2	S	Flange Nut (10-24) Torque Specs 30-40 In/Lbs; 3.4-4.5 Nm
11	UP04230	1	S	Throttle Wire
12	UP04184	1	S/P	Gasket, Heat Dam
13	UP04173	1	S	Heat Dam
14	UP04191	1	S	Seal, Heat Dam
15	UP04084	2	S/P	Screw, Truss Hd. Taptite (10-24 x 7/8") Torque Specs 45-55 In/Lbs; 5.0-6.2 Nm
16	UP04189	2	S	Screw, Carburetor
17	UP04211	1	S	Fuel Line (Tank to Carburetor 8 1/2")
18	UP04209	1	S/P	Fuel Line (Carburetor to Purge Bulb 4")
19	UP04171	1	S	Carburetor Grommet
	UP06753	1	S/P	Air Filter Kit Includes items 20-22
20	UP04533	1	S	Air Filter Cover
21	UP04208	1	S	Pre Filter (In engine housing)
22	UP04235	2	S	Screw-Slotted Pan Hd. (8-16 x 5/8") Torque Specs 15-20 In/Lbs; 1.7-2.3 Nm
23	UP04213	1	S	Rod, Choke
24	UP04178	1	S	Air Filter Plate
25	UP04227	1	S	Spring Clip (Choke Rod)

20 w/cc Chain Saw UT-10818  
Clutch - Hand Guard - Drive Case Cover

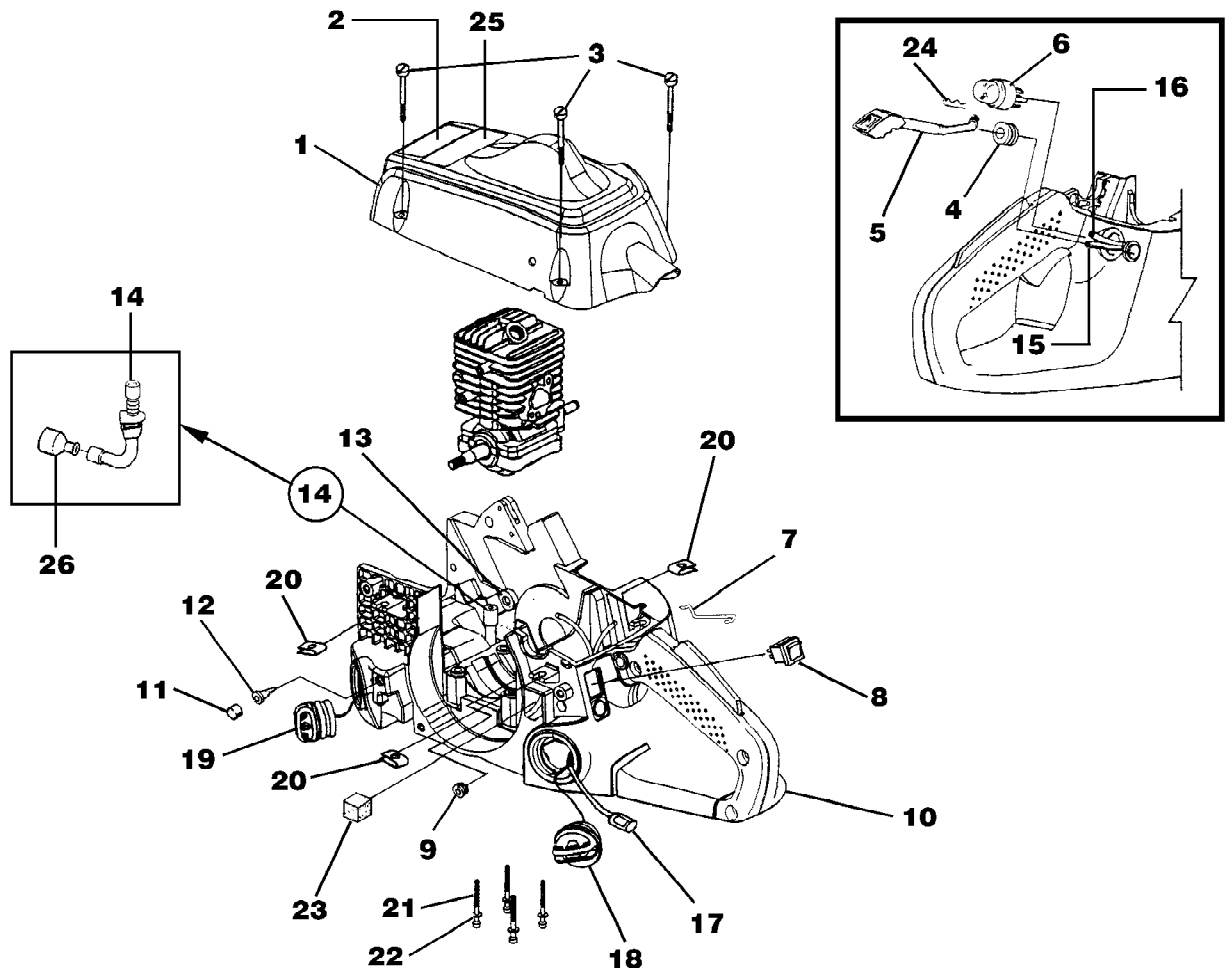


20 w/cc Chain Saw UT-10818  
Clutch - Hand Guard - Drive Case Cover

Page 6 of 14

Ref #	Part Number	Qty	S/P/F	Description
1	UP06568	1	S/P	Hand Guard Kit Includes item 2
2	UP03898	1	S	Screw-Thd. form. (#8-14 x .625)
3	UP04202	1	S	Pivot, L.H.
4	UP04201	1	S	Pivot, R.H.
5	UP04240	1	S	Screw, Hex Socket Hd. (8-32 x 5/8") Torque Specs 25-35 In/Lbs; 2.8-3.9 Nm; Required Loctite 242 Blue
6	UP04180	2	S	Guide Bar Bolt
	UP06966	1	S/P	Guide Bar Adjusting Kit Includes items 7-11
7	UP04206	1	S/P	Plate, Guide Bar
8	UP04085	1	S/P	Plate, Guide Bar
9	UP04187	1	S	Screw, Guide Bar Adjusting
10	UP04186	1	S	Pin, Guide Bar Adjusting
11	UP04056	1	S	Ring, Retaining
12	UP04082	1	S	Screw, Thread Form., Plastite (6-19 x 1/2") Torque Specs 8-18 In/Lbs; 0.9-2.0 Nm
13	UP04182	1	S	Thrust Washer
14	UP06727	1	S/P	Clutch & Hardware Torque Specs 130-180 In/Lbs; 14.7-20.3 Nm
15	UP06967	1	S	Sprocket, Drum (3/8 Pitch) Includes items 16-18
16	UP04175	1	S	Bearing, Needle
17	UP04179	1	S/P	Washer, Cupped
18	UP04228	1	S/P	Ring, Retaining
19	UP06975	1	S/P	Drive Case Cover Includes items 20-21
20	UP04088	1	S	Stop, Chain
21	UP03900	1	S/P	Screw, Thread Form., Plastite (10-14 x 3/4") Torque Specs 30-50 In/Lbs; 3.4-5.6 Nm
22	UP04058	2	S	Nut, Hex Torque Specs Hand Tight

20 w/cc Chain Saw UT-10818  
Engine Housing - Fuel Tank - Oil Tank

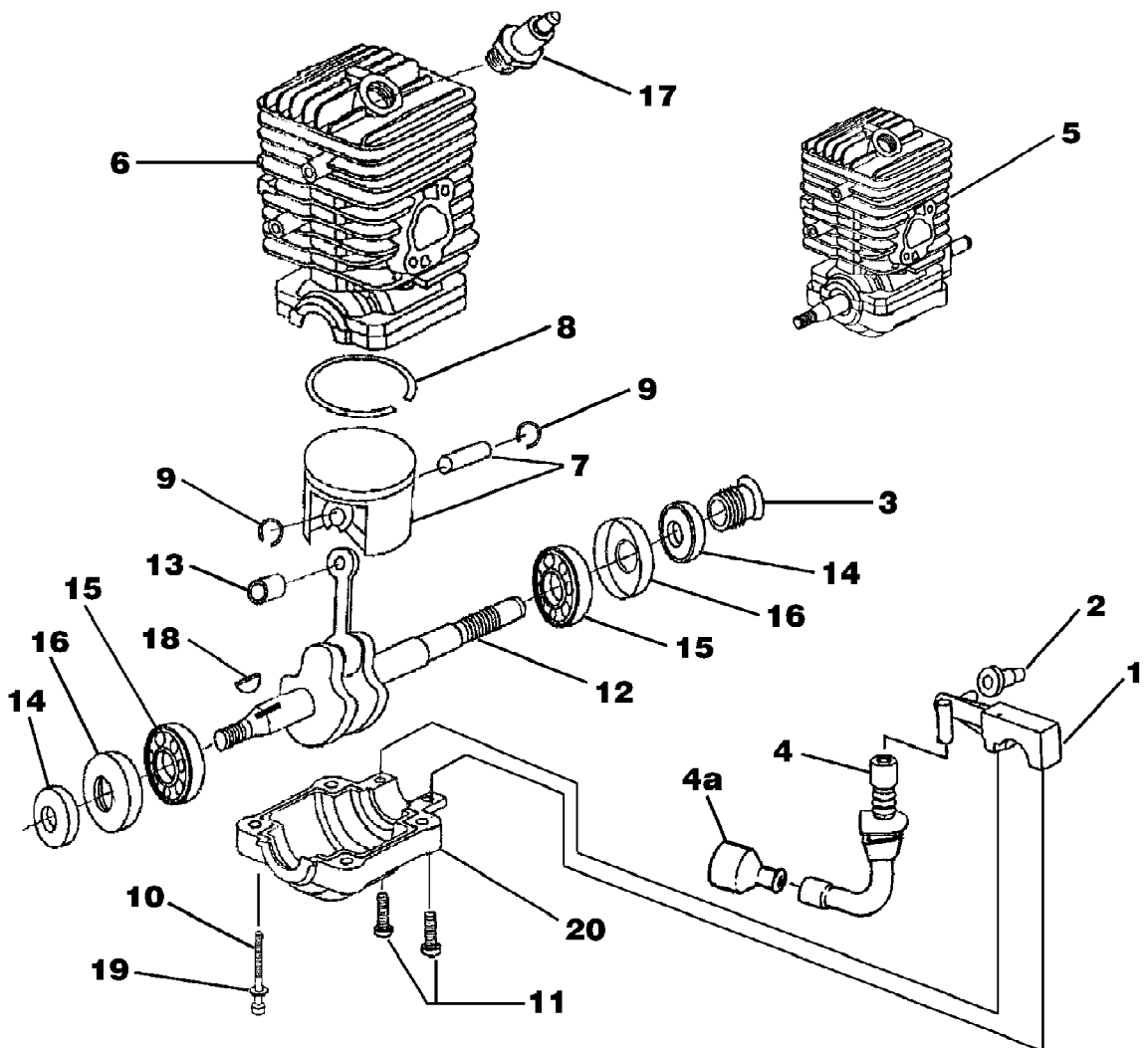


20 w/cc Chain Saw UT-10818  
 Engine Housing - Fuel Tank - Oil Tank

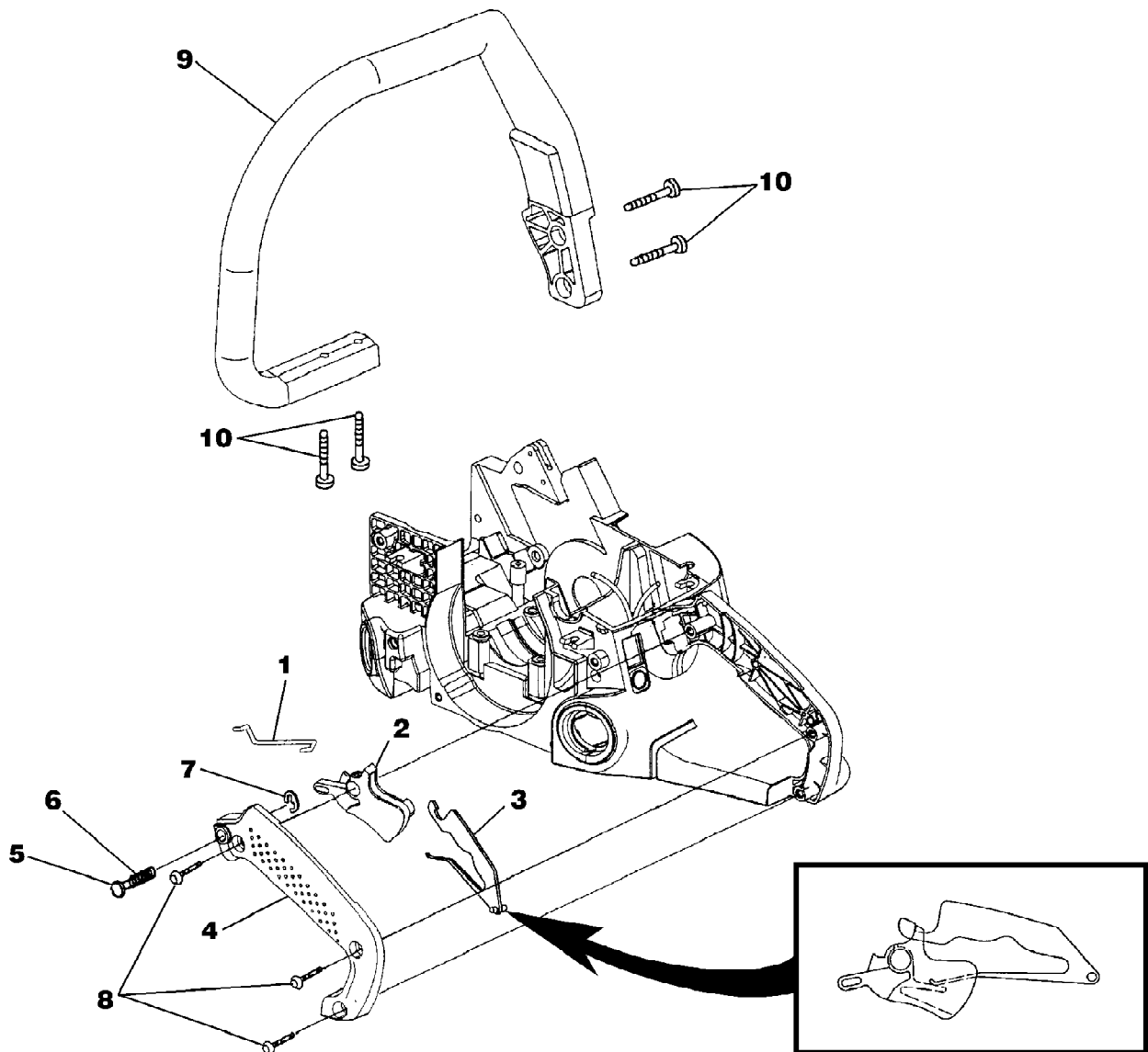
Page 8 of 14

Ref #	Part Number	Qty	S/P/F	Description
1	A09162	1	S	Cylinder Cover Kit Includes items 2-3
2	UP04212	1	S	Safety Decal
3	UP04219	3	S	Screw-Slotted Pan Hd. Torque Specs 15-25 In/Lbs; 1.7-2.8 Nm
4	UP04052	1	S	Grommet
5	UP04213	1	S	Rod, Choke
6	UP04033	1	S/P	Bulb, Air Purge
7	UP04230	1	S	Throttle Wire
8	UP04197	1	S/P	Switch, Rocker
9	UP04215	1	S	Grommet-Split
10	UP06751	1	S	Engine Housing Includes items 11-19
11	UP04205	2	S	Element, Filter (Bronze)
12	UP04045	2	S	Duck Bill Valve
13	UP04185	1	S	Oil Outlet Grommet
14	UP04048	1	S/P	Oil Intake Tube
15	UP04210	1	S/P	Rubber Tubing (5 1/2")
16	UP04211	1	S	Rubber Tubing (8 1/2")
17	UP03871	1	S/P	Fuel Filter
18	DA07590	1	S	Fuel Cap w/ Retainer
19	DA07591	1		Oil Cap w/ Retainer
	UP04054	1		Oil Filter (Not Shown)
	UP04180	2	S	Guide Bar Bolt (Not Shown)
20	UP04221	3	S	Speed Nut ("U-Type")
21	UP04083	4	S	Screw, Cap-Socket Hd. (10-24 x 2") Torque Specs 65-75 In/Lbs; 7.3-8.5 Nm; Required Loctite 262 Red
22	UP04087	4	S	Washer
23	UP04208	1	S	Pre Filter
24	UP04227	1	S	Spring Clip (Choke Rod)
25	UP04225	1	S/P	Kickback-Decal
26	UP04054	1		Oil Filter





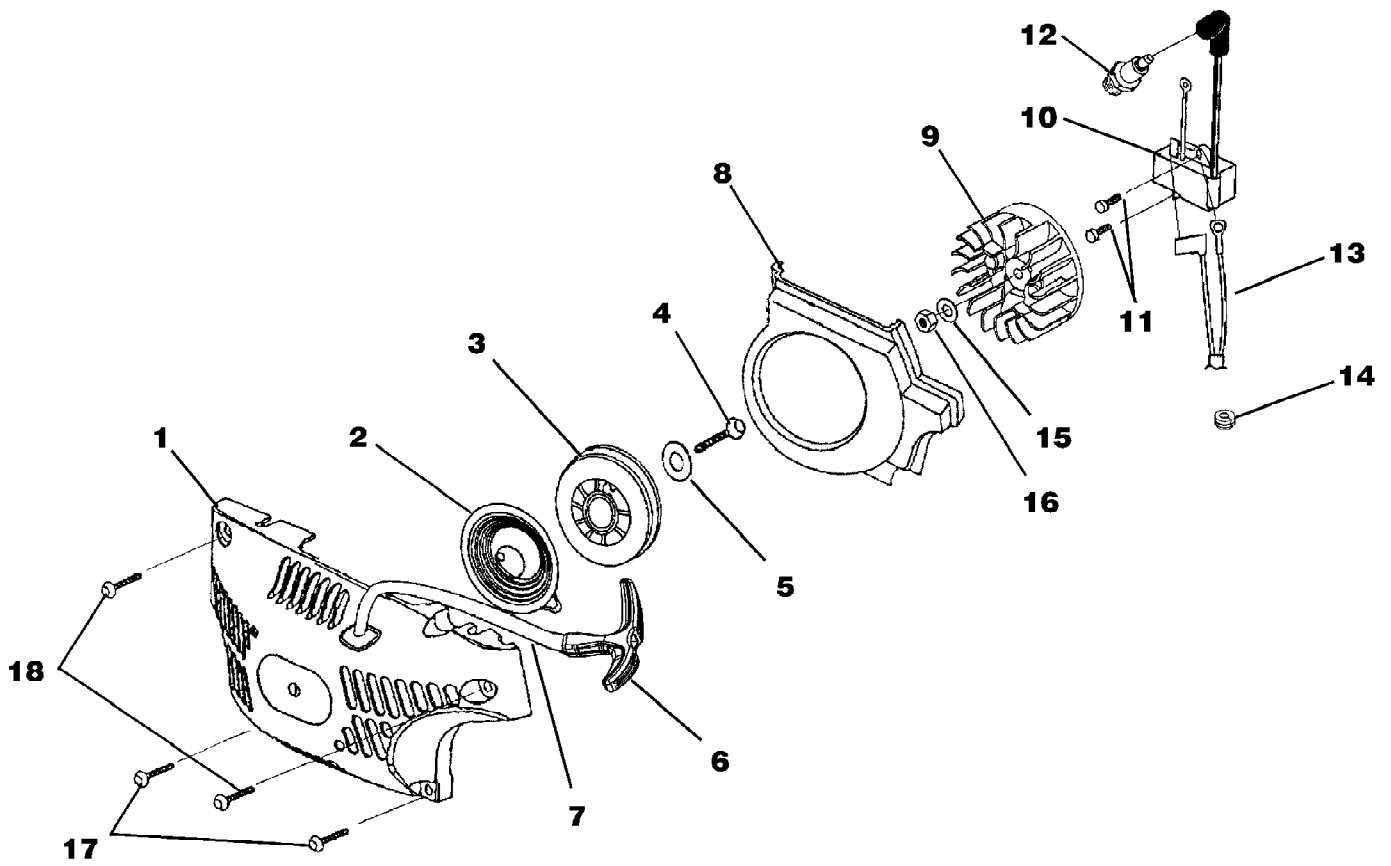
Ref #	Part Number	Qty	S/P/F	Description
1	UP06602	1	/P	Oil Pump Kit Includes items 2-4A
2	UP04185	1	S	Grommet, Oil Outlet
3	UP04188	1	S	Left Hand Worm
4	UP04048	1	S/P	Tube, Oil Intake
4A	UP04054	1		Oil Filter
5	UP03696	1	/P	Short Block, Complete (33cc) Includes items 6-16
	UP03853	1	/P	Short Block, Complete (38cc)
6	A08666	1	S	Cylinder Kit (33cc)
	A08667	1	S/P	Cylinder Kit (38cc)
	UP04183	1	S	Gasket, Muffler (Not Shown)
	UP04184	1	S/P	Gasket, Heat Dam (Not Shown)
	UP04094	1	S	Gasket, Carburetor (Not Shown)
7	UP06971	1	S/P	Piston & Pin (33cc) Includes items 8-9
8	UP04177	1	S	Piston Ring
9	UP04051	2	S	Ring, Retaining
7	UP06972	1	S/P	Piston & Pin (38cc) Includes items 8-9
8	UP04190	1	S	Piston Ring
9	UP04051	2	S	Ring, Retaining
10	UP04083	4	S	Screw, Cap-Socket Hd. (10-24 x 2") Torque Specs 65-75 In/Lbs; 7.3-8.5 Nm; Required Loctite 262 Red
11	UP03898	2	S	Screw, Pan Hd., Plastite (8-16 x 5/8") Torque Specs 15-20 In/Lbs; 1.7-2.3 Nm
12	UP03587	1	/P	Crankshaft & Rod Assembly Includes items 13-16
13	UP04174	1	S/P	Bearing, Needle
14	UP04047	2	S	Shaft Seal
15	UP04176	2	S/P	Bearing & Rubber Case Includes item 16
16	UP04046	1	S	Rubber Case
17	UP04093	1	S	Spark Plug Torque Specs 120-180 In/Lbs; 13.6-20.3 Nm
18	UP03874	1	S	Woodruff Key
19	UP04087	4	S	Washer
20	UP04172	1	S	Lower Crankcase



20 w/cc Chain Saw UT-10818  
Handles

Page 12 of 14

Ref #	Part Number	Qty	S/P/F	Description
1	UP04230	1	S	Throttle Wire
2	UP04229	1	S	Trigger, Throttle
3	UP04196	1	S	Throttle Lock Out
4	UP06736	1	S	Handle Cover Kit Includes items 5-7
5	UP04243	1	S	Throttle Lock Pin
6	UP04226	1	S	Spring, Compression
7	UP04050	1	S	Ring, Retainer
8	UP03900	3	S/P	Screw, Thread Form., Plastite (10-14 x 3/4") Torque Specs 30-40 In/Lbs; 3.4-4.5 Nm
9	UP06974	1	S/P	Front Handle Kit Includes item 10
10	UP03895	4	S	Screw, Plastite (10-14 x 5/8") Torque Specs 30-40 In/Lbs; 3.4-4.5 Nm



20 w/cc Chain Saw UT-10818  
Starter - Ignition

Page 14 of 14

Ref #	Part Number	Qty	S/P/F	Description
1	UP06749	1	S/P	Starter Kit Includes items 2-7
2	UP04092	1	S	Spring & Container
3	UP05460	1	S/P	Pulley, Starter
4	UP04237	1	S	Screw, Thread Form, Plastite (10-14 x 5/8") Torque Specs 30-40 In/Lbs; 3.4-4.5 Nm
5	UP04089	1	S/P	Washer, Retaining
6	UP04216	1	S	Grip, Starter
7	UP03911	1	S	Rope, Starter 46"
8	UP04192	1	S	Baffle, Fan Housing
9	UP04242	1	S/P	Rotor & Starter Pawl
10	A08676A	1	S	Ignition Kit (33cc models); Includes item 11
	UP05851	1	S	Ignition Kit
11	UP04086	2	S/P	Screw, Thread Form (8-32 x 5/8") Torque Specs 30-40 In/Lbs; 3.4-4.5 Nm; Required Loctite 242 Blue
12	UP04093	1	S	Spark Plug Torque Specs 120-180 In/Lbs; 13.6-20.3 Nm
13	UP04222	1	S	Ignition Switch Harness
14	UP04215	1	S	Grommet, Wire Harness (Split)
15	UP04241	1	S/P	Washer, Flat
16	UP04081	1	S	Nut, Jam Torque Specs 100-150 In/Lbs; 11.3-16.9 Nm
17	UP04236	2	S	Screw, Truss Hd., Plastite (10-14 x 7/8") Torque Specs 30-40 In/Lbs; 3.4-4.5 Nm
18	UP04237	2	S	Screw, Truss Hd., Plastite (10-14 x 5/8") Torque Specs 30-40 In/Lbs; 3.4-4.5 Nm