

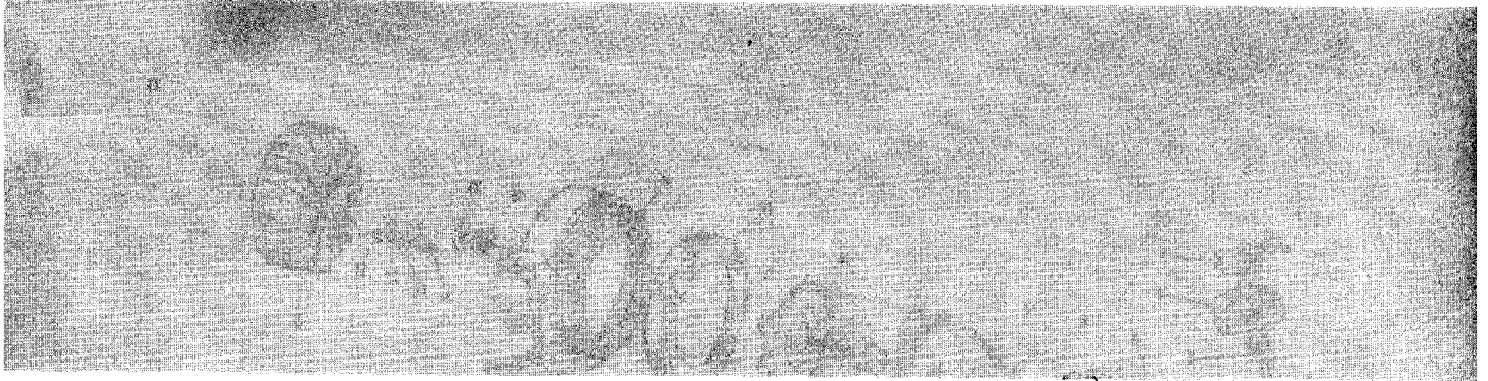
1130G Chain Saw UT-1130G

Page 1 of 10

PRICE .35

PRINTED IN U.S.A.

PART NO. 24528



HOMELITE[®]

1130G AUTOMATIC CHAIN SAW

PARTS LIST

1130G AUTOMATIC

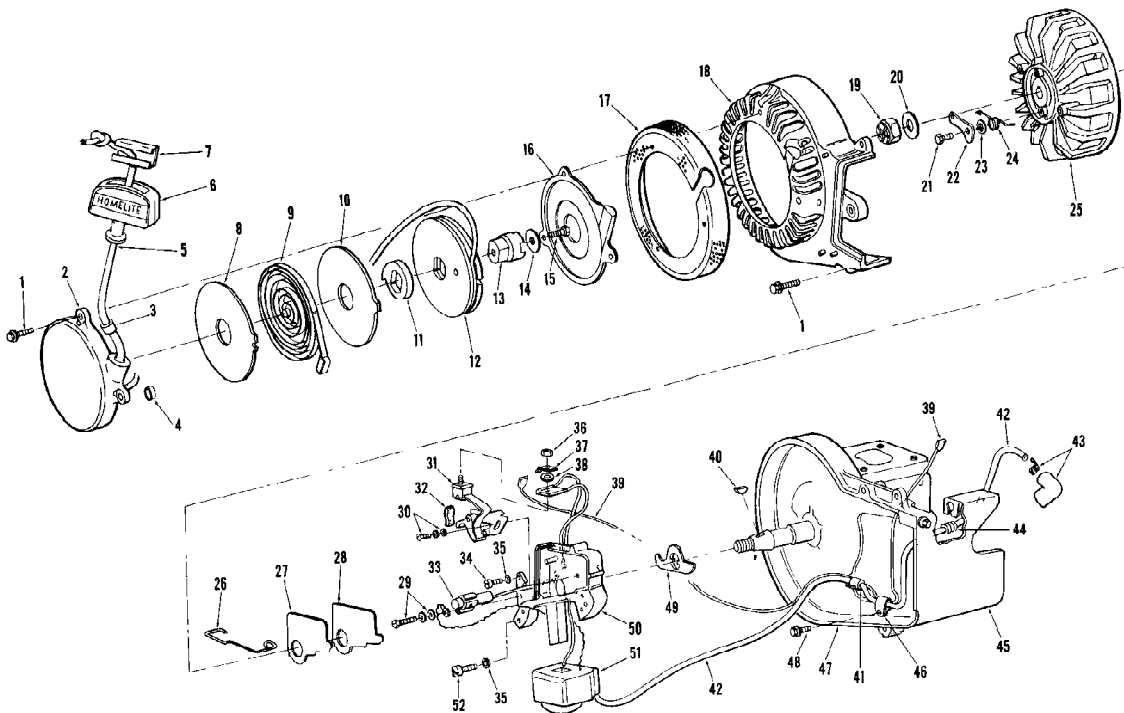


FIGURE 1

No	Description	Part No	Qty	No	Description	Part No	Qty
1	SCREW hex, 12 24 x 3/4	80867	7	27	COVER breaker box	55979	1
2	COVER starter Includes	A 64178 3	1	28	GASKET breaker box	55978 2	1
3	BUSHING rope	67177	1	29	SCREW GROUP condenser	57760	1
4	BUSHING spring outer loop	65830	1	30	SCREW GROUP point	57749	1
5	ROPE starter	58806	1	31	POINT SET Includes	A 58165	1
6	GRIP rope	65937	1	32	WICK	55984	1
7	INSERT rope retaining	58517	1	33	CONDENSER w/terminal	55987	1
8	SHIELD spring (inner) (optional)	65711	1	34	SCREW-fil, 10 24 x 1/2	80595	1
9	SPRING rewind	64180 A	1	35	WASHER lock, no 10	83046	3
10	SHIELD spring (outer) (optional)	65712	1	36	NUT terminal	55982	1
11	LOCK spring rewind	64049 A	1	37	TAB ground	55733	1
12	PULLER-starter	64050 1	1	38	WASHER terminal	55983	1
13	CUP starter	67139	1	39	LEAD ground w/terminals	A 58321	1
14	WASHER retaining	58763	1	40	KEY rotor	75078	1
15	SCREW hex, 10 32 x 1/2	80648	1	41	SLEEVE	55290	1
16	SHIELD sawdust	64052	1	42	LEAD high tension	58382	1
17	SCREEN fan housing	65390 2	1	43	TERMINAL spark plug	A 55373 A	1
18	HOUSING fan	59094 1	1	44	GROMMET	68046	1
19	NUT lock, 7/16 20	81104	1	45	SHIELD cylinder	A 63736 1	1
20	WASHER flat	84047	1	46	CLAMP lead	56014	1
21	STUD shoulder	64054	2	47	CRANKCASE w/pin (See Fig 2)	A 84532	1
22	PAWL starter	58756	2	48	SCREW hex, 10 32 x 3/8	80869 1	1
23	WASHER	58851	2	49	SEAL breaker box	56202 A	1
24	SPRING starter pawl	58758 1	2	50	BOX breaker w/core	57744	1
25	ROTOR	64053 A	1	51	COIL w/ground terminal	55986 A	1
26	CLAMP dust cover	55980	1	52	SCREW fil, 10 24 x 7/8	80660	2

ALWAYS FURNISH MODEL AND SERIAL NUMBER WHEN ORDERING PARTS

1130G AUTOMATIC

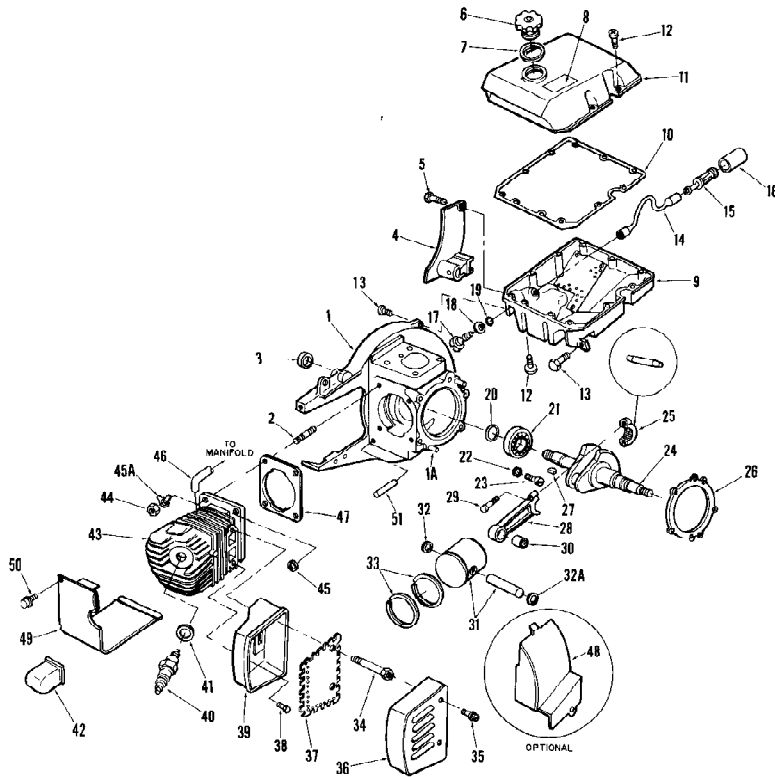


FIGURE 2

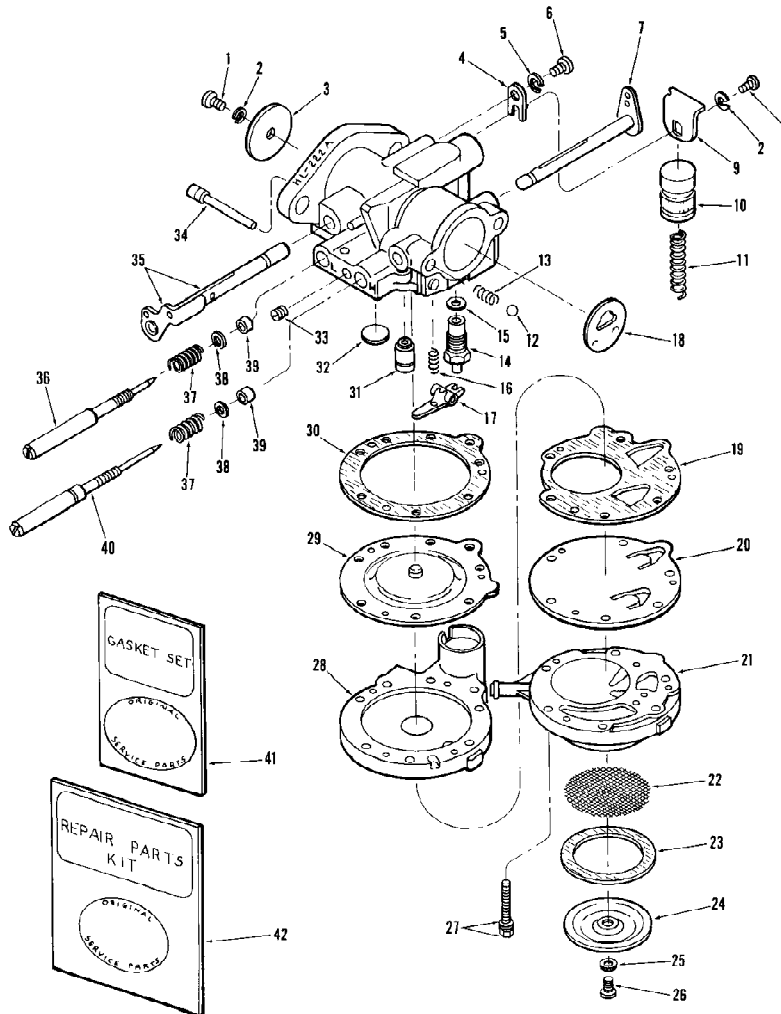
No	Description	Part No	Qty
1	CHANKCASE w/pins Includes	A 64532	1
1A	PIN dowel	74332	2
2	STUD	72787 1	4
3	SEAL	58308 A	1
4	BRACKET handle bar	59635 2	1
5	SCREW hex, 12 24 x 7/8	80891	1
6	CAP tank Includes	A 64140 1	1
7	GASKET VALVE, vent (not shown)	65358 63718	1 1
8	DECAL caution	84144	1
9	TANK fuel w/screen Includes	A 67739	1
10	GASKET fuel tank	67677	1
11	COVER fuel tank	59687 3	1
12	SCREW fil hd, 8 32 x 5/8	82146	11
13	SCREW, hex hd, 12 24 x 3/4	80867	3
14	FLEXIBLE LINE	55805	1
15	FILTER ASSEMBLY Includes	A 59251	1
16	FILTER	59253	1
17	FITTING, fuel	63132	1
18	GASKET	63175 1	1
19	"O" RING	67900	1
20	RING retaining	58319 A	1
21	BEARING ball	58190 S	1
22	WASHER lock	83061	2
23	SCREW bearing retaining	19238 3	2
24	CRANKSHAFT	A 64351	1
25	ROLLERS set of 31	A 64678	1
26	GASKET	63356	1
27	KEY woodruff	75078	1
28	CONNECTING ROD Includes	A 59945	1
29	SCREW 10 32 x 5/8	80345	2
30	BEARING needle	59606	1

No	Description	Part No	Qty
31	PISTON and PIN Includes	A 63071 D	1
32	RING retaining	56290	1
32A	RING retaining	64743	1
33	PISTON RING	56291	2
34	STUD muffler	59982 B	2
35	SCREW hex hd, 12 24 x 3/8	80837	2
*36	CAP muffler	A 64464 2	1
37	BAFFLE muffler	59978 1	1
38	SCREW hex, 1/4 20 x 5/8	80402	1
*39	BODY muffler	A 59927 2	1
40	SPARK PLUG Includes	63547 S 25038	1 1
41	GASKET	25038	1
42	CAP spark plug	63735	1
43	CYLINDER	A 65571	1
44	NUT hex, 5/16 24	25412	4
45	WASHER lock, 5/16	83002	3
45A	WASHER tab lock	65367 1	1
46	LINE fuel	63656	1
47	GASKET cylinder	64453	1
48	EXCHANGER heat (optional)	63103 1	1
49	CYLINDER SHIELD	A 63736 1	1
50	SCREW hex hd, 10 24 x 3/8	80869 1	2
51	SLEEVE	55290	1
ACCESSORIES (not shown) AVAILABLE FROM YOUR DEALER			
A 63518	SPARK ARRESTOR requires Part No 63548 SHIM 1 under each MUFFLER STUD		
A 64411	MUFFLER and SHIELD ASSEMBLY Includes	A 64410	1
		64408	1
		63856 A	3
		64409 2	1
		59982 B	1
		80402	2

*Denotes new parts

ALWAYS FURNISH MODEL AND SERIAL NUMBER WHEN ORDERING PARTS

1130G AUTOMATIC



MODEL HL-222A

A-63585

No	Description	Part No	Qty
1	SCREW rd , 4 40 x 1/4	80591	1
2	WASHER lock, no 4	83008	1
3	SHUTTER throttle	77430	1
4	CLIP throttle shaft	73086	1
5	WASHER lock no 8	83000	1
6	SCREW flat 8 32 x 5/16	73088	1
7	SHAFT and LEVER choke	63698	1
8	SCREW rd 1/4 36 x 1/4	80006	1
9	CAM accelerating pump	64357	1
†10	PUMP accelerating	A 63696	1
†11	SPRING pump	63694	1
12	BALL	25527	1
13	SPRING choke friction	73264	1
14	NEEDLE and SEAT inlet	A 64779	1
15	GASKET	55344	1
†16	SPRING tension	77426	1
17	LEVER inlet control	55747	1
18	SHUTTER choke	77427	1
19	GASKET fuel pump	58529	1
†20	DIAPHRAGM fuel pump	57729	1
21	BODY fuel pump	59285	1

No	Description	Part No	Qty
122	SCREEN fuel	58527	1
23	GASKET	55751	1
24	COVER strainer	58526	1
25	GASKET cover	28098	1
†26	SCREW cover	58525	1
27	SCREW fil , 6 32 x 13/16 w/lockwasher	55316	6
28	COVER diaphragm	63692	1
†29	DIAPHRAGM	57829	1
30	GASKET diaphragm	57824	1
31	NOZZLE main	A 77429	1
†32	PLUG expansion	30818	1
33	PLUG channel	73067	1
34	PIN inlet lever	A 55762	1
35	SHAFT and LEVER throttle	63697	1
36	NEEDLE idle adjusting	58680	1
†37	SPRING adjusting needle	73075	2
38	WASHER adjusting needle	75735	2
39	PACKING adjusting needle	75733	2
40	NEEDLE main adjusting	58536	1
†41	GASKET SET	68657	1
†42	REPAIR PARTS KIT	68664	1
	GASKET and DIAPHRAGM SET	63590	1

†Included in REPAIR PARTS KIT
*Denotes New Parts

ALWAYS FURNISH MODEL AND SERIAL NUMBER WHEN ORDERING PARTS

1130G AUTOMATIC

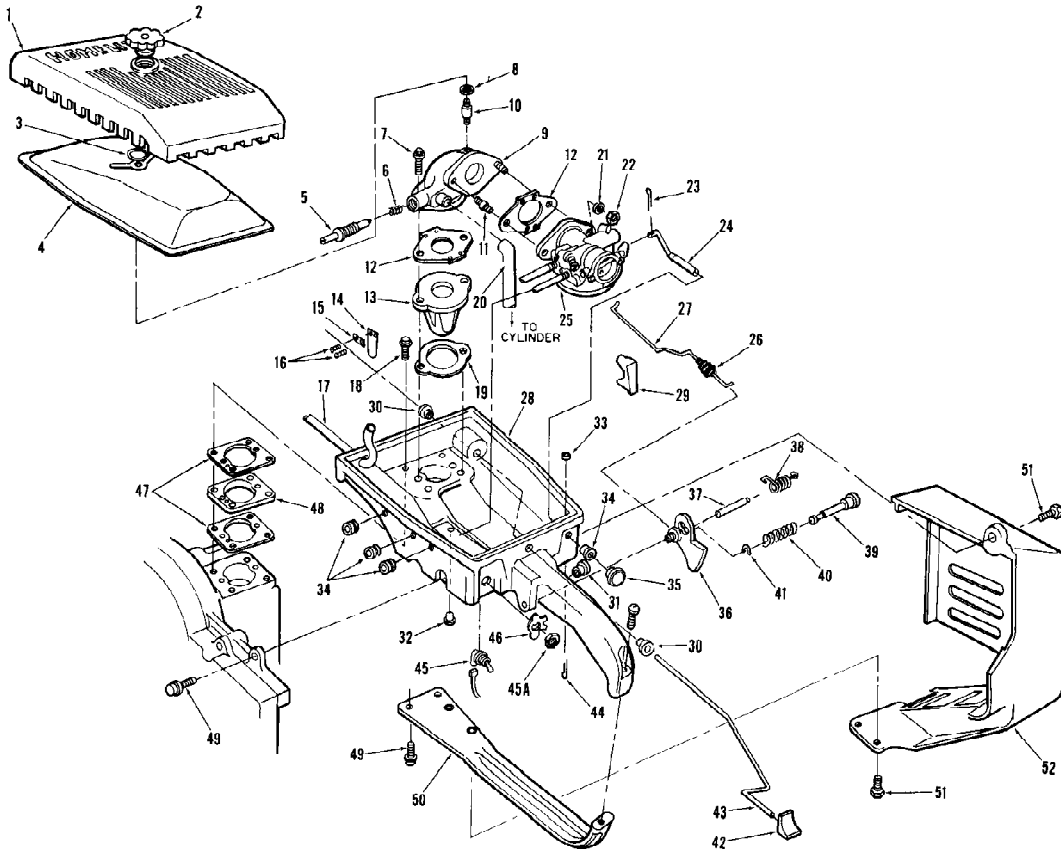


FIGURE 3

No	Description	Part No	Qty	No	Description	Part No	Qty
1	COVER air filler	59230	1	29	STOP rod	58930	1
2	NUT cover	A 59229	1	30	BUSHING rod	58929	2
3	RING-retaining	58319 A	1	31	BUSHING lock pin	59064	1
4	FILTER ELEMENT air	63728	1		PLUG button (not shown)	64607	1
5	SCREW idle adjusting	63657	1	32	PLUG button	A 64744	1
6	SPRING adjusting screw	63664	1		Includes		
7	SCREW hex, 1/4 20 x 1/2	80882	2		"O"RING (not shown)	59765	1
8	GASKET stud	58392	1	33	FELT	63290	1
9	MANIFOLD intake	A 63828	1	34	GROMMET	58362	4
10	STUD cover	58361	1	35	BUTTON rod	57289	1
11	STUD carburetor	27464	2	36	TRIGGER throttle	58181 A	1
12	GASKET carburetor	63655 A	2	37	SHAFT trigger	58353	1
13	SEAT reed valve	59627	1	38	SPRING throttle	58352 A	1
14	REED valve	59628	4	39	PIN throttle lock	58404	1
15	CLAMP reed	59629	4	40	SPRING lock	58405	1
16	SCREW pan, 4 40 x 3/16	80658	8	41	RING retaining	58409	1
17	LINE fuel	55680	1	42	BUTTON oil rod	58357	1
18	SCREW hex, 12 24 x 1	80864	5	43	ROD oil pump	63127 A	1
19	GASKET spacer	55946	1	44	PIN cotter, 1/16 x 1/2	86301	1
20	LINE fuel idle	63656	1	45	SWITCH toggle w/nut	A 57650	3
21	WASHER lock, 1/4	83009	2		Includes		
22	NUT hex, 1/4 20	81013	2	45A	NUT	72084 A1	1
23	PIN cotter, 1/32 x 1/2	86324	1	46	PLATE "ON OFF"	72085 A	1
24	ROD-choke	A 58354	1	47	GASKET spacer	58343	2
25	CARBURETOR	A 63585	1	48	SPACER throttle handle	58391	1
26	BOOT rod	58348	1	49	SCREW hex 12 24 x 3/4	80867	3
27	ROD throttle	59338	1	50	BRACE throttle handle	58185 A1	1
28	HANDLE throttle	A 63865	1	51	SCREW hex 12 24 x 5/8	80676	3
	Includes			52	SHIELD muffler	63733	2
							1

ALWAYS FURNISH MODEL AND SERIAL NUMBER WHEN ORDERING PARTS

1130G AUTOMATIC

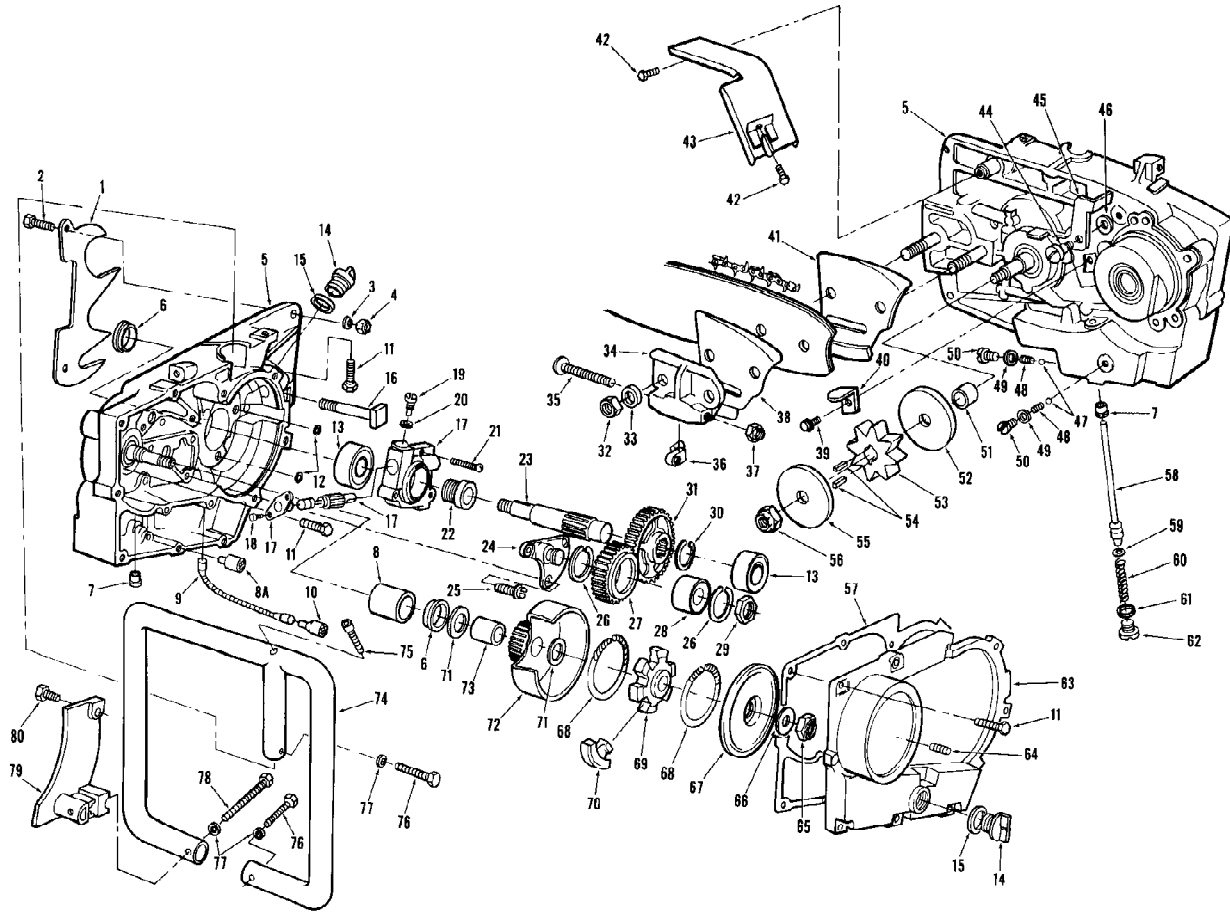


FIGURE 4

1130G AUTOMATIC

FIGURE 4

No	Description	Part No.	Qty	No	Description	Part No.	Qty
1	KIT spiked bumper (western) Includes	A 63413	1	37	NUT hex lock	81123	1
2	SCREW hex, 1/4 20 x 7/8	80181 3	2	38	PLATE guide bar (outer)	56957 A	1
3	WASHER lock, 1/4	83009	2	39	SCREW hex 10 24 x 3/8	80869 1	1
4	NUT 1/4 20	81053	2	40	BRACKET rod	63110	1
	KIT spiked bumper (eastern not shown)† (optional)	A- 63138	1	41	PLATE guide bar (inner)	56956	1
	Includes			42	SCREW hex, 12 24 x 3/8	80837	3
	SCREW hex, 1/4 20 x 3/4	80218 1	2	43	GUARD chain	A- 63776	1
	WASHER lock, 1/4	83009	2		Includes		
	NUT 1/4 20	81053	2		DEFLECTOR sawdust (not shown)	63715	1
5	HOUSING gear	A 63308 C	1		RIVETS (not shown)	85125	3
	Includes			44	SCREW pivot	59591	1
6	SEAL	56256 A	2	45	BELL CRANK	59592	1
7	BUSHING rod	59064	1	46	WASHER thrust	63109	1
	ELBOW (not shown)	59532	1	47	BALL check	25527	2
8	BEARING	76167 S	1	48	SPRING check valve	59022	2
8A	FILTER oil (manual)	A 63116	1	49	GASKET check valve cap	58338	2
9	LINE oil	59674	1	50	CAP check valve	58339	2
10	FILTER oil (automatic)	A 64203	1	51	SPACER sprocket	59697	1
11	SCREW hex, 12 24 x 3/4	80867	17	52	WASHER sprocket (inner)	56074	1
12	"O" RING	59074	2	53	SPROCKET 8 tooth, 1/2" pitch	55593 3	1
13	BEARING ball	63107 S	2		Optional 7 tooth, 9/16" pitch	74481 1	1
14	CAP filler (oil)	A 63717 A	2	54	KEY sprocket	56076 1A	2
	Includes per cap			55	WASHER sprocket (outer)	56077	1
15	GASKET	56607	1	56	NUT hex, 1/2 20	81101	1
	VALVE vent (not shown)	63718	1	57	GASKET	63124	1
16	BOLT guide bar	58334	2	58	PLUNGER	A 63112	1
17	PUMP automatic oil	A 63092	1		Includes		
	Includes			59	"O" RING	74388	1
18	SCREW pan, 4 40 x 1/4	80919	2	60	SPRING compression	59293	1
19	SCREW cam	64102 A	1	61	WASHER	58138	1
20	GASKET	59736	1	62	CAP oil pump	63115	1
21	SCREW hex, 8 32 x 7/8	80568	3	63	COVER gear housing	59631 4	1
22	WORM gear	63084 A	1	64	PLUG pipe	20097	1
23	SHAFT sprocket	59277 A	1	65	NUT hex, 3/8 24	81192	1
24	POST idler gear	59259 1A	1	66	WASHER	55036	1
25	SCREW hex, 1/4 20 x 3/4	63407	3	67	COVER clutch	58023 A	1
26	RING retaining	28922	2	68	SPRING clutch	67441	2
27	GEAR idler	59250	1	69	SPIDER clutch	58547 3	1
28	BEARING ball	72328 S	1	70	SHOE clutch	A 67519	6
29	NUT idler gear	57768 A	1	71	WASHER thrust	56132	2
30	RING retaining	63108	1	72	DRUM clutch w/gear	A 63123	1
31	GEAR driven 3 1 ratio, 64 teeth	59276 1	1	73	BEARING sleeve	56603	1
	optional 2 1 ratio, 42 teeth	59298 1	1	*74	HANDLE BAR, oversize	A 64468 2	1
	NUT hex 3/8 16	81089 2	2		Optional wrap around	A 63136	1
33	WASHER lock 3/8	83018	2		Includes		
	PLATE adjusting	A 55591	1	75	SCREW soc, 5/16 18 x 1	80308	1
	Includes			76	SCREW hex, 5/16 18 x 1-1/2	80087	2
34	PLATE	55551 2	1	77	WASHER lock, 5/16	83003	3
*35	SCREW rod, 5/16 18 x 2 1/8	82219	1	78	SCREW hex, 5/16 18 x 3 1/4	80698	1
36	PIN guide bar adjusting	55552 1	1	79	BRACKET handle bar	59635 2	1
				80	SCREW hex, 12 24 x 7/8	80897	1
					LABEL chain (OREGON)	68119	1

*Denotes new parts

ALWAYS FURNISH MODEL AND SERIAL NUMBER WHEN ORDERING PARTS

1130G AUTOMATIC

Tools

22820-2	COLLAR-main bearing installation
A- 23672	JACKSCREW-magneto
23670	PLATE-crankshaft aligning
22750	PLATE-sprocket locking
22828	PLIERS-retaining ring (piston)
23391-3	PLUG-bearing installation
23228	PLUG-bearing installation
23874	PLUG-bearing installation (conn. rod)
23913	PLUG-bearing and seal installation
23233-1	PLUG-seal assembling (crankcase)
23671	PLUG-seal assembling (gear housing)
A- 24028	PULLER-magneto rotor
23136-2	SLEEVE-bearing and shaft installation
23693	SLEEVE-seal protecting
A- 24284	WRENCH-combination
23528	WRENCH-socket screw (conn. rod)
A-23696-A	WRENCH-spanner

Accessories

23742	DECAL (universal replacement) composed of "Direct Drive," "Gear Drive," "Starting Instructions" and two "HOMELITE" (letters 1/4" and 1/2" high).
A- 67757	HANDLE-helper
23488-B	LOCTITE
55291-C	OIL-gear (1pt. container)

Paint

22772	PAINT-black (spray can)
23475	PAINT-red (spray can)

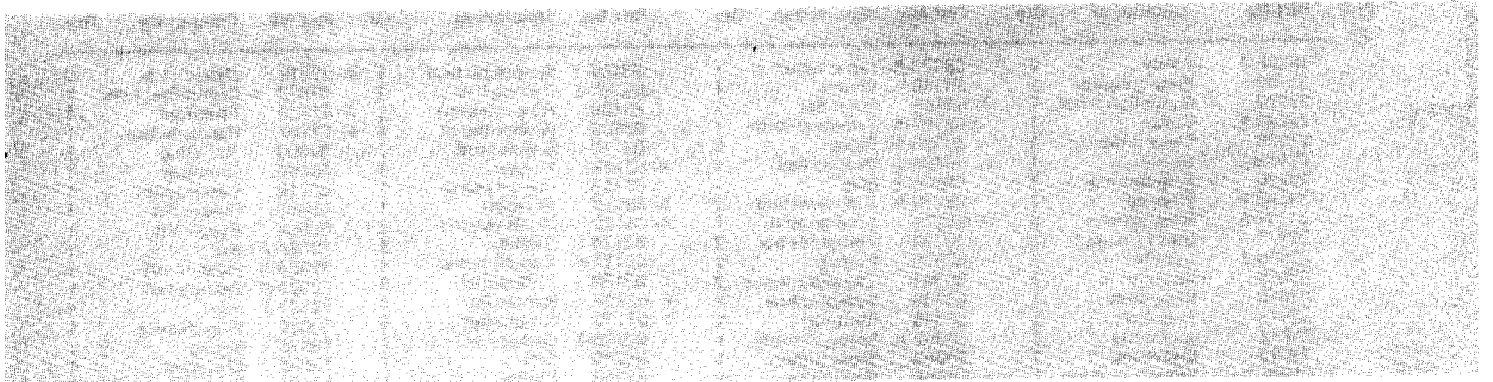
ALWAYS FURNISH MODEL AND SERIAL NUMBER WHEN ORDERING PARTS.

1130G AUTOMATIC

Part No.	Description	Qty.	Part No.	Description	Qty.	Part No.	Description	Qty.	Part No.	Description	Qty.
19238-3	Screw	2	58023-A	Cover-clutch	1	63103-1	Exchanger-heat	1	A- 67519	Shoe-clutch	6
22750	Plate-sprocket	1	58138	Washer	1	63107-S	Bearing-ball	2	67677	Gasket-fuel tank	1
22772	Spray Can-black	1	A- 58165	Point Set	1	63108	Ring-retaining	1	A- 67739	Tank-fuel	1
22820-2	Collar	1	58181-A	Trigger-throttle	1	63109	Washer-thrust	1	A- 67757	Handle-helper	1
22828	Pliers-retaining	1	58185-A1	Brace	1	63110	Bracket-rod	1	67900	"O" Ring	1
23163-2	Sleeve	1	58190-S	Bearing-ball	1	A- 63112	Plunger	1	68046	Grommet	1
23228	Plug-bearing	1	58308-A	Seal	1	63115	Cap-oil pump	1	68119	Label-chain	1
23233-1	Plug-seal	1	58319-A	Ring-retaining	2	A- 63116	Filter-oil	1	* 68657	Gasket Set	1
23391-3	Plug-bearing	1	A- 58321	Lead-ground	1	A- 63123	Drum-clutch	1	* 68664	Repair Kit	1
23475	Spray Can-red	1	58334	Bolt-guide bar	2	63124	Gasket	1	72084-A1	Gasket	1
23488-B	Loctite	1	58338	Gasket	2	63127-A	Rod-oil pump	1	72085-A	Plate-on-off	1
23528	Wrench	1	58339	Cap-check valve	2	63132	Fitting-fuel	1	72328-S	Bearing-ball	1
23670	Plate-shaft	1	58343	Gasket-spacer	2	A- 63136	Handle Bar	1	72787-1	Stud	4
23671	Plug-seal	1	58348	Boot-rod	1	A- 63138	Kit-bumper	1	73067	Plug-channel	1
A- 23672	Jackscrew	1	58352-A	Spring-throttle	1	A- 63175-1	Gasket-fuel	1	73075	Spring	2
23693	Sleeve-seal	1	58353	Shaft-trigger	1	63290	Felt	1	73086	Clip-shaft	1
A- 23696-A	Wrench-spanner	1	A- 58354	Rod-choke	1	63356	Gasket	1	73088	Screw-flat	1
23742	Decal	1	58357	Button-oil rod	1	A- 63398-C	Housing-gear	1	73264	Spring-choke	1
23874	Plug-bearing	1	58361	Stud-cover	1	63407	Screw-hex	3	74332	Pin-dowel	2
23913	Plug	1	58362	Grommet	4	A- 63413	Kit-bumper	1	74388	"O" Ring	1
A- 24028	Puller-rotor	1	58382	Lead	1	A- 63518	Spark Arrester	1	74481-1	Sprocket	1
A- 24284	Wrench-comb	1	58391	Spacer	1	63547-S	Spark Plug	1	75078	Key-rotor	1
25038	Gasket	1	58392	Gasket stud	1	63548	Shim	2	75733	Packing	2
25412	Nut-hex	4	58404	Pin-throttle lock	1	A- 63585	Carburetor	1	75735	Washer	2
25527	Ball-check	3	58405	Spring-lock	1	63590	Gasket & Dia	1	76167-S	Bearing-needle	1
27464	Stud-carburetor	2	58409	Ring-retaining	1	63655 A	Gasket carb	1	77426	Spring-tension	1
28097	Plug-pipe	1	58517	Insert-ropo	1	63656	Line-fuel	1	77427	Shutter-choke	1
28098	Gasket-cover	1	58525	Screw-cover	1	63657	Screw-idle adj	1	A- 77429	Nozzle-main	1
28922	Ring-retaining	2	58526	Cover-strainer	1	63664	Spring-adj. screw	1	77430	Shutter-throttle	1
30818	Plug	1	58527	Screen-fuel	1	A- 63665	Handle-throttle	1	FASTENING PARTS		
55036	Washer	1	58529	Gasket	1	63692	Cover-diaphragm	1	80006 1	4-36 x 1/4	1
55290	Sleeve-insulating	1	58536	Needle-main	1	63694	Spring-pump	1	80087	5/16-18 x 1 1/2	2
55291-C	Oil-gear	1	58547-3	Spider-clutch	1	A- 63696	Pump	1	80181-3	1/4-20 x 7/8	2
55316	Screw	6	58680	Needle	1	63697	Shaft & Lever	1	80218-1	1/4-20 x 3/4	2
55344	Gasket	1	58756	Pawl-starter	2	63698	Shaft & Lever	1	80308	5/16-18 x 1	1
A- 55373-A	Terminal	1	58758-1	Spring	2	63715	Deflector	1	80345	10-32 x 5/8	2
55551 2	Plate	1	58763	Washer	1	A- 63717-A	Cap-oil filler	2	80568	8-32 x 7/8	3
55552-1	Pin	1	58806	Rope-starter	1	63718	Rope-check	2	80591	4-40 x 1/4	1
A- 55591	Plate-adjusting	1	58851	Washer	2	63728	Filter Element	1	80595	10-24 x 1/2	1
55593-3	Sprocket	1	58929	Bushing	2	63733-2	Shield-muffler	1	80402	1/4-20 x 5/8	3
55680	Line-fuel	1	58930	Stop-rod	1	63735	Cap-spark plug	1	80648	10-32 x 1/2	1
55733	Tab-ground	1	59022	Spring	2	A- 63736-1	Shield-cylinder	1	80658	4-40 x 3/16	8
55747	Lever	1	59064	Bushing-rod	2	A- 63776	Guard chain	1	80660	10-24 x 7/8	2
55751	Gasket	1	59074	"O"Ring	2	A- 63828	Manifold-intake	1	80676	12-24 x 5/8	3
A- 55762	Pin-inlet lever	1	59094-1	Housing-fan	1	63855-A	Screw-shoulder	3	80698	5/16-18 x 3 1/4	1
55805	Flexible Line	1	A- 59229	Nut-cover	1	64049-A	Lock	1	80837	12-24 x 3/8	5
55937	Grip-ropo	1	59230-1	Cover-air	1	64050-1	Pulley	1	80864	12-24 x 1	5
55946	Gasket-spacer	1	59250	Gear-idler	1	64052	Shield-saw dust	1	80867	12-24 x 3/4	30
55978-2	Gasket	1	A- 59251	Filter Assembly	1	64053-A	Rotor-magneto	1	80869-1	10-32 x 3/8	5
55979	Cover	1	59253	Filter	1	64054	Stud-shoulder	2	80882	1/4-20 x 1/2	2
55980	Clip-cover	1	59259-1A	Post-idler gear	1	64102-A	Screw-cam	1	80891	12-24 x 7/8	2
55982	Nut-terminal hex	1	59265	Body-fuel pump	1	A- 64140-1	Cap-tank	1	80919	4-40 x 1/4	2
55983	Washer	1	59276-1	Gear-driven	1	64144	Decal-caution	1	81013-1	Nut-1/4-20	2
55984	Wiper	1	59277-A	Shaft-sprocket	1	A- 64178-3	Cover-starter	1	81053	Nut-1/4-20	2
55986-A	Coil	1	59293	Spring	1	64180-A	Spring-rewind	1	81089-2	Nut-3/8-16	2
55987	Condenser	1	59298-1	Gear-driven	1	A- 64293	Filter-oil	2	81101	Nut-1/2-20	1
56014	Clamp-lead	1	59338	Rod-throttle	1	A- 64351	Crankshaft	1	81104	Nut-7/16-20	1
56074	Washer-inner	1	59532	Elbow-oil line	1	64357	Cam-pump	1	81123	Nut-5/16-18	1
56076-1-A	Key-sprocket	2	59591	Screw-pivot	1	64408	Cap-muffler	1	81192	Nut-3/8-24	1
56077	Washer-Outer	1	59592	Bellcrank	1	64409-2	Shield-muffler	1	82146	8-32 x 5/8	11
56132	Washer-thrust	2	59606	Bearing-needle	1	A- 64410	Body-muffler	1	* 82219	5/16-18 x 2 1/8	1
56256-A	Seal-shaft	2	59627-1	Seat-reed valve	1	A- 64411	Muffler & Shield	1	83000	Washer-no 8	1
56290	Ring-retaining	1	59628	Reed-valve	4	64453	Gasket-cylinder	1	83002	Washer-lock	3
56291	Piston Ring	2	59629	Clamp-reed	4	* A- 64464-2	Cap-muffler	1	83003	Washer-5/16	3
56292-A	Seal	1	59631-4	Cover	1	* A- 64468-2	Handle Bar	1	83008-1	Washer-no 4	2
56603	Bearing-sleeve	1	59635-2	Bracket	2	A- 64532	Crankcase	1	83009	Washer-lock	4
56607	Gasket	1	59674	Line-oil	1	64607	Plug-button	1	83018	Washer-lock	2
56956	Plate-guide bar	1	59687-3	Cover-fuel tank	1	A- 64779	Needle & Seat	1	83046	Washer-lock	3
56957-A	Plate-guide bar	1	59697	Spacer-sprocket	1	65358	Gasket	1	83061	Washer-lock	2
57289-1	Button-rod	1	59736	Gasket	1	65367-1	Washer-tab lock	1	84047	Washer-flat	1
A- 57650-3	Switch	1	59765	"O"Ring	1	65390-2	Screen	1	85125	Rivet	3
57729	Diaphragm	1	*A- 59927 2	Body muffler	1	A- 65571	Cylinder	1	86301	Pin-cotter	1
57744	Box-breaker	1	A- 59945	Connecting Rod	1	65711	Shield-Spring	1	86324	Pin-cotter	1
57749	Screw Group	1	59978-1	Baffle-muffler	1	65712	Shield-outer	1			
57750	Screw Group	1	59982-R	Stud-muffler	3	65830	Bushing	1			
57768-A	Nut-idler gear	1	A- 63071-D	Piston & Pin	1	67139	Cup-starter	1			
57824	Gasket	1	63084-A	Worm-gear	1	67177	Bushing	1			
57829	Diaphragm	1	A- 63092	Pump-auto oiler	1	67441	Spring-clutch	2			

* Denotes new parts

ALWAYS FURNISH MODEL AND SERIAL NUMBER WHEN ORDERING PARTS.



E11740Z

HOMELITE
TEXTRON

Homelite Division of Textron Inc