

For Parts Call 606-678-9623 or 606-561-4983

**RYOBI
BLOWER/VACUUM
MODEL NUMBERS RY08554 AND RY09907
REPAIR SHEET**

RYOBI BLOWER/VACUUM - MODEL NUMBERS RY08554 AND RY09907

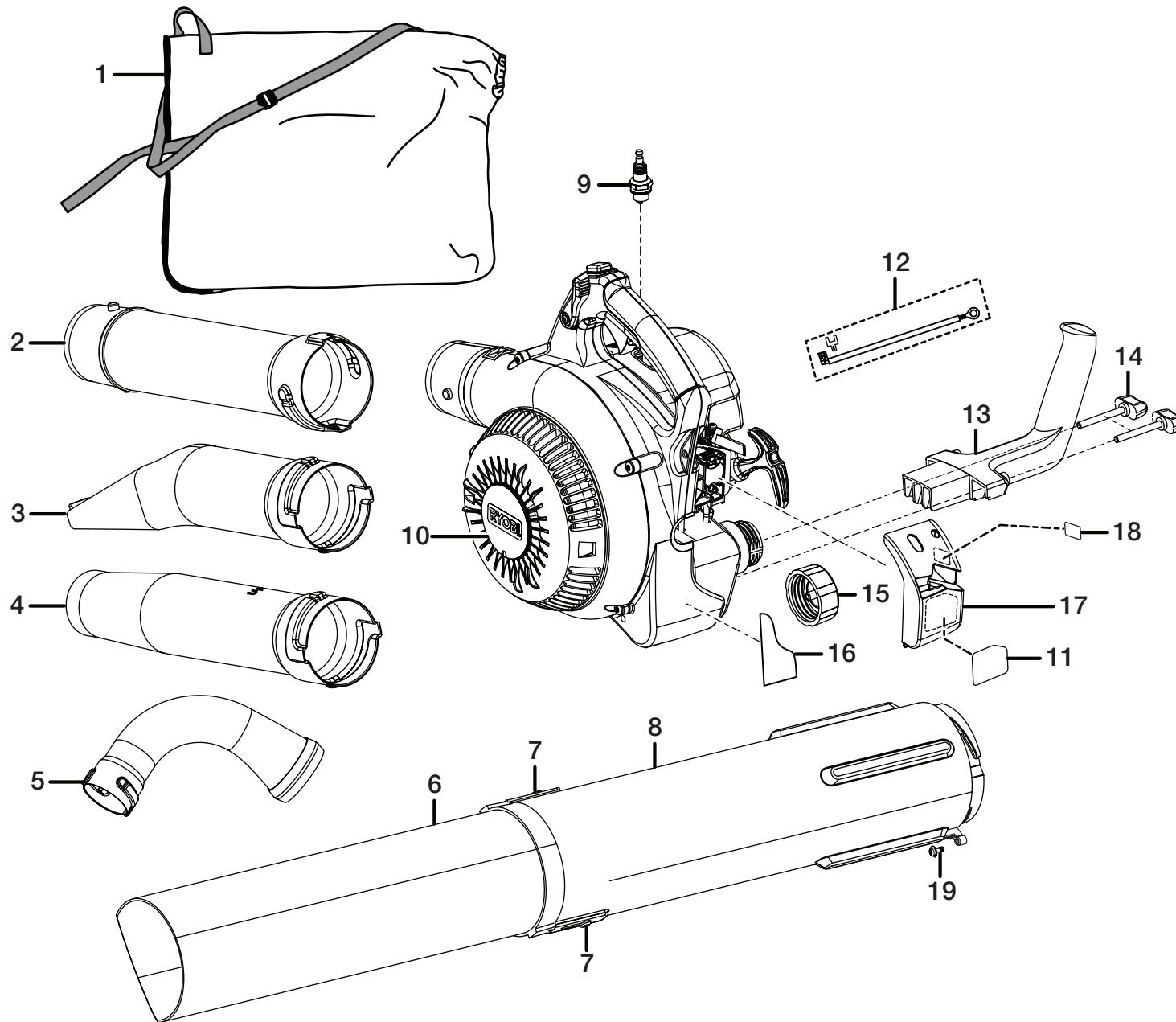


Figure A

RYOBI BLOWER/VACUUM – MODEL NUMBERS RY08554 AND RY09907

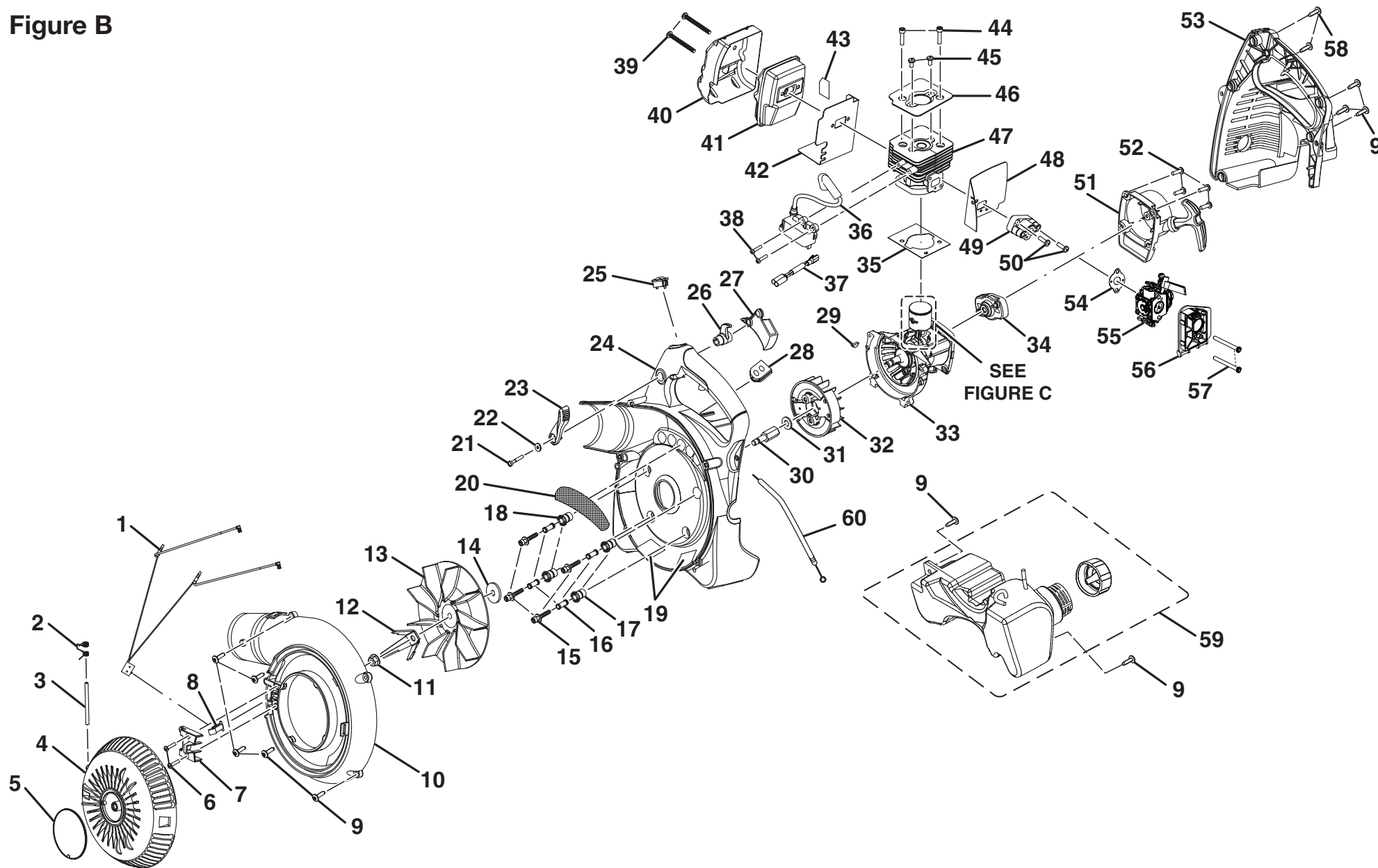
The model number will be found on a plate attached to the engine housing. Always mention the model number in all correspondence regarding your **BLOWER/VACUUM** or when ordering repair parts.

PARTS LIST (FIGURE A)

KEY NO.	PART NUMBER	DESCRIPTION	QTY
1	900960002	Vacuum Bag w/Shoulder Strap	1
2	570543001	Upper Blower Tube	1
3	580613001	High Velocity Nozzle w/ Leaf Scraper.....	1
4	570564001	Sweeper Nozzle	1
5	570563001	Vacuum Bag Adaptor.....	1
6	570562001	Lower Vacuum Tube	1
7	660621001	* Vacuum Tube Screw (10-14 x 1/2 in.).....	2
8	570561003	Upper Vacuum Tube	1
9	870170001	* Spark Plug (Champion RCJ4).....	1
10	940627001	Vacuum Door Label	1
11	940734035	Starting Label.....	1
12	290294001	Ground Wire Kit	1
13	518180001	Vacuum Handle.....	1
14	518273001	Vacuum Handle Knob	2
15	300758006	Fuel Cap Assembly.....	1
16	940627005	Warning Label	1
17	308649002	Air Filter Cover (Incl. part nos. 11 and 18)	1
18	940647032	Choke Label.....	1
19	310221001	* Screw (M5 x 14 mm).....	1
	987000308	Operator's Manual (960641002)	1
	6-13-08 (REV:01)		

* STANDARD HARDWARE ITEM – MAY BE PURCHASED LOCALLY

Figure B



RYOBI BLOWER/VACUUM – MODEL NUMBERS RY08554 AND RY09907

The model number will be found on a plate attached to the engine housing. Always mention the model number in all correspondence regarding your **BLOWER/VACUUM** or when ordering repair parts.

PARTS LIST (FIGURE B)

KEY NO.	PART NUMBER	DESCRIPTION	QTY	KEY NO.	PART NUMBER	DESCRIPTION	QTY
1	870166001	Vacuum Door Kill Switch	1	31	678171002	Washer (2.3 mm).....	1
2	678117001	Vacuum Door Hinge Spring.....	1	32	640574001	Flywheel Assembly	1
3	650026002	Hinge Pin	1	33	300749002	Crankcase Assembly.....	1
4	518268001	Vacuum Door.....	1	34	308004001	Pulley Assembly	1
5	518252001	Vacuum Door Cover	1	35	900709001	Cylinder Gasket.....	1
6	660665001	* Screw (M4 x 19 mm).....	2	36	290178008	Coil & Boot Assembly.....	1
7	518170001	Vacuum Door Hinge.....	1	37	290702001	Ignition Switch Harness.....	1
8	518254001	Kill Switch Activator Lever	1	38	660349001	* Screw (M4 x 22 mm).....	2
9	660674001	* Screw (M14 x 7/8 in.).....	10	39	660347001	* Screw (M5 x 50 mm).....	2
10	518266034	Outer Volute Housing	1	40	638027001	Heat Shield	1
11	678128002	Hex Nut w/Retaining Washer	1	41	300748018	Muffler Assembly.....	1
12	678114001	Mulcher Blade	1	42	638183001	Gasket Muffler	1
13	518265001	Blower Fan (25.4cc).....	1	43	900955003	Heat Shield	1
14	678126001	Washer (Fan Spacer)	1	44	660342001	* Screw (M5 x 22 mm).....	2
15	660759002	* Screw (M5 x 8 mm Cap Hd.)	4	45	660351002	* Screw w/Washer (M5 x 10 mm).....	2
16	678124001	Sleeve Bushing.....	4	46	630002021	Cylinder Plate	1
17	570544002	Anti Vibration Bushing	2	47	640570016	Cylinder	1
18	570544003	Vibration Isolator.....	2	48	901206001	Insulator Gasket	1
19	900955001	Heat Shield	2	49	518596001	Heat Dam.....	1
20	638179001	Wire Mesh.....	1	50	660344003	* Screw w/Washer (M5 x 31 mm).....	2
21	660666001	* Screw (M4 x 25 mm).....	1	51	308430001	Starter Assembly	1
22	678125001	Washer.....	1	52	660351001	* Screw (M5 x 16 mm).....	4
23	518160001	Cruise Control Lever.....	1	53	518323012	Engine Shroud Housing	1
24	518140004	Inner Volute Housing	1	54	901552001	Carburetor Gasket	1
25	760363003	Switch.....	1	55	308054014	Carburetor	1
26	518150001	Trigger Lock.....	1	56	518623001	Air Box Base.....	1
27	518255001	Trigger.....	1	57	660454006	* Bolt (M5 x 44 mm)	2
28	570624001	Rubber Grommet.....	1	58	660674003	* Screw (M14 x 7/8 in.).....	2
29	690688001	Woodruff Key (S43C).....	1	59	308342006	Fuel Tank Assembly.....	1
30	308068002	Crankshaft Extension	1	60	309992001	Throttle Cable	1

* STANDARD HARDWARE ITEM – MAY BE PURCHASED LOCALLY

RYOBI BLOWER/VACUUM – MODEL NUMBERS RY08554 AND RY09907

The model number will be found on a plate attached to the engine housing. Always mention the model number in all correspondence regarding your **BLOWER/VACUUM** or when ordering repair parts.

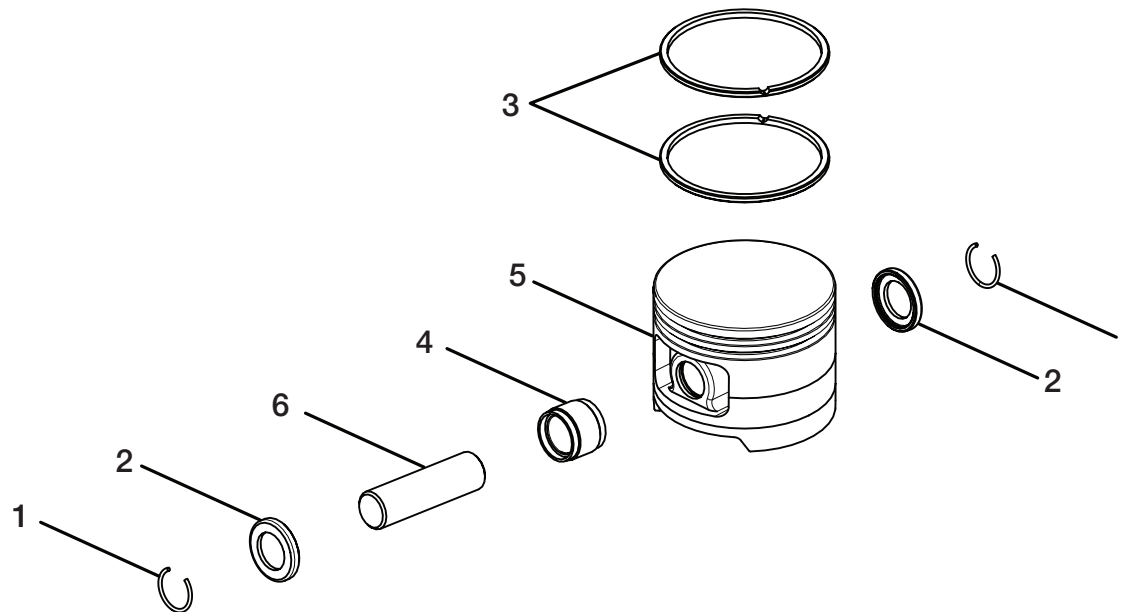


Figure C

PARTS LIST (FIGURE C)

KEY NO.	PART NUMBER	DESCRIPTION	QTY
1	690691001	Circlip Pin	2
2	690687001	Washer	2
3	690690001	Piston Ring	2
4	690686002	Needle Bearing	1
5	640573003	Piston	1
6	620301001	Piston Pin	1

* STANDARD HARDWARE ITEM – MAY BE PURCHASED LOCALLY