

For Parts Call 606-678-9623 or 606-561-4983

HOMELITE

YARD BROOM II BLOWERS

MODEL NOS.

**UT08012, UT08512, UT08512A,
AND UT08512B**

REPAIR SHEET

HOMELITE YARD BROOM BLOWERS - MODEL NUMBERS UT08012, UT08512, UT08512A, AND UT08512B

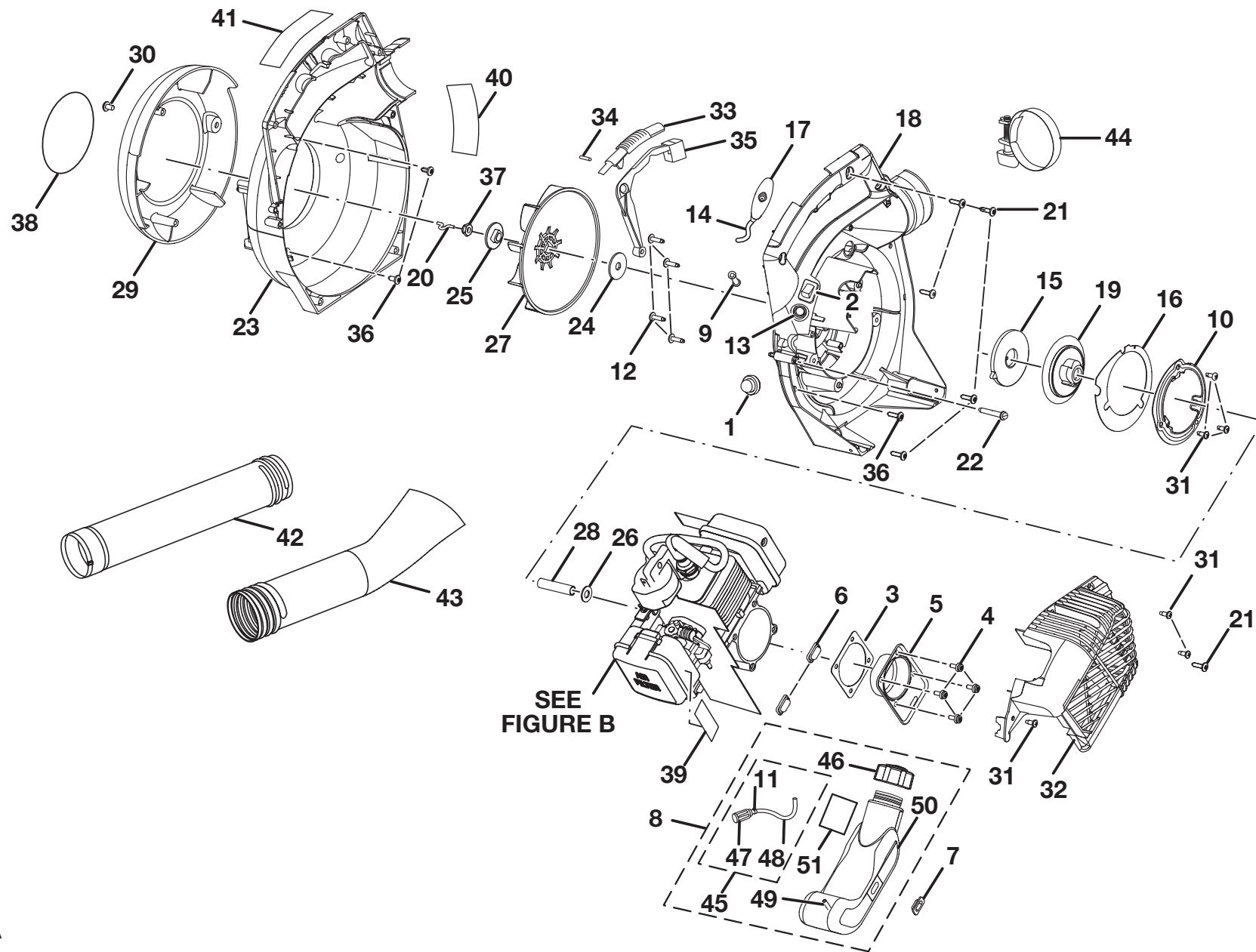


Figure A

HOMELITE YARD BROOM BLOWERS – MODEL NUMBERS UT08012, UT08512, UT08512A, AND UT08512B

The model number will be found on a plate attached to the motor housing. Always mention the model number in all correspondence regarding your **BLOWER** or when ordering repair parts.

PARTS LIST (FIGURE A)

| KEY NO. | PART NUMBER | DESCRIPTION | QTY | KEY NO. | PART NUMBER | DESCRIPTION | QTY |
|---------|-------------|---|-----|---------|-------------|---|-----|
| 1 | 308088001 | PRIMER BULB..... | 1 | 29 | 518078001 | DOOR..... | 1 |
| 2 | 760363002 | SWITCH..... | 1 | 30 | 660668001 | * SCREW (1/4-20 x 3/4)..... | 1 |
| 3 | 900954001 | CRANKCASE GASKET..... | 1 | 31 | 660669001 | * SCREW (#8 x 1/2 in. PAN HD.)..... | 6 |
| 4 | 660664001 | * SCREW (10-24 x 9/16 in. PAN HD.)..... | 4 | 32 | 518251001 | BLOWER SHROUD..... | 1 |
| 5 | 638031001 | CRANKCASE COVER..... | 1 | 33 | 518211001 | SLIDE..... | 1 |
| 6 | 570256001 | RUBBER BUMPER..... | 2 | 34 | 348007001 | PIN..... | 1 |
| 7 | 570549001 | BIG BUMPER..... | 1 | 35 | 518247001 | TRIGGER..... | 1 |
| 8 | 308123004 | FUEL TANK ASSEMBLY (INC. KEY NOS. 45-46, 49-50)..... | 1 | 36 | 660618001 | * SCREW (10-24 x 3/4 in. TORX TRUSS HD.)..... | 3 |
| 9 | 650013001 | BUSHING - STARTER ROPE..... | 1 | 37 | 660730001 | * LOCK NUT (3/8-24)..... | 1 |
| 10 | 638032001 | BAFFLE PLATE..... | 1 | 38 | 940299487 | DOOR LABEL (YARD BROOM)..... | 1 |
| 11 | 690765001 | WIRE CLAMP..... | 1 | 39 | 940647001 | CHOKE LABEL..... | 1 |
| 12 | 660630002 | * SCREW (10-24 x 3/4 in. TRUSS HD.)..... | 4 | 40 | 940299493 | FAN INTAKE WARNING LABEL..... | 1 |
| 13 | 650014001 | BUSHING STARTER..... | 1 | 41 | 940642005 | WARNING/STARTING LABEL..... | 1 |
| 14 | 900849004 | STARTER ROPE..... | 1 | 42 | 580555001 | UPPER TUBE..... | 1 |
| 15 | 638033001 | SPRING & CONTAINER..... | 1 | 43 | 580556001 | LOWER NOZZLE..... | 1 |
| 16 | 900957001 | BAFFLE GASKET..... | 1 | 44 | 348005003 | CLAMP..... | 1 |
| 17 | 518073001 | STARTER GRIP..... | 1 | 45 | 308283001 | FUEL FILTER KIT (INC. KEY NOS. 11, 47-48)..... | 1 |
| 18 | 518249001 | INNER VOLUTE HOUSING..... | 1 | 46 | 300758006 | FUEL CAP ASSEMBLY..... | 1 |
| 19 | 308134001 | PULLEY ASSEMBLY..... | 1 | 47 | 300759003 | FUEL FILTER..... | 1 |
| 20 | 638074001 | WIRE LOOP..... | 1 | 48 | 570258003 | RUBBER TUBING (165.10 mm)..... | 1 |
| 21 | 660629001 | * SCREW (10-14 x 3/4 in. TORX TRUSS HD.)..... | 6 | 49 | 570259005 | RUBBER TUBING (196.85 mm)..... | 1 |
| 22 | 660667001 | * SCREW (10 x 1-5/8 in. HEX HD.)..... | 1 | 50 | 580553002 | FUEL TANK..... | 1 |
| 23 | 518250001 | OUTER VOLUTE..... | 1 | 51 | 900955001 | HEAT SHIELD..... | 1 |
| 24 | 650016001 | FLAT WASHER..... | 1 | | 983000593 | OPERATOR'S MANUAL (UT08012 & UT08512) | |
| 25 | 640858001 | FAN ADAPTOR..... | 1 | | 983000780 | OPERATOR'S MANUAL (UT08512A) | |
| 26 | 650017001 | FLAT WASHER..... | 1 | | 983000948 | OPERATOR'S MANUAL (UT08512B) | |
| 27 | 518077001 | FAN..... | 1 | | 983000593R | REPAIR SHEET (REV:06) | |
| 28 | 650018001 | FAN SPACER..... | 1 | | 12-08-06 | | |

* STANDARD HARDWARE ITEM – MAY BE PURCHASED LOCALLY

HOMELITE YARD BROOM BLOWERS - MODEL NUMBERS UT08012, UT08512, UT08512A, AND UT08512B

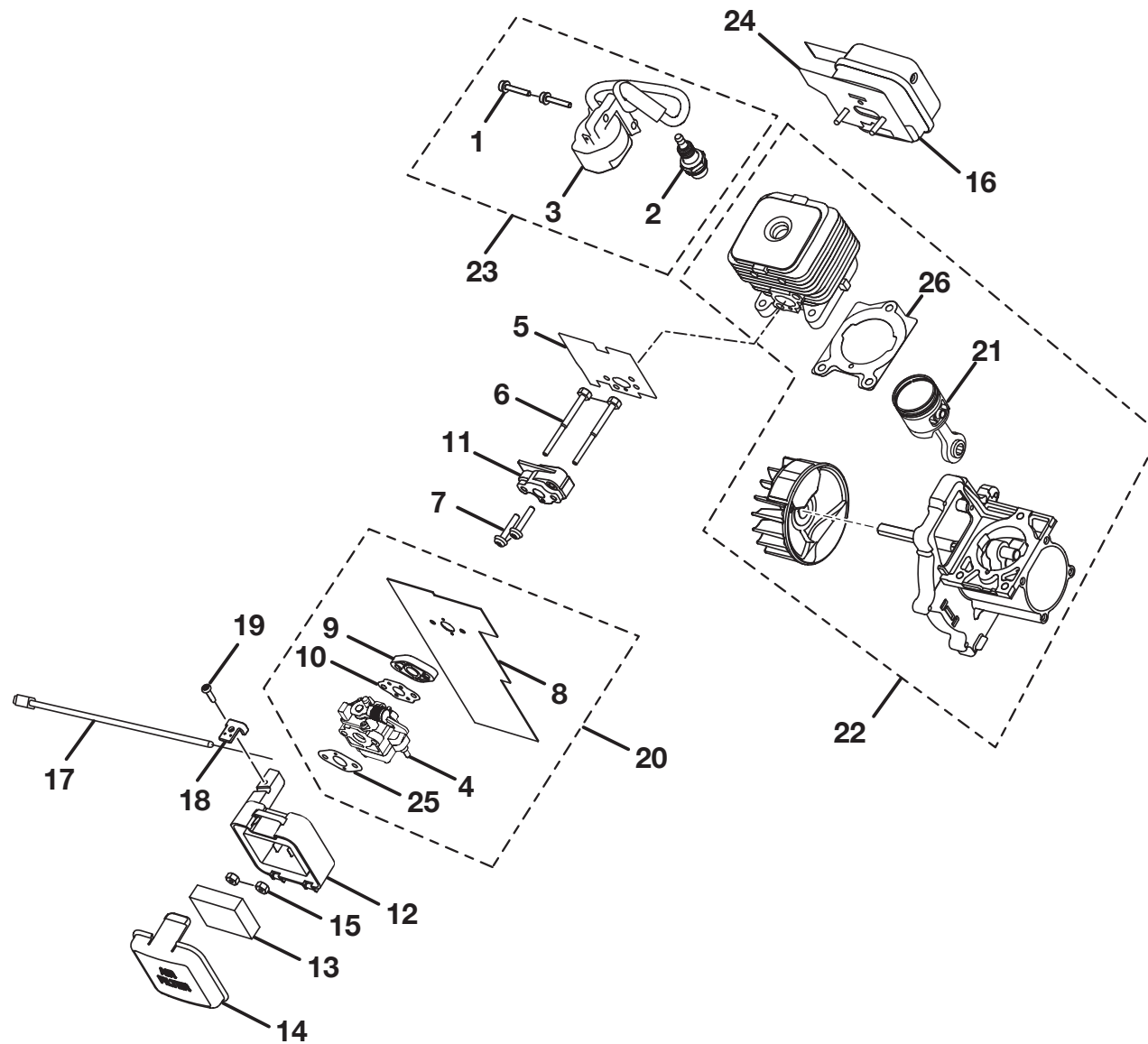


Figure B

HOMELITE YARD BROOM BLOWERS – MODEL NUMBERS UT08012, UT08512, UT08512A, AND UT08512B

The model number will be found on a plate attached to the motor housing. Always mention the model number in all correspondence regarding your **BLOWER** or when ordering repair parts.

PARTS LIST (FIGURE B)

| KEY NO. | PART NUMBER | DESCRIPTION | QTY |
|---------|-------------|--|-----|
| 1 | 660660001 | SCREW THD FORMING..... | 2 |
| 2 | 870174001 | SPARK PLUG CHAMPION RCJ-6Y | 1 |
| 3 | 850080001 | IGNITION MODULE..... | 1 |
| 4 | 308028004 | CARBURETOR..... | 1 |
| 5 | 900950001 | HEAT DAM GASKET | 1 |
| 6 | 660346002 | CARBURETOR MOUNTING BOLT..... | 2 |
| 7 | 660662001 | * SCREW (10-24 x 1.11 PAN HD.)..... | 2 |
| 8 | 900951004 | CARBURETOR GASKET | 1 |
| 9 | 518120001 | SPACER | 1 |
| 10 | 900711003 | GASKET | 1 |
| 11 | 518087001 | HEAT DAM | 1 |
| 12 | 518248001 | AIR FILTER BOX..... | 1 |
| 13 | 900952001 | AIR FILTER | 1 |
| 14 | 518072001 | AIR FILTER COVER | 1 |
| 15 | 678027001 | * HEX NUT (10-24)..... | 2 |
| 16 | 300748010 | MUFFLER..... | 1 |
| 17 | 270021002 | THROTTLE CABLE..... | 1 |
| 18 | 638133002 | THROTTLE CABLE CLIP..... | 1 |
| 19 | 660734001 | SCREW-FILTER BOX | 1 |
| 20 | 308281001 | CARBURETOR KIT (INC. KEY NOS. 4, 8-10 AND 25)..... | 1 |
| 21 | 308119002 | PISTON ASSEMBLY KIT | 1 |
| 22 | 308099003 | SHORT BLOCK ASSEMBLY (INC. KEY NOS. 21 AND 26) | 1 |
| 23 | 308284001 | IGNITION KIT (INC. KEY NOS. 1-3) | 1 |
| 24 | 990994001 | MUFFLER GASKET..... | 1 |
| 25 | 900994004 | GASKET | 1 |
| 26 | 900953001 | CYLINDER GASKET..... | 1 |

* STANDARD HARDWARE ITEM – MAY BE PURCHASED LOCALLY