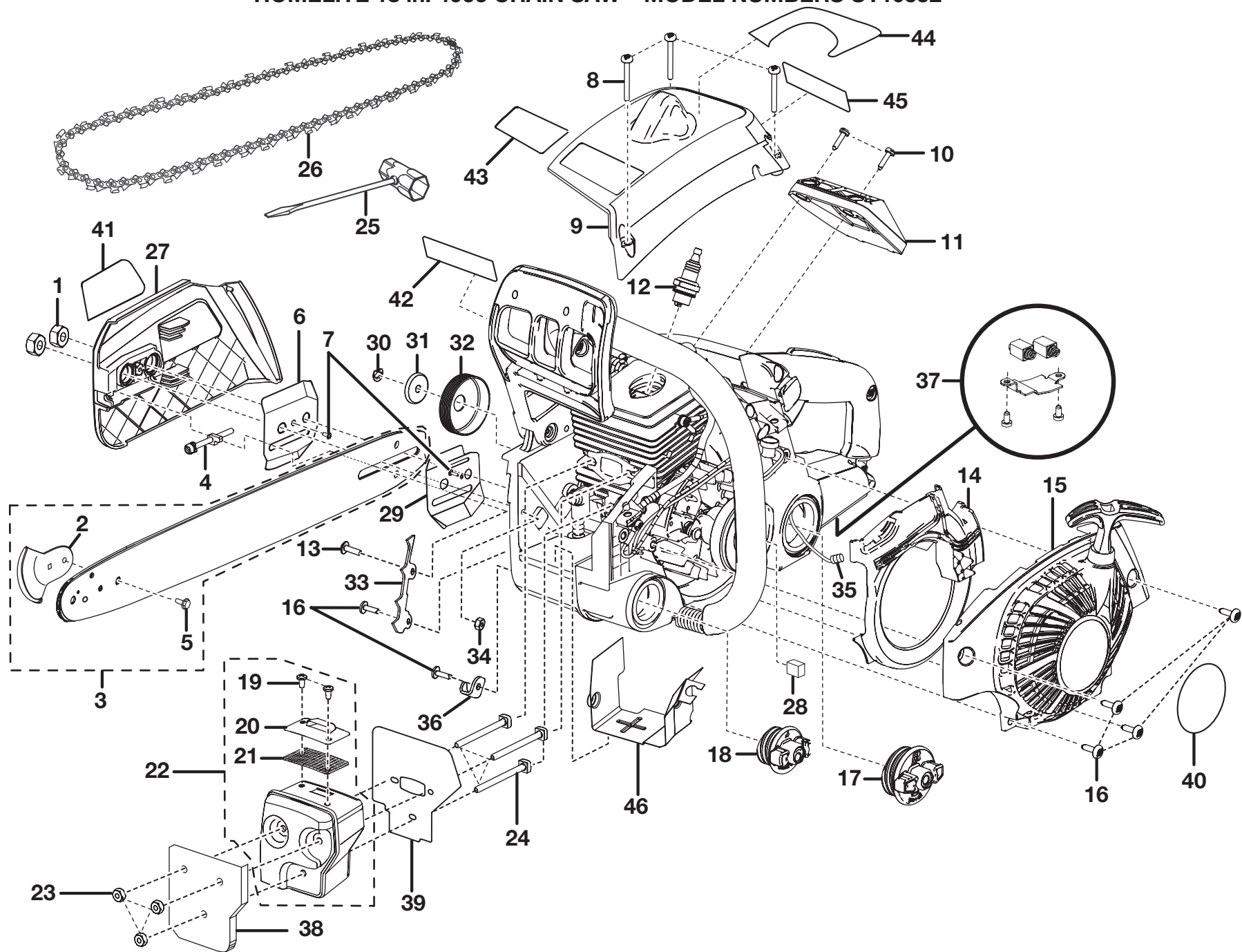


For Parts Call 606-678-9623 or 606-561-4983

**HOMELITE  
18 in. 46cc CHAIN SAW  
MODEL NO. UT10552  
REPAIR SHEET**

HOMELITE 18 in. 46cc CHAIN SAW - MODEL NUMBERS UT10552



**HOMELITE 18 in. 46cc CHAIN SAW – MODEL NUMBERS UT10552**

The model number will be found on a plate attached to the engine housing. Always mention the model number in all correspondence regarding your **CHAIN SAW** or when ordering repair parts.

**PARTS LIST**

KEY NO.	PART NUMBER	DESCRIPTION	QTY	KEY NO.	PART NUMBER	DESCRIPTION	QTY
1	671076001	Guide Bar Nut (5/16-18) .....	2	26	900920007	Chain .....	1
2	308006003	SAFE TIP .....	1	27	308364001	Chain Cover Assembly .....	1
3	308626001	Guide Bar (16 in.) (Incl. Key Nos. 2 and 5) .....	1	28	900844002	Pre-Filter .....	1
4	308116002	Guide Bar Adjustment Assembly .....	1	29	638169001	Inner Guide Plate .....	1
5	660640001	SAFE-T-TIP (Screw and Washer) .....	1	30	671103001	E-Ring .....	1
6	638173001	Outer Guide Plate .....	1	31	631060001	Cupped Washer .....	1
7	660619002	* Screw (6-19 x 1/2 in. T.F.) .....	2	32	300958002	Sprocket Drum & Bearing Assembly .....	1
8	660636001	* Screw (10-16 x 1-1/2 in. Special) .....	3	33	638176001	Bumper Spike .....	1
9	518238001	Top Cover .....	1	34	678744002	* Lock Nut (10-24) .....	1
10	660617001	* Screw (8-16 x 16 mm Torx T.F.) .....	2	35	300759003	Fuel Filter .....	1
11	518306001	Air Filter Cover .....	1	36	631035001	Chain Guard .....	1
12	870174001	Spark Plug (Champion RCJ6Y) .....	1	37	120640001	Tool Holder Assembly .....	1
13	660868001	* Screw (10-24 x 5/8 in. Torx Pan Hd.) .....	1	38	638041002	Heat Shield .....	1
14	518283001	Baffle .....	1	39	900977003	Muffler Gasket .....	1
15	308383001	Starter Cover Assembly .....	1	40	940718001	Starter Housing Decal .....	1
16	660632001	* Screw (10-14 x 5/8 in. Torx Pan Hd.) .....	6	41	940635002	Clutch Cover Label .....	1
17	308362001	Fuel Cap Assembly .....	1	42	940634001	Chain Brake Label .....	1
18	308363001	Oil Cap Assembly .....	1	43	940661002	Warning Label.....	1
19	660624001	* Screw (8-32 x 5/16 in.) .....	2	44	940632001	Starting Instruction Decal .....	1
20	638148001	Plate .....	1	45	940964002	Icon Warning Label.....	1
21	638147001	Spark Screen .....	1	46	638381001	Heat Shield .....	1
22	300940005	Muffler Assembly (Incl. Key Nos. 19-21) .....	1		580656001	Scabbard (Not Shown) .....	1
23	671079001	* Lock Nut (10-32) .....	3		983000736	Operator's Manual (961027002)	
24	660765001	* Bolt (10-32 x 63.6 mm Square Hd.) .....	3		983000736R	Repair Sheet (Rev:00)	
25	308369001	Combination Wrench .....	1		06-07-06		

\* STANDARD HARDWARE ITEM – MAY BE PURCHASED LOCALLY

HOMELITE 18 in. 46cc CHAIN SAW - MODEL NUMBERS UT10552

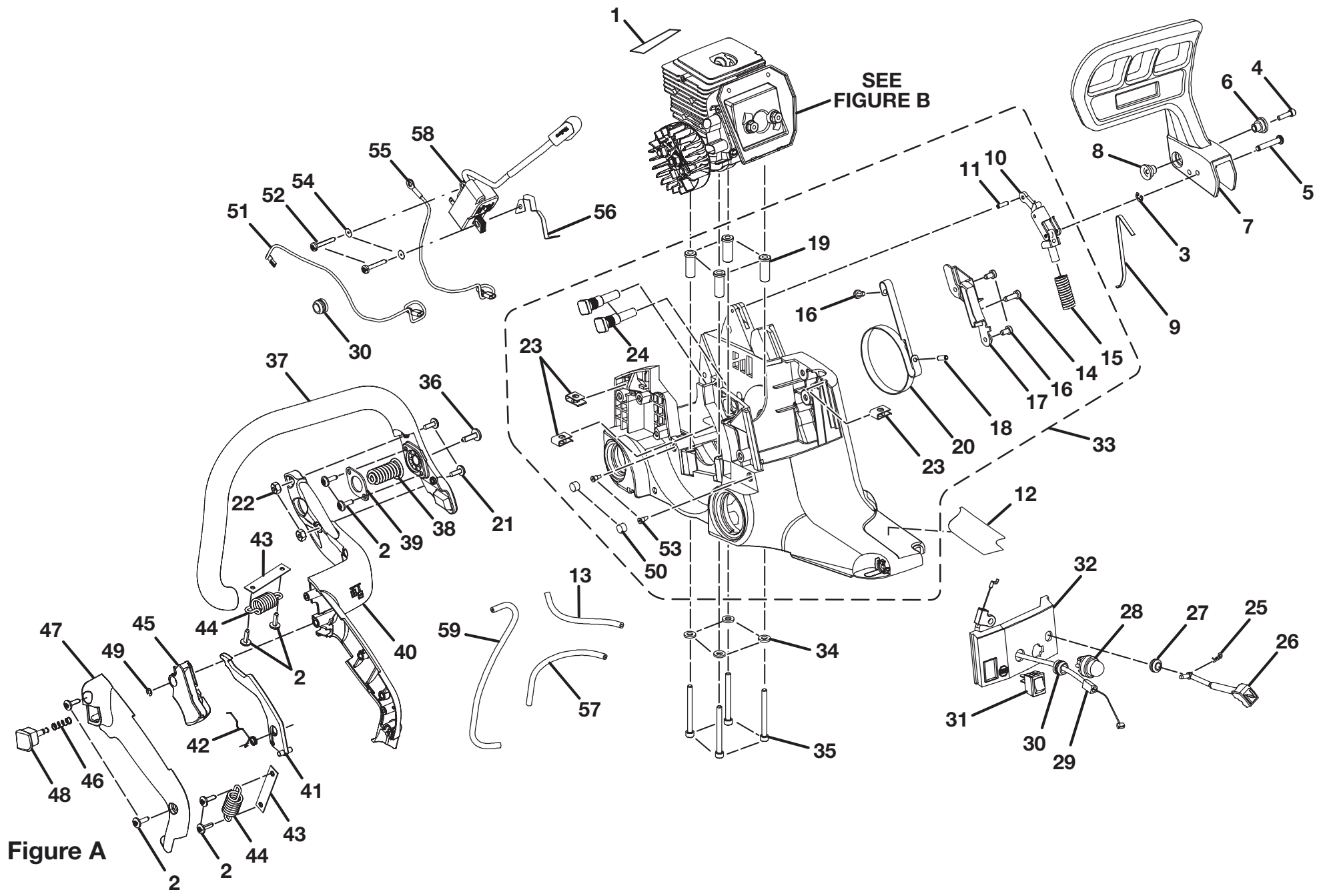


Figure A

SEE FIGURE B

**HOMELITE 18 in. 46cc CHAIN SAW – MODEL NUMBERS UT10552**

The model number will be found on a plate attached to the engine housing. Always mention the model number in all correspondence regarding your **CHAIN SAW** or when ordering repair parts.

**PARTS LIST (FIGURE A)**

KEY NO.	PART NUMBER	DESCRIPTION	QTY	KEY NO.	PART NUMBER	DESCRIPTION	QTY
1	901358001	Heat Reflector Tape.....	1	31	760338001	Switch.....	1
2	660632001	* Screw (10-14 X 5/8 in. Torx Pan Hd.) .....	8	32	518276001	Control Panel.....	1
3	671075001	Retaining Ring .....	1	33	308823001	Chassis Assembly (Inc. Key Nos. 10, 11, 14-20, 23, 24, 50 and 53).....	1
4	660635001	* Screw (8-32 X 5/8 in. Hex Soc. Hd.).....	1	34	671080001	Washer.....	4
5	620442001	Handguard Lever Pin.....	1	35	660622001	* Screw (10-24 X 2 in. Soc. Cap Hd.).....	4
6	671096001	Pivot (Right Hand).....	1	36	660630001	* Screw (10-24 X 5/8 in. Torx Hd.).....	1
7	518278001	Handguard.....	1	37	518244001	Front Handle.....	1
8	671097001	Pivot (Left Hand).....	1	38	671100003	Upper Isolator Spring .....	1
9	638024001	Spring .....	1	39	631051001	Isolator Plate.....	1
10	300954002	Chain Brake Link Assembly.....	1	40	518240001	Handle Support .....	1
11	671099001	Roll Pin (Small).....	1	41	518301001	Lockout Throttle .....	1
12	940636001	On-board Label .....	1	42	678037001	Torsion Spring.....	1
13	570247006	Rubber Tubing (95 mm) .....	1	43	308776001	Isolator Limiter .....	2
14	660634002	* Screw (8-16 X 17 mm) .....	1	44	671100002	Isolator Spring .....	2
15	678113001	Spring .....	1	45	518300001	Trigger.....	1
16	660634001	* Screw (8-16 X 0.32 Pan Hd.) .....	3	46	671073001	Spring .....	1
17	518305001	Brake Band Cover .....	1	47	518241001	Handle Cover.....	1
18	671095001	Roll Pin (Big) .....	1	48	518299001	Throttle Lock Pin .....	1
19	671087001	Spacer Insert .....	4	49	638177001	Retaining Ring .....	1
20	631063001	Chain Brake Band Kit .....	1	50	671088001	Element.....	2
21	660964001	* Screw (10-24 X 19.5 mm) .....	2	51	290709001	Lead, Ignition Wire.....	1
22	678744002	* Lock Nut (10-24) .....	2	52	660792001	* Screw (9-15 x 1 in.).....	2
23	671077001	Speed Nut ("U"-type).....	3	53	560955001	Duck Bill Valve .....	2
24	660628001	Guide Bar Bolt .....	2	54	678399001	Washer.....	2
25	631034001	Spring Clip.....	1	55	290709002	Lead,ground Wire .....	1
26	518298001	Choke Rod.....	1	56	290709003	Lead,ground Wire .....	1
27	570219001	Grommet.....	1	57	570247007	Rubber Tubing (120 mm) .....	1
28	300780002	Primer Assembly.....	1	58	300953002	Ignition Module.....	1
29	900885002	Throttle Cable .....	1	59	570247008	Rubber Tubing (222 mm) .....	1
30	570227001	Split Grommet .....	2				

\* STANDARD HARDWARE ITEM – MAY BE PURCHASED LOCALLY

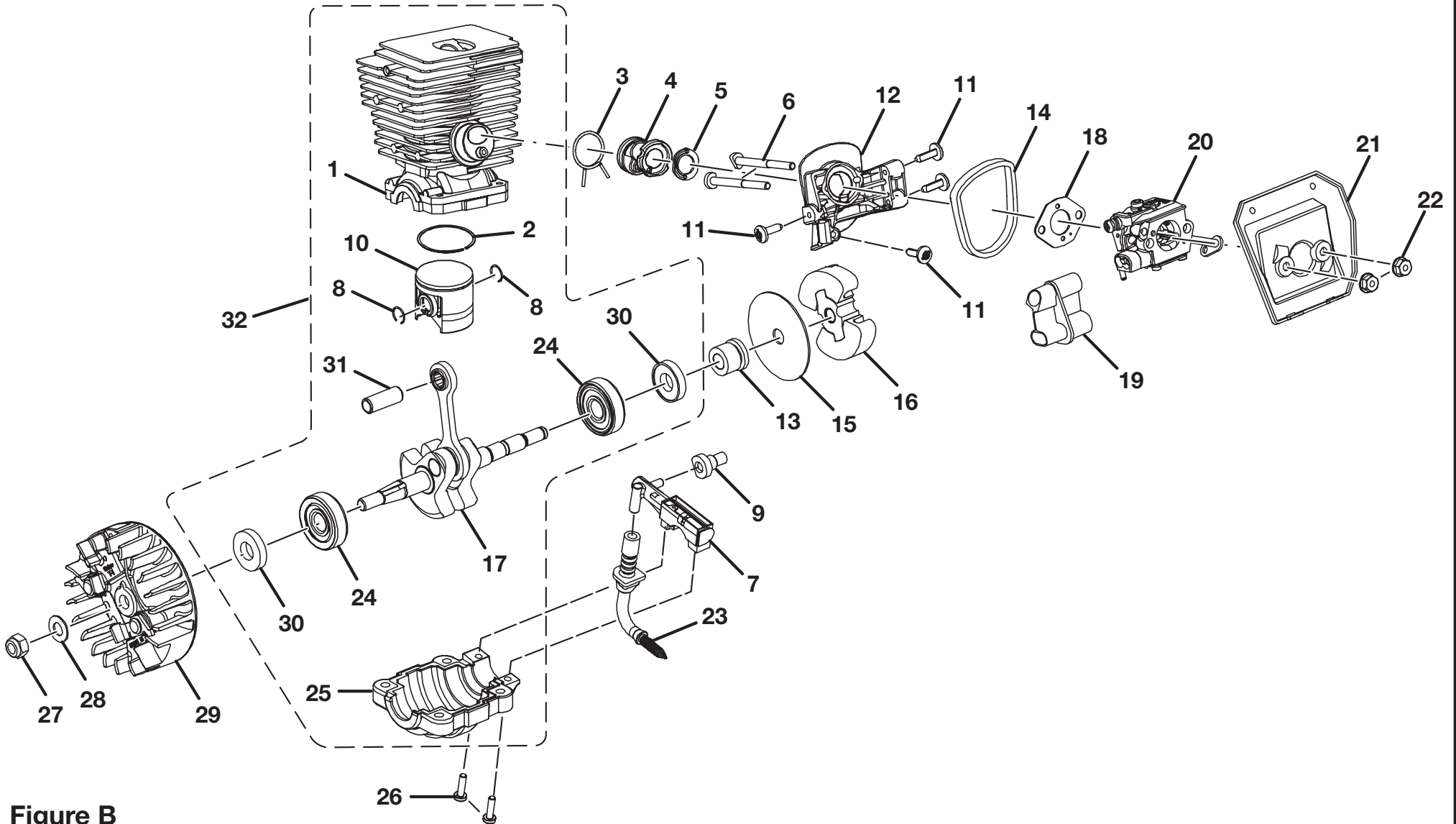


Figure B

**HOMELITE 18 in. 46cc CHAIN SAW – MODEL NUMBERS UT10552**

The model number will be found on a plate attached to the engine housing. Always mention the model number in all correspondence regarding your **CHAIN SAW** or when ordering repair parts.

**PARTS LIST (FIGURE B)**

KEY NO.	PART NUMBER	DESCRIPTION	QTY
1	640982004	Cylinder .....	1
2	678182001	Piston Ring .....	1
3	671168001	Wire Clamp.....	1
4	570662001	Intake Boot Rubber .....	1
5	518490001	Carburetor Plate.....	1
6	660879001	* Screw (10-24 x 2-1/4 in.).....	2
7	300945001	Oil Pump Assembly .....	1
8	678183001	Retaining Ring .....	2
9	570597001	Oil Outlet Grommet .....	1
10	640975002	Piston (46cc).....	1
11	660632001	* Screw (10-14 x 5/8 in. Torx Pan Hd.) .....	4
12	518245001	Carburetor Spacer.....	1
13	T610389001	Left Hand Worm .....	1
14	570577001	Spacer Seal .....	1
15	631061001	Thrust Washer .....	1
16	300960003	Clutch Assembly .....	1
17	308290001	Crankshaft Assembly .....	1
18	900843001	Carburetor Gasket.....	1
19	518312001	Carburetor Grommet .....	1
20	308370001	Carburetor Assembly .....	1
21	518360001	Air Filter Plate .....	1
22	678033001	* Flange Nut (10-24).....	2
23	308291001	Oil Intake Tube with Spring .....	1
24	308007001	Bearing Case with Bearing.....	2
25	640957001	Crankcase .....	1
26	660627001	* Screw (8-32 X 5/8 in. Pan Hd.).....	2
27	678123001	* Nut (5/16-24) .....	1
28	631049001	Flat Washer .....	1
29	308631001	Rotor Assembly .....	1
30	570220001	Shaft Seal .....	2
31	620392001	Piston Pin .....	1
32	300984004	Short Block Assembly (Inc. Key Nos. 1, 2, 8, 10, 17, 24, 25, 30 and 31) .....	1

\* STANDARD HARDWARE ITEM – MAY BE PURCHASED LOCALLY