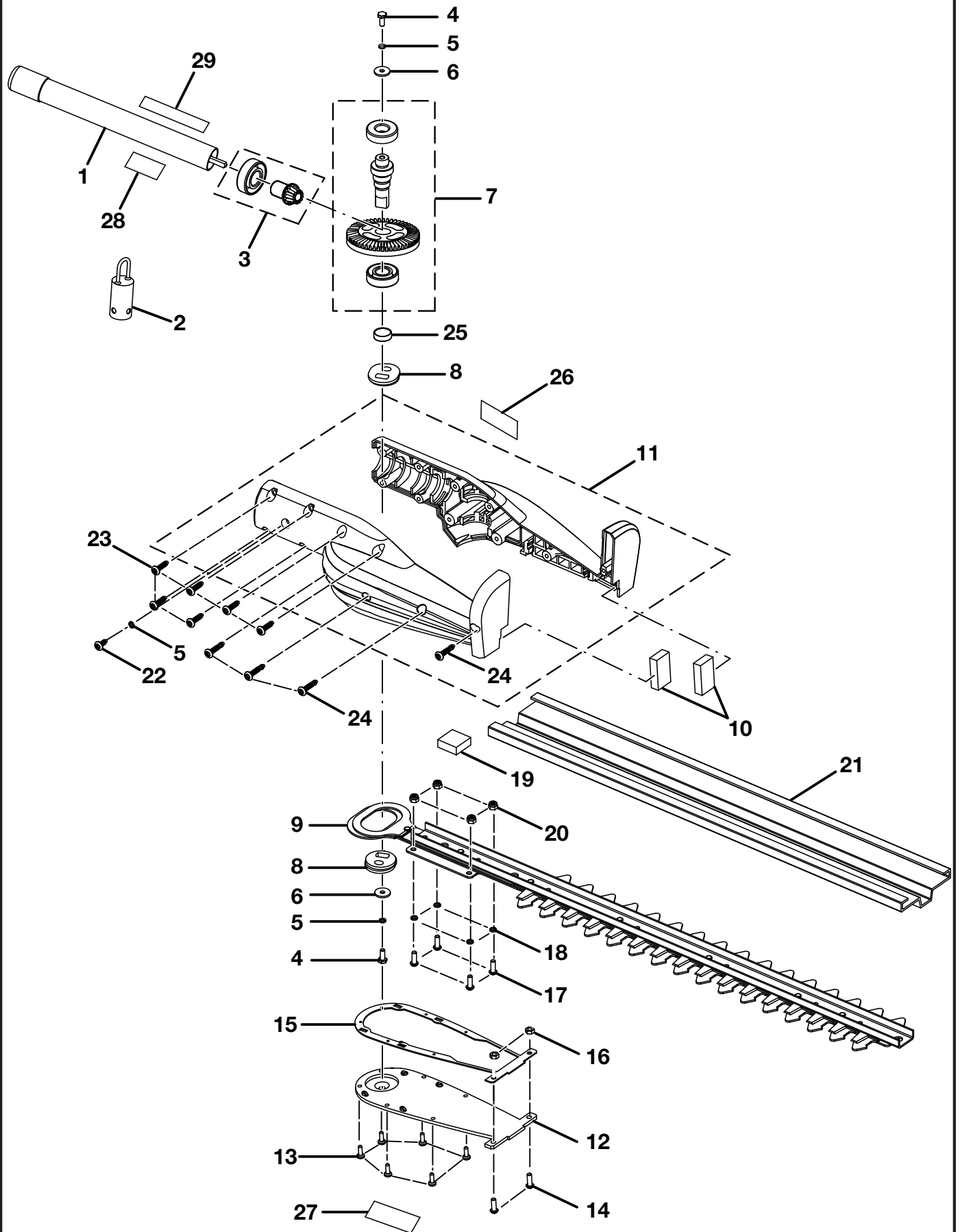


For Parts Call 606-678-9623 or 606-561-4983

**EXPAND-IT  
HEDGE TRIMMER ATTACHMENT  
MODEL NO. UT15703  
REPAIR SHEET**

EXPAND-IT HEDGE TRIMMER ATTACHMENT – MODEL NO. UT15703



**EXPAND-IT HEDGE TRIMMER ATTACHMENT – MODEL NO. UT15703**

**PARTS LIST**

Key No.	Part Number	Description	Qty.
1	099069001001	LOWER DRIVE SHAFT ASSEMBLY	1
2	099078001039	HANGER CAP	1
3	099069002001	PINION ASSEMBLY	1
4	099069001004	* SCREW (M5 X 10 mm)	2
5	099069001005	* SPRING WASHER	3
6	099069001006	FLAT WASHER	2
7	099069002002	OUTPUT SHAFT ASSEMBLY	1
8	099069001012	CAM	2
9	099069001013	BLADE ASSEMBLY	1
10	099069001014	FELT	2
11	099069002005	HOUSING ASSEMBLY	1
12	099069001016	HOUSING BOTTOM PLATE	1
13	099069001017	* SCREW (M3.5 X 8 mm)	6
14	099069001018	* SCREW (M4 X 12 mm)	2
15	099069001019	SEAL	1
16	099069001020	* NUT (M4)	2
17	099069001021	* SCREW (M4 X 16 mm)	4
18	099069001022	* SPRING WASHER	4
19	099069001023	FELT	1
20	099069001024	* NUT (M4)	4
21	099069001025	BLADE GUARD (SCABBARD)	1
22	099069001028	* SCREW (M4.8 X 7 mm)	1
23	099069001029	* SCREW (M4.8 X 15 mm)	6
24	099069001027	* SCREW (M4.8 X 26 mm)	4
25	099069002012	CAM WASHER	1
26	099069002011	EXPAND-IT LOGO LABEL	1
27	099069002010	HOT SURFACE LABEL	1
28	099069002009	DATA LABEL	1
29	099069002008	WARNING LABEL	1
	983000896	OPERATOR'S MANUAL (099069002006)	
	983000896R	REPAIR SHEET (REV:00)	
	12-21-05		

\* Standard Hardware Item – May Be Purchased Locally