

For Parts Call 606-678-9623 or 606-561-4983

**RYOBI
GAS CULTIVATOR
MODEL NO. RY60511A
REPAIR SHEET**

www.mymowerparts.com

RYOBI GAS CULTIVATOR – MODEL NO. RY60511A

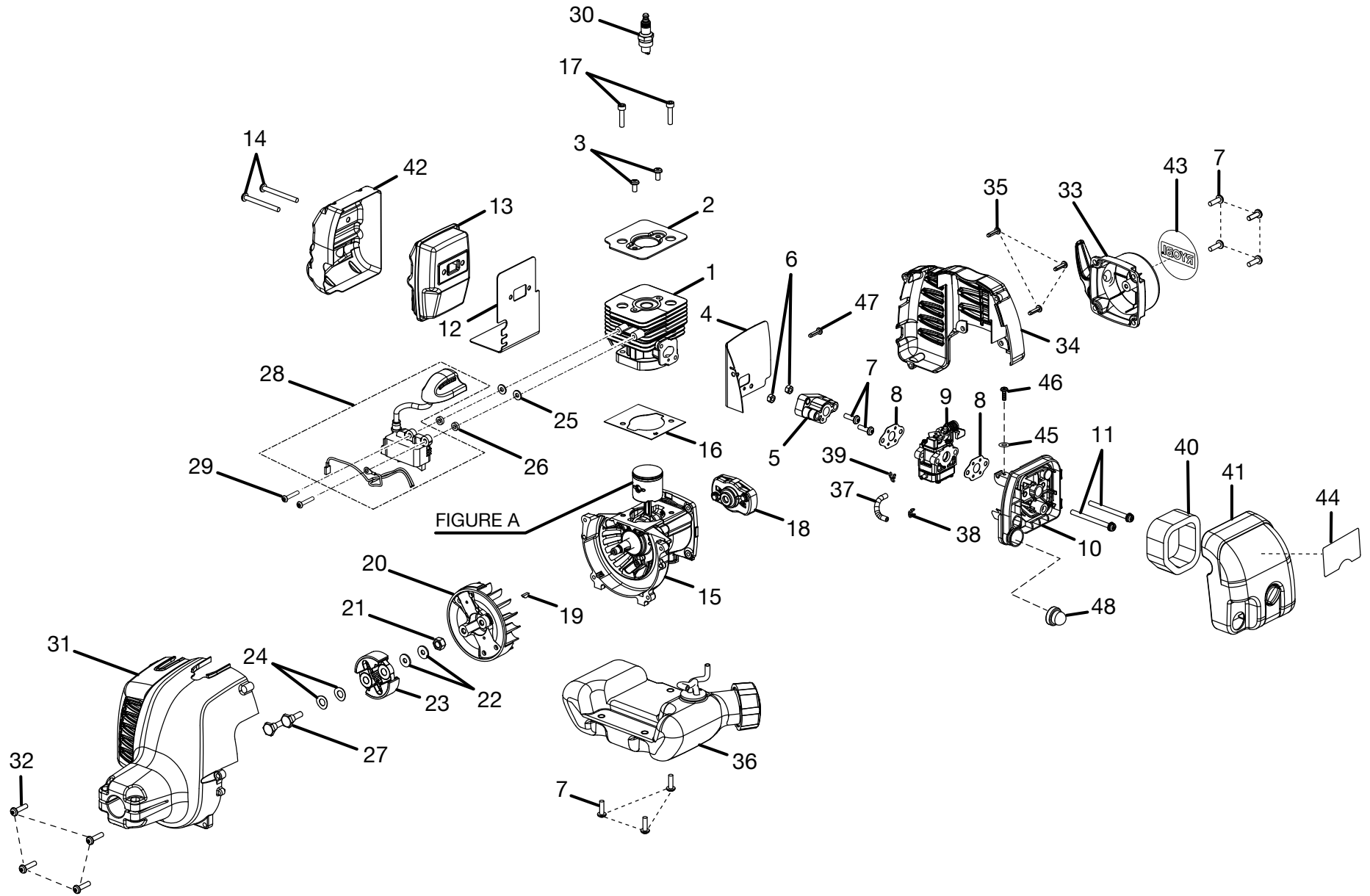
The model number will be found on a plate attached to the engine housing. Always mention the model number in all correspondence regarding your **GAS CULTIVATOR** or when ordering repair parts.

PARTS LIST

KEY NO.	PART NUMBER	DESCRIPTION	QTY.	KEY NO.	PART NUMBER	DESCRIPTION	QTY.
1	220029001	GEAR BOX ASSEMBLY WITH TUBE.....	1	27	678135001	RETAINING RING	1
2	518132001	LINER - DRIVE TUBE	1	28	308217001	TANK - BALLAST ASSEMBLY (INCLUDES KEY NO. 29).....	1
3	308216002	TINE A, OUTER RIGHT.....	1	29	950119004	LOGO LABEL	1
4	308216003	TINE B, INNER RIGHT.....	1	30	638099001	MOUNTING BRACKET.....	1
5	308216004	TINE C, INNER LEFT	1	31	518053002	GRIP	1
6	308216005	TINE D, OUTER LEFT	1	32	360991001	BALLAST TANK LID.....	1
7	900755001	FELT WASHER	2	33	620368001	FLEXIBLE DRIVE SHAFT	1
8	638001004	CLEVIS CLIP.....	2	34	950119001	WHEEL ACCESSORY LABEL.....	1
9	308216001	TINE SHIELD ASSEMBLY (INC. KEY NOS. 19, 34 AND 48)	1	35	82556	* BOLT (10-24 X 1-1/4 in.).....	2
10	983379003	* BOLT (1/4-20 X 3/4 in.).....	5	36	07589	LOCK NUT (10-24)	2
11	678132001	* LOCK NUT (1/4-20)	9	37	968702007	* SCREW (8-16 X 1/2 in.)	1
12	518206001	RECEIVER RETAINER KNOB	1	38	308213001	WHEEL/DRAG STAKE ASSEMBLY (INCLUDES KEY NO. 39-44)	1
13	660713001	* SCREW (M5 X 15 mm PAN HD.)	1	39	308222001	FRAME ASSEMBLY	1
14	308338001	LOWER HANDLE ASSEMBLY (INC. KEY NO. 47)	1	40	638017004	DRAG STAKE.....	1
15	518190001	KNOB (1/4-20).....	2	41	638017003	QUICK RELEASE PIN.....	1
16	308228001	RECEIVER RETAINER ASSEMBLY.....	1	42	638017002	FLAT WASHER	2
17	660711002	* CARRIAGE BOLT (1/4-20 X 2-1/4 in.).....	2	43	308236001	WHEEL ASSEMBLY (7 in. DIA.)	2
18	678142001	ACORN NUT	2	44	678136001	PUSH CAP NUT (FITS 1/2 in.).....	2
19	950119010	WARNING LABEL, FOOT	1	45	950119014	WARNING HANG TAG.....	1
20	660643001	* HANDLE BOLT (1/4-20 X 1.53 in.).....	4	46	950119006	BOOM WARNING LABEL.....	1
21	308047003	UPPER HANDLE ASSEMBLY (INC. KEY NO. 31 AND 46)	1	47	950119003	STARTING LABEL.....	1
22	308026002	THROTTLE CABLE ASSEMBLY (INC. KEY NO. 23)	1	48	950119002	WARNING LABEL.....	1
23	07385	SWITCH.....	1	49	3075801	FUEL CAP (NOT SHOWN).....	1
24	518256001	TRIGGER.....	1	50	950119005	HANG TAG, STARTING (NOT SHOWN).....	1
25	518205001	CLIP.....	2		983000689	REPLACEMENT PARTS LIST	1
26	638132001	CLEVIS PIN.....	1		983000580	OPERATOR'S MANUAL (960976001)	1
					983000580R	REPAIR SHEET (REV:03)	
					09-22-05		

* STANDARD HARDWARE ITEM – MAY BE PURCHASED LOCALLY

RYOBI GAS CULTIVATOR - MODEL NO. RY60511A



RYOBI GAS CULTIVATOR – MODEL NO. RY60511A

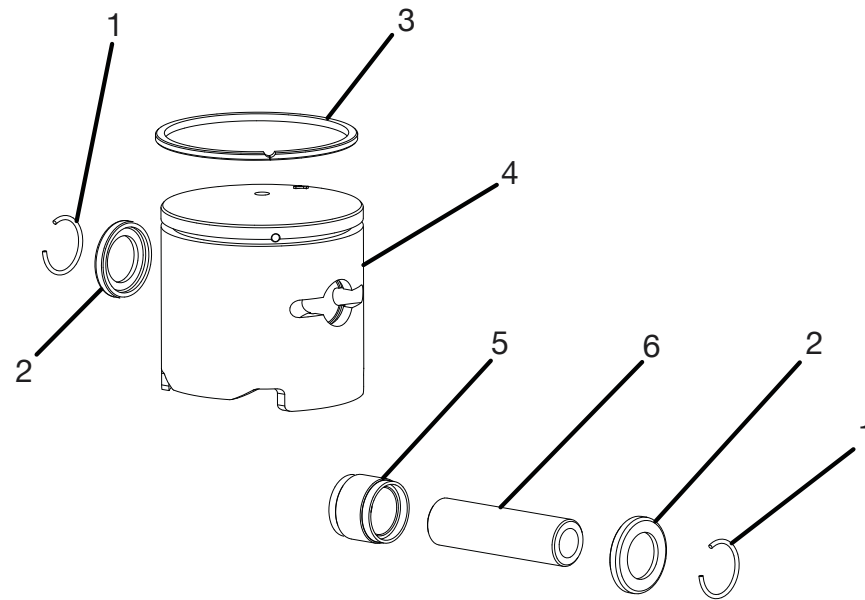
The model number will be found on a plate attached to the engine housing. Always mention the model number in all correspondence regarding your **GAS CULTIVATOR** or when ordering repair parts.

PARTS LIST

KEY NO.	PART NUMBER	DESCRIPTION	QTY.	KEY NO.	PART NUMBER	DESCRIPTION	QTY.
1	640570016	25.4 CYLINDER	1	25	982719005	WASHER	2
2	6300221	PLATE	1	26	5946201	SPACER.....	2
3	983660005	* SCREW (M5 x .8 mm PAN HD.).....	2	27	6635301	* SCREW (M6 x 1 x 14 mm PAN HD.).....	2
4	9071102	GASKET.....	1	28	2917802	COIL ASSEMBLY	1
5	5994701	INSULATOR.....	1	29	6634901	SCREW (M4 x .7 x 22 mm PAN HD.).....	2
6	983619014	* NUT (M5 x .8 mm)	2	30	8714402	SPARK PLUG	1
7	6635101	SCREW (M.8 x 16 mm PAN HD.).....	9	31	985894001	FRONT HOUSING ASSEMBLY	1
8	9071103	GASKET.....	2	32	6634401	SCREW (M5 x .8 x 20 mm PAN HD.).....	4
9	985892001	CARBURETOR ASSEMBLY.....	1	33	308176003	STARTER HOUSING ASSEMBLY	1
10	985530002	FILTER HOUSING ASSEMBLY	1	34	518201001	REAR ENGINE HOUSING	1
11	6634601	* SCREW (M5 x .8 x 60 mm PAN HD.).....	2	35	6656301	* SCREW (M4 x 1.75 x 16 mm PAN HD.).....	3
12	6300206	GASKET.....	1	36	985863001	FUEL TANK.....	1
13	308138003	MUFFLER ASSEMBLY	1	37	5688002	FUEL LINE	1
14	983660057	SCREW (M5 x .8 x 50 mm PAN HD.)	2	38	6970001	CLIP	1
15	300749003	CRANKCASE ASSEMBLY	1	39	6969901	CLIP	1
16	9070901	GASKET.....	1	40	5687301	AIR FILTER.....	1
17	6634201	* SCREW (M5 x .8 x 22 mm).....	2	41	985417001	OUTER COVER ASSEMBLY	1
18	4300401	PULLEY ASSEMBLY	1	42	638027001	HEAT SHIELD	1
19	983784006	WOODRUFF KEY	1	43	950119007	LOGO LABEL	1
20	6457401	ROTOR	1	44	950119008	PRIMER LABEL	1
21	6968901	NUT	1	45	638171001	WASHER	1
22	983788071	WASHER	2	46	983638009	* SCREW (M4 X 16 mm TORX PAN HD.).....	1
23	3075601	CLUTCH ASSEMBLY	1	47	6634502	* SCREW (M4 x 16 mm PAN HD.).....	1
24	6969601	WASHER, CURVED	2	48	3078001	PRIMER	1
					986179001	SPARK ARRESTOR KIT (NOT SHOWN).....	1

* STANDARD HARDWARE ITEM – MAY BE PURCHASED LOCALLY

FIGURE A



PARTS LIST FOR FIGURE A

KEY NO.	PART NUMBER	DESCRIPTION	QTY.
1	6969101	WRIST PIN CLIP RING.....	2
2	6968701	WASHER.....	2
3	690161002	PISTON RING.....	1
4	640920002	PISTON.....	1
5	6968602	NEEDLE BEARING (ID 8 X 8.8).....	1
6	6222701	WRIST PIN.....	1