

For Parts Call 606-678-9623 or 606-561-4983

**RYOBI
CURVED SHAFT TRIMMER
MODEL NO. RY70103
REPAIR SHEET**

RYOBI CURVED SHAFT TRIMMER – MODEL NO. RY70103

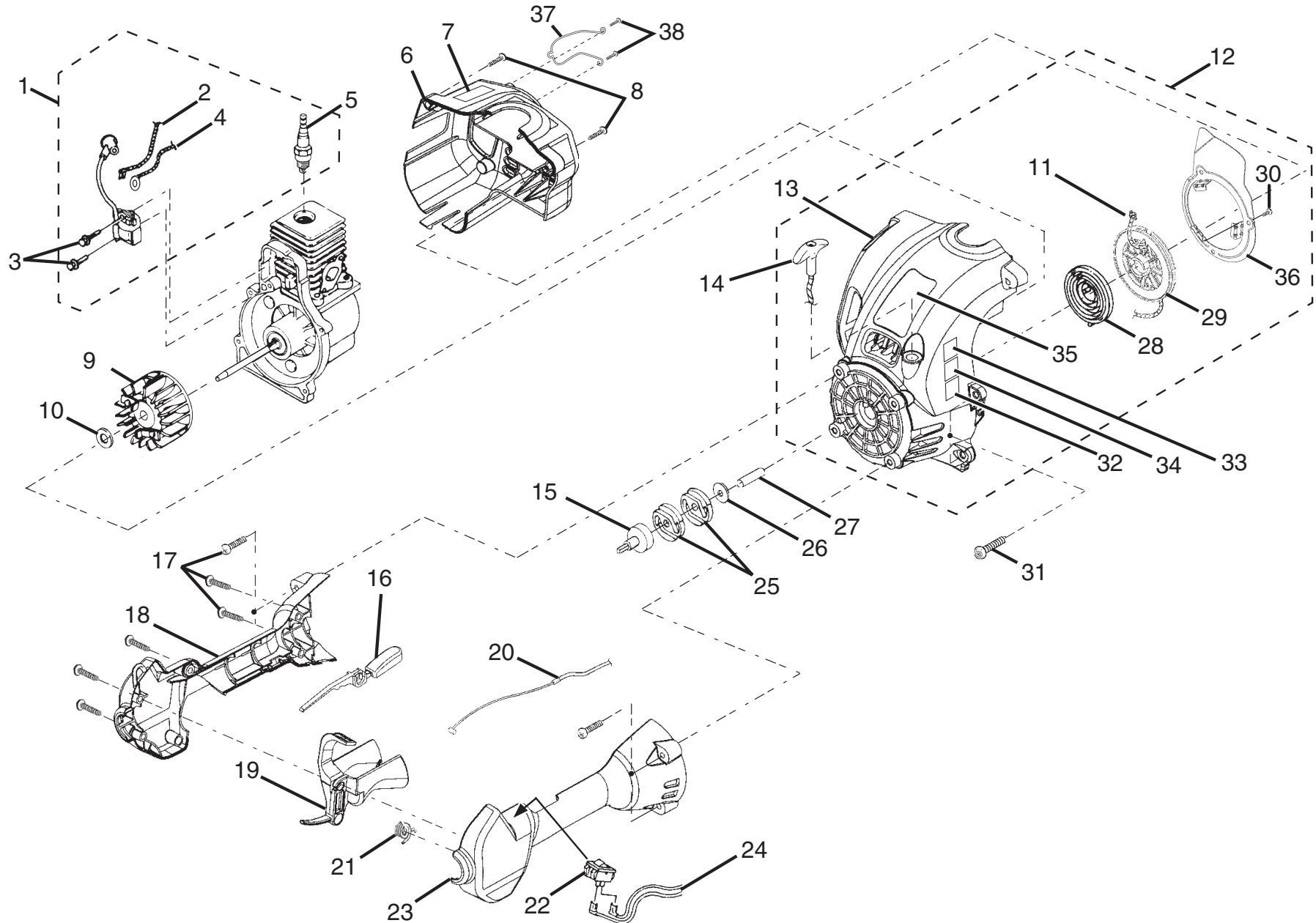


FIGURE A

RYOBI CURVED SHAFT TRIMMER – MODEL NO. RY70103

The model number will be found on a plate attached to the engine housing. Always mention the model number in all correspondence regarding your **STRING TRIMMER** or when ordering repair parts.

PARTS LIST FOR FIGURE A

NO.	KEY NUMBER	PART DESCRIPTION	QTY.	NO.	KEY NUMBER	PART DESCRIPTION	QTY.
1	984520001	IGNITION KIT.....	1	19	PS06259	TRIGGER.....	1
2	A06963	ELECTRICAL LEAD.....	1	20	PS01177	THROTTLE CABLE.....	1
3	82540	SCREW.....	2	21	PS01718	SPRING.....	1
4	A06964	ELECTRICAL LEAD.....	1	22	07385	SWITCH.....	1
5	PS02227	SPARK PLUG.....	1	23	PS01125	CONTROL HANDLE / LH.....	1
6	PS01127	REAR COVER.....	1	24	PA00387	ELECTRICAL LEADS.....	1
7	982722001	LOGO PLATE.....	1	25	00242	CLUTCH DISK (ST185 & ST385).....	2
8	82537	SCREW (10-14 x 7/8).....	2	26	98929A	WASHER.....	1
9	984521001	ROTOR AND PAWL ASSEMBLY.....	1	27	PS05267	SPACER.....	1
10	PS05268	WASHER.....	1	28	A98773A	SPRING & CONTAINER.....	1
11	9789902	STARTER ROPE (42 in.).....	1	29	98770A	STARTER PULLEY.....	1
12	984547001	STARTER ASSEMBLY.....	1	30	82543	SCREW.....	3
13	PA01641	STARTER HOUSING AND EYELET.....	1	31	82538	SCREW.....	4
14	PS06114	ERGO GRIP.....	1	32	984289001	DECAL, 113 POWER SOUND.....	1
15	PA01613	DRUM AND CONNECTOR.....	1	33	PS06261	DECAL, ZIP START.....	1
16	PS06258	INTERLOCK TRIGGER.....	1	34	06976	DECAL, CE.....	1
17	82589	SCREW.....	9	35	PS06270	DECAL, MODEL.....	1
18	PS01124	CONTROL HANDLE / RH.....	1	36	PS06339	AIR BAFFLE PLATE.....	1
				37	PS00218	MUFFLER GUARD.....	1
				38	82541	SCREW.....	2
				39	03646	TORX WRENCH (NOT SHOWN).....	1

RYOBI CURVED SHAFT TRIMMER – MODEL NO. RY70103

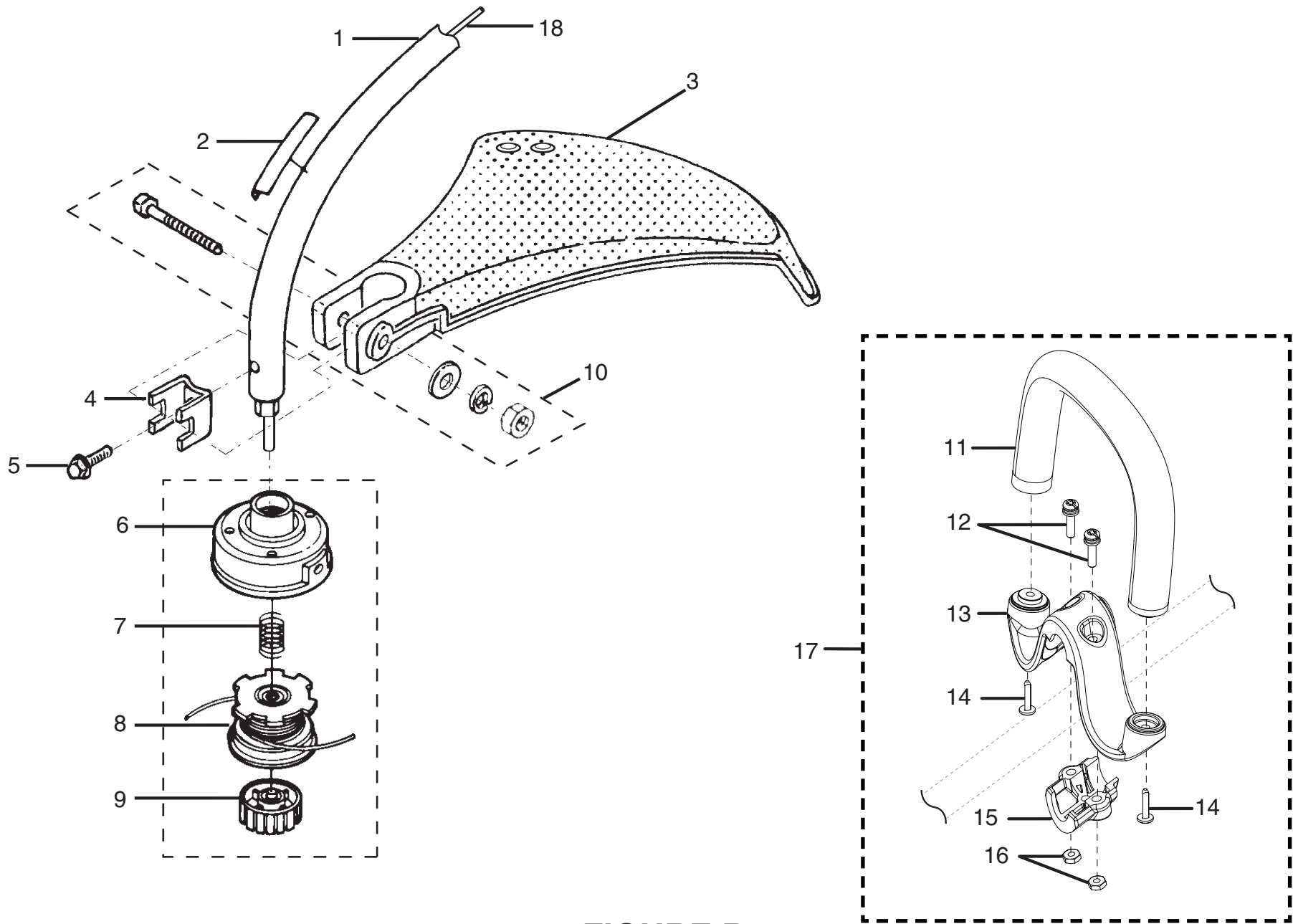


FIGURE B

RYOBI CURVED SHAFT TRIMMER – MODEL NO. RY70103

The model number will be found on a plate attached to the motor housing. Always mention the model number in all correspondence regarding your **STRING TRIMMER** or when ordering repair parts.

PARTS LIST FOR FIGURE B

KEY NO.	PART NUMBER	DESCRIPTION	QTY.
1	984551001	BOOM ASSEMBLY KIT	1
2	PS06336	BOOM DECAL (WARNING).....	1
3	PA01014	GRASS DEFLECTOR	1
4	07928	CLAMP	1
5	983823001	SCREW	1
6	A98231A	HOUSING AND EYELETS.....	1
7	06713	COMPRESSION SPRING.....	1
8	PA01347A	SPOOL W/LINE (.095 in).....	1
9	A98866A	SPOOL RETAINER (RH/THREAD).....	1
10	PA00249	FASTENER PARTS KIT	1
11	984439001	ASSIST HANDLE W/GRIP	1
12	PS04159	SCREW (12-24 x 1 SEMS).....	2
13	PS04070	M CLAMP	1
14	82620	SCREW	2
15	PS04072	CLAMP	1
16	81068	HEX NUT (12-24)	2
17	983798001	ASSIST HANDLE ASSEMBLY.....	1
18	PS01502	FLEXIBLE SHAFT	1

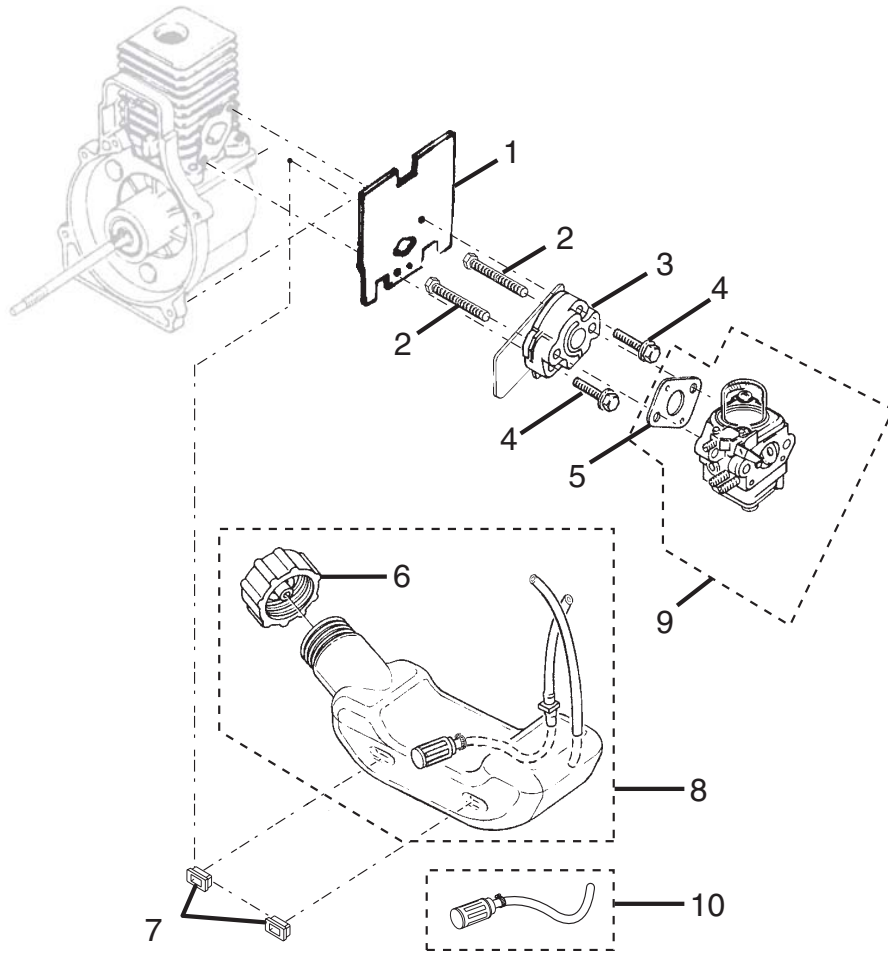


FIGURE C

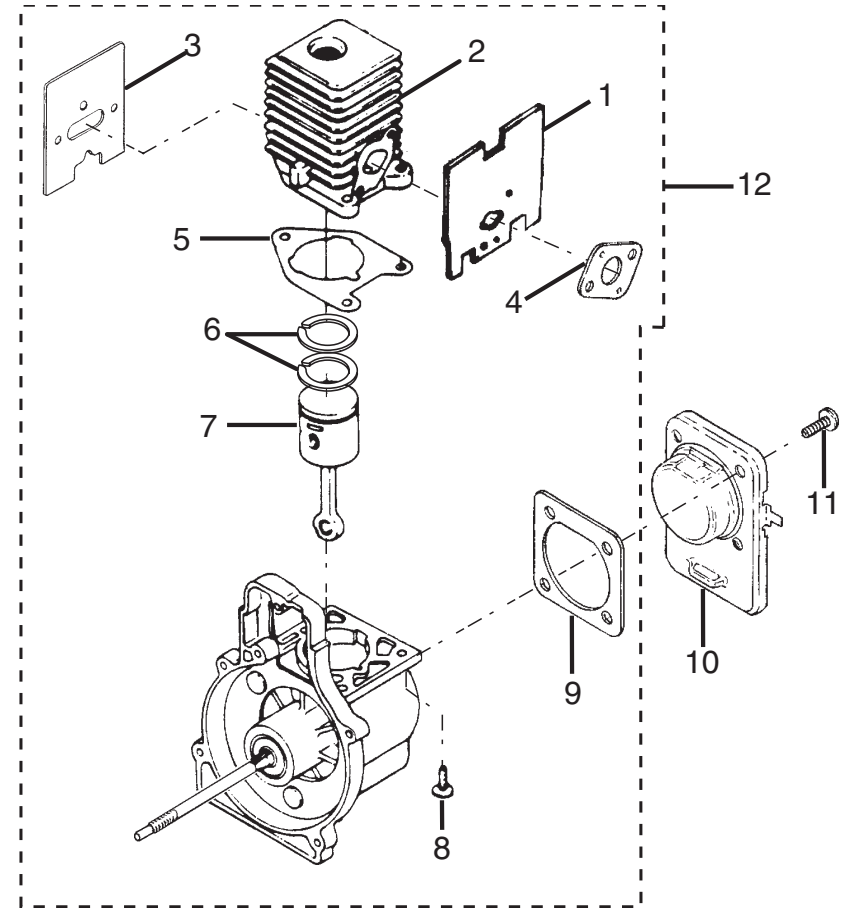


FIGURE D

RYOBI CURVED SHAFT TRIMMER – MODEL NO. RY70103

The model number will be found on a plate attached to the motor housing. Always mention the model number in all correspondence regarding your **STRING TRIMMER** or when ordering repair parts.

PARTS LIST FOR FIGURE C

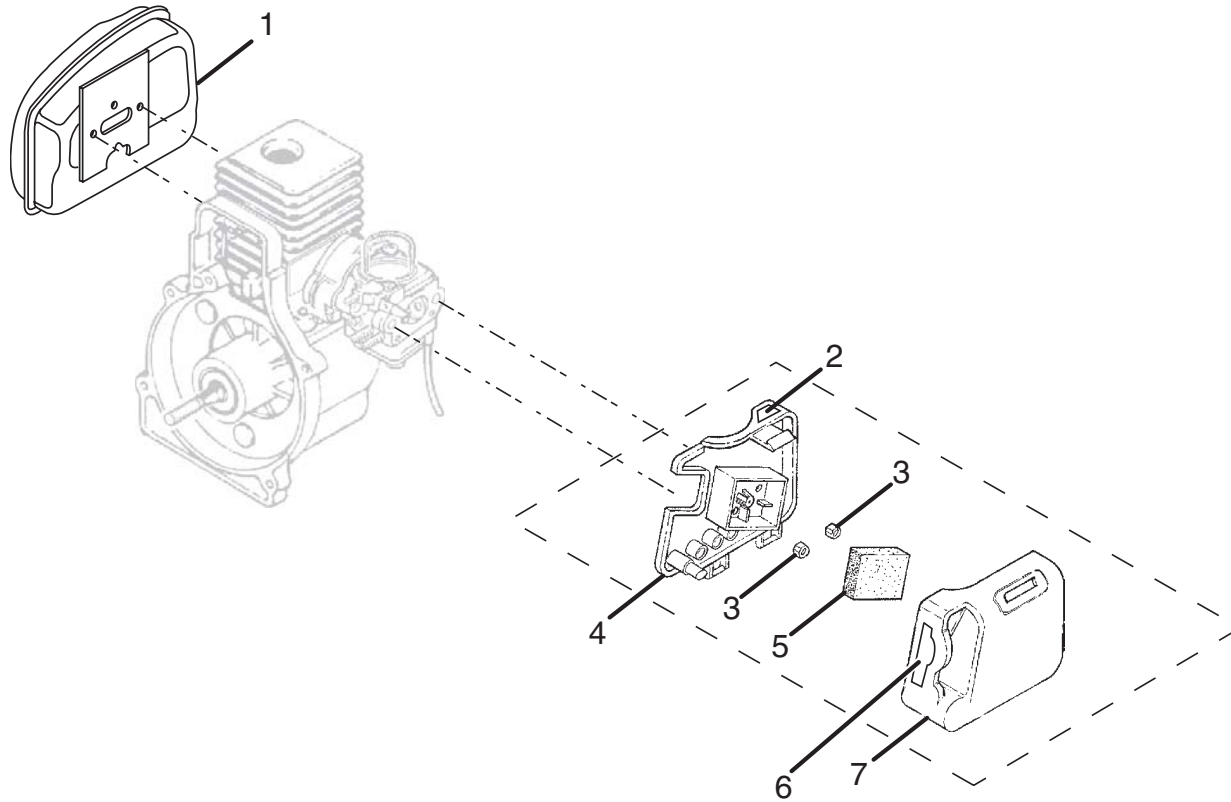
KEY NO.	PART NUMBER	DESCRIPTION	QTY.
1	06900A	HEAT DAM GASKET	1
2	04474	CARBURETOR BOLT	2
3	98768A	HEAT DAM	1
4	093221	PAN HEAD SEMS SCREW	2
5	98766A	CARBURETOR GASKET	1
6	A09115	FUEL CAP	1
7	98792	BUMPER	3
8	984550001	* FUEL TANK ASSEMBLY	1
9	984549001	CARBURETOR ASSEMBLY KIT	1
10	985077001	FUEL FILTER KIT	1
		(INCLUDED ON FUEL TANK ASSEMBLY)	

PARTS LIST FOR FIGURE D

KEY NO.	PART NUMBER	DESCRIPTION	QTY.
1	06900A	HEAT DAM GASKET	1
2	PS02128	CYLINDER	1
3	PS04000	MUFFLER GASKET	1
4	98766A	CARBURETOR GASKET	1
5	04388B	CYLINDER GASKET	1
6	PS03498	PISTON RING (1-5/16 in.)	2
7	984543001	PISTON ASSEMBLY KIT	1
8	PS02807	SCREW (12-24 x .660 PAN TORX)	3
9	06443A	GASKET COVER, C/C	1
10	PS02130	CRANKCASE COVER	1
11	PS01565	PAN HEAD SCREW	4
12	984546001	SHORT BLOCK ASSEMBLY	1

* WHEN ORDERING FUEL TANK ASSEMBLY (ITEM NUMBER 8), ALSO ORDER BUMPERS (ITEM NUMBER 7)

RYOBI CURVED SHAFT TRIMMER – MODEL NO. RY70103



PARTS LIST

KEY NO.	PART NUMBER	DESCRIPTION	QTY.
1	PA01073	MUFFLER ASSEMBLY.....	1
2	PS02788	PRIMER DECAL.....	1
3	81208	LOCK NUT (10-24).....	2
4	PS02113	BOX AIR FILTER (CONEHEAD)	1
5	98760	AIR FILTER.....	1
6	PS02523	CHOKE DECAL.....	1
7	PS02309	AIR BOX COVER.....	1
8	06502	SPARK SCREEN (NOT SHOWN)	1
	983000201	OPERATOR'S MANUAL	1
	8-03		