

Homelite®

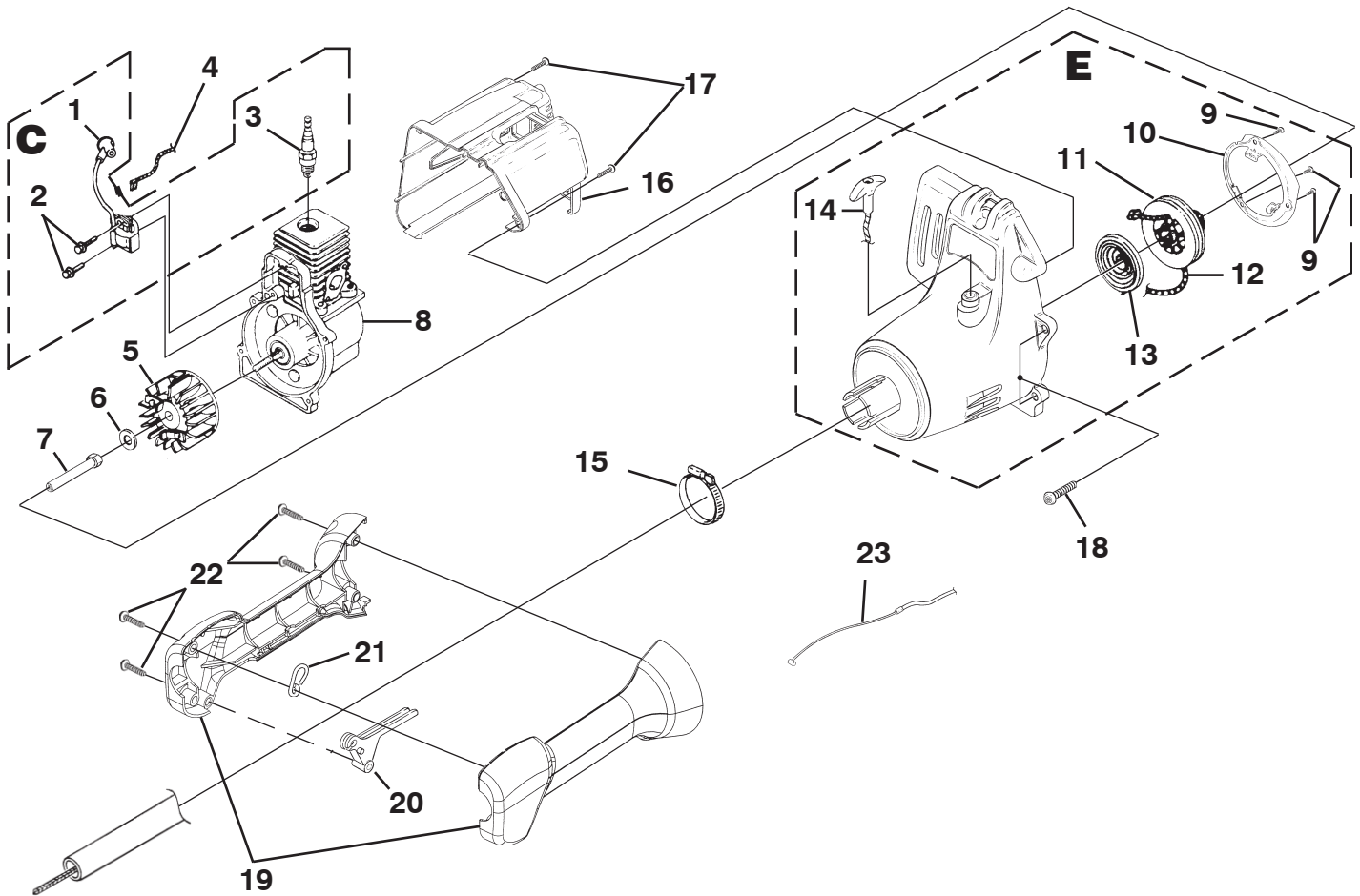
PARTS LIST

TrimLite™	UT20740,	UT20760,	UT20760A
d725cd	UT20739,	UT20761	
K100	UT20742,	UT20764	
K300	UT20743,	UT20751,	UT20783
ST155 (CKD)	UT20744		
ST2527	UT20691R,	UT20812,	UT20822
ST2537S	UT20692R,	UT20813,	UT20826

PART NO. PS 05002

IGNITION - ROTOR - STARTER

TrimLite™	(UT20740, UT20760, UT20760A)
d725cd	(UT20739, UT20761)
K100	(UT20742, UT20764)
K300	(UT20743, UT20751, UT20783)
ST155CKD	(UT20744)
ST2527	(UT20691R, UT20812, UT20822)
ST2537S	(UT20692R, UT20813, UT20726)



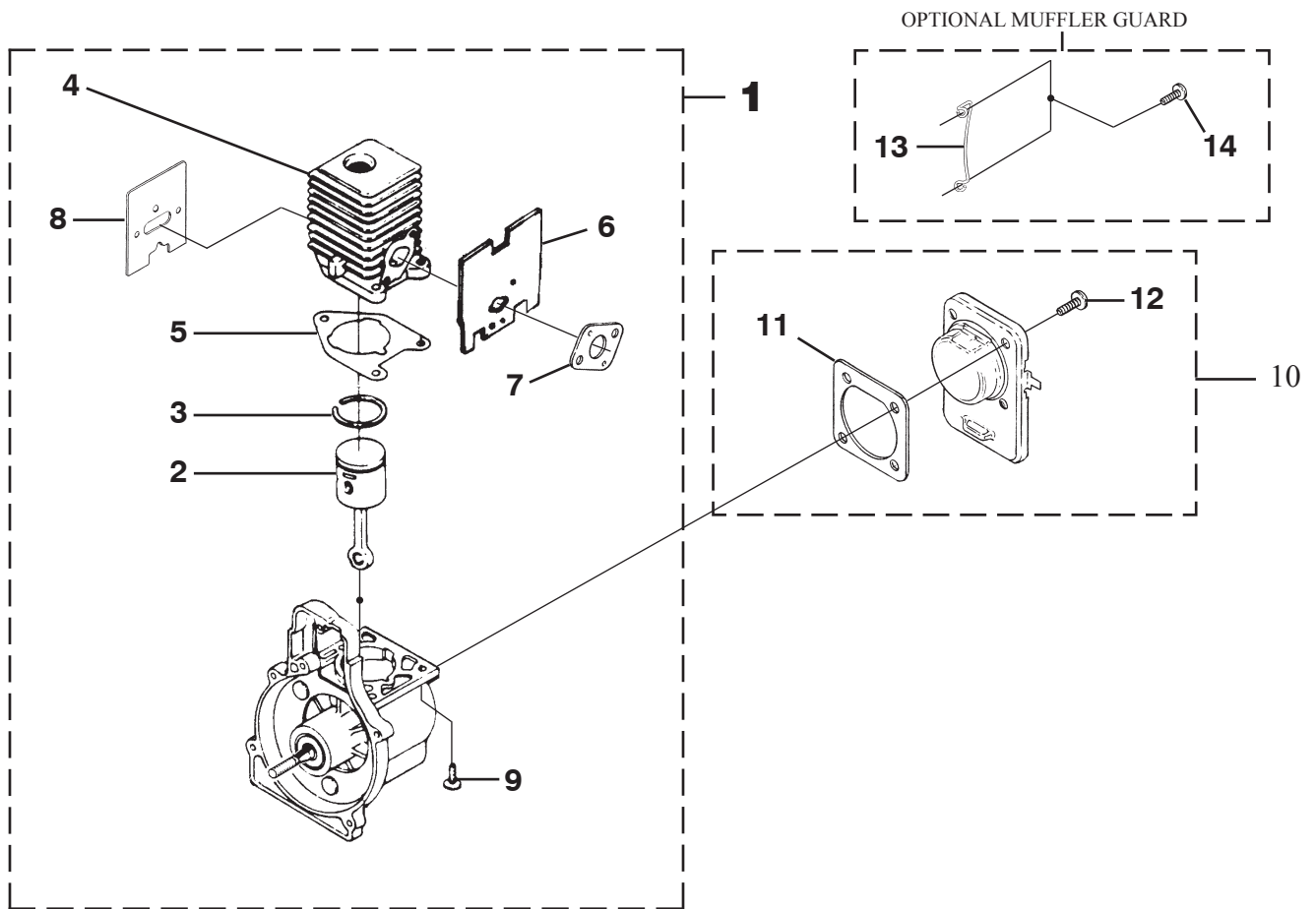
No.	Part No.	Description	Qty.
C	•UP 03858	IGNITION KIT	1
1	UP 03868	TERMINAL & COVER	1
2	82540	SCREW-Taptite (8-32 X 1")	2
3	PS 02227	SPARK PLUG	1
4	A 07238	LEAD-Electrical	1
5	984521-001	ROTOR	1
6	95479 A	WASHER-Flat	1
7	98795 A	CONNECTOR-Drive (.250)	1
8	UP 03116 A	SHORT BLOCK (See Engine Internal)	1
E	•UP 03092 A	COMPLETE STARTER ASSEMBLY	1
9	82543	SCREW-Taptite (8-16 X 1/2")	3
10	PS 00326	BAFFLE-Air	1
11	98770 A	PULLEY-Starter	1
12	9789902	ROPE-Starter (42")	1
13	A 98773 A	SPRING & CONTAINER	1
14	PS 00179	GRIP-Starter	1
15	PS 01611	CLAMP	1
16	09210	HOUSING-Rear Kit	1
17	82537	SCREW-Taptite (10-14 X 7/8")	2
18	82538	SCREW-Taptite (10-24 X 3/4")	4

No.	Part No.	Description	Qty.
19	•UP 03091 A	CONTROL HANDLE ASSY.	1
20	088331	TRIGGER-Throttle	1
21	07516	HOOK-Harness (not for 20760A)	1
22	82537	SCREW-Taptite (10-14 X 7/8")	4
23	08832 02	CABLE-Throttle	1

Torque Specs			
Item No.	In/Lbs	Nm	Required Loctite
2	30-40	3.4-4.5	Blue 242
3	120-180	13.6-20.3	
7	100-150	11.3-16.9	
9	10-20	1.1-2.3	
15	40-50	4.5-5.6	
17	30-50	3.4-5.6	
18	30-40	3.4-4.5	
22	30-50	3.4-5.6	

TrimLite™	(UT20740, UT20760, UT20760A)
d725cd	(UT20739, UT20761)
K100	(UT20742, UT20764)
K300	(UT20743, UT20751, UT20783)
ST155CKD	(UT20744)
ST2527	(UT20691R, UT20812, UT20822)
ST2537S	(UT20692R, UT20813, UT20726)

ENGINE INTERNAL

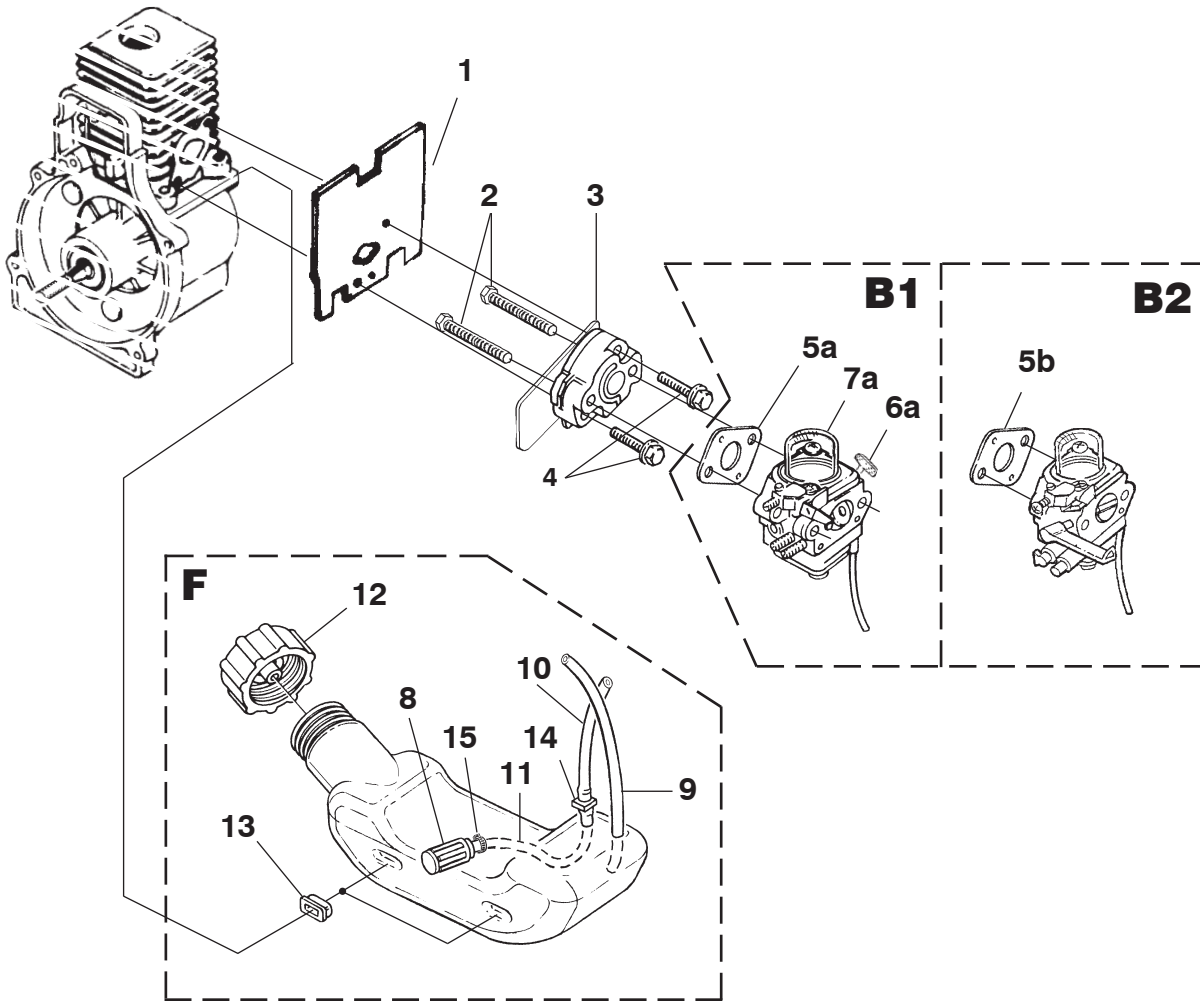


No.	Part No.	Description	Qty.
1	•UP 03116 A	SHORT BLOCK	1
2	•PA 00296	PISTON & ROD ASSY.	1
3	PS 01359	RING-Piston	1
4	PS 05699	CYLINDER ASSY.	1
5	04388 B	GASKET-Cylinder	1
6	06900 A	GASKET-Heat Dam	1
7	98766 A	GASKET-Carburetor	1
8	09343	GASKET-Muffler	1
9	PS 02807	SCREW-Sems (12-24 X 3/4")	3
10	UP 00019 A	CRANKCASE COVER ASSEMBLY	1
11	08661	GASKET-Crankcase Cover (Also included w/short block)	1
12	PS 01565	SCREW-Sems (10-24 X 1/2")	4
13	09366	MUFFLER GUARD	1
14	82541	SCREW-Thread Forming (10-14 X 1/2")	2

Item No.	Torque Specs		Required Loctite
	In/Lbs	Nm	
10	55-65	6.2-7.3	Red 262
13	35-45	4.0-5.1	Red 262
15	5-20	.6-2.3	

CARBURETOR - FUEL TANK

TrimLite™	(UT20740, UT20760, UT20760A)
d725cd	(UT20739, UT20761)
K100	(UT20742, UT20764)
K300	(UT20743, UT20751, UT20783)
ST155CKD	(UT20744)
ST2527	(UT20691R, UT20812, UT20822)
ST2537S	(UT20692R, UT20813, UT20726)



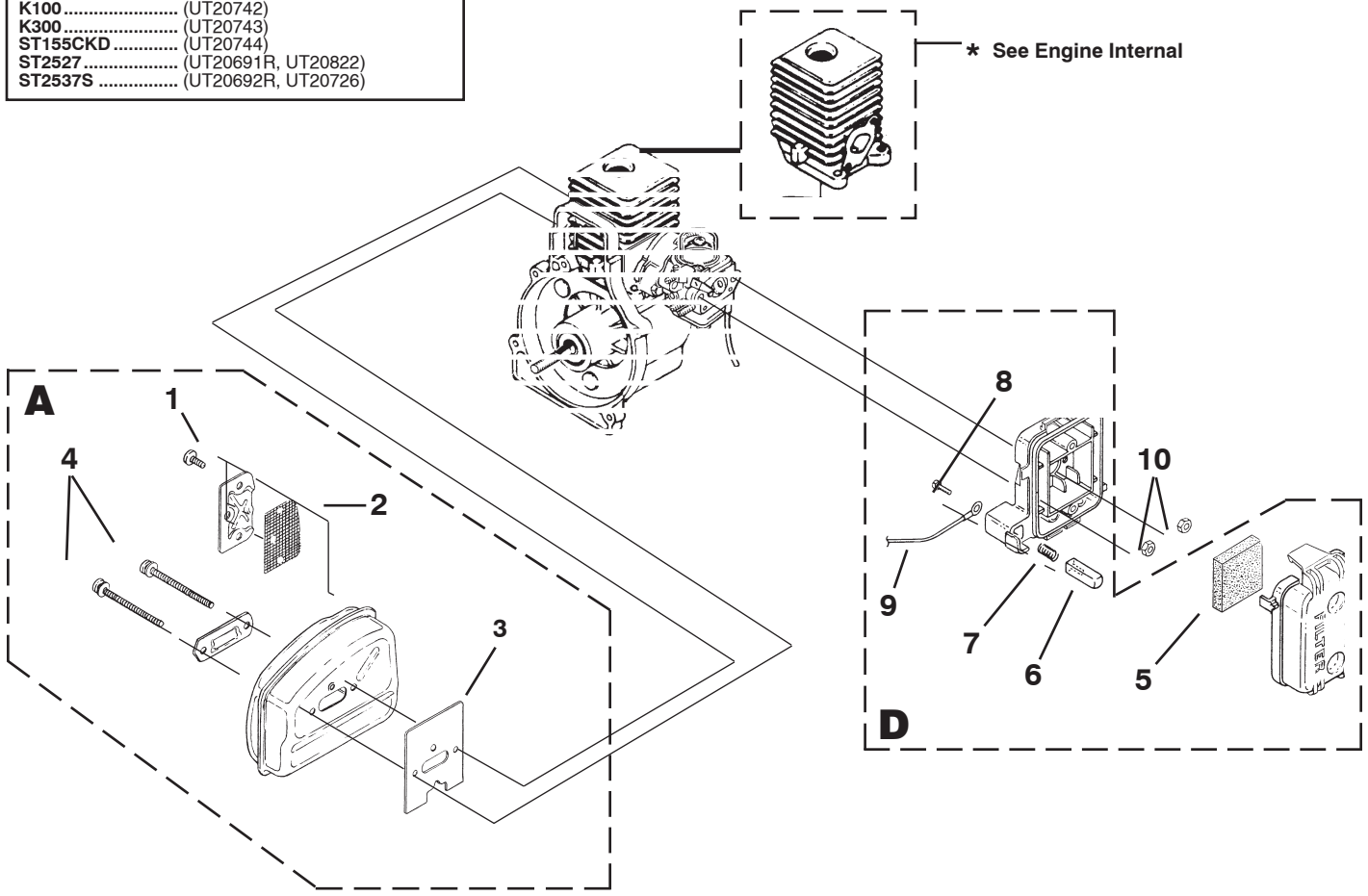
No.	Part No.	Description	Qty.
1	06900 A	GASKET-Heat Dam	1
2	04474	SCREW-Machine (10-24 X 2 1/4")	2
3	98768 A	HEAT DAM	1
4	093221	SCREW-Sems (10-24 X 1")	2
B1	•UP 00608	CARBURETOR KIT (UT20740, [UT20760 before S/N MB0850000], UT20739, UT20742, UT20743, UT20744, UT20691R, UT20822, UT20692R, UT20826)	1
5a	UP 03916	GASKET-Carburetor	1
6a	UP 04278	Lever-Choke (Zama)	1
7a	UP 04803	BULB-Primer	1
B2	•UP 04742 A	CARBURETOR KIT (UT20761 UT20764, UT20751, UT20783, UT20760, UT20760A UT20812, UT20813 after S/N MB0849999)	1
5b	98766 A	GASKET-Carburetor	1

No.	Part No.	Description	Qty.
F	•UP 00020	FUEL TANK ASSY.	1
8	PS 03380	FILTER-Fuel	1
9	0143918	TUBING-Rubber	1
10	0143910	TUBING-Rubber	1
11	9477213	TUBING-Rubber	1
12	A 09116	FUEL CAP	1
13	98792	BUMPER-Rubber	3
14	07332	FITTING-Inline	1
15	98268	CLAMP	1

Torque Specs			
Item No.	In/lbs	Nm	Required Loctite
4	35-45	4.0-5.1	Red 262

MUFFLER - AIR CLEANER

TrimLite™	(UT20740, UT20760 before S/N MB0850000)
d725cd	(UT20739)
K100	(UT20742)
K300	(UT20743)
ST155CKD	(UT20744)
ST2527	(UT20691R, UT20822)
ST2537S	(UT20692R, UT20726)

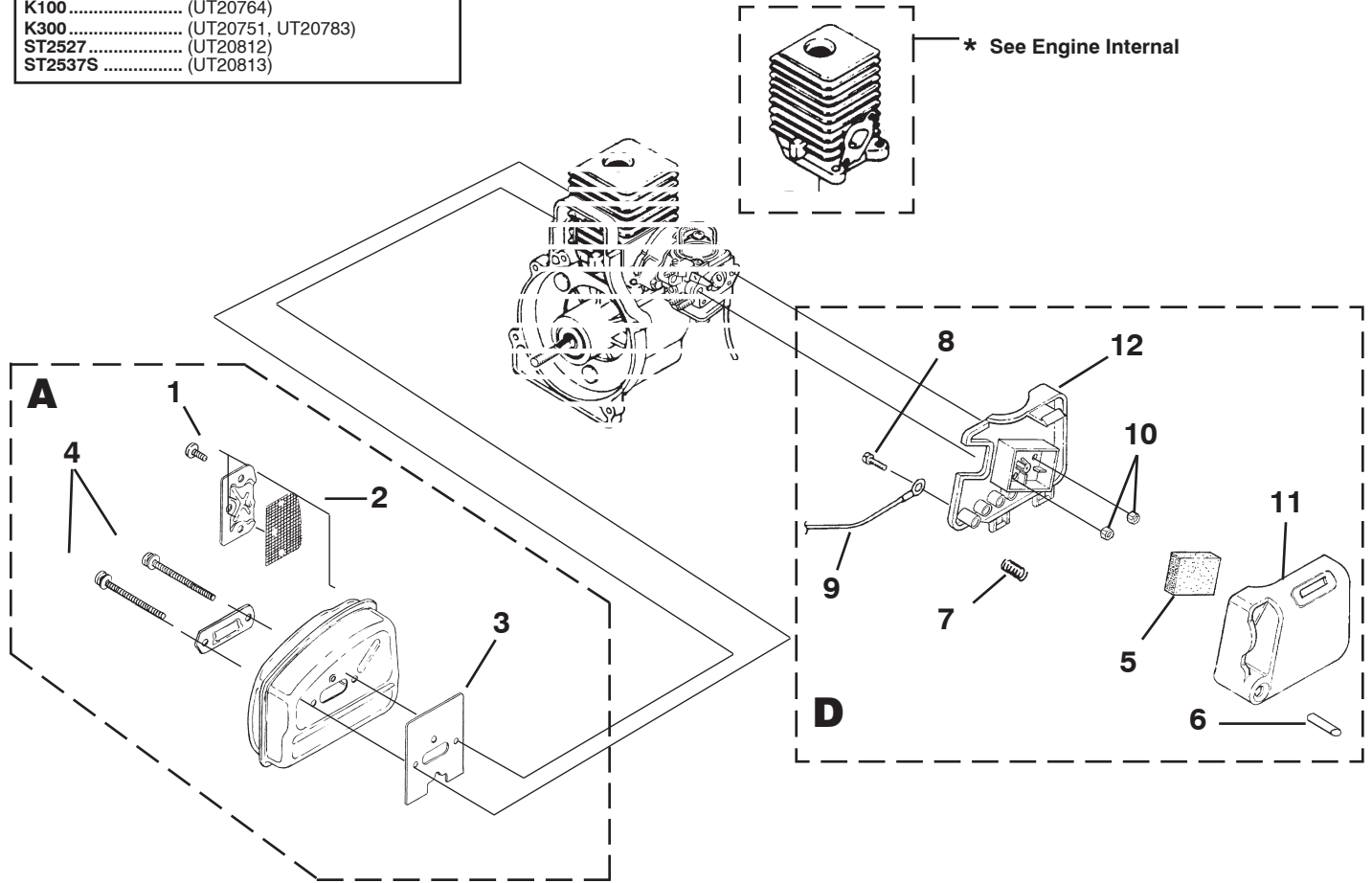


No.	Part No.	Description	Qty.
A	PA 01614	MUFFLER ASSY.	1
1	82600	SCREW, Taptite- (8-32 X 3/8")	3
2	06502	SCREEN-Spark	1
3	09343	GASKET-Muffler	1
4	88083	SCREW, Truss Hd. - (10-24 X 2.188)	2
D	A 04707 A	AIR FILTER KIT	1
5	98760	FILTER-Air	1
6	06618 A	BUTTON-Switch	1
7	95020 A	SPRING-Compression	1
8	82513	SCREW-Thread Form (6-19 x 1/2")	1
9	A 07238	LEAD-Electrical	1
10	81208	NUT-Hex (10-24)	2

Item No.	Torque Specs		Required Loctite
	In/Lbs	Nm	
1	25-35	2.8-4.0	
4	50-60	5.6-6.8	
8	5-106-1.1	
10	30-40	3.4-4.5	

TrimLite™	(UT20760 After S/N MB0849999), UT20760A)
d825cd	(UT20761)
K100	(UT20764)
K300	(UT20751, UT20783)
ST2527	(UT20812)
ST2537S	(UT20813)

MUFFLER - AIR CLEANER

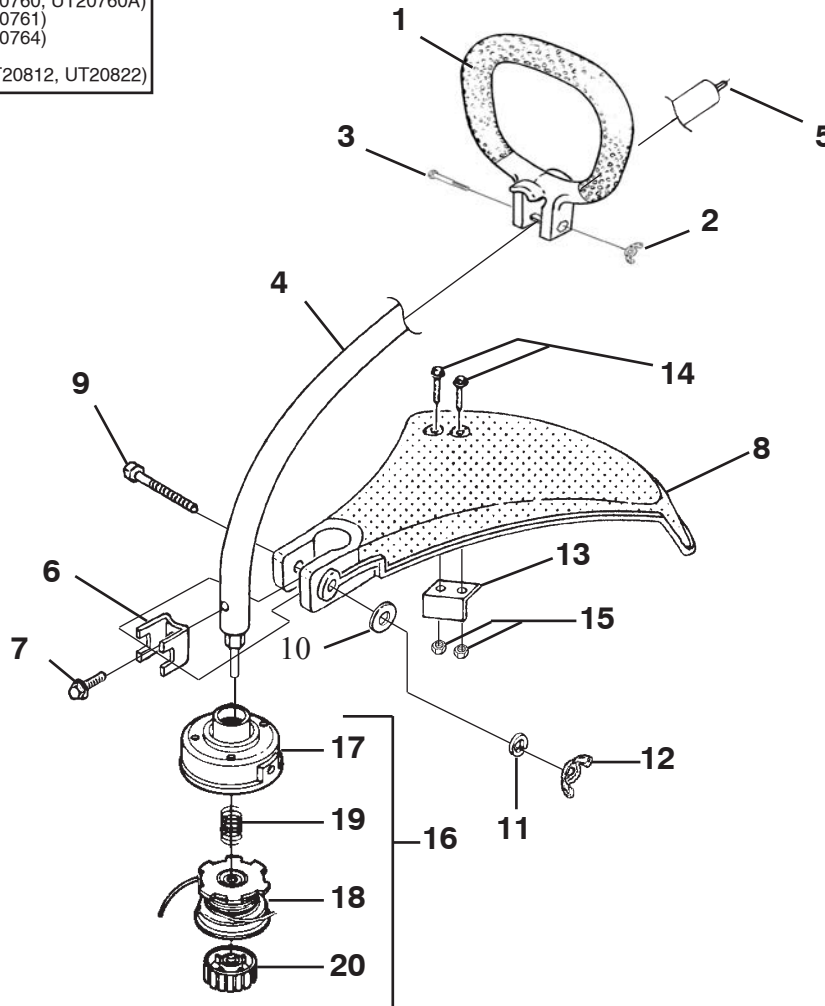


No.	Part No.	Description	Qty.
A	PA 01614	MUFFLER ASSY.	1
1	82600	SCREW, Taptite- (8-32 X 3/8")	3
2	06502	SCREEN-Spark	1
3	09343	GASKET-Muffler	1
4	88083	SCREW, Truss Hd. - (10-24 X 2.188)	2
D	UP04741 A	AIR FILTER KIT	1
5	98760	FILTER-Air	1
6	06618 A	BUTTON-Switch	1
7	95020 A	SPRING-Compression	1
8	82513	SCREW-Thread Form (6-19 x 1/2")	1
9	A 07238	LEAD-Electrical	1
10	81208	NUT-Hex (10-24)	2
11	PS02113	AIR FILTER BOX	1
12	PS02156	COVER AIR BOX	1

Item No.	Torque Specs		Required Loctite
	In/Lbs	Nm	
1	25-35	2.8-4.0	
4	50-60	5.6-6.8	
8	5-10	.6-1.1	
10	30-40	3.4-4.5	

SHAFT - SPOOL & STRING - GRASS DEFLECTOR

TrimLite™	(UT20740, UT20760, UT20760A)
d725cd	(UT20739, UT20761)
K100	(UT20742, UT20764)
ST155CKD	(UT20744)
ST2527	(UT20691R, UT20812, UT20822)



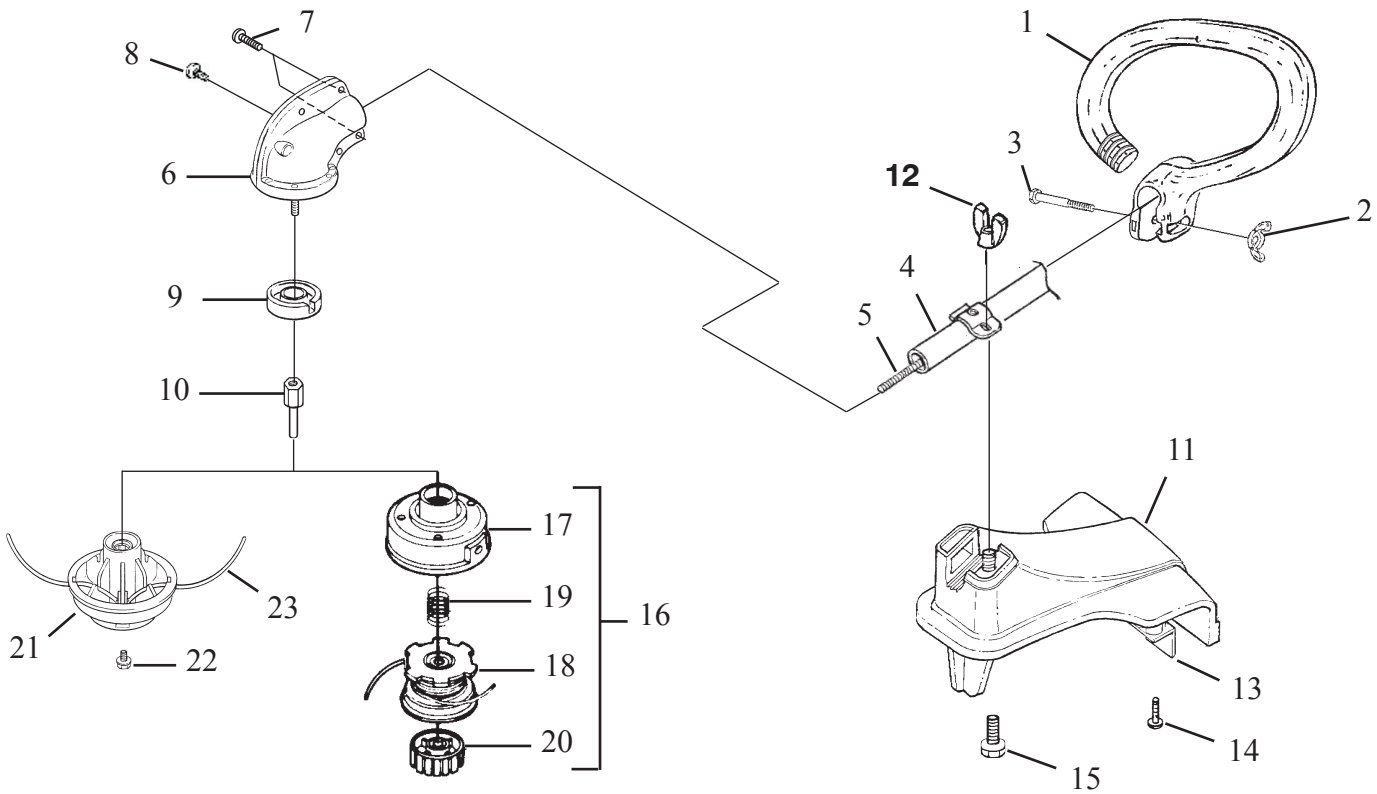
No.	Part No.	Description	Qty.
1	• UP 03010 A	HANDLE ASSY.-Front	1
2	93992	NUT-Wing, Washer Faced (1/4-20)	1
3	80295	SCREW-Cap Hex Hd.	1
4	PA 00472 A	DRIVESHAFT HOUSING ASSY.	1
5	PS 01502	SHAFT-Flexible	1
6	07928	CLAMP	1
7	983823-001	SCREW-Sems Hex Hd. (#10-24 X 3/8")	1
8	• UP 06710 A	DEFLECTOR & BLADE KIT (55 Deg.)	1
9	80295	SCREW-Cap Hex Hd. (1/4-20 X 2")	1
10	84006	WASHER-Flat (1/4")	1
11	83009	WASHER-Lock (1/4")	1
12	93992	NUT-Wing, Washer Faced (1/4-20)	1
13	UP 04119	BLADE-Cut-Off	1
14	82531	SCREW-Mech. Hex Hd. (10-24 X 7/8")	2
15	81208	NUT-Hex (10-24)	2
16	• UP 04408	STRINGHEAD-Complete	1
17	A 98231 A	HOUSING & EYELET (Dual Line)	1
18	PA 0387 A	SPOOL & STRING (.080" Line)	1
19	06713	SPRING-Compression	1
20	A 98866 A	RETAINER-Spool (R.H. Thread, Black)	1

Item No.	Torque Specs		Required Loctite
	In/Lbs	Nm	
2	5-256-2.8	
7	15-25	1.7-2.8	
12	5-256-2.8	
15	30-40	3.4-4.5	

3/18/2005

SHAFT - SPOOL & STRING - GRASS DEFLECTOR

K300 (UT20743, UT20751, UT20783)
 ST2537S (UT20692R, UT20813, UT20726)



No.	Part No.	Description	Qty.
1	•UP 06959 A	HANDLE-Anti-Vibe	1
2	93992	NUT-Wing, Washer Faced (1/4-20)	1
3	80295	SCREW-Cap Hex Hd. (1/4-20 x 2")	1
4	PA 00983 A	DRIVESHAFT HOUSING ASSY.	1
5	98818	SHAFT-Flexible	1
6	•UP 06970 A	GEARHEAD	1
7	82597	Screw, Truss Hd. (10-24 x 1/2")	2
8	PS 01605	Screw, Truss Hd. (10-24 x 5/8")	1
9	04168 A	WASHER-Flanged	1
10	04355	ADAPTER-Shaft	1
11	•UP 04888 A	GRASS DEFLECTOR KIT	1
12	PS 02453	WING NUT	1
13	07129	BLADE-Cut-off	1
14	82546	SCREW-Mach.Hex Hd. (10-24 X 3/8")	2
15	PS 02435	SCREW-Square Head	1
16	UP 04408	STRINGHEAD-Complete (.080" Line)	1
17	A 98231 A	HOUSING & EYELET (Dual Line)	1
18	PA 0387 A	SPOOL & STRING (.080" Line)	1
19	06713	SPRING-Compression	1
20	A 98866 A	RETAINER-Spool (R.H. Thread, Black)	1
21	•DA 09364	STRINGHEAD-Pro-Cut w/line (UT20743)	1
22	PS 00082	SCREW (5/16-18 x 5/8")	1
23	D 09365	LINE-Replacement	1

Item No.	Torque Specs		Required Loctite
	In/Lbs	Nm	
2	Hand Tight		
7	15-20	1.7-2.3	
8	40-50	4.5-5.6	
10	100-120	11.3-13.6	
12	Hand Tight		
14	30-40	3.4-4.5	
22	40-60	4.6-6.8	

For Parts Call 606-678-9623 or 606-561-4983

NOTES

ACCESSORIES

GREASE, MULTI-PURPOSE.....	18453	STRINGHEAD-Complete - E-Z Line™	DA 03001 A (.080 Line) (Right Hand Thread) (Black Retainer)
MODULE AIR GAP SHIM.....	PS 24306	REPLACEMENT STRING - E-Z Line™ (3 lb. Box).....	98011 06 (.080" Dia.)
GRASS ANTI-WRAP KIT.....	A 04191	STRINGHEAD-Complete-Pro-Cut™ Fixed Line Head	DA 09364 (.105" Dia.)
STARTER ROPE (250 Ft. Reel).....	98052 A	REPLACEMENT DuraLine™ (.105" Dia.)	D 09365 (Cartridges for Pro-Cut™ Fixed Line Head)
TORX BIT (T25)..... (For Clutch Drums)	UP 06544	SAFETY GOGGLES.....	A 06933
TORX BIT (T27).....	UP 07160	DUST MASK.....	UP 03036
IGNITION TEST SPARK PLUG	JA 31316 4	COMFORT STRAP.....	UP 00108
RUBBER TUBING (10 Ft.)	UP 05860		

For product information, technical help, dealer locations or parts ordering information visit our website at: www.homelite.com.

HOMELITE CONSUMER PRODUCTS, INC.

1428 Pearman Dairy Road Anderson, SC 29625

Post Office Box 1207, Anderson, SC 29622

Phone 1-800-chainsa (1-800-242-4672)

www.homelite.com