

The Green Machine[®]

A product of HMC, Long Beach, Ca. 90810

Old Model

PARTS CATALOG

MODEL 3000 AND 3100

SERIAL NO. 201446 & PRIOR

© HMC 1981

G2A

The logo for HMC (The Green Machine Company) features the letters 'HMC' in a bold, stylized, blocky font. The letters are white with a thick black outline, and they are set against a dark, irregular background that resembles a shadow or a splash.

200422

703

20710 ALAMEDA ST., LONG BEACH, CALIFORNIA 90810 • (213) 603-9888 • TELEX 696396

GM 101 R 8/81

www.mymowerparts.com

GREEN MACHINE TROUBLE SHOOTING CHART

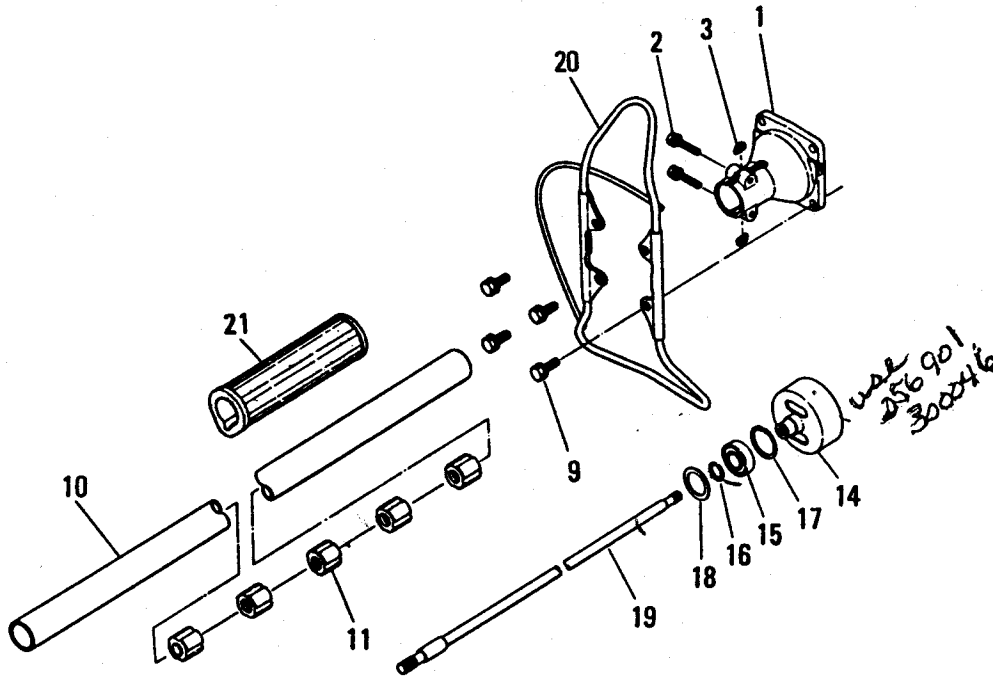
<u>TROUBLE</u>	<u>POSSIBLE CAUSE</u>	<u>CORRECTION</u>
<u>FAILURE OF ENGINE TO START</u>		
<u>No Spark</u> 1. Failure located on the spark plug side	<ol style="list-style-type: none"> 1. The electrode of spark plug is wet 2. Carbon deposit sticks to the electrode of spark plug 3. Undersize or oversize gap of the electrodes of spark plug 4. Burning of the electrode of spark plug 	<ol style="list-style-type: none"> 1. Dry it 2. Clean it 3. Adjust the gap to 0.5 0.6 mm 4. Replace spark plug
2. Failure located on magneto side	<ol style="list-style-type: none"> 1. Poor adjustment of the breaker point 2. The breaker point is dirty 3. Breakage of insulating material of plug wire 4. Short-circuiting of the main body of contact breaker 5. Loose joint of the main body of contact breaker 6. Condenser failure 	<ol style="list-style-type: none"> 1. Adjust properly the ignition timing 2. Clean the point 3. Replace or repair the plug wire 4. Replace or repair contact breaker 5. Tighten properly 6. Replace condenser
<u>Has Spark</u>		
1. Proper compression and sufficient fuel	<ol style="list-style-type: none"> 1. Engine flooded 2. Use of improper fuel 3. Poor adjustment of ignition timing 	<ol style="list-style-type: none"> 1. Clean plug and air filter 2. Replace with proper fuel: 20:1 mixture 3. Adjust properly the ignition timing
2. Sufficient supply of fuel but compression is poor	<ol style="list-style-type: none"> 1. Heavy wear of cylinder, piston and piston ring 	<ol style="list-style-type: none"> 1. Replace all worn parts
3. No supply of fuel to the carburetor	<ol style="list-style-type: none"> 1. Fuel tank is empty 2. Loose fuel hose fitting or loose carburetor 3. Fuel is available in the tank, however, fuel does not reach the carburetor 	<ol style="list-style-type: none"> 1. Refill the fuel tank 2. Tighten fuel lines or carburetor 3. Tighten gas cap or repair fuel pump
<u>POWER IS NOT SUFFICIENT</u>		
1. Compression of engine is normal and there is no misfiring	<ol style="list-style-type: none"> 1. Air leakage through the pipe fitting, etc. 2. Air leakage through the carburetor mounting joint 3. Water is mixed in fuel 4. The muffler is plugged with carbon 5. The diaphragm of carburetor is found inoperative 	<ol style="list-style-type: none"> 1. Tighten the fitting securely 2. Replace the gasket or tighten the joint 3. Replace with proper fuel 4. Clean the muffler or replace it 5. Replace the diaphragm or carburetor
2. Overheating is observed	<ol style="list-style-type: none"> 1. Excessively lean fuel mixture 2. The ignition timing is retarded 3. The fan cover, cylinder cooling cover, etc. are stuffed with dirt 	<ol style="list-style-type: none"> 1. Adjust and clean carburetor 2. Adjust the ignition timing 3. Clean and remove dirt
3. Knocking noise is heard	<ol style="list-style-type: none"> 1. Irregular ignition timing 2. Use of improper fuel 3. The combustion is covered with carbon deposits 	<ol style="list-style-type: none"> 1. Adjust the ignition timing 2. Replace with proper fuel: 20:1 mixture 3. Clean the combustion chamber
4. Miscellaneous	<ol style="list-style-type: none"> 1. Loading and plugging of air cleaner 2. Excessively high load 3. Throttle lever does not operate in full 60° arc 4. Cord is too long 5. Four cords used instead of two 	<ol style="list-style-type: none"> 1. Wash the air cleaner with mixture of fuel and oil 2. Reduce the load 3. Adjust throttle cable at carburetor top 4. Cut cord to 6" max. 5. Cut two opposite cords to 1" length
<u>ENGINE STOPS WHILE IN OPERATION</u>		
1. Engine stops abruptly	<ol style="list-style-type: none"> 1. Spark plug failure 2. The piston shows score surface with indication of seizure 3. Failure of proper functioning of magneto 	<ol style="list-style-type: none"> 1. Replace spark plug 2. Dress cylinder and piston and replace seized piston ring 3. Disassemble magneto and replace nec. parts
<u>ENGINE WILL NOT STOP WHEN TURNED OFF</u>		
	<ol style="list-style-type: none"> 1. The extreme end portion of ignition plug is red-heated 2. Rubber at the extreme end of carburetor knob is worn 	<ol style="list-style-type: none"> 1. Clean or replace spark plug and adjust the gap to 0.5 0.6 mm 2. Replace worn part
<u>SHAFT VIBRATES</u>		
	<ol style="list-style-type: none"> 1. Cord is not in balance - both cords not of same length 2. Cord is worn down 3. Nylon cord head is bent 4. Saw or Brush blade not centered on Holder A 5. Grease or oil has gotten into clutch assembly (clutch housing) 6. Lower gear case is out of grease 	<ol style="list-style-type: none"> 1. Equalize cord length at 6" 2. Same as #1 3. Replace arbor post, part #203398 4. Re-center blade on holders 5. Clean clutch shoes and drum 6. Grease gear case - 30 operating hours

<u>INDEX</u>	<u>PAGE</u>
CLUTCH HOUSING	1
GEAR CASE	2
HANDLE	3
CYLINDER	4
CRANKCASE	5
COVER	6
PISTON AND CRANK SHAFT	7
CLUTCH	8
MAGNETO	9
RECOIL STARTER	10
CARBURETOR, AIR CLEANER AND FUEL PUMB	11 & 12
FUEL TANK	13
SERVICE TANK	14
TOOLS AND PARTS	15
SPECIAL SERVICE TOOLS	16
6" COMMERCIAL HEAD	17
5" UNIVERSAL HEAD	18
FIXED LINE HEAD & GREENLINE	19
ROTARY HEAD-TWO SPOOL	20
TROUBLE SHOOT CHART	INSIDE FRONT COVER

REMARKS CODE

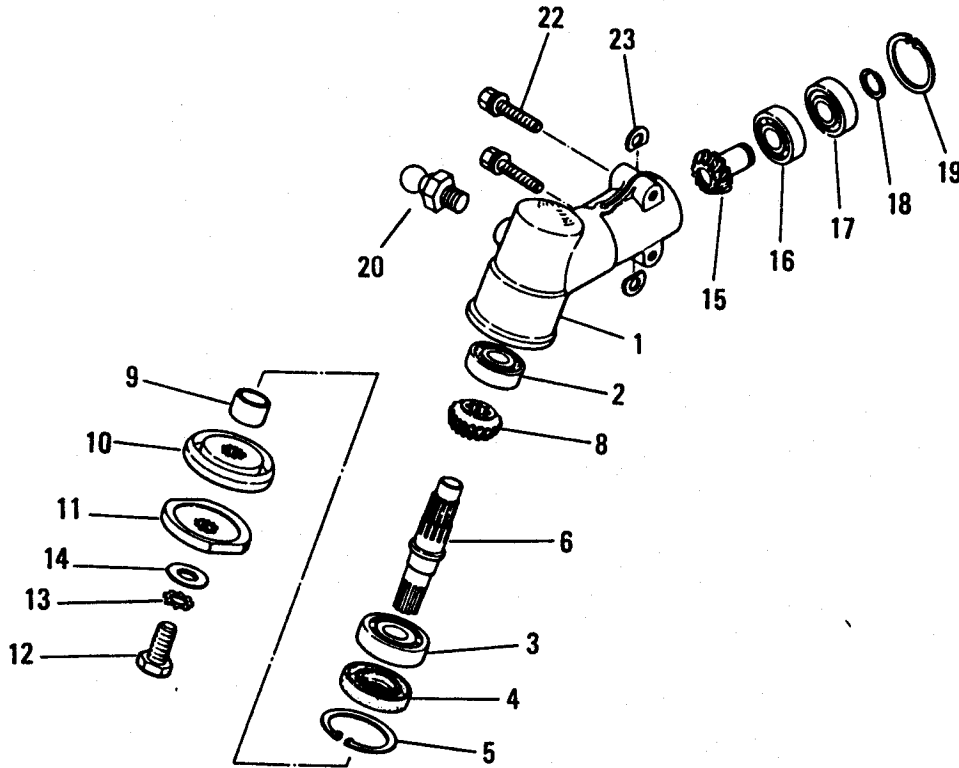
- * - Part not replaced individually - is part of number shown.
- K - Component part of Service Kit See Page 17.
- OP - Optional part not on standard model.
- R - Part is replaced by new part number shown.
- # - Part is new to all units after serial number shown.
- ~# - Part used on all units prior to serial number shown.

CLUTCH HOUSING - Figure 1



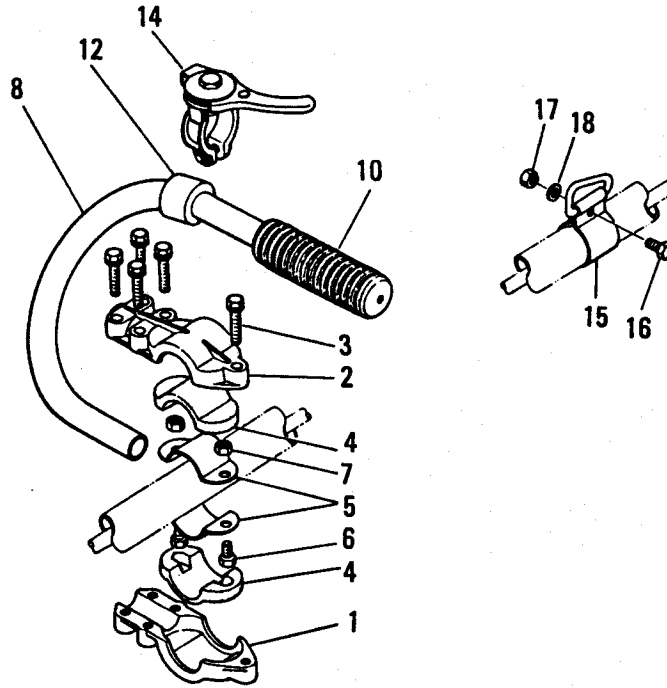
Ref. No.	New Part No.	Description	Qty	Old Part No.	Remarks
*	300000	Housing Assy			
1-1	300005	Housing	1	3180-11110	
2	030008	Bolt	2	0224-50525	
3	300010	Shim	2	3180-11120	
20	300015	Stand	1	3180-11212	
9	030005	Bolt	4	0224-50620	
*	300020	Pipe Comp	1	3180-11303	incl. 10, 11 & 12
10	*	Pipe	1	3180-11310	* 300020
11	300030	Bushing	5	3180-11320	
21	300035	Grip	1	3183-11330	
14	300040	Drum, Clutch	1	3180-12110	
15	070002	Bearing	1	06004-06001	
16	060004	Ring	1	3130-13270	
17	060005	Ring	1	04065-02812	
18	300155	Plate, Thrust	1	3180-12120	
19	300045	Shaft	1	3180-12210	60 1/2" long.
20	300291	Stand	1	3180-11212	

GEAR CASE - Figure 2



Ref. No.	New Part No.	Description	Qty	Old Part No.	Remarks
2-1	300050	Gearcase Assy	1	3180-13000	
	300095	Gearcase	1	3180-13110	
2	070004	Bearing	1	06004-06000	
3	070005	Bearing	1	06000-06201	
4	080003	Seal	1	3180-13141	
5	060006	Ring	1	04065-03212	
6	300055	Shaft, Gear	1	3180-13211	
8	*	Gear, Bevel	1	3180-13220	* 309770
9	300065	Collar	1	3180-13231	
10	300070	Holder (A)	1	3180-13240	
11	300075	Holder (B)	1	3180-13251	
12	300080	Bolt	1	3180-13261	
13	040007	Washer	1	3180-13270	
14	040008	Washer	1	3180-32180	
15	*	Pinion, Bevel	1	3180-13311	* 309770
16	070006	Bearing	1	06000-06000	
17	070007	Bearing	1	06002-06000	
18	060007	Ring	1	3180-13330	
19	060005	Ring	1	3180-13340	
20	203500	Grease Fitting	1	3199-13350	For Gearcase without HMC Lettering
22	030008	Bolt	2	0224-50525	
23	300010	Shim	2	3180-11120	

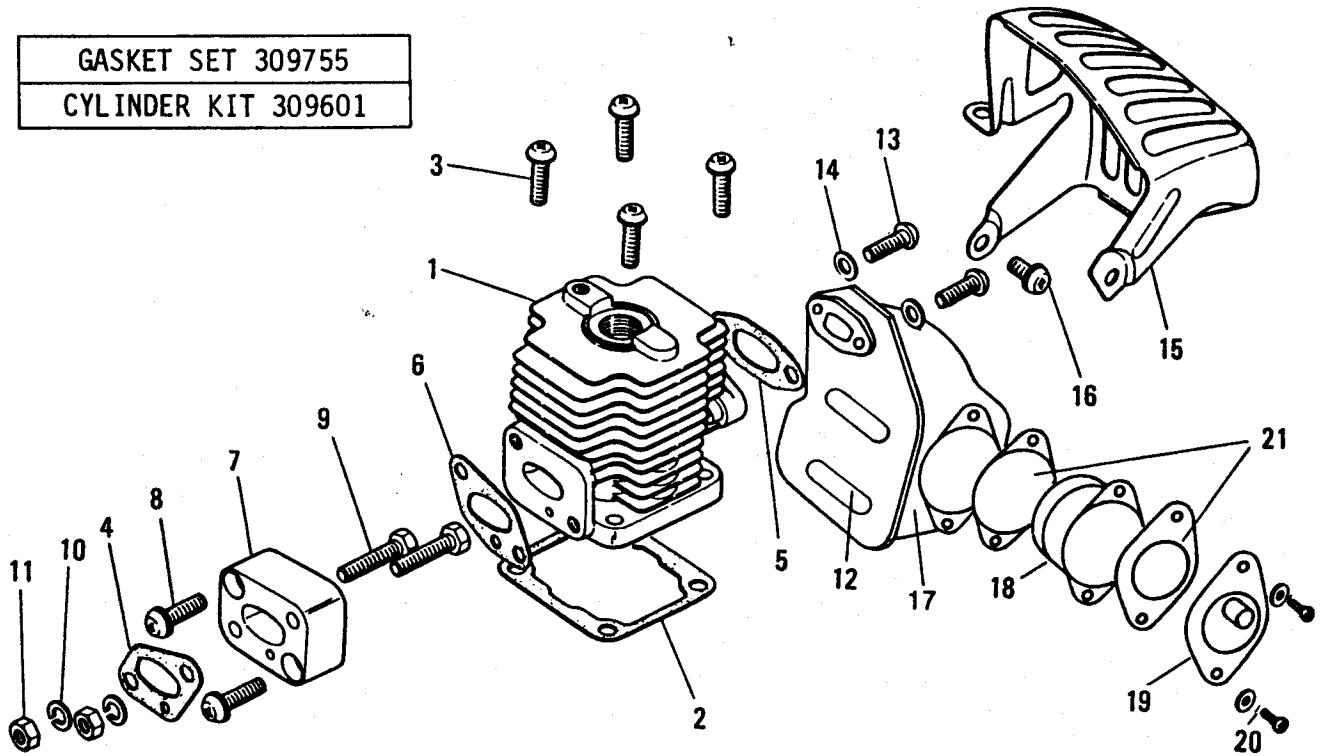
HANDLE - Figure 3



Ref. No.	New Part No.	Description	Qty	Old Part No.	Remarks
*	300306	Bracket Assy	1	3180-14600	
3-1	300110	Bracket, Lower	1	3180-14610	
2	300115	Bracket, Upper	1	3180-14620	
3	030008	Bolt	5	0224-50525	
4	300120	Absorber	2	3180-14630	
5	300125	Clamp	2	3180-14640	
6	030009	Bolt	2	0224-00510	
7	050003	Nut	2	0280-10504	
*	300132	Handle Comp	1	3180-14205	
8	*	Handle	1	3180-14210	*300130
10	300140	Grip	1	3183-14220	
12	309785	Collar	1	3180-14320	
14	300307	Lever	1	1553-82200	
15	300150	Hanger	1	3180-17110	
16	010002	Screw	1	0224-00510	
17	050003	Nut	1	0280-10504	
18	040009	Washer	1	01601-20513	

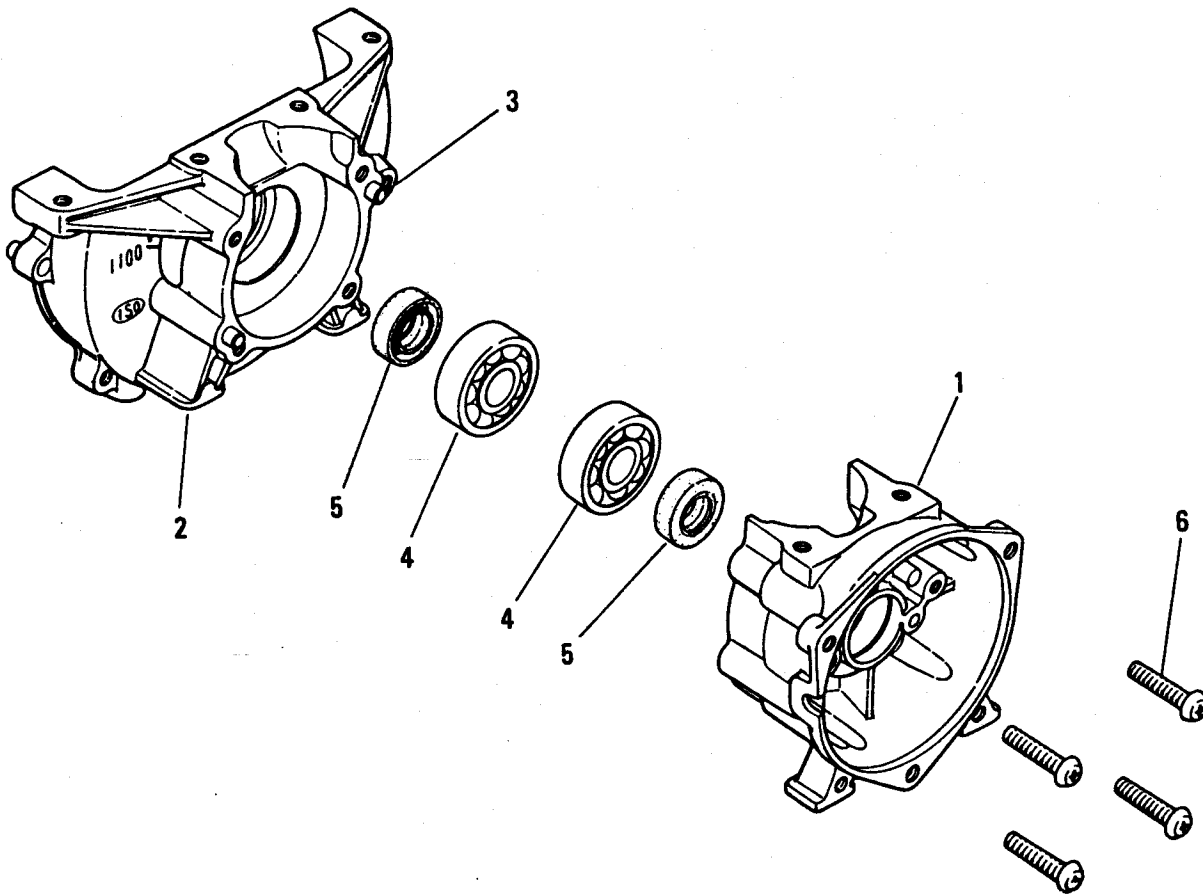
CYLINDER - Figure 4

GASKET SET 309755
CYLINDER KIT 309601



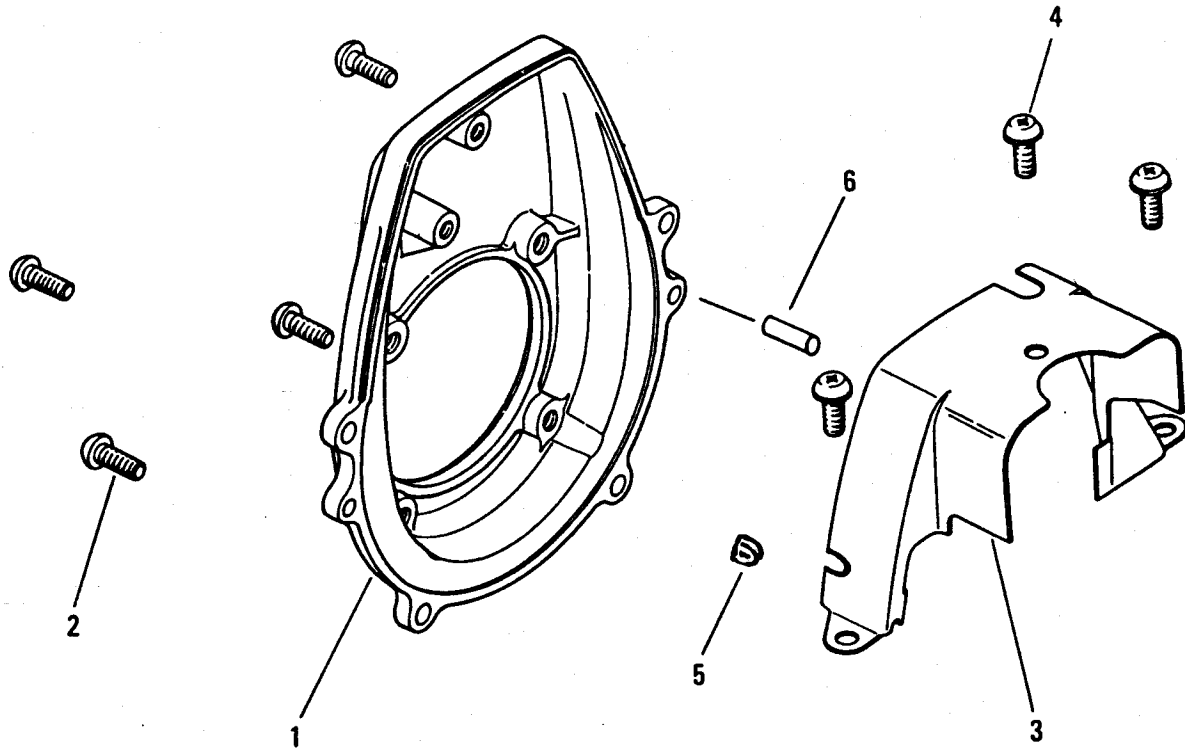
Ref. No.	New Part No.	Description	Qty	Old Part No.	Remarks	
4-1	309601	Cylinder	1	1100-12110	incl. 1,2,4,6 and 7	
2	300298	Gasket	1	1100-13120		
3	010020	Screw	4	0260-10520		
4	300293	Gasket	1	1101-13130		
5	300297	Gasket	1	1100-13140		
6	300296	Gasket	1	1101-13150		
7	309606	Insulator	1	1101-13160		
8	010021	Screw	2	0260-30520	incl. 12 and 17 thru 21	
9	030018	Bolt	2	0224-00525		
10	040009	Washer	2	01601-20513		
11	050003	Nut	2	0280-10504		
12	309401	Muffler Ass'y. Comp.	1	1109-98000		
13	010016	Screw	2	0260-00516		
14	309665	Gasket	2	1100-15131		
15	309404	Guard	1	1100-15211		
16	010017	Screw	1	0260-20510		
17	*	Muffler Body	1	1109-98110		* 309401
18	309609	Arrestor Screen	1	1109-98120		
19	309403	Cover	1	1109-98130		
20	010022	Screw	2	0260-20405		
21	309611	Gasket	2	1109-98140		

CRANK CASE - Figure 5



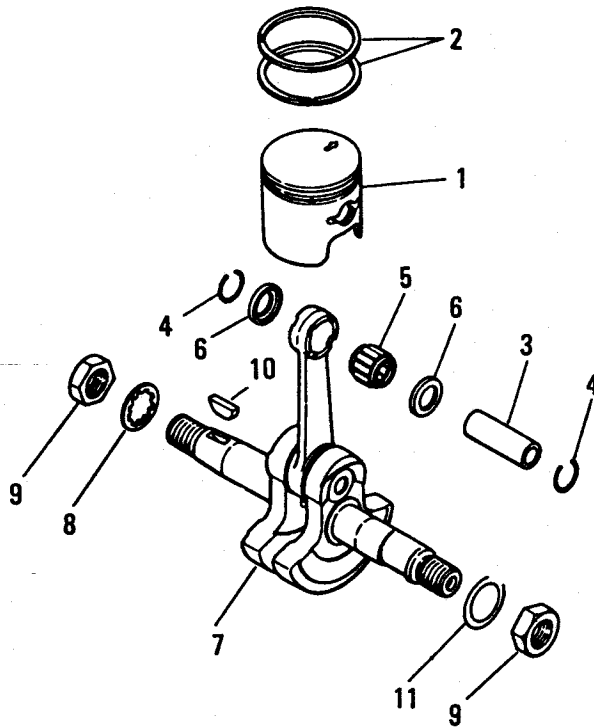
Ref. No.	New Part No.	Description	Qty	Old Part No.	Remarks
5-1	309614	Crankcase Comp.	1	1100-21101	incl. 1 thru 6
	*	Case (S)	1	1100-21110	* 309614
2	*	Case (F)	1	1100-21121	* 309614
3	309615	Dowel	4	1101-21140	
4	070005	Bearing	2	06000-06201	
5	080006	Seal	2	1100-21210	
6	010005	Screw	4	0260-00525	

COVER - Figure 6



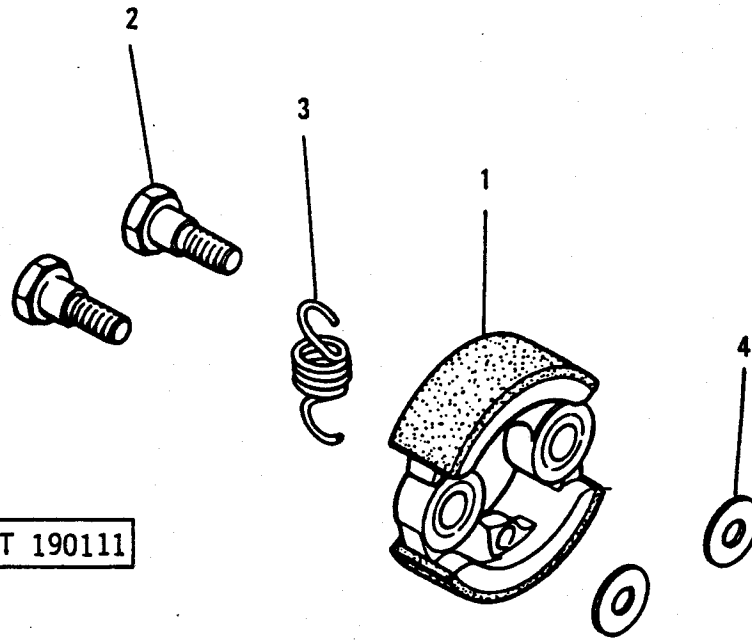
Ref No.	New Part No.	Description	Qty	Old Part No.	Remarks
6-1	309616	Cover	1	1100-31110	
2	010016	Screw	3	0260-00514	
3	309465	Cover	1	1101-31211	
4	010017	Screw	3	0260-20510	
5	309618	Grommet	1	1104-72120	
6	309947	Dowel	2	0571-05120	

PISTON AND CRANKSHAFT - Figure 7



Ref. No.	New Part No.	Description	Qty	Old Part No.	Remarks
7-1	309619	Piston	1	1101-41110	
2	309620	Ring	2	1100-41210	
3	309621	Pin	1	1101-41310	
4	060012	Ring	2	1101-41320	
5	070014	Bearing	1	1101-41331	
6	040019	Washer	2	1101-41340	
7	309622	Crankshaft Comp.	1	1101-42000	
8	040022	Washer	1	1100-43221	
9	050002	Nut	1	1100-43231	
10	309623	Key	1	1000-43240	
11	309624	Shim	0/1	1100-43250	

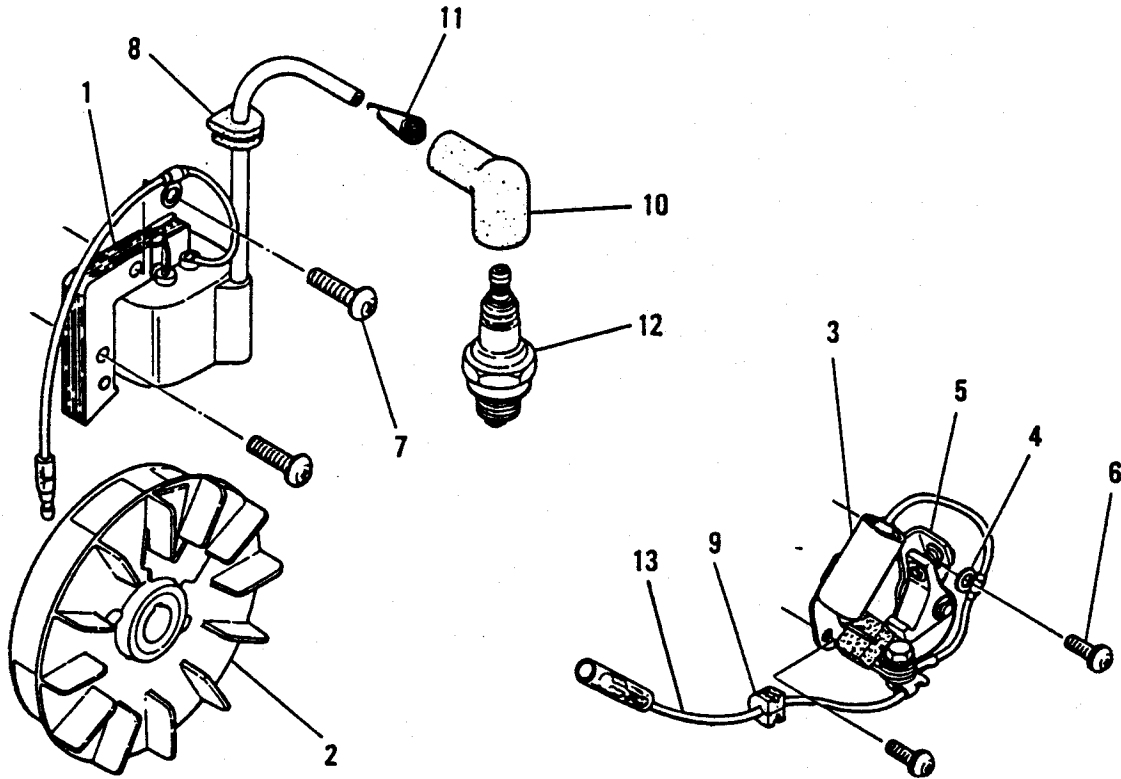
CLUTCH - Figure 8



CLUTCH SHOE KIT 190111

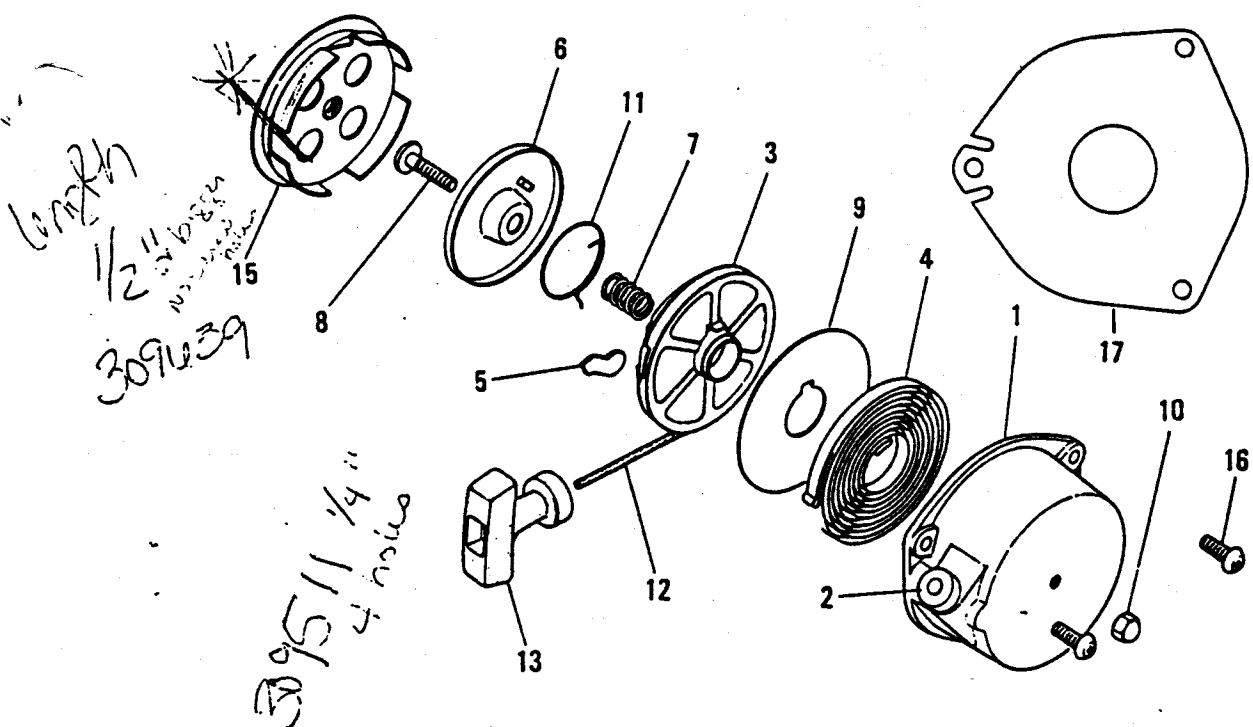
Ref. No.	New Part No.	Description	Qty	Old Part No.	Remarks
8-1	190025	Shoe	2	1100-51110	
2	030014	Screw	2	1100-51210	
3	190026	Spring	1	1122-51220	
4	040010	Washer	2	1101-51231	

MAGNETO - Figure 9



Ref. No.	New Part No.	Description	Qty	Old Part No.	Remarks
9-1	309760	Magneto Ass'y	1	1101-71000	incl. 1 thru 5
	309633	Coil	1	1100-71101	
2	309625	Rotor	1	1100-71201	
3	309635	Condenser	1	1100-71300	
4		Support	1	1100-71350	Not Available
5	309636	Breaker	1	1101-71400	
6	010029	Screw	2	0260-30410	
7	010020	Screw	2	1100-72310	
8	190032	Grommet	1	1100-72110	
9	190033	Grommet	1	1100-72120	
10	190110	Cap	1	1100-72211	
11	190035	Spring	1	1500-71420	
12	190036	Spark Plug	1	1110-73000	NGK BM-6A
13	309946	Cord	1	1120-71600	

RECOIL STARTER - Figure 10

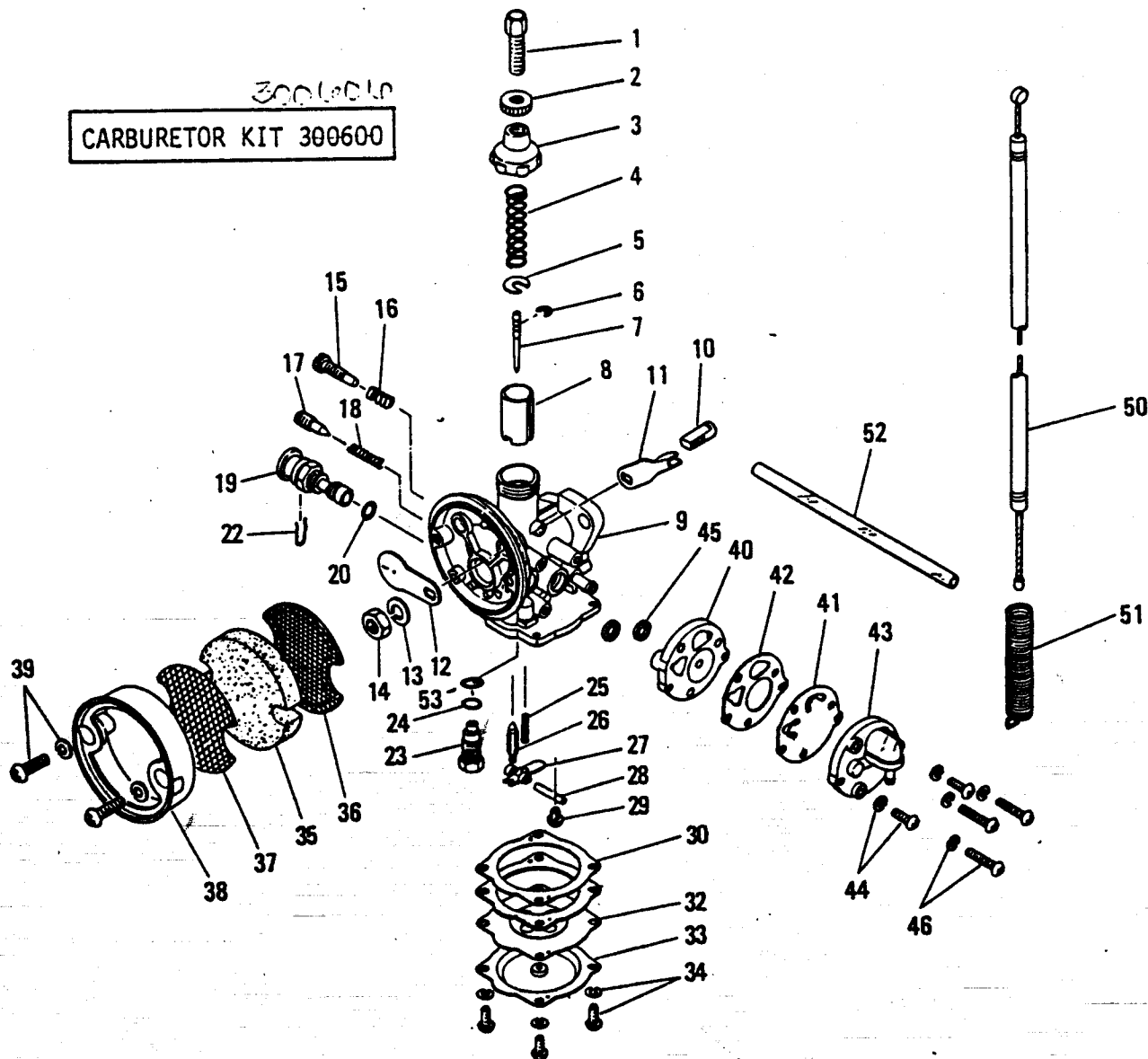


Ref. No.	New Part No.	Description	Qty	Old Part No.	Remarks
10-1	*	Starter Ass'y.	1	1100-75001	*Use 309847 Steel Starter. 309639 Starter Cup may be required. #2 469309 per Cliff 6/13/89 #185793 ~
	309500	Case	1	1100-75110	
2	309501	Guide	1	1100-75120	
3	309502	Reel	1	1100-75210	
4	300290	Spring	1	1100-75220	
5	309503	Ratchet	1	1100-75230	
6	309504	Plate	1	1100-75240	
7	309506	Spring	1	1100-75250	
8	010036	Screw	1	1100-75260	
9	309507	Plate	1	1100-75270	
10	050006	Nut	1	1100-75280	
11	309508	Spring	1	1100-75290	
	309509	Rope Ass'y	1	1100-75300	
12	309510	Rope	1	1100-75310	
13	309855	Knob	1	1100-75322	
15	309511	Pulley.	1	1100-75411	
16	010016	Screw	3	0260-00514	
17	309640	Gasket	1	1101-75150	

309511

309639

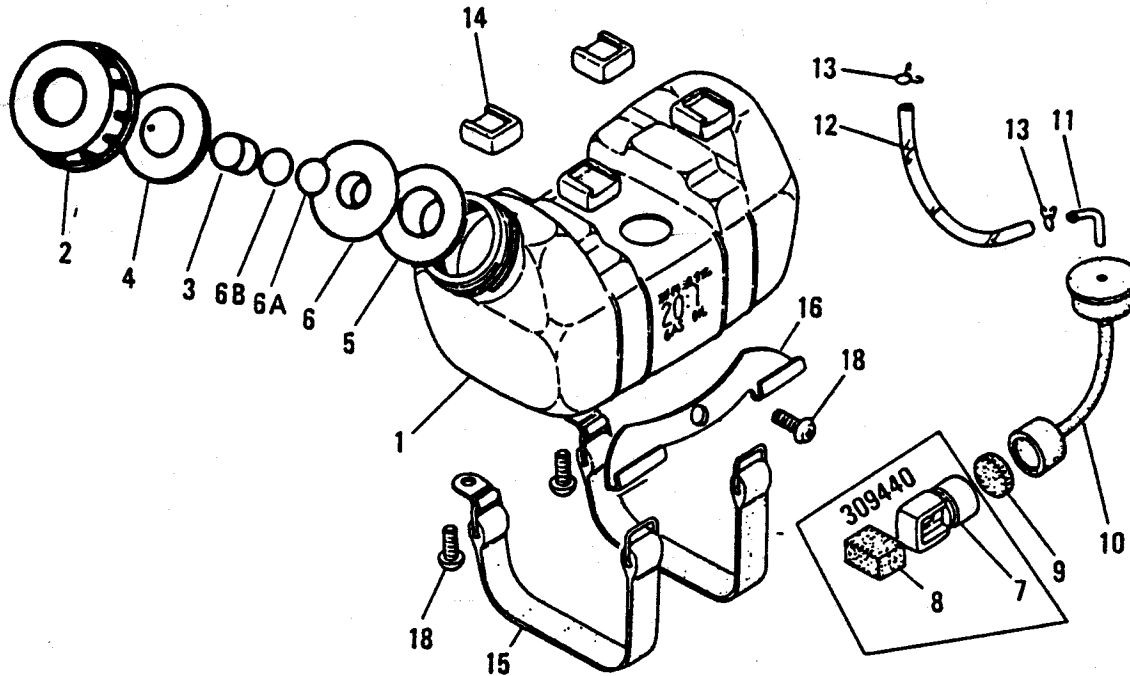
CARBURETOR - Figure 11



CARBURETOR - Figure 11 (Cont'd.)

Ref. No.	New Part No.	Description	Qty	Old Part No.	Remarks
11-1	309860	Carburetor Ass'y.	1	1101-81000	Incl. 1 thru 34
2	309861	Adjuster	1	1101-81170	
3	309862	Nut	1	1101-81180	
4	309863	Cap	1	1101-81110	
5	309864	Spring	1	1100-81120	
6	309865	Receive	1	1100-81130	
7	309627	Clip	1	1100-81190	
8	309866	Jet Needle	1	1101-81140	
9	309867	Valve	1	1100-81151	
10	*	Body	1	1101-81212	* 309860
11	309868	Bolt	1	1100-81220	
12	309869	Lever	1	1100-81230	
13	309870	Plate	1	1100-81240	
14	040021	Washer	1	1100-81250	
15	050005	Nut	1	1100-81260	
16	309871	Screw	1	1100-81310	
17	309872	Spring	1	1100-81360	
18	309873	Screw	1	1100-81330	
19	309874	Spring	1	1100-81340	
20	309875	Knob	1	1101-81351	
22	309628	O Ring	1	1101-81360	
23	309629	Clip	1	1101-81380	
24	309876	Needle Jet Ass'y.	1	1101-81410	
25	309631	O Ring	1	1101-81940	
26	309475	Spring	1	1101-81430	K 300600
27	309877	Valve	1	1100-81440	K 300600
28	309878	Hinge	1	1100-81450	K 300600
29	309879	Pin	1	1100-81461	
30	010025	Screw	1	0260-00306	
32	300299	Packing	1	1101-81470	K 300600
33	309881	Diaphragm Comp.	1	1100-81480	K 300600
34	309882	Cover	1	1101-81491	
	010015	Screw	4	0260-10308	
	309408	Cleaner Ass'y.	1	1100-81500	Incl. 35 thru 39
35	309409	Filter	1	1100-81510	
36	309410	Net (A)	1	1100-81520	
37	309411	Net (B)	1	1100-81530	
38	309412	Case	1	1100-81540	
39	010026	Screw	2	0260-10414	
	309883	Fuel Pump Ass'y.	1	1100-81701	Incl. 40 thru 46
40	309884	Base	1	1100-81710	
41	309885	Diaphragm	1	1100-81720	K 300600
42	309886	Packing	1	1100-81730	K 300600
43	309887	Cover Comp.	1	1100-81740	
44	010015	Screw	2	0260-10308	
45	309888	Packing	2	1100-81930	K 300600
46	010028	Screw	2	0260-10316	
50	300308	Cable Comp.	1	1100-83100	
51	190107	Spring	1	1100-83210	
52	309897	Pipe	1	1101-86180	
53	309945	O Ring	1	1130-81420	K 300600

FUEL TANK - Figure 12



Ref. No.	New Part No.	Description	Qty	Old Part No.	Remarks
12-1	309420	Fuel Tank Ass'y.	1	1100-85000	
	*	Tank	1	1100-85110	* 309420
	309430	Cap Comp	1	1109-85200	
2	*	Cap	1	1100-85210	* 309430
3	*	Filter	1	1100-85220	* 309435
4	*	Valve	1	1100-85230	* 309435
5	<u>309435</u>	Inner Cap Comp.	1	1109-05010	
6	*	Vent	1	3310-85260	* 309435
6A	*	Retainer	1	3310-85240	* 309435
6B	*	Plate	1	3310-85270	* 309435
7	309907	Weight	1	1100-85310	
8	309908	Filter (A)	1	1100-85320	
9	309652	Filter (B)	1	1100-85331	
10	309445	Pipe	1	1100-85410	
11	309450	Pipe	1	1100-85420	
12	309455	Pipe	1	1100-86110	
13	309460	Clip	2	1100-86120	
14	300292	Support	4	1110-86130	
15	309655	Band	2	1100-86141	
16	309656	Bracket	1	1101-86160	# 186793 ~
18	010016	Screw	1	0260-00514	# 186793 ~

Fig. & Ref. No.	New Part No.	Description	Qty	Old Part No.	Remarks
	309770	GEAR SET	1	3180-97110	
	Includes:				
2 - 8	*	Gear, bevel	1	3180-13220	* 309770
- 15	*	Pinion, bevel	1	3180-13311	* 309770
	309601	CYLINDER SET	1	1100-97213	
	Includes:				
4 - 1	*	Cylinder	1	1100-12110	* 309601
- 2	300298	Gasket	1	1100-13120	
- 4	300293	Gasket	1	1101-13130	
- 5	300297	Gasket	1	1100-13140	
- 6	300296	Gasket	1	1101-13150	
- 7	309606	Insulator	1	1101-13160	
- 14	309665	Gasket	2	1100-15131	
	309614	CRANKCASE SET	1	1100-97223	
	Includes:				
5 - 1	*	Case (S)	1	1100-21110	* 309614
- 2	*	Case (F)	1	1100-21121	* 309614
- 3	309615	Dowel	4	0571-05120	
- 4	070005	Bearing	2	06000-06201	
- 5	080006	Seal	2	1100-21210	
- 6	010005	Screw	4	0260-00525	
	300600	CARBURETOR KIT	1	1100-00081	
	Includes:				
11 - 53	309945	O Ring	1	1130-81420	
- 25	309745	Spring	1	1101-81430	
- 26	309877	Valve	1	1100-81440	
- 27	309878	Hinge	1	1100-81450	
- 28	309879	Pin	1	1100-81461	
- 30	300299	Packing	1	1101-81470	
- 32	309881	Diaphragm Comp.	1	1100-81480	
- 41	309885	Diaphragm	1	1100-81720	
- 42	309886	Packing	1	1100-81730	
- 45	309888	Packing	1	1100-81930	
	309755	ENGINE GASKET SET	1	1101-13000	
	Includes:				
4 - 2	300298	Gasket	1	1100-13120	
- 4	300293	Gasket	1	1101-13130	
- 5	300297	Gasket	1	1100-13140	
- 6	300296	Gasket	1	1101-13150	
- 7	309606	Insulator	1	1101-13160	
10 - 17	309640	Gasket	1	1101-75150	