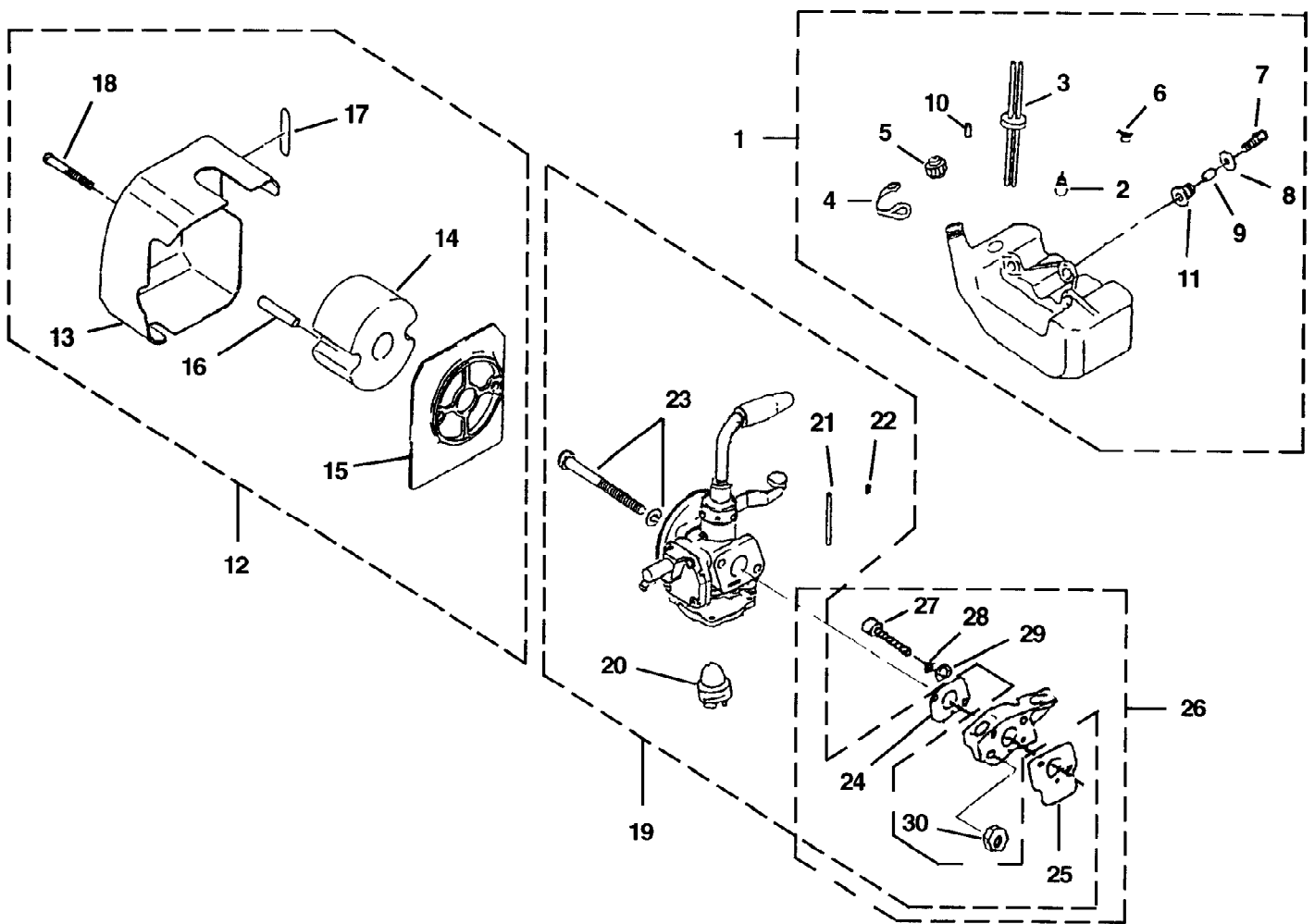


GT50B Trimmer/Brushcutter UT-26049
Accessories

Page 2 of 16

| Ref # | Part Number | Qty | S/P/F | Description |
|-------|-------------|-----|-------|------------------|
| 1 | PS03318 | 1 | | TOOL KIT |
| 2 | PS03319 | 1 | | STRAP |
| 3 | PS00998 | 1 | | BLADE COVER |
| 4 | PS03161 | 1 | | BLADE, CUTTER |
| 5 | UP05463 | 1 | | STRING HEAD ASSY |
| 6 | UP05465 | 1 | S/P | SPOOL & STRING |

GT50B Trimmer/Brushcutter UT-26049
Air Filter - Carburetor - Heat Dam

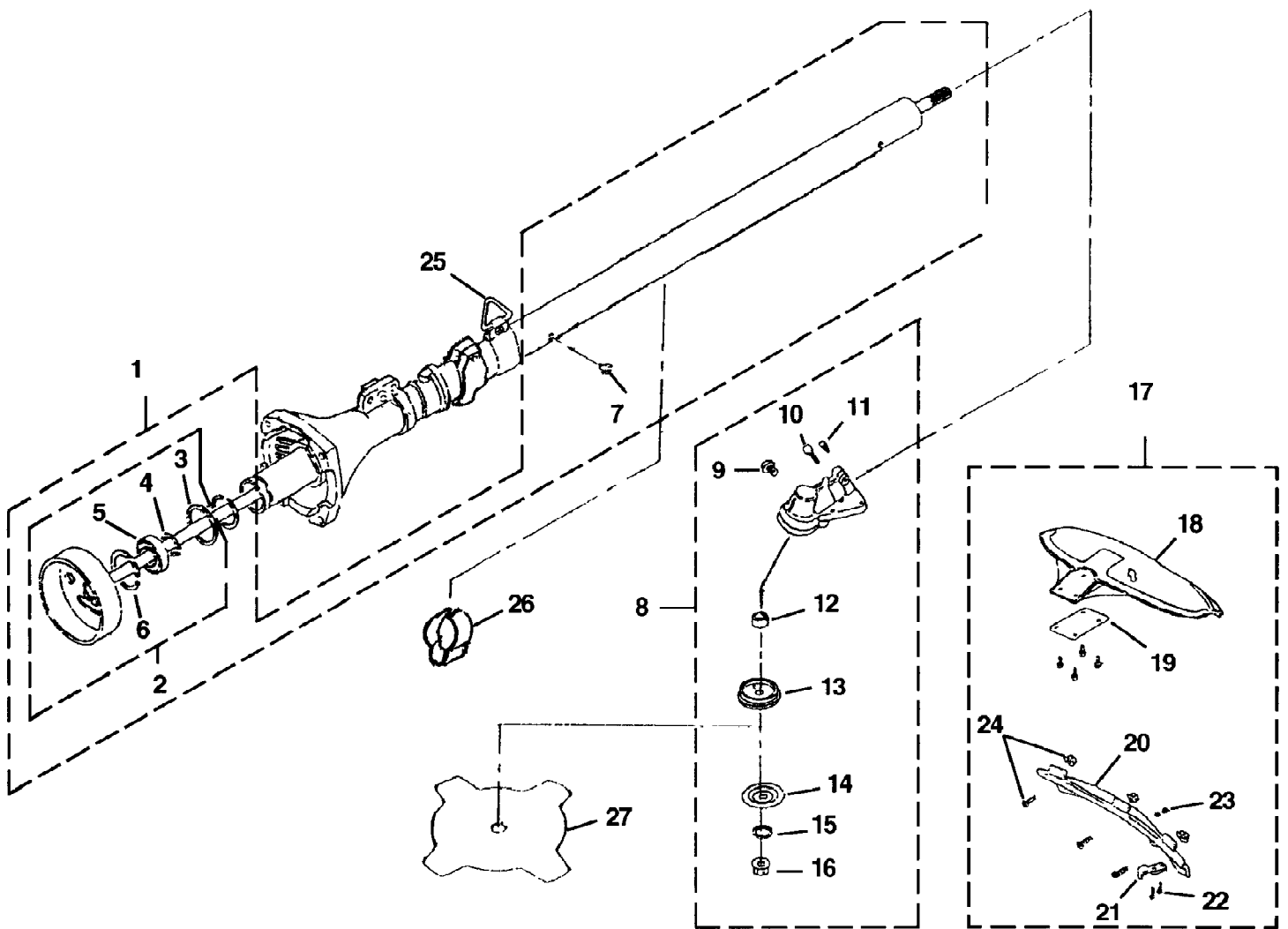


GT50B Trimmer/Brushcutter UT-26049
Air Filter - Carburetor - Heat Dam

Page 4 of 16

| Ref # | Part Number | Qty | S/P/F | Description |
|-------|-------------|-----|-------|--|
| 1 | UP05497 | 1 | | FUEL TANK ASSEMBLY |
| 2 | PS00520 | 1 | | FILTER-Fuel |
| 3 | PS03282 | 1 | | TUBE ASSEMBLY |
| 4 | PS00522 | 1 | S | CAP-Retainer |
| 5 | PS02989 | 1 | S | CAP - Fuel |
| 6 | PS00833 | 1 | | HOSE CLAMP |
| 7 | PS03284 | 3 | | SCREW |
| 8 | PS00816 | 3 | | WASHER |
| 9 | PS03285 | 3 | | SPACER |
| 10 | PS03287 | 1 | | CLIP |
| 11 | PS03286 | 3 | | BUMPER, Fuel Tank |
| 12 | UP05498 | 1 | | AIR FILTER ASSEMBLY |
| 13 | PS03288 | 1 | | BODY - Air Filter |
| 14 | PS03289 | 1 | | FILTER - Air |
| 15 | PS03290 | 1 | | HOLDER - Lead |
| 16 | PS03291 | 2 | | SPACER |
| 17 | PS03292 | 1 | | LABEL - Choke |
| 18 | PS03293 | 2 | | SCREW - Pan Hd Torque Specs 19 - 25 In/Lbs 2.1 - 2.8 Nm |
| 19 | UP05499 | 1 | | CARBURETOR ASSY |
| 20 | UP00650 | 1 | | AIR PURGE BULB |
| 21 | PS03294 | 1 | | TUBE |
| 22 | PS03287 | 1 | | CLIP |
| 23 | PS03298 | 2 | | SCREW |
| 24 | PS03299 | 1 | | GASKET - Carburetor |
| 25 | PS03300 | 1 | | GASKET - Heat Dam |
| 26 | UP05500 | 1 | | HEAT DAM ASSEMBLY |
| 24 | PS03299 | 1 | | GASKET - Carburetor |
| 25 | PS03300 | 1 | | GASKET - Heat Dam |
| 27 | PS03301 | 2 | | SCREW - Socket Hd Torque Specs 33 - 37 In/Lbs 3.7 - 4.2 Nm; Red 262 Loctite Required |
| 28 | PS00503 | 2 | /P | WASHER-Spring |
| 29 | PS03302 | 2 | | WASHER |
| 30 | PS03303 | 2 | /P | NUT |

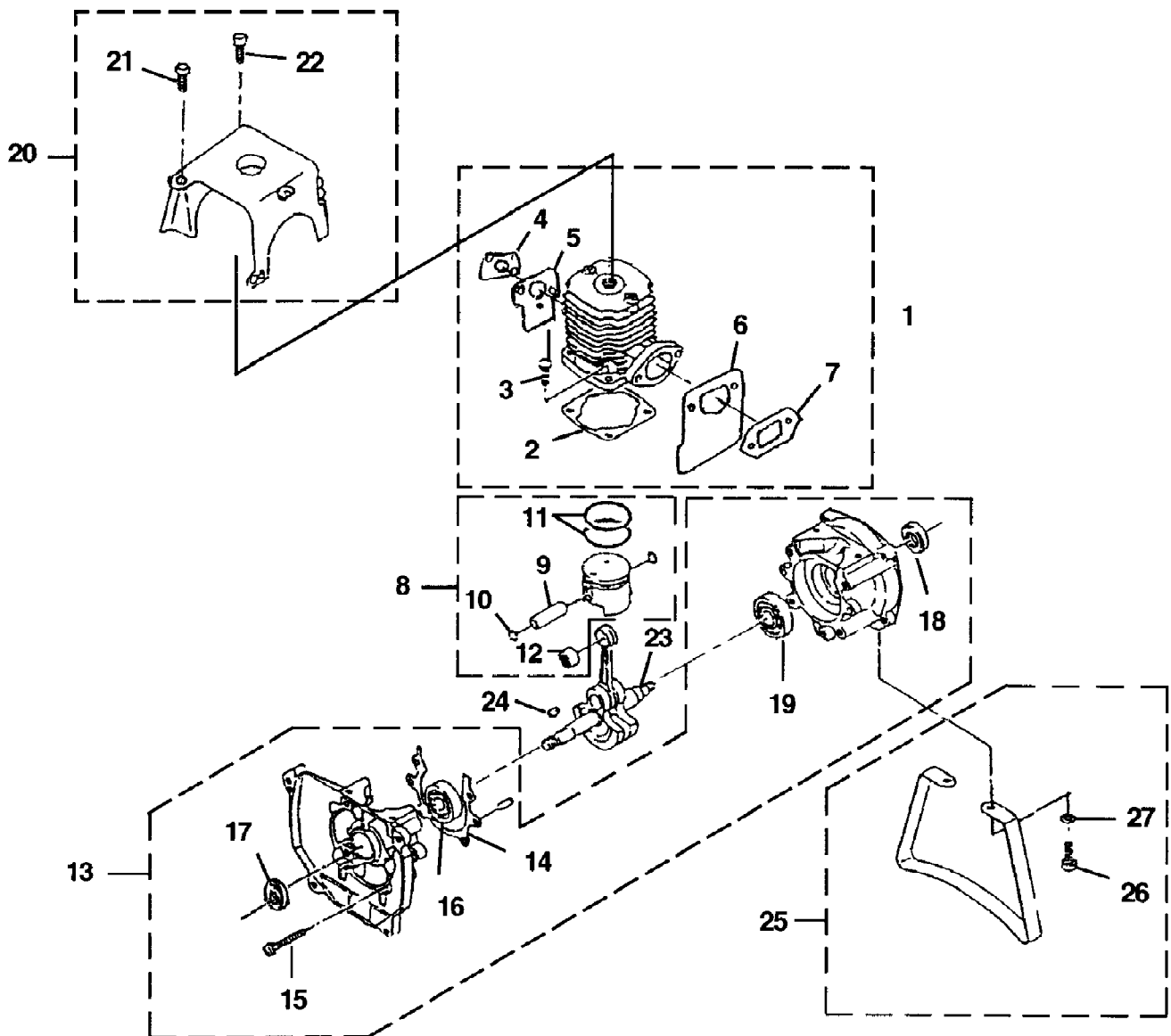
GT50B Trimmer/Brushcutter UT-26049
Deflector - Guard - Driveshaft - Stringhead



GT50B Trimmer/Brushcutter UT-26049
Deflector - Guard - Driveshaft - Stringhead

Page 6 of 16

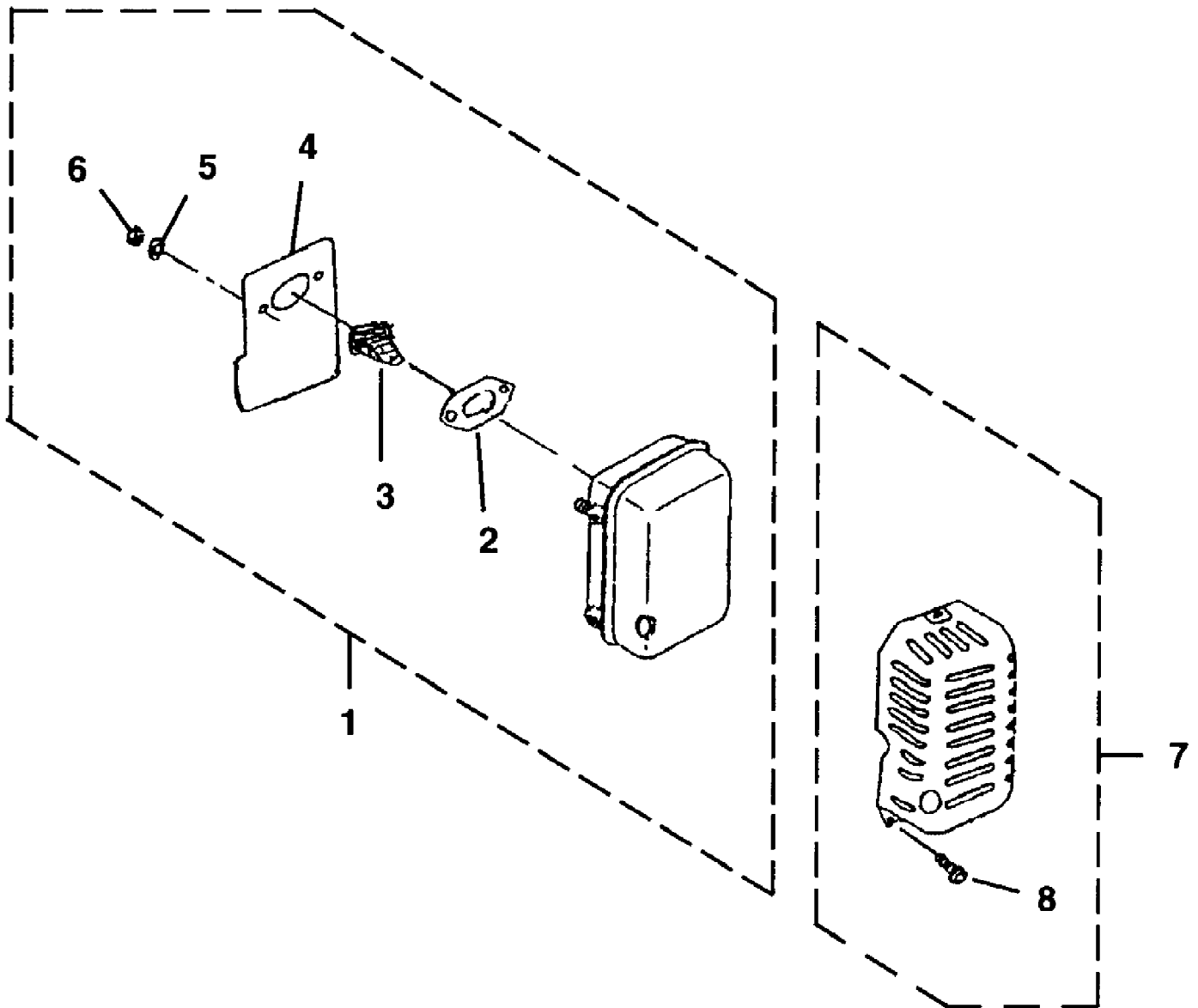
| Ref # | Part Number | Qty | S/P/F | Description |
|-------|-------------|-----|-------|--|
| 1 | UP05507 | 1 | | DRIVESHAFT HSG |
| 2 | UP05508 | 1 | | DRIVESHAFT ASSY |
| 3 | PS03107 | 1 | | WASHER |
| 4 | PS03103 | 1 | | SNAPRING - Outer |
| 5 | PS03101 | 1 | | BEARING, BALL |
| 6 | PS03102 | 1 | | SNAPRING - Inner |
| 7 | PS03325 | 1 | | BOLT - Oil |
| 8 | UP05509 | 1 | | GEARHEAD ASSEMBLY |
| 9 | PS03326 | 1 | | BOLT - Grease |
| 10 | PS03327 | 1 | | SCREW - Socket Hd (M5 X 15 SW) Torque Specs 44 - 60 In/Lbs 5.0 - 6.8 Nm |
| 11 | PS03328 | 1 | | SCREW - Socket Hd (M6 X 20) Torque Specs 44 - 60 In/Lbs 5.0 - 6.8 Nm |
| 12 | PS03329 | 1 | | SPACER |
| 13 | PS03330 | 1 | | WASHER - Flange |
| 14 | PS03331 | 1 | | WASHER - Clamp |
| 15 | PS03332 | 1 | | WASHER - Spring |
| 16 | PS03333 | 1 | | NUT |
| 17 | UP05510 | 1 | | DEFLECTOR ASSY |
| 18 | PS03334 | 1 | | DEFLECTOR - Blade |
| 19 | PS03335 | 1 | | FIXING PLATE |
| 20 | PS03336 | 1 | | DEFLECTOR - Grass |
| 21 | PS03337 | 1 | | BLADE |
| 22 | PS03338 | 2 | | BOLT Torque Specs 52 - 68 In/Lbs 5.9 - 7.7 Nm |
| 23 | PS03339 | 2 | | NUT |
| 24 | PS03340 | 3 | | BOLT AND NUT SET Torque Specs 52 - 68 In/Lbs 5.9 - 7.7 Nm |
| 25 | PS03109 | 1 | | HANGER ASSEMBLY |
| 26 | PS03122 | 2 | | CLAMP - Wire |
| 27 | PS03161 | 1 | | BLADE - Cutter |



GT50B Trimmer/Brushcutter UT-26049
Engine Internals

Page 8 of 16

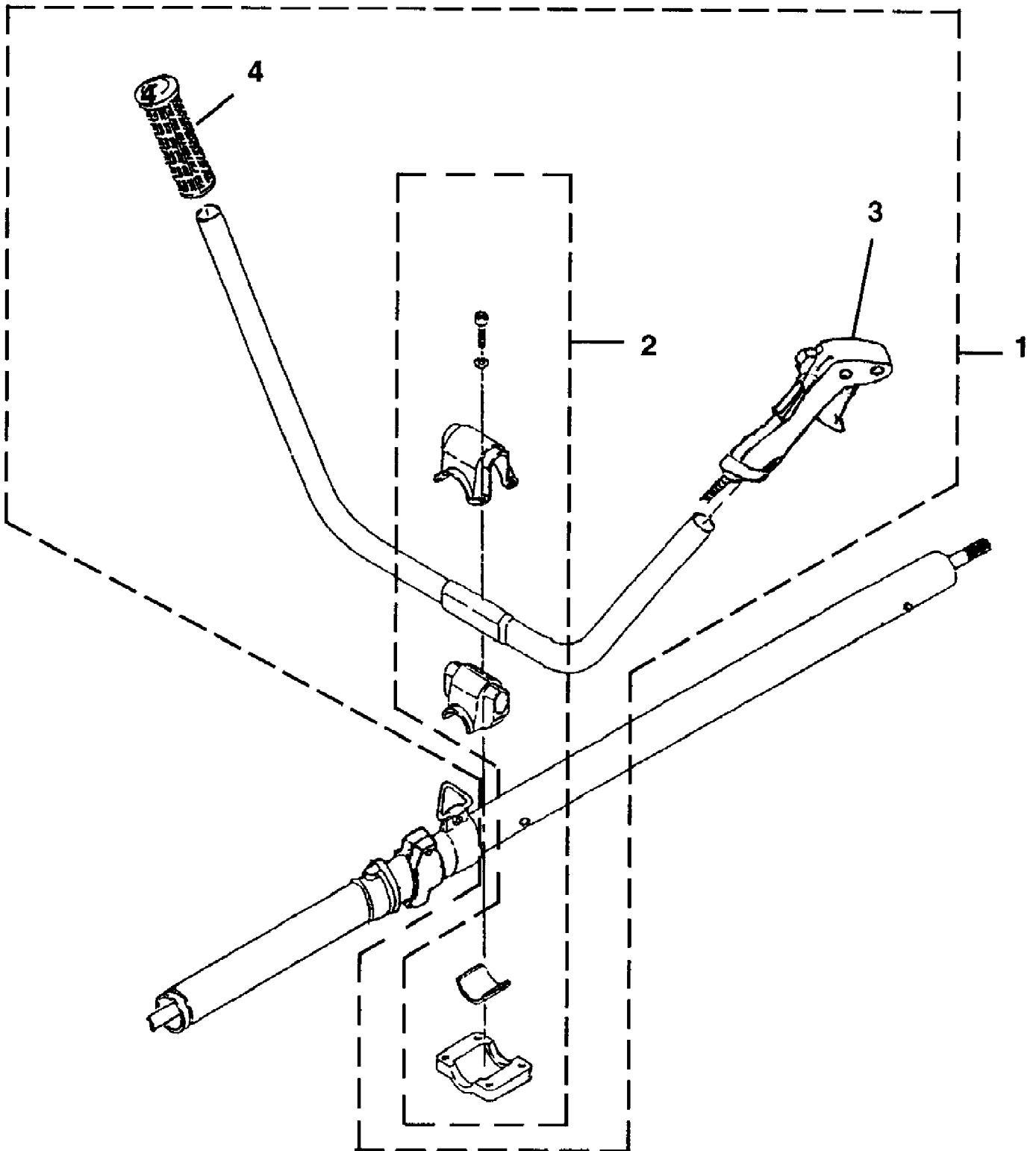
| Ref # | Part Number | Qty | S/P/F | Description |
|-------|-------------|-----|-------|--|
| 1 | UP05490 | 1 | | CYLINDER ASSEMBLY |
| 2 | PS03254 | 1 | | GASKET, CYLINDER |
| 3 | PS03255 | 4 | /P | SCREW Torque Specs 61 - 69 In/Lbs 6.9 - 7.8 Nm |
| 4 | PS03256 | 1 | | GASKET, CARB |
| 5 | PS03257 | 1 | | GASKET, HEAT DAM |
| 6 | PS03258 | 1 | | GASKET, MUFFLER |
| 7 | PS03259 | 1 | | GASKET, MUFFLER |
| 8 | UP05486 | 1 | | PISTON ASSEMBLY |
| 9 | PS03240 | 1 | | PIN - Piston |
| 10 | PS03241 | 2 | | RING - Retaining |
| 11 | PS00748 | 2 | | RING - Piston |
| 12 | PS03242 | 1 | | BEARING - Wrist Pin |
| 13 | UP05487 | 1 | | CRANKCASE ASSY |
| 14 | PS03243 | 1 | | GASKET, C/CASE |
| 15 | PS03244 | 4 | | SCREW |
| 16 | PS03003 | 1 | S | BEARING, BALL |
| 17 | PS03004 | 1 | | OIL SEAL |
| 18 | PS03252 | 1 | | OIL SEAL |
| 19 | PS03155 | 1 | | BEARING, BALL |
| 20 | UP05488 | 1 | | CYLINDER COVER |
| 21 | PS03247 | 2 | /P | SCREW Torque Specs 11 - 15 In/Lbs 1.2 - 1.7 Nm |
| 22 | PS03248 | 1 | | SCREW Torque Specs 11 - 15 In/Lbs 1.2 - 1.7 Nm |
| 23 | PS03249 | 1 | | CRANKSHAFT |
| 24 | PS03250 | 1 | | KEY-Woodruff |
| 25 | UP05489 | 1 | | STAND - Engine |
| 26 | PS03251 | 2 | | SCREW - Socket Hd (M6 X 12) Torque Specs 61 - 69 In/Lbs 6.9 - 7.8 Nm |
| 27 | PS00503 | 2 | /P | WASHER-Spring |



GT50B Trimmer/Brushcutter UT-26049
Exhaust System

Page 10 of 16

| Ref # | Part Number | Qty | S/P/F | Description |
|-------|-------------|-----|-------|--|
| 1 | UP05495 | 1 | | MUFFLER ASSEMBLY |
| 2 | PS03277 | 1 | | GASKET - Muffler |
| 3 | PS03278 | 1 | | SPARK ARRESTER |
| 4 | PS03279 | 1 | | GASKET - Muffler |
| 5 | PS00503 | 2 | /P | WASHER-Spring |
| 6 | PS03280 | 2 | | NUT |
| 7 | UP05496 | 1 | | MUFFLER COVER |
| 8 | PS03281 | 3 | S | SCREW Torque Specs 11 - 15 In/Lbs 1.2 - 1.7 Nm |

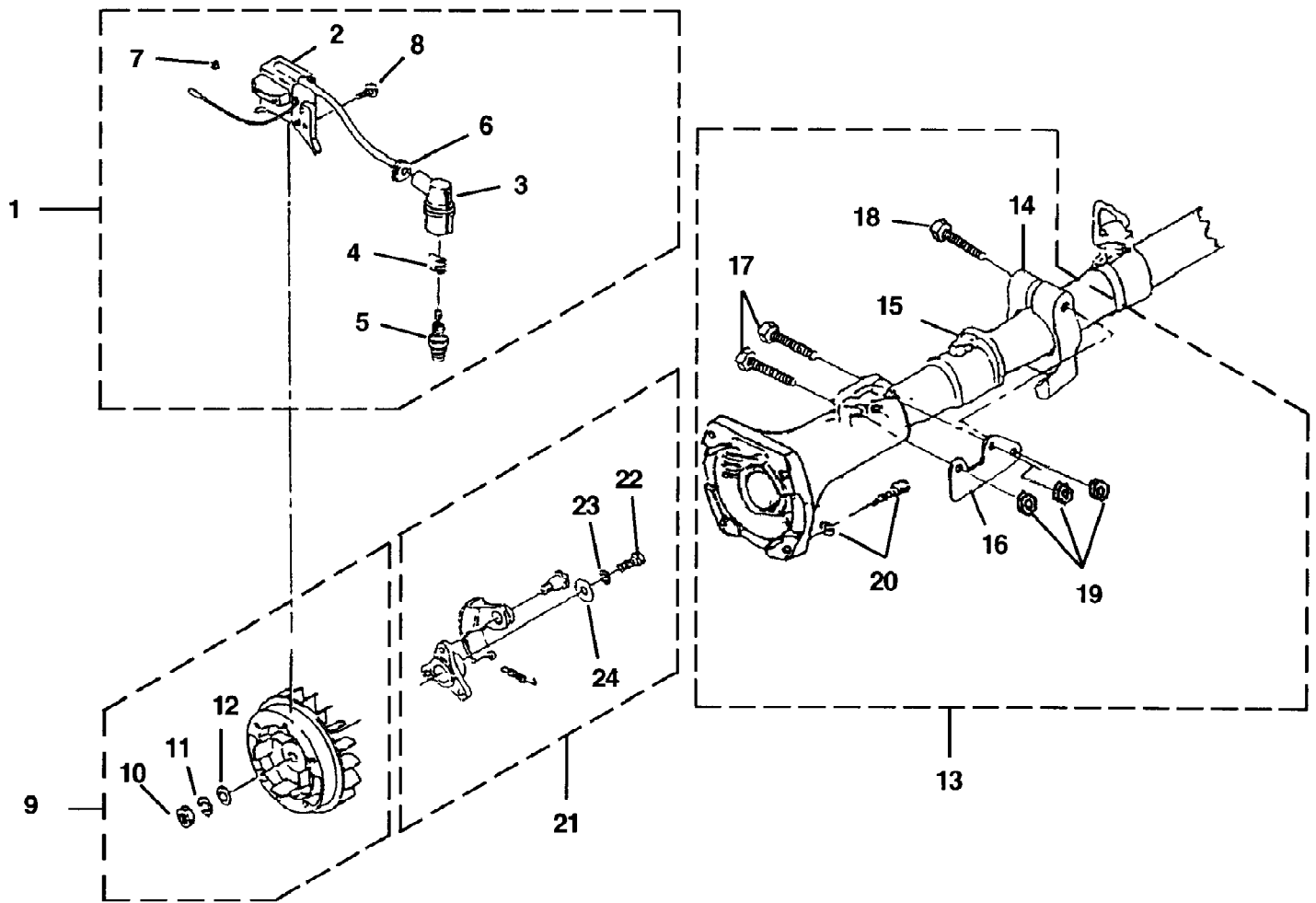


GT50B Trimmer/Brushcutter UT-26049
Handle

Page 12 of 16

| Ref # | Part Number | Qty | S/P/F | Description |
|-------|-------------|-----|-------|-----------------|
| 1 | UP05505 | 1 | | HANDLE ASSEMBLY |
| 2 | UP05413 | 1 | | HANDLE BRACKET |
| 3 | PS03316 | 1 | | CONTROL LEVER |
| 4 | PS02756 | 1 | | GRIP |

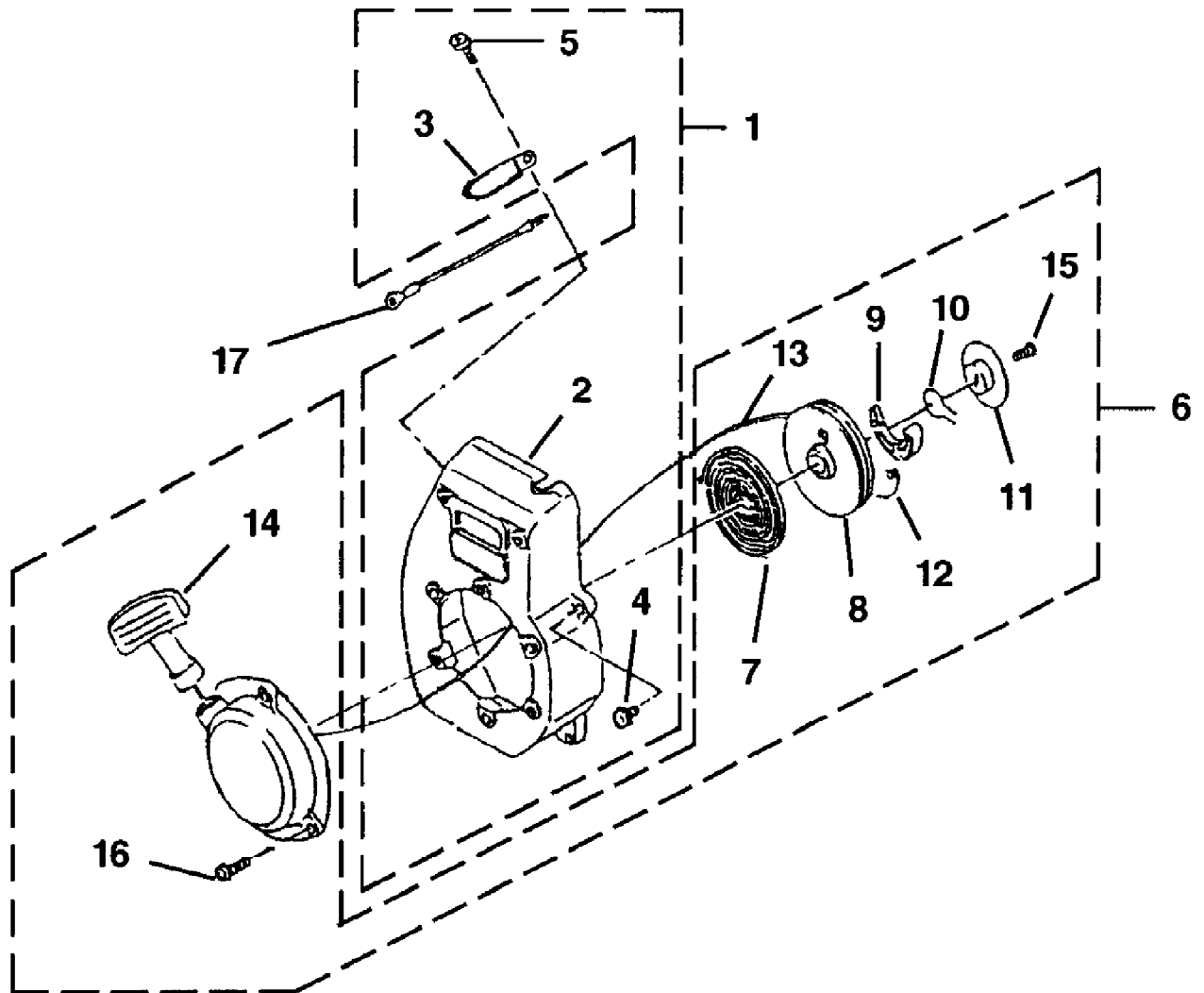
GT50B Trimmer/Brushcutter UT-26049
Ignition - Rotor - Clutch - Isolator



GT50B Trimmer/Brushcutter UT-26049
Ignition - Rotor - Clutch - Isolator

Page 14 of 16

| Ref # | Part Number | Qty | S/P/F | Description |
|-------|-------------|-----|-------|---|
| 1 | UP05491 | 1 | | IGNITION KIT |
| 2 | PS03260 | 1 | | MODULE - Ignition |
| 3 | PS03045 | 1 | | CAP, PLUG |
| 4 | | 1 | | UNKNOWN |
| 5 | PS02691 | 1 | | SPARK PLUG Torque Specs 105 - 155 In/Lbs 11.9 - 17.5 Nm |
| 6 | PS03263 | 1 | | GROMMET |
| 7 | PS03264 | 1 | | GROMMET |
| 8 | PS03265 | 2 | | SCREW - Socket Hd (MS X 18W SW) Torque Specs 38 - 42 In/Lbs 4.3 - 4.7 Nm |
| 9 | UP05492 | 1 | | ROTOR ASSEMBLY Torque Specs 96 - 112 In/Lbs 10.8 - 12.7 Nm |
| 10 | PS03266 | 1 | | NUT |
| 11 | PS03267 | 1 | | WASHER - Spring |
| 12 | PS03268 | 1 | | WASHER |
| 13 | UP05454 | 1 | | CLUTCH HSG ASSY |
| 14 | PS03082 | 1 | | STOPPER |
| 15 | PS03083 | 1 | | STOPPER |
| 16 | PS03093 | 1 | | PLATE |
| 17 | PS00455 | 2 | | BOLT (M6 X 30) |
| 18 | PS03085 | 1 | | BOLT |
| 19 | PS03094 | 3 | | NUT |
| 20 | PS03096 | 4 | | SCREW - Socket Hd (M6 X 18W SW) |
| 21 | UP05452 | 1 | | CLUTCH ASSEMBLY |
| 22 | PS03079 | 1 | | BOLT Torque Specs 65 - 87 In/Lbs 7.3 - 9.8 Nm |
| 23 | PS03080 | 1 | S | WASHER - Spring |
| 24 | PS00829 | 1 | | WASHER |



GT50B Trimmer/Brushcutter UT-26049
Starter

Page 16 of 16

| Ref # | Part Number | Qty | S/P/F | Description |
|-------|-------------|-----|-------|--|
| 1 | UP05502 | 1 | | BLOWER HOUSING |
| 2 | PS03306 | 1 | | HOUSING, BLOWER |
| 3 | PS03366 | 1 | | CLAMP |
| 4 | PS03308 | 4 | S | SCREW Torque Specs 26 - 34 In/Lbs 2.9 - 3.8 Nm |
| 5 | PS03309 | 1 | | SCREW Torque Specs 26 - 34 In/Lbs 2.9 - 3.8 Nm |
| 6 | UP05504 | 1 | | STARTER ASSEMBLY |
| 7 | PS03310 | 1 | | SPRING |
| 8 | PS03311 | 1 | | PULLEY |
| 9 | PS00809 | 1 | | RATCHET |
| 10 | PS00810 | 1 | | SPRING-Friction |
| 11 | PS00811 | 1 | | PLATE-Friction |
| 12 | PS00808 | 1 | | SPRING-Return |
| 13 | PS03312 | 1 | | ROPE - Starter |
| 14 | PS00801 | 1 | | GRIP |
| 15 | PS00710 | 1 | | SCREW Torque Specs 26 - 34 In/Lbs 2.9 - 3.8 Nm |
| 16 | PS03313 | 3 | | SCREW Torque Specs 26 - 34 In/Lbs 2.9 - 3.8 Nm |
| 17 | PS03314 | 1 | | WIRE |