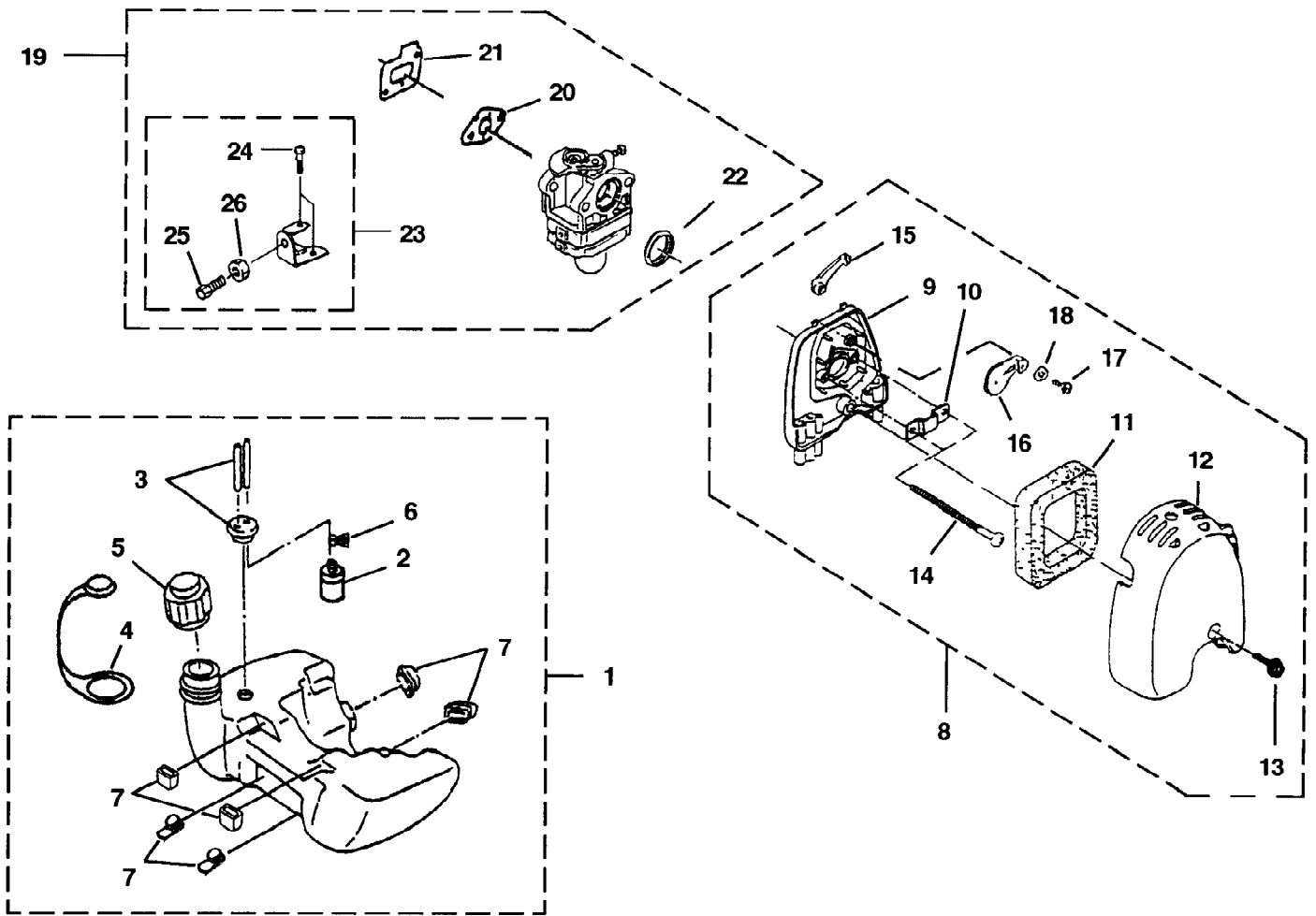


GT31 Trimmer/Brushcutter UT-26054
Accessories

Page 2 of 16

Ref #	Part Number	Qty	S/P/F	Description
1	UP00579	1		TOOL KIT
2	PS00997	1		STRAP
3	PS00998	1		BLADE COVER
4	PS01001	1		QUAD BLADE (Standard)
?5	UP03078	1		DECAL KIT (Not Shown)

GT31 Trimmer/Brushcutter UT-26054
Air Filter - Carburetor - Fuel Tank

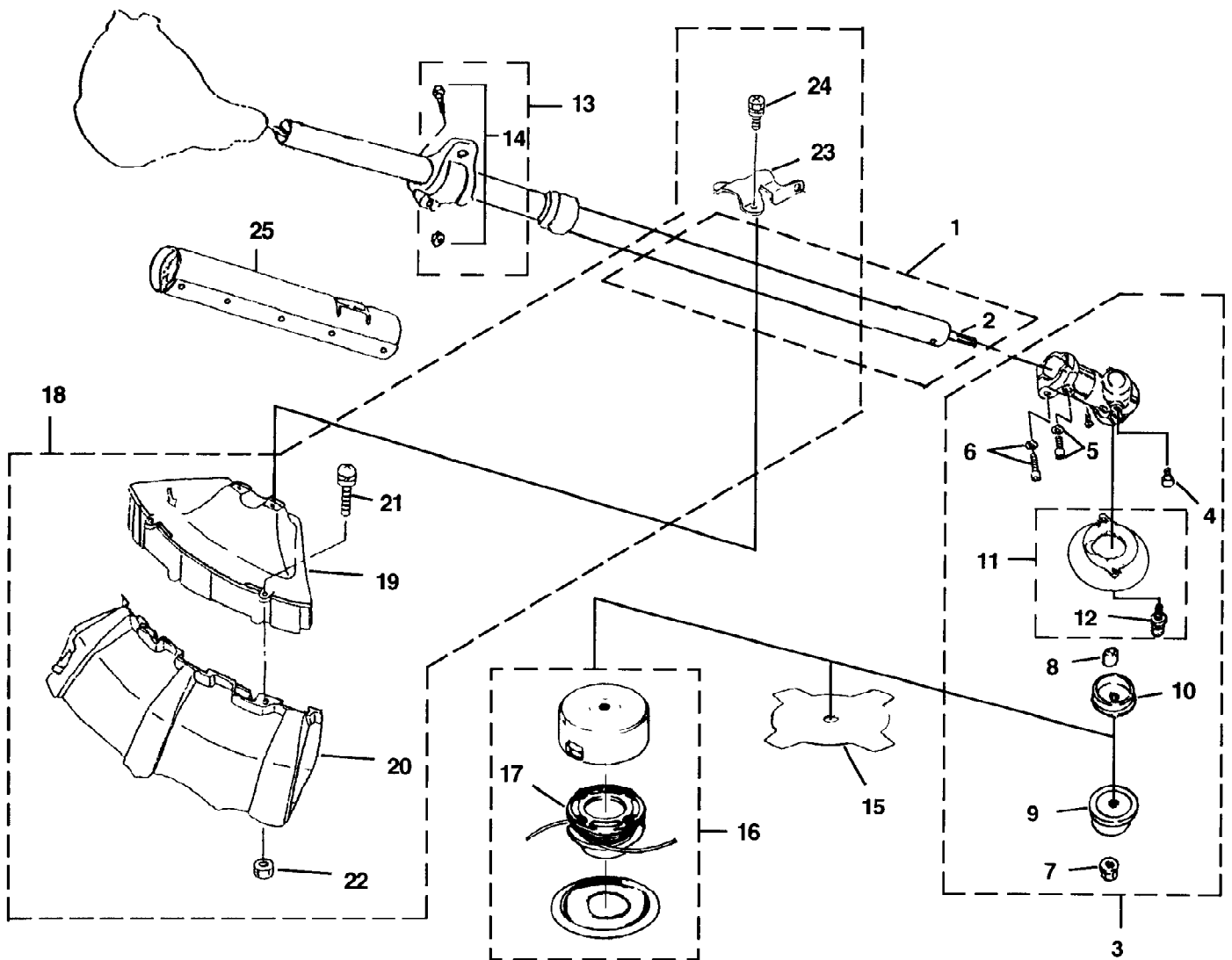


GT31 Trimmer/Brushcutter UT-26054
Air Filter - Carburetor - Fuel Tank

Page 4 of 16

Ref #	Part Number	Qty	S/P/F	Description
1	UP00456	1		FUEL TANK ASSEMBLY
2	PS00520	1		FILTER-Fuel
3	PS00521	1		TUBE
4	PS00522	1	S	CAP-Retainer
5	UP02946	1	/P	CAP-Fuel
6	PS00833	1		CLAMP-Hose
7	UP00458	1	/P	RUBBER BUMPER KIT
8	UP00463	1		AIR FILTER ASSEMBLY
9	PS00545	1		PLATE-Air Filter Assembly
10	PS00546	1		PLATE-Air Filter
11	UP02947	1	/P	FILTER-Air
12	PS00548	1		COVER-Air Filter
13	PS00802	1		SCREW ASSEMBLY (M5 x 14) Torque Specs: 11 - 15 In/Lbs, 1.2 - 1.7 Nm
14	PS00550	2		SCREW (M5 x 50) Torque Specs: 19 - 25 In/Lbs, 2.1 - 2.8 Nm
15	PS02692	1		LEVER Choke
16	PS02693	1		PLATE-Choke
17	PS02694	1	/P	SCREW-Tapping
18	PS02695	1	S	WASHER
19	UP00782	1		CARBURETOR ASSEMBLY
20	PS00851	1		GASKET-Carburetor
21	PS00481	1		GASKET-Heat Dam
22	PS00541	1		RING-Packing
23	UP00462	1		CABLE BRACKET ASSEMBLY
24	PS00542	1		SCREW-Throttle Collar (M5 x 18) Torque Specs: 48 - 56 In/Lbs, 5.4 - 6.3 Nm
25	PS00543	1	/P	SCREW-Cable Adjust
26	PS00544	1	/P	NUT-Cable Adjust

GT31 Trimmer/Brushcutter UT-26054
Deflector - Guard - Driveshaft - Stringhead

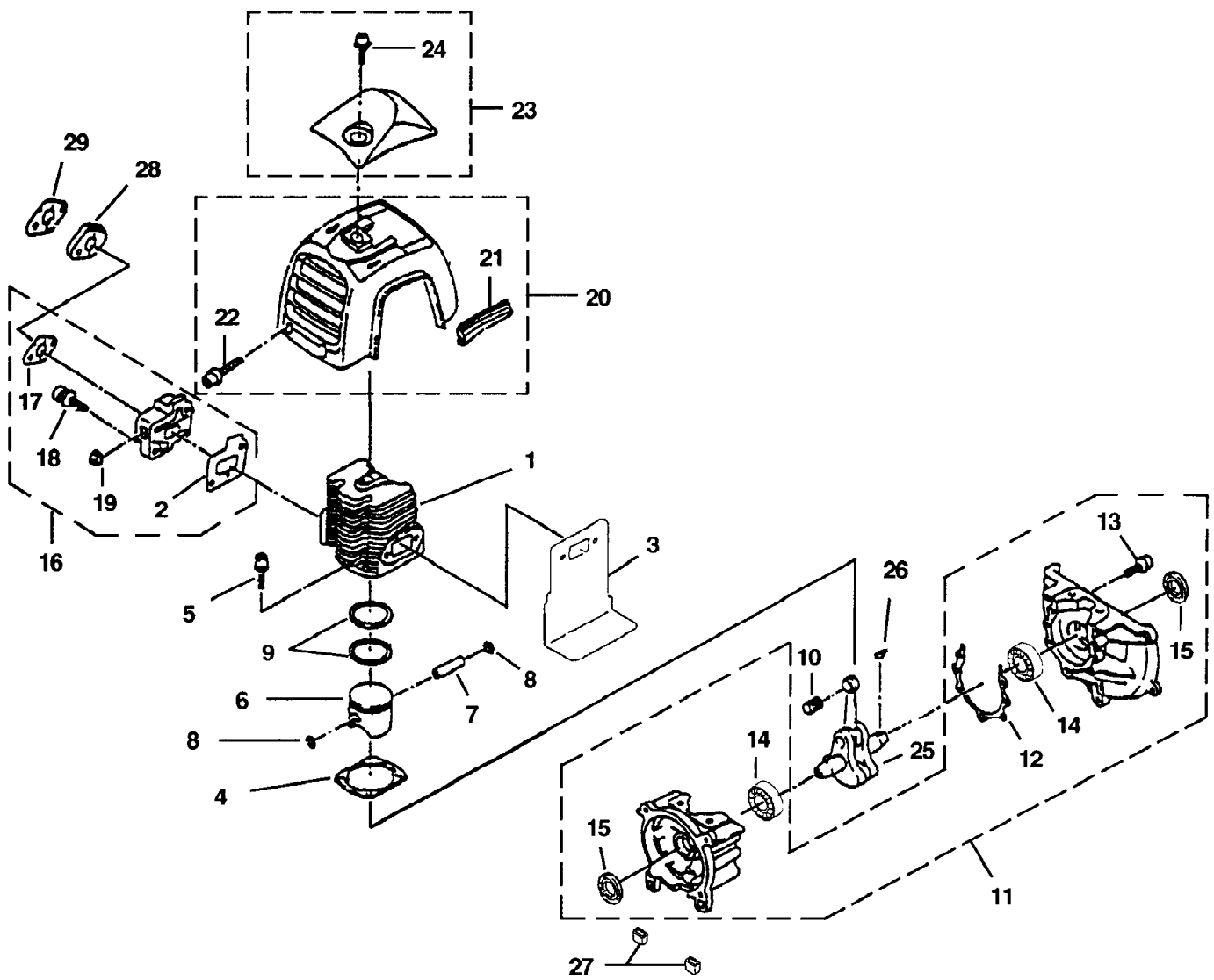


GT31 Trimmer/Brushcutter UT-26054
Deflector - Guard - Driveshaft - Stringhead

Page 6 of 16

Ref #	Part Number	Qty	S/P/F	Description
1	UP00435	1		DRIVESHAFT HOUSING
2	PS00448	1		DRIVESHAFT
3	UP00436	1		GEAR HEAD
4	PS00449	1		BOLT-Grease Torque Specs: 39 - 47 In/Lbs, 4.4 - 5.3 Nm
5	PS00450	1		BOLT ASSEMBLY (M5 X 12 SW) Torque Specs: 44 - 60 In/Lbs, 5.0 - 6.8 Nm
6	PS00451	1		BOLT ASSEMBLY (M5X 25 SW) Torque Specs: 44 - 60 In/Lbs, 5.0 - 6.8 Nm
7	PS00452	1		NUT Torque Specs: 149 - 165 In/Lbs, 16.8 - 18.6 Nm
8	PS00453	1		SPACER
9	PS00447	1		WASHER-Cupped
10	PS00454	1		WASHER-Flange
11	UP00496	1		GRASS GUARD
12	PS00559	3		SCREW-Socket Hd (M5 x 12 W SW) Torque Specs: 48 - 56 In/Lbs, 5.4 - 6.3 Nm
13	UP00441	1		HANGER ASSEMBLY
14	PS00460	1		SCREW AND NUT Torque Specs: 13 - 21 In/Lbs, 1.5 - 2.4 Nm
15	PS01001	1		BLADE CUTTER
16	UP05113	1		STRINGHEAD ASSEMBLY (.095)
17	UP05114	1		SPOOL & STRING (.095)
18	UP05111	1		PROTECTOR ASSEMBLY
19	PS02684	1		PROTECTOR COMPLETE
20	PS02685	1	/P	PROTECTOR COMPLETE
21	PS02681	2	/P	SCREW ASSEMBLY
22	PS02680	2	/P	NUT
23	PS02679	1		CLAMP-Protector
24	PS00455	2		BOLT ASSEMBLY Torque Specs: 52 - 68 In/Lbs, 5.9 - 7.7 Nm
25	PS02984	1		CUSHION

GT31 Trimmer/Brushcutter UT-26054
Engine Internals

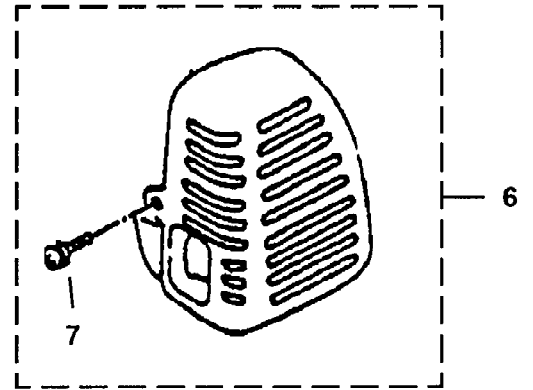
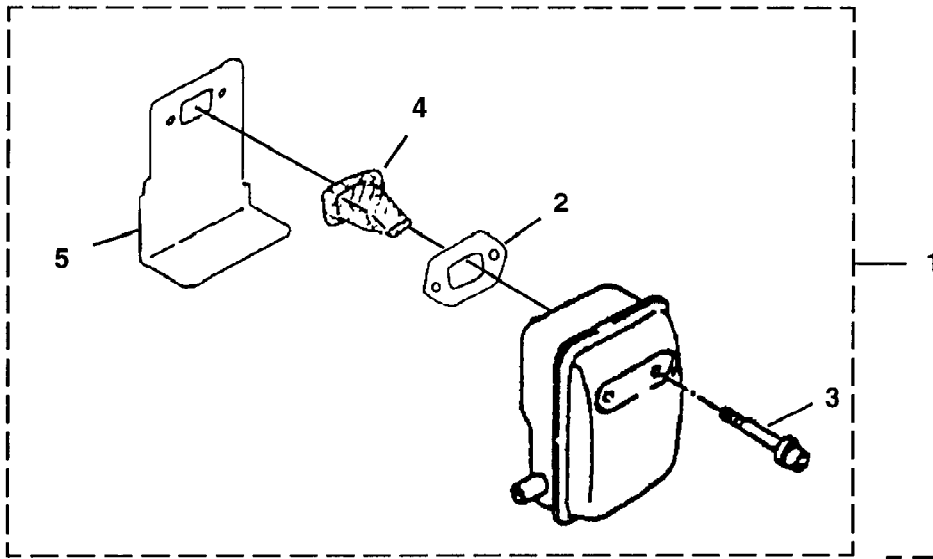


GT31 Trimmer/Brushcutter UT-26054
Engine Internals

Page 8 of 16

Ref #	Part Number	Qty	S/P/F	Description
1	UP00446	1		CYLINDER ASSEMBLY
2	PS00481	1		GASKET-Heat Dam
3	PS00482	1		GASKET-Muffler
4	PS00483	1		GASKET-Cylinder
5	PS00518	4		SCREW-Socket HD (M5 x 18 SW) Torque Specs: 61 - 69 In/Lbs, 6.9 - 7.8 Nm
6	UP00447	1		PISTON ASSEMBLY
7	PS00485	1		PIN-Piston
8	PS00486	2		RING-Retaining
9	PS00487	2		RINGS-Piston
10	PS00488	1	/P	BEARING-Wrist Pin
11	UP00448	1		CRANKCASE ASSEMBLY
12	PS00489	1		GASKET-Crankcase
13	PS00490	5		SCREW (M5 x 25) Torque Specs: 33 - 37 In/Lbs, 3.7 - 4.2 Nm
14	PS02687	2		BALL BEARING
15	PS02688	2		OIL SEAL
16	UP00449	1		HEAT DAM ASSEMBLY
2	PS00481	1		GASKET-Heat Dam
17	PS00851	1		GASKET-Carburetor
18	PS00758	2		SCREW-Socket Hd (M5 x 20) Torque Specs: 33 - 37 In/Lbs, 3.7 - 4.2 Nm, Red 262 Loctite required
19	PS00494	2		NUT
20	UP00459	1		CYLINDER COVER
21	PS00528	1		BUMPER, Rubber
22	PS00534	2		SCREW (M5 X 30) Torque Specs: 11 - 15 In/Lbs, 1.7 - 1.7 Nm
23	UP00460	1		PLUG COVER
24	PS00535	1		SCREW
25	PS00537	1		CRANKSHAFT
26	PS00538	1		KEY-Woodruff
27	UP00458	1	/P	RUBBER BUMPER KIT
28	PS02689	1		SPACER-Carburetor
29	PS00851	1		GASKET-Carburetor

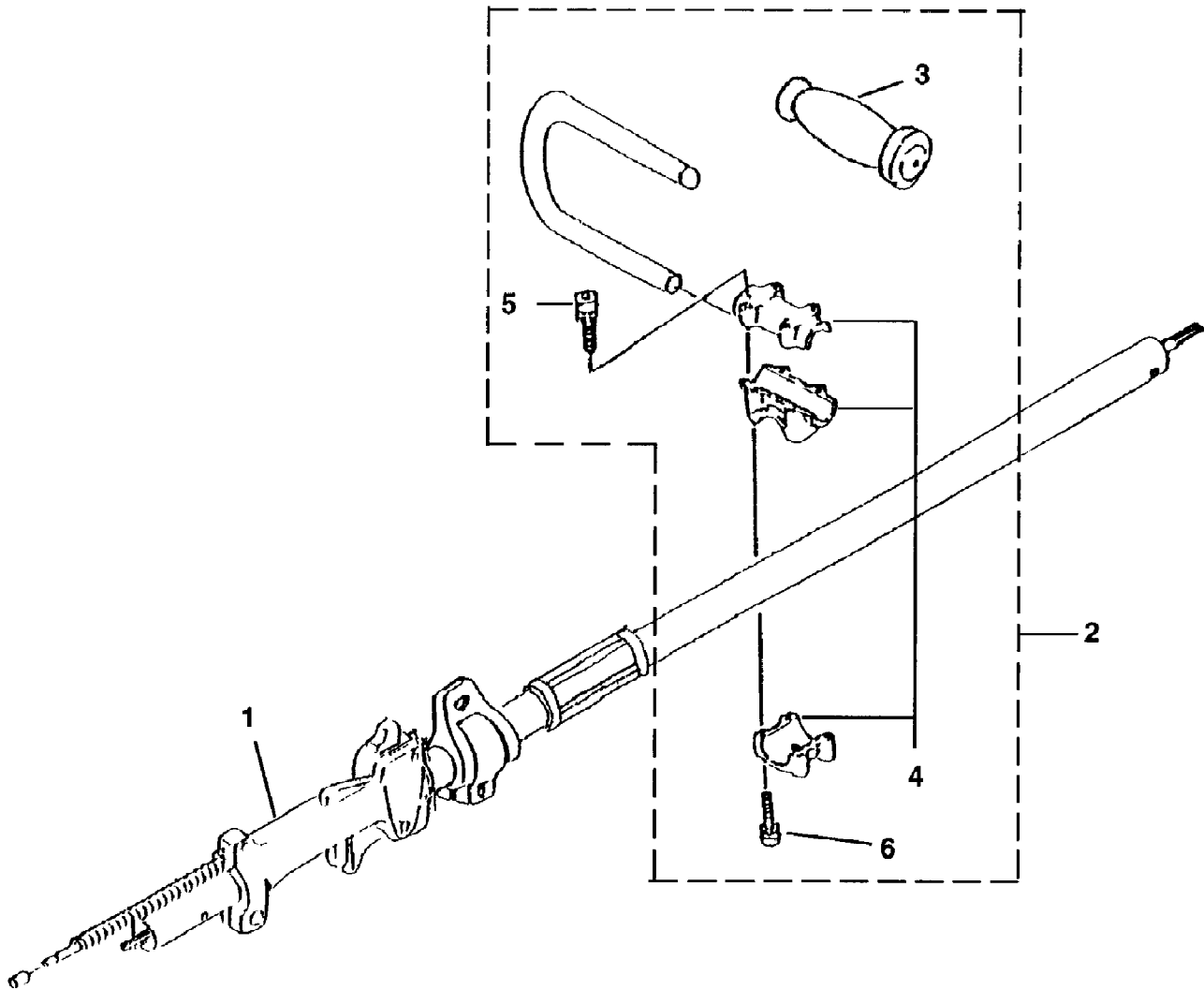
GT31 Trimmer/Brushcutter UT-26054
Exhaust System



GT31 Trimmer/Brushcutter UT-26054
Exhaust System

Page 10 of 16

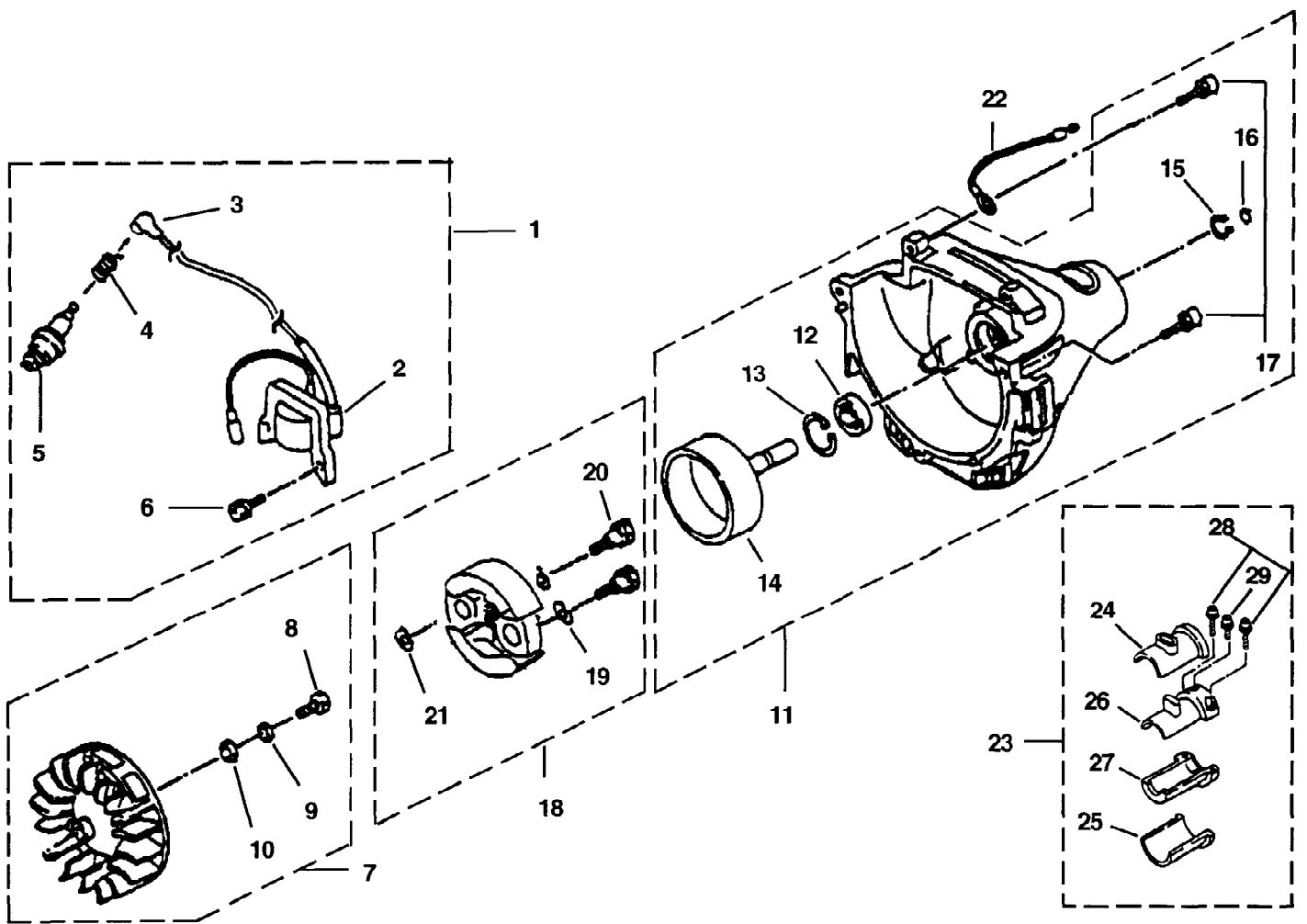
Ref #	Part Number	Qty	S/P/F	Description
1	UP00450	1		MUFFLER ASSEMBLY
2	PS02715	1		GASKET-Muffler
3	PS00694	2		SCREW-Socket Hd. (M5 x 55) Torque Specs: 61 - 69 In/Lbs, 6.9 - 7.8 Nm, Red 262 Loctite Required
4	PS02716	1		SPARK ARRESTOR
5	PS00482	1		GASKET-Muffler
6	UP00461	1		MUFFLER COVER (Black)
7	PS00802	1		SCREW ASSEMBLY (M5 x 14) Torque Specs: 11 - 15 In/Lbs, 1.2 - 1.7 Nm



GT31 Trimmer/Brushcutter UT-26054
Handle - Throttle

Page 12 of 16

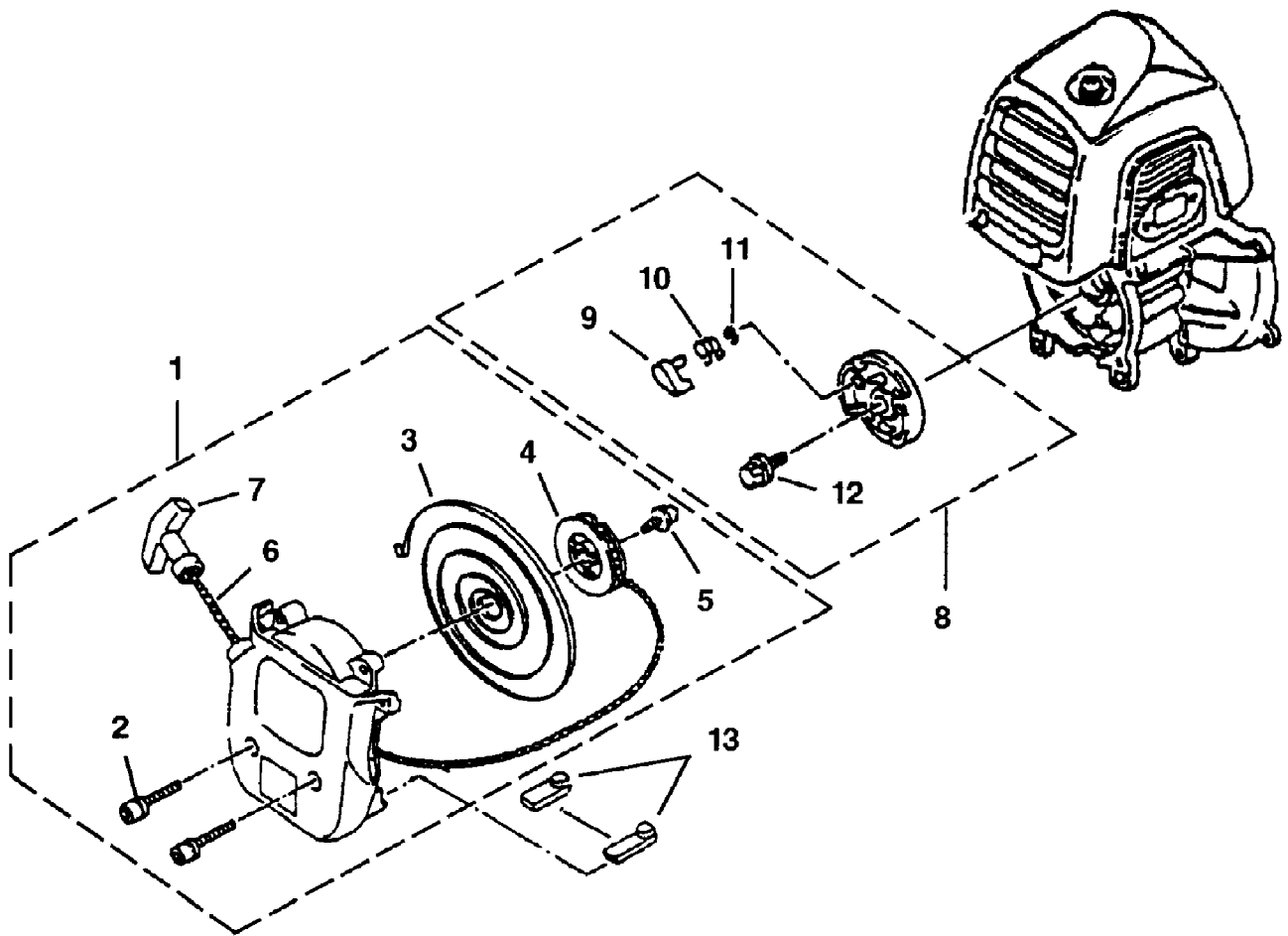
Ref #	Part Number	Qty	S/P/F	Description
1	UP05130	1		CONTROL LEVER ASSEMBLY
2	UP00439	1		HANDLE ASSEMBLY
3	PS00457	1		GRIP
4	PS00440	1		HANDLE-Bracket Assembly
5	PS00458	4	S	BOLT-Socket Hd (M5 x 25 SW) Torque Specs: 40 - 48 In/Lbs, 4.5 - 5.4 Nm
6	PS00553	4	/P	BOLT-Socket Hd (M5 x 25 SW) Torque Specs: 40 - 48 In/Lbs, 4.5 - 5.4 Nm



GT31 Trimmer/Brushcutter UT-26054
Ignition - Rotor - Clutch - Isolator

Page 14 of 16

Ref #	Part Number	Qty	S/P/F	Description
1	UP05128	1		IGNITION KIT
2	PS00497	1		MODULE-Ignition
3	PS00498	1		CAP-Plug
4	PS00499	1		SPRING-Plug Cap
5	PS02691	1		SPARK PLUG Torque Specs: 105 - 155 In/Lbs, 11.9 - 17.5 Nm
6	PS00501	2		SCREW ASSEMBLY (M5 X 20) Torque Specs: 38 - 42 In/Lbs, 4.3 - 4.7 Nm
7	UP00452	1		ROTOR ASSEMBLY
8	PS00502	1		SCREW (M6 x 16) Torque Specs: 96 - 112 In/Lbs, 10.8 - 12.7 Nm
9	PS00503	1	/P	WASHER-Spring
10	PS00716	1		WASHER
11	UP00453	1		CLUTCH HOUSING
12	PS00505	1		BEARING-Ball
13	PS00506	1		SNAP RING-Inner
14	PS00507	1		CLUTCH DRUM
15	PS00508	1		SNAP RING-Outer
16	PS00509	1		O-RING
17	PS00840	3		SCREWS-Socket Hd (M5 x 20W SW) Torque Specs: 38 - 42 In/Lbs, 4.3 - 4.7 Nm
18	UP00454	1		CLUTCH ASSEMBLY
19	PS00511	2		WASHER
20	PS00826	2		BOLT-Clutch (M6 x 25) Torque Specs: 65 - 87 In/Lbs, 7.3 - 9.8 Nm
21	PS00588	2		WASHER
22	PS00813	1	/P	WIRE
23	UP00455	1		DRIVESHAFT ISOLATOR ASSEMBLY
24	PS00514	1		BRACKET
25	PS00515	1		BRACKET
26	PS00516	1		ISOLATOR
27	PS00517	1		ISOLATOR
28	PS00518	2		SCREW-Socket Hd (M5 x 18 SW)
29	PS00554	1		SCREW-Socket Hd (M5 x 12 SW)



GT31 Trimmer/Brushcutter UT-26054
Starter

Page 16 of 16

Ref #	Part Number	Qty	S/P/F	Description
1	UP00443	1		STARTER COMPLETE
2	PS00534	4		SCREW-Socket Hd (M5 x 30) Torque Specs: 26 - 34 In/Lbs, 2.9 - 3.8 Nm
3	PS00707	1		SPRING
4	PS00473	1		PULLEY
5	PS00474	1		SCREW-Set (M5 x 30) Torque Specs: 26 - 34 In/Lbs, 2.9 - 3.8 Nm
6	PS00475	1		ROPE-Starter
7	PS00568	1	/P	GRIP
8	UP00444	1		STARTER CUP ASSEMBLY
9	PS00477	1		RATCHET
10	PS00478	1		SPRING-Return
11	PS00479	1		E-CLIP
12	PS00822	1		BOLT ASSEMBLY (M6 x 14) Torque Specs: 62 - 78 In/Lbs, 7.0 - 8.8 Nm
13	UP00458	1	/P	RUBBER BUMPER KIT