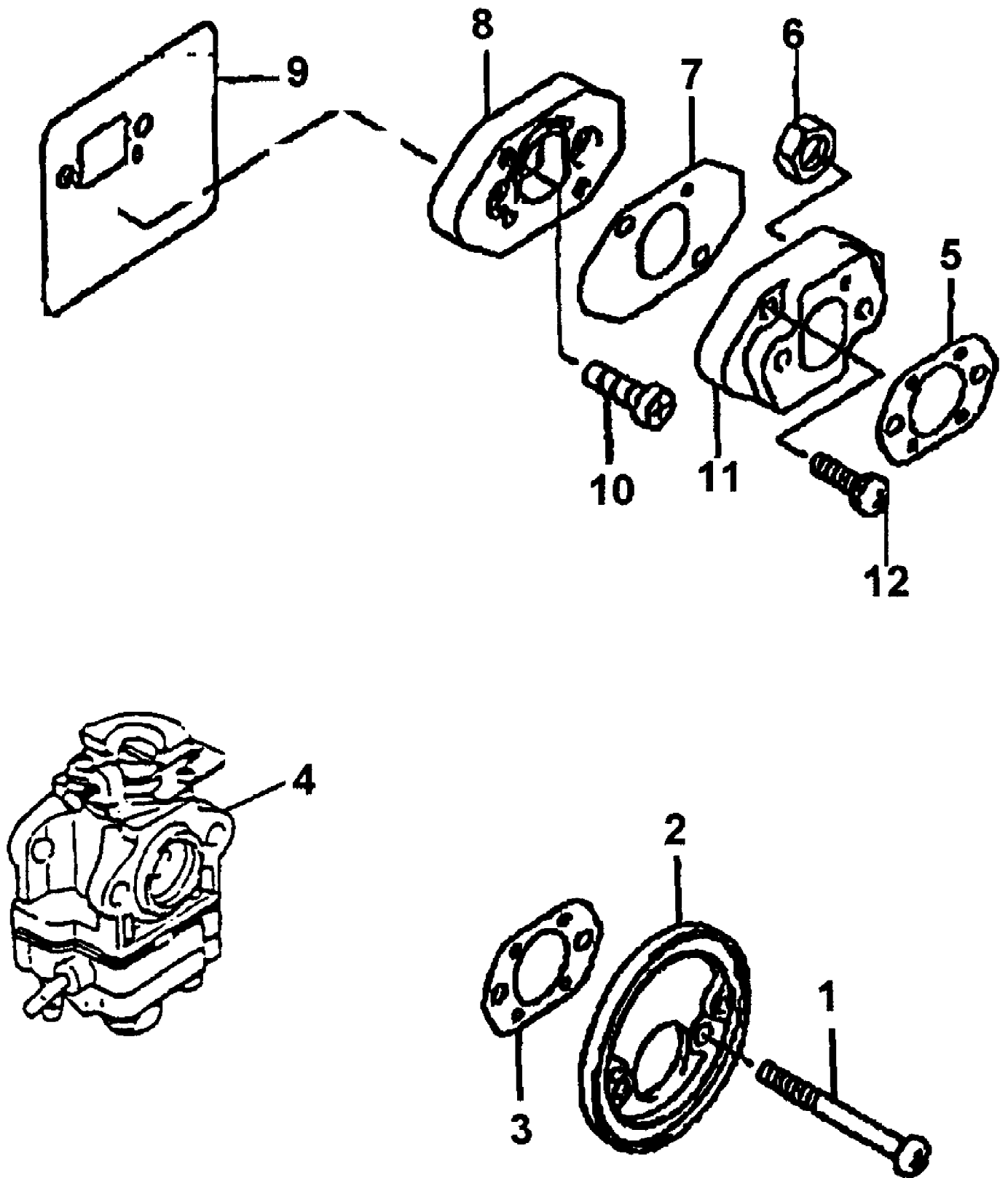


4600BP UT-26110  
Air Cleaner

Page 2 of 20

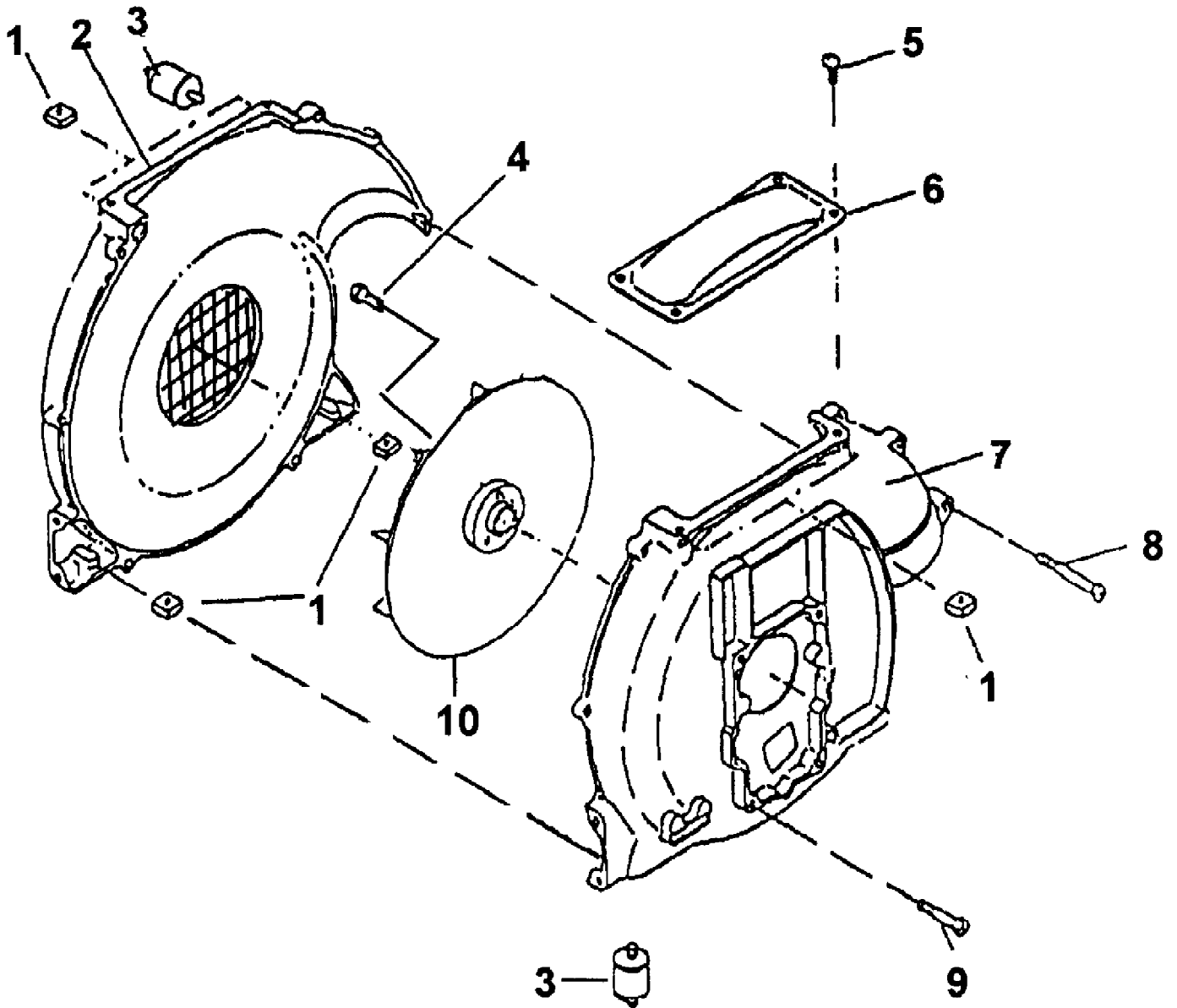
Ref #	Part Number	Qty	S/P/F	Description
	A0789757	1	S	AIR CLEANER ASSY.
1	GM468211	1		"O" RING
2	GM468202	1		CASE
3	GM468205	1		ELEMENT (LARGE)
4	0789622	1	/P	GRATE
5	GM468203	1	/P	COVER
6	GM468204	1		ELEMENT (SMALL)
7	GM468210	2		SCREW Torque Specs: 25-35 In/Lbs; 2.9-4.0 Nm



4600BP UT-26110  
Carburetor

Page 4 of 20

Ref #	Part Number	Qty	S/P/F	Description
1	GM467268	2		SCREW Torque Specs: 25-35 In/Lbs; 2.9-4.0 Nm
2	GM467259	1		BASE, AIR CLEANER
3	GM467238	1		GASKET
4	A0789619	1		CARBURETOR
5	GM467238	1		GASKET
6	0789620	1		NUT
7	0789621	1	/P	GASKET
8	GM467258	1		ADAPTER, INSULATOR
9	GM467240	1		GASKET
10	GM467278	2		SCREW Torque Specs: 25-35 In/Lbs; 2.9-4.0 Nm
11	GM467255	1		INSULATOR
12	GM467279	2		SCREW Torque Specs: 25-35 In/Lbs; 2.9-4.0 Nm

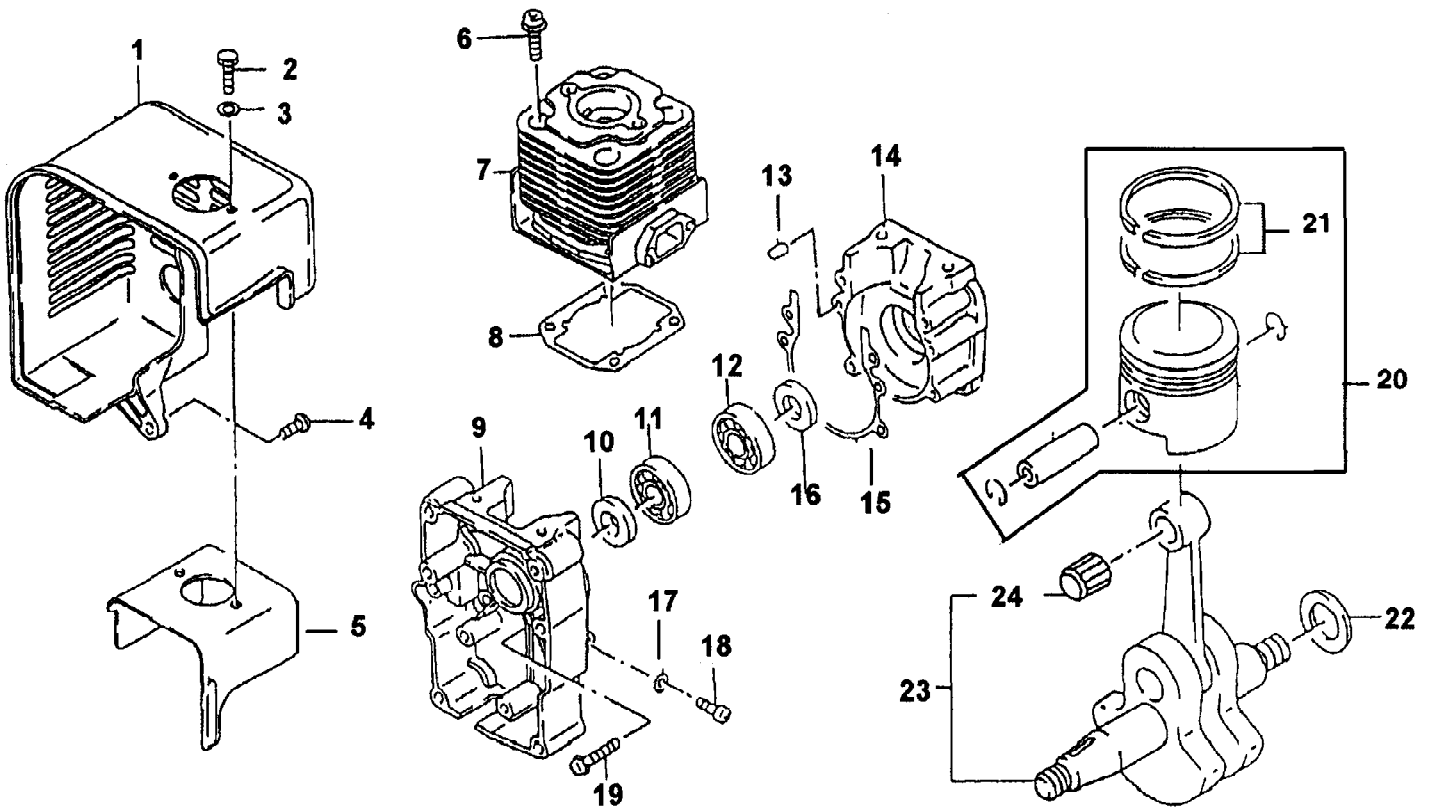


4600BP UT-26110  
Case & Fan

Page 6 of 20

Ref #	Part Number	Qty	S/P/F	Description
1	GM050077	4		NUT
2	0789635	1		FAN CASE, FRONT
3	GM465522	4		ANTI-VIBE INSULATOR
4	0789636	3		SCREW Torque Specs: 40-50 In/Lbs; 4.6-5.7 Nm
5	GM010071	4	S	SCREW Torque Specs: 20-30 In/Lbs; 2.3-3.5 Nm
6	GM465237	1		COVER
7	GM465238	1		FAN CASE, REAR
8	GM010172	6		SCREW Torque Specs: 20-30 In/Lbs; 2.3-3.5 Nm
9	GM010174	4	/P	SCREW Torque Specs: 40-50 In/Lbs; 4.6-5.7 Nm
10	GM465236	1		FAN

4600BP UT-26110  
Engine Internal



4600BP UT-26110  
Engine Internal

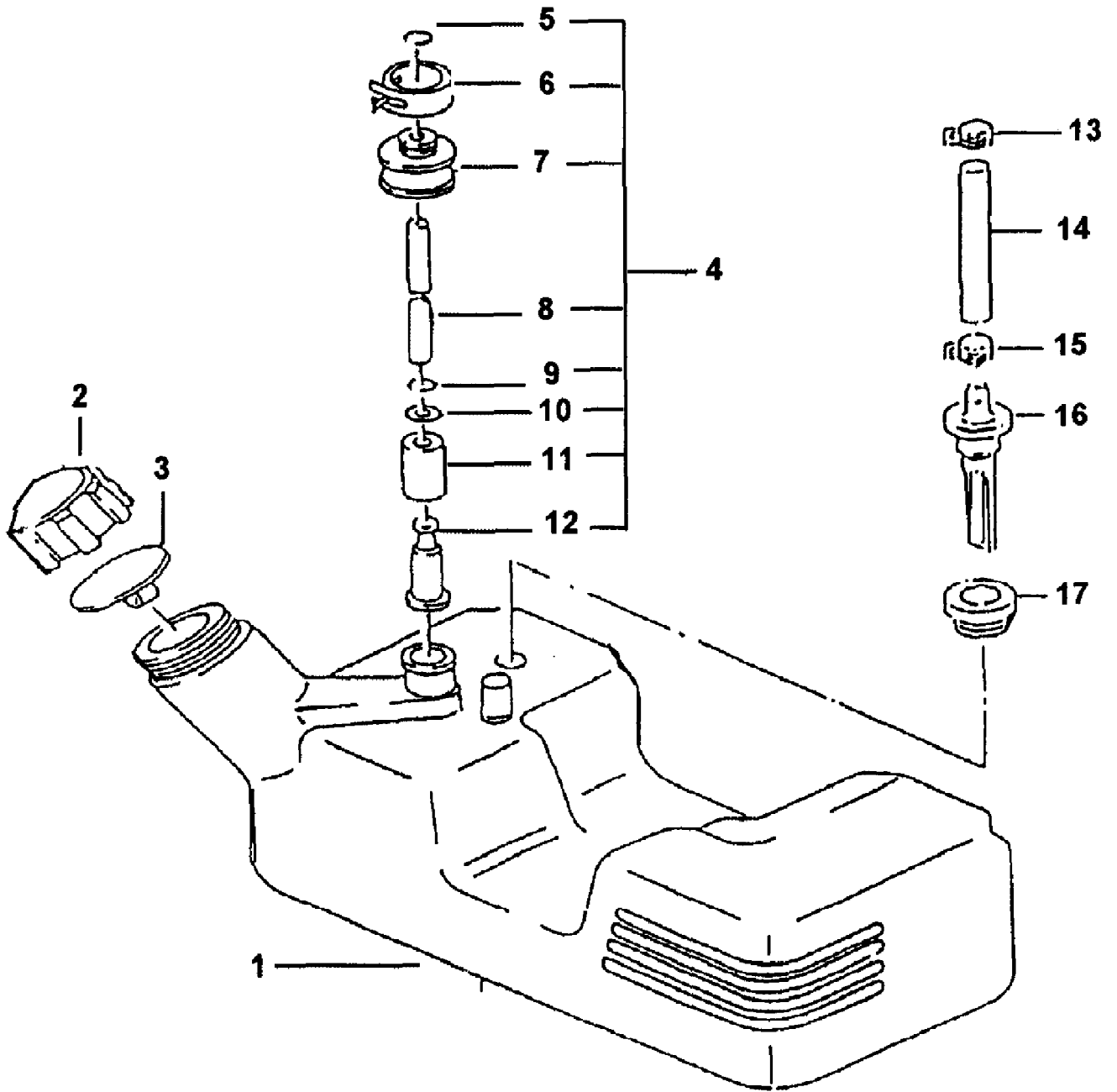
Page 8 of 20

Ref #	Part Number	Qty	S/P/F	Description
1	GM465242	1		SHROUD, ENGINE
2	GM030110	1		BOLT Torque Specs: 10-20 In/Lbs; 1.1-2.3 Nm
3	GM040128	1		WASHER
4	GM011005	1		SCREW Torque Specs: 10-20 In/Lbs; 1.1-2.3 Nm
5	GM465241	1		SHROUD, ENGINE
6	0789601	1		BOLT Torque Specs: 40-50 In/Lbs; 4.6-5.7 Nm
7	A0789641	1		CYLINDER
8	GM467412	1		GASKET, CYLINDER
9	GM460221	1		CRANKCASE
10	0789602	1	/P	SEAL
11	0789603	1	/P	BEARING
12	0789603	1	/P	BEARING
13	GM101003	2		PIN DOWEL
14	GM460220	1		CRANKCASE
15	GM467411	1		GASKET, CRANKCASE
16	0789602	1	/P	SEAL
17	GM467413	1		GASKET
18	GM011003	1		SCREW Torque Specs: 20-30 In/Lbs; 2.3-3.5 Nm
19	GM011004	1		SCREW Torque Specs: 40-50 In/Lbs; 4.6-5.7 Nm
20	A09104	1	/P	PISTON, ASSY.
21	GM466710	2		RING SET, PISTON
22	0789607	1	/P	SHIM T=0.10
	0789608	1		SHIM T=0.20
	0789609	1		SHIM T=0.60
23	A09090	1		CRANKSHAFT ASSY.
24	0789611	1	/P	BEARING



4600BP UT-26110  
Fuel Tank

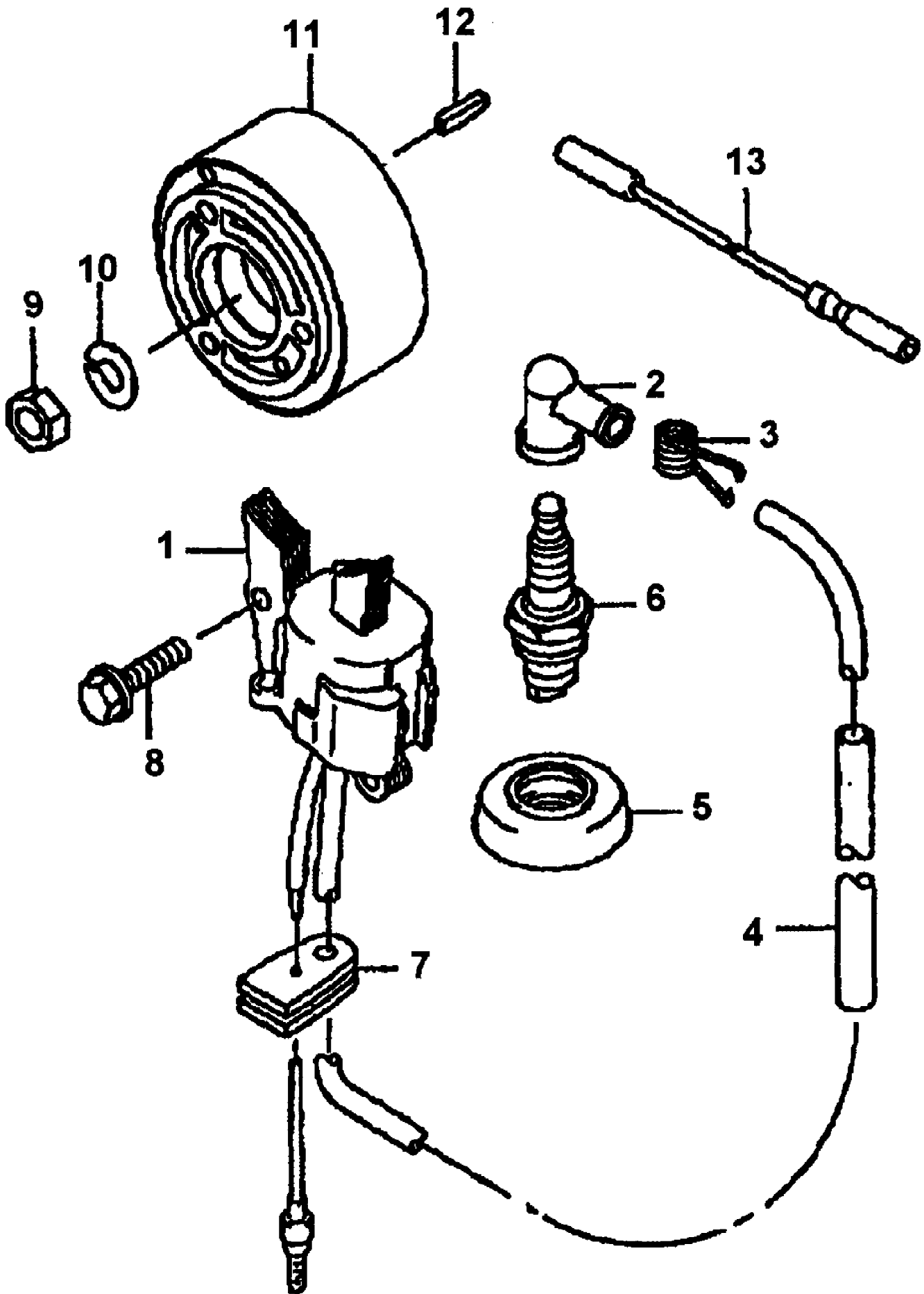
Page 9 of 20



4600BP UT-26110  
Fuel Tank

Page 10 of 20

Ref #	Part Number	Qty	S/P/F	Description
1	A09091	1		FUEL TANK ASSY.
2	GM465407	1		TANK CAP
3	GM465402	1		BREATHER, TANK CAP
4	GM465404	1		FUEL FILTER ASSY.
5	0789624	1		CLAMP
6	0789625	1		CLAMP
7	GM465408	1		JOINT
8	GM465412	1		FUEL TUBE
9	0789624	1		CLAMP
10	GM465415	1		WASHER
11	GM465403	1	S	FUEL FILTER
12	GM465401	1		WEIGHT
13	0789627	1		CLAMP
14	GM465414	1		TUBE
15	0789627	1		CLAMP
16	GM465405	1		FUEL FILTER
17	GM465413	1		SEAL



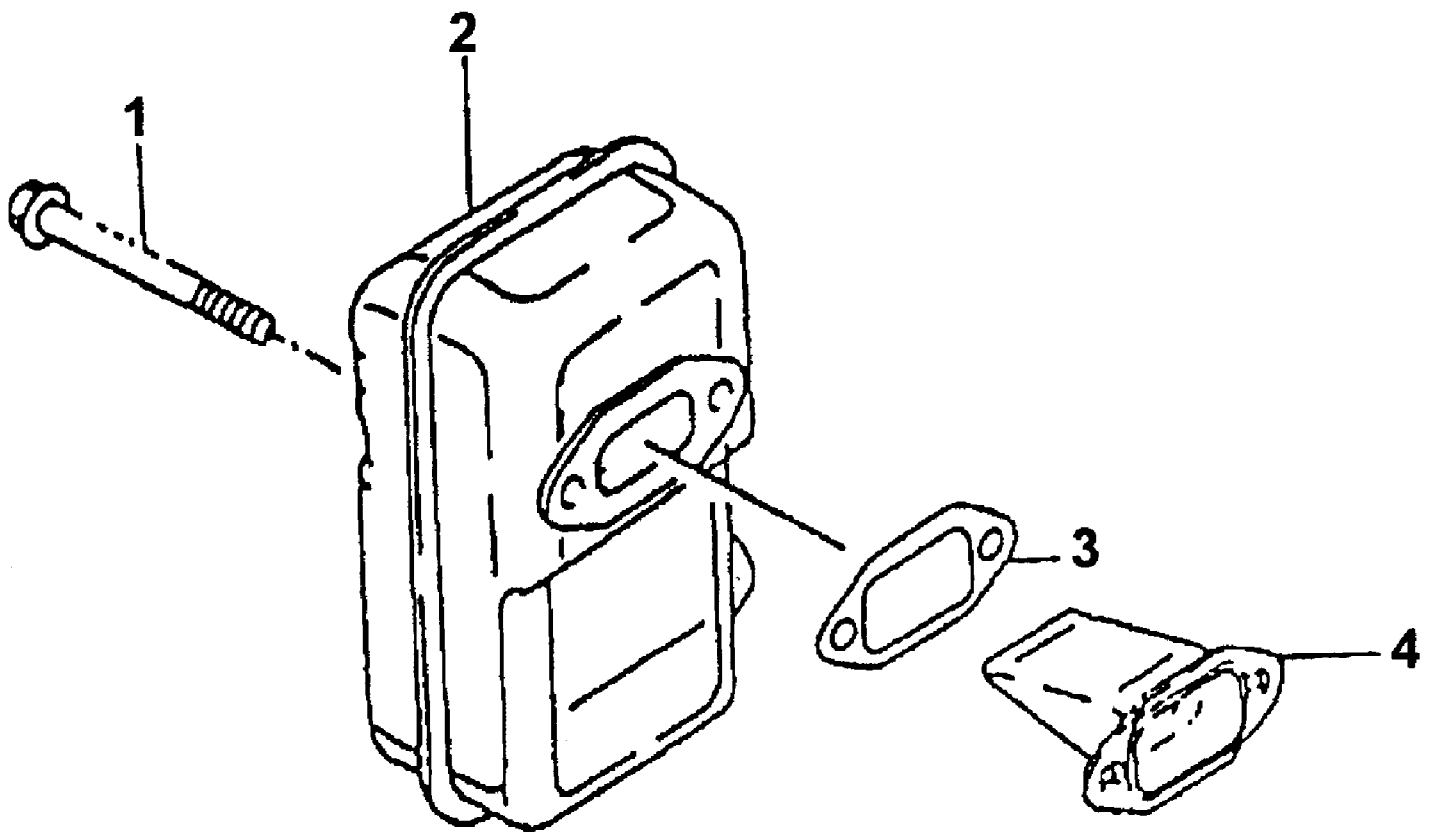
4600BP UT-26110  
Ignition

Page 12 of 20

Ref #	Part Number	Qty	S/P/F	Description
1	A09105	1	S	COIL ASSY.
2	0789615	1	/P	CAP, BOOT
3	0789614	1	/P	TERMINAL
4	GM464018	1		TUBE, WIRE
5	GM464017	1		BOOT
6	GM273901	1		SPARK PLUG
7	0789617	1		GROMMET
8	GM030111	2		BOLT Torque Specs: 20-30 In/Lbs; 2.3-3.5 Nm
9	GM050078	1		NUT Torque Specs: 100-120 In/Lbs; 11.5-13.8 Nm
10	0789612	1		WASHER
11	0789613	1		FLYWHEEL
12	GM467608	1		KEY
13	0789616	1		LEAD WIRE

4600BP UT-26110  
Muffler

Page 13 of 20

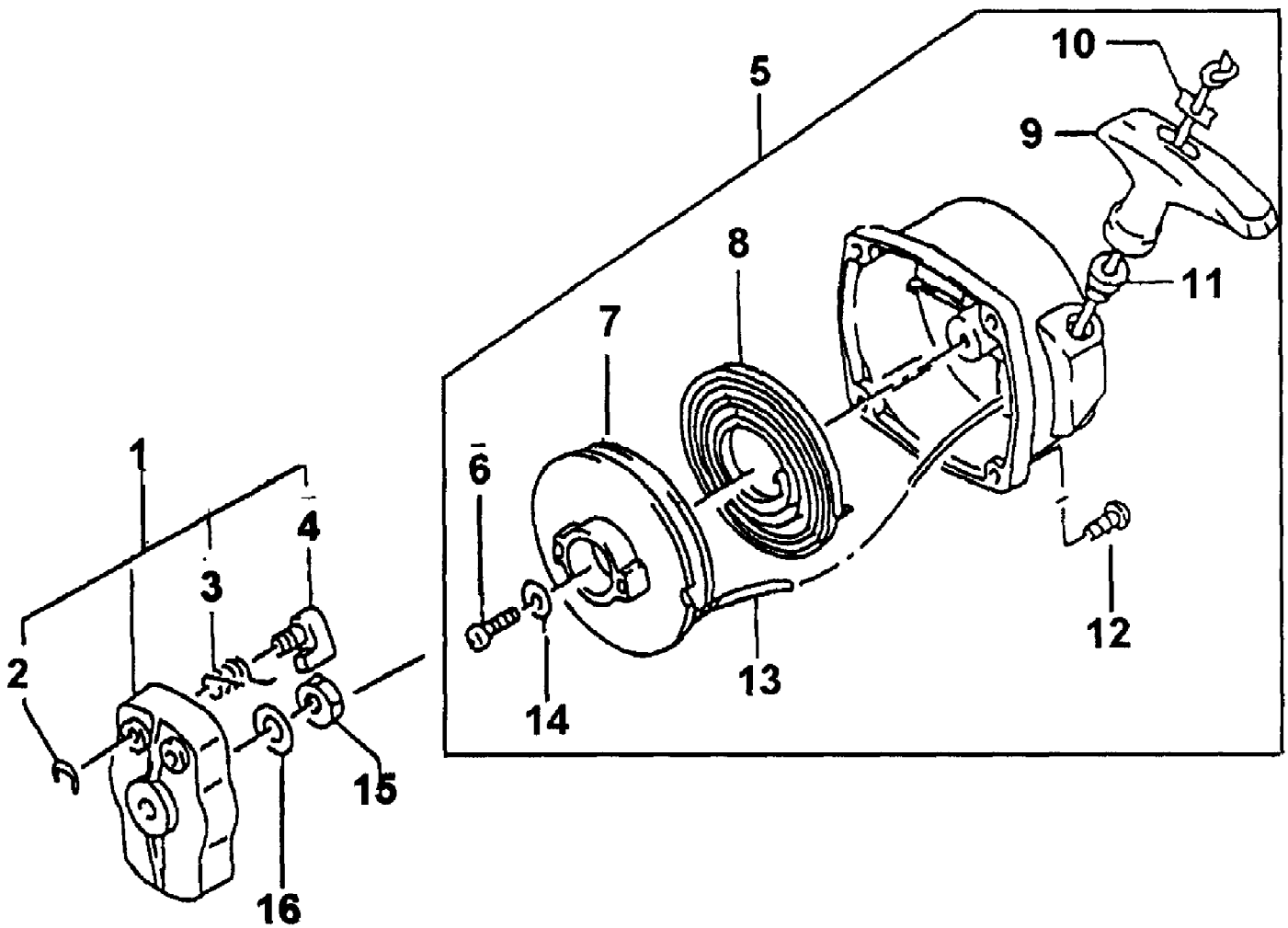


4600BP UT-26110  
Muffler

Page 14 of 20

Ref #	Part Number	Qty	S/P/F	Description
1	GM468209	2		BOLT Torque Specs: 30-40 In/Lbs; 3.4-4.6 Nm
2	A09106	1	/P	MUFFLER ASSY.
3	GM468201	2		GASKET
4	GM468206	1		SPARK ARRESTOR

4600BP UT-26110  
Starter



4600BP UT-26110  
Starter

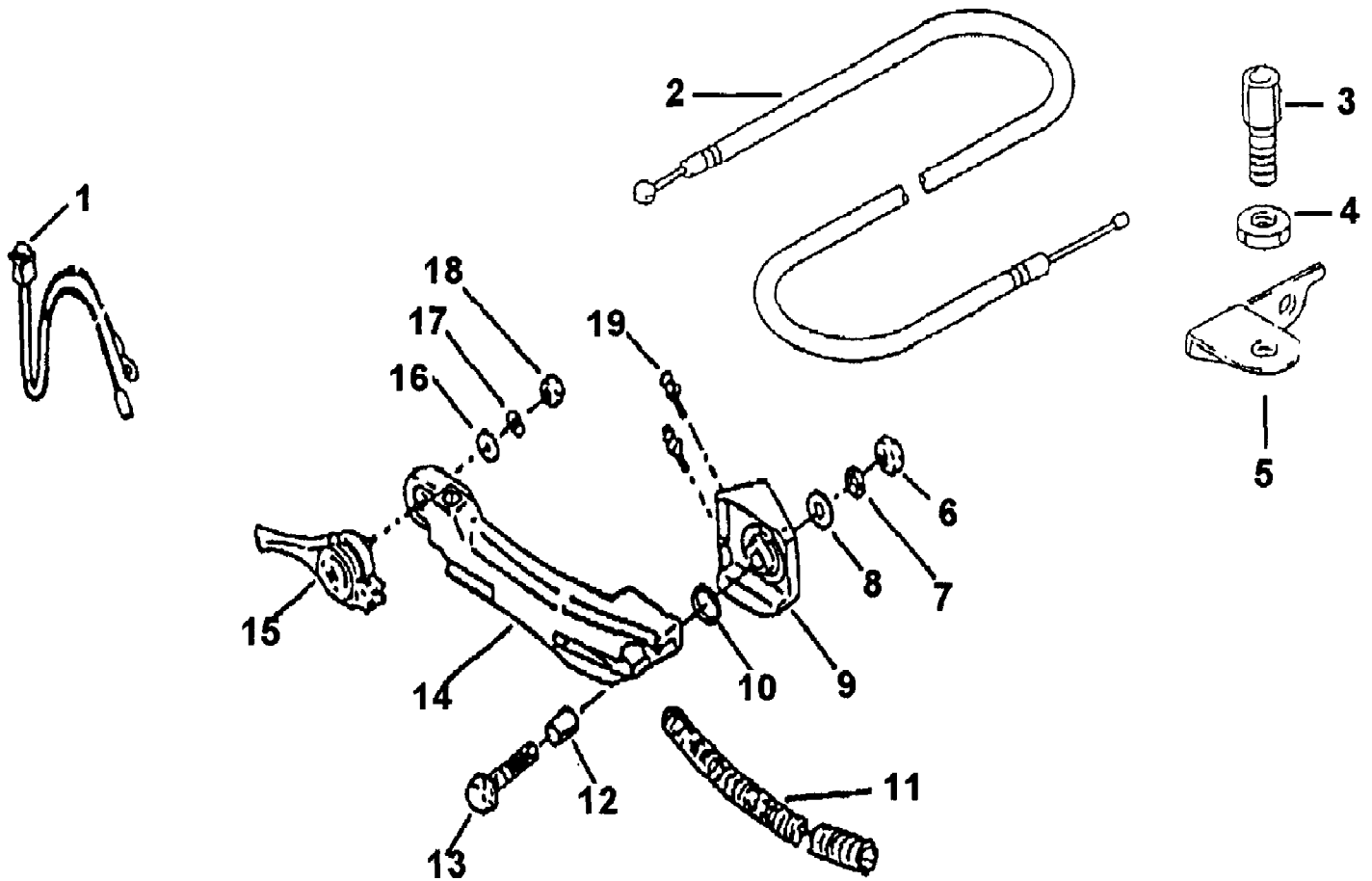
Page 16 of 20

Ref #	Part Number	Qty	S/P/F	Description
1	GM467315	1	S	PULLEY ASSY.
2	0789623	1	/P	SNAP RING
3	GM467324	1		SPRING, RETURN
4	GM467311	1		PAWL
5	GM467317	1		STARTER ASSY.
6	GM467321	1		SCREW
7	GM467318	1		STARTER REEL
8	GM467323	1		SPRING, RECOIL
9	GM467314	1		GRIP
10	GM467312	1		PLATE, ROPE
11	GM467310	1		ROPE GUIDE
12	GM467326	4		SCREW Torque Specs: 25-35 In/Lbs; 2.9-4.0 Nm
13	GM467319	1		ROPE
14	GM467325	1		WASHER
15	GM467327	1		NUT Torque Specs: 100-120 In/Lbs; 11.5-13.8 Nm
16	GM467238	1		WASHER



4600BP UT-26110  
Throttle

Page 17 of 20



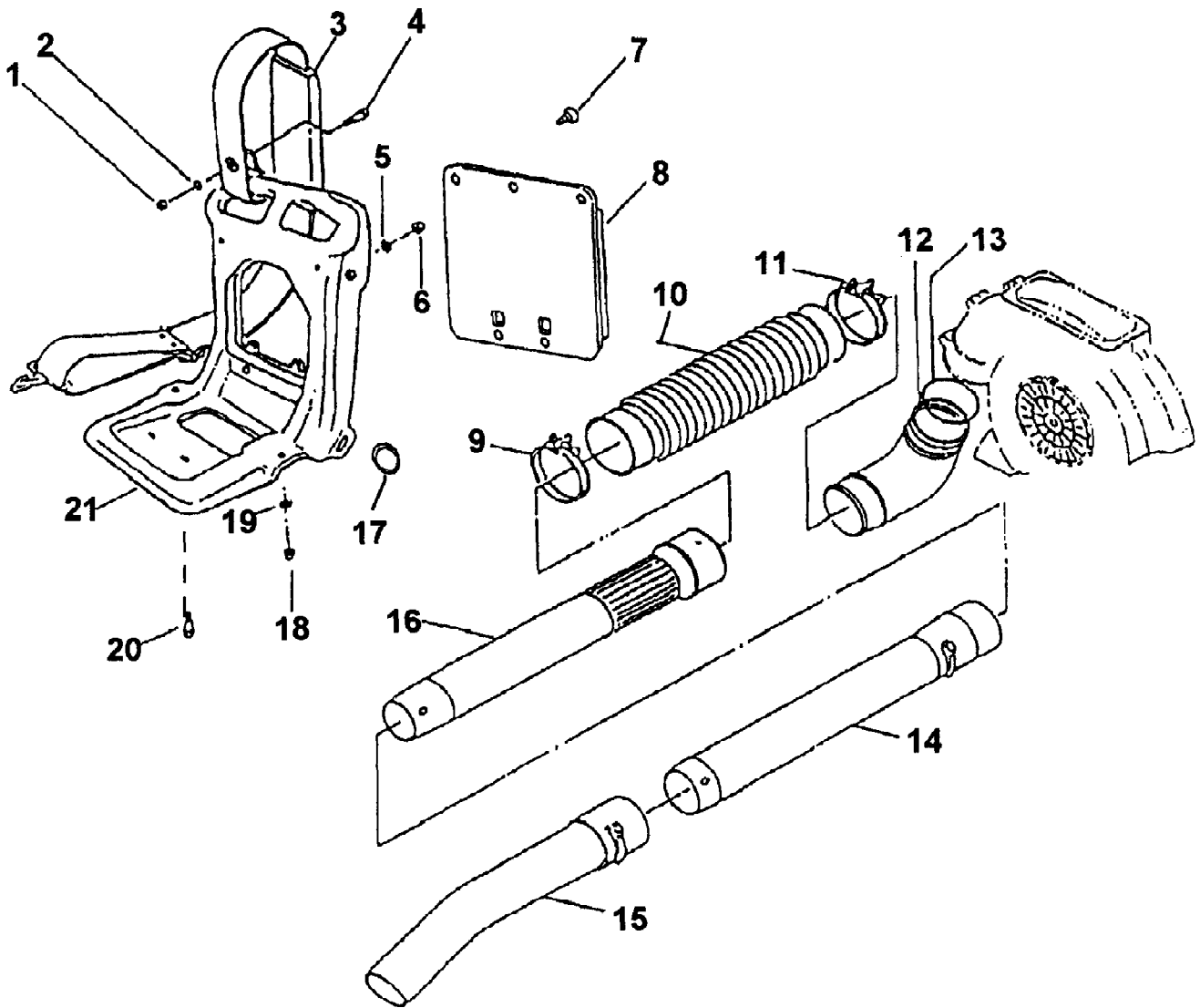
4600BP UT-26110  
Throttle

Page 18 of 20

Ref #	Part Number	Qty	S/P/F	Description
1	GM463101	1		STOP SWITCH
2	0789629	1		THROTTLE CABLE
3	0789630	1	/P	CABLE ADJUSTER
4	GM050079	1		NUT Torque Specs: 5-20 In/Lbs; .6-2.3 Nm
5	GM467235	1		BRACKET
6	0789631	1		NUT Torque Specs: 20-30 In/Lbs; 2.3-3.5 Nm
7	GM041112	1		LOCK WASHER
8	GM040126	1		FLAT WASHER
9	GM465239	1		STAY
10	GM465703	1		"O" RING
11	GM463102	1		TUBE
12	GM467010	1		SPACER
13	0789632	1		BOLT Torque Specs: 20-30 In/Lbs; 2.3-3.5 Nm
14	GM465240	1		STAY
15	GM460112	1		THROTTLE LEVER
16	GM040127	1		FLAT WASHER
17	0789633	1		LOCK WASHER
18	GM050076	1	S	NUT Torque Specs: 10-20 In/Lbs; 1.1-2.3 Nm
19	0789634	2		SCREW Torque Specs: 10-20 In/Lbs; 1.1-2.3 Nm

4600BP UT-26110  
Tubes & Frame

Page 19 of 20



4600BP UT-26110  
Tubes & Frame

Page 20 of 20

Ref #	Part Number	Qty	S/P/F	Description
1	GM050073	2		NUT Torque Specs: 10-20 In/Lbs; 1.1-2.3 Nm
2	GM040125	2		WASHER
3	0789637	2		SHOULDER STRAP
4	0789638	2		SCREW Torque Specs: 10-20 In/Lbs; 1.1-2.3 Nm
5	GM040125	4		WASHER
6	GM050074	4	S	NUT Torque Specs: 30-40 In/Lbs; 3.4-4.6 Nm
7	GM100048	5		CLIP
8	0789639	1		KNAPSACK PAD
9	0789640	1		HOSE BAND
10	GM465519	1		FLEXIBLE TUBE
11	0789640	1		HOSE BAND
12	GM465233	1		ELBOW TUBE
13	GM465702	1		"O" RING
14	GM465520	1		MIDDLE TUBE
15	GM465521	1		BENT TUBE
16	GM465232	1		BASE TUBE
17	GM467009	2		RING
18	GM050074	2	S	NUT Torque Specs: 30-40 In/Lbs; 3.4-4.6 Nm
19	GM040125	2		WASHER
20	0789641	2	S	SCREW Torque Specs: 30-40 In/Lbs; 3.4-4.6 Nm
21	0789644	1	S	FRAME, KNAPSACK