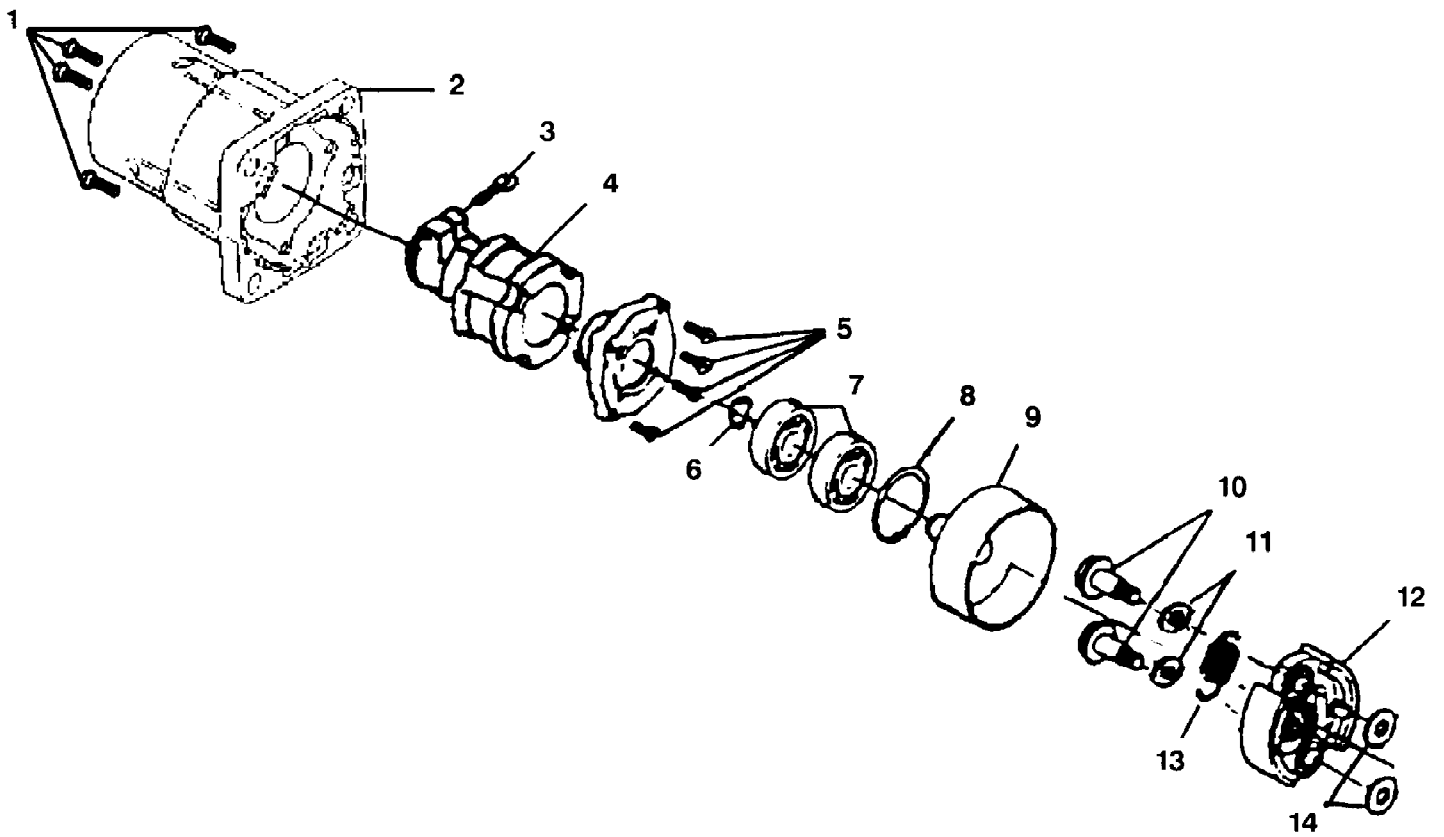


3000b UT-26035-B
Air Filter & Carburetor

Page 2 of 24

Ref #	Part Number	Qty	S/P/F	Description
1	07752	1	S	SCREW & WASHER Torque Specs: 35-45 In/Lbs; 4-5 Nm
2	07754	1		LABEL, CHOKE
3	07751	1		COVER
4	07753	1		NUT
5	07750	1		ELEMENT
6	07749	2		SCREW & WASHER Torque Specs: 35-45 In/Lbs; 4-5 Nm
7	07748	1		BRACKET
8	07747	1		BASE
9	A08001	1		CARBURETOR (26cc)
10	07743	1		GASKET CARB
11	GM002804	2		SCREW & WASHER Torque Specs: 35-45 In/Lbs; 4-5 Nm
12	07742	1		INSULATOR
13	07741	1		GASKET, INSULATOR

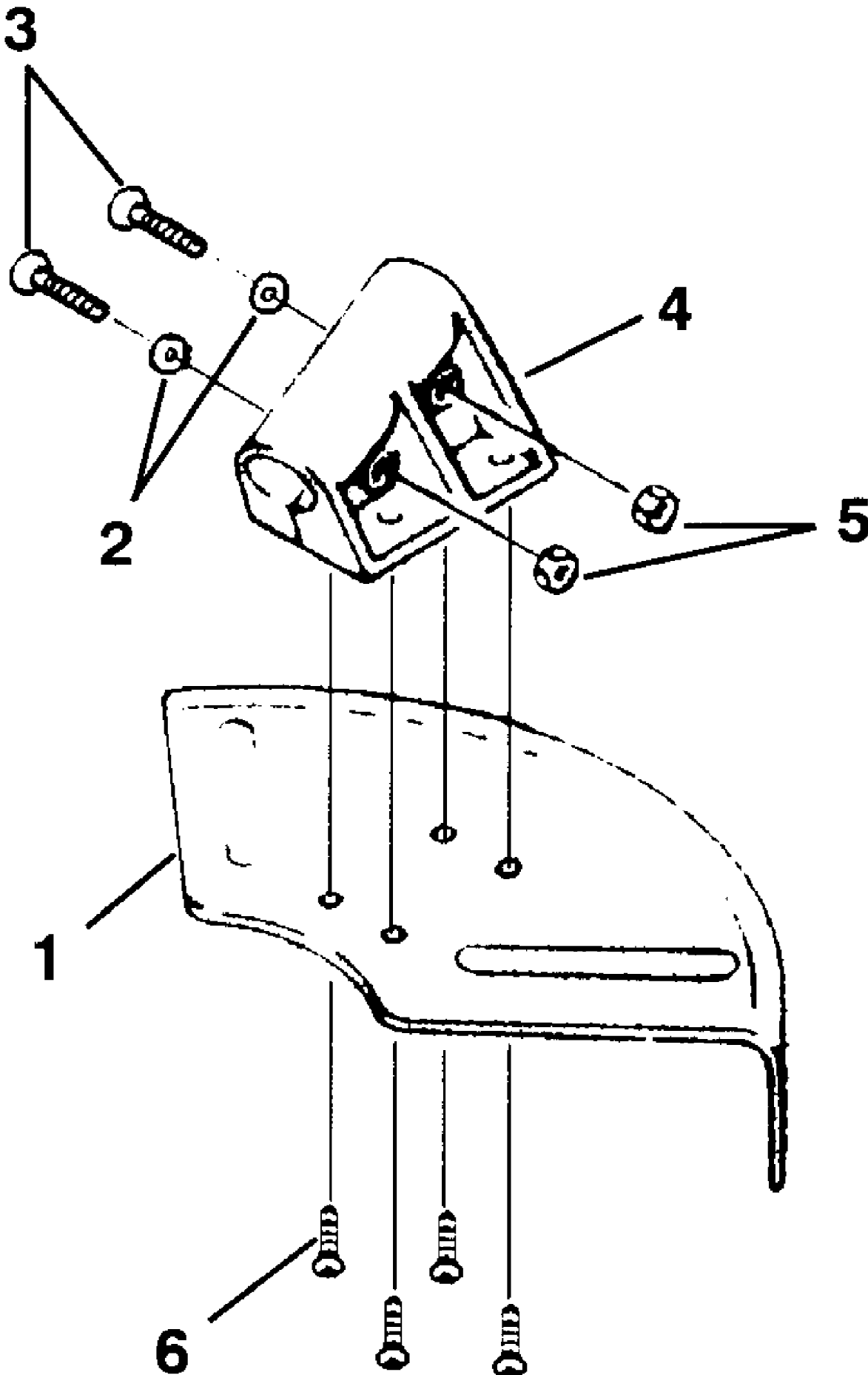
3000b UT-26035-B
Clutch



3000b UT-26035-B
Clutch

Page 4 of 24

Ref #	Part Number	Qty	S/P/F	Description
1	GM030005	4	/P	BOLT & WASHER Torque Specs: 55-65 In/Lbs; 5.9-7.8 Nm
2	A07848	1	/P	CLUTCH CASE ASSY.
3	08980	1	/P	BOLT Torque Specs: 55-65 In/Lbs; 5.9-7.8 Nm
4	08348	1		INSERT RING
5	GM197104	4	/P	BOLT, ALLEN HEAD Torque Specs: 35-45 In/Lbs; 4-5 Nm
6	08977	1	/P	SNAP RING
7	0797058	2	/P	BEARING
8	08976	1	/P	SNAP RING
9	08979	1	/P	CLUTCH DRUM
10	PS07766	2	/P	BOLT, CLUTCH Torque Specs: 55-65 In/Lbs; 5.9-7.8 Nm
11	07768	2		WASHER, CLUTCH BOLT
12	A07764	1	/P	CLUTCH SHOE ASSY.
13	GM287901	1		SPRING, CLUTCH
14	07767	2		WASHER, CLUTCH



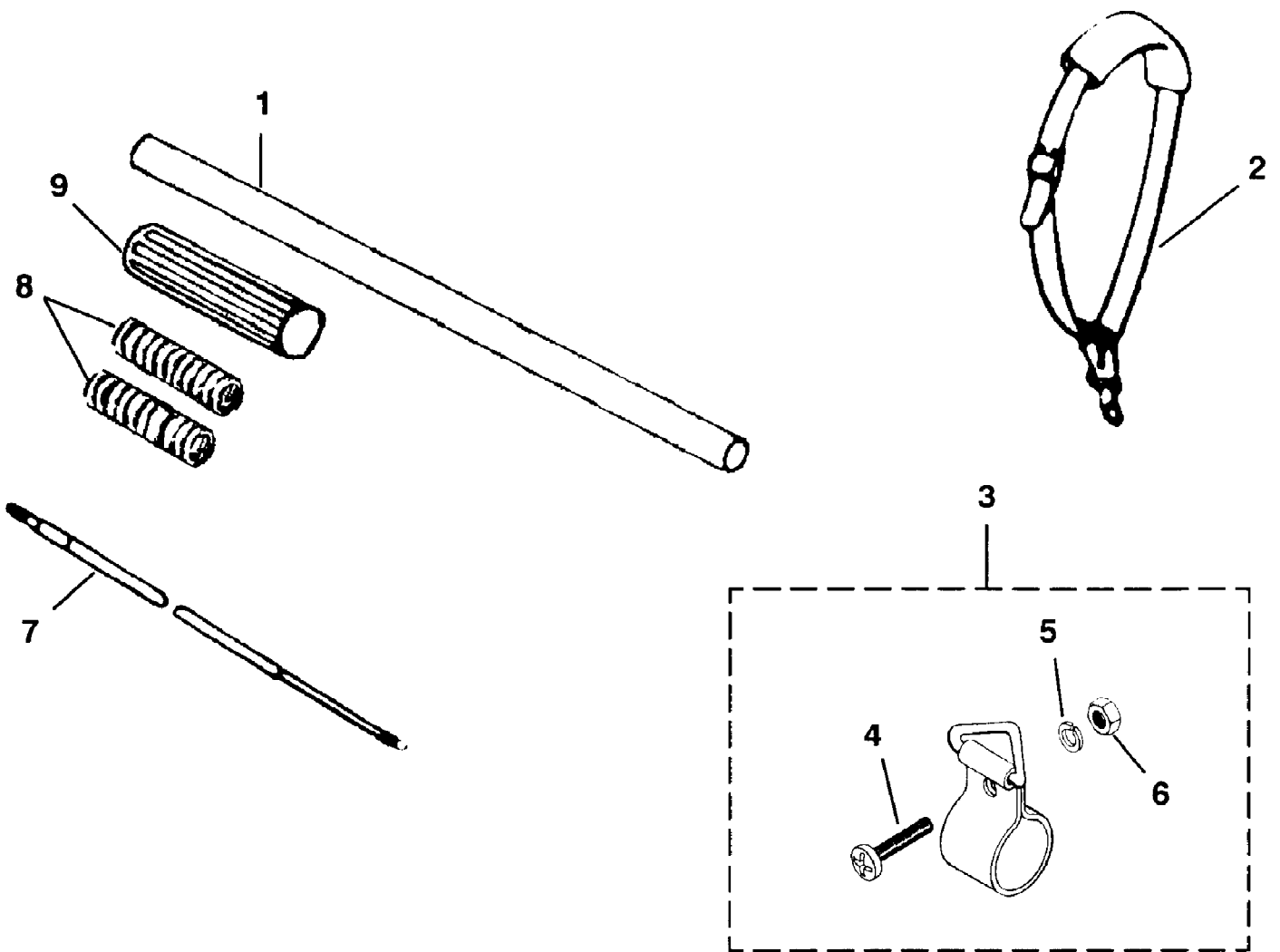
3000b UT-26035-B
Deflector

Page 6 of 24

Ref #	Part Number	Qty	S/P/F	Description
	GM24700A	1	/P	BLADE GUARD ASSY
1	GM247001	1	S	BLADE GUARD
2	GM040002	2		WASHER
3	GM011417	2	/P	SCREW Torque Specs: 25-35 In/Lbs; 2.8-4.0 Nm
4	GM245201	1		BRACKET, GUARD
5	GM051012	2		NUT
6	GM011423	4	S	SCREW, SELF TAPPING Torque Specs: 35-45 In/Lbs; 4-5 Nm

3000b UT-26035-B
Driveshaft

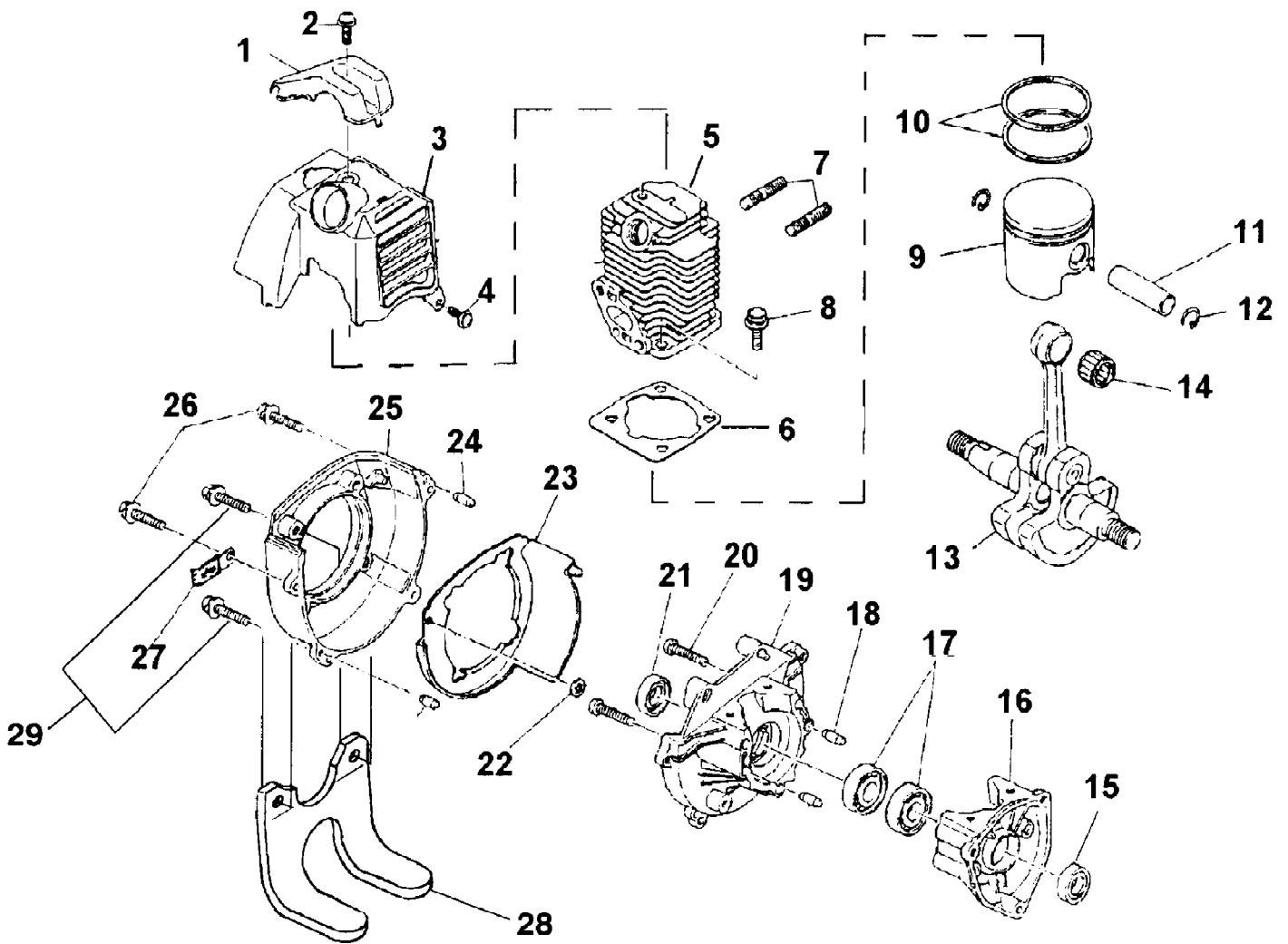
Page 7 of 24



3000b UT-26035-B
Driveshaft

Page 8 of 24

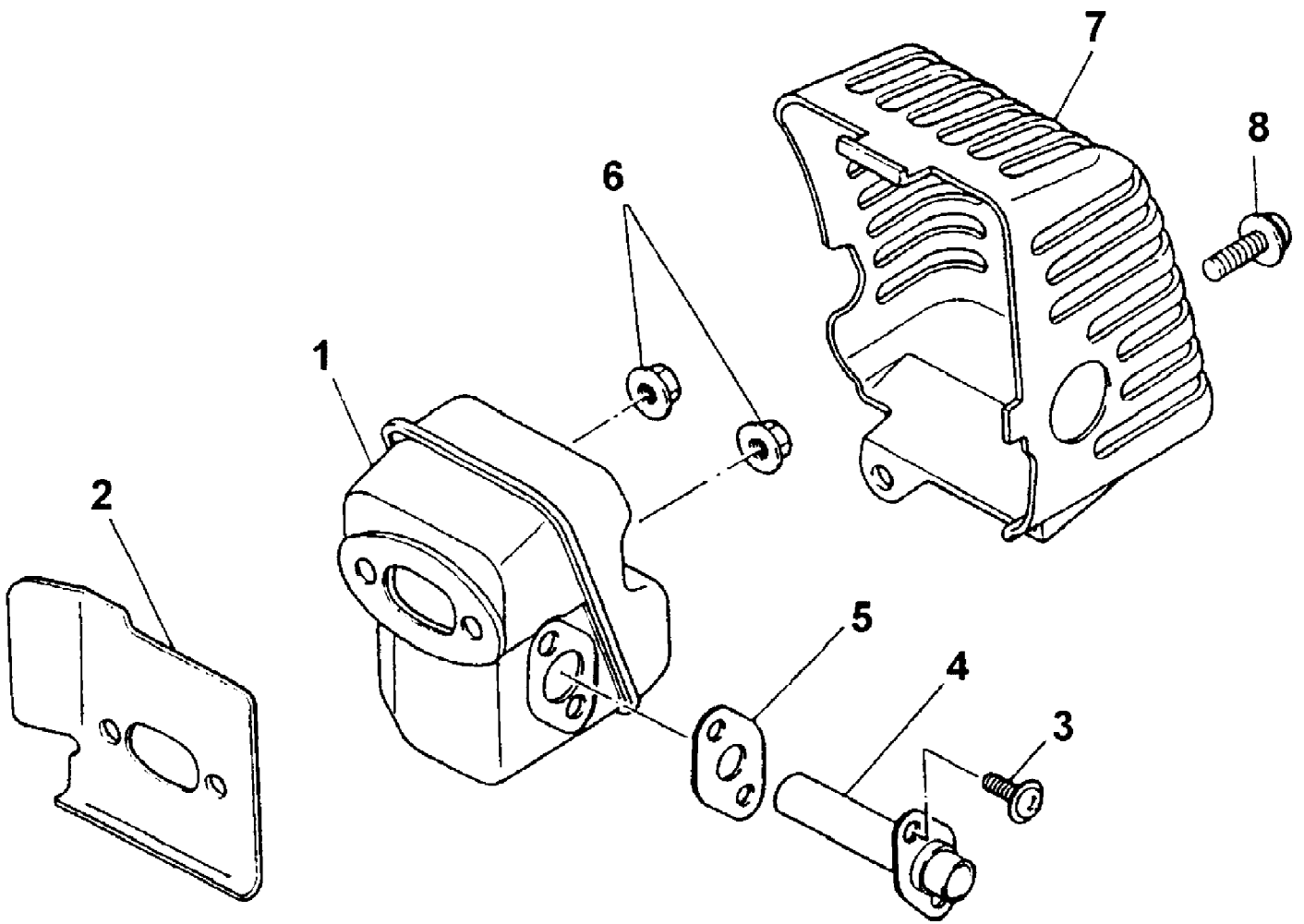
Ref #	Part Number	Qty	S/P/F	Description
1	A08982	1		DRIVESHAFT TUBE ASSY. (3000b)
1	A08992	1	/P	DRIVESHAFT TUBE ASSY. (3000j)
2	GM280311	1	S	HARNESS STRAP
3	GM300245	1	S	HANGER ASSY.
4	GM010002	1	/P	HEX BOLT
5	GM041101	1	/P	WASHER
6	GM050003	1		NUT Torque Specs: 5-30 In/Lbs; 5-3.4 Nm
7	GM306707	1		DRIVESHAFT
8	00737	2	/P	SPRING ANTI-VIBE (3000j ONLY)
9	A06261	1	/P	GRIP ANTI-VIBE (3000j ONLY)



3000b UT-26035-B
Engine Internal

Page 10 of 24

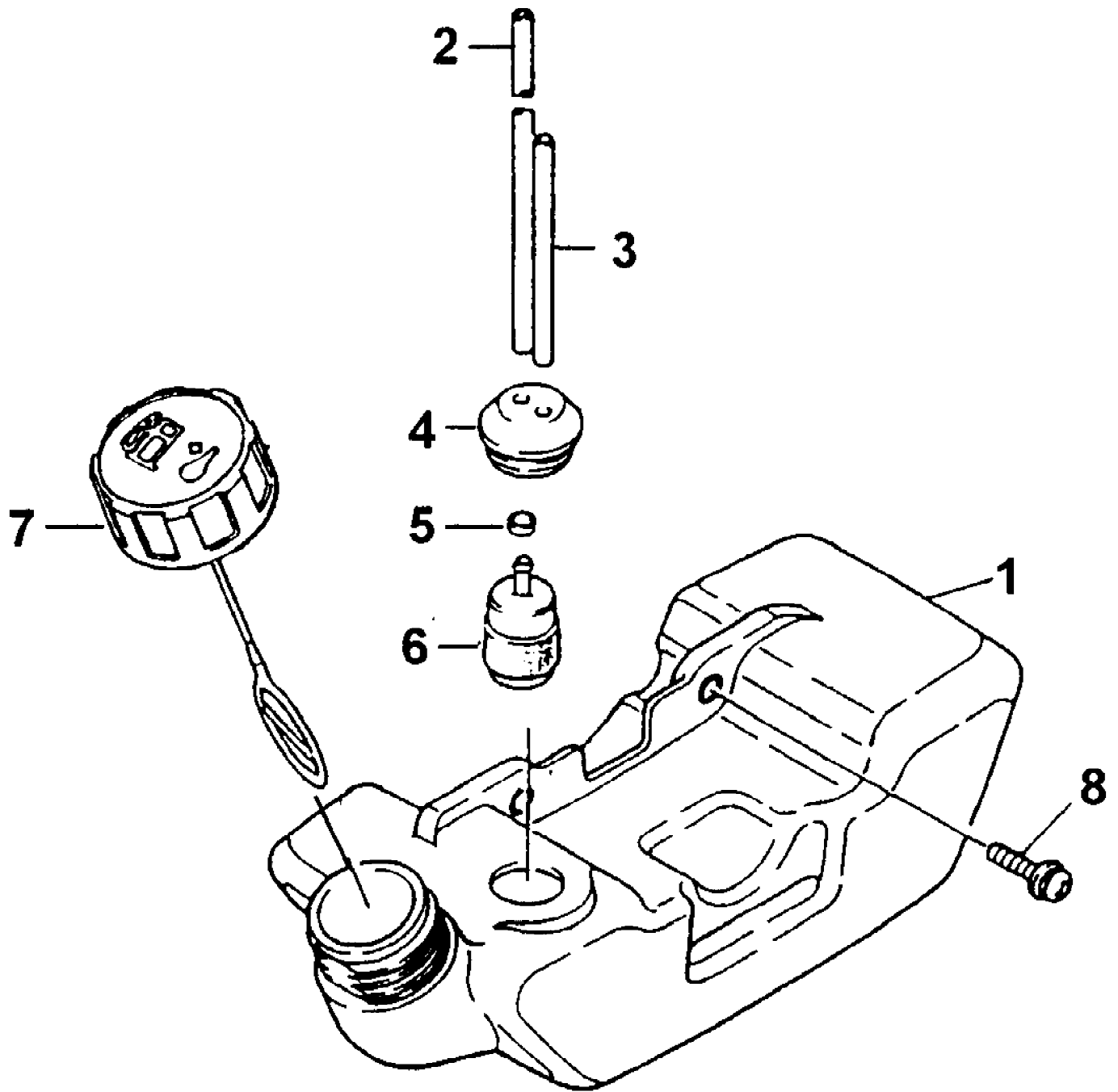
Ref #	Part Number	Qty	S/P/F	Description
1	07722	1		GUARD, PLUG
2	07723	1		SCREW & WASHER Torque Specs: 35-45 In/Lbs; 4-5 Nm
3	07721	1		COVER, TOP
4	07724	1	/P	SCREW & WASHER Torque Specs: 35-45 In/Lbs; 4-5 Nm
5	A07889	1		CYLINDER ASSY (26cc)
6	07718	1		GASKET, CYLINDER
7	07720	2		STUD
8	07719	1		SCREW & WASHER Torque Specs: 35-45 In/Lbs; 4-5 Nm
9	A07891	1		PISTON ASSY (26cc)
10	07733	2		RING, PISTON (26cc)
11		1		PIN, PISTON
12		2		CLIP, PISTON
13	A07893	1	/P	CRANKSHAFT ASSY (26cc)
14	GM071410	1	/P	BEARING
15	07708	1	/P	OIL SEAL
16	07707	1		CASE, STARTER
17	GM071009	2		BEARING
18	07709	2		PIN, DOWEL
19	07706	1		CASE, DRIVE
20	GM002805	3		SCREW Torque Specs: 35-45 In/Lbs; 4-5 Nm
21	GM081502	1	S	OIL SEAL
22	07712	1		NUT
23	07711	1		NOSE
24	07710	2		PIN, DOWEL
25	07713	1		CASE, FAN
26	07714	2		BOLT & WASHER Torque Specs: 35-45 In/Lbs; 4-5 Nm
27	07725	1		CLAMP
28	A08887	1		ENGINE STAND
29	08888	2		SCREW (M5 X 20) Torque Specs: 35-45 In/Lbs; 4-5 Nm



3000b UT-26035-B
Exhaust System

Page 12 of 24

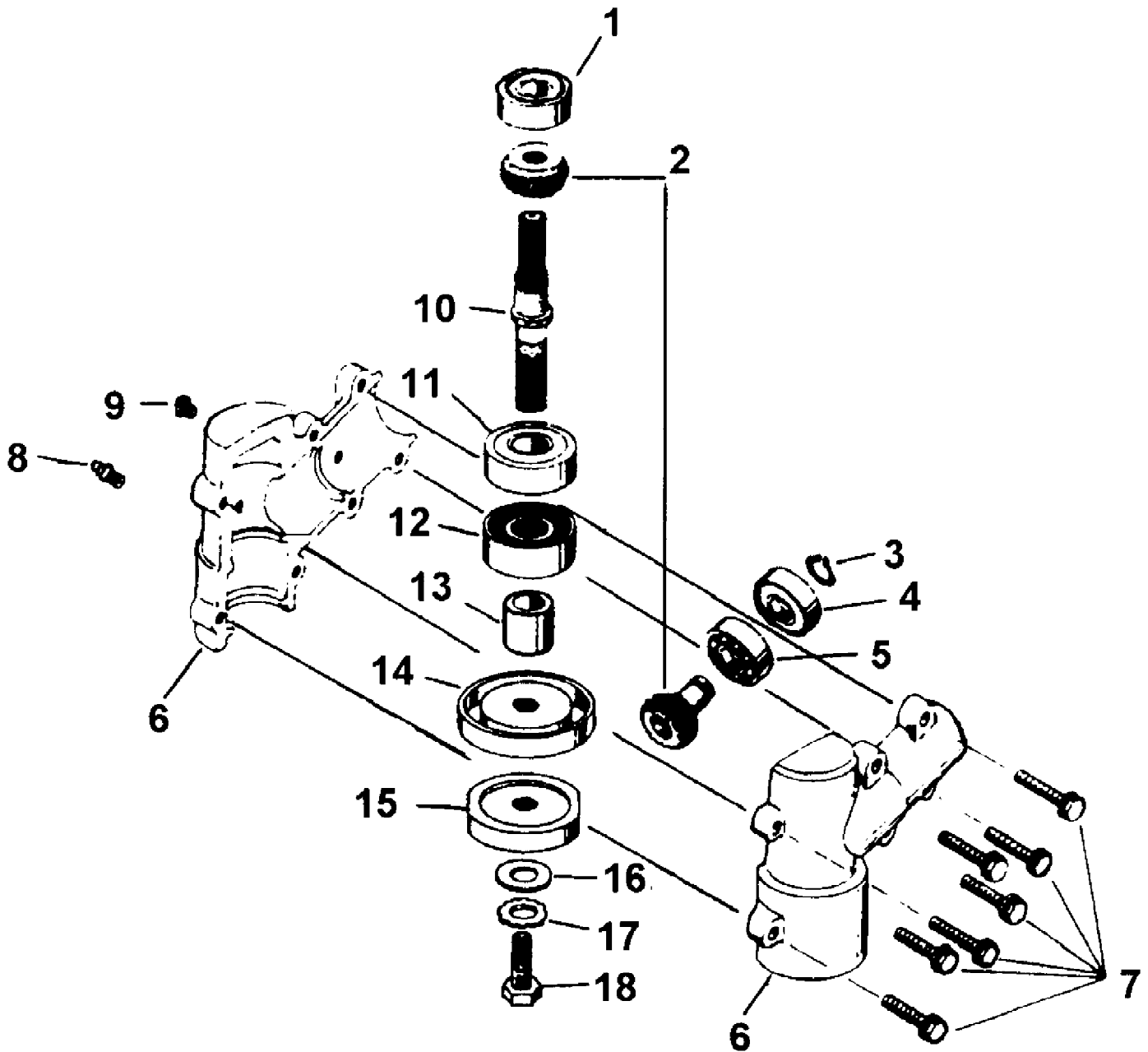
Ref #	Part Number	Qty	S/P/F	Description
1	A07894	1	/P	MUFFLER ASSY
2	07755	1		GASKET, MUFFLER
3	07761	2		SCREW & WASHER Torque Specs: 35-45 In/Lbs; 4-5 Nm
4	07758	1		TAIL PIPE
5	PS07759	1	/P	GASKET, TAIL PIPE
6	GM050069	2		NUT, FLANGE Torque Specs: 35-45 In/Lbs; 4-5 Nm
7	PS07762	1	/P	COVER, MUFFLER
8	07763	1		SCREW & WASHER Torque Specs: 35-45 In/Lbs; 4-5 Nm



3000b UT-26035-B
Fuel Tank

Page 14 of 24

Ref #	Part Number	Qty	S/P/F	Description
1	A07783	1		FUEL TANK ASSY (26cc)
2	07790	1		TUBE, FUEL
3	07791	1		TUBE, FUEL
4	07789	1		PLUG
5	07792	1		BUSHING
6	07793	1		FILTER, FUEL
7	07784	1		TANK CAP
8	07794	2	/P	SCREW & WASHER Torque Specs: 35-45 In/Lbs; 4-5 Nm



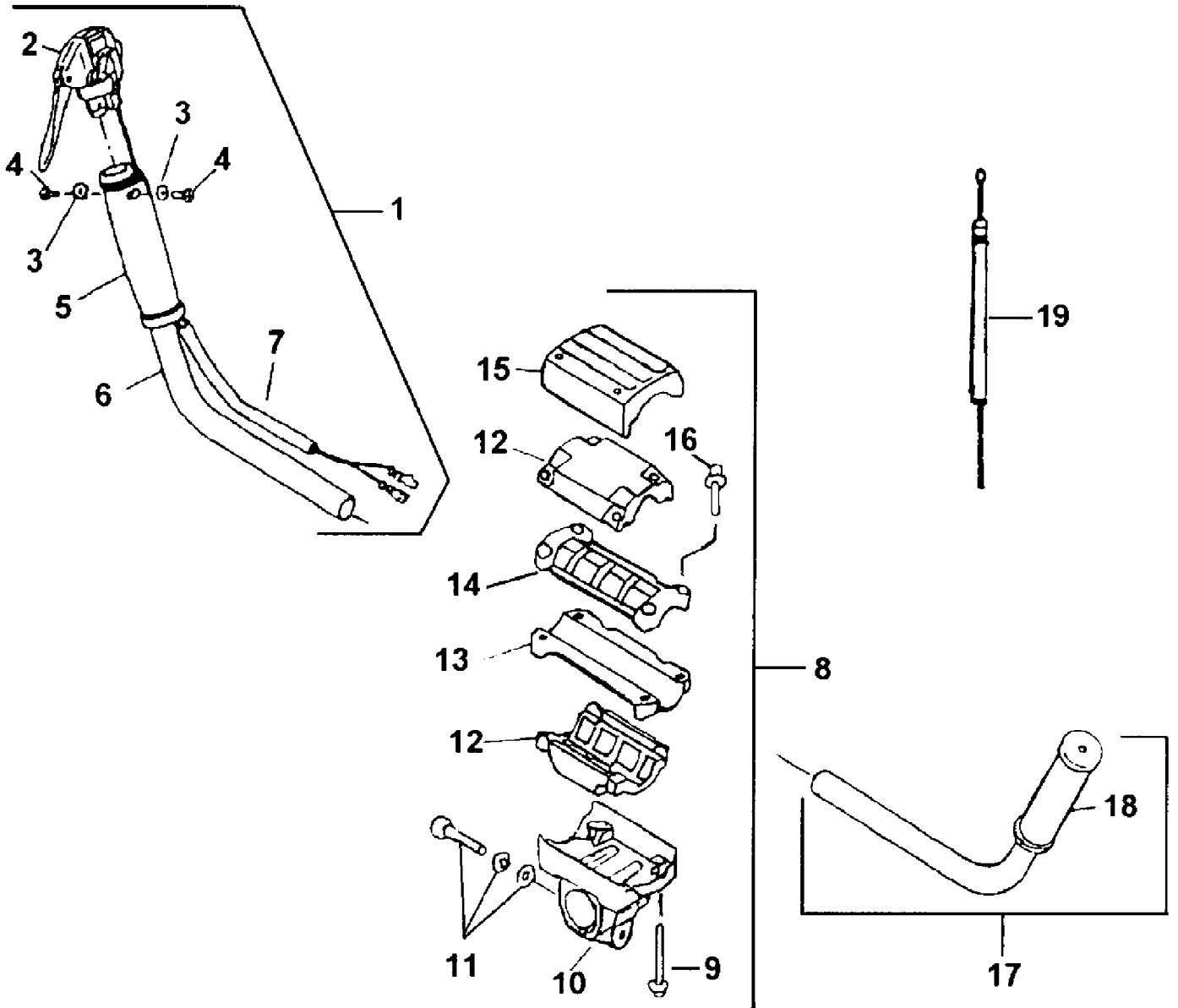
3000b UT-26035-B
Gearcase

Page 16 of 24

Ref #	Part Number	Qty	S/P/F	Description
	GM300353	1	S	GEARCASE ASSY.
1	09142	1	/P	BEARING
2	GM300624	1	/P	GEAR SET
3	GM060007	1		SNAP RING
4	09142	1	/P	BEARING
5	09143	1	/P	BEARING
6	GM300610	1	/P	HOUSING SET
7	825491	7	S	SCREW, SELF TAPPING Torque Specs: 55-65 In/Lbs; 6.2-7.3 Nm
8	GM286716	1	/P	GREASE FITTING
9	82459	1	/P	SCREW, SELF TAPPING Torque Specs: 35-45 In/Lbs; 4-5 Nm
10	GM300055	1		GEAR SHAFT
11	09146	1	/P	BEARING
12	GM080003	1	/P	SEAL
13	GM300065	1		COLLAR
14	GM300070	1		UPPER FLANGE WASHER
15	GM300075	1	S	LOWER FLANGE WASHER
16	GM041003	1	/P	WASHER, FLAT
17	GM040007	1	S	WASHER, LOCK
18	GM300080	1	S	BOLT Torque Specs: 55-65 In/Lbs; 6.2-7.3 Nm

3000b UT-26035-B
Handle & Throttle

Page 17 of 24



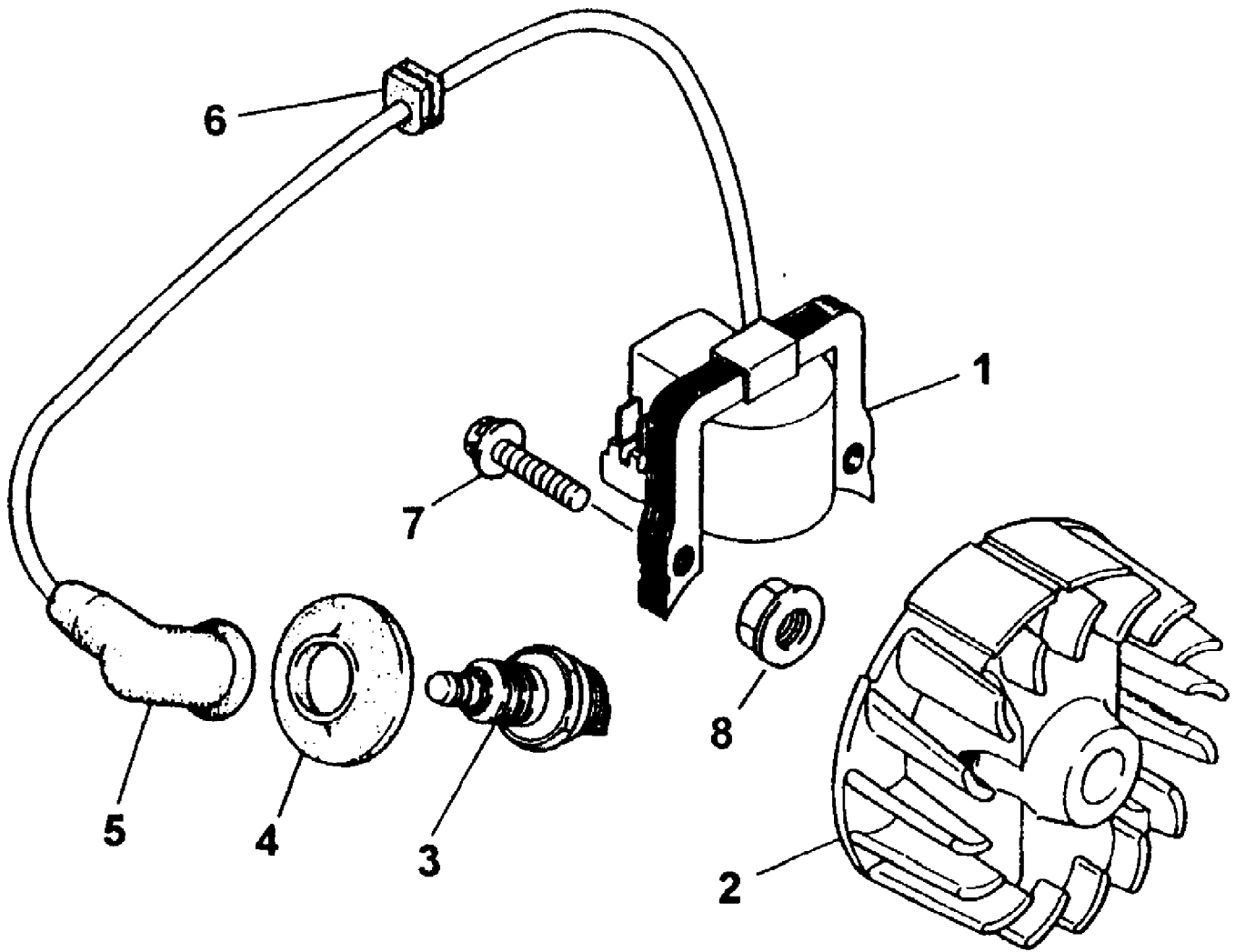
3000b UT-26035-B
Handle & Throttle

Page 18 of 24

Ref #	Part Number	Qty	S/P/F	Description
1	A08266	1	S	HANDLE ASSY R. H.
2	GM400386	1		THROTTLE ASSY.
3	GM040025	2	/P	WASHER
4	GM012302	2	S	SCREW Torque Specs: 5-20 In/Lbs; 5-23 Nm
5	GM405504	1		GRIP R.H.
6	GM406801	1		HANDLE & GRIP R.H.
7	GM403501	1		TUBE, HARNESS
8	GM400374	1		HANDLE JOINT ASSY.
9	03944	4	/P	BOLT & WASHER Torque Specs: 25-35 In/Lbs; 2.8-4.0 Nm
10	GM406112	1		HANDLE JOINT LOWER
11	GM012301	1	S	SCREW & WASHER Torque Specs: 35-45 In/Lbs; 3.9-4.8 Nm
12	GM405506	2		ISOLATING RUBBER
13	GM406113	1		PIPE FITTING LOWER
14	GM406114	1		PIPE FITTING UPPER
15	GM406111	1		HANDLE JOINT UPPER
16	GM032803	4	/P	SCREW Torque Specs: 25-35 In/Lbs; 2.8-4.0 Nm
17	GM406801	1		HANDLE & GRIP L.H.
18	GM405505	1		GRIP L.H.
19	GM287101	1	S	THROTTLE CABLE

3000b UT-26035-B
Ignition

Page 19 of 24



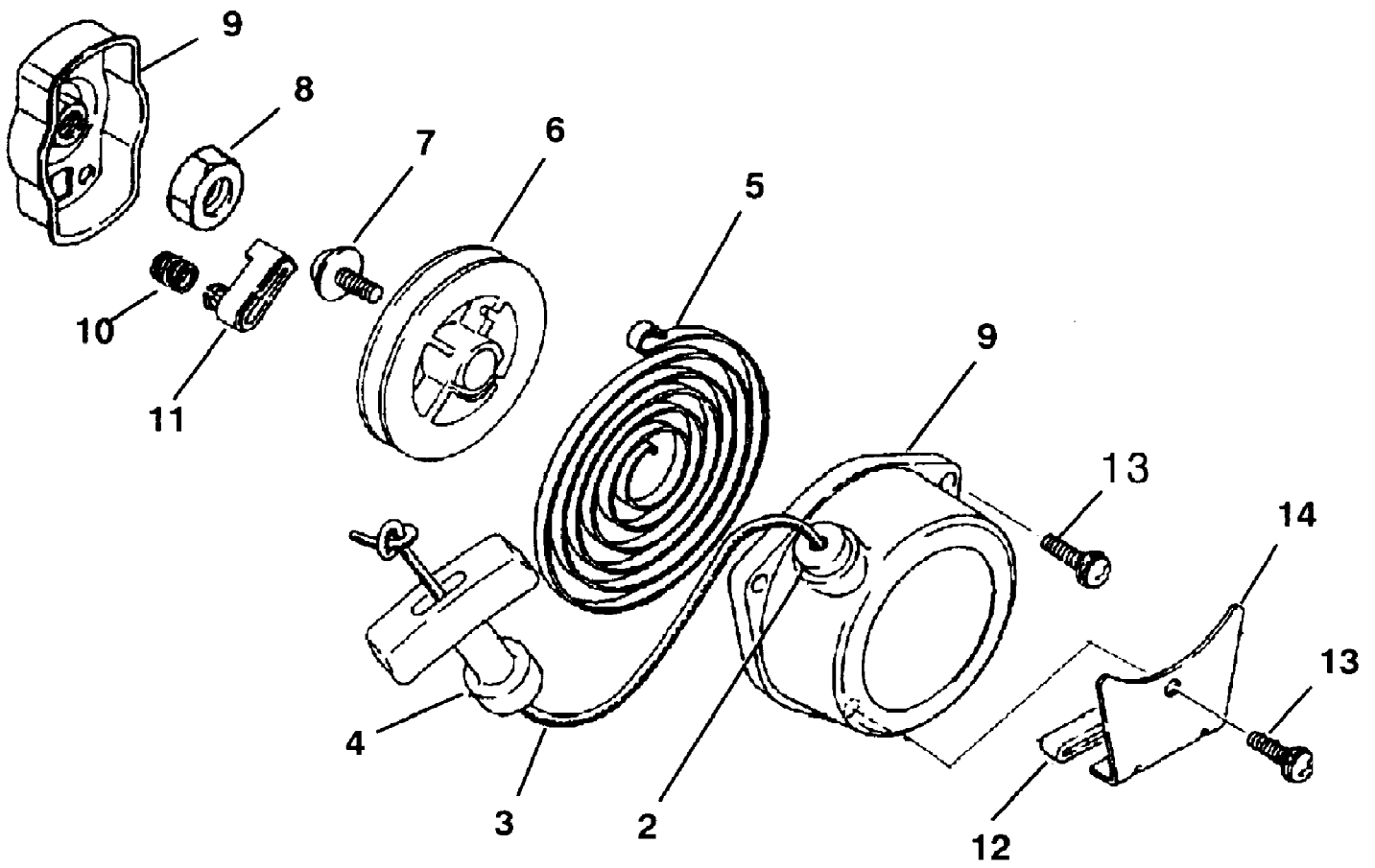
3000b UT-26035-B
Ignition

Page 20 of 24

Ref #	Part Number	Qty	S/P/F	Description
1	07736	1		COIL, IGNITION
2	07735	1		ROTOR w/key
3	GM190036	1	/P	SPARK PLUG
4	07739	1		CAP, GROMMET
5	07737	1	/P	CAP, PLUG
6	07738	1		GROMMET, WIRE
7	GM030104	2		BOLT & WASHER Torque Specs: 35-45 In/Lbs; 4-5 Nm
8	GM052804	1	/P	NUT Torque Specs: 69-87 In/Lbs; 7.8-9.8 Nm
?9	07740	1		WIRE, LEAD (NOT SHOWN)

3000b UT-26035-B
Starter

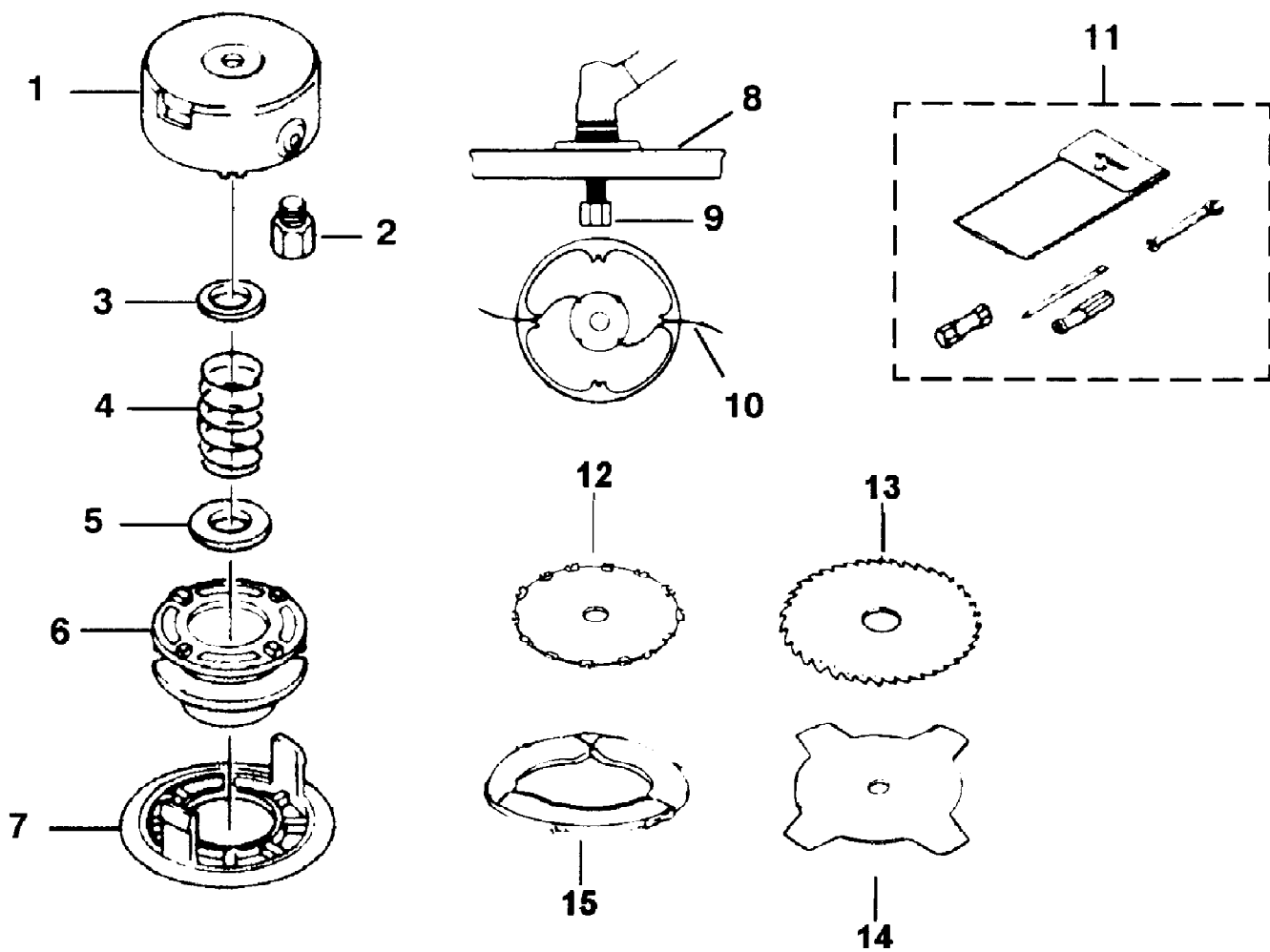
Page 21 of 24



3000b UT-26035-B
Starter

Page 22 of 24

Ref #	Part Number	Qty	S/P/F	Description
?1	A07769	1	/P	STARTER ASSY
2	07772	1		GUIDE
3	GM287305	1	/P	ROPE, STARTER
4	GM287306	1	/P	KNOB, STARTER
5	GM287304	1		SPRING, REWIND
6	GM287303	1		REEL
7	07771	1		SCREW & WASHER Torque Specs: 35-45 In/Lbs; 4-5 Nm
8	07734	1		NUT Torque Specs: 52-69 In/Lbs; 5.9-7.8 Nm
9	A07773	1	/P	PULLEY ASSY, STARTER
10	07775	1		SPRING, RETURN
11	07774	1		RATCHET
12	07778	1		PAD
13	07724	3	/P	SCREW & WASHER Torque Specs: 35-45 In/Lbs; 4-5 Nm
14	07777	1		BRACKET (INCLUDES NO. 12)



3000b UT-26035-B
Stringhead & Accessories

Page 24 of 24

Ref #	Part Number	Qty	S/P/F	Description
	DG07796	1	/P	4" TFC HEAD ASSY
1	GM180302	1	/P	HEAD BODY
2	GM226701	1	/P	ARBOR BOLT
3	GM166903	1		SPRING PLATE
4	GM167901	1	S	SPRING
5	GM166903	1		SPRING PLATE
6	GM185206	1	S	SPOOL
7	GM185205	1	/P	CAP
8	DG07799	1		FIXED LINE HEAD ASSY (OPT.)
9	GM325205	1		ARBOR BOLT
10	DG07809	1	/P	GREEN LINE .105 X 20ft.
11	GM280603	1		TOOL KIT
12	DG07817	1		8" XRT BLADE
13	DG07815	1	/P	8" SAW BLADE (OPT.)
14	DG07813	1	/P	8" QUAD BLADE (OPT.)
15	GM94110	1	/P	BLADE COVER (OPT.)
?16	DG07797	1	/P	6" TFC HEAD ASSY (OPT.)(Not Shown)