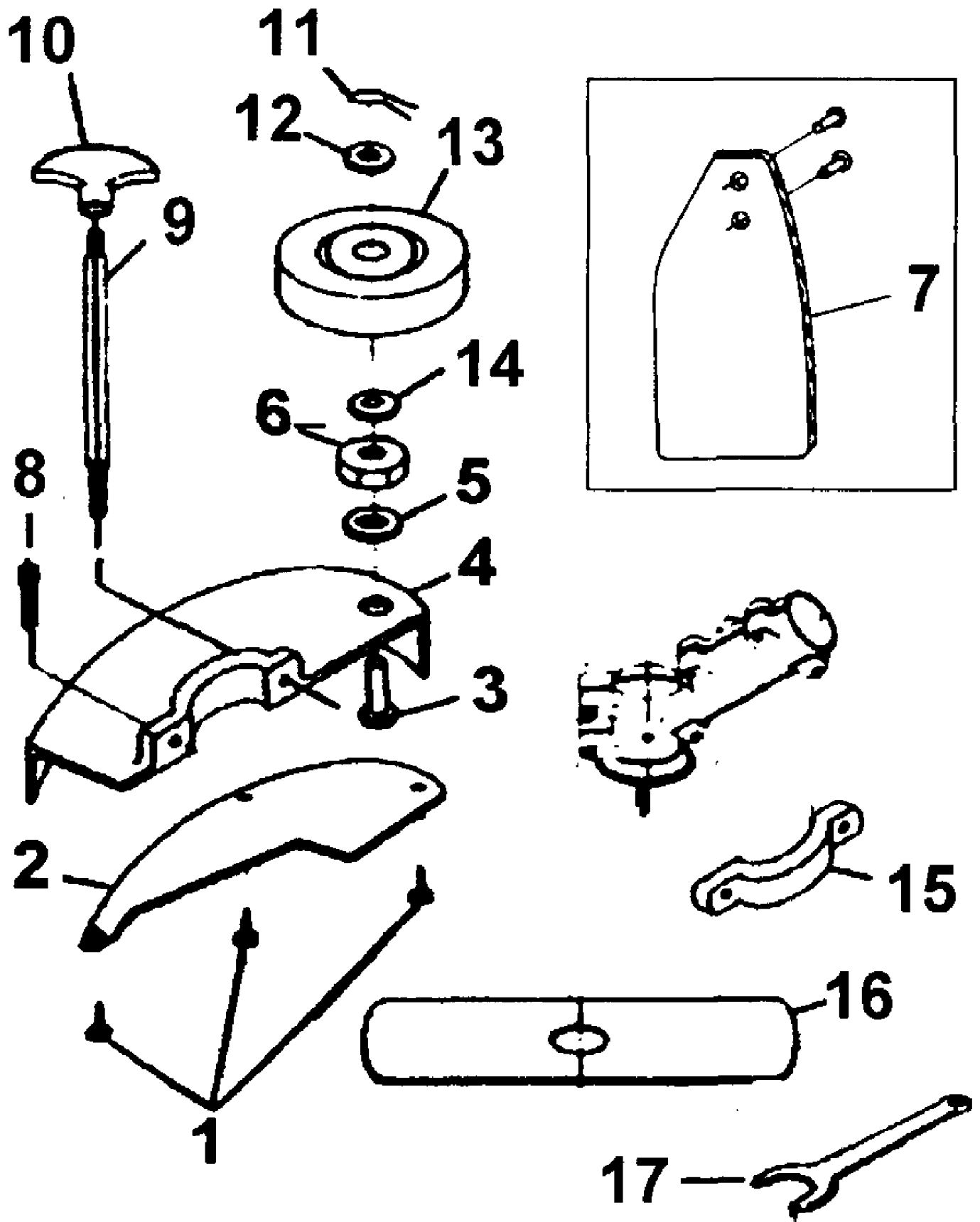


1900E UT-26100
Air Filter & Carburetor

Page 2 of 22

| Ref # | Part Number | Qty | S/P/F | Description |
|-------|-------------|-----|-------|---|
| 1 | 07752 | 1 | S | SCREW & WASHER Torque Specifications: 35-45 In/Lbs; 4-5 Nm |
| 2 | 07754 | 1 | | LABEL, CHOKE |
| 3 | 07751 | 1 | | COVER |
| 4 | 07753 | 1 | | NUT |
| 5 | 07750 | 1 | | ELEMENT |
| 6 | 07749 | 2 | | SCREW & WASHER Torque Specifications: 35-45 In/Lbs; 4-5 Nm |
| 7 | 07748 | 1 | | BRACKET |
| 8 | 07747 | 1 | | BASE |
| 9 | A08000 | 1 | | CARBURETOR |
| 10 | 07743 | 1 | | GASKET, CARB |
| 11 | GM002804 | 2 | | SCREW & WASHER Torque Specifications: 35-45 In/Lbs; 4-5 Nm |
| 12 | 07742 | 1 | | INSULATOR |
| 13 | 07741 | 1 | | GASKET, INSULATOR |

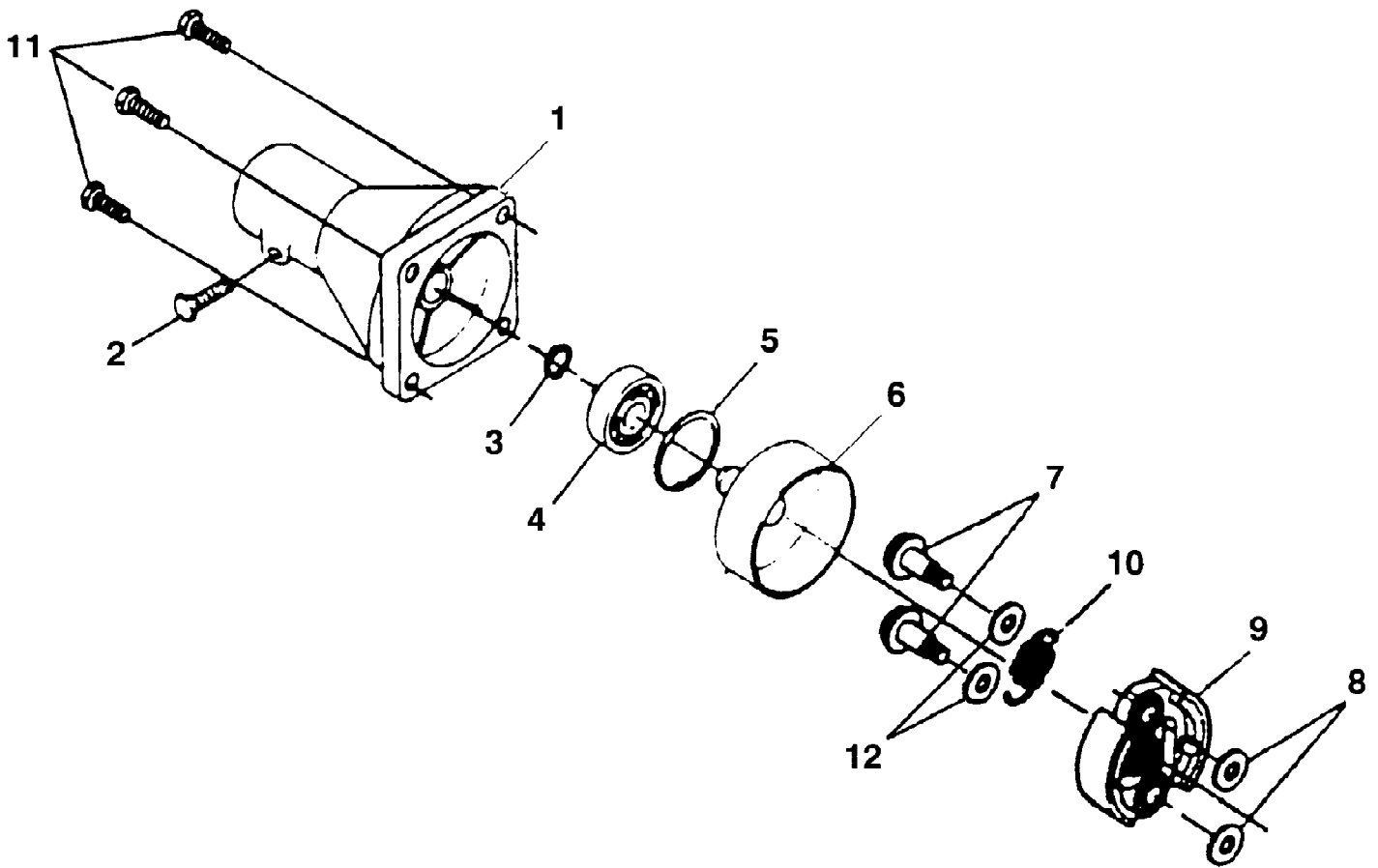


1900E UT-26100
Blade And Guard

Page 4 of 22

| Ref # | Part Number | Qty | S/P/F | Description |
|-------|-------------|-----|-------|---|
| | A08162 | 1 | S/P | EDGER GUARD ASSY. |
| 1 | 82459 | 1 | /P | SCREW, SELF TAPPING Torque Specifications: 40-50 In/Lbs; 4.6-5.8 Nm |
| 2 | GM236909 | 1 | /P | SHIELD |
| 3 | GM237610 | 1 | | EDGER AXLE |
| 4 | A08162 | 1 | S/P | GUARD |
| 5 | GM041007 | 1 | | WASHER |
| 6 | GM051017 | 1 | S | NUT Torque Specifications: 150-200 In/Lbs; 17.3-23 Nm |
| 7 | A08161 | 1 | | DRAG FLAP KIT |
| 8 | GM237604 | 1 | | BOLT, ALLEN HEAD Torque Specifications: 30-40 In/Lbs; 3.5-4.6 Nm |
| 9 | GM280640 | 1 | /P | SHAFT & KNOB ASSY. |
| 10 | 08290 | 1 | /P | KNOB |
| 11 | GM236907 | 1 | | COTTER PIN |
| 12 | 96102 | 1 | | WASHER |
| 13 | GM235102 | 1 | | WHEEL |
| 14 | 96102 | 1 | | WASHER |
| 15 | GM236110 | 1 | | BRACKET |
| 16 | DG07812 | 1 | /P | EDGER BLADE |
| 17 | GM300190 | 1 | | SPANNER WRENCH |

1900E UT-26100
Clutch



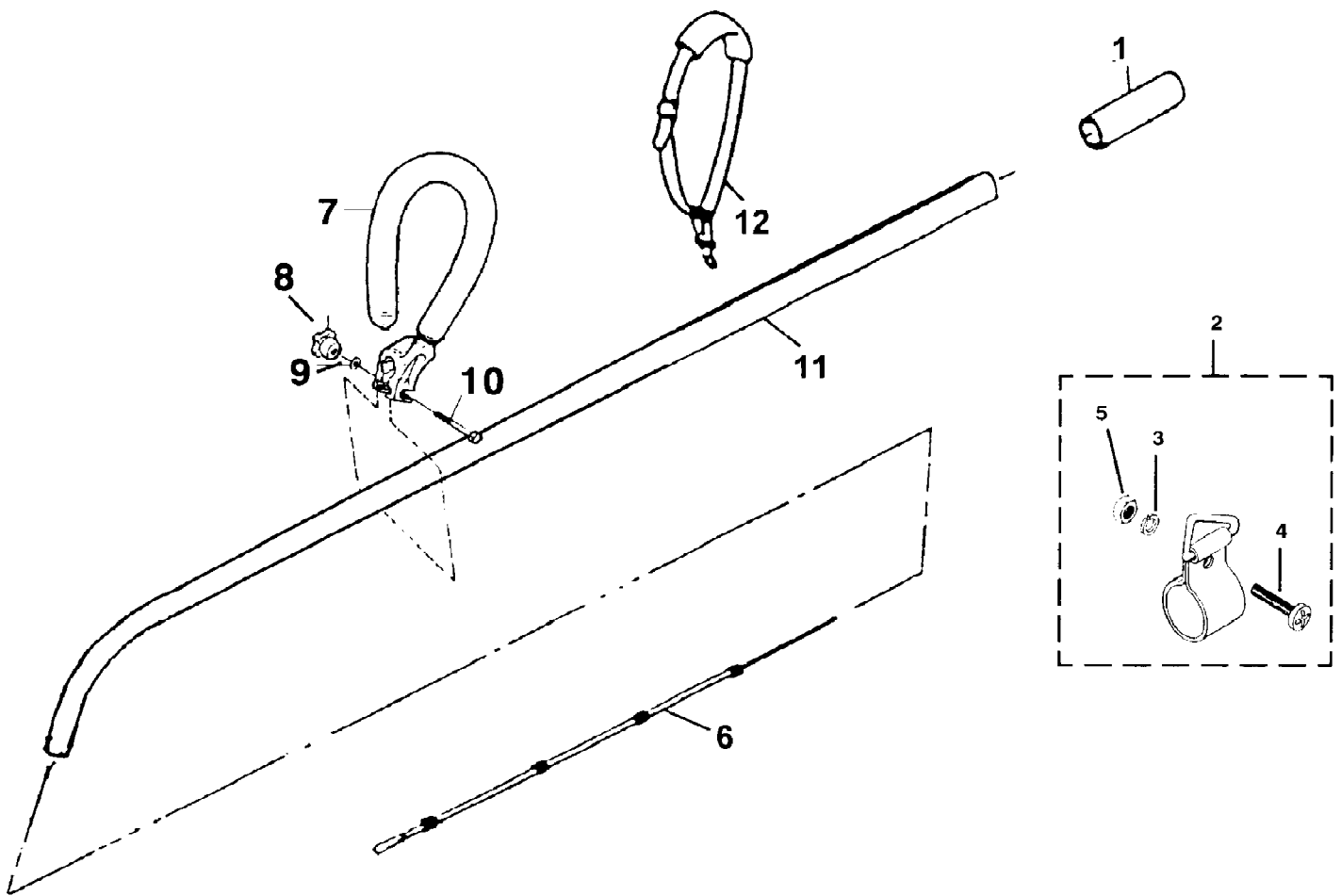
1900E UT-26100
Clutch

Page 6 of 22

| Ref # | Part Number | Qty | S/P/F | Description |
|-------|-------------|-----|-------|--|
| 1 | A08854 | 1 | /P | CLUTCH CASE ASSY |
| 2 | GM032803 | 1 | /P | BOLT & WASHER Torque Specifications: 55-65 In/Lbs; 5.9-7.8 Nm |
| 3 | GM062101 | 1 | S | SNAP RING |
| 4 | GM070009 | 1 | | BALL BEARING |
| 5 | GM062801 | 1 | /P | SNAP RING |
| 6 | 08984 | 1 | | CLUTCH DRUM |
| 7 | PS07766 | 2 | /P | BOLT, CLUTCH Torque Specifications: 55-65 In/Lbs; 5.9-7.8 Nm |
| 8 | 07767 | 2 | | WASHER, CLUTCH |
| 9 | A07764 | 1 | /P | CLUTCH ASSY |
| 10 | GM287901 | 1 | | SPRING, CLUTCH |
| 11 | GM030005 | 4 | /P | BOLT & WASHER Torque Specifications: 55-65 In/Lbs; 5.9-7.8 Nm |
| 12 | 07768 | 2 | | WASHER, Clutch Bolt |

1900E UT-26100
Driveshaft And Handle

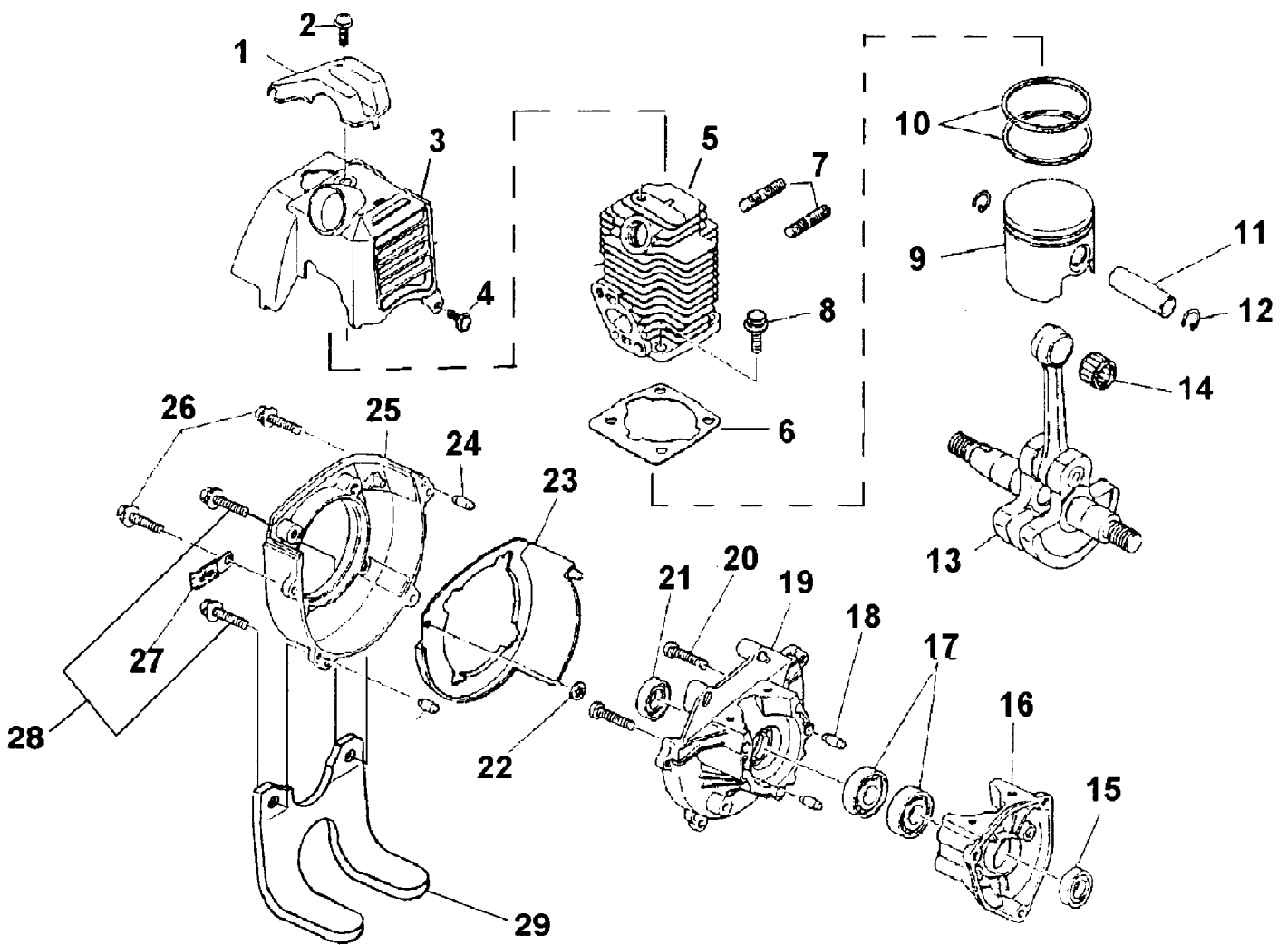
Page 7 of 22



1900E UT-26100
Driveshaft And Handle

Page 8 of 22

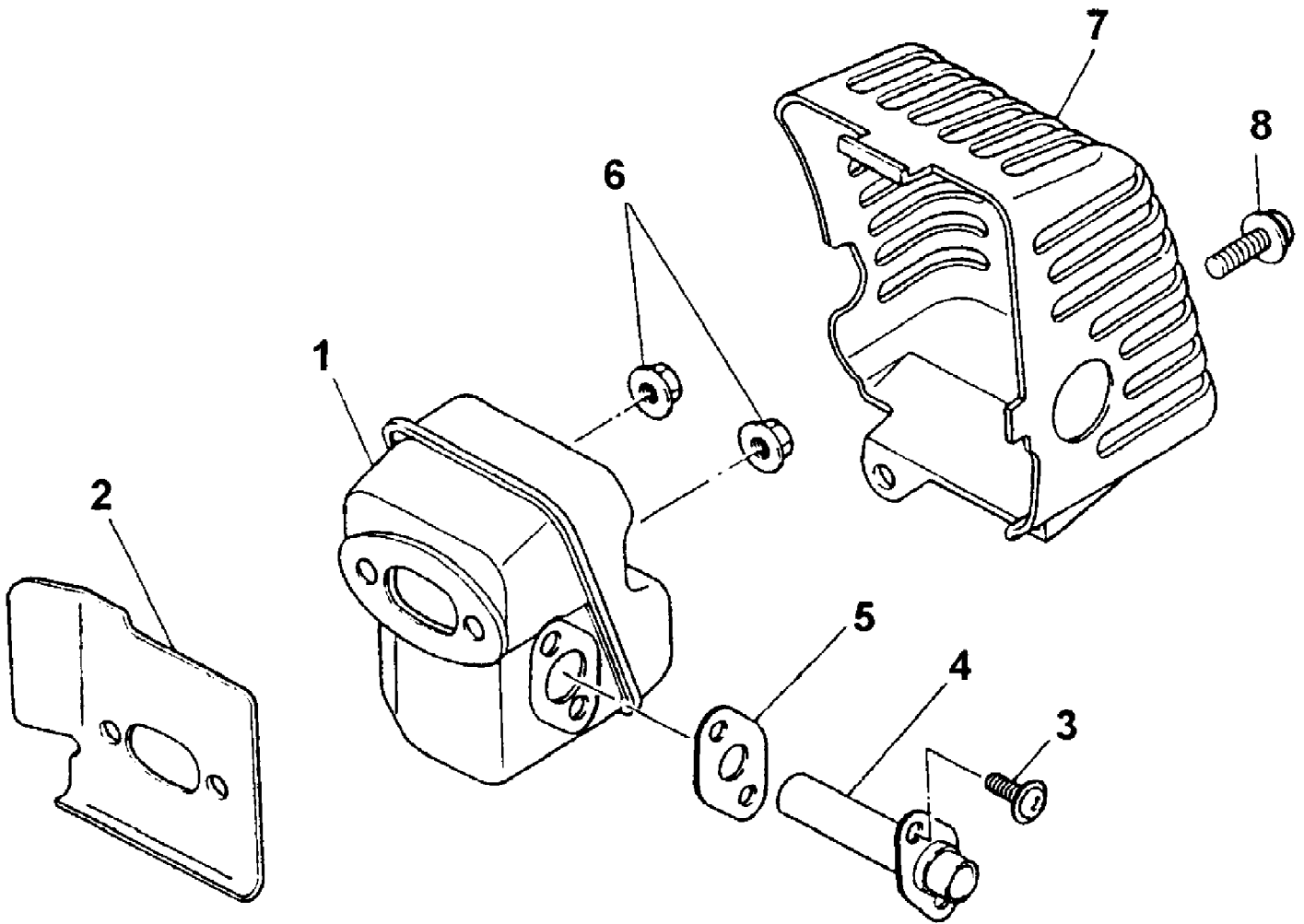
| Ref # | Part Number | Qty | S/P/F | Description |
|-------|-------------|-----|-------|--|
| 1 | GM300038 | 1 | /P | FOAM GRIP |
| 2 | GM300245 | 1 | S | HANGER ASSY |
| 3 | GM041101 | 1 | /P | WASHER |
| 4 | GM010002 | 1 | /P | SCREW |
| 5 | GM050003 | 1 | | NUT Torque Specifications: 5-30 In/Lbs; .5-3.4 Nm |
| 6 | GM287801 | 1 | | FLEX SHAFT |
| 7 | GM300302 | 1 | | HANDLE ASSY. |
| 8 | 08290 | 1 | /P | KNOB |
| 9 | 80295 | 1 | /P | BOLT |
| 10 | 84006 | 1 | /P | WASHER |
| 11 | GM280344 | 1 | | TUBE ASSY |
| 12 | GM257601 | 1 | | HARNESS (OPTIONAL) |



1900E UT-26100
Engine Internal

Page 10 of 22

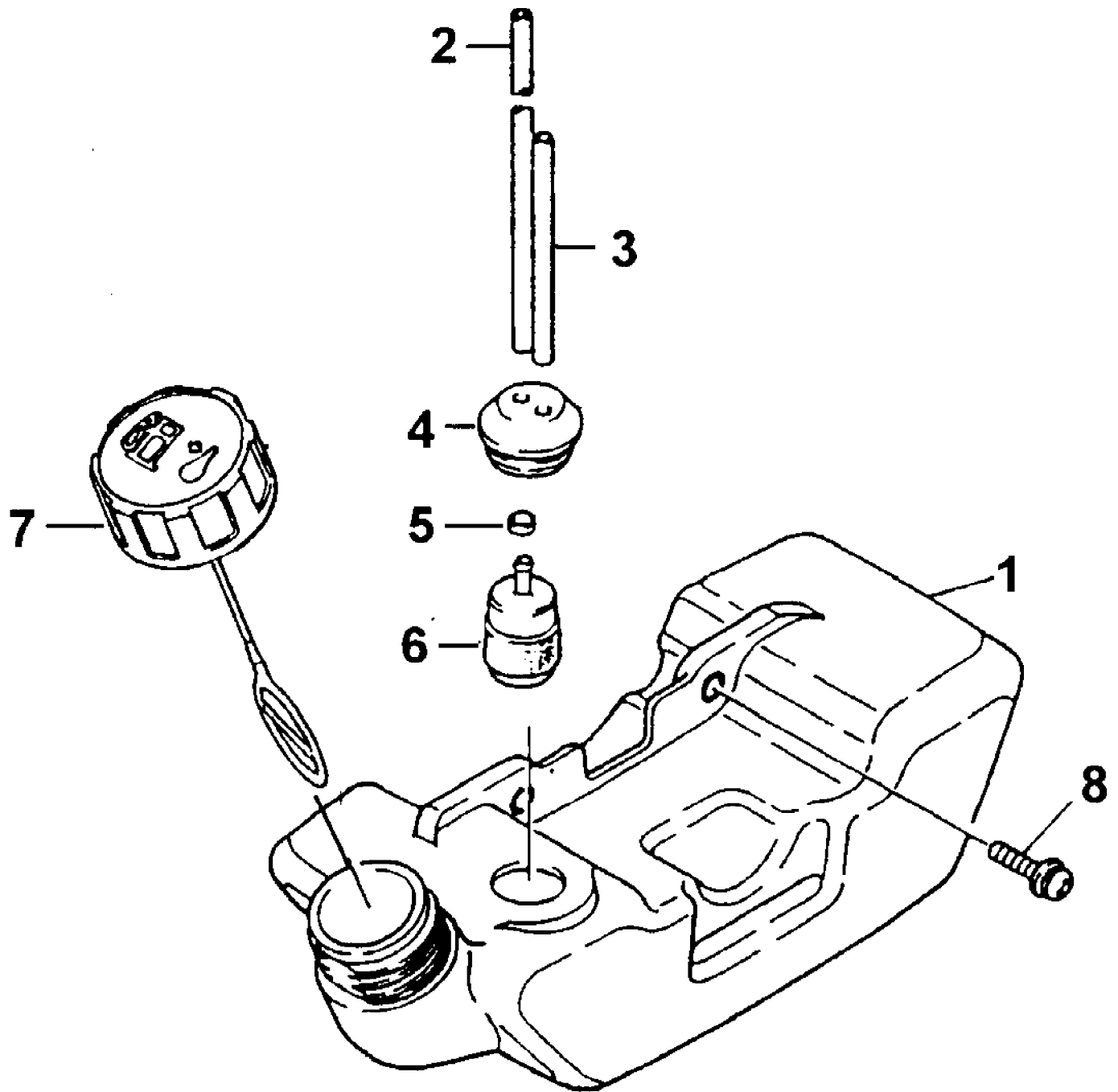
| Ref # | Part Number | Qty | S/P/F | Description |
|-------|-------------|-----|-------|--|
| 1 | 07722 | 1 | | GUARD, PLUG |
| 2 | 07723 | 1 | | SCREW & WASHER Torque Specs: 35-45 In/Lbs; 4-5 Nm |
| 3 | 07721 | 1 | | COVER, TOP |
| 4 | 07724 | 1 | /P | SCREW & WASHER Torque Specs: 35-45 In/Lbs; 4-5 Nm |
| 5 | A07888 | 1 | | CYLINDER ASSY |
| 6 | 07718 | 1 | | GASKET, CYLINDER |
| 7 | 07720 | 2 | | STUD |
| 8 | 07719 | 1 | | SCREW & WASHER Torque Specs: 35-45 In/Lbs; 4-5 Nm |
| 9 | A07890 | 1 | | PISTON ASSY |
| 10 | 07732 | 2 | | RING, PISTON |
| 11 | | 1 | | PIN, PISTON |
| 12 | | 2 | | CLIP, PISTON PIN |
| 13 | A07892 | 1 | | CRANKSHAFT ASSY |
| 14 | GM071410 | 1 | /P | BEARING |
| 15 | 07708 | 1 | /P | OIL SEAL |
| 16 | 07707 | 1 | | CASE, STARTER |
| 17 | GM071009 | 2 | | BEARING |
| 18 | 07709 | 2 | | PIN, DOWEL |
| 19 | 07706 | 1 | | CASE, DRIVE |
| 20 | GM002805 | 3 | | SCREW Torque Specs: 35-45 In/Lbs; 4-5 Nm |
| 21 | GM081502 | 1 | S | OIL SEAL |
| 22 | 07712 | 1 | | NUT |
| 23 | 07711 | 1 | | NOSE |
| 24 | 07710 | 2 | | PIN, DOWEL |
| 25 | 07713 | 1 | | CASE, FAN |
| 26 | 07714 | 2 | | BOLT & WASHER Torque Specs: 35-45 In/Lbs; 4-5 Nm |
| 27 | 07725 | 1 | | CLAMP |
| 28 | 08888 | 2 | | BOLT & WASHER |
| 29 | 08654 | 1 | | ENGINE STAND Torque Specs: 35-45 In/Lbs; 4-5 Nm |



1900E UT-26100
Exhaust System

Page 12 of 22

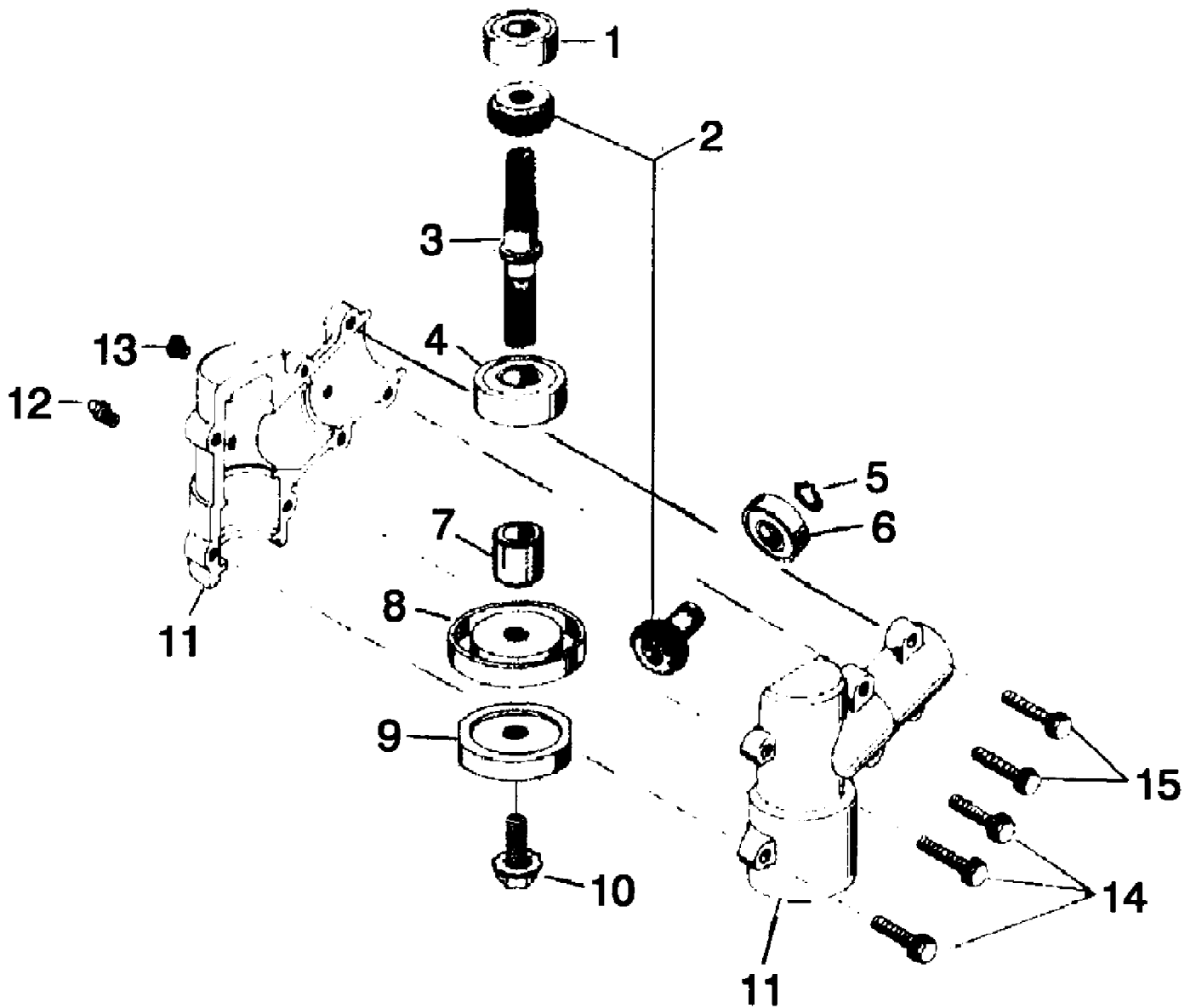
| Ref # | Part Number | Qty | S/P/F | Description |
|-------|-------------|-----|-------|---|
| 1 | A07894 | 1 | /P | MUFFLER ASSY |
| 2 | 07755 | 1 | | GASKET, MUFFLER |
| 3 | 07761 | 2 | | SCREW & WASHER Torque Specifications: 35-45 In/Lbs; 4-5 Nm |
| 4 | 07758 | 1 | | TAIL PIPE |
| 5 | PS07759 | 1 | /P | GASKET, TAIL PIPE |
| 6 | GM050069 | 2 | | NUT, FLANGE Torque Specifications: 35-45 In/Lbs; 4-5 Nm |
| 7 | PS07762 | 1 | /P | COVER, MUFFLER |
| 8 | 07763 | 1 | | SCREW & WASHER Torque Specifications: 35-45 In/Lbs; 4-5 Nm |



1900E UT-26100
Fuel Tank

Page 14 of 22

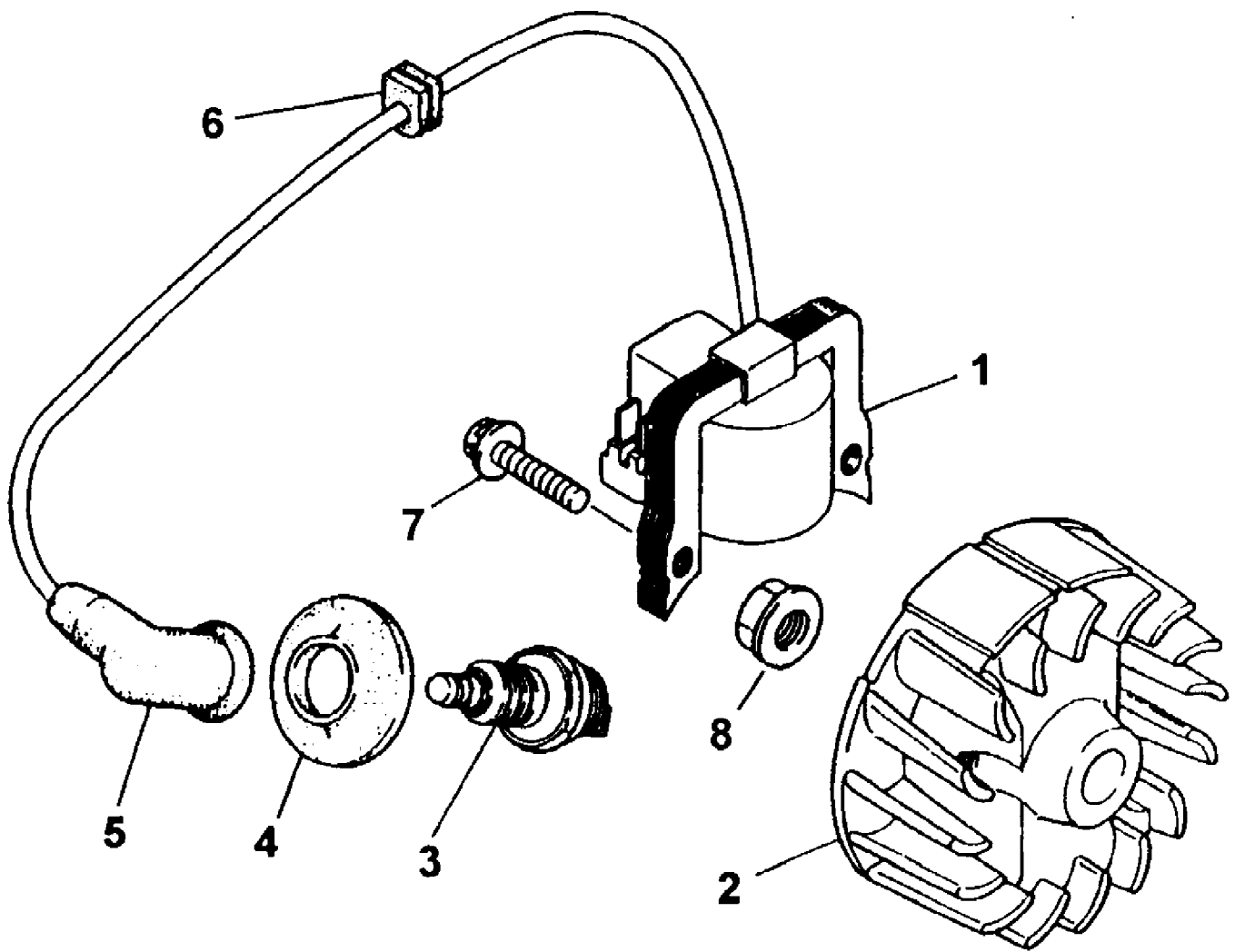
| Ref # | Part Number | Qty | S/P/F | Description |
|-------|-------------|-----|-------|---|
| 1 | A07782 | 1 | /P | FUEL TANK ASSY (23cc) |
| 2 | 07790 | 1 | | TUBE, FUEL |
| 3 | 07791 | 1 | | TUBE, FUEL |
| 4 | 07789 | 1 | | PLUG |
| 5 | 07792 | 1 | | BUSHING |
| 6 | 07793 | 1 | | FILTER, FUEL |
| 7 | 07784 | 1 | | TANK CAP |
| 8 | 07794 | 2 | /P | SCREW & WASHER Torque Specifications: 35-45 In/Lbs; 4-5 Nm |



1900E UT-26100
Gearcase

Page 16 of 22

| Ref # | Part Number | Qty | S/P/F | Description |
|-------|-------------|-----|-------|--|
| | GM270303 | 1 | S | GEARCASE ASS. |
| 1 | 09147 | 1 | | BEARING |
| 2 | GM190609 | 1 | /P | GEAR SET |
| 3 | GM226706 | 1 | | SHAFT, GEAR |
| 4 | 09141 | 1 | | BEARING |
| 5 | 09151 | 1 | /P | RING |
| 6 | 09134 | 1 | S | BEARING |
| 7 | GM226705 | 1 | | COLLAR |
| 8 | GM300070 | 1 | | UPPER FLANGE WASHER |
| 9 | GM300075 | 1 | S | LOWER FLANGE WASHER |
| 10 | 09140 | 1 | S | SEMS SCREW, BLADE Torque Specifications: 55-65 In/Lbs; 6.2-7.3 Nm |
| 11 | GM270306 | 1 | | HOUSING SET |
| 12 | GM286716 | 1 | /P | FITTING, ZERK |
| 13 | 82459 | 1 | /P | SCREW, SELF TAPPING Torque Specifications: 40-50 In/Lbs; 4.5-5.6 Nm |
| 14 | 825491 | 3 | S | SCREW, SELF TAPPING Torque Specifications: 40-50 In/Lbs; 4.5-5.6 Nm |
| 15 | 825491 | 2 | S | SCREW, SELF TAPPING Torque Specifications: 40-50 In/Lbs; 4.5-5.6 Nm |



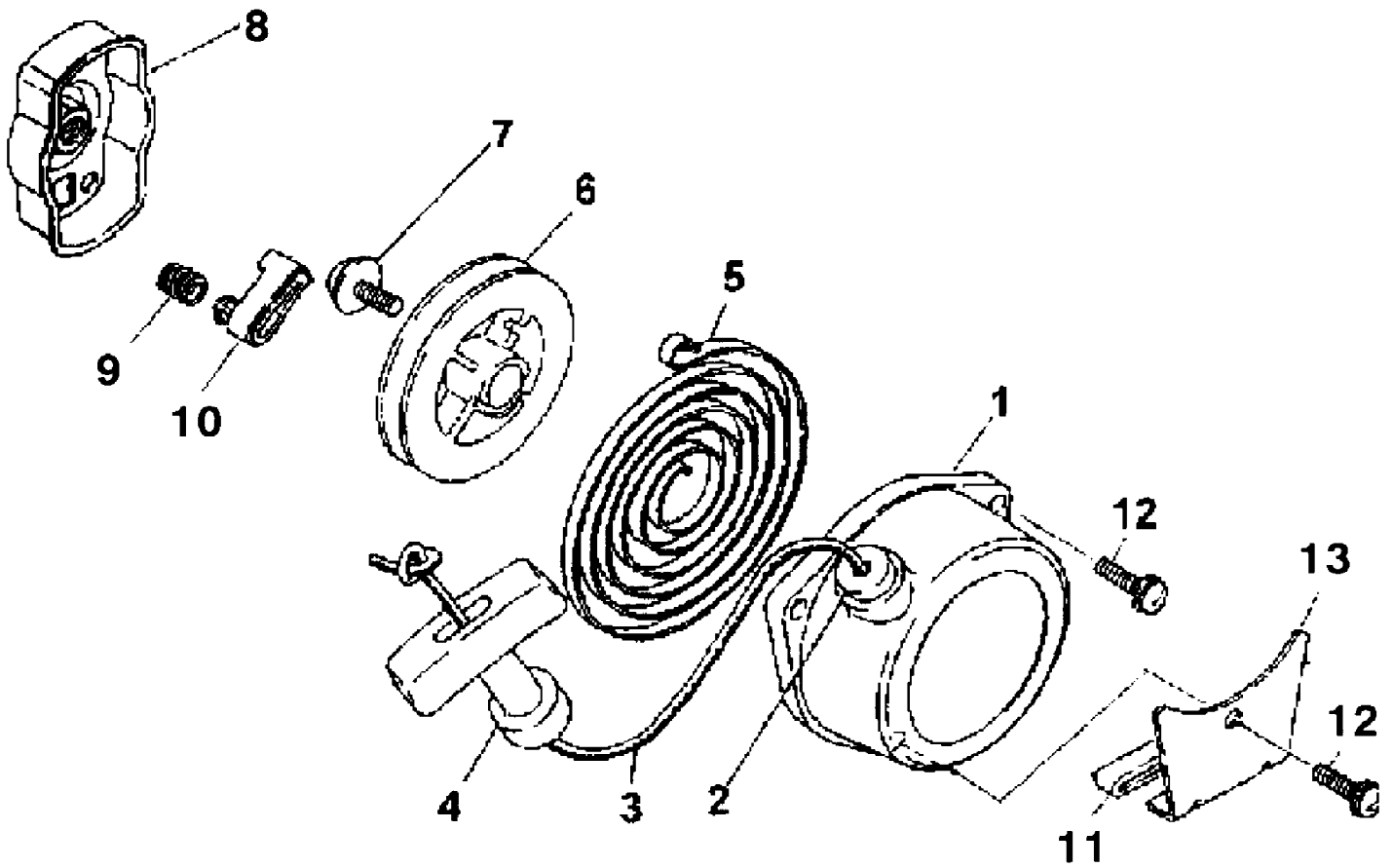
1900E UT-26100
Ignition

Page 18 of 22

| Ref # | Part Number | Qty | S/P/F | Description |
|-------|-------------|-----|-------|--|
| 1 | 07736 | 1 | | COIL, IGNITION |
| 2 | 07735 | 1 | | ROTOR w/key |
| 3 | GM190036 | 1 | /P | SPARK PLUG |
| 4 | 07739 | 1 | | CAP, GROMMET |
| 5 | 07737 | 1 | /P | CAP, PLUG |
| 6 | 07738 | 1 | | GROMMET, WIRE |
| 7 | GM030104 | 2 | | BOLT & WASHER Torque Specifications: 35-45 In/Lbs; 4-5 Nm |
| 8 | GM052804 | 1 | /P | NUT Torque Specifications: 69-87 In/Lbs; 7.8-9.8 Nm |
| ?9 | 07740 | 1 | | WIRE, LEAD (NOT SHOWN) |

1900E UT-26100
Starter

Page 19 of 22



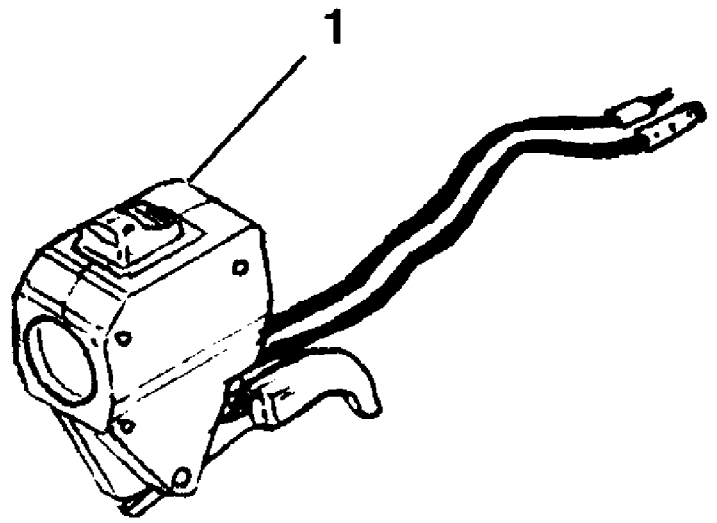
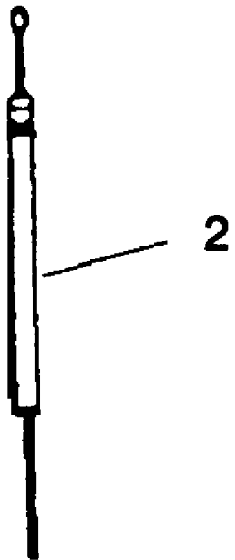
1900E UT-26100
Starter

Page 20 of 22

| Ref # | Part Number | Qty | S/P/F | Description |
|-------|-------------|-----|-------|---|
| 1 | A07769 | 1 | /P | STARTER ASSY |
| 2 | 07772 | 1 | | GUIDE |
| 3 | GM287305 | 1 | /P | ROPE, STARTER |
| 4 | GM287306 | 1 | /P | KNOB, STARTER |
| 5 | GM287304 | 1 | | SPRING, REWIND |
| 6 | GM287303 | 1 | | REEL |
| 7 | 07771 | 1 | | SCREW & WASHER Torque Specifications: 35-45 In/Lbs; 4-5 Nm |
| 8 | A07773 | 1 | /P | PULLEY ASSY, STARTER Torque Specifications: 52-69 In/Lbs; 5.9-7.8 Nm |
| 9 | 07775 | 1 | | SPRING, RETURN |
| 10 | 07774 | 1 | | RATCHET |
| 11 | 07778 | 1 | | PAD |
| 12 | 07724 | 3 | /P | SCREW & WASHER Torque Specifications: 35-45 In/Lbs; 4-5 Nm |
| 13 | 07777 | 1 | | BRACKET (INCLUDES NO. 11) |

1900E UT-26100
Throttle

Page 21 of 22



1900E UT-26100
Throttle

Page 22 of 22

| Ref # | Part Number | Qty | S/P/F | Description |
|-------|-------------|-----|-------|----------------|
| 1 | A08423B | 1 | S | THROTTLE ASSY. |
| 2 | 08197 | 1 | S | THROTTLE CABLE |