

Green Machine[®]

OWNER'S MANUAL

HEDGE TRIMMER
MODEL 2600h UT26150

SERIAL NO.

IMPORTANT NOTE: USE THE ABOVE BOX TO FILL IN YOUR MODEL'S SERIAL NUMBER FOR YOUR RECORDS.

ASSEMBLY AND OPERATING INSTRUCTIONS

GREEN MACHINE[®] - LIMITED WARRANTY

The manufacturer warrants to the original retail purchaser that this Product is free from defects in material and workmanship and agrees to repair or replace, at Manufacturer's discretion, any defective product free of charge within these time periods from the date of purchase:

- Two years, if the Product is used for personal, family, or household use;
- One year, if the Product is used for commercial or any other use.

This warranty is not transferable and does not cover damage resulting from defects other than in material or workmanship, or damage caused by unreasonable use, including the failure to provide reasonable and necessary maintenance. Also, the warranty obligations do not apply to conditions resulting from misuse, alteration or accident. In addition, this warranty does not cover general check-ups on electrical equipment, tune-ups on gasoline engines, or replacement of non-defective parts (such as electrical brushes, cables, plugs, spark plug, filters, starter ropes, etc.) that may wear and need to be replaced with reasonable use within the warranty period or which may require replacement in connection with normal maintenance. This warranty applies only to products sold within the United States of America, the District of Columbia, Canada, Mexico, the Commonwealth of Puerto Rico, the Virgin Islands, Guam, the Canal Zone, or American Samoa.

SAVE YOUR SALES SLIP

Proof of purchase in the form of your dated sales receipt, cash register slip, etc. showing the serial number and the model of your Product will be required before our dealers can perform warranty service on the Product. You must at your own expense, arrange to deliver or ship the Product for warranty repairs and arrange for pickup or return of the Product after repairs have been made.

This warranty does not apply to any trade accessory, engine, or electric motor which is separately warranted by another manufacturer and not manufactured by the manufacturer.

THIS LIMITED WARRANTY IS IN LIEU OF ALL OTHER EXPRESS WARRANTIES. ANY IMPLIED WARRANTY OF FITNESS FOR A PARTICULAR PURPOSE, MERCHANTABILITY OR OTHERWISE, APPLICABLE TO THIS PRODUCT, SHALL BE LIMITED IN DURATION TO THE DURATION OF THIS LIMITED WARRANTY. THE MANUFACTURER SHALL NOT BE LIABLE FOR ANY SPECIAL, INCIDENTAL OR CONSEQUENTIAL DAMAGES.

SOME STATES DO NOT ALLOW LIMITATIONS ON HOW LONG AN IMPLIED WARRANTY LASTS, SO THE ABOVE LIMITATION MAY NOT APPLY TO YOU. ALSO, SOME STATES DO NOT ALLOW THE EXCLUSION OR LIMITATION OF INCIDENTAL OR CONSEQUENTIAL DAMAGES, SO THE ABOVE LIMITATION OR EXCLUSION MAY NOT APPLY TO YOU.

HOW TO OBTAIN WARRANTY SERVICE

Warranty service can be obtained from a Green Machine[®] dealer authorized to make warranty repairs. If you need warranty service, check first with the dealer from whom you purchased the Product. **FOR WARRANTY SERVICE INFORMATION OUTSIDE THE USA AND CANADA, PLEASE CONTACT YOUR LOCAL GREEN MACHINE[®] DEALER.**

The manufacturer will not make any reimbursements for warranty service, except to Green Machine[®] dealers authorized to make warranty repairs. You must present your sales receipt when making any claim for warranty service.

This warranty gives you specific legal rights, and you may also have other rights which vary from state to state.

This warranty is given by Homelite, Inc. Post Office Box 7047, Charlotte, North Carolina 28241.

Green Machine[®]

by **John Deere**

P.O. Box 7047
14401 Carowinds Blvd.
Charlotte, N.C. 28241

P/N 19685

SAFETY PRECAUTIONS

PERSONAL SAFETY PRECAUTIONS

- Always wear goggles and full eye protection when operating this equipment. The use of gloves and hearing protection is recommended.
- Keep all bystanders, children, and pets away from the work area.
- Do not wear loose clothing, scarfs, or ties which could be drawn into the air intake or cutter blades.
- Do not let any part of the body contact the hot muffler of muffler cover. The muffler is located on the right hand side of the unit. It will become hot while the unit is running and will remain hot for a short period of time after shutdown.
- To avoid possible electric shock, do not touch high tension cable or spark plug cap while the engine is running.
- Always hold the hedge trimmer with both hands when operating. Use a firm grip on both handles.
- It has been reported that vibrations from hand-held tools (chain saws, pneumatic hammers, grinders, sledge hammers, etc.) may contribute to a condition called Raynaud's Syndrome in certain individuals. Symptoms may include tingling, numbness and blanching of the fingers, usually apparent upon exposure to cold. Hereditary factors, exposure to cold and dampness, diet, smoking and work practices are all thought to contribute to the condition.

There are measures that can be taken by the operator to possibly reduce the effects of vibration.

- a) Keep your body warm in cold weather. When operating the unit, wear gloves to keep the hands and wrists warm. It is reported that cold weather is a major factor contributing to Raynaud's Syndrome.
- b) Refrain from smoking (another suspected contributing factor).
- c) After each period of operation, exercise to increase blood circulation.
- d) Take frequent work breaks. Limit the amount of exposure per day.
- e) Keep the tool well maintained, fasteners tightened, and worn parts replaced.

If you experience any of the symptoms of this condition, immediately discontinue use and see your physician about these symptoms.

OPERATING HAZARDS

- Use only the recommended position for starting the hedge trimmer.
- Keep a firm grip on both handles at all times. Keep both handles in the webbing between the thumb and the index finger.
- Do not operate this unit with one hand or attempt to cut hedges that are higher than your shoulders.

- Do not attempt to operate the hedge trimmer from a ladder or any other unstable position.
- Keep both feet on the ground, spread slightly.
- Do not attempt to stretch or lean over the work area.
- Always operate the hedge trimmer with your left hand on the front handle and your right hand on the rear handle. This will keep the hot muffler away from your body and reduce the risk of injury.
- Do not attempt to touch or stop the blades when they are moving.
- Always set the trimmer on a flat surface and flip the ignition switch to "OFF" before attempting to remove any obstruction caught or jammed in the blades.
- Never reach over, or near the blade to clear away clippings while the trimmer is running.
- Do not operate the trimmer if the blades continue to move at idle. Adjust the idle speed to insure that the drive clutch will disengage at idle.
- Do not leave the hedge trimmer unattended where it could be started by untrained persons, or minors.
- Do not attempt to sharpen blades. If blades become dull, have them replaced by an authorized servicing dealer. Use on the replacement blades specified by the manufacturer.
- Do not operate the hedge trimmer with damaged blades.
- Make sure that the handles are in good condition. Inspect for wear or cracks and replace as required.
- All service to this unit, other than items in the Owner's Manual maintenance instructions, should be performed by competent service personnel. (If improper tools are used to remove the flywheel or clutch, or if an improper tool is used to hold the flywheel in order to remove the clutch, structural damage to the flywheel could occur which could subsequently cause the flywheel to burst.)

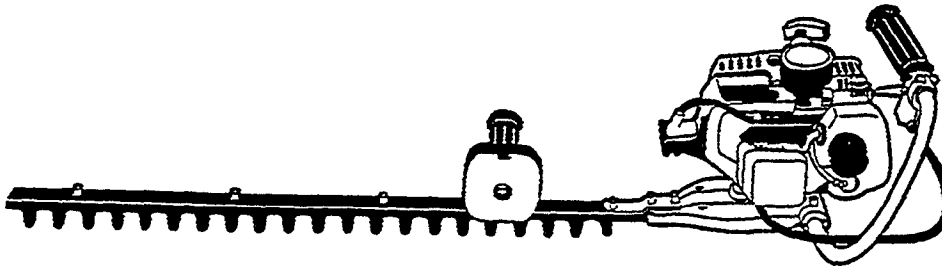
FUELING AND MAINTENANCE HAZARDS

- Always shut-off the engine before fueling.
- Always use caution when handling fuel. Move the unit at least 10 feet (3m) from the fueling point before starting the engine.
- Do not operate if there is a fuel leak. A leak can cause a fire.
- Run this unit only out of doors. Carbon monoxide exhaust fumes can be lethal in a confined area.
- Store gasoline and fuel only in non-corrosive containers designed for the safe storage of such materials.
- * Also shut-off the engine and disconnect the spark plug wire before servicing the hedge trimmer.
- If the muffler is worn, replace it. Excessive engine speed in this condition is hazardous.
- Use only product manufacturer's genuine replacement parts. Failure to do so may cause poor fit and possible injury.

CONTENTS

SAFETY PRECAUTIONS	2
PREPARING FOR USE	4
OPERATION	5
MAINTENANCE AND ADJUSTMENT	6

HEDGE TRIMMER



THE **GREEN MACHINE** MODEL 2600H WAS DESIGNED WITH THE INPUT FROM OVER 400 COMMERCIAL USERS. THE MODEL 2600H IS LIGHTWEIGHT AND WELL BALANCED WITH ITS HIGH BLADE SPEED AND ABILITY TO CUT UP TO 1" DIAMETER IT WILL EXCEED THE DEMANDS OF THE PROFESSIONAL LANDSCAPER.

IMPORTANT

The Hedge Trimmer is packaged completely assembled. When unpacking the unit, inspect for any damage which may have occurred during transportation or storage. If any damage is found, notify the dealer or shipped immediately. Make sure that a copy of the Warranty has been included with the unit.

Please read this owner's manual carefully and make sure that you understand how to operate the unit properly and in safety. Save this manual for future reference.

Descriptions and illustrations are as accurate as possible at the time of publication. Illustrations may include optional equipment or accessories and may not show all models covered by this literature.



Indicates Warning, Danger, and Caution.



Read all Safety, Operating and Maintenance Instructions.



Wear eye and hearing protection when operating this equipment.



Wipe up any fuel spillage.

PREPARING FOR USE



SUPPLYING FUEL:

- Fill the fuel tank with fuel to 7/8 full, using a mixed fuel of gasoline and 2 cycle air cooled engine oil.

REFUELING (DO NOT SMOKE!)

- Mix and store fuel in a container approved for gasoline.
- Mix fuel outdoors where there are no sparks or flames.
- Select bare ground, stop engine, and allow to cool before refueling.
- Loosen fuel cap slowly to release pressure and to keep fuel from escaping around the cap.
- Wipe spilled fuel from the unit. Move 10 feet away from refueling site before starting engine.
- **Special Note: Never use gasohol. If gasohol is used, engine warranty will be voided. To test for alcohol content in gasoline, an inexpensive gasohol tester is available, order part # GM 27339.**

- **RECOMMENDED FUEL: THIS ENGINE IS CERTIFIED TO OPERATE ON UNLEADED GASOLINE INTENDED FOR AUTOMOTIVE USE.** Mix Green Machine 32:1 or Green Machine Premium Exact Mix oil with gasoline according to the instructions on the package. If Green Machine oil is not available, use a high quality 2-cycle engine oil mixed at 4 oz. per gallon.

DO NOT USE AUTOMOTIVE OIL OR 2-CYCLE OUTBOARD OIL.

Thoroughly mix the gasoline and 2-cycle oil before pouring the fuel mix into the engine's fuel tank.

WARNING

The fuel tank may be under pressure. Remove the cap slowly to avoid spurting of fuel.

HOW TO FUEL

WARNING

Loosen fuel cap slowly to allow safe release of pressure from the fuel tank.

1. Untwist and remove the fuel cap. Rest the cap on a clean surface so that it will not be a source of fuel contamination.
2. Pour in fuel carefully to the top. Avoid spillage by not overfilling.
3. Screw the fuel cap on tightly. Wipe up any fuel spillage immediately.

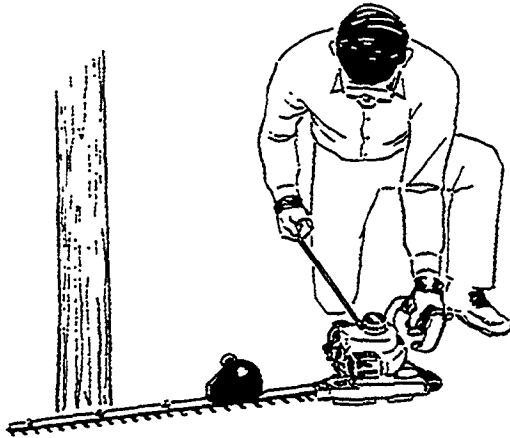
FUEL MIXING TABLE

Gallons of Recommended Gasoline	Amount of Green Machine 32:1 Oil or other 2-Cycle Oil
1 Gallon	4 oz. (118 cm ³)
2 Gallons	8 oz. (237 cm ³)

OPERATION

STARTING POSITION

Position the hedge trimmer so that the cutting edge of the blade cannot contact any object during starting.



1. Lay the trimmer on a flat, bare surface.
2. Rest the unit on the gearcase with back side of the blade guide against a tree or some other object that will keep the unit from moving when the starter grip is pulled.
3. Hold front handle firmly with the left hand.
4. Pull the starter grip with the right hand.

WARNING

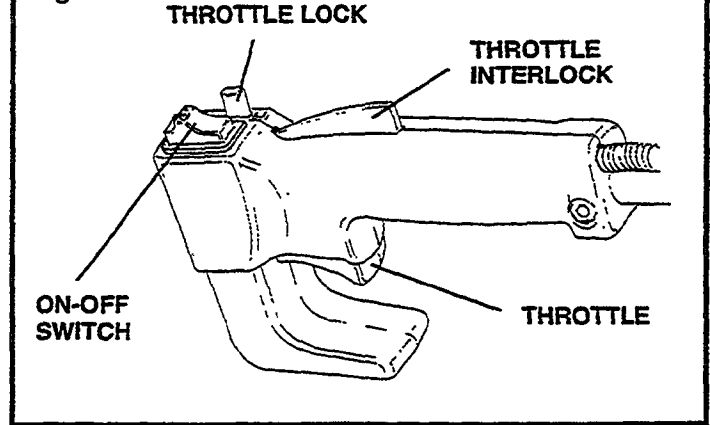
To reduce the risk of injury, use only the recommended position for starting the unit. *Do not place hand on top of hot engine.*

STARTING

STARTING THE ENGINE, WHEN COLD (INITIAL ENGINE STARTING)

- Slide stop switch (on top of trigger) to run position.
- Push the primer pump until fuel flows through the clean plastic return line (Figure 2).
- Place choke lever in the closed position (Figure 2).
- To lock throttle: While squeezing throttle and throttle interlock, push throttle lock button in, let go of the throttle and interlock. This latches the throttle for starting (Figure 1).
- Pull starter rope slowly, until engine compression is felt. Pull the starter in short rapid strokes until the engine starts.
- Avoid pulling the rope to its full extension as starter failure could result.
- Once the engine has started, slowly return the choke lever to its open position.
- Depress throttle lever to return the throttle lever to its idle position.
- Always allow the engine to run 1 to 2 minutes at idle for warm up before starting work.

Figure 1



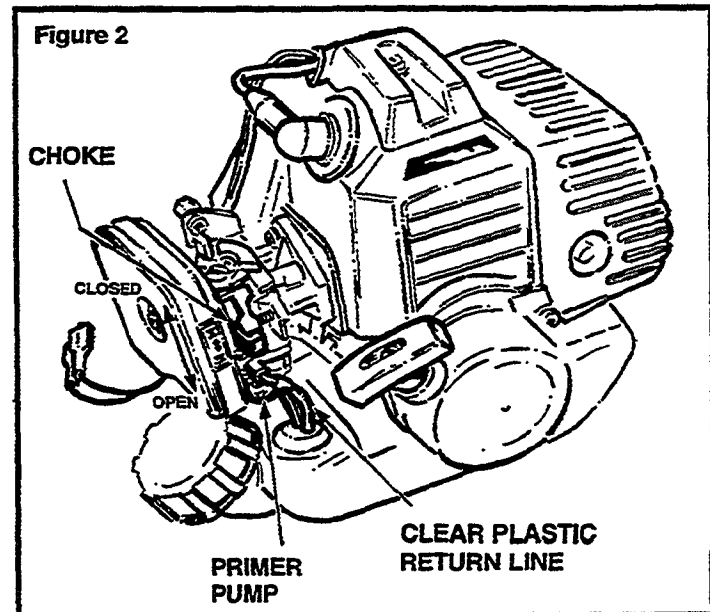
WHEN WARM (RESTARTING ENGINE)

- Hold throttle lever in the open position.
- Place choke lever in its open position.
- Pull starter rope as outlined in "Starting When Cold."
- **Note:** If engine fails to start, push primer until fuel appears in clear plastic return line.

STOPPING ENGINE

- Return throttle lever to its idle position, and allow the engine to idle for a short period (approximately 30 seconds). This allows the engine to cool down.
- Push stop switch to "Stop" position (toward the cutting head). Be sure to return the stop switch to the run position before trying to start unit.
- **Note:** Except for emergencies, avoid stopping engine while it is running at high speed, this avoids overheating the engine.

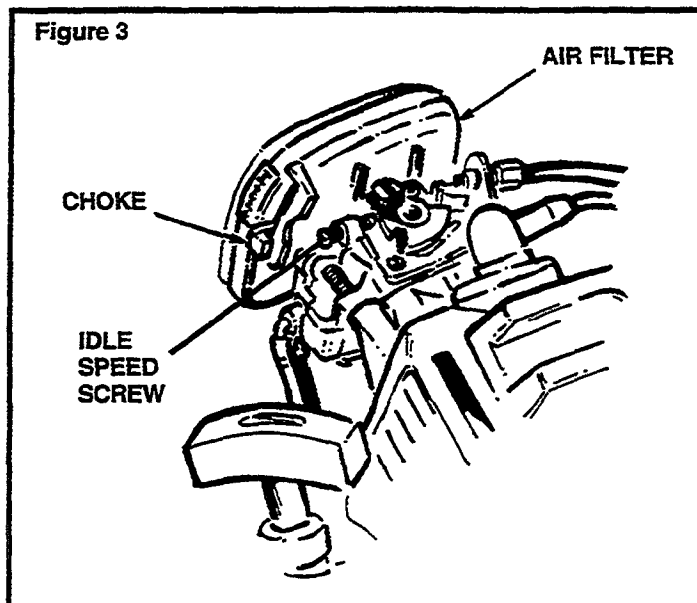
Figure 2



MAINTENANCE AND ADJUSTMENT

ADJUSTING ENGINE

- Your Green Machine® engine has been adjusted at the factory for optimum performance and fuel consumption, and no further adjustment should be required. However, because of varying atmospheric and climatic conditions, some minor adjustment may be needed for your area.
- Adjusting idle speed should always be done with a tachometer to insure proper idle speed (2,800 to 3,200 rpm). If a tachometer is not available, the idle speed may be adjusted as follows (Figure 3):
 1. Turn idle speed screw clockwise until blades or lower drive begins to move.
 2. Turn idle speed screw counterclockwise until blades stop.
 3. Turn idle speed screw approximately 1/4 turn more.
- If the engine does not idle properly after this adjustment, contact your nearest Green Machine® dealer for service.
- Condition of the air cleaner is very important to the operation and left of the engine, and also has a major effect on carburetor adjustments. The air cleaner should be checked for cleanliness before each use, and before making any carburetor adjustment.



MAINTENANCE

After each use

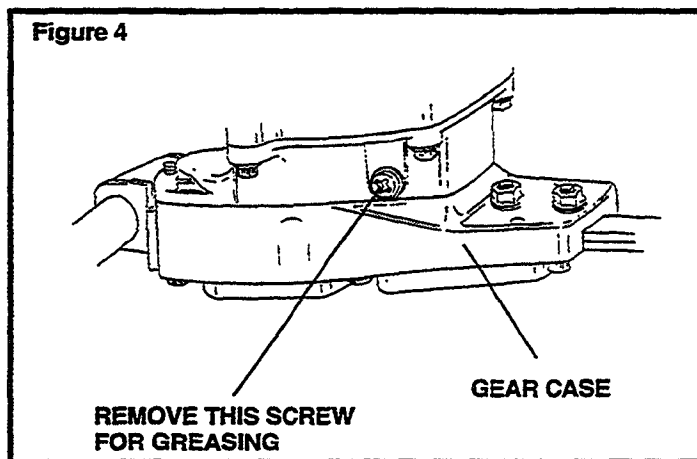
- Thoroughly clean the blades with a stiff brush in warm soapy water and wipe clean with a dry cloth. Coat the blades with SAE 10 or a thin machine oil.

10 hours

- Each 10 hours or less the air filter should be serviced by removing the filter element and washing in kerosene, cleaning solvent, or detergent and squeeze dry.
- Place a few drops of SAE 30 engine oil on the element and squeeze it to spear oil. Re-install filter.
- Check all bolts, and fasteners for tightness.

30 hours

- Grease the internal gears and bearings with a manual type grease gun by removing the screw shown in Figure 4. 3 to 4 pumps of the gun will supply sufficient grease. Do not pack. Use multi-purpose gear and bearing grease. Do not use moly or graphite base grease. Use grade No. 2 grease.
- Re-adjust the cutter blades by loosening all the acorn nuts on the top side of the cutter bar, including those at the handle.
- Tighten all the blade bolts on the bottom of the cutter bar firmly. Then, loosen each bolt approximately 1/2 turn or until the blade washer can be slightly turned.
- Re-tighten the acorn nuts, while holding the blade bolts and recheck the blade washers for the correct looseness. If the washer looseness has changed, the blade bolt must be re-adjusted.
- **Important:** The blade bolts should be adjusted only after the blades have been thoroughly cleaned with a stiff brush in warm soapy water, dried and lightly oiled.



30 hour Service, or Once a Week for Commercial Use.

- All items under daily service plus:
- Remove, clean, and re-gap spark plug (0.7mm/0.025 inches) (Figure 6).
- Clean and service air filter (after cleaning, put a small amount of engine oil on sponge and squeeze out excess) (Figure 5).
- Remove cylinder cover and clean out all dust, dirt, and foreign material.
- Check fuel filter in tank and clean if needed.
- Return the trimmer to your Green Machine® Dealer for normal servicing, blade sharpening, and adjustment.
- **Note:** It is recommended that blade sharpening be performed by a Green Machine® Service Dealer - who is equipped to do this type of service.

BEFORE EACH USE

- Inspect trimmer for loose or missing parts.
- Inspect air cleaner for cleanliness.
- Make sure no fuel or grease is leaking. If so, correct before using.
- Make sure all air passages are free of dirt and other foreign material.
- Make sure the blade washers and blades are free and clean.

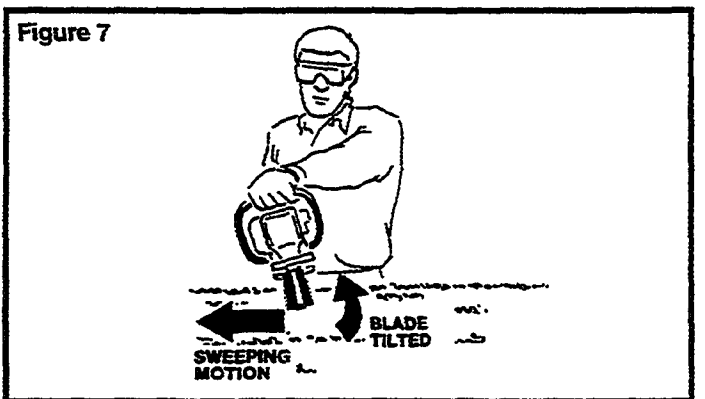
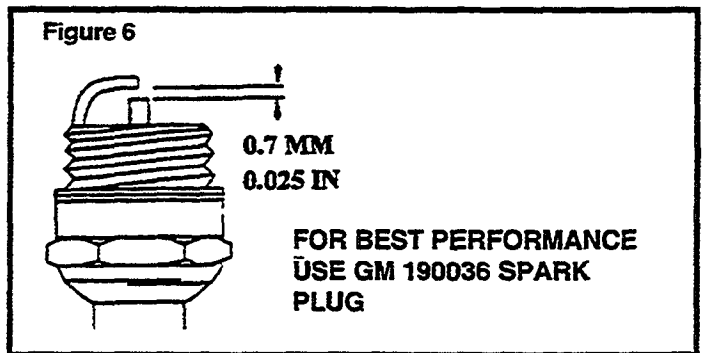
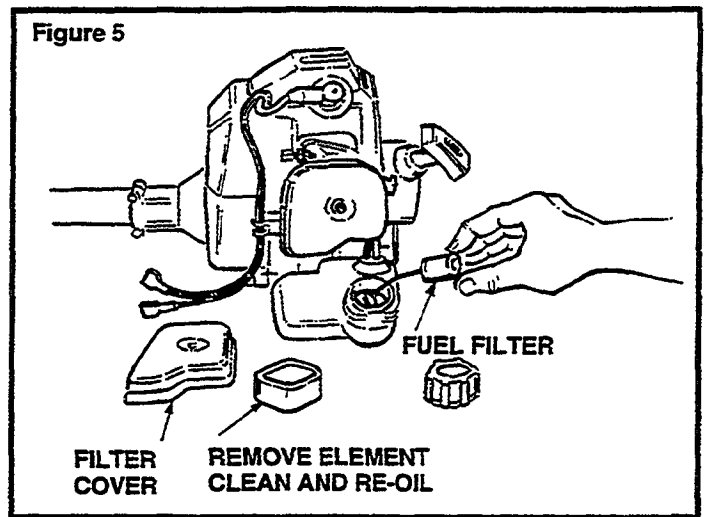
CUTTING TIPS

- Always keep your body to the carburetor side of your trimmer, never on the muffler side.
- Keep a firm grip on both handles at all times.
- Always wear goggles and gloves.
- Use only as much throttle as is needed to do the job. Excessive engine speed is unnecessary.
- Make sure your footing and balance are good while trimming.
- Use a side, sweeping motion to slowly feed blades into shrubbery. Tilt blade downward in the direction of sweeping motion for best cutting.
- Feed blades more slowly for heavier shrubbery. Do not attempt to cut twigs larger than 3/8" thick.

If blades should become jammed, stop engine before attempting to remove obstruction.

STORAGE

- Never store your hedge trimmer for a long period without performing the following:
- Completely drain the fuel tank.
- Start the engine and run it at idle until it stops.
- Remove the spark plug, pour a few drops of 2-cycle oil into the combustion chamber through the spark plug hole, crank the engine over a few times. Reinstall the spark plug tightly.
- Clean and oil the blades as outlined in the maintenance section.
- Store the hedge trimmer in a dry, clean place.



**MITSUBISHI HEAVY INDUSTRIES, LTD. (MHI) AND THE CALIFORNIA AIR RESOURCES BOARD
EMISSION CONTROL SYSTEM WARRANTY STATEMENT
(Owner's Defect Warranty Rights and Obligations)**

In the interest of the environment, MHI engines that meet strict emission requirements are labeled. "This ULGE engine conforms to 1995-1996 California Emission Control Regulations".

California Emission Control Defects Warranty Statement

The California Air Resources Board and MHI are pleased to explain the emission control system warranty on your 1995 utility or lawn and garden equipment engine (ULGE). In California, new utility or lawn and garden equipment engines must be designed, built and equipped to meet the state's stringent anti-smog standards. MHI must warrant the emission control system on your engine for the periods of time listed below. Provided there has been no abuse, neglect or improper maintenance of your utility or lawn and garden equipment engine.

Your emission control system includes parts such as the carburetor, air cleaner, ignition system, muffler and catalytic converter. Also included may be connectors and other emission related assemblies.

Where a warrantable condition exists, MHI will repair your utility or lawn and garden equipment engine at no cost to you including diagnosis, parts and labor.

MITSUBISHI HEAVY INDUSTRIES, LTD. Emission Control Defects Warranty Coverage

The utility or lawn and garden equipment engines are warranted relative to emission control parts defects for a period of two years, subject to provisions set forth below. If any covered part on your engine is defective, the part will be repaired or replaced by MHI.

Owner's Warranty Responsibilities

As the utility or lawn and garden equipment owner, you are responsible for the performance of the required maintenance listed in your Owner's Manual. MHI recommends that you retain all your receipts covering maintenance on your utility or lawn and garden equipment engine, but MHI cannot deny warranty solely for the lack of receipts or for your failure to ensure the performance of all scheduled maintenance.

As the utility or lawn and garden equipment engine owner, you should however be aware that MHI may deny you warranty coverage if your utility or lawn and garden equipment engine or a part has failed due to abuse, neglect, improper maintenance or unproved modifications.

YOU ARE RESPONSIBLE FOR PRESENTING YOUR UTILITY OR LAWN AND GARDEN EQUIPMENT ENGINE TO AN AUTHORIZED SERVICE DEALER OR LAWN AND GARDEN EQUIPMENT MANUFACTURER TO WHOM MHI WOULD SELL ENGINES AS SOON AS A PROBLEM EXISTS. THE UNDISPUTED WARRANTY REPAIRS SHOULD BE COMPLETED IN A REASONABLE AMOUNT OF TIME, NOT TO EXCEED 30 DAYS. IF YOU HAVE ANY QUESTION REGARDING YOUR WARRANTY RIGHTS AND RESPONSIBILITIES, YOU SHOULD CONTACT GREEN MACHINE'S CUSTOMER REPRESENTATIVE AT 1-704-588-3200.

THE EMISSION WARRANTY IS A DEFECTS WARRANTY. DEFECTS ARE JUDGED ON NORMAL ENGINE PERFORMANCE. THE WARRANTY IS NOT RELATED TO AN IN-USE EMISSION TEST.

MITSUBISHI HEAVY INDUSTRIES, LTD. Emission Control Defects Warranty Provisions

The following are specific provisions relative to your Emission Control Defects Warranty Coverage. It is in addition to the MHI engine warranty for non-regulated engines found in the Owner's Manual.

1. WARRANTED PARTS

COVERAGE UNDER THIS WARRANTY EXTENDS ONLY TO THE PARTS LISTED BELOW (THE EMISSION CONTROL SYSTEMS PARTS) TO THE EXTENT THESE PARTS WERE PRESENT ON THE ENGINE PURCHASED.

FUEL METERING SYSTEMS

**CARBURETOR AND INTERNAL PARTS
COLD START ENRICHMENT SYSTEM (SOFT CHOKE)
FUEL FILTER (UP UNTIL THE FIRST SCHEDULED CHANGE)
FUEL INLET HOSE
FUEL OUTLET HOSE**

AIR INDUCTION SYSTEM

AIR FILTER (ELEMENT)

IGNITION SYSTEM

**SPARK PLUG(S)
MAGNETO IGNITION SYSTEM**

2. LENGTH OF COVERAGE

MHI WARRANTS TO THE INITIAL OWNER AND EACH SUBSEQUENT PURCHASER THAT THE WARRANTED PARTS SHALL BE FREE FROM DEFECTS IN MATERIALS AND WORKMANSHIP WHICH CAUSE THE FAILURE OF THE WARRANTED PART(S) FOR A PERIOD OF TWO YEARS FROM THE DATE THE ENGINE IS DELIVERED TO A RETAIL PURCHASER.

3. NO CHARGE

REPAIR OR REPLACEMENT OF ANY WARRANTED PART WILL BE PERFORMED AT NO CHARGE TO THE OWNER, INCLUDING DIAGNOSTIC LABOR WHICH LEADS TO THE DETERMINATION THAT A WARRANTED PART IS DEFECTIVE, IF THE DIAGNOSTIC WORK IS PERFORMED AT AN AUTHORIZED SERVICE DEALER OF LAWN AND GARDEN EQUIPMENT MANUFACTURER TO WHOM MHI WOULD SELL ENGINES.

4. CLAIMS AND COVERAGE EXCLUSIONS

WARRANTY CLAIMS SHALL BE FILLED IN ACCORDANCE WITH THE PROVISIONS OF THE MHI ENGINE WARRANTY POLICY. WARRANTY COVERAGE SHALL BE EXCLUDED FOR FAILURES OF WARRANTED PARTS WHICH ARE NOT ORIGINAL MHI PARTS OR BECAUSE OF ABUSE, NEGLIGENCE OR IMPROPER MAINTENANCE AS SET FORTH IN THE MHI ENGINE WARRANTY POLICY. MHI IS NOT LIABLE TO COVER FAILURES OR WARRANTED PARTS CAUSED BY THE USE OF ADD-ON, NON-ORIGINAL, OR MODIFIED PARTS.

5. MAINTENANCE

ANY WARRANTED PART WHICH IS NOT SCHEDULED FOR REPLACEMENT AS REQUIRED MAINTENANCE OR WHICH IS SCHEDULED ONLY FOR REGULAR INSPECTION TO THE EFFECT OF "REPAIR OR REPLACE AS NECESSARY" SHALL BE WARRANTED AS TO DEFECTS FOR THE WARRANTY PERIOD. ANY WARRANTED PART WHICH IS SCHEDULED FOR REPLACEMENT AS REQUIRED MAINTENANCE SHALL BE WARRANTED AS TO DEFECTS ONLY FOR THE PERIOD OF TIME UP TO THE FIRST SCHEDULED REPLACEMENT FOR THAT PART. ANY REPLACEMENT PART THAT IS EQUIVALENT IN PERFORMANCE AND DURABILITY MAY BE USED IN THE PERFORMANCE OF ANY MAINTENANCE OR REPAIRS. THE OWNER IS RESPONSIBLE FOR THE PERFORMANCE OF ALL REQUIRED MAINTENANCE, AS DEFINED IN THE MHI OWNER'S MANUAL.

6. CONSEQUENTIAL COVERAGE

COVERAGE HEREUNDER SHALL EXTEND TO THE FAILURE OF ANY ENGINE COMPONENTS CAUSED BY THE FAILURE OF ANY WARRANTED PART STILL UNDER WARRANTY.

NOTES

Lined area for notes.

Green Machine

▲ WARNING ▲
 The engine exhaust from this product contains chemicals known to the State of California to cause cancer, birth defects or other reproductive harm.
CALIFORNIA PROPOSITION 65

15911



Green Machine[®] by John Deere

PRODUCT REGISTRATION CARD

Mr. Mrs. Ms. Miss.

First Name _____ Initial _____ Last Name _____

Job Title _____ Company Name _____

Address _____

City _____ State _____ Zip Code _____ Telephone Number _____

UT Number _____ Serial Number _____ Date of Purchase _____ Price Paid \$ _____

Store Name _____ Customer Number _____

Do you plan to purchase any of the following products in the next 1-12 months? (Check all that apply)

	1-6 Months	7-12 Months		1-6 Months	7-12 Months
Backpack Blowers	<input type="checkbox"/>	<input type="checkbox"/>	String Trimmers	<input type="checkbox"/>	<input type="checkbox"/>
Chain Saws	<input type="checkbox"/>	<input type="checkbox"/>	Brushcutters	<input type="checkbox"/>	<input type="checkbox"/>
Handheld Blowers	<input type="checkbox"/>	<input type="checkbox"/>	Edgers	<input type="checkbox"/>	<input type="checkbox"/>
Hedge Trimmers	<input type="checkbox"/>	<input type="checkbox"/>	Walk-Behind Lawn Mowers	<input type="checkbox"/>	<input type="checkbox"/>

How do you classify your company? (Check all that apply)

Lawn Care Company Golf Course

Landscape Contractor Institutional Grounds Care (parks, government, schools, etc.)

Chemical Application Other

What other equipment do you use regularly in your business? (Check all that apply)

<input type="checkbox"/> Backpack Blowers	<input type="checkbox"/> Hedge Trimmers	<input type="checkbox"/> Tillers
<input type="checkbox"/> Brushcutters	<input type="checkbox"/> Sprayers (Portable)	<input type="checkbox"/> Vacuums
<input type="checkbox"/> Chain Saws	<input type="checkbox"/> Spreaders	<input type="checkbox"/> Walk-Behind Edgers
<input type="checkbox"/> Chipper/Shredders	<input type="checkbox"/> Stick Edgers	<input type="checkbox"/> Other
<input type="checkbox"/> Hand Held Blowers	<input type="checkbox"/> String Trimmers	

Number of people employed by your company:

1 - 14 45 - 59

15 - 29 60 - 74

30 - 44 75 +

Mail to: Green Machine[®]
 Department GM
 P.O. Box 7047
 Charlotte, NC 28241

Green Machine[®]