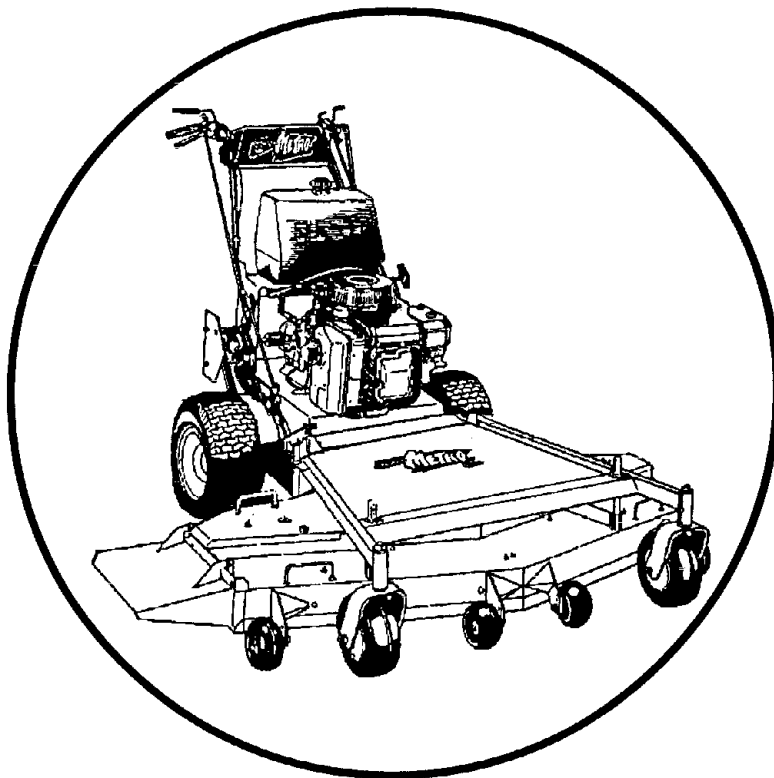




For Serial Nos.
150,000 and Higher

METRO HP



Parts Manual

CONGRATULATIONS on the purchase of your new Exmark mower. This product has been carefully designed and manufactured to give you a maximum amount of dependability and years of trouble-free operation.

If additional information is needed, or should you require trained mechanic service, contact your authorized Exmark equipment dealer or distributor.

If you need to order replacement parts from your dealer, always give the model number and serial number of your mower as well as the part number, description and quantity of the part needed.

The Serial No. plate is located on the top front engine frame on the right hand side of the machine.

For ease of ordering and reference, we suggest that you record the information requested in the following identification table.

Model No. _____

Serial No. _____

Date Purchased _____

Purchased From _____

Part No. 850472



**READ OPERATOR'S MANUAL BEFORE
OPERATING OR SERVICING EXMARK EQUIPMENT.**

TABLE OF CONTENTS

<u>Description</u>	<u>Page</u>
Decals.....	14-15
Engine Deck Group.....	8-11
52" Mower Deck	6-7
48" Mower Deck	4-5
36" Mower Deck	2-3
Upper Handles & Controls	12-13
Wiring Diagrams	16-17

36" MOWER DECK

Ref. No.	Part No. Description	Qty. Req'd.	Ref. No.	Part No. Description	Qty. Req'd.
1	414435 Shield, belt w/decals	1	43	800273 Screw, Hex Cap 5/16-18x1	2
	413098 Shield, belt	1	44	603001 Rod, Deck Support	2
2	323385 Knob, belt shield	4	45	806332 Rollpin, 1/4x1-1/2	2
3	323417 Washer, belt cover.....	4	46	800270 Screw, Hex Cap 5/16-18x5/8	3
4	414309 Support weldmt w/bushings &decals	1	47	414383 Deck weldmt w/decals, discharge baffle & support rods	1
	412108 Support weldmt	1		412104 Deck weldmt	1
5	★ 413425 Spacer, Front Deck Support	2	48	522480 Baffle, discharge	1
6	513336 Bushing, deck support	2	49	613204 Ball Joint	2
7	806007 Hairpin, Cotter	2	50	800299 Screw, Hex Cap 3/8-16x2-3/4	1
8	303164 Spacer, Blade Drive	2	51	800805 Screw, Hex Cap 3/8-16x3-1/2 G8.....	1
9	613203 Link, Deck Support	2	52	633482 Blade, 16.25	2
10	800293 Screw, Hex Cap 3/8-16x1-1/4	20		● 633484 Blade, 16.25 mulching	2
11	804525 Nut, Reg Hex 3/8-24	2		633485 Blade, 16.25 low lift (optional)	2
12	808507 Ring, Retaining	2	53	513208 Washer, Spring disc	4
13	806006 Hairpin, Cotter	2	54	800340 Screw, Hex Cap 5/8-11x1	2
14	811001 Zerk, straight 1/8	2	55	603299 Roller, antiscalp	1
15	800292 Screw, Hex Cap 3/8-16x1	2	56	603602 Bushing, roller	1
16	805006 Washer, 3/8 heavy spring.....	2	57	800807 Screw, Hex Cap 3/8-16x4 G8	1
17	373034 Washer, Swivel	3	58	603050 Bushing Spacer	2
18	303514 Bearing, Flange	4	59	804510 Nut, Reg Hex 5/8-18	2
19	804509 Nut, Reg Hex 1/2-13	2	60	413424 Sheave w/Hub	2
20	805008 Washer, Lock Hlcl Spg 1/2 Reg	2	61	800295 Screw, Hex Cap 3/8-16x1-3/4	2
21	522143 Caster weldmt	2	62	513016 Bearing	4
22	800334 Screw, Hex Cap 1/2-13x6	2	63	614213 Link, Assembly	2
23	809007 Nut, Whizlock 3/8-16	12	64	323532 Housing, Spindle	2
24	303327 Washer, Disc Spring 3/8	11	65	323528 Spacer, Bearing	2
25	513648 Tire & Wheel Assembly	2	66	633573 Gaurd, Bearing-Bottom	2
	513807 Wheel & Hub	2	67	808502 Ring, Snap	2
	513808 Tire, 9x3.50-4 4-ply	2	68	807268 Key, machine	2
	513809 Roller Bearing	2	69	413330 Shaft, Spindle	2
	513810 Bushing	4	70	414335 Housing, Cutter Assembly	2
26	513547 Spacer	2	71	611216 Kit, Link Assembly	2
27	412238 Chute weldmt, discharge	1	72	* 803031 Nut, Torque 3/8-24	2
28	413094 Belt, deck drive	1	73	* Link, Service by 611216	2
29	633151 Spring, extension	1	74	* 809035 Screw, Hex Taptite 3/8x16x1	12
30	804257 Nut, Nyloc 3/8-16	13	75	* 811006 Zerk, Straight 1/4-28	2
31	805260 Washer, Flat Std 3/8	1	76	* 413029 Sheave, w/Hub	2
32	513034 Pivot, Bearing	2	77	* 543436 Washer, .060	4
33	811008 Zerk, 90 degree 1/4-28	1	78	* 303543 Bearing, Spindle	4
34	803016 Bolt, Hex Whizlock 3/8-16x1	1	79	* 303542 O-ring, Cutter Housing	2
35	805259 Washer, Flat 3/8 SAE	2	80	* 413314 Housing, Bearing	2
36	413099 Pulley, Idler	1	81	* 513188 Spacer, Bearing	2
37	412134 Arm, weldmt	1	82	* 513193 Seal, Dust	2
	414144 Arm, Weldmt w/bushings	1	83	* 808506 Ring, Snap	2
38	603384 Bushing, Idler Pivot	1	84	* 413035 Shaft, Spindle	2
39	613098 Pulley, Idler	1	85	* Housing, Cutter Assembly Service by 414335	2
40	413113 Bushing, Idler	1	86	323533 Spacer	2
41	804256 Nut, Nylock 5/16-18	2			
42	809001 Nut, Whizlock 5/16-18	3			

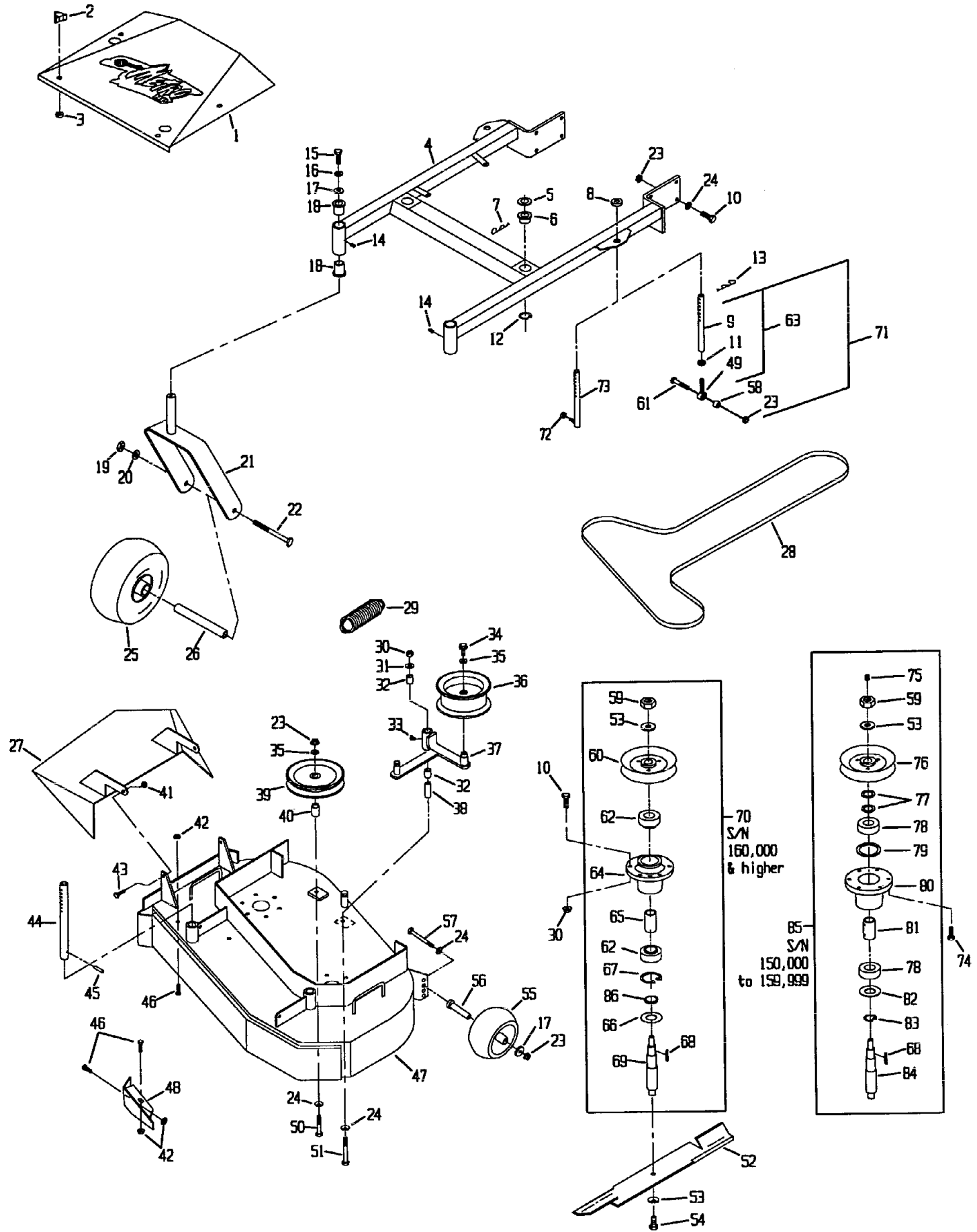
● Requires installation of Micro-Mulch accessory for proper mulching. Mulch kit P/N MK363(36")

★ Replace both sides if unit is equipped with 3/16" thick washers.

* Used on S/N 159,999 and lower only.

Exmark red touch up spray paint - P/N 850337

36" MOWER DECK

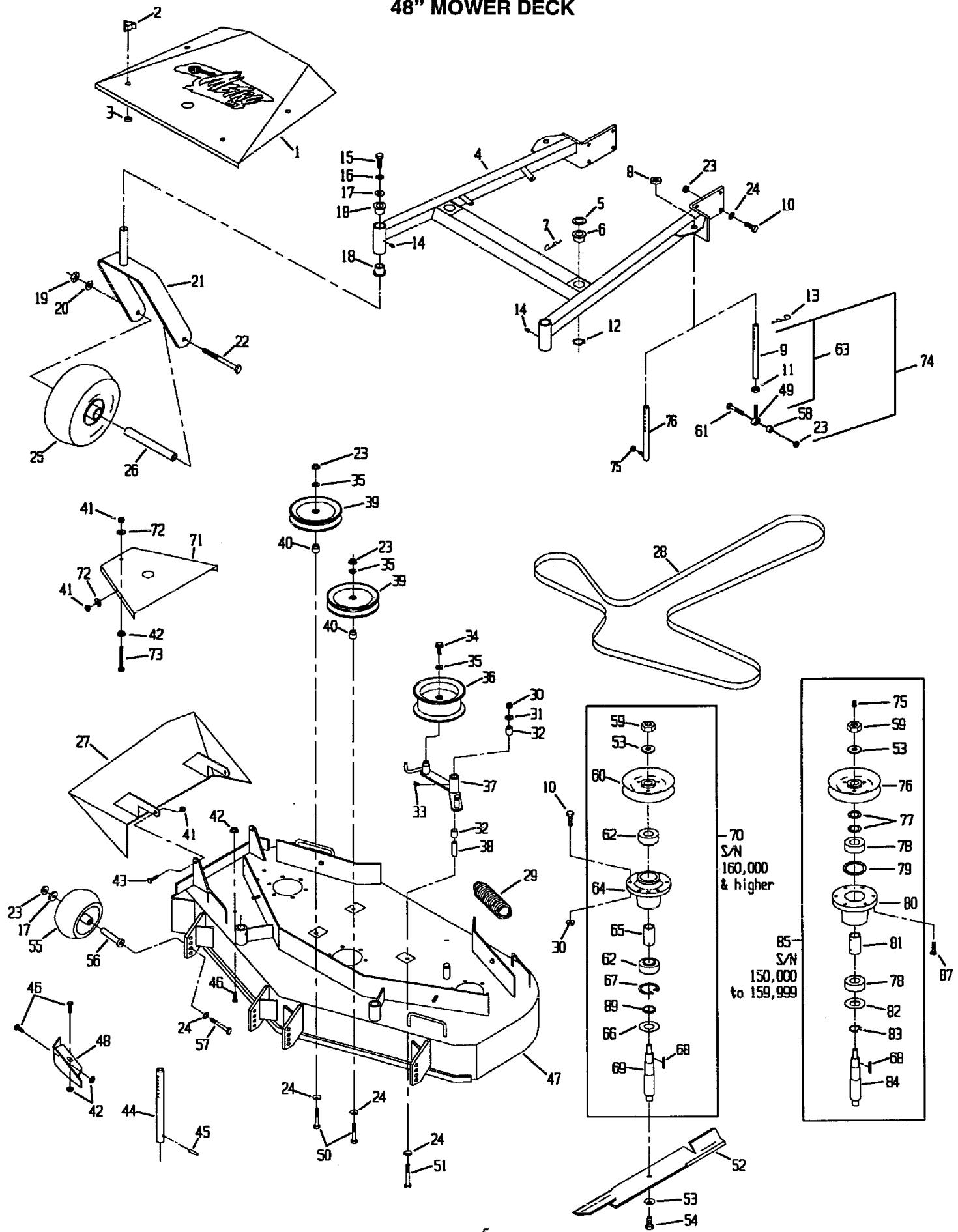


48" MOWER DECK

Ref. No.	Part No.	Description	Qty. Req'd.	Ref. No.	Part No.	Description	Qty. Req'd.
1	414436	Shield, belt w/decals	1	45	806332	Rollpin, 1/4x1-1/2	2
	413101	Shield, belt	1	46	800270	Screw, Hex Cap 5/16-18x5/8	3
2	323385	Knob, belt shield	4	47	414384	Deck weldmt w/decals, discharge baffle & support rods	1
3	323417	Washer, belt cover	4		412106	Deck weldmt	1
4	414310	Support weldmt w/bushings &decals	1	48	522480	Baffle, discharge	1
	412110	Support weldmt	1	49	613204	Ball Joint	2
5	★ 413425	Spacer, Front Deck Support	2	50	800299	Screw, Hex Cap 3/8-16x2-3/4	2
6	513336	Bushing, deck support	2	51	800805	Screw, Hex Cap G8 3/8-16x3-1/2	1
7	806007	Hairpin, Cotter	2	52	323515	Blade, 16.25	3
8	303164	Spacer, Blade Drive	2	●	403148	Blade, 16.25 mulching	3
9	613203	Link, Deck Support	2		403149	Blade, 16.25 low lift (optional)	3
10	800293	Screw, Hex Cap 3/8-16x1-1/4	26	53	513208	Washer, Spring disc	6
11	804525	Nut, Reg Hex 3/8-24	2	54	800340	Screw, Hex Cap 5/8-11x1	3
12	808507	Ring, Retaining	2	55	603299	Roller, antiscalp	4
13	806006	Hairpin, Cotter	2	56	603602	Bushing, roller	4
14	811001	Zerk, straight 1/8	2	57	800807	Screw, Hex Cap G8 3/8-16x4	4
15	800292	Screw, Hex Cap 3/8-16x1	2	58	603050	Bushing Spacer	2
16	805006	Washer, 3/8 heavy spring	2	59	804510	Nut, Reg Hex 5/8-18	3
17	373034	Washer, Swivel	6	60	413424	Sheave w/Hub	3
18	303514	Bearing, Flange	4	61	800295	Screw, Hex Cap 3/8-16x1-3/4	2
19	804509	Nut, Reg Hex 1/2-13	2	62	513016	Bearing	6
20	805008	Washer, Lock Hlcl Spg 1/2 Reg	2	63	614213	Link, Assembly	2
21	522143	Caster weldmt	2	64	323532	Housing, Spindle	3
22	800334	Screw, Hex Cap 1/2-13x6	2	65	323528	Spacer, Bearing	3
23	809007	Nut, Whizlock 3/8-16	16	66	633573	Gaurd, Bearing-Bottom	3
24	303327	Washer, Disc Spring 3/8	15	67	808502	Ring, Snap	3
25	513648	Tire & Wheel Assembly	2	68	807268	Key, machine	3
	513807	Wheel & Hub	2	69	413330	Shaft, Spindle	3
	513808	Tire, 9x3.50-4 4-ply	2	70	414335	Housing, Cutter Assembly	3
	513809	Roller Bearing	2	71	523471	Shield, Belt	2
	513810	Bushing	4	72	805258	Washer, Flat Std 5/16	6
26	513547	Spacer	2	73	800017	Bolt, Hex Tap 5/16-18x3 1/4	2
27	522478	Chute weldmt, discharge	1	74	611216	Kit, Link Assembly	2
28	413093	Belt, deck drive	1	75	* 803031	Nut, Torque 3/8-24	2
29	633151	Spring, extension	1	76	*	Link, Service by 611216	2
30	804257	Nut, Nyloc 3/8-16	19	77	* 413029	Sheave, w/Hub	3
31	805260	Washer, Flat Std 3/8	1	78	* 543436	Washer, .060	6
32	513034	Pivot, Bearing	2	79	* 303543	Bearing, Spindle	6
33	811008	Zerk, 90 degree 1/4-28	1	80	* 303542	O-ring, Cutter Housing	6
34	803016	Bolt, Whizlock 3/8-16x1	1	81	* 413314	Housing, Bearing	3
35	805259	Washer, Flat 3/8 SAE	3	82	* 513188	Spacer, Bearing	3
36	413099	Pulley, Idler	1	83	* 513193	Seal, Mech Dust	3
37	412394	Arm, weldmt	1	84	* 808506	Ring, Snap	3
	414398	Arm, Weldmt w/bushings	1	85	* 413035	Shaft, Spindle	3
38	603384	Bushing, Idler Pivot	1	86	*	Housing, Cutter Assembly, Service by 414335	3
39	613098	Pulley, Idler	2	87	* 809035	Screw, Hex Taptite 3/8x16x1	18
40	413113	Bushing, Idler	2	88	* 811006	Zerk, Straight 1/4-28	3
41	804256	Nut, Nylock 5/16-18	8	89	323533	Spacer	3
42	809001	Nut, Whizlock 5/16-18	5				
43	800273	Screw, Hex Cap 5/16-18x1	2				
44	603001	Rod, Deck Support	2				

- Requires installation of Micro-Mulch accessory for proper mulching. Mulch kit P/N MK483(48")
 - ★ Replace both sides if unit is equipped with 3/16" thick washers.
 - * Used on S/N 159,999 and lower only.
- Exmark red touch up spray paint - P/N 850337

48" MOWER DECK



52" MOWER DECK

Ref. No.	Part No.	Description	Qty. Req'd.	Ref. No.	Part No.	Description	Qty. Req'd.
1	414437	Shield, belt w/decals	1	44	603001	Rod, Deck Support	2
	413303	Shield, belt	1	45	806332	Rollpin, 1/4x1-1/2	2
2	323385	Knob, belt shield	5	46	800270	Screw, Hex Cap 5/16-18x5/8	4
3	323417	Washer, belt cover.....	5	47	414385	Deck weldmt w/decals, discharge baffle & support rods	1
4	414311	Support weldmt w/bushings &decals	1		412313	Deck weldmt	1
	412317	Support weldmt	1	48	602913	Baffle, discharge	1
5	★ 413425	Spacer, Front Deck Support	2	49	613204	Ball Joint	2
6	513336	Bushing, deck support	2	50	800299	Screw, Hex Cap 3/8-16x2-3/4	2
7	806007	Hairpin, Cotter	2	51	800805	Screw, Hex Cap 3/8-16x3-1/2 G8	1
8	303164	Spacer, Blade Drive	2	52	633482	Blade, 16.25	3
9	613203	Link, Deck Support	2	● 633484	Blade, 16.25 mulching	3	
10	800293	Screw, Hex Cap 3/8-16x1-1/4	26	633485	Blade, 16.25 low lift (optional)	3	
11	804525	Nut, Reg Hex 3/8-24	2	53	513208	Washer, Spring disc	6
12	808507	Ring, Retaining	2	54	800340	Screw, Hex Cap 5/8-11x1	3
13	806006	Hairpin, Cotter	2	55	603299	Roller, antiscalp	6
14	811001	Zerk, straight 1/8	2	56	603602	Bushing, roller	6
15	800292	Screw, Hex Cap 3/8-16x1	2	57	800807	Screw, Hex Cap 3/8-16x4 G8	6
16	805006	Washer, 3/8 heavy spring.....	2	58	603050	Bushing Spacer	2
17	373034	Washer, Swivel	8	59	804510	Nut, Reg Hex 5/8-18	3
18	303514	Bearing, Flange	4	60	413424	Sheave w/Hub	3
19	804509	Nut, Reg Hex 1/2-13	2	61	800295	Screw, Hex Cap 3/8-16x1-3/4	2
20	805008	Washer, Lock Hlcl Spg 1/2 Reg	2	62	513016	Bearing	6
21	522143	Caster weldmt	2	63	614213	Link, Assembly	2
22	800334	Screw, Hex Cap 1/2-13x6	2	64	323532	Housing, Spindle	3
23	809007	Nut, Whizlock 3/8-16	18	65	323528	Spacer, Bearing	3
24	303327	Washer, Disc Spring 3/8	17	66	633573	Guard, Bearing-Bottom	3
25	513648	Tire & Wheel Assembly	2	67	808502	Ring, Snap	3
	513807	Wheel & Hub	2	68	807268	Key, machine	3
	513808	Tire, 9x3.50-4 4-ply	2	69	413330	Shaft, Spindle	3
	513809	Roller Bearing	2	70	414335	Housing, Cutter Assembly	3
	513810	Bushing	4	71	413305	Shield, Belt	2
26	513547	Spacer	2	72	* 803031	Nut, Torque 3/8-24	2
27	602571	Chute weldmt, discharge	1	73	*	Link, Service by 611216	2
28	413308	Belt, deck drive	1	74	611216	Kit, Link Assembly	2
29	633151	Spring, extension	1	75	* 811006	Zerk, Straight 1/4-28	3
30	804257	Nut, Nyloc 3/8-16	27	76	* 413029	Sheave, w/Hub	3
31	805260	Washer, Flat Std 3/8	9	77	* 543436	Washer, .060	6
32	513034	Pivot, Bearing	2	78	* 303543	Bearing, Spindle	6
33	811008	Zerk, 90 degree 1/4-28	1	79	* 303542	O-ring, Cutter Housing	3
34	803016	Bolt, Whizlock 3/8-16x1	1	80	* 413314	Housing, Bearing	3
35	805259	Washer, Flat 3/8 SAE	3	81	* 513188	Spacer, Bearing	3
36	413099	Pulley, Idler	1	82	* 513193	Seal, Dust	3
37	412394	Arm, weldmt	1	83	* 808506	Ring, Snap	3
	414398	Arm, Weldmt w/bushings	1	84	* 413035	Shaft, Spindle	3
38	603384	Bushing, Idler Pivot	1	85	*	Housing, Cutter Assembly, Service by 414335	3
39	613098	Pulley, Idler	2	86	* 809035	Screw, Hex Tapite 3/8x16x1	18
40	413113	Bushing, Idler	2	87	323533	Spacer	3
41	804256	Nut, Nylock 5/16-18	2				
42	809001	Nut, Whizlock 5/16-18	4				
43	800273	Screw, Hex Cap 5/16-18x1	2				

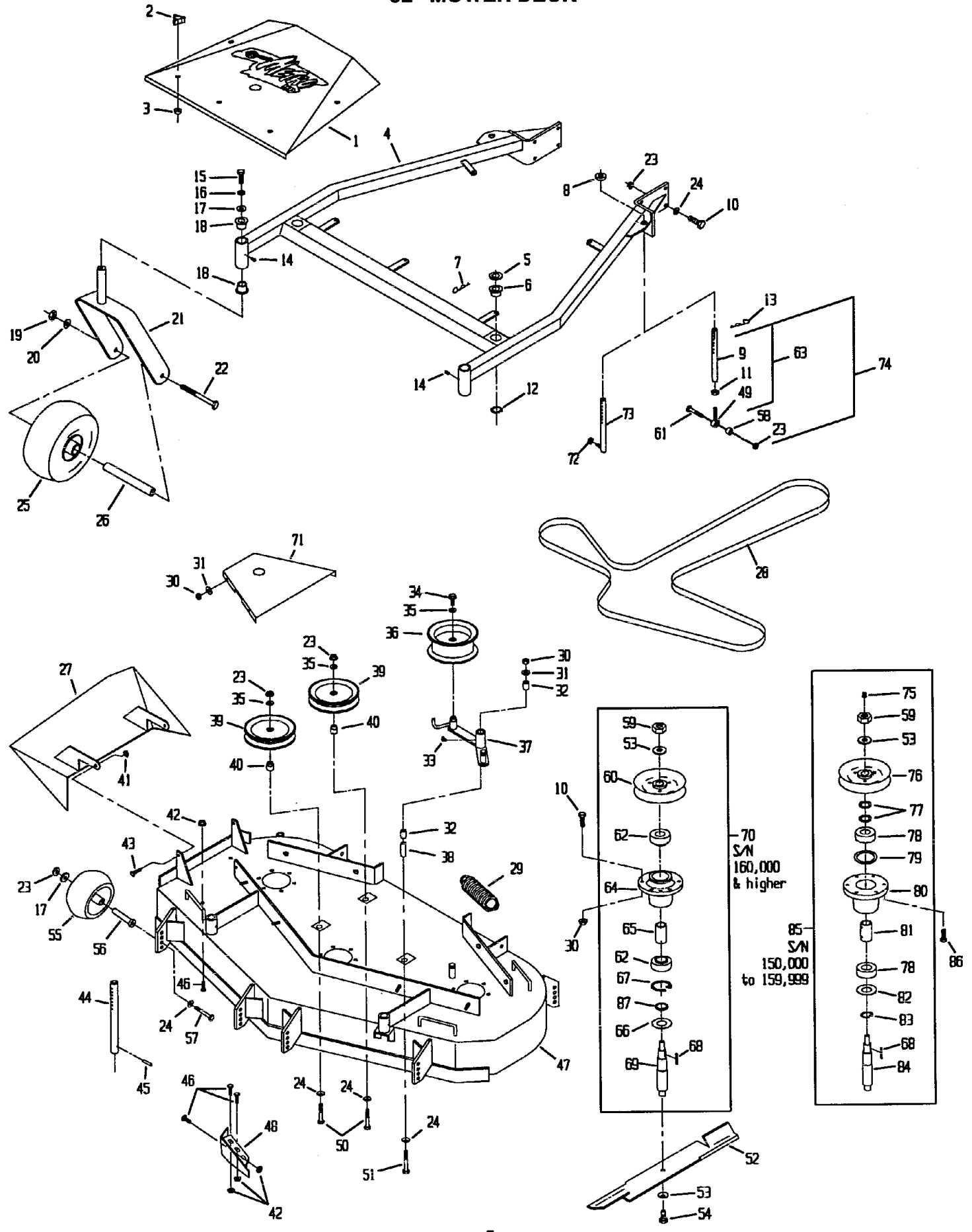
● Requires installation of Micro-Mulch accessory for proper mulching. Mulch kit P/N MK523(52")

★ Replace both sides if unit is equipped with 3/16" thick washers.

* Used on S/N 159,999 and lower only.

Exmark red touch up spray paint - P/N 850337

52" MOWER DECK



ENGINE DECK GROUP

Ref. No.	Part No.	Description	Qty. Req'd.	Ref. No.	Part No.	Description	Qty. Req'd.
1	323250	Grip, Foam	1	45	800032	Bolt, Hex Tap 3/8-16x3	2
2	804264	Nut, Nyloc 3/8-24	1	46	323368	Swivel, Short	2
3	303327	Washer, Disc Spring 3/8	7	47	323548	Linkage, Brake	2
4	323379	Washer, Shifter Lever	1	48	322125	Swivel, Weldmt Brake Linkage	2
5	323500	Transmission, Peerless	1	49	323245	Spring, Compression	2
6	811006	Zerk, Straight 1/4-28 5/32	6	50	805257	Washer, Flat SAE 5/16	4
7	323501	Coupling, Transmission 9 spline	2	51	513959	Wingnut, Nyloc 5/6	2
8	807009	Key Woodruff #9 3/4x3/16	3	52	412373	Deck, Weldmt Engine	1
9	323502	Shaft, Transmission Output 9 spline.....	2	53	808522	Ring, Klip 3/8	2
10	322152	Lever, Shift w/Grip.....	1	54	808520	Ring, Klip 5/16	2
11	303282	Switch, Neutral Start	1	55	323283	Spacer, Shield	4
12	809013	Screw, Hex Tap 5/16-18x3/4	4	56	412379	Arm, Wldmt RH (shown).....	1
13	809001	Nut, Whizlock 5/16-18	14		412378	Arm, Wldmt LH	1
14	323387	Plate, Shifter	1	57	800275	Screw, Hex Cap 5/16-18x1 1/2	2
15	807503	Bolt, Carriage 5/16-18x3/4	2	58	804256	Nut, Nyloc 5/16-18.....	2
16	323389	Leg, Shifter Plate	2	59	800306	Screw, Hex Cap 3/8-16x5	4
17	323526	Ball, Stainless Steel	1	60	413359	Shield, Wheel Drive	2
18	805005	Washer, Lock Hchl Spg 5/16	4	61	800274	Screw, Hex Cap 5/16-18x1 1/4	8
19	800271	Screw, Hex Cap 5/16-18x3/4	4	62	323261	Brake Drum	2
20	808523	Ring, Retaining	2	63	413331	Sheave, Wheel Drive w/offset	2
21	323252	Bearing, Transmission Shaft	2	64	413332	Sheave, Wheel Drive	2
22	804255	Nut, Nyloc 1/4-20	4	65	543511	Seal, Grease	2
23	800251	Screw, Hex Cap 1/4-20x5/8	4	66	543509	Cone, Bearing L44643	4
24	323254	Flange, Output	2	67	543508	Cup, Bearing L44610.....	4
25	✧ 803310	Screw, Set 5/16-18x3/8	2	68	413333	Wheel, Hub w/cups	2
26	413355	Sleeve, Axle	1	69	523157	Washer, Spacer	2
27	413334	Sheave, Transmission Output	2	70	806800	Pin, Cotter 9/64x1-1/2	2
28	809007	Nut, Whizlock 3/8-16	28	71	809082	Nut, Slotted Hex	2
29	412376	Axle Weldmt	2	72	543513	Cap, Grease	2
30	543556	Spacer, Wheel	2	73	603714	Wheel & Tire Assembly	2
31	413347	Bushing, Sleeve	4		603427	Tire 16x6.50-8	2
32	414375	Lever, Brake RH w/bushings (shown) ...	1		603715	Wheel	2
	414374	Lever, Brake LH w/bushings	1	74	513011	Nut, Wheel 1/2-20	8
33	413344	Bushing, Pivot	2	75	413341	Belt, Wheel Drive Banded	2
34	805260	Washer, Flat Std 3/8	2	76	411255	Kit, Sulky Hitch	1
35	800296	Screw, Hex Cap 3/8-16x2	2	77	413252	Bracket, Sulky LH	1
36	803051	Nut, Push .38	2	78	413254	Bracket, Sulky RH	1
37	800295	Screw, Hex Cap 3/8-16x1 3/4	2	79	▲ 403124	Elbow, Street 3/8 NPT (B&S).....	1
38	323262	Brake Band	2	80	▲ 543233	Cap, 3/8 NPT Hex (Koh & B&S).....	1
39	323307	Pin, Clevis	2	81	▲ 543232	Nipple, 3/8 NPTx4 (B&S)	1
40	800292	Screw, Hex Cap 3/8-16x1	12	82	▲ 323326	Nipple, 3/8 NPTx3 (Koh)	1
41	804752	Nut, Jam 3/8-16	2	83	▲ 303431	Elbow, Brass 90° (Koh & B&S).....	1
42	804257	Nut, Nyloc 3/8-16	6	84	412358	Scraper, Wldmt	2
43	603402	Spring, Extension	2	85	413353	Pin, Threaded	2
44	323277	Idler, Wheel Drive	2	86	806003	Cotter, Hairpin .0585 #2	2

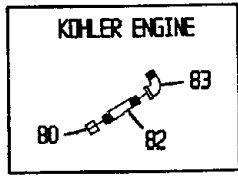
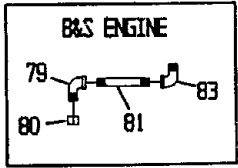
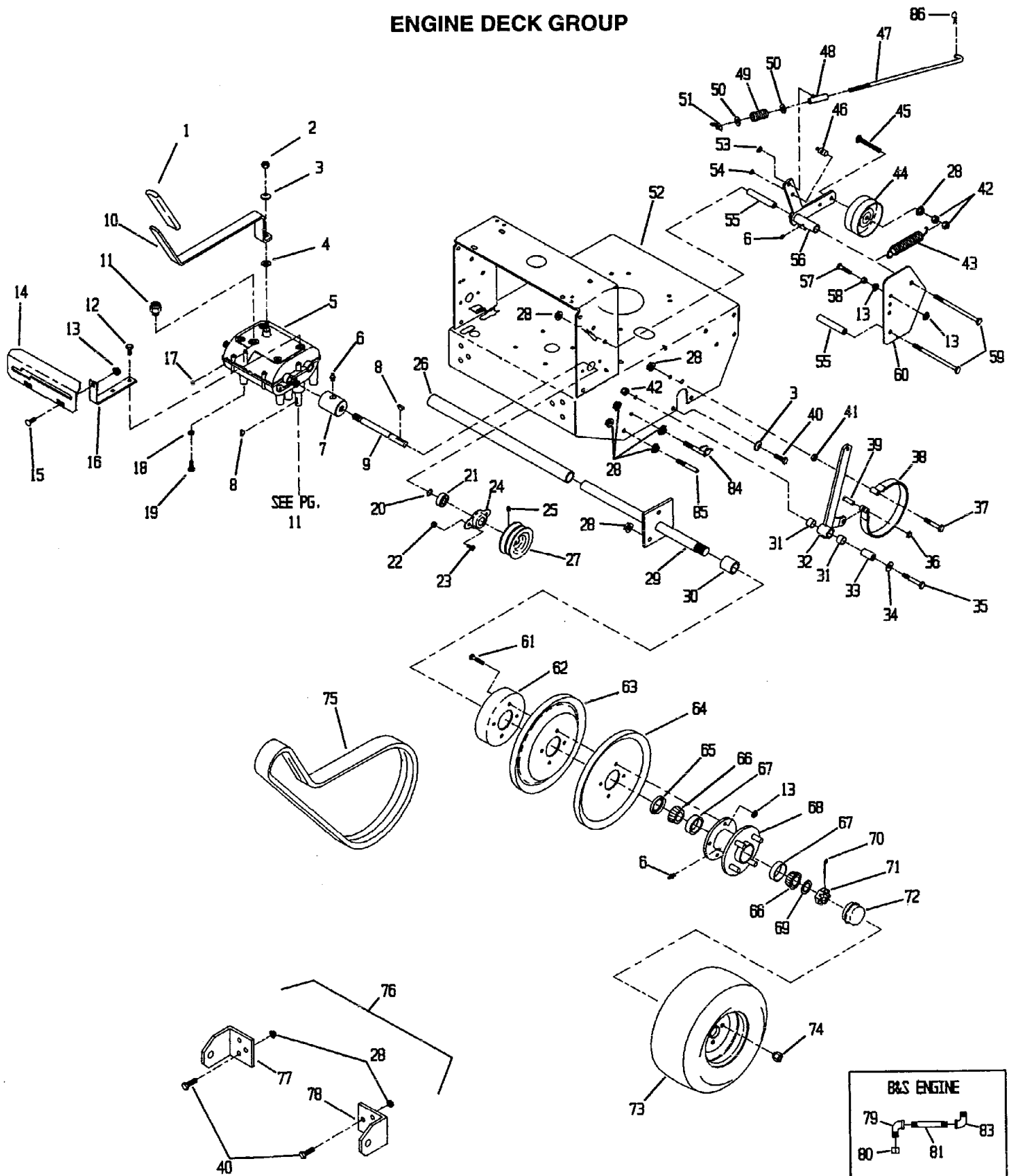
✧ Use Pro-lock (Nut type) Part No. 840022 (.5ml tube) on setscrew threads.

▲ Use Teflon Pipe Sealant (or equivalent) on all threaded areas.

Exmark red touch up spray paint - P/N 850337

Exmark black touch up spray paint - Gloss black

ENGINE DECK GROUP



ENGINE DECK GROUP (CONT.)

Ref. No.	Part No. Description	Qty. Req'd.	Ref. No.	Part No. Description	Qty. Req'd.
1	800273 Screw, Hex Cap 5/16-18x1	6	33	414143 Link Pivot w/Bearing	1
2	805258 Washer, Flat Std 5/16	2	34	811006 Zerk, Straight 1/4-28	1
3	809001 Nut, Whizlock 5/16-18 (Kaw 14 HP & Koh	7	35	603044 Bushing, Idler Pivot	1
	809001 Nut, Whizlock 5/16-18 (Kaw 17 HP & B&S	11	36	800297 Screw, Hex Cap 3/8-16x2-1/4	1
4	413009 Plate, Guard	1	37	800274 Screw, Hex Cap 5/16-18x1-1/4	1
5	◇ 800521 Screw, Hex Cap 3/8-24x1 G8	1	38	800254 Screw, Hex Cap 1/4-20x1	2
6	303327 Washer, Disc Spring 3/8	2	39	809012 Nut, Whizlock 1/4-20	4
	303327 Washer, Disc Spring 3/8 (14 HP Kaw) ..	3	40	523498 Spring, Motion Control	1
7	373034 Washer, Swivel	2	41	303334 Washer, Disc Spring 5/16	5
8	800271 Screw, Hex Cap 5/16-18x3/4	1	42	◇ 809080 Screw, Hex Cap M10x1.55x55 mm	
9	▲ 412031 Sheave, w/Drum (36" & 52")	1		(Kaw 14 HP only)	1
	▲ 412028 Sheave, w/Drum (48")	1	◇	800819 Screw, Hex Cap 7/16-20x2 1/2	
10	807259 Key, Mach 1/4x1/4x1	1		(Koh, B&S, & Kaw 17 HP only)	1
11	412138 Pivot Pin Wldmnt	1	43	603610 Disc, Spring 7/16	
12	413062 Band, Brake Clutch	1		(Koh, B&S, & Kaw 17 HP only)	2
13	804257 Nut, Nyloc 3/8-16	5	44	603609 Bushing, Clutch Keeper	1
14	413235 Washer, Spacer	1	45	▲ 413339 Sheave, Engine	1
15	413207 Pivot, Bearing	2	46	807264 Key, Machine 1/4x1/4x2-5/8	1
16	412417 Arm Weldmt, Clutch	1	47	412325 Guide, Belt Weldmt	1
	414418 Clutch Arm w/Bearings	1	48	413096 Belt, Blade Clutch	1
17	811007 Zerk, 1/4-28x45	1	49	▲ 323278 Sheave, Transmission	1
18	▲ 413111 Bearing, Clutch Shaft	2	50	◇ 803293 Screw, Set 1/4-20x3/8	2
19	808502 Ring, Snap	2	51	805262 Washer, Flat Std 7/16	2
20	413012 Spacer, Bearing Clutch	1	52	805259 Washer, Flat SAE 3/8	1
21	523157 Washer, Spacer	1	53	323285 Idler, Transmission Drive	1
22	▲ 412011 Sheave w/Shaft	1	54	◇ 803310 Screw, Set 5/16-18x3/8	1
23	413049 Plate, Clutch Pivot	1	55	▲ 323256 Sheave, Transmission Drive	1
24	809007 Nut, Whizlock 3/8-16	3	56	413340 Spacer, Crankshaft	1
25	804256 Nut, Nyloc 5/16-18	1	57	323280 Belt, Transmission Drive	1
26	213069 Washer, Strut	1	58	800275 Screw, Hex Cap 5/16-18x1 1/2	
27	513113 Spring, Belt Tension	1		(B&S & Kaw 17 HP)	4
28	543007 Spacer, Clutch Anchor	1		809072 Screw, Hex Cap M8-1.25x25 mm	
29	805260 Washer, Flat Std 3/8	1		(Kaw 14 HP & Koh)	4
30	513034 Pivot, Bearing	2	59	800294 Screw, Hex Cap 3/8-16x1 1/2	2
31	806003 Pin, Hair Cotter .0585 #2	1	60	807511 Bolt, Carriage SSN 3/8-16x2	1
32	413282 Linkage, Lower	1			

◇ Use Pro-lock (Nut type) Part No. 840022 (.5ml tube) on setscrew threads

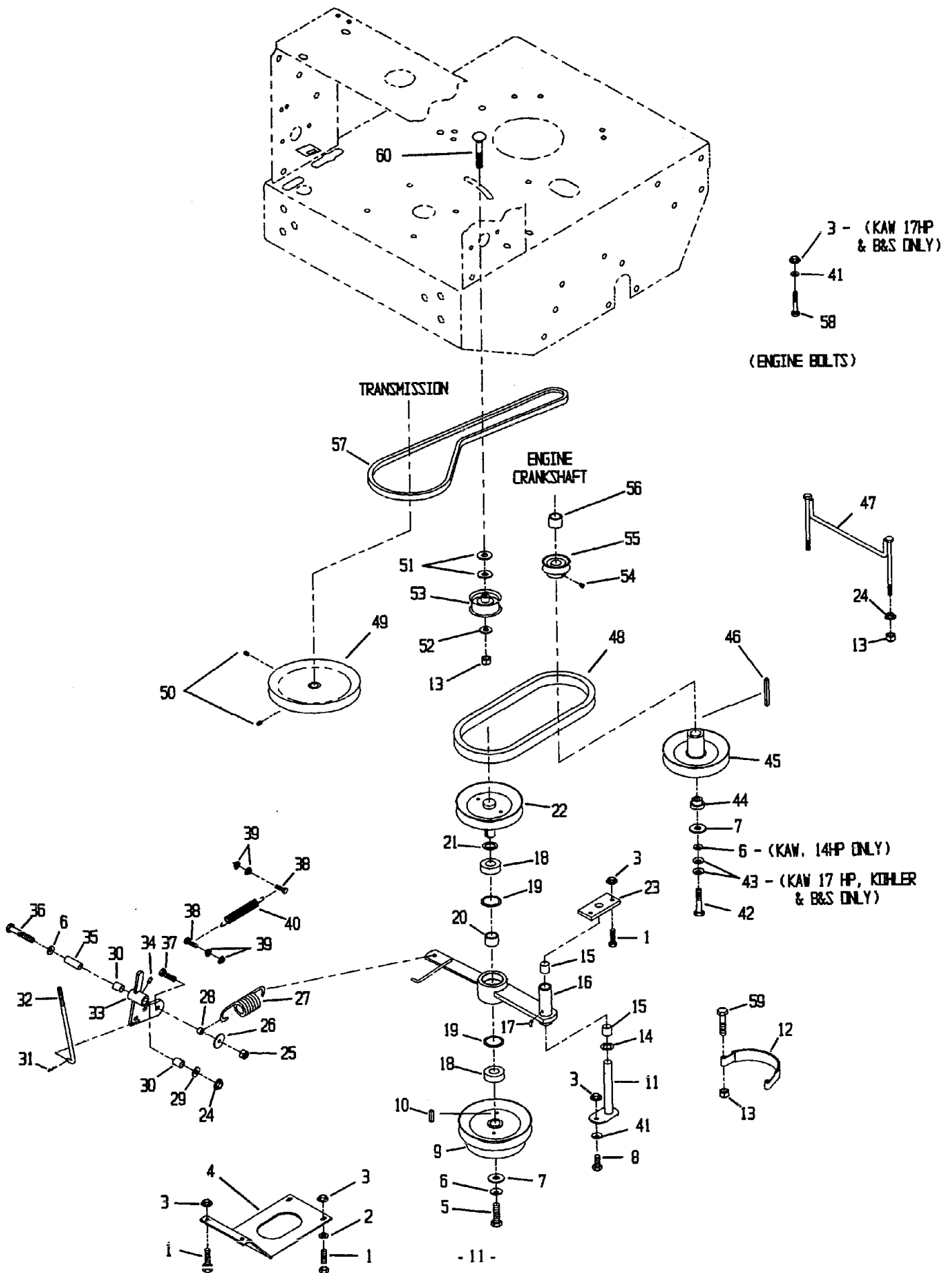
▲ Use anti-seize compound in the following locations:

- ▶ Between the sheave and the engine crankshaft.
- ▶ Between the sheave w/shaft and the bearing bores.
- ▶ Between the sheave w/shaft and the sheave w/drum.
- ▶ Between the transmission shaft and the sheave.

Exmark red touch up spray paint - P/N 850337

Exmark black touch up spray paint - Gloss black

ENGINE DECK GROUP (CONT.)



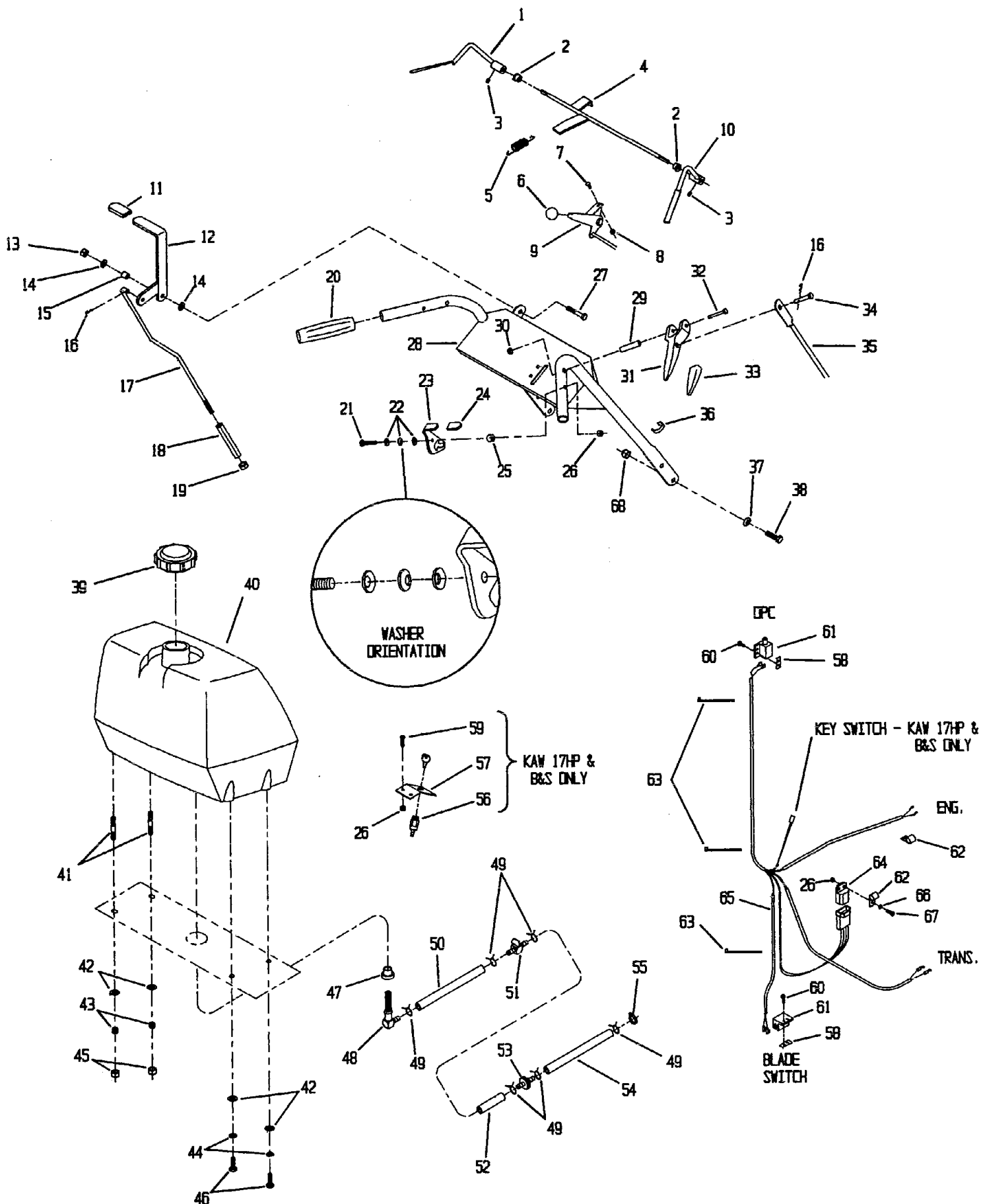
UPPER HANDLES and CONTROLS

Ref. No.	Part No.	Description	Qty. Req'd.
1	▽ 412183	Lever, Widmt OPC LH	1
2	303365	Bushing, Nylon	2
3	♦ 803322	Screw, Set .312-24x.312	2
4	322192	Rod Weldmt, OPC	1
5	303363	Spring, Actuator	1
6	513592	Knob, Ball Red	1
7	807513	Bolt, Carriage #10-24x1/2 G2	2
8	804252	Nut, Nyloc #10-24	2
9	323129	Cable, Throttle Control (Koh & Kaw 14 HP)	1
	633696	Cable, Throttle Control (B&S)	1
	413428	Cable, Throttle Control (Kaw 17 HP)	1
10	▽ 412185	Lever, Widmt OPC RH	1
11	303020	Grip, Lever	1
12	414234	Clutch Lever w/Grip	1
13	804257	Nut, Nyloc 3/8-16	1
14	805260	Washer, Flat Std 3/8	2
15	413088	Spacer	1
16	806003	Pin, Hair Cotter .0585 #2	3
17	413293	Linkage, Upper	1
18	413279	Turnbuckle, 3/8-16 SS	1
19	804507	Nut, Reg Hex 3/8-16	1
20	303097	Grip, Handle	2
21	800259	Screw, Hex Cap 1/4-20x2 1/4	2
22	303435	Washer, Disc Spring 1/4	6
23	324279	Latch, thumb LH w/grip	1
	324280	Latch, thumb RH w/grip	1
24	303019	Grip, Latch	2
25	323549	Spacer	2
26	804255	Nut, Nyloc 1/4-20	3
	804255	Nut, Nyloc 1/4-20 (B&S & Kaw 17 HP) ..	5
27	800295	Screw, Hex Cap 3/8-16x1-3/4	1
28	412372	Handle Widmt	1
29	806340	Pin, Roll 5/16x1.....	2
30	803001	Nut, Pal 3/16	2
31	302006	Lever, Drive w/grip	2
32	808250	Pin, Clevis 3/16x1 3/4	2
33	303021	Grip, Drive Lever	1
34	808286	Pin, Clevis 5/16x1 7/8	2
35	413338	Linkage, Drive Wheel	2
36	303088	Clip, Cable	1
37	303327	Washer, Disc Spring 3/8	4

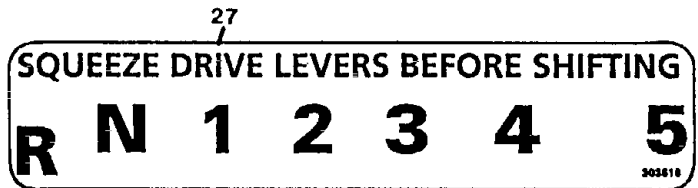
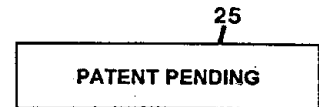
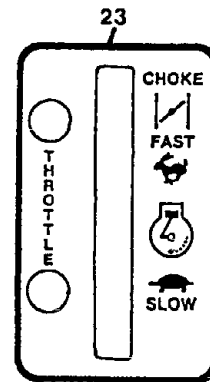
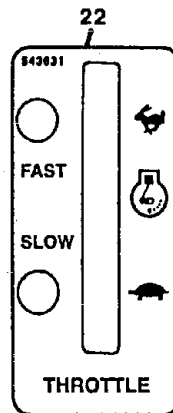
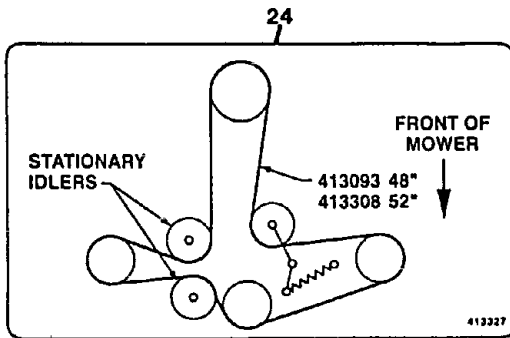
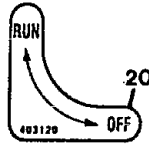
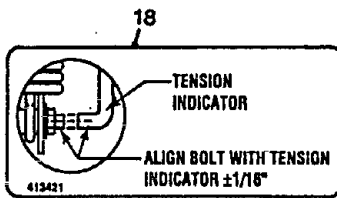
Ref. No.	Part No.	Description	Qty. Req'd.
38	800292	Screw, Hex Cap 3/8-16x1	4
39	513508	Cap, Fuel Tank	1
40	413179	Tank, Fuel Intermediate	1
41	▽ 633023	Stud	2
42	805257	Washer, Flat SAE 5/16	4
43	633349	Spring, Fuel tank	2
44	805005	Washer, Lock Hlcl Spg 5/16 Hvy	2
45	804256	Nut, Nyloc 5/16-18	2
46	800271	Screw, Hex Cap 5/16-18x3/4	2
47	513645	Bushing, Fuel Valve	1
48	543277	Elbow w/Screen	1
49	303077	Clamp, Fuel line (B&S & Kaw 17 HP) ..	4
	303077	Clamp, Fuel line (Kaw 14 HP)	5
	303077	Clamp, Fuel line (Koh)	6
50	603955	Hose, Fuel line 6" (Koh & Kaw 14 HP) .	1
	543649	Hose, Fuel line 7" (B&S & Kaw 17 HP) .	1
51	603770	Valve, Fuel	1
52	603776	Hose, Fuel line 2.5" (Kaw 14 HP & Koh)	1
	303471	Hose, Fuel line 12" (B&S & Kaw 17 HP)	1
53	303197	Filter, Fuel	1
54	303471	Hose, Fuel line 12" (Kaw 14 HP)	1
	603954	Hose, Fuel line 13.75" (Koh)	1
55	303308	Clamp, Fuel line (Kaw 14 HP)	1
56	403121	Switch, On/Off (B&S & Kaw 17 HP)	1
	603511	Key, Ignition	1
57	403118	Bracket, Key Switch (B&S & Kaw 17 HP)	1
58	633181	Plate, Tapped	2
59	800251	Screw, Hex Cap 1/4-20x5/8 (B&S & Kaw 17 HP)	2
60	803028	Screw, Mach CRPH 10-24x5/8	4
61	513051	Switch, Neutral Lockout	2
62	323229	Clip, 3/8 Loom	2
63	303287	Tie, Plastic	4
64	323430	Module, Wiring Harness	1
65	♦ 413360	Harness, Wiring (Kaw 14 HP)	1
	♦ 413357	Harness, Wiring (Koh)	1
	♦ 413361	Harness, Wiring (B&S)	1
	♦ 413429	Harness, Wiring (Kaw 17 HP)	1
66	805256	Washer, Flat Std 1/4	1
67	800252	Screw, Hex Cap 1/4-20x3/4	1
68	809007	Nut, Whizlock 3/8-16	4

- ♦ Use Pro-lock nut type, Part No. 840022 (.5ml tube) on setscrew threads
 - ▽ Use Pro-lock retaining type, Part No. 840023 (.5ml tube) on inside of bore of OPC hub and on fuel tank studs.
 - Use dielectric grease on all electrical connectors.
- Exmark black touch spray paint - Gloss black

UPPER HANDLES and CONTROLS



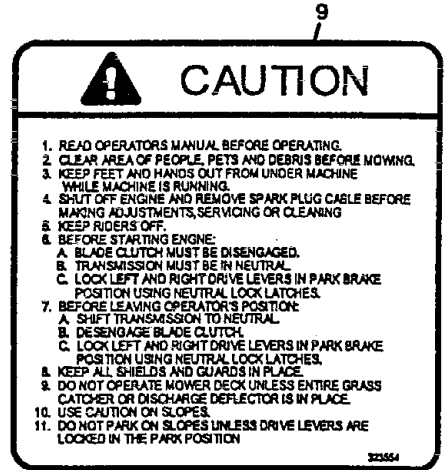
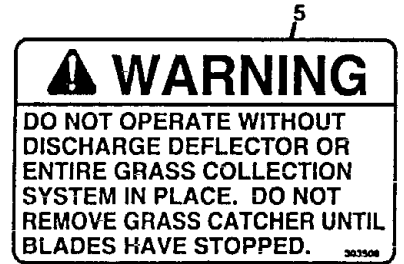
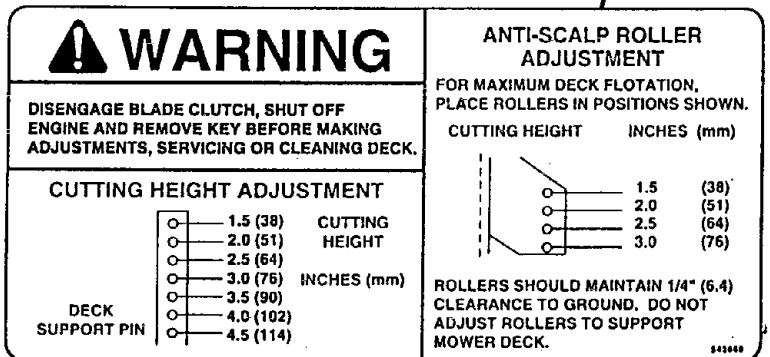
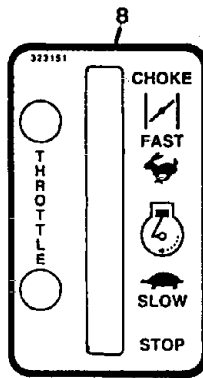
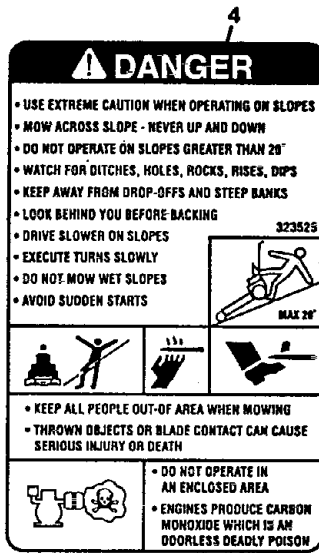
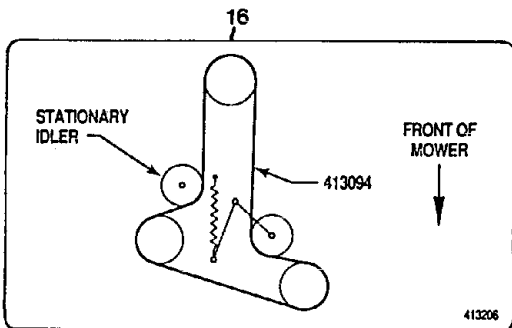
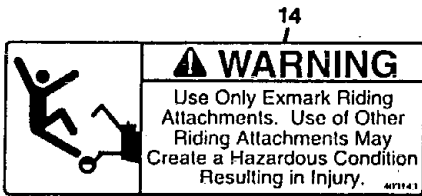
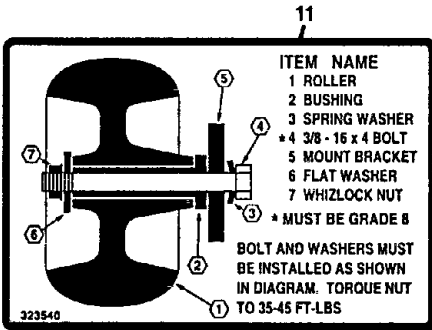
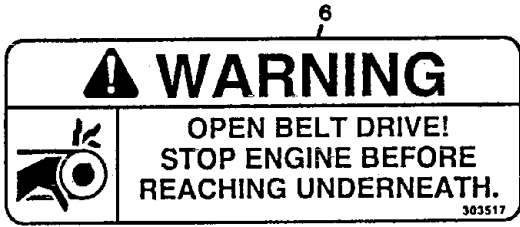
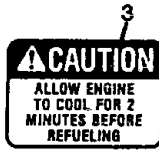
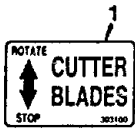
DECALS



Ref. No.	Part No.	Description	Qty. Req'd.
1	303100	Decal, Cutter Blade	1
2	323550	Decal, Neutral/P.Brake	2
3	303293	Decal, 2 Min Cool	1
4	323525	Decal, Danger	1
5	303508	Decal, Discharge Warning	1
6	303517	Decal, Belt Drive	1
7	303520	Decal, Trivantage	1
8	323151	Decal, Throttle (Kaw 14 HP & Koh)	1
9	323554	Decal, Instructional	1
10	323411	Decal, Commercial 36	1
11	323540	Decal, Roller Mounting	1
12	513746	Decal, Muffler	2
13	403005	Decal, Danger (36)	1
	403005	Decal, Danger (48" & 52")	2

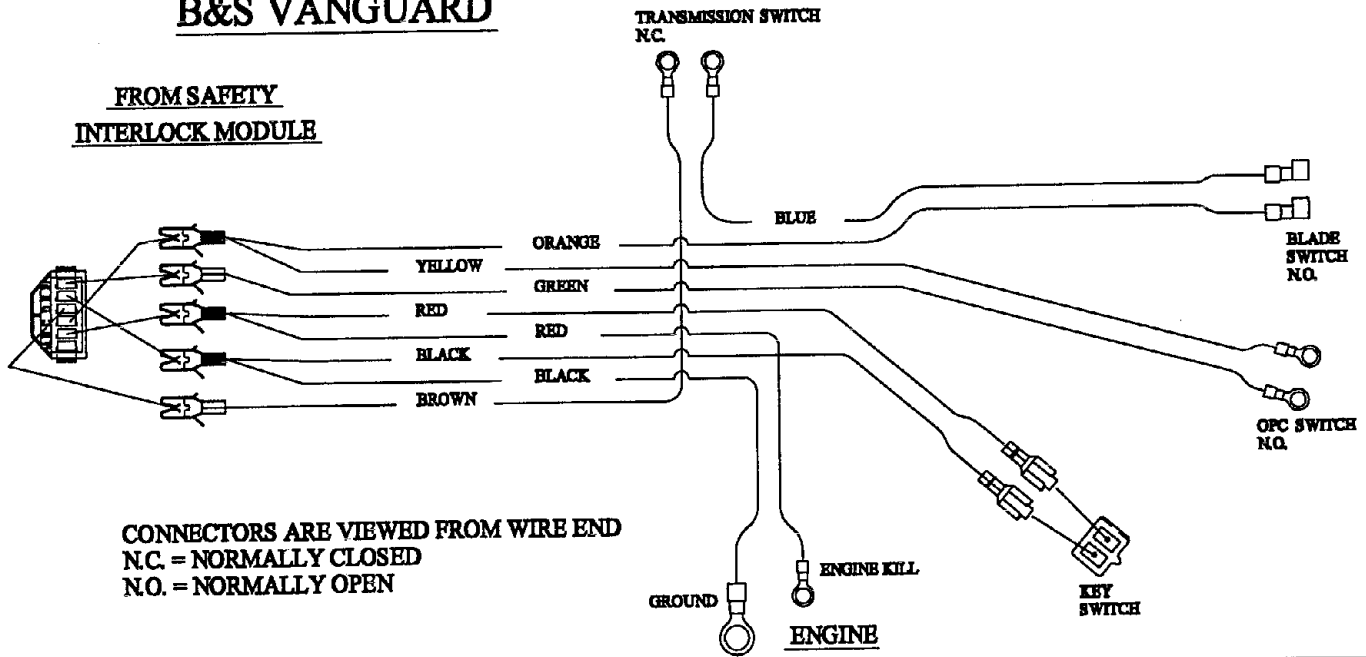
Ref. No.	Part No.	Description	Qty. Req'd.
14	403143	Decal, Sulky Warning	1
15	403132	Decal, Commercial 52	1
16	413206	Decal, Belt Routing (36")	1
17	543660	Decal, Mower deck	1
18	413421	Decal, Indicator	1
19	413371	Decal, MHP-swash	1
20	403120	Decal, Off/Run (B&S & Kaw 17 HP)	1
21	323312	Decal, Sm Metro Console	1
22	543631	Decal, Throttle (B&S)	1
23	323409	Decal, Throttle/Choke (Kaw 17 HP)	1
24	413327	Decal, Belt Routing (48" & 52")	1
25	373066	Decal, Patent Pending	1
26	403131	Decal, Commercial 48	1
27	303518	Decal, Shifter	1

DECALS

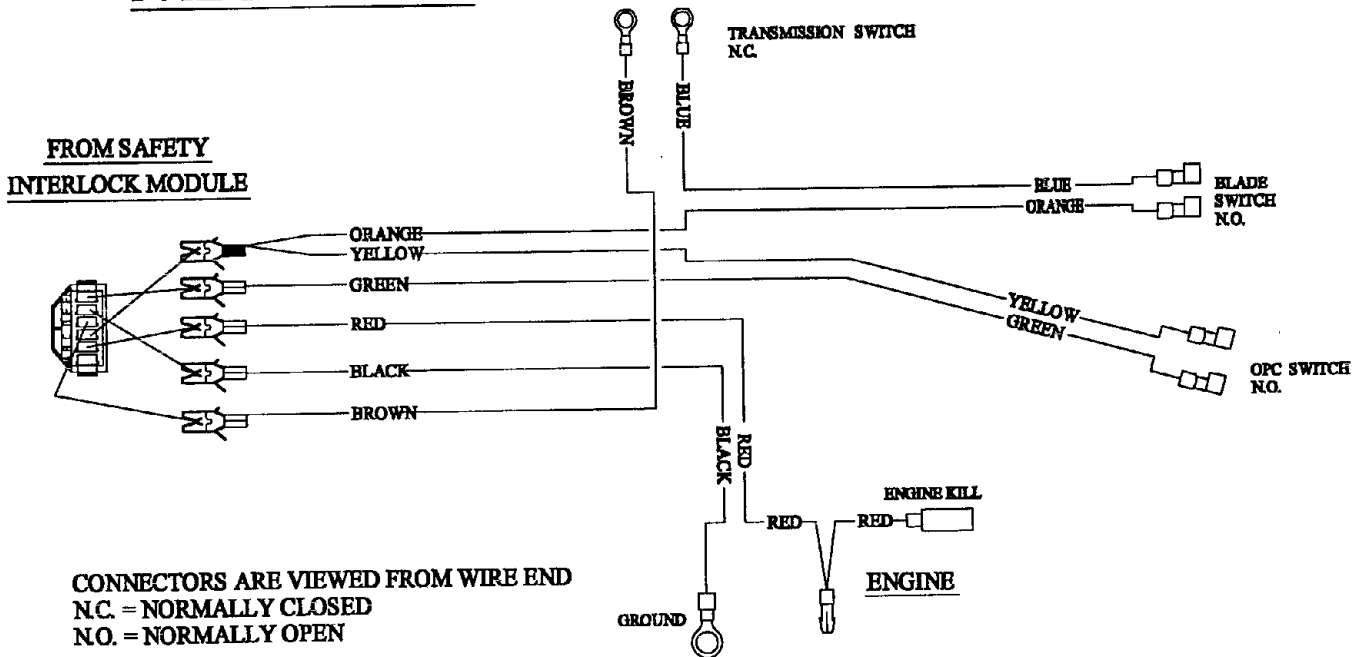


WIRING DIAGRAMS

B&S VANGUARD



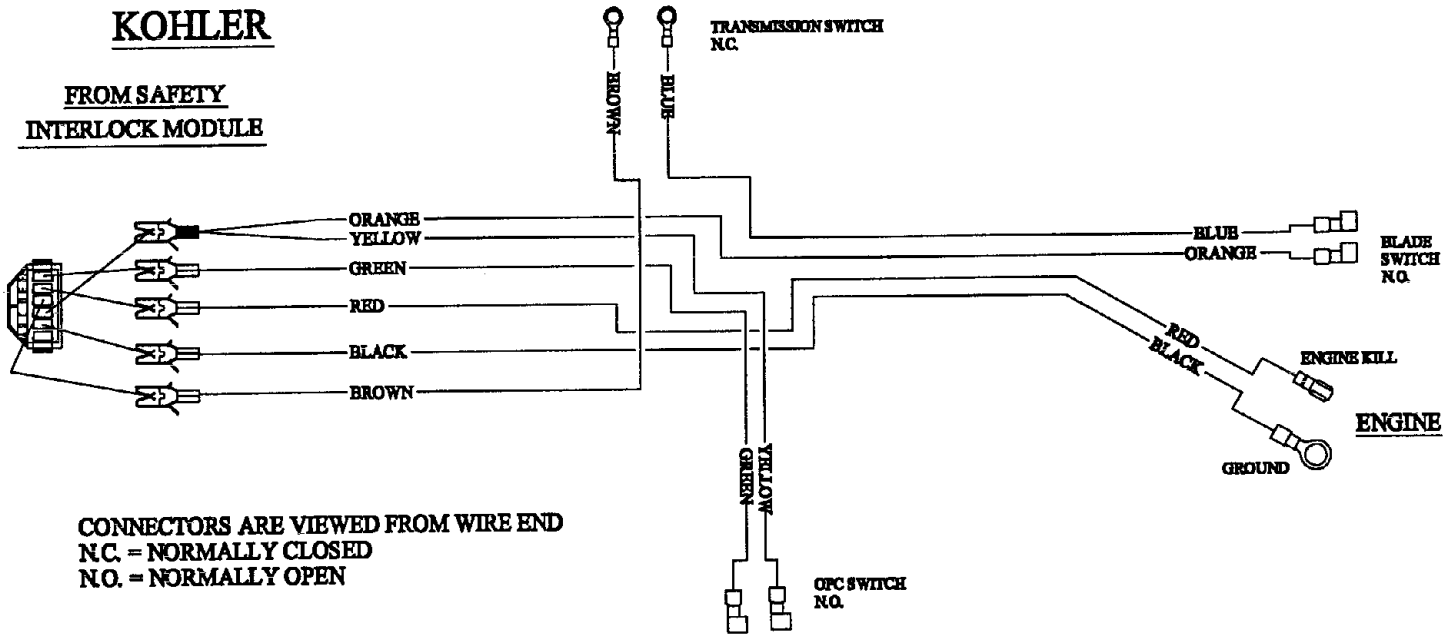
14 HP KAWASAKI



WIRING DIAGRAMS

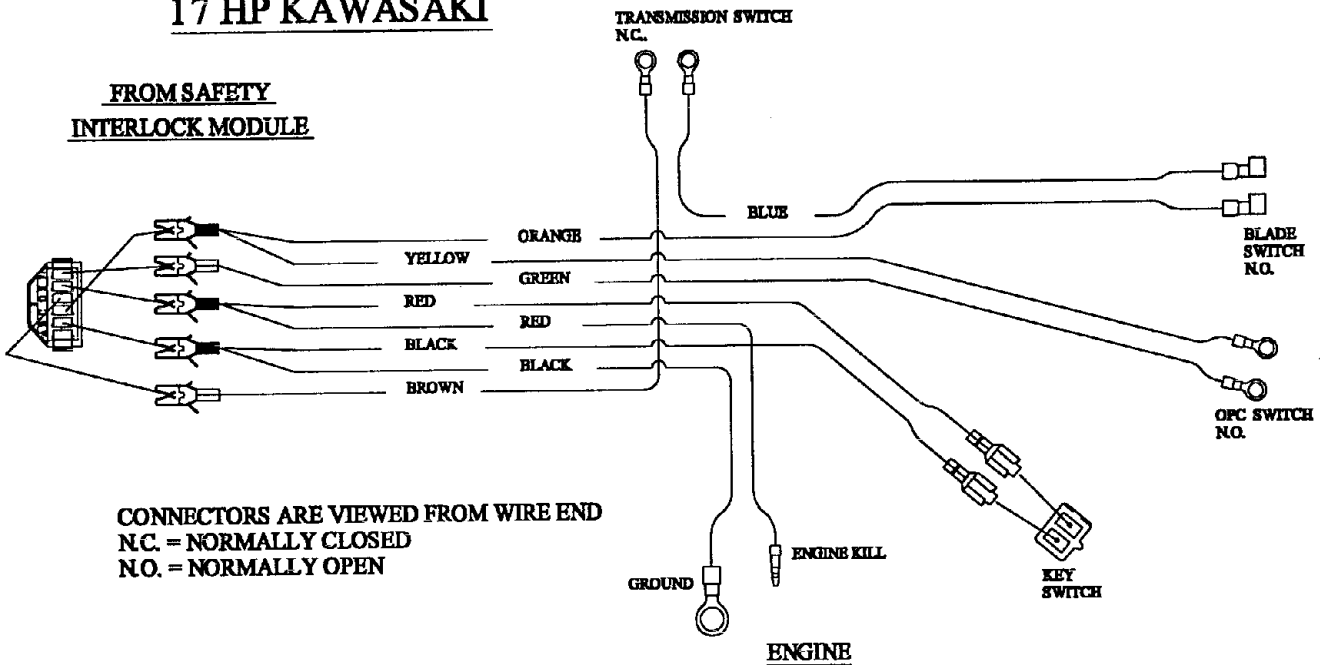
KOHLER

FROM SAFETY
INTERLOCK MODULE



17 HP KAWASAKI

FROM SAFETY
INTERLOCK MODULE



**SEE EXMARK'S COMPLETE
LINE OF PRODUCTS FOR TURF CARE**

LAZER Z

LAZER Z HP

EXPLORER

TURF RANGER

TURF TRACER

TURF TRACER HP

VIKING HYDRO

METRO

METRO HP

SELF STEERING SULKY

GRASS CATCHER

MICRO-MULCHING ACCESSORY

**EXMARK MFG. CO. INC.
INDUSTRIAL PARK BOX 808
BEATRICE, NE. 68310**

ALL RIGHTS RESERVED

**PART NO. 850472
(402) 223-6300
FAX (402) 223-4154**

PRINTED IN U.S.A.

