



FOR SERIAL NOS.
163,000 AND HIGHER

METRO 21



Parts Manual

CONGRATULATIONS on the purchase of your new Exmark mower. This product has been carefully designed and manufactured to give you a maximum amount of dependability and years of trouble-free operation.

If additional information is needed, or should you require trained mechanic service, contact your authorized Exmark equipment dealer or distributor.

If you need to order replacement parts from your dealer, always give the model number and serial number of your mower as well as the part number, description and quantity of the part needed.

The Serial No. plate is located on the top of the mower deck on the right hand rear corner.

For ease of ordering and reference, we suggest that you record the information requested in the following identification table.

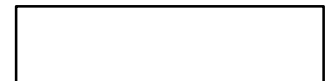
Model No. _____

Serial No. _____

Date Purchased _____

Purchased From _____

Paste Label From
Literature Packet Here



EXMARK PARTS PLUS® PROGRAM

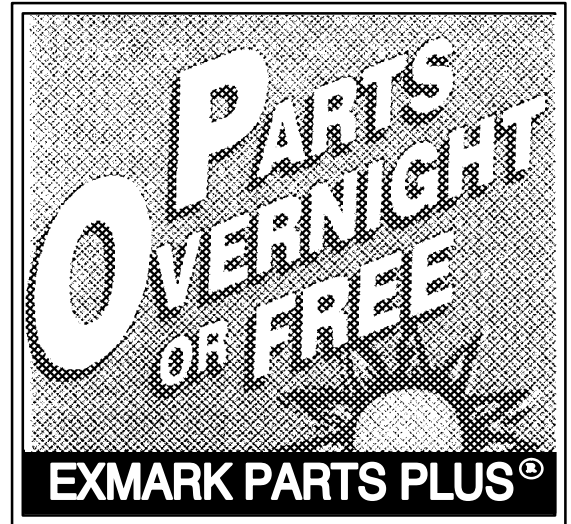
EFFECTIVE DATE: September 1, 1995

Program

If your Exmark dealer does not have the Exmark part in stock, Exmark will get the parts to the dealer the next business day or the part will be FREE* Guaranteed!!

How the Program Works

1. If dealer does not have part in stock for a "down" unit at the time of request by customer, the dealer contacts his distributor by 1:00 p.m., local time, and requests Exmark Parts Plus® shipment of six (6) line items or less.
2. Distributor ships part(s) to dealer or customer, as requested by dealer, same day, overnight UPS Distributor bills dealer for part and freight charges where applicable.
3. If distributor does not have the part(s) in stock to satisfy Exmark Parts Plus® order, he contacts Exmark by 3:00 p.m., central time, with an Exmark Parts Plus[order of six (6) line items or less.
4. If order is received by 3:00 p.m. central time, Exmark ships part(s) direct to dealer or customer, as requested by distributor, same day, overnight UPS Exmark bills the distributor for parts and shipping charges, where applicable.
5. The customer pays for the Dart and freight if it is shipped under the Exmark Parts Plus[and if it arrive in accordance to the program.
6. Who pays for the part and freight if it fails to arrive overnight in accordance to the program?
 - A. Under any circumstance the customer does not pay.
 - B. If the part does not arrive overnight due to:
 1. The dealer not submitting the Exmark Parts Plus[order to his Exmark distributor by 1:00 p.m., the dealer pays for the part and freight
 2. The Distributor being unable to ship the part the same day or not submitting the Exmark Parts Plus[order to Exmark by 3:00 p.m., central time, the Distributor pays for the part and freight.
 3. Exmark being unable to ship the part and the Exmark parts order is received by 3:00 p.m., central time, Exmark pays for the part and freight.
 4. If the part does not arrive overnight due to the shipper (UPS), the shipper pays for the freight and Exmark pays for the part.



The following restrictions apply — The Exmark Parts Plus® Program is available only through participating Exmark Dealers and applies only to orders submitted on this program Monday through Thursday. UPS has initiated a Saturday delivery program to many areas of the continental United States and can be requested for an overnight shipment on Friday to be delivered Saturday. The next day air charge, plus the Saturday delivery fee will be the responsibility of the purchaser. Exmark Mfg. will assume no responsibility for Saturday delivery shipments. To qualify, all Exmark Parts Plus® orders must be received by Exmark by 3:00 p.m., central time. Orders must be six (6) line items or less. Exclusions from the Exmark Parts Plus® Program are: Any wholegood or accessory in its entirety, engines and engine replacement parts, 5-speed Peerless transmissions and 5-speed transaxles, hydraulic or hydrostatic wheel motors, cutter decks and engine decks or any item exceeding United Parcel Service size and weight restrictions.

Due to UPS restrictions, aerosol spray paint is considered a hazardous material and cannot be shipped via UPS next day or Second Day Air.

Exmark Manufacturing stocks a limited supply of parts for transaxles, pumps and wheel motors. These parts can be ordered for Next Day Air shipment but will not be guaranteed per the Parts Plus Program.



WARNING

READ OPERATOR'S MANUAL BEFORE
OPERATING OR SERVICING EXMARK EQUIPMENT.

TABLE OF CONTENTS

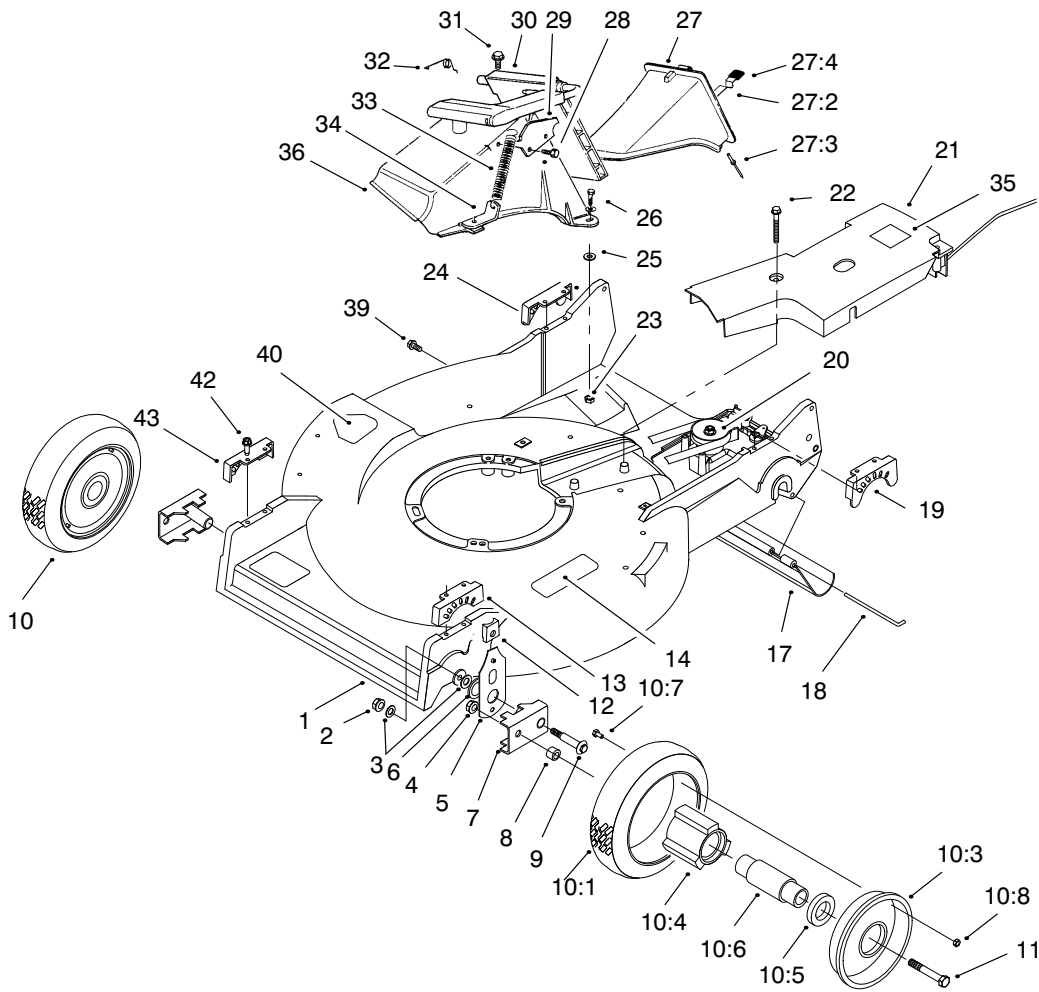
<u>Description</u>	<u>Page</u>
Housing Assembly Model M217BSP	1
Gear Case & Rear Wheel Assembly Model M217BSP	2
Rear Wheel & Tire Assembly Model M217BSP	3
Gear Case Assembly Model M217BSP	4
Housing Assembly Model M217B	5
Housing Assembly Model M217B (Cont.)	6
Engine & Blade Assembly	7
Fuel Tank Assembly	8
Handle Assembly	9
Grass Bag Assembly No. 212050	10

Service Assemblies

Parts within service assemblies have reference numbers in the form X:Y. X is the reference number of the service assembly and Y is a sequential number unique to each part within the service assembly.

For example, a wheel assembly might be identified by reference number 6, the tire by 6:1, the valve by 6:2, and the wheel by 6:3. When you order the assembly identified by reference number 6, you receive all parts identified by reference numbers 6:1, 6:2, and 6:3. However, you may also order any part individually.

Reference numbers of this type appear in part lists and as callouts in illustrations.



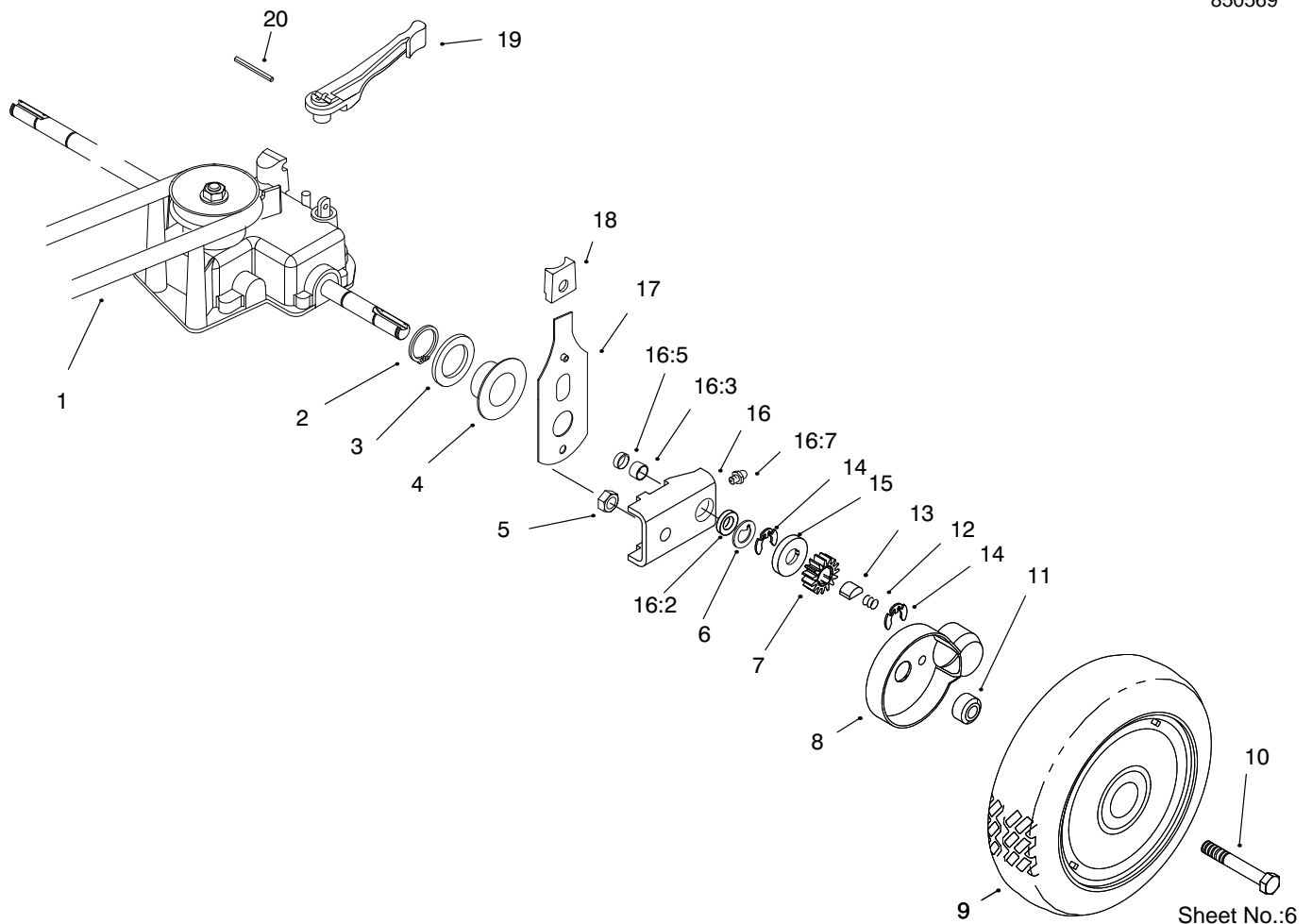
Sheet No.:2

Housing Assembly Model M217BSP

Ref. No.	Part No.	Qty.	Description
1	213248	1	Housing w/Decals
2	804264	2	Nut-Lock, 3/8-24
3	213349	4	Washer
4	809085	2	Nut-Lock HH 3/8-16
5	213338	2	ASM-Arm
6	213351	2	Washer-Thrust
7	213339	2	ASM-Arm
8	213249	2	Spacer
9	213350	2	Bolt-Wheel HH
10	212044	2	ASM-Wheel & Tire
10:1	213250	2	Tire-8.00
†10:2		2	ASM-Wheel
10:3	213251	4	Plate-Wheel Half
10:4	213252	2	Hub-Bearing Support
10:5	213274	4	Ball Bearing
10:6	213253	2	Spacer-Bearing
10:7	800250	8	Screw-HH 1/4-20 x1/2
10:8	804255	8	Nut-Lock 1/4-20
11	800298	2	Screw-HH 3/8-16 x 2-1/2
12	213254	2	Knob-Arm
13	213340	1	Quadrant-Front
14	213245	1	Decal-Warning
17	213255	1	Shield-Trailing
18	213256	1	Rod-Shield
19	213341	1	Quadrant-Rear
20	212045	1	ASM-Gearcase

Ref. No.	Part No.	Qty.	Description
21	213257	1	Cover-Belt
22	803062	2	Screw-Tapping 1/4-20 x 2
23	804255	2	Nut-Lock 1/4-20
24	213342	1	Quadrant-Rear
25	805255	2	Washer-Flat 1/4 SAE
26	800255	2	Screw 1/4-20 x1-1/4
27	212046	1	ASM-Plug
27:2	213258	1	Latch Discharge Plug
27:3	803010	1	Rivet
27:4	213259	1	Grip Latch
28	803063	2	Screw 1/4-10 x .60
29	213260	1	Plate-Latch
30	213347	1	ASM-Door
31	213353	1	Screw HWH 1/4-20 x 3/4
32	213261	1	Retainer-Door
33	213262	1	Spring-Extension
34	213263	1	Spring-Bracket
35	213241	1	Label-Grease
36	213348	1	Chute-Discharge
39	213352	1	Screw HWH 1/4-20 x 1/2
40	213239	1	Decal-Danger
42	809086	8	Screw-HH 1/4-20 x 3/4
43	213343	1	Quadrant-Front

† Included in a service kit or in an assembly



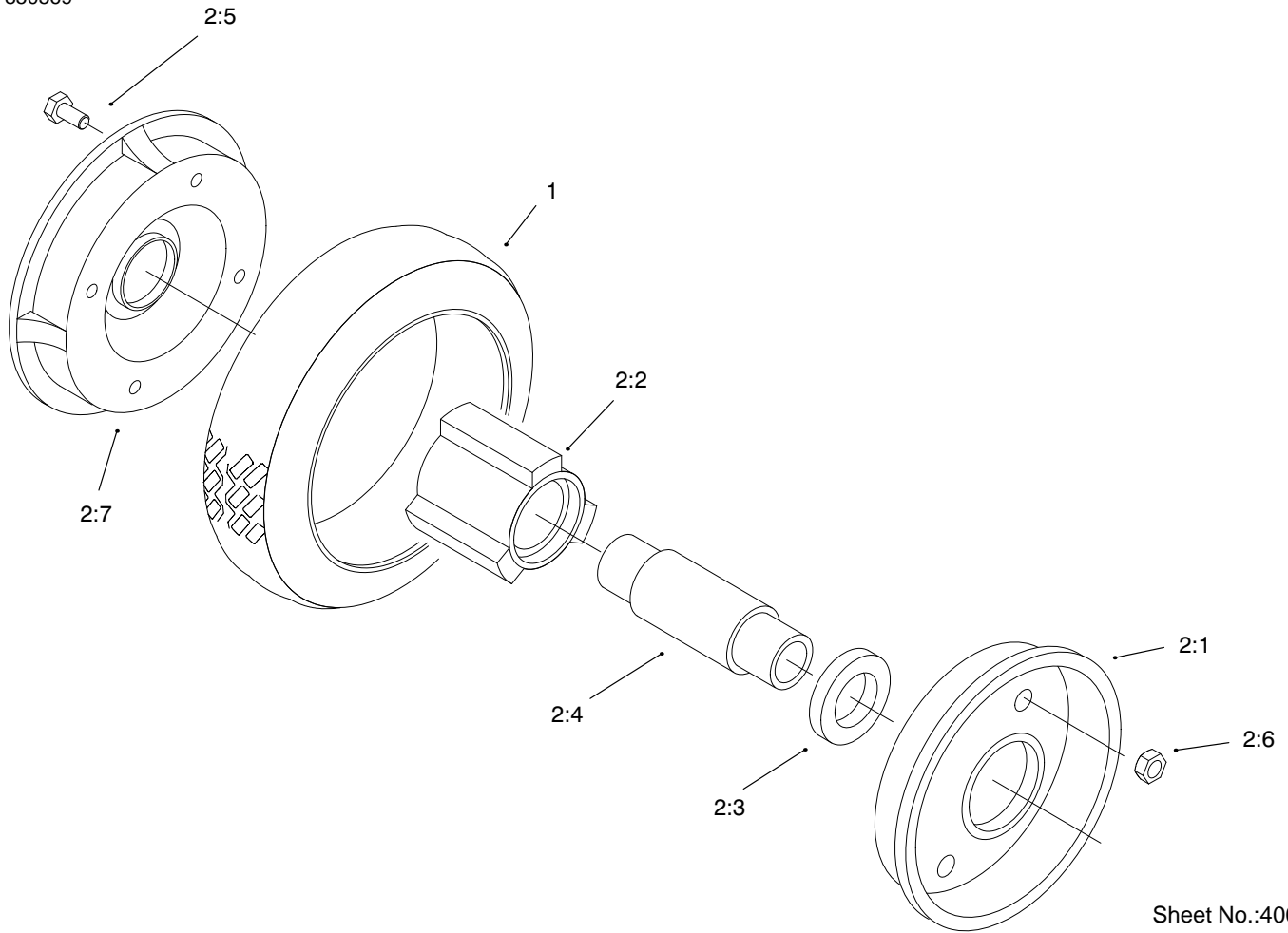
Sheet No.:6

Gear Case & Rear Wheel Assembly Model M217BSP

Ref. No.	Part No.	Qty.	Description
1	213237	1	"v" Belt
2	808508	2	Ring-Retaining Ext
3	213358	2	Washer-Thrust
4	213267	2	Cap-End
5	809085	2	Nut-Lock HH 3/8-16
6	213361	2	Washer-Thrust
7	213269	2	Pinion
8	213270	2	Cover-Wheel
9	212047	2	ASM-Wheel & Tire
10	800299	2	Screw-HH 3/8-16 x 2-3/4
11	213271	2	Spacer-Cover
12	213272	2	Spring
13	213359	2	Key-Pinion
14	808524	4	Ring-Klip .50 Hvy Dty
15	213360	2	Washer-Thrust
16	212048	2	ASM-Arm
16:2	213274	2	Ball Bearing
16:3	213275	2	Bearing-Needle
16:5	213273	2	Seal-Oil
16:7	213362	2	Fitting-Grease
17	213344	2	ASM-Arm
18	213254	2	Knob-Arm
19	213276	1	Lever-Shift
20	213363	1	Pin-Roll

Ref. No.	Part No.	Qty.	Description

850569



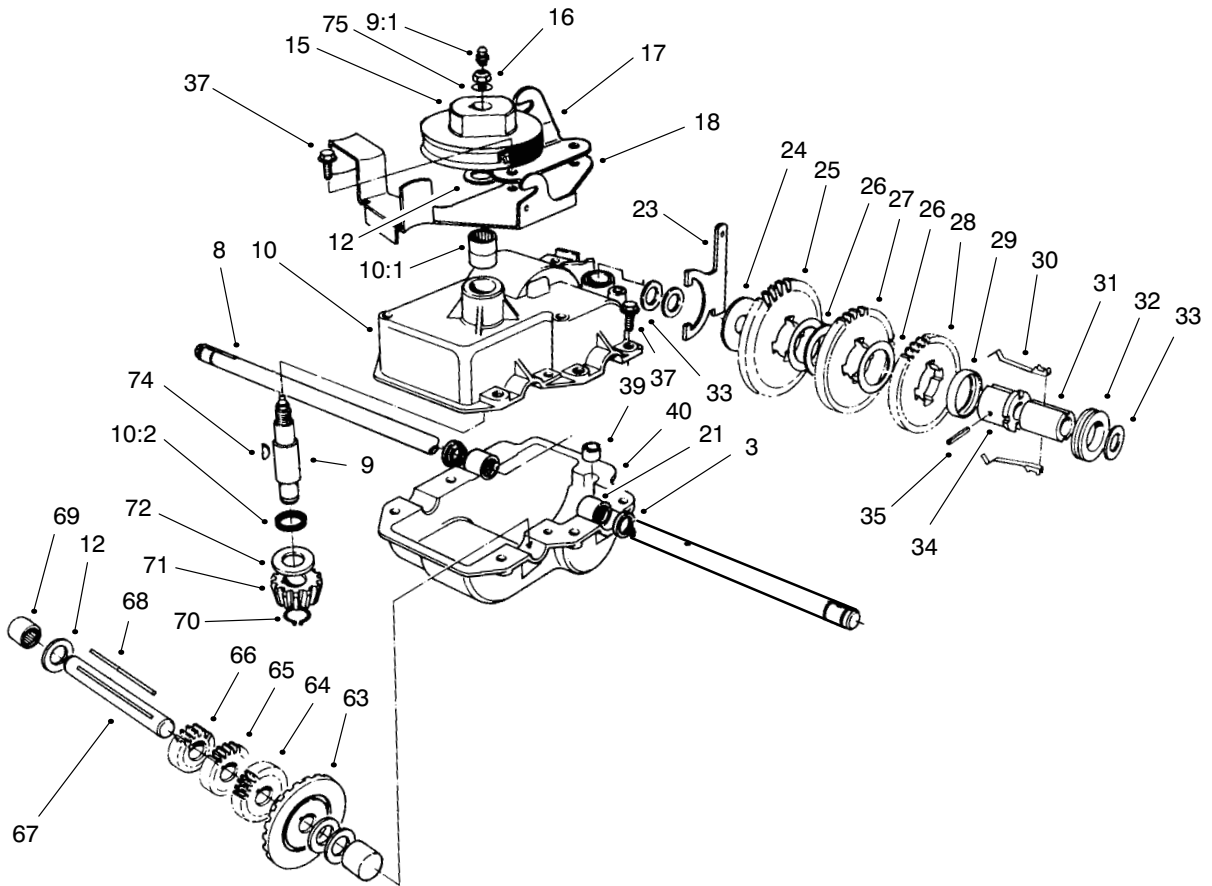
Sheet No.:400

Rear Wheel & Tire Assembly Model M217BSP

Ref. No.	Part No.	Qty.	Description
1	213250	2	Tire-8.00
†2		2	ASM-Wheel & Tire
2:1	213251	2	Plate-Wheel Half
2:2	213252	2	Hub-Bearing Support
2:3	213274	4	Bearing-Wheel
2:4	213253	2	Spacer-Bearing
2:5	800250	8	Screw-HH 1/4-20 x 1/2
2:6	804255	8	Nut-Lock 1/4-20
2:7	213345	2	ASM-Wheel Half & Gear

Ref. No.	Part No.	Qty.	Description

† Included in a service kit or in an assembly

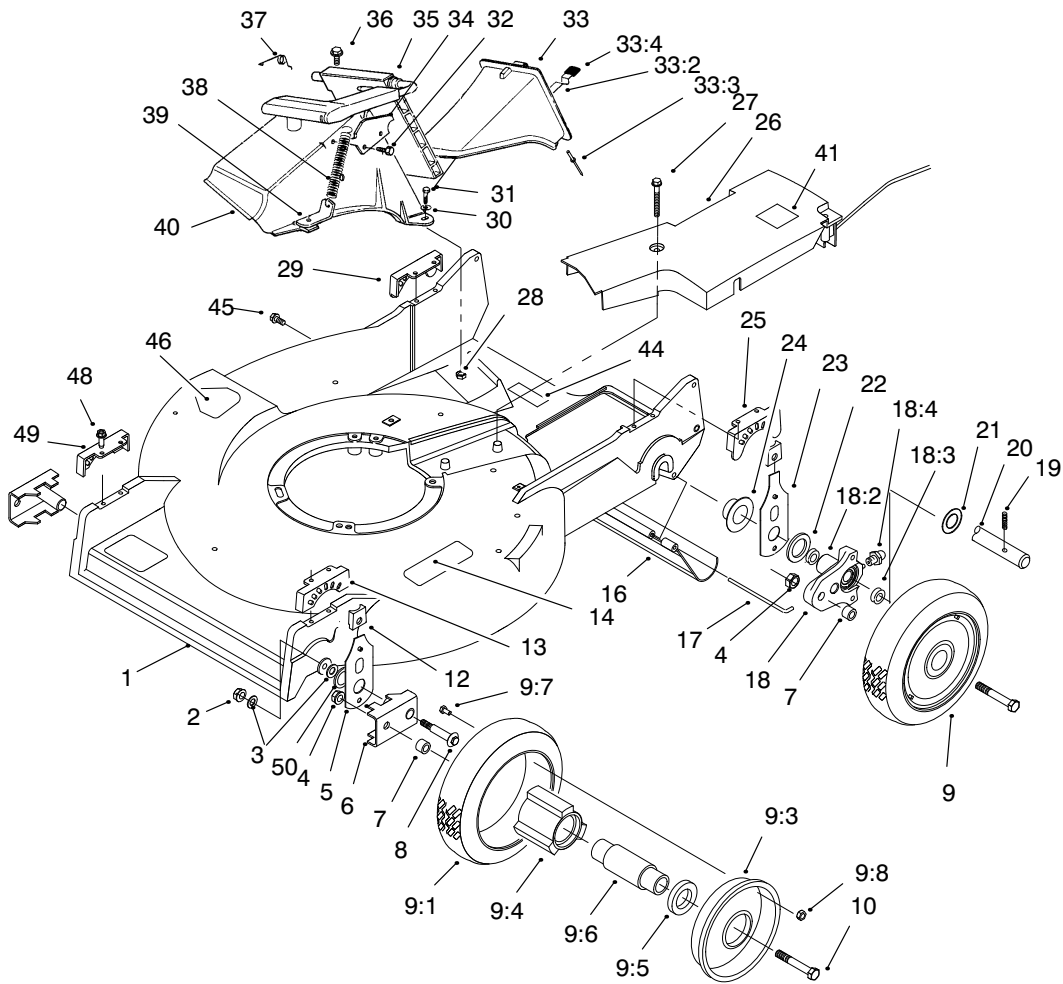


Sheet No.:100

Gear Case Assembly Model M217BSP

Ref. No.	Part No.	Qty.	Description	Ref. No.	Part No.	Qty.	Description
3	213275	2	Bearing–Needle	35	213364	1	Pin–Groove
8	213277	1	Shaft–Output	37	809086	6	Screw–Self Tapping 1/4–20 x 3/4
9	213278	1	Shaft–Input	39	213295	1	Bushing–Yoke
9:1	811000	1	Fitting–Grease	40	213296	1	Case–Lower
10	212049	1	Upper Case Assembly	63	213297	1	Gear–Bevel
10:1	213279	2	Bearing–Needle	64	213298	1	Gear–18t
10:2	213280	1	Seal	65	213299	1	Gear–14t
12	213366	4	Washer–Thrust	66	213300	1	Gear–12t
15	213281	1	Pulley	67	213301	1	Shaft–Intermediate
16	804268	1	Nut–Lock 3/8–24	68	213369	1	Key–Square
17	213282	1	Bracket–Traction Engage	69	213302	2	Bearing–Closed
18	213283	1	Bracket–Guide Belt	70	808526	1	Ring–Retaining
21	213273	2	Seal	71	213303	1	Pinion–bevel
23	213284	1	Yoke–Shift	72	213304	1	Washer–Thrust
24	213285	1	Washer–Flat	74	807002	2	Key–Woodruff
25	213286	1	Gear–52t	75	805514	1	Washer–Flat
26	213287	3	Spacer–Gear	*	212045	1	Gear Case Assembly Complete
27	213288	1	Gear–42t				
28	213289	1	Gear–38t				
29	213290	1	Retainer–Key				
30	213291	2	Key–Shift				
31	213292	1	Sleeve				
32	213293	1	Collar–Shift				
33	213367	3	Washer–Flat				
34	213294	1	Sleeve–Gear				

* Not illustrated



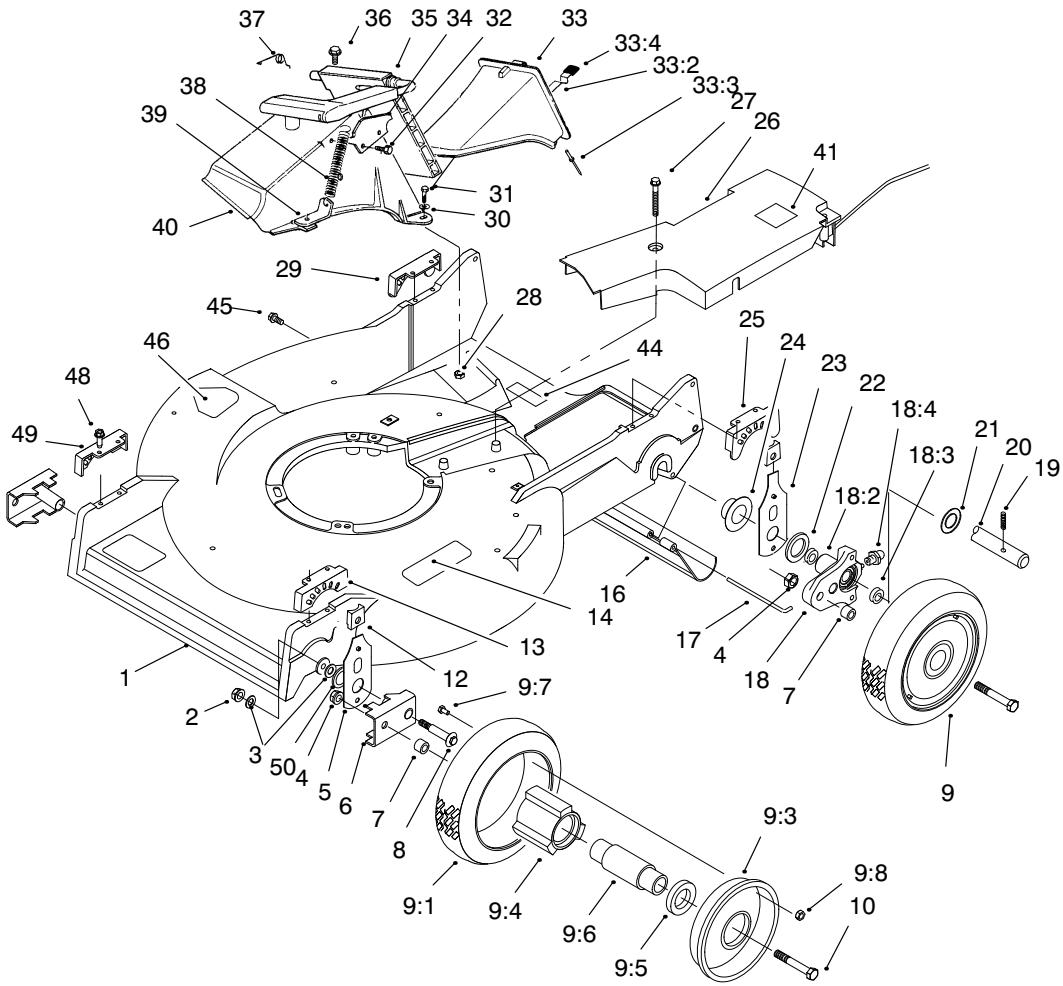
Sheet No.:2

Housing Assembly Model M217B

Ref. No.	Part No.	Qty.	Description
1	213248	1	Housing—Exmark
2	804264	2	Nut—Lock 3/8—24
3	213349	4	Washer
4	809085	4	Nut—Lock HH 3/8—16
5	213338	2	ASM—Arm
6	213339	2	ASM—Arm
7	213249	4	Spacer
8	213350	2	Bolt—Wheel HH
9	212044	4	ASM—Wheel & Tire
9:1	213250	4	Tire—8.00
†9:2		4	ASM—Wheel
9:3	213251	8	Plate—Wheel Half
9:4	213252	4	Hub—Bearing Support
9:5	213274	8	Ball Bearing
9:6	213253	4	Spacer—Bearing
9:7	800250	16	Screw—HH 1/4—20 x 1/2
9:8	804255	16	Nut—Lock 1/4—20
10	800298	4	Screw 3/8—16 x 2—1/2
12	213254	4	Knob—Arm
13	213340	1	Quadrant—Front
14	213245	1	Decal—Warning
16	213255	1	Shield—Trailing
17	213256	1	Rod—Shield
18	213346	2	ASM—Pivot Arm

Ref. No.	Part No.	Qty.	Description
18:2	213264	1	Bushing
18:3	213265	1	Bushing
18:4	811011	1	Fitting—Grease
19	213370	2	Pin—Spring
20	213266	1	Shaft—Rear Axle
21	213367	2	Washer—Thrust
22	213358	2	Washer—Thrust
23	213344	2	ASM—Arm
24	213267	2	Cap—End
25	213341	1	Quadrant—Rear
26	213268	1	Cover—Belt
27	803062	2	Screw—Tapping 1/4—20 x 2
28	804255	2	Nut—Lock 1/4—20
29	213342	1	Quadrant—Rear
30	805255	2	Washer—Flat 1/4 SAE
31	800255	2	Screw—Cap 1/4—20 x 1—1/4
32	803063	2	Screw—Tapping 1/4—10 x .60
33	212046	1	ASM—Plug
33:2	213258	1	Latch Discharge Plug
33:3	803010	1	Rivet
33:4	213259	1	Grip Latch
34	213260	1	Plate—Latch

† Included in a service kit or in an assembly

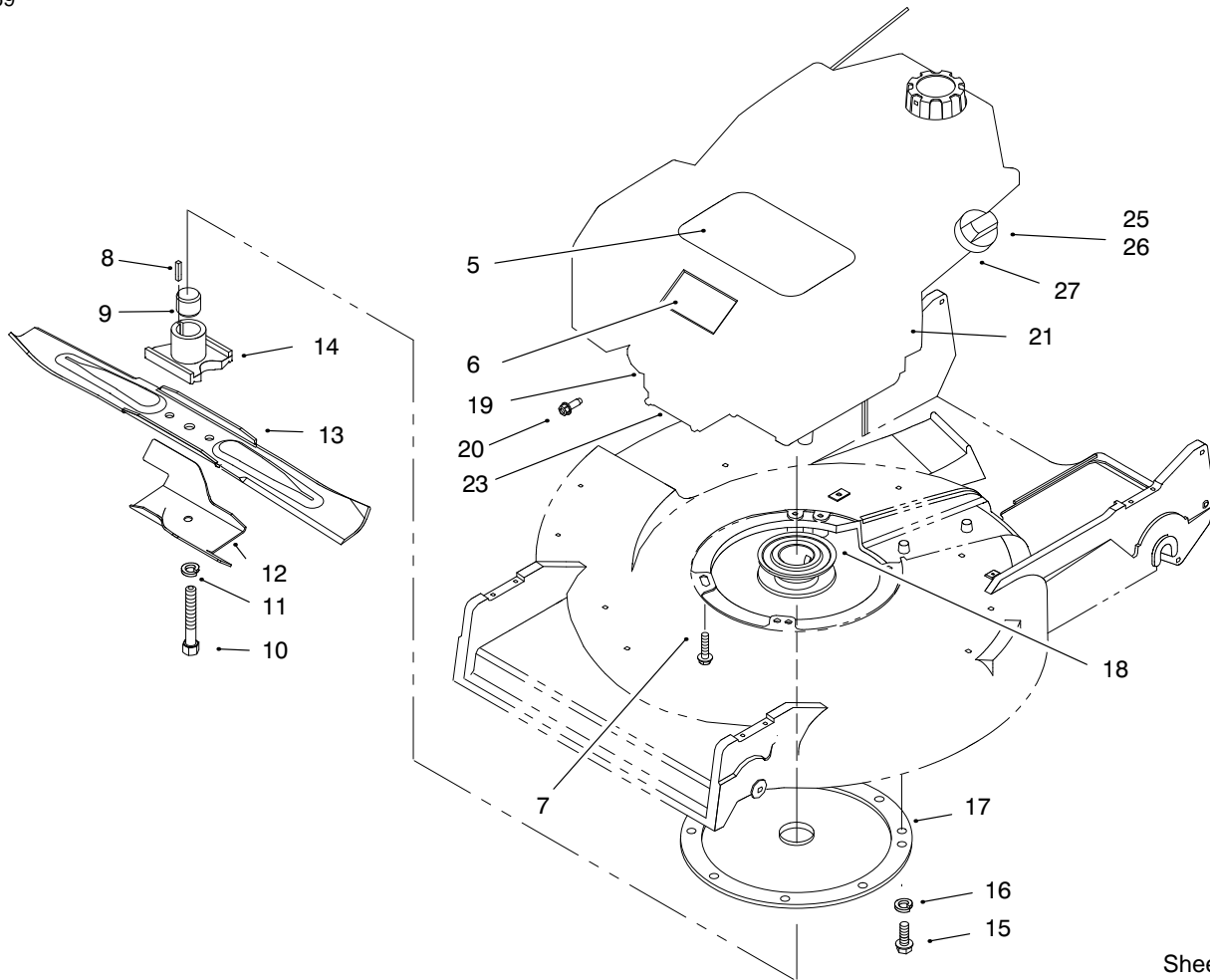


Sheet No.:2

Housing Assembly Model M217B (Cont.)

Ref. No.	Part No.	Qty.	Description
35	213347	1	ASM-Door
36	213353	1	Screw-HWH 1/4-20 x 3/4
37	213261	1	Retainer-Door
38	213262	1	Spring-Extension
39	213263	1	Spring-Bracket
40	213348	1	Chute-Discharge
41	213243	1	Grease-Label-Hp
44	213240	1	Decal-Warning
45	213352	1	Screw HWH 1/4-20 x 1/2
46	213239	1	Decal-Danger
48	809086	8	Screw-HH 1/4-20 x 3/4
49	213343	1	Quadrant-Front
50	213351	2	Washer-Thrust

Ref. No.	Part No.	Qty.	Description



Sheet No.:3

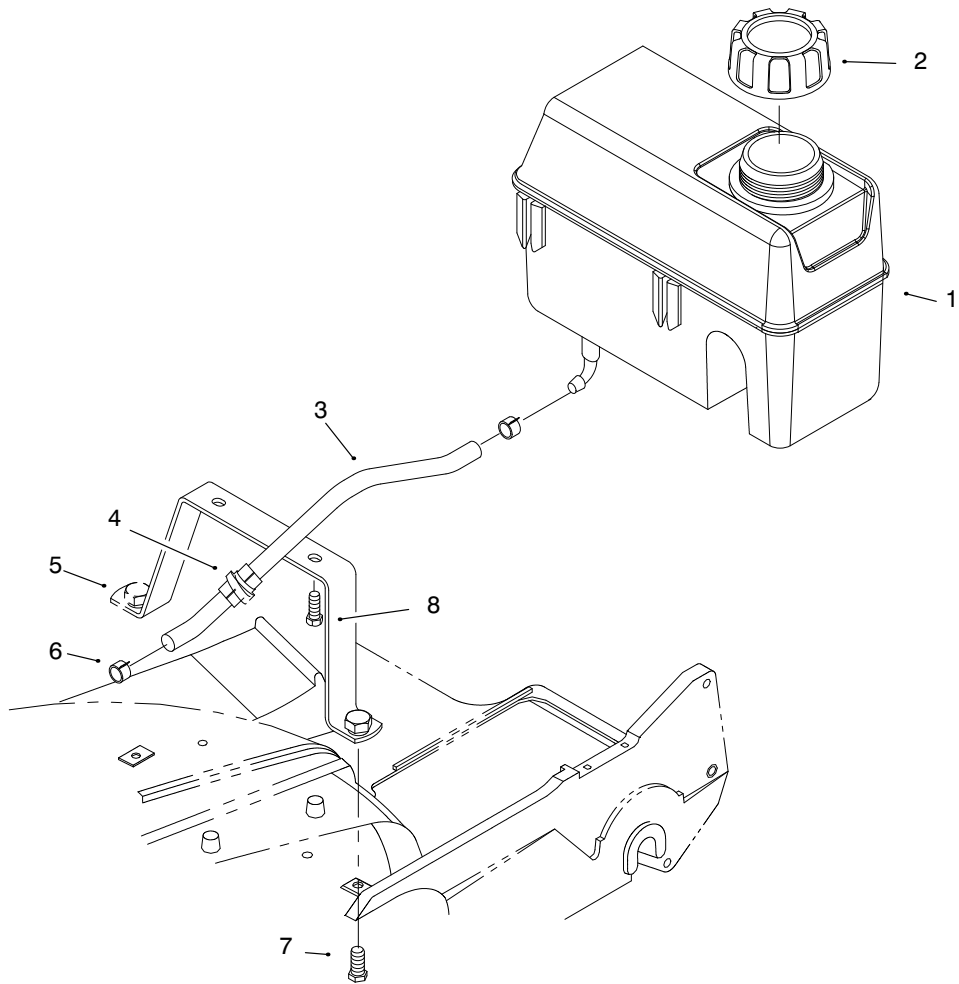
Engine & Blade Assembly

Ref. No.	Part No.	Qty.	Description
†*		1	Engine Briggs & Stratton Model No. 123672-0140-E1
5	213246	1	Decal-Exmark
6	213247	1	Decal-6.5 HP
7	809088	3	Screw 3/8-16 x 1-1/2
8	807276	1	Key-Square
9	213305	1	Spacer-Retainer
10	213372	1	Bolt-Blade
11	805007	1	Washer-Lock 7/16
12	213379	1	Stiffener-Blade
13	213238	1	Blade
14	213306	1	Retainer
15	809087	3	Screw-Tapping 5/16-18 x 3/4
16	805515	3	Washer-Lock Int 3/8
17	213307	1	ASM-Protector
18	213308	1	Pulley-Driver M217BSP (Only)
19	213373	1	Shroud
20	213374	4	Screw-Shroud
21	213375	1	Guard-Muffler
23	213377	1	Cover-Rocker
25	213380	1	Dipstick Tube
26	213381	1	Dipstick

Ref. No.	Part No.	Qty.	Description
27	213382	1	O-Ring
†	692513	1	Engine Oil Filter
†	273356	1	Air Filter Precleaner
†	692446	1	Air Filter

* Not Illustrated

† Obtain from Briggs & Stratton

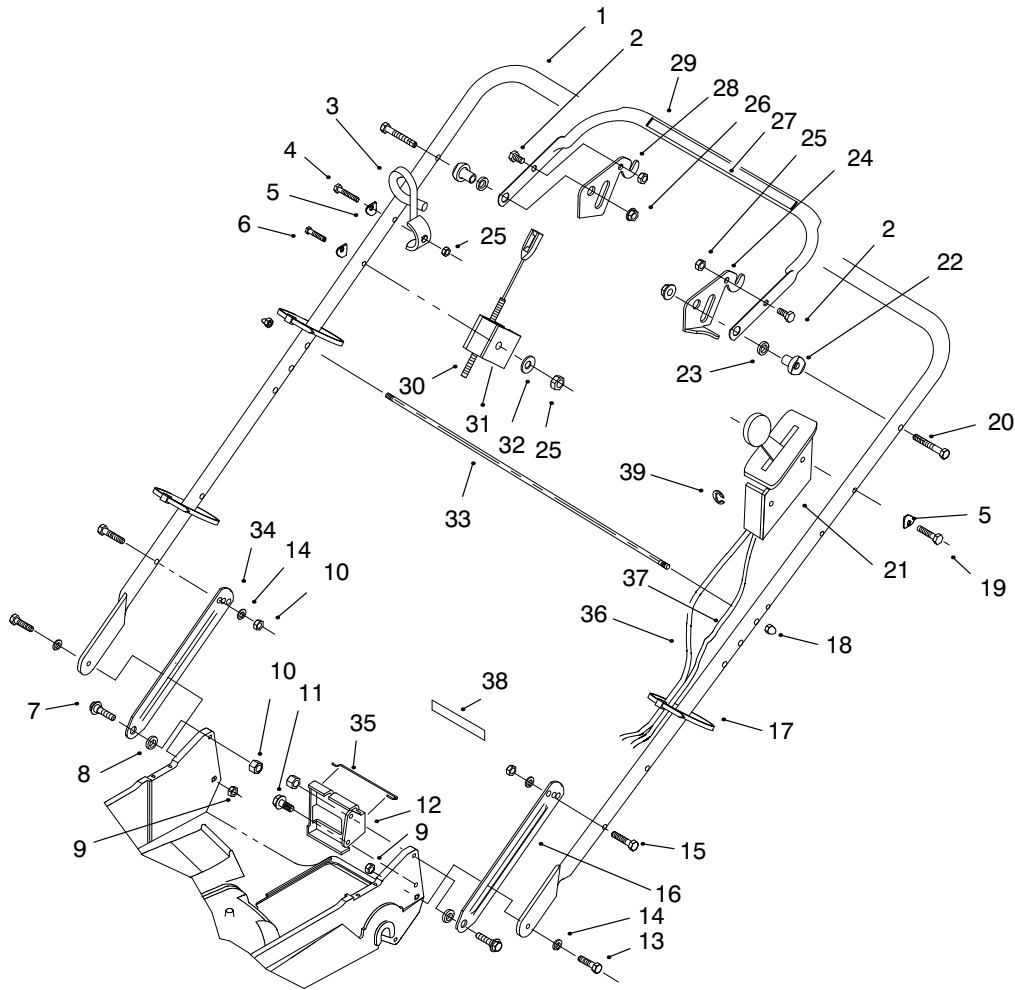


Sheet No.:4

Fuel Tank Assembly

Ref. No.	Part No.	Qty.	Description
1	213309	1	Tank-Gas
2	213310	1	Cap-Fuel
3	603955	2	Fuel Line 6"
4	213312	1	Filter-Fuel
5	213313	1	Base
6	303077	4	Clamp
7	800292	2	Screw-HH 3/8-16 x 1
8	803064	2	Screw-Tapping 1/4-10 x .82

Ref. No.	Part No.	Qty.	Description

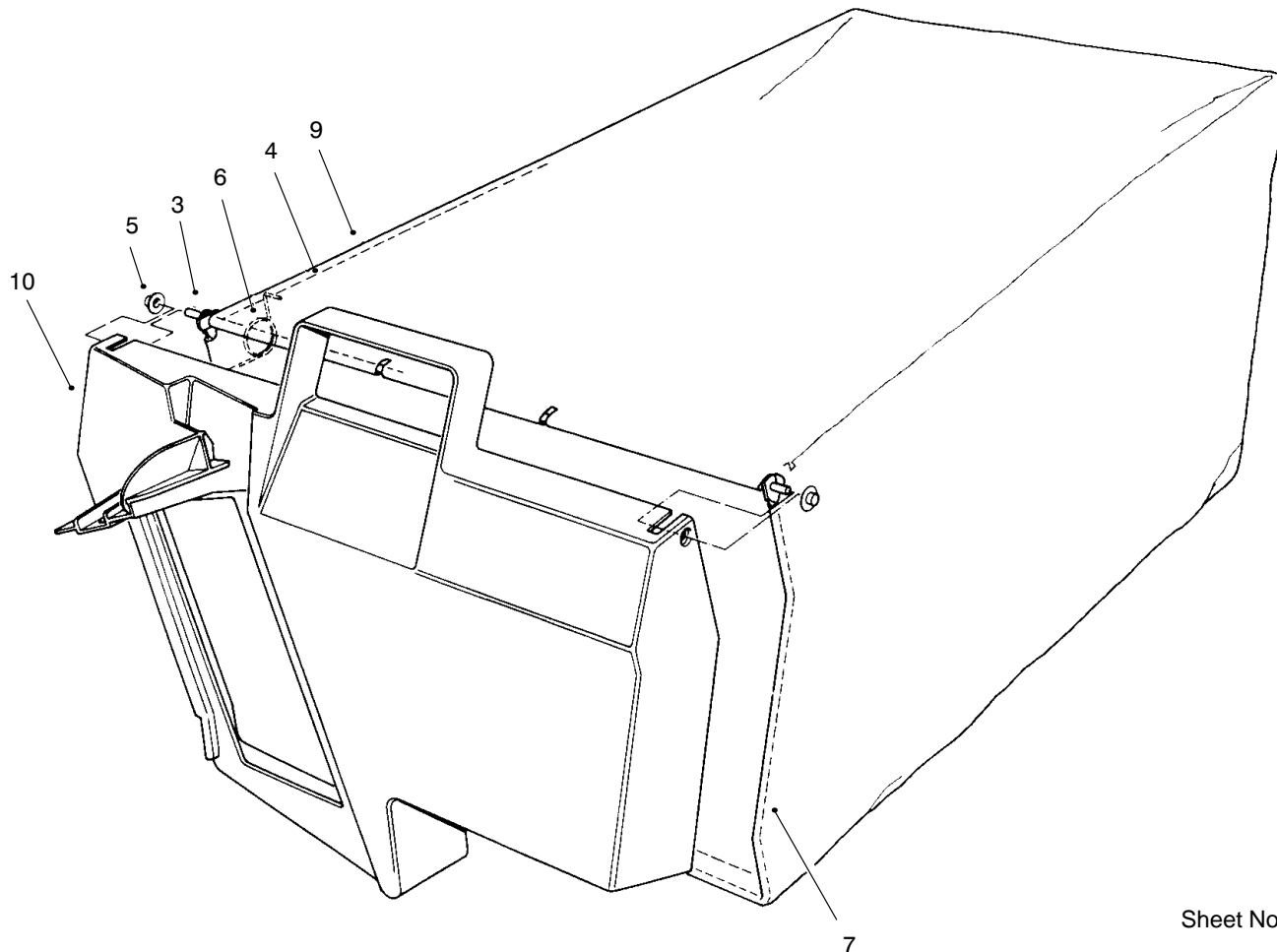


Sheet No.:5

Handle Assembly

Ref. No.	Part No.	Qty.	Description
1	213314	1	Handle
2	800252	2	Screw-HH 1/4-20 x 3/4
3	213315	1	Guide-Rope
4	800256	1	Screw-HH 1/4-20 x 1-1/2
5	213356	4	Washer-Curved
6	800260	1	Screw-HH 1/4-20 x 2-1/2
7	213357	2	Screw-Shoulder
8	213316	2	Spacer
9	804267	2	Nut-Lock 5/16-18 Thin
10	804256	4	Nut-Lock 5/16-18
11	809087	1	Screw-Tapping 5/16-18 x 3/4
12	213317	1	Bracket-Adjust
13	800274	2	Screw-HH 5/16-18 x 1-1/4
14	213368	4	Washer-Lock
15	800275	2	Screw-HH 5/16-18 x 1-1/2
16	213318	1	Latch-Handle
17	303335	3	Tie-Cable
18	213371	2	Nut-Cap 1/4-20
19	800262	2	Screw-HH

Ref. No.	Part No.	Qty.	Description
20	800278	2	Screw-HH 1/4-20 x 1-3/8
21	213319	1	Bracket-Throttle Control
22	213320	2	Spacer-Support
23	213321	2	Spacer-Nylon
24	213322	1	Lever-Control
25	804255	4	Nut-Lock 1/4-20
26	213355	2	Nut-Flange 5/16
27	213242	1	Decal-Control
28	213323	1	Lever-Control
29	213324	1	Bar-Control
30	213325	1	Cable-Brake
31	213326	1	Support-Cable
32	805255	1	Washer-Flat 1/4 SAE
33	213327	1	Rod-Support
34	213328	1	Latch-Handle
35	213329	1	Retainer-Cable
36	213330	1	Cable-Traction
37	213331	1	Cable-Throttle
38	213244	1	Decal-Drive
39	808525	2	Ring-E 1/4



Sheet No.:300

Grass Bag Assembly No. 212050

Ref. No.	Part No.	Qty.	Description
3	213332	1	Hinge-Door
4	213333	1	Frame-Bag
5	803001	2	Nut-Push 3/16
6	213334	2	Spring
7	213335	1	Frame-Bag
9	213336	1	Bag-Grass
10	213337	1	Door-Bag

Ref. No.	Part No.	Qty.	Description

NOTES

**SEE EXMARK'S COMPLETE
LINE OF PRODUCTS FOR TURF CARE**

LAZER Z

LAZER Z HP

EXPLORER

TURF RANGER

TURF TRACER HP

VIKING HYDRO

METRO

METRO HP

SELF STEERING SULKY

GRASS CATCHER

MICRO MULCHING ACCESSORY

**EXMARK MFG. CO. INC
INDUSTRIAL PARK BOX 808
BEATRICE NE. 68310**

**PART NO. 850569
(402) 223-6300
FAX (402)223-6384**

ALL RIGHTS RESERVED

PRINTED IN U. S. A.

