

For Serial Nos.
600,000 & Higher



G0549

PARTS MANUAL

FRONTRUNNER

AIR-COOLED MODELS

CONGRATULATIONS on the purchase of your new Exmark mower. This product has been carefully designed and manufactured to give you a maximum amount of dependability and years of trouble-free operation. If additional information is needed, or should you require trained mechanic service, contact your authorized Exmark equipment dealer or distributor. If you need to order replacement parts from your dealer, always give the model number and serial number of your mower as well as the part number, description and quantity of the part needed.

The Serial No. Plate on the right side of the unit under the fuel tank. For ease of ordering and reference, we suggest that you record the information requested in the following identification table.

Place Model No. and Serial No. Label Here
(Included in Literature Pack)
or Fill in Below

Model No. _____

Serial No. _____

Engine Model No. and Spec. No. (Code) _____

Engine Serial No. (E/No) _____

Date Purchased _____

EXMARK PARTS PLUS® PROGRAM

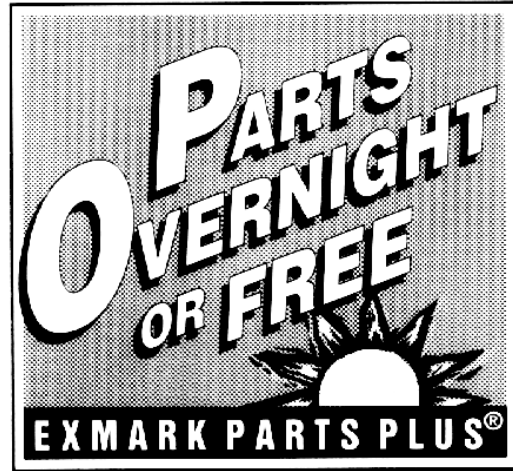
EFFECTIVE DATE: September 1, 1995

Program

If your Exmark dealer does not have the Exmark part in stock, Exmark will get the parts to the dealer the next business day or the part will be FREE* Guaranteed!!

How the Program Works

1. If dealer does not have part in stock for a "down" unit at the time of request by customer, the dealer contacts his distributor by 1:00 p.m., local time, and requests Exmark Parts Plus® shipment of six (6) line items or less.
2. Distributor ships part(s) to dealer or customer, as requested by dealer, same day, overnight UPS. Distributor bills dealer for part and freight charges where applicable.
3. If distributor does not have the part(s) in stock to satisfy Exmark Parts Plus® order, he contacts Exmark by 3:00p.m., central time, with an Exmark Parts Plus® order of six (6) line items or less.
4. If order is received by 3:00 p.m. central time, Exmark ships part(s) direct to dealer or customer, as requested by distributor, same day, overnight UPS, Exmark bills the distributor for parts and shipping charges, where applicable.
5. The customer pays for the part and freight if it is shipped under the Exmark Parts Plus® and if it arrives in accordance to the program.
6. Who pays for the part and freight if it fails to arrive overnight in accordance to the program?
 - A. Under any circumstance the customer does not pay.
 - B. If the part does not arrive overnight due to:
 1. The dealer not submitting the Exmark Parts Plus® order to his Exmark distributor by 1:00 p.m., the dealer pays for the part and freight.
 2. The Distributor being unable to ship the part the same day or not submitting the Exmark Parts Plus® order to Exmark by 3:00 p.m., central time, the Distributor pays for the part and freight.
 3. Exmark being unable to ship the part and the Exmark parts order is received by 3:00 p.m., central time, Exmark pays for the part and freight.
 4. If the part does not arrive overnight due to the shipper (UPS), the shipper pays for the freight and Exmark pays for the part.



The following restrictions apply -- The Exmark Parts Plus® Program is available only through participating Exmark Dealers and applies only to orders submitted on this program Monday through Thursday. Parts Plus service is available only in the 48 contiguous United States. UPS has initiated a Saturday delivery program to many areas of the continental United States and can be requested for an overnight shipment on Friday to be delivered Saturday. The next day air charge, plus the Saturday delivery fee will be the responsibility of the purchaser. Exmark Mfg. will assume no responsibility for Saturday delivery shipments. To qualify, all Exmark Parts Plus® orders must be received by Exmark by 3:00 p.m., central time. Orders must be six (6) line items or less. Exclusions from the Exmark Parts Plus® Program are: Any wholegood or accessory in its entirety, engines and engine replacement parts, 5-speed Peerless transmissions and 5-speed transaxles, hydraulic or hydrostatic wheel motors, cutter decks and engine decks or any item exceeding United Parcel Service size and weight restrictions.

Due to UPS restrictions, aerosol spray paint is considered a hazardous material and cannot be shipped via UPS next day or Second Day Air.

Exmark Manufacturing stocks a limited supply of parts for transaxles, pumps and wheel motors. These parts can be ordered for Next Day Air shipment but will not be guaranteed per the Parts Plus Program

**READ OPERATOR'S MANUAL BEFORE
OPERATING OR SERVICING EXMARK EQUIPMENT.**

TABLE OF CONTENTS

<u>Description</u>	<u>Page</u>
Auxiliary Hydraulic Group	14
Electrical Diagram	18
Electrical Logic Schematic.....	19
Electrical Group.....	17
Engine Group	13
Fuel Group.....	12
Hydraulic Group.....	15-16
Main frame Group.....	3-6
Motion Control Group	11
Park Brake Group.....	10
PTO Drive Group	9
Rear Frame Group 20HP & 23HP	7
Rear Frame Group 27HP.....	8

MAIN FRAME GROUP

Item	Part No.	DESCRIPTION	Qty.
1	1-323142	Nut, Push 1/2	2
2	109-2365	Bumper	2
3	109-3339	Asm, Wheel & Tire 20HP & 23HP	2
	1-633008	Tire, 23x10.5-12 4 Ply	2
	109-33389	Wheel	2
4	1-633859	Frame, Seat	1
5	1-803035	Rivet 3/16 x 1/4	9
6	98-5975	Washer, Spring Disk 3/8	8
7	103-0291	Cushion, Armrest LH	1
8	103-0292	Cushion, Armrest RH	1
9	103-2882	Decal, Exmark Logo	2
10	103-3520	Seat, Back	1
11■	103-4553	Asm, ROPS Fold Pin	2
12	1-543401	Spacer, Seat Track	2
13	103-8383	Screw, HWH 1/4-20 x 3/4 Taptite	11
14	103-5161	Link, Seat Stop	2
15+	103-6761	Asm, Seat Frame	1
16	103-6765-03	Latch, Seat	1
17	32128-33	Nut, Whizlock 1/4-20	2
18	9264964	Bolt, HWH 5/16-18 x 3/4 Tap	4
19	32128-20	Nut, Whizlock 5/16-18	16
20	3296-73	Nut, Nyloc 1/4-20	2
21	103-8316	Spring	1
22	103-8826	Link, Lower Seat Stop	2
23	103-6761	Plate, Seat Mount	1
24	1-633080	Bushing	2
25◆	109-2817	Kit, ROPS	1
26	107-2102	Decals, Warning	1
27	107-3155	Cotter, Hair Pin Double Loop	2
28	109-3633-03	Spacer, Seat Mount	2

Item	Part No.	DESCRIPTION	Qty.
29	3296-7	Nut, Nyloc 7/16-20	2
30	109-0768	Skirt, Rubber	1
31	109-3547	Asm, Front Console W/Decal	1
32	109-2008	Cushion, Seat Bottom/W Switch	1
33	109-2009	Grp, Seat Track	1
34●	109-2005	Asm, Seat W/Decal	1
35	109-2360	Decal, Top Console	1
36	109-2365	Bumper, Rubber W/Stud	2
37	3296-39	Nut, Nyloc 3/8-16	4
38	109-3637	Decal, Service Aid	1
39	110-0413	Kit, Seatbelt	1
40	242-50	Nut, Lug 1/2-20	8
41	283-69	Pin, Clevis 1/2 x 3 1/2	2
42	322-5	Screw, HH 5/16-18 x 1	8
43	322-7	Screw, HH 5/16-18 x 1 1/2	2
44	323-6	Screw, HH 3/8-16 x 1	2
45	323-8	Screw, HH 3/8-16 x 1 1/2	8
46	323-9	Screw, HH 3/8-16 x 1 3/4	2
47	3212-4	Screw, HH 7/16-20 x 1	2
48	3296-29	Nut, Nyloc 5/16-18	4
49	3256-3	Washer, 5/16 Std	6
50	3256-4	Washer, 3/8 Std	1
51	3290-357	Nut, Whizlock 3/8-16	8
52	109-3479	Asm, Wheel & Tire (LH) 27HP	1
	109-3156	Wheel	1
	103-6771	Tire, 24x12-12 4 Ply	1
53	109-3478	Asm, Wheel & Tire (RH) 27HP	1
	109-3156	Wheel	1
	103-6771	Tire, 24x12-12 4 Ply	1
54	3256-14	Washer, #10 Std	9

Exmark black touch up spray paint – Gloss black

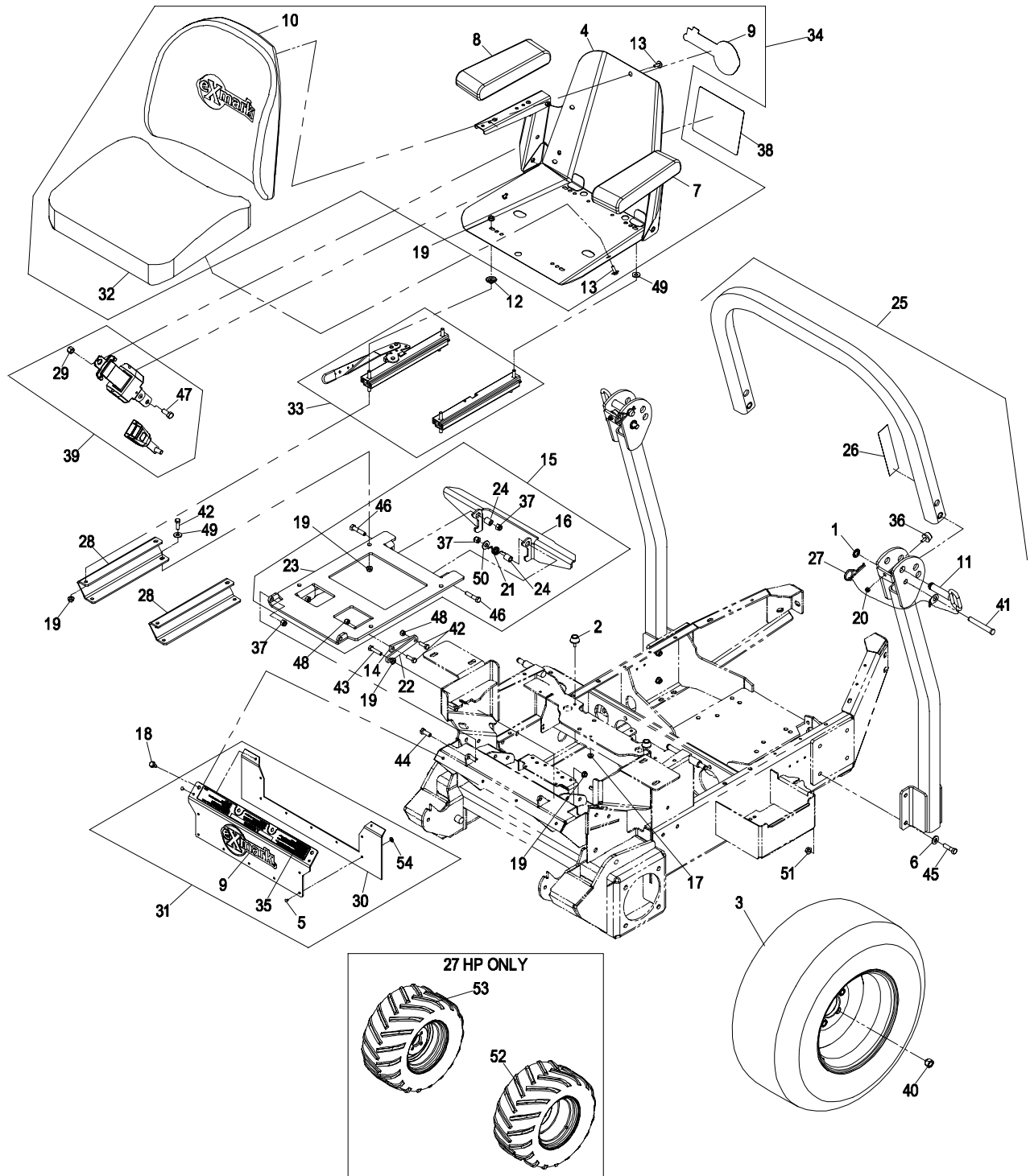
■ Includes ROPS fold pin plus hairpin, item #27.

◆ Rollover protection frame is serviced as a complete assembly only. Includes complete ROPS frame, mounting hardware, fold pivot and locking hardware, seat frame assembly item #15 and seat belt assembly item #39.

● Includes armrests and seat back decal. Does not include seat belt or tracks.

+ Does not include item #19 or #48.

MAIN FRAME GROUP



MAIN FRAME GROUP (cont.)

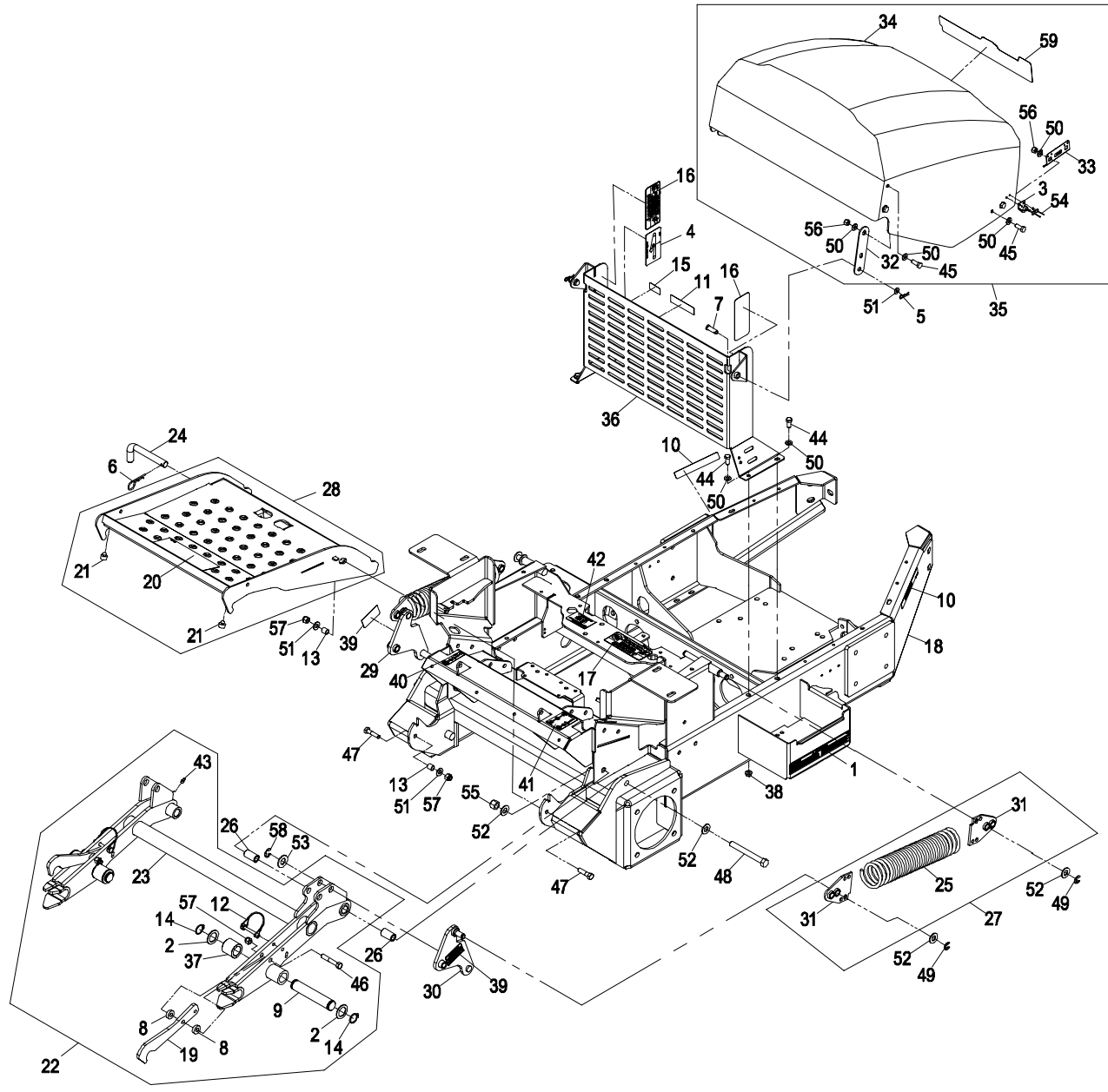
Item	Part No.	DESCRIPTION	Qty.
1	1-513747	Decal, Battery	1
2	1-523157	Washer	4
3	1-643189	Keeper, Rubber Latch	2
4	1-643339	Belt Routing, Decal	1
5	1-806003	Hairpin, Cotter.....	2
6	1-806005	Hairpin, Cotter.....	1
7	1-808285	Pin, Clevis 3/8 x 1 1/8	2
8	5-0652	Spacer	4
9	93-2699	Pin	2
10	98-4361	Decal, Warning	2
11	98-5954	Decal, Danger	1
12	100-1663	Pin	2
13	103-1166	Tube, Pump Link Spacer	2
14	32151-36	Ring, Retaining	4
15	103-3270	Decal, 3750 Rpm	1
16	103-5881	Decal, Guard.....	2
17	103-7218	Decal, Pump Fan Warning.....	1
18	109-2765	Asm, Frame W/Decals.....	1
19	103-9727	Latch, Hitch.....	2
20	107-2112	Decal, Danger	1
21	107-8042	Bumper, Rubber.....	2
22	109-0075	Asm, Hitch	1
23	109-0080-03	Wld, Hitch	1
24	109-0325	Pin, Full Fold.....	1
25	109-0411	Spring	2
26	109-0435	Bushing.....	4
27	109-0450	Asm, Spring	2
28	109-2772	Asm, Floorpan W/Decal.....	1
29	109-2773	Asm, Spring Bellcrank W/Decal (RH).....	1
30	109-2774	Asm, Spring Bellcrank W/Decal (LH)	1

Item	Part No.	DESCRIPTION	Qty.
31	109-0634	Wld, Spring Anchor.....	4
32	109-1256-03	Arm, Pivot.....	2
33	109-1257-03	Hook, Hood.....	2
34	109-2114	Decal, Frontrunner.....	1
35	109-2857	Asm, Hood.....	1
36	109-2777	Asm, Hood Support W/Decals	1
37	109-2004	Roller, Lock Lever.....	2
38	32128-20	Nut, Whizlock 5/16-18	4
39	109-2355	Decal, Spring Loaded	2
40	109-2356	Decal, Motion Control	1
41	109-2357	Decal, Motion Cntl/Park Brake	1
42	109-2396	Decal, Pump Drive Release.....	1
43	302-19	Zerk, 1/4-28 Str.....	2
44	322-3	Screw, HH 5/16-18 x 3/4.....	4
45	322-4	Screw, HH 5/16-18 x 7/8.....	8
46	323-11	Screw, HH 3/8-16 x 2 1/4.....	2
47	323-8	Screw, HH 3/8-16 x 1 1/2.....	2
48	325-18	Screw, HH 1/2-13 x 4 1/2.....	2
49	32120-47	Ring, Retaining	4
50	3256-23	Washer, 5/16 SAE	20
51	3256-24	Washer, 3/8 SAE	4
52	3256-26	Washer, 1/2 SAE	8
53	3256-27	Washer, 5/8 SAE	2
54	3269-24	Rivet	4
55	3296-23	Nut, Nyloc 1/2-13.....	2
56	3296-29	Nut, Nyloc 5/16-18.....	8
57	3296-39	Nut, Nyloc 3/8-16.....	4
58	32120-19	E-Ring	2
59	109-2114	Decal, FrontRunner	1

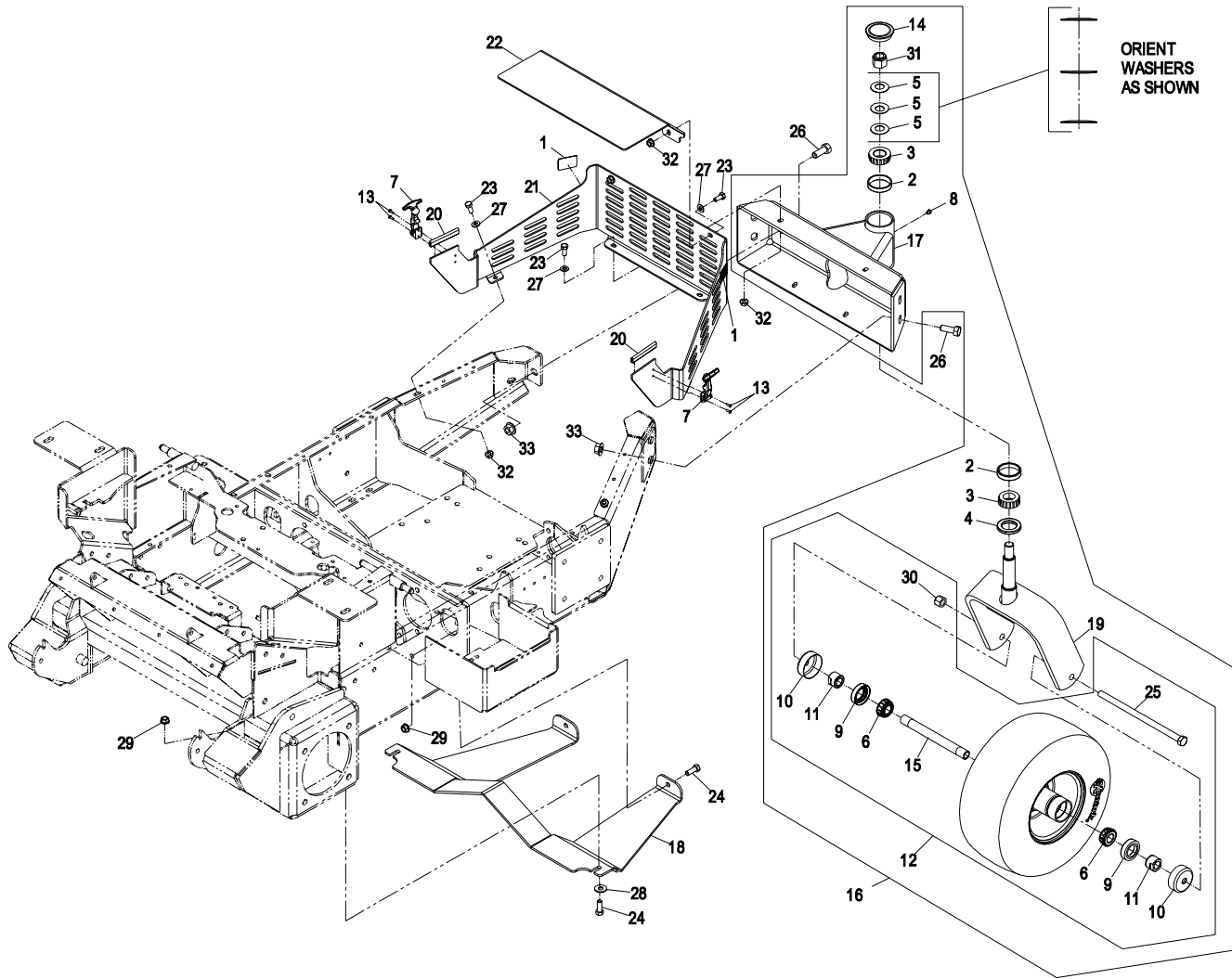
Exmark red touch up paint (spray paint - P/N 1-850337 - .6 oz liquid bottle - P/N 103-9140).

Exmark black touch up spray paint – Gloss black

MAIN FRAME GROUP (cont.)



REAR FRAME GROUP 20HP & 23HP

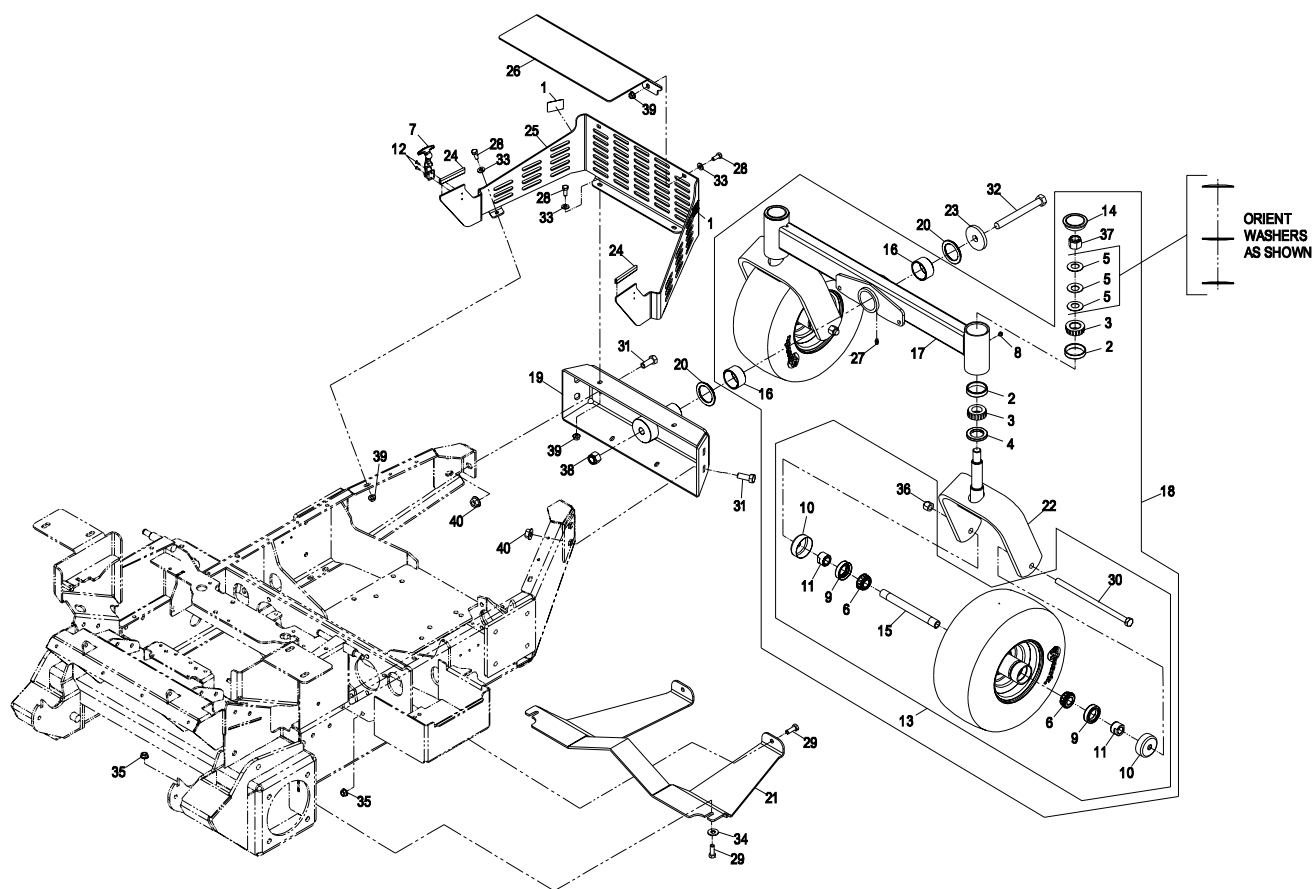


Item	Part No.	Description	Qty.
1	1-513746	Decal, Muffler.....	2
2	1-543508	Cup, Bearing Tapered Roller.....	2
3	1-543509	Cone, Bearing Tapered Roller.....	2
4	1-543511	Seal, Grease.....	1
5	1-633508	Washer, Spring Disk.....	3
6	1-633585	Bearing, Cone Tapered Roller.....	2
7	1-643188	Latch.....	2
8	1-811010	Plug.....	1
9	103-0063	Seal, Double Lip.....	2
10	103-2768	Guard, Seal.....	2
11	103-3051	Spacer, Nut.....	2
12	103-3799	Asm, Caster Wheel.....	1
13	923786	Rivet.....	4
14	103-4882	Cap, Grease.....	1
15	103-5156	Axle, Caster.....	1
16	103-6704	Asm, Single Tailwheel.....	1
17	103-6748-03	Wld, Rear Caster Hub.....	1

Item	Part No.	Description	Qty.
18	103-9789-03	Guard, Hose.....	1
19	103-9868-03	Wld, Caster Fork.....	1
20	105-7699	Strip, Seal.....	2
21	109-2769	Kit, Rear Guard.....	1
22	109-0414-03	Cover, Muffler.....	1
23	322-3	Screw, HH 5/16-18 x 3/4.....	5
24	323-6	Screw, HH 3/8-16 x 1.....	4
25	325-39	Screw, HH 1/2-13 x 9 1/2.....	1
26	325-5	Screw, HH 1/2-13 x 1 1/4.....	6
27	3256-23	Washer, 5/16 SAE.....	5
28	3256-4	Washer, 3/8 Std.....	2
29	3290-357	Nut, Whizlock 3/8-16.....	4
30	3296-23	Nut, Nyloc 1/2-13.....	1
31	3296-51	Nut, Nyloc 3/4-10.....	1
32	32128-20	Nut, Whizlock 5/16-18.....	5
33	32128-49	Nut, Whizlock 1/2-13.....	6

Exmark black touch up spray paint – Gloss black

REAR FRAME GROUP 27HP

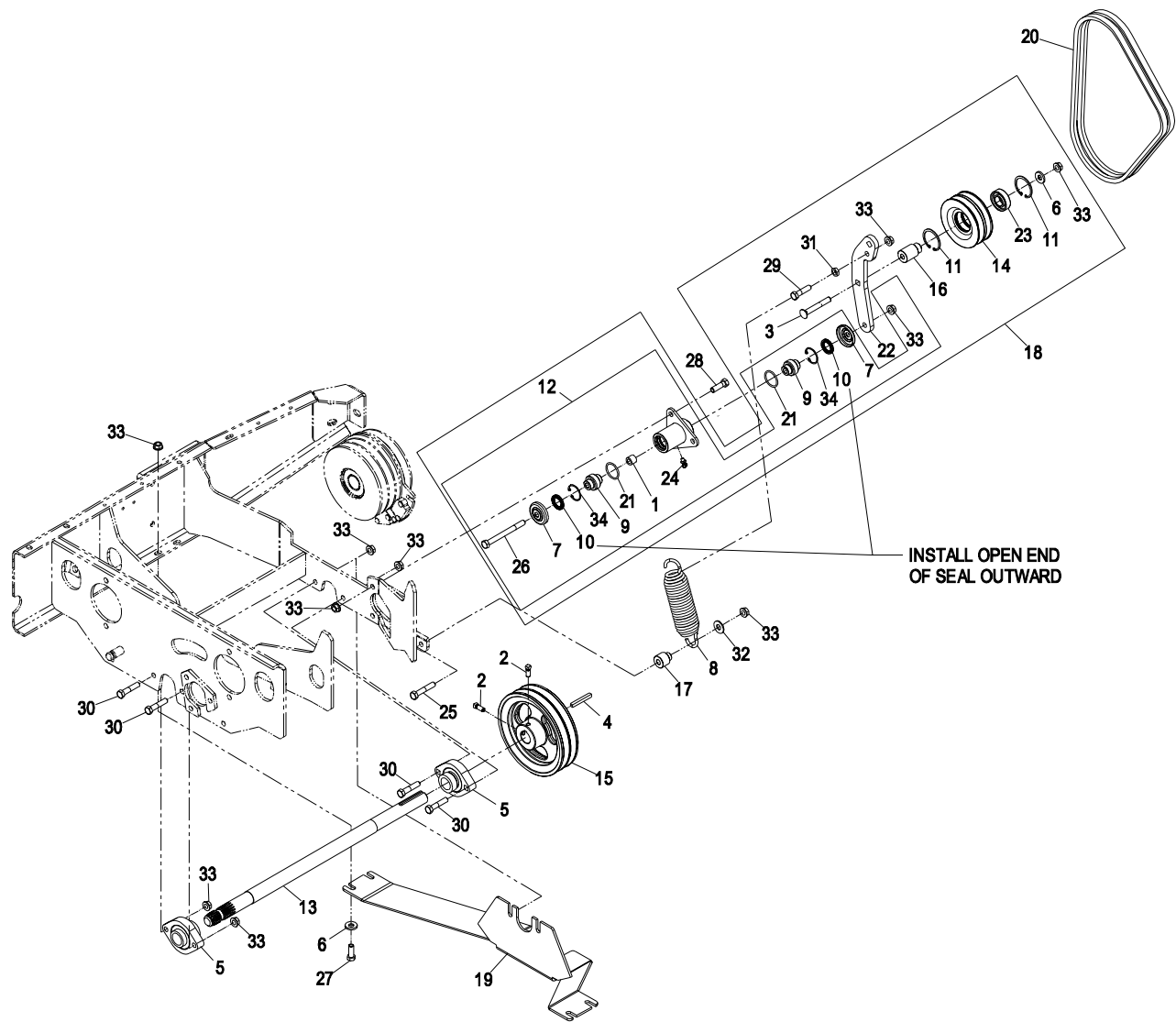


Item	Part No.	Description	Qty.
1	1-513746	Decal, Muffler.....	2
2	1-543508	Cup, Bearing Tapered Roller.....	4
3	1-543509	Cone, Bearing Tapered Roller.....	4
4	1-543511	Seal, Grease.....	2
5	1-633508	Washer, Spring Disk.....	6
6	1-633585	Bearing, Cone Tapered Roller.....	4
7	1-643188	Latch.....	2
8	1-811010	Plug.....	2
9	103-0063	Seal, Double Lip.....	4
10	103-2768	Guard, Seal.....	4
11	103-3051	Spacer, Nut.....	4
12	923786	Rivet.....	4
13	103-3799	Asm, Caster Wheel.....	2
14	103-4882	Cap, Grease.....	2
15	103-5156	Axle, Caster.....	2
16	103-6825	Bearing, Sleeve.....	2
17	103-7957-03	Wld, Dual Caster Tube.....	1
18	103-8347	Asm, Dual Rear Wheels.....	1
19	103-9045-03	Wld, Rear Frame Dual Wheel.....	1
20	103-9051	Bearing, Thrust.....	2

Item	Part No.	Description	Qty.
21	103-9789-03	Guard, Hose.....	1
22	103-9868-03	Wld, Caster Fork.....	2
23	103-9974	Washer.....	1
24	105-7699	Strip, Seal.....	2
25	109-2769	Asm, Rear Guard W/Decals.....	1
26	109-0414-03	Cover, Muffler.....	1
27	302-19	Zerk, 1/4-28 Str.....	1
28	322-3	Screw, HH 5/16-18 x 3/4.....	5
29	323-6	Screw, HH 3/8-16 x 1.....	4
30	325-39	Screw, HH 1/2-13 x 9 1/2.....	2
31	325-5	Screw, HH 1/2-13 x 1 1/4.....	6
32	327-24	Screw, HH 5/8-11 x 5 3/4.....	1
33	3256-23	Washer, 5/16 SAE.....	5
34	3256-4	Washer, 3/8 Std.....	2
35	3290-357	Nut, Whizlock 3/8-16.....	4
36	3296-23	Nut, Nyloc 1/2-13.....	2
37	3296-51	Nut, Nyloc 3/4-10.....	2
38	3296-53	Nut, Nyloc 5/8-11.....	1
39	32128-20	Nut, Whizlock 5/16-18.....	5
40	32128-49	Nut, Whizlock 1/2-13.....	6

Exmark black touch up spray paint – Gloss black

PTO DRIVE GROUP



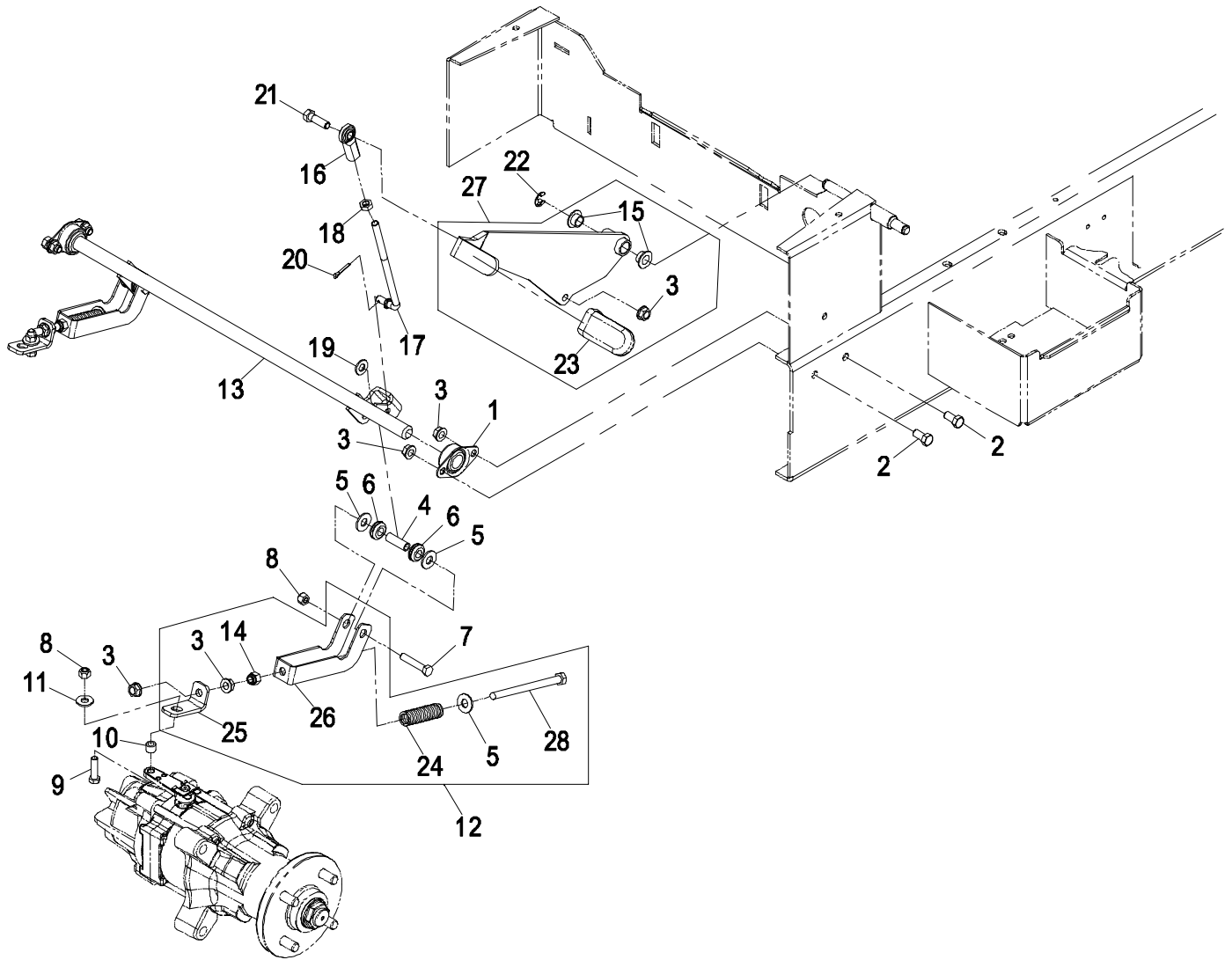
Item	Part No.	DESCRIPTION	Qty.
1	1-413088	Spacer	1
2▲	1-803050	Setscrew, 5/16-18 x 3/4	2
3	1-807525	Bolt, Carriage 3/8-16 x 2 3/4	1
4	5-1336	Key, Machine 1/4 x 1/4 x 2	1
5	92-8799	Bearing, Flanged.....	2
6	98-5975	Washer, Spring Disk 3/8	5
7	103-2916	Guard, Top.....	2
8	103-3330	Spring, Extension.....	1
9	103-3504	Bearing, Spherical.....	2
10	103-3506	Seal, Single Lip.....	2
11	32151-13	Ring, Retaining	2
12	103-6409	Asm, Pump Idler	1
13	103-6779-03	Shaft, Line	1
14	103-6813	Pulley, Idler	1
15	103-6814	Sheave	1
16	103-6836	Spacer	1
17	103-8012	Spacer, Spring.....	1

Item	Part No.	DESCRIPTION	Qty.
18	103-8073	Asm, Linedrive Idler.....	1
19	103-8366-03	Guard, Linedrive	1
20	103-8390	Belts, Matched Pair	1
21	106-7159	O-Ring	2
22	109-0431-03	Arm, Idler.....	1
23	251-347	Bearing, Ball Deep Groove	1
24	302-40	Zerk, 90° 1/4-28.....	1
25	323-10	Screw, HH 3/8-16 x 2.....	1
26	323-16	Screw, HH 3/8-16 x 4.....	1
27	323-6	Screw, HH 3/8-16 x 1.....	4
28	323-7	Screw, HH 3/8-16 x 1 1/4.....	3
29	323-8	Screw, HH 3/8-16 x 1 1/2.....	1
30	323-9	Screw, HH 3/8-16 x 1 3/4.....	4
31	3218-3	Nut, Jam 3/8-16.....	1
32	3256-4	Washer, 3/8 Std.....	1
33	3290-357	Nut, Whizlock 3/8-16	15
34	32120-10	Ring, Retaining	2

Exmark black touch up spray paint – Gloss black

▲ Use Pro-Lock, Nut Type (P/N 1-840022, .5ml tube) on setscrew, item #2.

PARK BRAKE GROUP

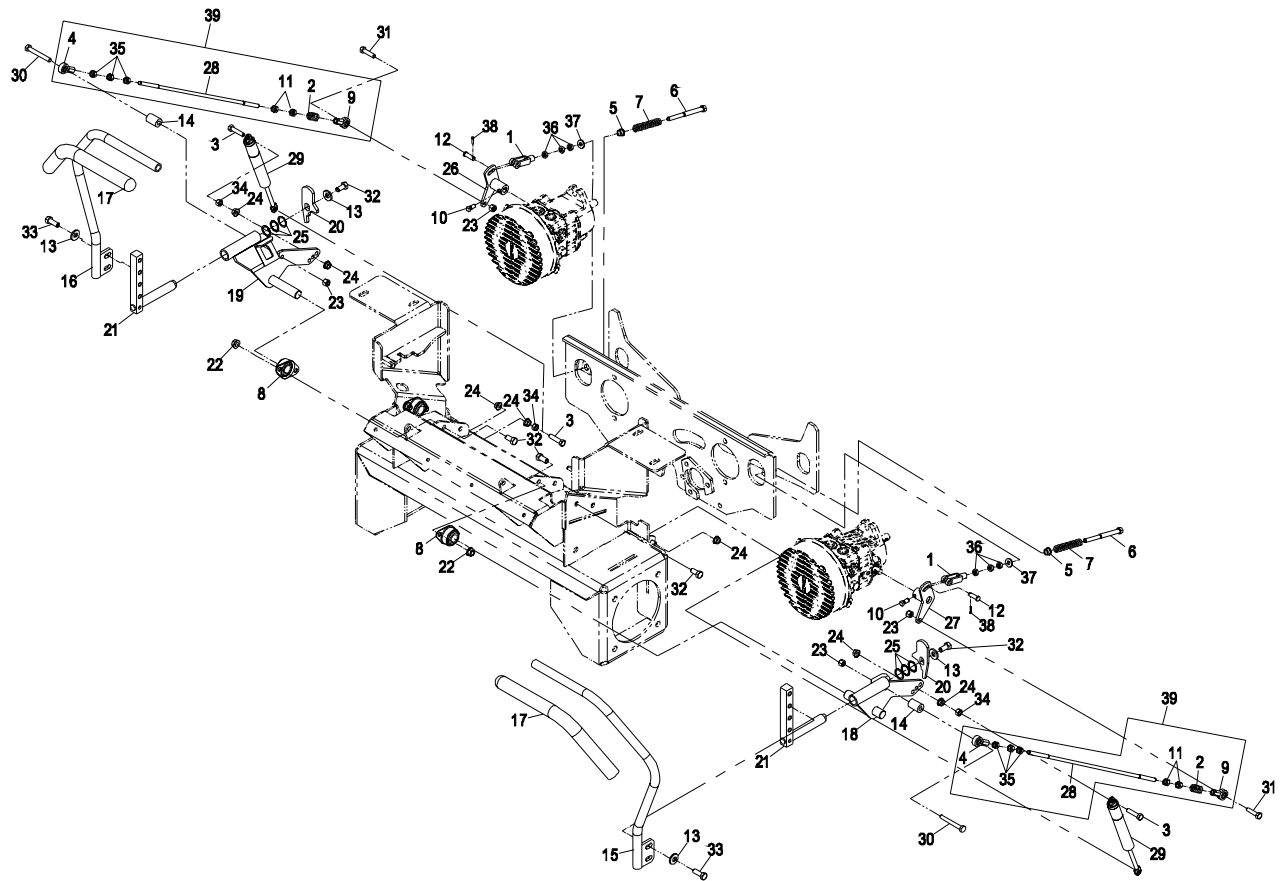


Item	Part No.	DESCRIPTION	Qty.
1	1-633102	Bearing, Flanged.....	2
2	323-4	Screw, HH 3/8-16 x 3/4.....	4
3	3290-357	Nut, Whizlock 3/8-16.....	9
4	109-0262	Spacer.....	2
5	3256-4	Washer, 3/8 Std.....	6
6	1-633630	Grommet.....	4
7	322-9	Screw, HH 5/16-18 x 1 3/4.....	2
8	3296-29	Nut, Nyloc 5/16-18.....	4
9	322-6	Screw, HH 5/16-18 x 1 1/4.....	2
10	103-0126	Bushing.....	2
11	3256-3	Washer, 5/16 Std.....	2
12	109-0132	Asm, Brake Linkage.....	2
13	103-8625-03	Wld, Brake Cross Shaft.....	1
14	3296-59	Nut, Nyloc 3/8-16 Thin.....	2

Item	Part No.	DESCRIPTION	Qty.
15	1-513140	Bearing.....	2
16	103-0608	Balljoint.....	1
17	103-4399	Rod, Linkage Brake.....	1
18	3219-3	Nut, Hex 3/8-24.....	1
19	3256-24	Washer, 3/8 SAE.....	1
20	3272-10	Pin, Cotter 1/8 x 3/4.....	1
21	323-7	Screw, HH 3/8-16 x 1 1/4.....	1
22	32120-47	Ring, Retaining.....	1
23	1-633268	Grip, Brake Lever.....	1
24	103-4388	Spring.....	2
25	109-0130	Link, Brake.....	2
26	109-0131	Clevis, Brake.....	2
27	109-1192	Asm, Brake Lever W/Grip & Bearings....	1
28	323-39	Screw, HH 3/8-16 x 5.....	2

Exmark black touch up spray paint – Gloss black

MOTION CONTROL GROUP



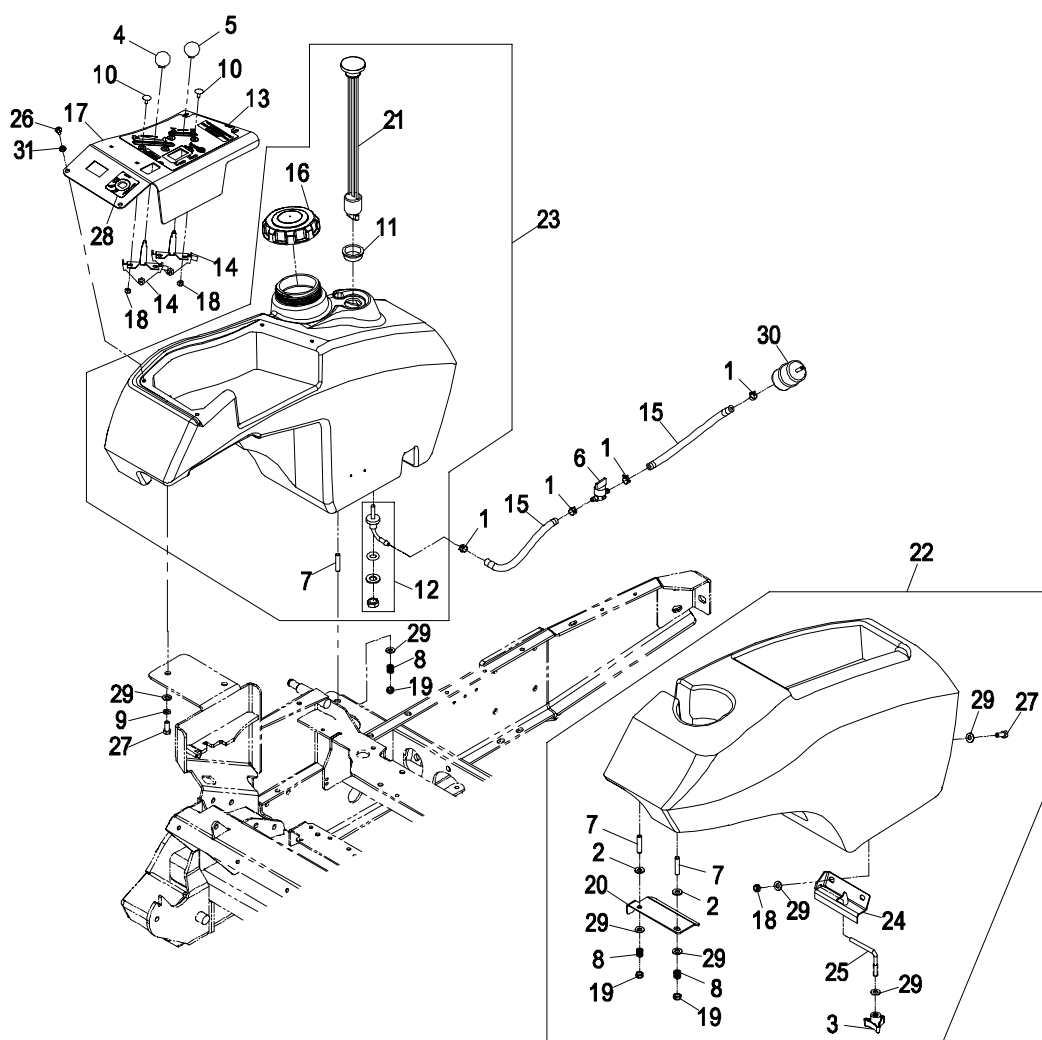
Item	Part No.	Description	Qty.
1	1-303105	Yoke, Adjustable.....	2
2	1-323245	Spring, Compression.....	2
3	1-403180	Screw, HH 5/16-18 X 1 1/4 Sp.....	4
4	1-543017	Balljoint.....	2
5	1-603735	Bushing, Flanged.....	2
6	1-603737	Bolt, Neutral Return.....	2
7	1-603807	Spring.....	2
8	1-633102	Bearing, Flanged.....	4
9	1-633152	Balljoint, LH.....	2
10▲	1-803022	Setscrew, 5/16-18 X 5/8.....	2
11	1-804524	Nut, Hex 5/16-24 (LH).....	4
12	1-808280	Pin, Clevis 5/16 X 1.....	2
13	98-5975	Washer, Spring Disk 3/8.....	6
14	103-1361	Spacer.....	2
15	103-3457	Asm, Handle W/Grip (LH).....	1
16	103-3458	Asm, Handle W/Grip (RH).....	1
17	103-3456	Grip, Control Lever.....	2
18	109-3623	Wld, Lever Control (LH).....	1
19	109-3622	Wld, Lever Control (RH).....	1
20	103-8262	Tab, Motion Cntrl.....	2
21	109-3618	Wld, Control Shaft.....	2
22	3290-357	Nut, Whizlock 3/8-16.....	8

Item	Part No.	Description	Qty.
23	3296-29	Nut, Nyloc 5/16-18.....	4
24	32128-20	Nut, Whizlock 5/16-18.....	8
25	106-5335	Washer, Wave.....	6
26	109-0558-03	Wld, Pump Ctrl (RH) 20HP & 23HP.....	1
	103-8286-03	Wld, Pump Ctrl (RH) 27HP.....	1
27	109-0559-03	Wld, Pump Ctrl (LH) 20HP & 25HP.....	1
	103-8285-03	Wld, Pump Ctrl (LH) 27HP.....	1
28	109-1198	Link, Tracking Rod 20HP & 23HP.....	2
	103-8300	Link, Tracking Rod 27HP.....	2
29	109-2339	Damper, Motion Control.....	2
30	322-12	Screw, HH 5/16-18 X 2 1/2.....	2
31	322-6	Screw, HH 5/16-18 X 1 1/4.....	2
32	323-4	Screw, HH 3/8-16 X 3/4.....	10
33	323-6	Screw, HH 3/8-16 X 1.....	4
34	3217-6	Nut, Hex 5/16-18.....	4
35	3219-2	Nut, Hex 5/16-24.....	6
36	3220-2	Nut, Jam 5/16-24.....	6
37	3256-2	Washer, 1/4 Std.....	2
38	3272-5	Pin, Cotter 3/32 X 1/2.....	2
39	109-2583	Asm, Tracking Rod 20HP & 23HP.....	2
	109-2582	Asm, Tracking Rod 27HP.....	2

Exmark black touch up spray paint – Gloss black.

▲ Use Pro-Lock, Nut Type (P/N 1-840022, .5ml tube) on screw, item #10 & screw, item #32 going into control shaft weldment item #21.

FUEL GROUP



Item	Part No.	Description	Qty.
1	1-303077	Clamp, Fuel Line.....	4
2	1-303334	Washer, Spring Disk 5/16	2
3	1-323385	Knob, 3 Prong.....	1
4	1-513592	Knob, Ball Red.....	1
5	1-513593	Knob, Ball Black.....	1
6	1-603770	Valve, Fuel.....	1
7■	1-633023	Stud, Fuel Tank	4
8	1-633349	Spring, Compression	4
9	1-805005	Washer, Lock 5/16 Heavy.....	2
10	1-807513	Bolt, Carriage #10-24 x 1/2	4
11	95-8972	Grommet.....	1
12▲	103-2605	Fitting, Fuel Bulkhead W/Strainer	1
	103-2784	O-Ring	1
13	109-2699	Decal, Console	1
14	107-8073	Control, Throttle	2
15	109-0303	Hose, Fuel Line 7"	2

Item	Part No.	Description	Qty.
16	109-0346	Cap, Fuel (Gas)	1
17	109-2775	Console	1
18	3296-2	Nut, Nyloc #10-24	4
19	3296-47	Nut, Nyloc 5/16-18 Thin	6
20	109-1202	Hook, Fender.....	1
21	109-1213	Gauge, Fuel.....	1
22	109-1226	Asm, Fender.....	1
23	109-3627	Asm, Fuel Tank	1
24	109-2572	Bracket, Fender.....	1
25	109-2652	Bolt, Fender	1
26◆	32122-30	Screw, Truss HD #10-24 X 1/2	4
27	322-3	Screw, HH 5/16-18 x 3/4.....	4
28	109-2358	Decal, Ignition.....	1
29	3256-23	Washer, 5/16 SAE	11
30+	Kohler	Part No. 2405010 Fuel Filter.....	1
31	1-303435	Washer, Spring Disk 1/4.....	4

Exmark black touch up spray paint – Gloss black

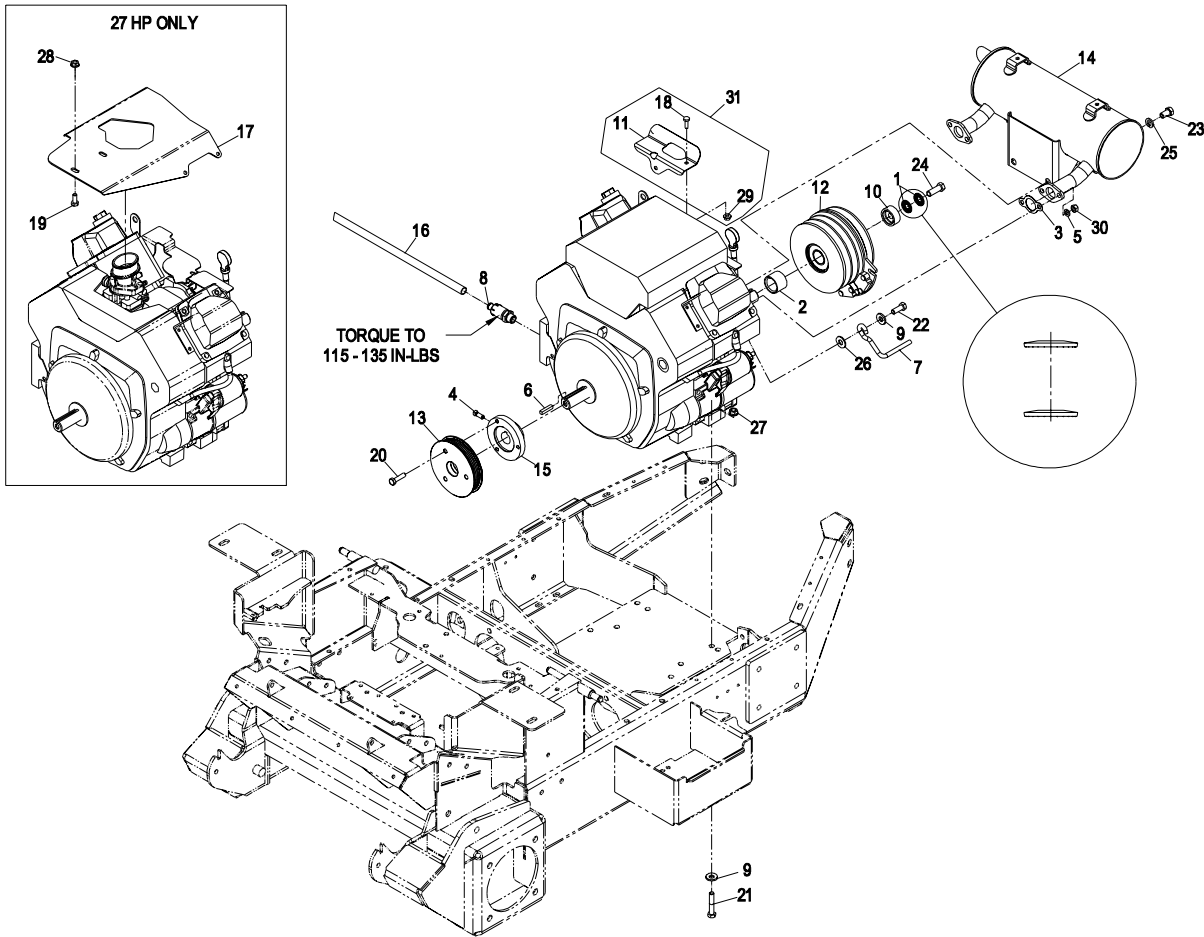
■ Use Pro-Lock, Retaining Type (P/N 1-840023, .5ml tube) on stud threads, item #7 going into the tank.

▲ Use Pro-Lock, Nut Type (P/N 1-840022, .5ml tube) on fuel fitting, item #11.

⊕ Refer to Engine Owner's Manual (Fuel Filter **Must** be 15 Micron or smaller).

◆ Snug fit only on slotted holes, **Do Not Overtighten**, tank must be able to expand.

ENGINE GROUP



Item	Part No.	Description	Qty.
1	1-603610	Washer, Spring Disk 7/16	2
2	1-633179	Spacer	1
3	1-653291	Gasket, Exhaust Manifold	2
4▲	1-803050	Setscrew, 5/16-18 x 3/4	2
5	1-805005	Washer, Lock 5/16 Heavy	4
6	13-2840	Key, Machine 1/4 x 1/4 x 1 1/4	1
7	52-4780	Rod, Belt	1
8+	92-6877	Valve, Oil Drain	1
9	98-5975	Washer, Spring Disk 3/8	5
10	103-0152	Keeper, Clutch	1
11	103-3535	Kit, Cable Heat Shield	1
12	103-0083	Kit, Clutch	1
13	103-6774	Sheave	1
14◆	103-7480	Kit, Muffler	1
15	103-8813	Hub, Adapter	1
16	106-7022	Hose, Oil Drain	1

Item	Part No.	Description	Qty.
17	109-1830-03	Bracket, Air Cleaner (27HP)	1
18	321-4	Screw, HH 1/4-20 x 3/4	1
19	322-3	Screw, HH 5/16-18 x 3/4 (27HP)	2
20▲	322-5	Screw, HH 5/16-18 x 1	3
21▲	323-10	Screw, HH 3/8-16 x 2	4
22	323-6	Screw, HH 3/8-16 x 1	1
23	324-2	Screw, HH 7/16-14 x 3/4	2
24▲	3212-5	Screw, HH 7/16-20 x 1 1/4	1
25	3253-6	Washer, Lock 7/16	2
26	3256-4	Washer, 3/8 Std	1
27	3290-357	Nut, Whizlock 3/8-16	4
28	32128-20	Nut, Whizlock 5/16-18 (27HP)	2
29	32128-33	Nut, Whizlock 1/4-20	1
30	33014-00	Nut, Hex M8-1.25	4
31	103-3535	Kit, Cable Heat Shield	1

Exmark black touch up spray paint – gloss black.

✦ Use a Teflon Pipe Sealant or equivalent on threads.

▲ Use Pro-Lock, Nut Type (P/N 1-840022, .5ml tube) on screws, item #4, #20, #21 & #24

◆ Includes item #3.

20HP & 23HP Kohler Replacement Parts List

(Refer to Engine Owner's Manual)

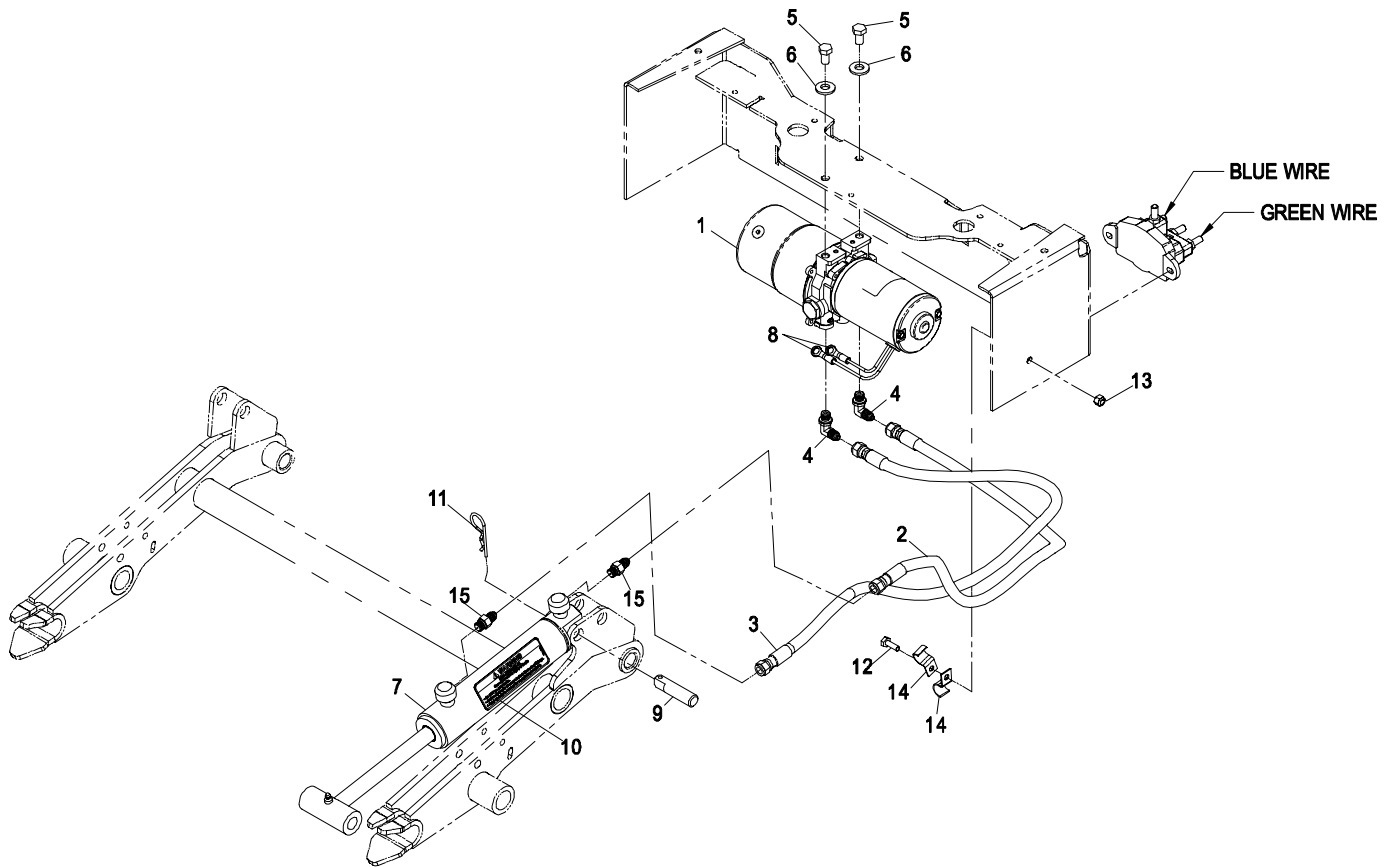
Description	Kohler Part No.
Engine Oil Filter	5205002-S
Engine Air Filter	2408303-S
Safety Filter	2508305-S

27 HP Kohler Replacement Parts List

(Refer to Engine Owner's Manual)

Description	Kohler Part No.
Engine Oil Filter	5205002-S
Engine Air Filter	2508301
Safety Filter	2508304

AUXILIARY HYDRAULIC GROUP



Item	Part No.	Description	Qty.
1▲	109-2853	Asm, Hydraulic Power Unit	1
2	109-2015	Hose, Hydraulic.....	1
3	109-2016	Hose, Hydraulic.....	1
4	109-0760	Adapter, 90°.....	2
	109-1284	O-Ring (37° Flare #4).....	1
	1-603923	O-Ring (SAE #4).....	1
5	323-4	Screw, HH 3/8-16 x 5/8.....	2
6	98-5975	Washer, Spring Disk 3/8.....	2
7	109-2812	Asm, Cylinder W/Decal.....	1
	109-2856	Kit, Hyd Cylinder Seal	1

▲ Includes item #8.

Item	Part No.	Description	Qty.
8	109-2663	Terminal, Ring 5/16	2
9	109-1180	Pin, Cylinder Mount	1
10	109-2377	Decal, High Pressure Oil	1
11	1-806005	Hairpin, Cotter	1
12	321-4	Screw, HH 1/4-20 x 3/4.....	1
13	3296-42	Nut, Nyloc 1/4-20.....	1
14	103-1193	Clip, Loom	2
15	109-2017	Adapter, Straight.....	2
	109-1284	O-Ring (37° Flare #4)	1
	1-603923	O-Ring (SAE #4).....	1

HYDRAULIC GROUP

Item	Part No.	Description	Qty.
1	1-413088	Spacer	1
2	1-603990	Adapter, Straight	8
	1-603992	O-Ring (37° Flare #8)	1
	1-603920	O-Ring (SAE #8)	1
3	1-633167	Sheave, Idler	1
4	1-805004	Washer, Lock 1/4 Heavy	2
5	1-807272	Key, 5mm x 5mm x 25mm 20 & 23HP ...	2
	103-2739	Key, 5mm x 5mm x 32mm 27HP	2
6▲	30-1710	Setscrew, 5/16-18 x 1	4
7	98-5975	Washer, Spring Disk 3/8	1
8	103-1828	Adapter, Running Tee	3
	1-603921	O-Ring (SAE #6)	1
9	103-1947	Asm, Hydraulic Reservoir W/Decal 20HP & 23HP	1
	109-0582	Asm, Hydraulic Reservoir W/Decal 27HP	1
10	103-7615	Asm, Cap W/Gasket	1
11	103-1949	Gasket, Reservoir Cap	1
12	103-1988	Clamp, Hose 11/16	6
13	103-2146	Element Hydraulic Oil Filter	1
14	103-2155	Adapter, 90°	2
15	103-2156	Adapter, Straight 20 & 23HP	3
	103-1020	O-Ring (37° Flare #6)	1
	1-603921	O-Ring (SAE #6)	1
	1-603990	Adapter, Straight 27HP	3
	103-1020	O-Ring (37° Flare #6)	1
	1-603920	O-Ring (SAE #8)	1
16	103-2259	Head, Filter	1
17	103-2916	Guard, Top	2
18	103-3330	Spring, Extension	1
19	103-3504	Bearing, Spherical	2
20	103-3506	Seal, Single Lip	2
21	103-6409	Kit, Pump Idler	1
22	1-303287	Tie, Cable 5 1/2 (Small)	1
23	103-8011	Spacer, Spring	1
24■	103-9196	Pump, Hydro W/Fan (LH) 20 & 23HP	1
+	103-8357	Pump, Hydro W/Fan (LH) 27HP	1
25■	103-9197	Pump, Hydro W/Fan (RH) 20 & 23HP	1
+	103-8358	Pump, Hydro W/Fan (RH) 27HP	1
26	106-7159	O-Ring	2

Item	Part No.	Description	Qty.
27	109-0633-03	Arm, Idler	1
28	109-0816	Belt	1
29	109-0899	Hose, Hydraulic	1
30	109-0900	Hose, Hydraulic	1
31	109-0901	Hose, Hydraulic	1
32	109-0902	Hose, Hydraulic	1
33	109-1008	Hose, Case Drain	2
34	109-1009	Hose, Hydraulic	1
35	109-1010	Hose, Hydraulic	1
36●	109-1055	Motor, Wheel (RH) 20 & 23HP	1
●	103-9519	Motor, Wheel (RH) 27HP	1
37●	109-1056	Motor, Wheel (LH) 20 & 23HP	1
●	103-9520	Motor, Wheel (LH) 27HP	1
38	109-1217	Adapter, 90° 20 & 23HP	2
	103-2153	Adapter, 90° 27HP	2
	103-1020	O-Ring (37° Flare #6)	1
	1-603920	O-Ring (SAE #8)	1
39	109-2201	Sheave 20 & 23HP	2
	109-2202	Sheave 27HP	2
40	109-2655	Hose, Hydraulic 20 & 23HP	1
	109-4644	Hose, Hydraulic 27HP	1
41	109-2656	Hose, Hydraulic 20 & 23HP	1
	109-4645	Hose, Hydraulic 27HP	1
42	302-40	Zerk, 90° 1/4-28	1
43	321-3	Screw, HH 1/4-20 x 5/8	2
44	321-6	Screw, HH 1/4-20 x 1	2
45	323-16	Screw, HH 3/8-16 x 4	1
46	323-7	Screw, HH 3/8-16 x 1 1/4	7
47	325-10	Screw, HH 1/2-13 x 2 1/2	8
48	3231-10	Bolt, Carriage 3/8-16 x 3	1
49	3231-6	Bolt, Carriage 3/8-16 x 2	1
50	3256-22	Washer, 1/4 SAE	2
51	3256-26	Washer, 1/2 SAE	8
52	3256-4	Washer, 3/8 Std. <small>As Req'd.</small>	1
53	3290-357	Nut, Whizlock 3/8-16	6
54	32120-10	Ring, Retaining	2
55	32128-33	Nut, Whizlock 1/4-20	2
56	32128-49	Nut, Whizlock 1/2-13	8
57	1-523552	Decal, Hydraulic Tank	1
58	32128-43	Nut, Whizlock 3/8-16	4

Exmark black touch up spray paint – gloss black.

▲ Use Prolock, Nut Type (P/N 1-840022, .5ml tube) on setscrews, items #6.

● Wheel Motor Service Kits		
Part No.	Description	Qty.
103-9762	Kit, Seal	1
103-9763	Handle, Actuating	1
103-9764	Clip, Retaining	1

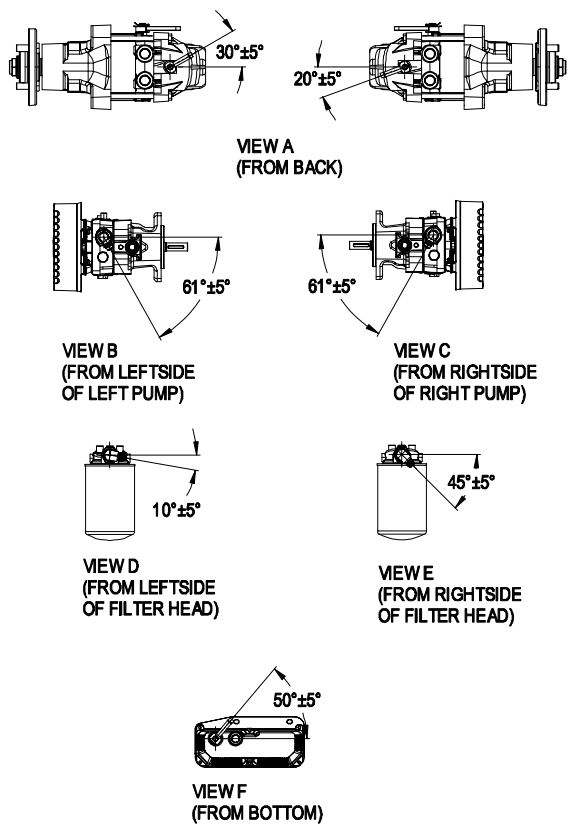
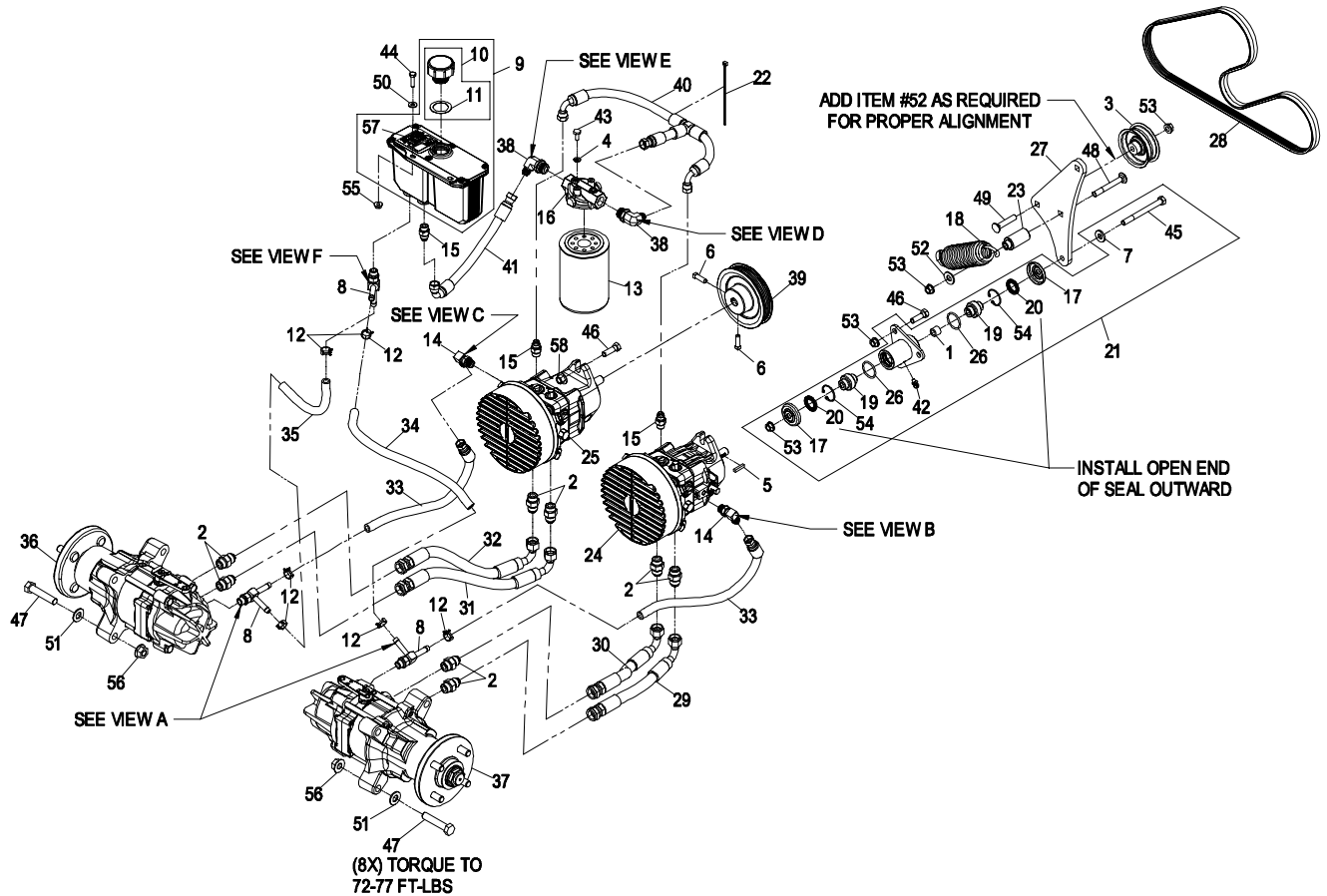
● Wheel Motor Service Kits		
Part No.	Description	Qty.
103-9765	Nut, Hex Toplock 1-20UNEF-2B	1
103-4242	Asm, Wheel Hub W/Studs	1
103-7447	Stud, Wheel 1/2-20 x 1/2	4

■ Hydro Pump Service Kits 20 & 23HP		
Part No.	Description	Qty.
103-7441	Bearing, Input Shaft PJ	1
103-7443	Kit, Cylinder Block 12CC PJ	1
103-8448	Bearing, Thrust PJ	1
105-6184	Kit, Overhaul Seal PJ	1
103-7488	Fan, Pump Cooling	1
103-7489	Guard, Pump Fan	1

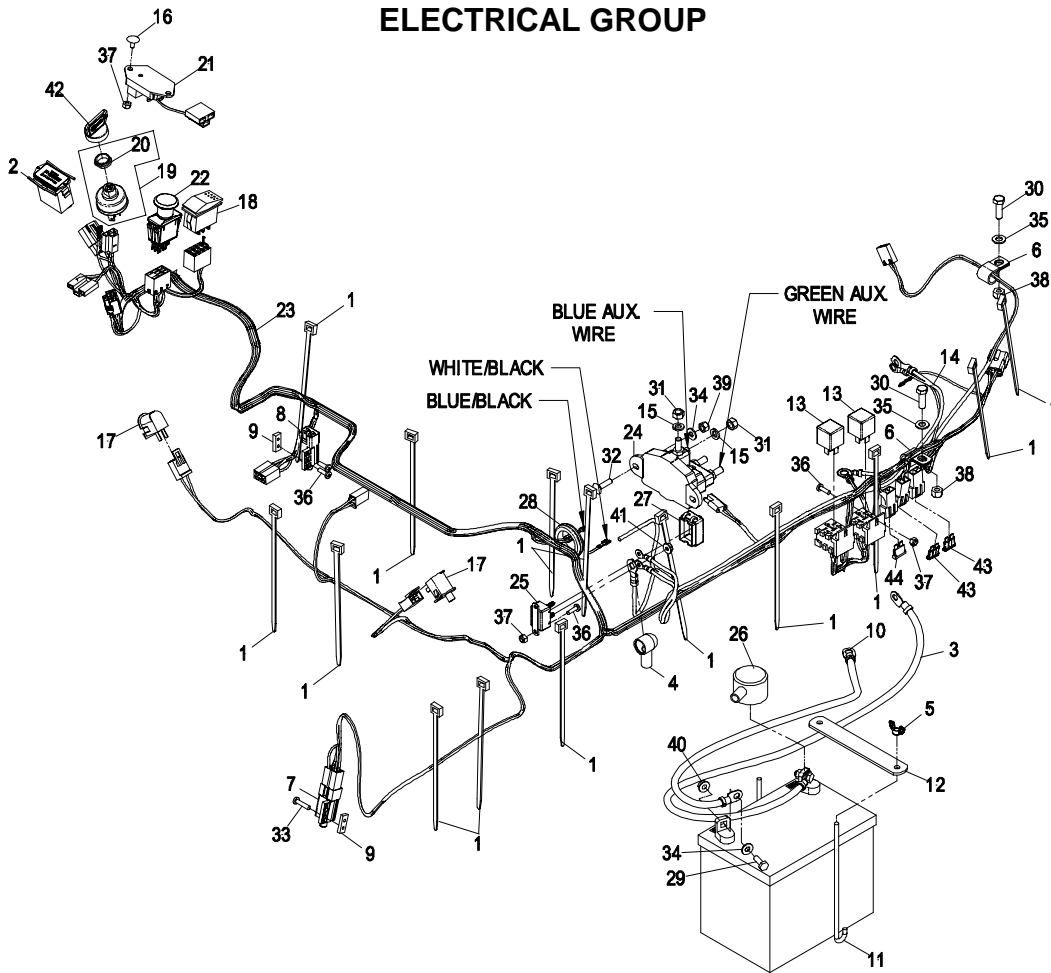
Part No.	Description	Qty.
109-2863	Bearing, Input Shaft PR	1
109-2864	Kit, Cylinder Block 12CC PR	1
109-2865	Bearing, Thrust PR	1
109-2866	Kit, Overhaul Seal PR	1
109-2867	Plate, Valve PR	1
103-7488	Fan, Pump Cooling	1
103-7489	Guard, Pump Fan	1

+ Hydro Pump Service Kits 27HP		
--------------------------------	--	--

HYDRAULIC GROUP



ELECTRICAL GROUP



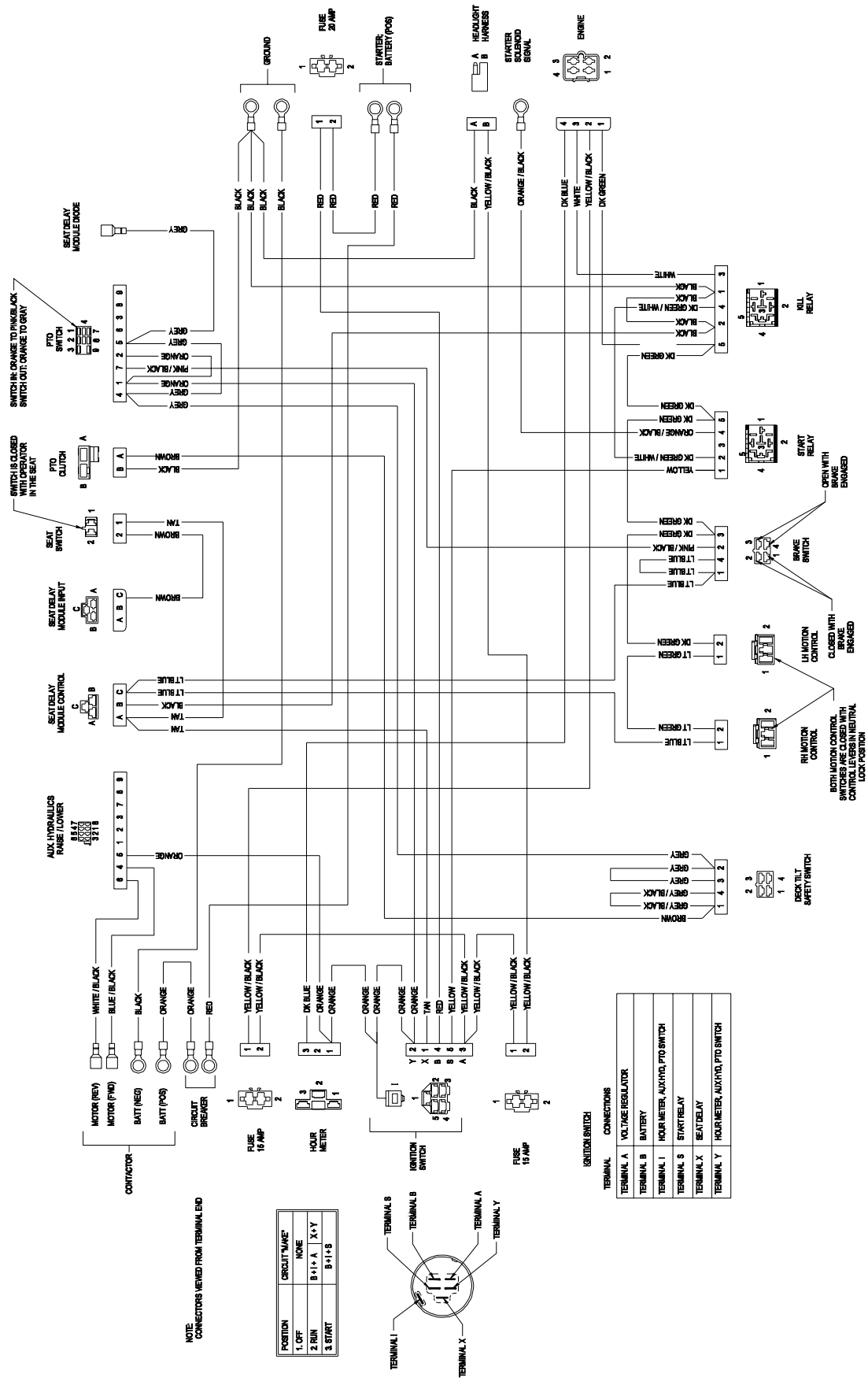
Item	Part No.	Description	Qty.
1	1-303335	Tie, Cable 7 5/16 (Large)	14
2	1-513374	Meter, Engine Hours	1
3	1-523279	Cable, Battery (+).....	1
4	1-543393	Insulator, Solenoid	2
5	1-543792	Wingnut, Nyloc 1/4-20.....	2
6	1-603727	Clip, Loom	2
7	1-633110	Switch	1
8	1-633111	Switch	1
9	1-633181	Plate, Tapped	2
10	1-633307	Cable, Ground (-).....	1
11	1-633651	Bolt Battery Hold Down.....	2
12	107-9277-03	Strap, Battery Hold Down.....	1
13	1-643275	Relay, 12VDC 40 Amp.....	2
14	109-2589	Harness, Auxiliary Hydraulics.....	1
15	1-805005	Washer, Lock 5/16 Heavy	4
16	1-807513	Bolt, Carriage #10-24 x 1/2	2
17	82-2190	Switch	2
18	109-4813	Switch	1
19	109-4736	Asm, Switch W/Nut.....	1
20	103-0498	Nut, Ignition.....	1
21	103-5218	Module, Seat Delay.....	1
22	103-5221	Switch, PTO.....	1

Item	Part No.	Description	Qty.
23◆	103-9268	Harness, Wiring.....	1
24	109-0742	Contactor, Reversing Polarity	1
25	109-2398	Breaker, Circuit 40A.....	1
26	109-2407	Insulator, Battery (+)	1
27	109-2571	Cover, Circuit Breaker	1
28	240-3	Grommet	1
29	321-4	Screw, HH 1/4-20 x 3/4.....	2
30	322-5	Screw, HH 5/16-18 x 1	2
31	3219-2	Nut, Hex 5/16-24.....	4
32	3229-2	Bolt, Carriage 1/4-20 x 1	2
33	3250-27	Screw, PPH #10-24 x 7/8.....	2
34	3256-22	Washer, 1/4 SAE.....	4
35	3256-23	Washer, 5/16 SAE	2
36	3290-500	Screw, PPH #10-24 x 5/8.....	6
37	3296-2	Nut, Nyloc #10-24	6
38	3296-29	Nut, Nyloc 5/16-18	2
39	3296-42	Nut, Nyloc 1/4-20.....	2
40	32128-33	Nut, Whizlock 1/4-20	2
41	32149-8	Nut, Keps 10-32 Unf YZ.....	2
42	103-2106	Key, Exmark Logo	1
43	1-816001	Fuse, 20 Amp	2
44	109355	Fuse, 15 Amp.....	1

Exmark black touch up spray paint – gloss black.

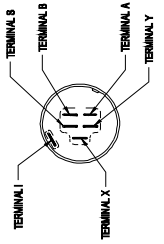
◆ Use dielectric grease on all wiring harness connectors.

ELECTRICAL DIAGRAM



NOTE: CONNECTORS VIEWED FROM TERMINAL END

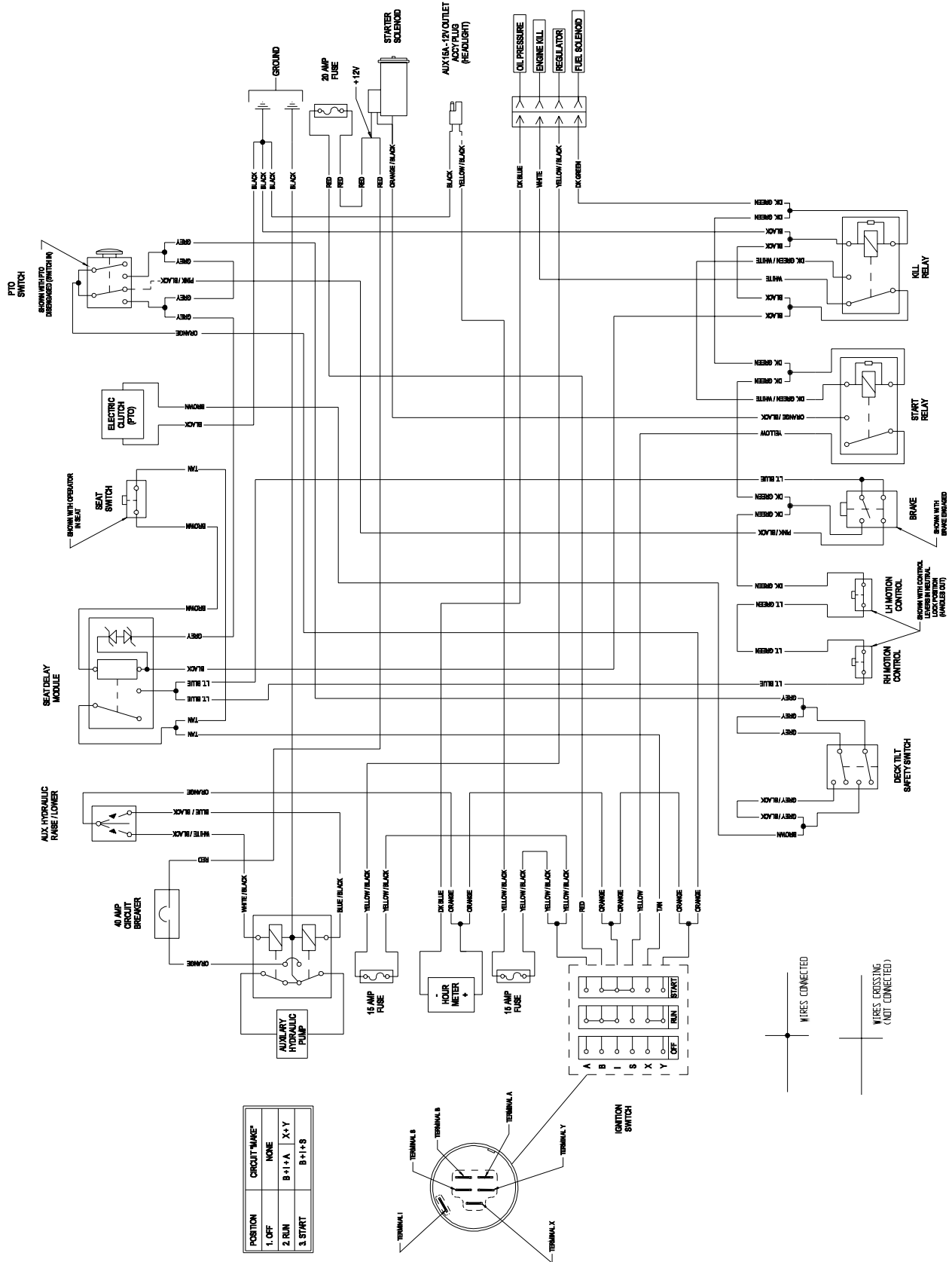
POSITION	CIRCUIT NAME
1. OFF	NONE
2. RUN	B+1+A X+Y
3. START	B+1+S



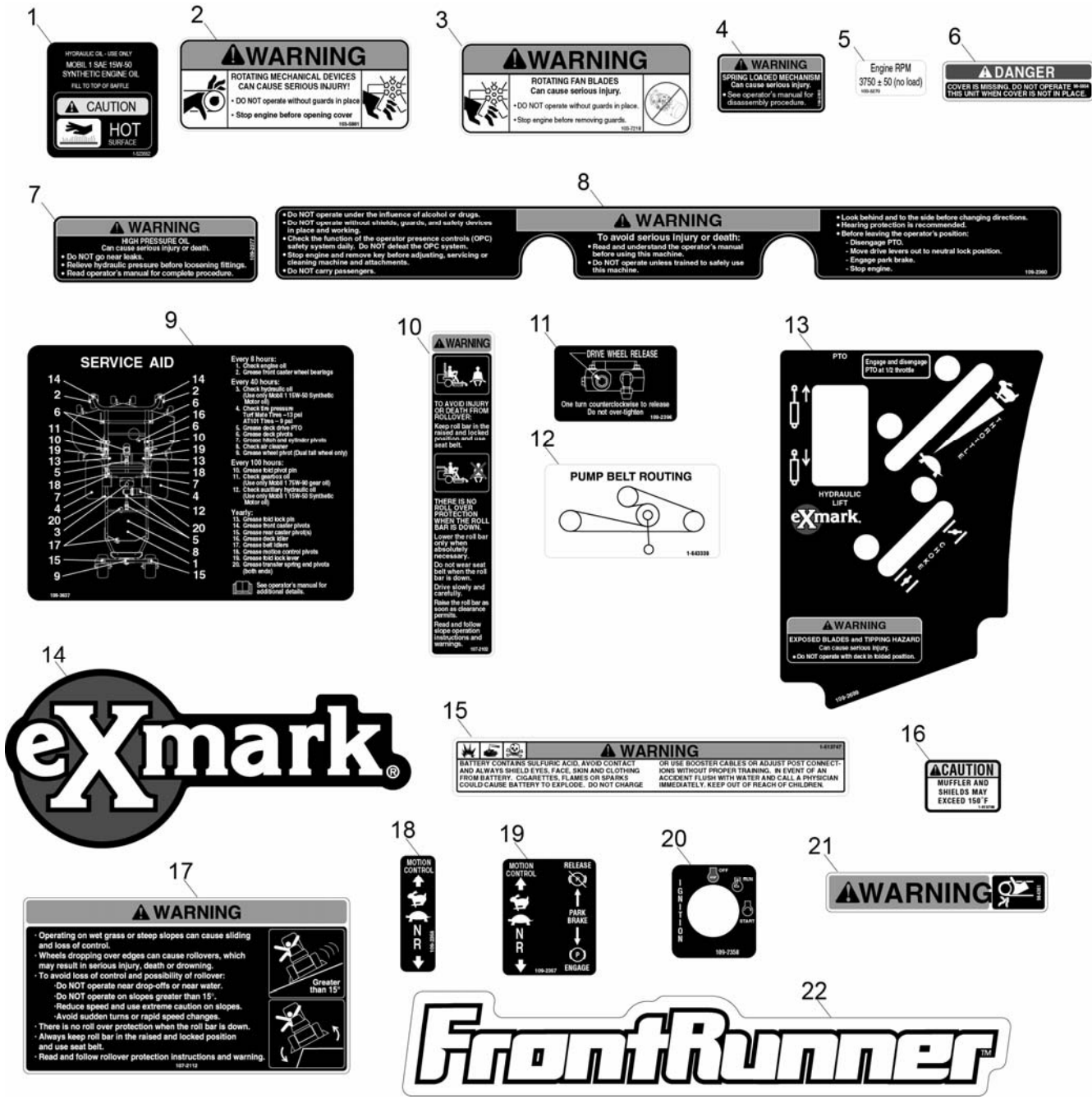
IGNITION SWITCH CONNECTIONS

TERMINAL A	VOLTAGE REGULATOR
TERMINAL B	BATTERY
TERMINAL 1	HOUR METER, AUX HYD, PTO SWITCH
TERMINAL S	START RELAY
TERMINAL X	SEAT DELAY
TERMINAL Y	HOUR METER, AUX HYD, PTO SWITCH

ELECTRICAL LOGIC SCHEMATIC



DECALS GROUP



Item	Part No.	Description	Qty.
1	1-523552	Decal, Hydraulic Tank	1
2	103-5881	Decal, Rotating Devices	2
3	103-7218	Decal, Pump Fan Warning	1
4	109-2355	Decal, Spring Loaded	2
5	103-3270	Decal, 3750 Rpm	1
6	98-5954	Decal, Missing Cover	1
7	109-2377	Decal, High Pressure Oil	1
8	109-2360	Decal, Top Console	1
9	109-3637	Decal, Service Aid	1
10	107-2102	Decal, Folding Rops Warning	1
11	109-2396	Decal, Pump Drive Release	1
12	1-643339	Decal, Routing Belt	1

Item	Part No.	Description	Qty.
13	109-2699	Decal, Console	1
14	103-2882	Decal, Exmark Logo	2
15	1-513747	Decal, Battery	1
16	1-513746	Decal, Muffler	2
17	107-2112	Decal, Warning	1
18	109-2356	Decal, Motion Control	1
19	109-2357	Decal, Motion Cntl/Park Brk	1
20	109-2358	Decal, Ignition	1
21	98-4361	Decal, Warning	2
22	109-2114	Decal, Frontrunner	2
	109-2851	Kit, Decal	

NOTES

SEE EXMARK'S COMPLETE LINE OF ACCESSORIES

RIDING ACCESSORIES

CUSTOM RIDE SEAT SUSPENSION SYSTEM
DECK LIFT ASSIST KIT
HITCH KIT
LIGHT KIT
MICRO-MULCH SYSTEM
ROLL OVER PROTECTION SYSTEM (ROPS)
SNOW BLADE
SUN SHADE
TRASH CONTAINER
TURF STRIPER
ULTRA VAC COLLECTION SYSTEM
ULTRA VAC QUICK DISPOSAL SYSTEM

WALK BEHIND ACCESSORIES

GRASS CATCHER
MICRO-MULCH SYSTEM
STEERABLE SULKY
SULKY HITCH KIT
TURF STRIPER
STANDON

Check us out on the Web:
www.exmark.com

© 2005-2006 EXMARK MFG. CO. INC.
INDUSTRIAL PARK BOX 808
BEATRICE, NE 68310

PART NO. 109-4817 Rev. A
(402) 223-6300
FAX (402) 223-5489

ALL RIGHTS RESERVED

PRINTED IN U.S.A.

