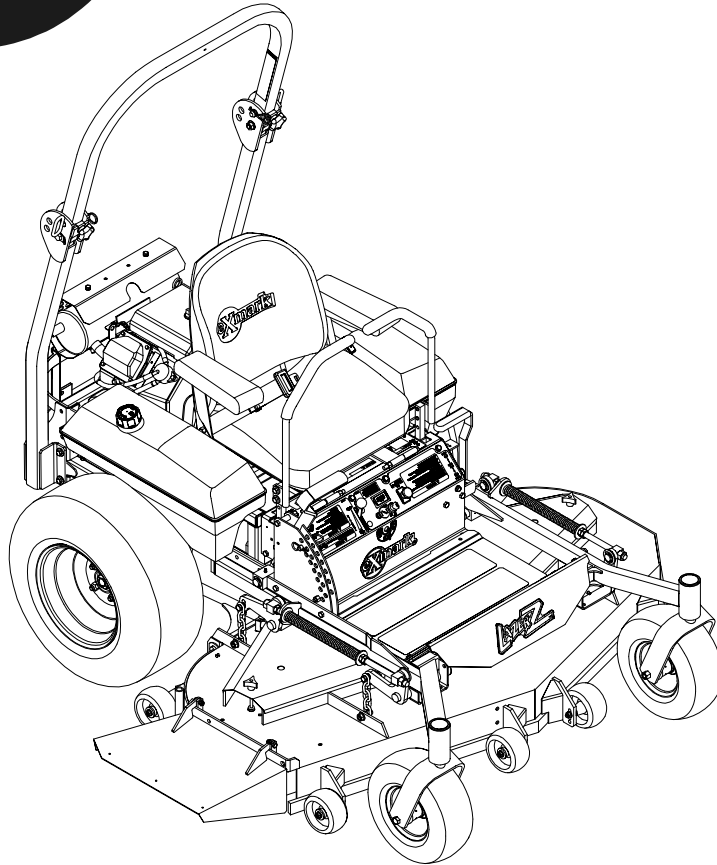


For Serial Nos.
510,000 & Higher



PARTS MANUAL

LAZER Z[®]

ADVANTAGE SERIES MODELS

CONGRATULATIONS on the purchase of your new Exmark mower. This product has been carefully designed and manufactured to give you a maximum amount of dependability and years of trouble-free operation. If additional information is needed, or should you require trained mechanic service, contact your authorized Exmark equipment dealer or distributor. If you need to order replacement parts from your dealer, always give the model number and serial number of your mower as well as the part number, description and quantity of the part needed.

The Serial No. plate is located on the right side of the console. For ease of ordering and reference, we suggest that you record the information requested in the following identification table.

Place Model No. and Serial No. Label Here (Included in Literature Pack) or Fill in Below
Model No. _____
Serial No. _____

Engine Model No. and Spec. No. (Code) _____

Engine Serial No. (E/No) _____

Date Purchased _____

EXMARK PARTS PLUS® PROGRAM

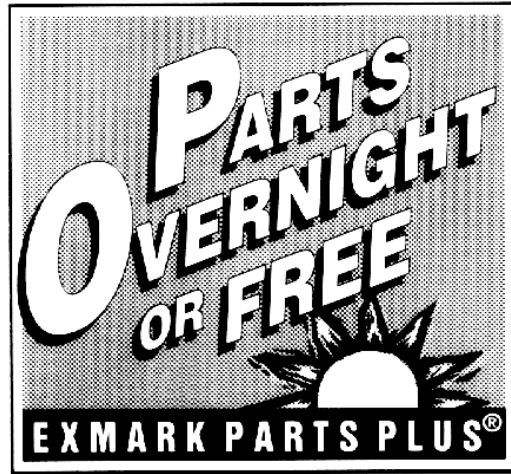
EFFECTIVE DATE: September 1, 1995

Program

If your Exmark dealer does not have the Exmark part in stock, Exmark will get the parts to the dealer the next business day or the part will be FREE* Guaranteed!!

How the Program Works

1. If dealer does not have part in stock for a "down" unit at the time of request by customer, the dealer contacts his distributor by 1:00 p.m., local time, and requests Exmark Parts Plus® shipment of six (6) line items or less.
2. Distributor ships part(s) to dealer or customer, as requested by dealer, same day, overnight UPS. Distributor bills dealer for part and freight charges where applicable.
3. If distributor does not have the part(s) in stock to satisfy Exmark Parts Plus® order, he contacts Exmark by 3:00 p.m., central time, with an Exmark Parts Plus® order of six (6) line items or less.
4. If order is received by 3:00 p.m. central time, Exmark ships part(s) direct to dealer or customer, as requested by distributor, same day, overnight UPS. Exmark bills the distributor for parts and shipping charges, where applicable.
5. The customer pays for the part and freight if it is shipped under the Exmark Parts Plus® and if it arrives in accordance to the program.
6. Who pays for the part and freight if it fails to arrive overnight in accordance to the program?
 - A. Under any circumstance the customer does not pay.
 - B. If the part does not arrive overnight due to:
 1. The dealer not submitting the Exmark Parts Plus® order to his Exmark distributor by 1:00 p.m., the dealer pays for the part and freight.
 2. The Distributor being unable to ship the part the same day or not submitting the Exmark Parts Plus® order to Exmark by 3:00 p.m., central time, the Distributor pays for the part and freight.
 3. Exmark being unable to ship the part and the Exmark parts order is received by 3:00 p.m., central time, Exmark pays for the part and freight.
 4. If the part does not arrive overnight due to the shipper (UPS), the shipper pays for the freight and Exmark pays for the part.



The following restrictions apply -- The Exmark Parts Plus® Program is available only through participating Exmark Dealers and applies only to orders submitted on this program Monday through Thursday. Parts Plus service is available only in the 48 contiguous United States. UPS has initiated a Saturday delivery program to many areas of the continental United States and can be requested for an overnight shipment on Friday to be delivered Saturday. The next day air charge, plus the Saturday delivery fee will be the responsibility of the purchaser. Exmark Mfg. will assume no responsibility for Saturday delivery shipments. To qualify, all Exmark Parts Plus® orders must be received by Exmark by 3:00 p.m., central time. Orders must be six (6) line items or less. Exclusions from the Exmark Parts Plus® Program are: Any wholegood or accessory in its entirety, engines and engine replacement parts, 5-speed Peerless transmissions and 5-speed transaxles, hydraulic or hydrostatic wheel motors, cutter decks and engine decks or any item exceeding United Parcel Service size and weight restrictions.

Due to UPS restrictions, aerosol spray paint is considered a hazardous material and cannot be shipped via UPS next day or Second Day Air.

Exmark Manufacturing stocks a limited supply of parts for transaxles, pumps and wheel motors. These parts can be ordered for Next Day Air shipment but will not be guaranteed per the Parts Plus Program.



**READ OPERATOR'S MANUAL BEFORE
OPERATING OR SERVICING EXMARK EQUIPMENT.**

TABLE OF CONTENTS

<u>Description</u>	<u>Page</u>
Decal Group.....	19-20
Electrical Diagram.....	22
Electrical Group	21
Electrical Logic Schematic	23
Engine Deck Group.....	14-16
Front Frame Group	7-8
Fuel Group.....	11
Hydraulics Group	17-18
Main Frame Group.....	9-10
Motion Control Group.....	13
Park Brake Group	12
52" Deck Group.....	3-4
60" Deck Group.....	5-6

52" DECK GROUP

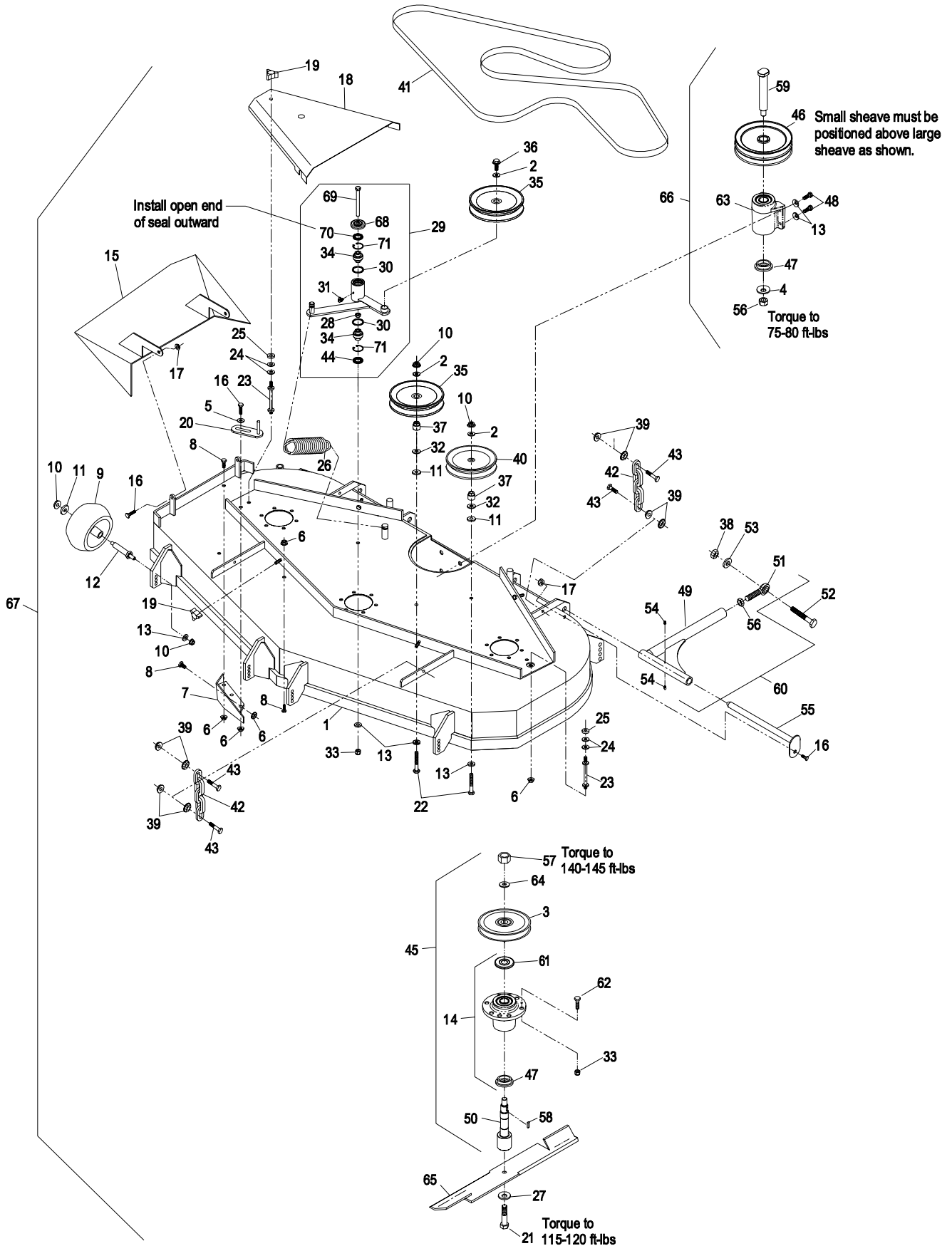
Item	Part No.	Description	Qty.
1	103-3183	Asm, Deck (103-3026-01) W/Decals	1
2	3256-24	Washer, 3/8 SAE	3
3+	103-2794	Sheave, Blade Drive	3
4	1-513208	Washer, Spring Disk	1
5	1-303334	Washer, 5/16 Spring Disk.....	1
6	32128-20	Nut, 5/16-18 Whizlock	8
7	1-602913-01	Baffle Wldmt, Discharge.....	1
8	322-2	Screw, 5/16-18 x 5/8	5
9★	1-603299	Roller, Antiscalp	6
10	3290-357	Nut, 3/8-16 Whizlock.....	14
11	1-373034	Washer, Pivot.....	8
12	99-2842	Spacer	6
13	98-5975	Washer, 3/8 Spring Disk.....	13
14+	103-8280	Housing W/Bearings	3
15	103-5870-01	Chute, Discharge 52".....	1
16	322-5	Screw, 5/16-18 x 1	5
17	3296-29	Nut, 5/16-18 Nyloc	4
18	1-633357-01	Shield, Belt 52".....	2
19	1-323385	Knob, Belt Shield	6
20	1-322110	Belt Guide Wldmt.....	1
21	103-0862	Screw, 5/8-18x2 3/4 Gr 8	3
22	323-11	Screw, 3/8-16 x 2 1/4	2
23	1-303537	Stud, Belt Shield	2
24	3256-3	Washer 5/16 Std Flat	4
25	1-323417	Washer, Rubber.....	2
26	103-3330	Spring, Extension.....	1
27	103-0865	Washer, Spring Disk	3
28	103-5677	Spacer	1
29✖	103-5693	Kit, Idler Arm (103-6528-01) W/Bearings	1
30	106-7159	O-ring.....	2
31	302-40	Zerk, 1/4-20 90°	1
32	3256-4	Washer, 3/8 Std Flat	2
33	3296-39	Nut, 3/8-16 Nyloc	19
34	103-3504	Bearing, Spherical.....	2
35	1-633109	Idler Pulley 6.00 Dia Flat	2
36	3234-11	Bolt, 3/8-16 x 1 Whizlock.....	1
37	1-633456	Bushing, Idler.....	2

Item	Part No.	Description	Qty.
38	3217-11	Nut, 5/8-11 Hex.....	2
39	32128-37	Nut, 7/16-14 Whizlock.....	16
40	1-603805	Idler Pulley 5.06 O.D V	1
41	1-633366	Belt, Blade Drive 52" Deck.....	1
42	1-633447	Chain	4
43	103-1898	Screw, 7/16-14 x 1 5/8 Sp.....	8
44	103-3505	Seal, Double Lip	1
45*	103-8075	Cutter Housing Complete.....	3
46+	103-3182	Sheave, Jackshaft	1
47	103-2535	Spacer, Guard Bottom	4
48	323-6	Screw, 3/8-16 x 1	4
49	103-1072-01	Strut Wldmt, Deck.....	2
50+	103-2785	Spindle	3
51	1-633029	Spherical Rod End.....	2
52	327-11	Screw, 5/8-11 x 5.....	2
53	3253-8	Lockwasher, 5/8 Reg.Spring.....	2
54	302-19	Zerk, 1/4-28 Straight	4
55	1-632199-01	Pin Wldmt, Deck Strut.....	2
56	3219-6	Nut, 5/8-18 Hex.....	3
57●	3217-46	Nut, HH 3/4-16 Heavy.....	3
58	103-2982	Key, 1/4 x 3/16 x 3/4	3
59+	1-643393	Jackshaft	1
60	103-1081	Asm, Strut Long.....	2
61+	103-1330	Guard, Bearing Top	3
62	323-7	Screw, Hex Cap 3/8 x 1 1/4	18
63+	103-2544	Asm, Jackshaft Housing W/Brgs.....	1
64	103-2802	Washer, Spring Disk 3/4	3
65	103-6584	Blade, Notched.	3
	103-6580	Blade, Low Lift	3
◆	103-6582	Blade, Mulching.....	3
	103-1578	Blade, Solid	3
	103-6337	Blade, Extreme	3
66	103-3248	Asm, Jackshaft 52	1
67▲	103-3257	Asm, Deck Complete	1
68	103-2916	Guard, Top	1
69	98-5961	Screw, 3/8-16 x 4 Gr 8.....	1
70	103-3506	Seal, Single Lip.....	1
71	32120-10	Ring, Retaining	2

Exmark red touch up spray paint - P/N 1-850337.

- ◆ Requires installation of Micro-Mulch accessory for proper mulching. Mulch kit P/N MK524.
- ★ Kit 103-4051 includes antiscalp roller, spacer, & mounting hardware.
- + Apply Mobil HTS grease (P/N 103-5217 1.5 oz packet) (or a food-grade antisieze) between the jackshaft and bearings, jackshaft and sheaves, spindles and bearings, spindles and sheaves, and under top bearing guard. DO NOT use a copper or nickel based antisieze.
- ▲ Complete deck assembly excludes items #39, #42, #43, and #60 and includes mule drive belt from page 14.
- * Complete cutter housing assembly also includes items #27 & #21.
- ✖ Kit also includes items #13 & #33.
- Use Pro-Lock, Nut Type (P/N 1-840022, .5ml tube) on nut, Item #57.

52" DECK GROUP



60" DECK GROUP

Item	Part No.	Description	Qty.
1	103-3184	Asm, Deck (103-3029-01) W/Decals	1
2●	3217-46	Nut, Hex 3/4-16 Heavy	3
3	3256-24	Washer, 3/8 SAE	3
4	1-513208	Washer, Spring Disk	1
5	1-303334	Washer, 5/16 Spring Disk	1
6	32128-20	Nut, 5/16-18 Whizlock	8
7	1-602913-01	Baffle Wldmt, Discharge	1
8	322-2	Screw, 5/16-18 x 5/8	5
9★	1-603299	Roller, Antiscalp	6
10	3290-357	Nut, 3/8-16 Whizlock	14
11	1-373034	Washer, Pivot	8
12	99-2842	Spacer	6
13	98-5975	Washer, 3/8 Spring Disk	13
14+	103-2544	Asm, Jackshaft Housing W/Brgs	1
15	103-5830-01	Chute, Discharge 60"	1
16	322-5	Screw, 5/16-18 x 1	4
17	3296-29	Nut, 5/16-18 Nyloc	4
18	1-633084-01	Shield, Belt 60"	2
19	1-323385	Knob, Belt Shield	6
20	1-322110	Belt Guide Wldmt	1
21	103-0862	Screw, 5/8-18 x 2 3/4 Gr 8	3
22	323-11	Screw, 3/8-16 x 2 1/4	2
23	1-303537	Stud, Belt Shield	2
24	3256-3	Washer 5/16 Std Flat	6
25	1-323417	Washer, Rubber	2
26	103-3330	Spring, Extension	1
27	322-6	Screw, 5/16-18 x 1 1/4	1
28	103-5677	Spacer	1
29✱	103-5693	Kit, Idler Arm (103-6528-01) W/Bearings	1
30	106-7159	O-ring	2
31	302-40	Zerk, 1/4-20 90°	1
32	3256-4	Washer, 3/8 Std Flat	2
33	3296-39	Nut, 3/8-16 Nyloc	19
34	103-3504	Bearing, Spherical	2
35	1-633109	Idler Pulley 6.00 Dia Flat	2
36	3234-11	Bolt, 3/8-16 x 1 Whizlock	1
37	1-633456	Bushing, Idler	2
38	323-8	Screw, 3/8-16 x 1 1/2	18

Item	Part No.	Description	Qty.
39	32128-37	Nut, 7/16-14 Whizlock	16
40	1-603805	Idler Pulley 5.06 O.D. V	1
41	1-633127	Belt, Blade Drive 60" Deck	1
42	1-633447	Chain	4
43	103-1898	Screw, 7/16-14 x 1 5/8 Sp	8
44■	103-3505	Seal, Double Lip	1
45	3217-11	Nut, 5/8-11 Hex	2
46	103-2802	Washer, Spring Disk	3
47*	103-8075	Cutter Housing Complete	3
48	323-6	Screw, 3/8-16 x 1	4
49	103-1072-01	Strut Wldmt, Deck	2
50+	103-2794	Sheave, Blade Drive	3
51	1-633029	Spherical Rod End	2
52	327-11	Screw, 5/8-11 x 5	2
53	3253-8	Lockwasher, 5/8 Reg. Spring	2
54	302-19	Zerk, 1/4-28 Straight	4
55	1-632199-01	Pin Wldmt, Deck Strut	2
56	3219-6	Nut, 5/8-18 Hex	3
57+	103-2785	Spindle	3
58+	103-3046	Sheave, Jackshaft Double	1
59	103-2982	Key, 1/4 x 3/16 x 3/4	3
60+	1-643393	Jackshaft	1
61+	103-1330	Guard, Bearing Top	3
62+	103-8280	Housing W/Bearings	3
63	103-0865	Washer, Spring Disk 5/8	3
64	103-2535	Spacer, Guard Bottom	4
65	103-2530	Blade, Notched	3
	103-2510	Blade, Low Lift	3
◆	103-0301	Blade, Mulching	3
	103-1580	Blade, Solid	3
	103-6338	Blade, Extreme	3
66	103-1081	Asm, Strut Long	2
67	103-3249	Jackshaft Assy	1
68▲	103-3258	Complete Deck Assy	1
69	103-2916	Guard, Top	1
70	98-5961	Screw, 3/8-16 x 4 Gr 8	1
71	103-3506	Seal, Single Lip	1
72	32120-10	Ring, Retaining	2

Exmark red touch up spray paint - P/N 1-850337.

- ◆ Requires installation of Micro-Mulch accessory for proper mulching. Mulch kit P/N MK604.
- ★ Kit 103-4051 includes antiscalp roller, spacer, & mounting hardware.
- + Apply Mobil HTS grease (P/N 103-5217 1.5 oz packet) (or a food-grade antisieze) between the jackshaft and bearings, jackshaft and sheaves, spindles and bearings, spindles and sheaves, and under top bearing guard. DO NOT use a copper or nickel based antisieze.
- ▲ Complete deck assembly excludes items #39, #42, #43, and #66 and includes mule drive belt from page 14.
- * Complete cutter housing assembly also includes items #63 & #21.
- ✱ Kit also includes items #13 & #33.
- Use Pro-Lock, Nut Type (P/N 1-840022, .5ml tube) on nut, Item #2.

FRONT FRAME GROUP

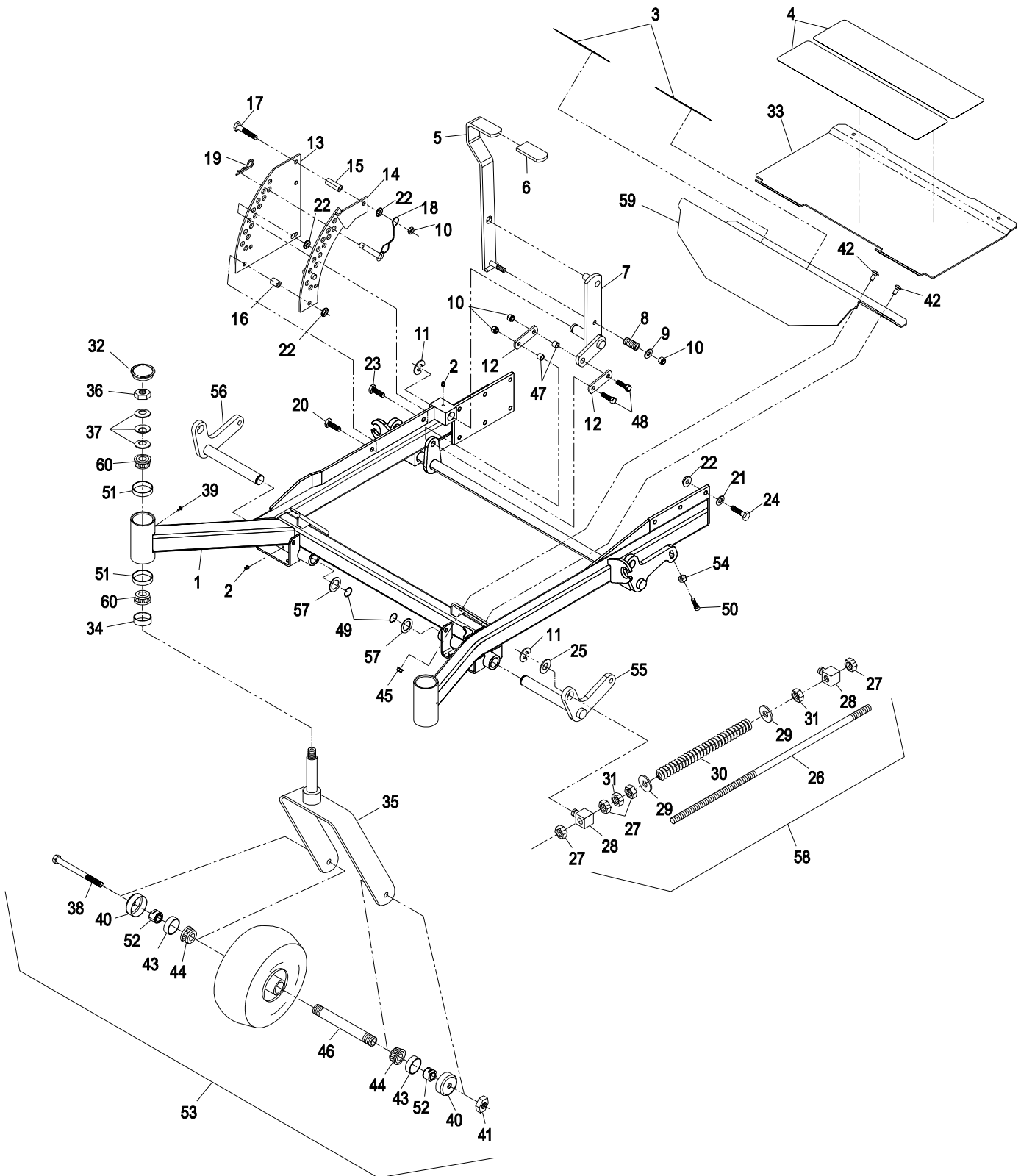
Item	Part No.	Description	Qty.
1▲	103-5473	Asm, Front Frame, 52"	1
▲	103-5474	Asm, Front Frame, 60"	1
2	302-19	Zerk, 1/4-28 Straight	5
3	106-6572	Pad, Antiskid	2
4	1-633553	Pad, Anti Skid	2
5	103-2084	Asm, Lever(103-2083-03)W/Grip	1
6	1-633295	Grip, Lift Lever	1
7	103-2064-03	Arm Wldmt, Deck Lift	1
8	1-633325	Spring, Compression.....	1
9	3256-24	Washer, 3/8 SAE Flat.....	1
10	3296-39	Nut, Nyloc 3/8-16	4
11	32151-103	E-Ring.....	5
12	1-633068	Arm, Deck Lift	2
13	1-633889-01	Plate, Deck Lift.....	1
14	103-5350-01	Plate Wldmt, Deck Lift.....	1
15	1-633082	Bushing, Lift Lever	1
16	1-633080	Bushing, Lift Lever	1
17	323-13	Screw, 3/8-16 x 2 3/4	1
18	1-633097	Hitch Pin W/Lanyard	1
19	1-806005	Hairpin Cotter.....	1
20	323-9	Screw, 3/8-16 x 1 3/4	1
21	98-5975	Washer, 3/8 Disc Spring.....	12
22	3290-357	Nut, Whizlock 3/8-16.....	15
23	323-6	Screw, 3/8-16 x 1	1
24	323-7	Screw, 3/8-16x1 1/4	12
25	3256-29	Washer, 7/8 SAE Flat.....	4
26	1-633096	Rod, Deck Lift	2
27	3217-11	Nut, 5/8-11 Regular.....	8
28	1-633441	Swivel, Deck Mount.....	4
29	3256-7	Washer, 5/8 Std Flat	4
30	1-633064	Spring, Deck Support.....	2
31	3218-6	Jam Nut, 5/8-11	4
32	103-4882	Cap, Grease	2

Item	Part No.	Description	Qty.
33	103-3528	Asm, Floorpan (103-3241-01) W/Pads & Decals	1
34	1-543511	Seal, Grease.....	2
35	1-632511-01	Caster Wldmt.....	2
36	3296-51	Nut, 3/4-10 Nyloc	2
37	1-633508	Washer, Spring Disk	6
38	325-36	Screw, 1/2-13 x 7 1/2.....	2
39	1-811010	Plug	2
40	103-2768	Guard, Seal	4
41	3296-23	Nut, 1/2-13 Nyloc	2
42	3230-1	Bolt, Carriage 5/16-18 x 3/4	4
43	103-0063	Seal, Bearing	4
44	1-633585	Bearing Cone.....	4
45	32128-20	Nut, Whizlock 5/16-18.....	4
46	103-3155	Axle, Caster	2
47	103-1918	Bushing	2
48	323-29	Screw, 3/8-16 x 1 3/8.....	2
49	32151-29	Ring, Retaining	2
50	3274-18	Screw, Socket HD5/16-18x1 1/4	2
51	1-543508	Bearing Cup, Tapered Roller	4
52+	103-3051	Spacer, Nut.....	4
53	103-5189	Asm, Caster Wheel (Pneumatic).....	2
	1-633002	Tire, 13 x 5.0-6 4 Ply (Pneumatic).....	2
	103-3785	Asm, Caster Wheel (Semi-Pneumatic)...	2
54	3218-2	Jam Nut, 5/16-18	2
55	103-1955-01	Weldmt, Front Lift Shaft (LH)	1
56	103-5340-01	Weldmt, Front Lift Shaft (RH).....	1
57	1-523157	Washer, Spacer.....	2
58	1-634439	Asm, Deck Lift Spring	2
59	103-3527	Asm, Floorpan (103-3242-01) W/Pads & Decals	1
60	1-543509	Bearing Cone, Tapered Roller	4

Exmark red touch up spray paint - P/N 1-850337.

- ✚ Use Pro-Lock, Nut Type (P/N 1-840022, .5ml tube) on spacer nut, Item #52.
- ▲ Includes frame weldment plus items #32, #34, #39, #49, #51, #55, #56, and #57.

FRONT FRAME GROUP



MAINFRAME GROUP

Item	Part No.	Description	Qty.
1	1-643255	Track, Seat (4" Adjustable).....	1
2●	103-3524	Seat	1
3	1-543401	Spacer, Seat Track	2
4	322-3	Screw, 5/16-18 x 3/4	6
5	103-3521	Cushion, Seat	1
6	103-3520	Cushion, Backrest.....	1
7	103-0292	Cushion, Armrest (RH).....	1
8*	103-0291	Cushion Armrest (LH)	1
9	1-633859	Seat Frame	1
10	3256-3	Washer, 5/16 Std Flat	2
11	103-7617	Asm, Frame (103-7606-03) W/Decals	1
12	1-633007	Wheel/Tire Assy.....	2
	1-633008	Tire, 23x10.5-12 4 Ply	2
	1-633009	Wheel	2
13	103-5454	Asm, Console (103-5193-03) W/Decals .	1
14	103-4423	Asm, Seat Frame	1
15	242-50	Nut, Wheel 1/2-20	8
16	1-633293	Rod, Seat Hold-Up.....	1
17	322-5	Screw, 5/16-18 x 1	1
18	323-39	Screw, 3/8-16 x 5	2
19	3296-2	Nut, Nyloc #10-24	2
20	3296-29	Nut, Nyloc 5/16-18	5
21	3296-39	Nut, Nyloc 3/8-16	3
22	3290-357	Nut, Whizlock 3/8-16.....	10
23	32128-20	Nut, Whizlock 5/16-18	8
24	323-20	Screw, 3/8-16 x 3-1/4	1
25	3256-24	Washer, 3/8 SAE Flat.....	1
26	103-4469	Kit, Seat Belt	1
27	107-3083	Latch, Seat.....	1
28	322-4	Screw, 5/16-18 x 7/8	2
29	1-513658	Bumper	2

Item	Part No.	Description	Qty.
30	3256-23	Washer, 5/16 SAE Flat	10
31	103-4434	Grip	1
32	323-6	Screw, 3/8-16 x 1	2
33	1-633964-03	Stop, Park Brake.....	1
34	1-633696	Cable, throttle	1
35	103-0284	Tab, Armrest Adjustment	2
36	322-7	Screw, 5/16-18 x 1 1/2.....	2
37	1-633349	Spring, Compression	2
38	3212-4	Screw, 7/16-20 x 1.00.....	2
39	3296-38	Nut, Nyloc 7/16-20	2
40	1-513592	Ball, Red (Throttle).....	1
41	107-0075	Bushing	1
42	107-0076	Spring	1
43	107-3058	Catch, Seat Latch	1
44	1-603336	Cable, Choke.....	1
45	107-3155	Cotter, Hair Pin Double Loop	2
46	32128-23	Nut, Hex Flange Side Lock 1/2-13	2
47	106-0887	Knob.....	2
48	107-3124	Clip	2
49■	103-4553	Asm, ROPS Fold Pin	2
50	323-6	Screw, Hex Cap 3/8 x 1	8
51	107-3154	Nut, Push 3/8-16.....	2
52	98-5975	Washer, Spring Disk 3/8	8
53	321-6	Screw, 1/4-20 x 1	1
54	1-303335	Plastic Tie (Large).....	1
55	325-13	Screw, 1/2-13 x 3 1/4.....	2
56	1-807513	Screw, #10-24 x 1/2.....	2
57	32128-33	Nut, Whizlock 1/4-20.....	1
58	1-513762	Clip, Loom	1
59	103-8383	Bolt, Seat Cushion	5
60◆	103-8436	Kit, ROPS LZ	1

Exmark black touch up spray paint - gloss black.

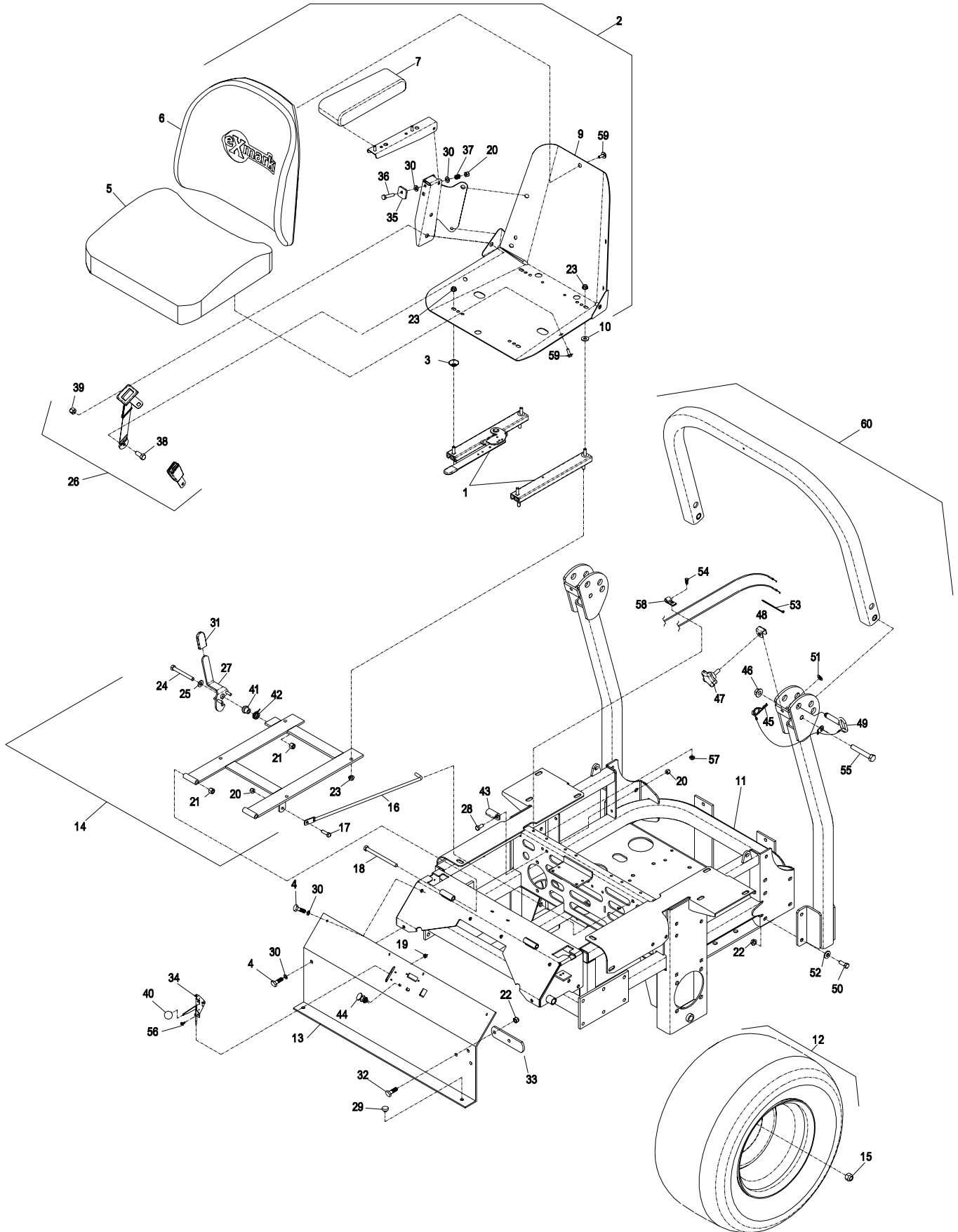
● Includes armrests, armrest adjuster hardware and seat back decal. Does not include seat belt or tracks.

* Not illustrated.

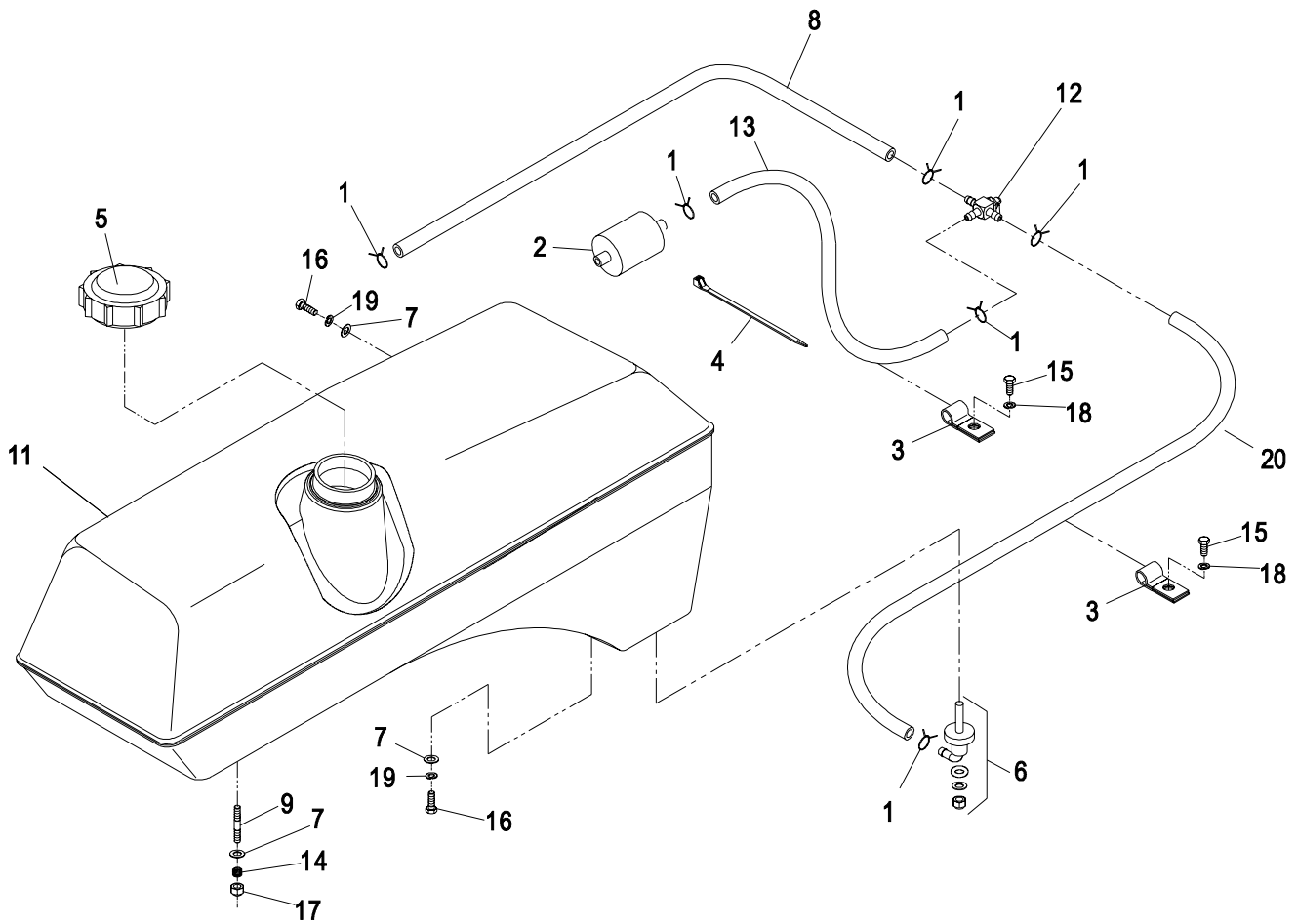
■ Includes ROPS fold pin plus hairpin, item #45.

◆ Rollover protection frame is serviced as a complete assembly only. Includes complete ROPS frame, mounting hardware, fold pivot and locking hardware, seat frame assembly item #14, catch item #43, and seat belt assembly item #26.

MAINFRAME GROUP



KOHLER FUEL GROUP

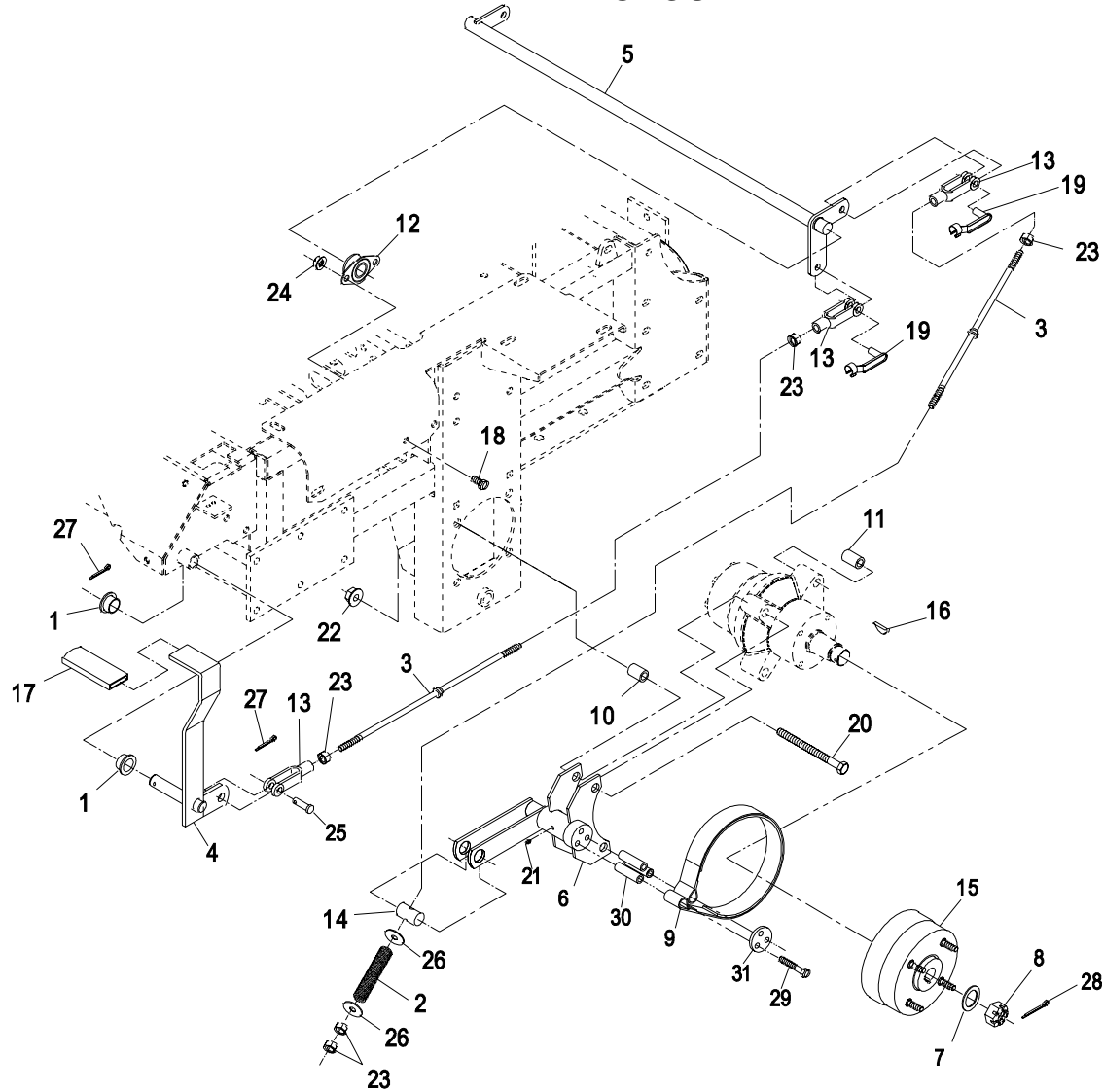


Item	Part No.	Description	Qty.
1	1-303077	Clamp, Fuel Line.....	6
2+	Kohler	Part No. 2405002 Fuel Filter	1
3	1-513762	Clip, Loom.....	2
4	1-303335	Plastic Tie (Large).....	1
5	103-3536	Cap, Fuel Tank	2
6●	103-2605	Fitting, Fuel Bikhd W/Screen	2
	103-2784	O-Ring	2
7	3256-23	Washer, 5/16 SAE.....	10
8	1-543456	Fuel Line	1
9◆	1-633023	Stud, Fuel Tank.....	6
10□*	103-2132	Asm, Tank Fuel (LH).....	1

Item	Part No.	Description	Qty.
11*	103-2133	Asm, Tank Fuel (RH)	1
12	1-633347	Valve, Fuel.....	1
13	1-633348	Fuel Line.....	1
14	1-633349	Spring, Fuel Tank	6
15	321-3	Screw, 1/4-20 x 5/8.....	2
16	322-3	Screw, 5/16-18 x 3/4	4
17	3296-47	Nut, Thin Nyloc 5/16-18	6
18	1-805004	Washer, Lock 1/4.....	1
19	1-805005	Washer, Lock 5/16.....	4
20	103-2885	Fuel Line.....	1

- ✚ Refer to Engine Owner's Manual (Fuel Filter **Must** be 15 Micron or smaller).
- Use Pro-lock, Nut type (Part No. 1-840022), .5ml tube on fuel fitting threads.
- ◆ Use Pro-lock, Retaining Type (Part No. 1-840023), .5cc tube on stud threads going into the tank.
- * Includes tank, cap, fitting & studs.
- Not illustrated.

PARK BRAKE GROUP



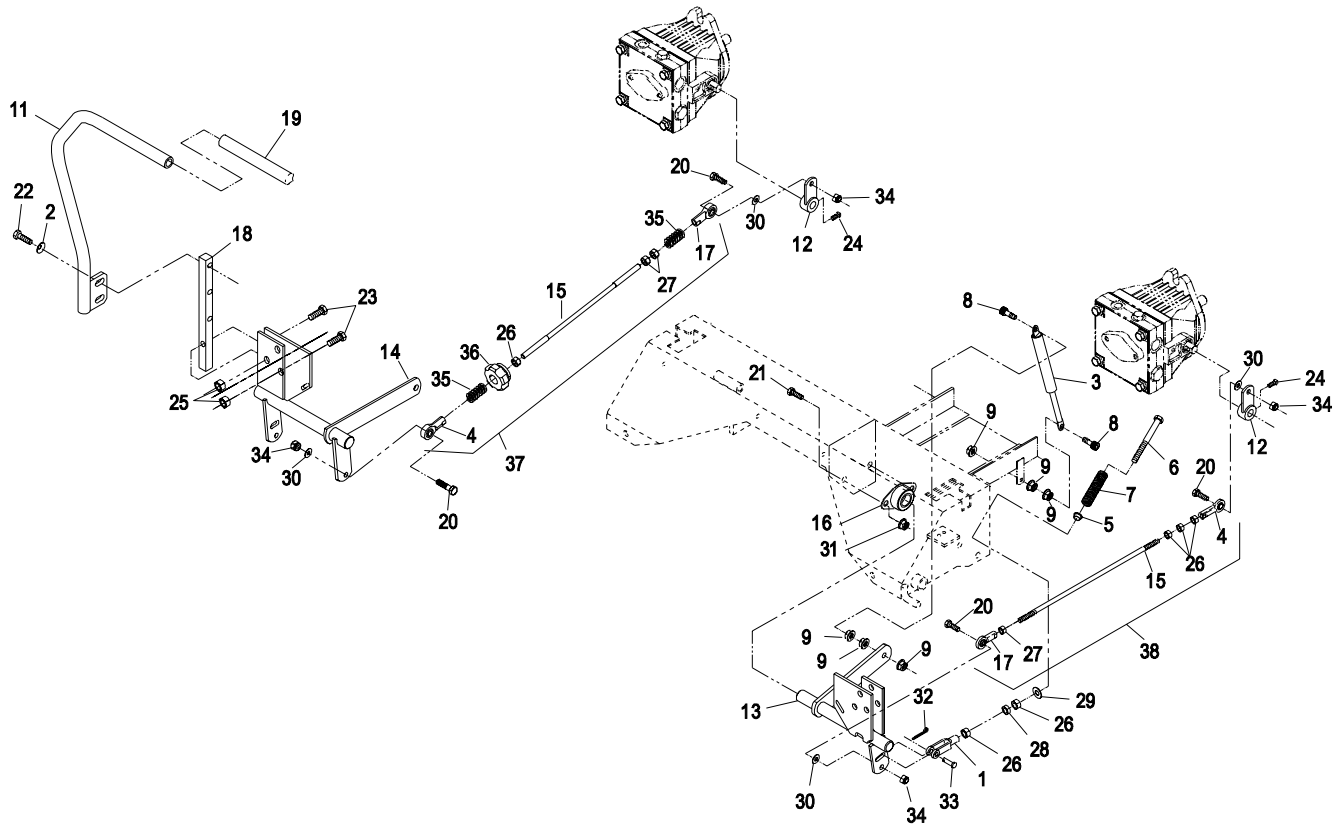
Item	Part No.	Description	Qty.
1	1-513140	Bushing.....	2
2	1-633454	Spring, Brake Rod.....	2
3	1-633477	Rod, Brake.....	3
4	1-634500	Lever (1-632489-03)W/Grip	1
5	1-632217-03	Shaft, Brake.....	1
6	103-0352-03	Bracket, Brake (52").....	2
*	103-0354-03	Bracket, Brake (60").....	2
7	1-523157	Washer, Spacer	2
8	1-809036	Nut, Slotted 1.00-20	2
9	103-0355	Band, Brake.....	2
10	1-633380	Spacer (Short)(52")	4
*	1-633060	Spacer (Short) (60").....	4
11	1-633382	Spacer (Long)(52").....	4
*	1-633062	Spacer (Long)(60").....	4
12	1-633102	Bearing, Flange.....	2
13	1-633131	Yoke	4
14	1-633144	Pin, Trunion	2
15	103-0590	Hub & Drum W/Studs, Wheel.....	2
*	1-633926	Studs, Wheel	8

Item	Part No.	Description	Qty.
16	3257-42	Key, Woodruff 5/16 x 1	2
17	1-633268	Grip, Brake Lever.....	1
18	323-4	Screw, 3/8-16 x 3/4.....	4
19	103-2399	Pin, Clevis Spring 3/8.....	3
20	325-17	Screw, 1/2-13 x 4 (52")	8
*	325-20	Screw, 1/2-13 x 6 (60")	8
21	1-603991	Zerk, 1/4-28 Straight (52").....	2
*	302-19	Zerk, 1/4-28 90° (60").....	2
22	32128-49	Nut, Whizlock 1/2-13 UNC-2B.....	8
23	3219-3	Nut, 3/8-24.....	8
24	3290-357	Nut, Whizlock 3/8-16.....	4
25	1-808285	Pin, Clevis 3/8 x 1 1/4.....	1
26	3256-4	Washer, 3/8 Std.....	4
27	3272-10	Pin, Cotter 1/8 x 3/4.....	2
28	1-806800	Pin, Cotter 9/64 x 1 1/2	2
29	322-9	Screw, 5/16-18 x 1 3/4.....	6
30	103-0384	Spacer	6
31	103-0374	Retainer, Brake Band.....	2

Exmark black touch up spray paint - gloss black.

* Not Illustrated.

MOTION CONTROL GROUP



Item	Part No.	Description	Qty.
1	1-303105	Yoke	2
2	98-5975	Washer, Disc Spring 3/8.....	4
3	103-4079	Damper.....	2
4	1-543017	Ball Joint (RH).....	2
5	1-603735	Bushing, Nylon (Reverse Ind).....	2
6	1-603737	Bolt, (Neutral Return)	2
7	1-603807	Spring, (Neutral Return)	2
8	1-403180	Screw, 5/16-18x1 3/8 Sp.....	4
9	32128-20	Nut, Whizlock 5/16-18	12
10*	103-3457	Handle (103-3326-03) W/Grip (LH)	1
11	103-3458	Handle (103-3327-03) W/Grip (RH).....	1
12	1-632208	Arm, Pump Control.....	2
13	103-4781	Bracket, Motion Control (LH).....	1
14	103-4782	Bracket, Motion Control (RH)	1
15	103-3064	Link, Tracking Rod	2
16	1-633102	Bearing, Flanged.....	4
17	1-633152	Ball Joint (LH)	2
18	103-0407	Arm, Control Shaft.....	2
19	103-3456	Grip, Motion Control Handle.....	2

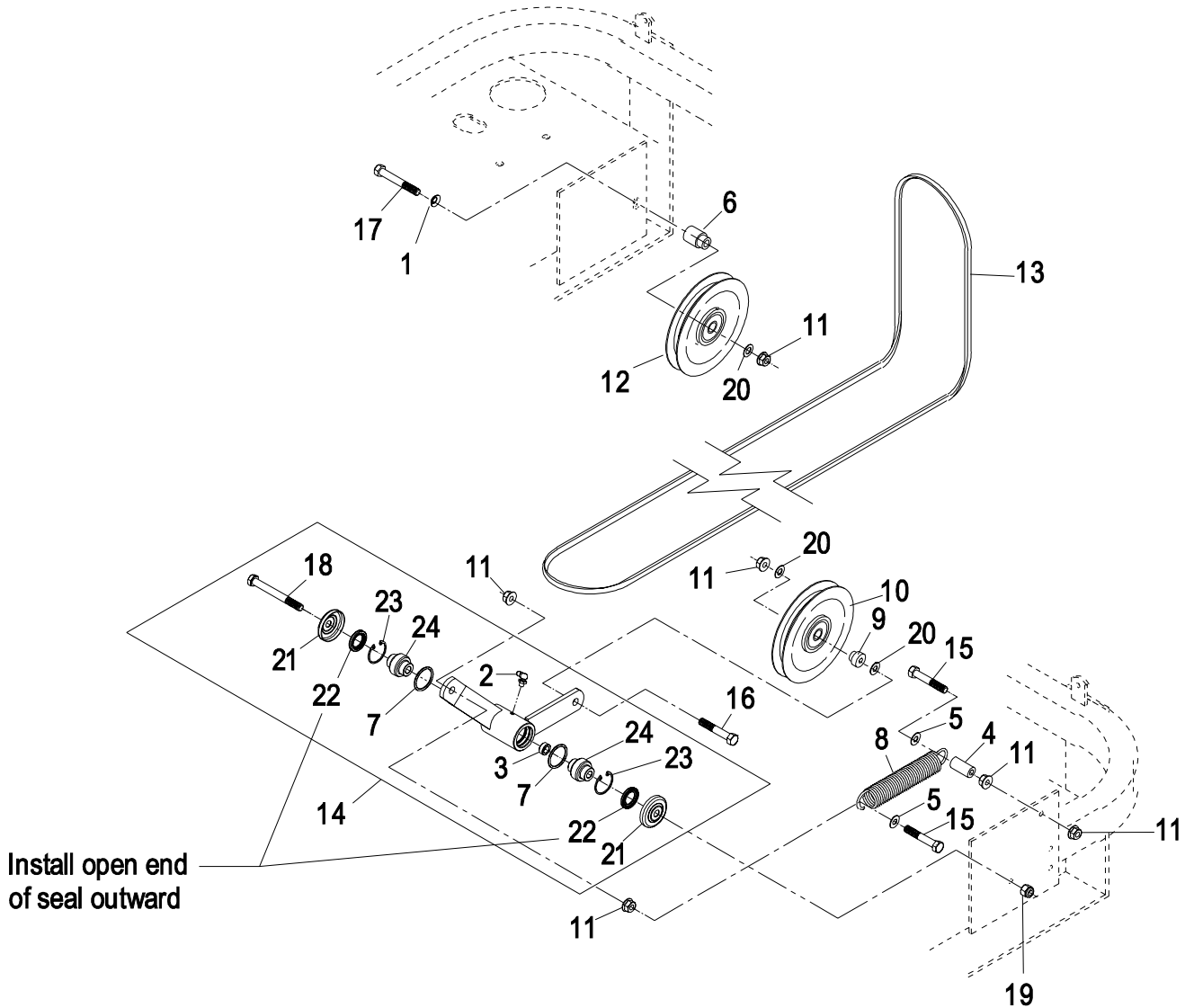
Item	Part No.	Description	Qty.
20	322-6	Screw, 5/16-18 x 1 1/4	4
21	323-4	Screw, 3/8-16 x 3/4.....	8
22	323-7	Screw, 3/8-16 x 1 1/4	4
23	323-9	Screw, 3/8-16 x 1 3/4	6
24+	1-803022	Set Screw, 5/16 x 5/8.....	2
25	3296-39	Nut, Nyloc 3/8-16.....	6
26	3219-2	Nut, 5/16-24.....	8
27	1-804524	Nut, 5/16-24 (LH)	3
28	3220-2	Nut, Jam 5/16-24	2
29	3256-2	Washer, 1/4	2
30	3256-3	Washer, 5/16 Std.....	4
31	3290-357	Nut, Whizlock 3/8-16.....	8
32	3272-5	Pin, Cotter 3/32 x 1/2	2
33	1-808280	Pin, Clevis 5/16 x 1	2
34	3296-29	Nut, Nyloc 5/16-18.....	4
35	1-323245	Spring, Compression	2
36	103-3060	Knob, Tracking.....	1
37	103-4330	Asm, Tracking Rod	1
38	103-4331	Asm, Tracking Rod	1

Exmark black touch up spray paint - gloss black.

* Not Illustrated.

+ Use Pro-lock, Nut type (Part No. 1-840022), .5ml tube on setscrews.

ENGINE DECK GROUP



Item	Part No.	Description	Qty.
1	98-5975	Washer, Spring Disc 3/8.....	1
2	302-40	Zerk, 1/4-20 (90°).....	1
3	103-5677	Spacer	1
4	1-603401	Spacer, Spring	1
5	3256-4	Washer, 3/8 Std	2
6	103-2627	Bushing, Idler	1
7	106-7159	O-ring.....	2
8	1-603402	Spring, Mule Idler.....	1
9	1-603496	Bushing, Idler	1
10	1-603805	Pulley, Idler	1
11	3290-357	Nut, Whizlock 3/8-16.....	6
12	1-633166	Pulley, Idler	1
13	103-4014	Belt, Mule Drive.....	1

Item	Part No.	Description	Qty.
14*	103-5695	Kit, Idler Arm (103-4593-03) W/Bearings.....	1
15	323-11	Screw, 3/8-16 x 2 1/4	2
16	323-9	Screw, 3/8-16 x 1 3/4	1
17	323-13	Screw, 3/8-16 x 2 3/4	1
18	1-800805	Screw, 3/8-16 x 3 1/2 Gr8	1
19	3296-39	Nut, Nyloc 3/8	1
20	3256-24	Washer, 3/8 SAE	3
21	103-2916	Guard, Top	2
22	103-3506	Seal, Single Lip.....	2
23	32120-10	Ring, Retaining	2
24	103-3504	Bearing, Spherical	2

Exmark black touch up spray paint - gloss black.

* Kit also includes item #19.

ENGINE DECK GROUP (cont.)

Item	Part No.	Description	Qty.
1	1-643315	Baffle, Engine Cooler (25HP)	1
2	1-303335	Plastic Tie	2
3	1-523420	Bumper, Rubber.....	2
4	322-6	Screw, 5/16 x 1 1/4	1
5	1-633630	Grommet.....	2
6	1-603610	Washer, Spring Disc	2
7	1-633615-03	Guard, Rear Engine	1
8	1-633543-03	Strap, Clutch	1
9●	103-3245	Clutch Kit (23HP)	1
●	103-3246	Clutch Kit (25HP)	1
	103-3012	Kit, Brake Pole Module.....	1
10	1-633453	Spacer (23HP)	1
	1-633179	Spacer (25HP)	1
11	103-3340	Asm, Shield W/Decals.....	1
12	103-1308	Shield, Engine.....	1
13	323-9	Screw, 3/8-16 x 1 3/4	4
14	1-634796	Shield (LH) – Subassy	1
15	1-633301	Shield, Heat	2
16	321-4	Screw, 1/4-20x 3/4	1
17	1-643313-03	Shield, Muffler.....	1
18	1-644316	Shield (RH) – Subassy.....	1
19	1-523285	Clip, Shield.....	2
20	103-3535	Kit, Cable Heat Shield	1
21	322-19	Screw, 5/16-18 x 4	1
22	321-4	Screw, 1/4-20 x 3/4	10
23	1-613235	Washer	4
24	323-6	Screw, 3/8-16x1	6

Item	Part No.	Description	Qty.
25▲	3212-10	Screw, 7/16-20 x 2 1/2	1
26	1-803035	Rivet, 3/16 x 1/4.....	11
27	3296-42	Nut, Nyloc 1/4-20.....	4
28	103-7454-03	Bracket, Guard Top	2
29	3256-2	Washer, 1/4 Std.....	4
30	3256-3	Washer, 5/16 Std.....	1
31	32128-20	Nut, Whizlock 5/16-18.....	2
32	3290-357	Nut, Whizlock 3/8-16.....	14
33	32128-33	Nut, Whizlock 1/4-20.....	9
34	1-633396	Clip, Loom .56	1
35○	1-809108	Screw, Self Tapping 5/16-18x1.75	2
□	1-809076	Screw, M6-1.0 x 45mm	2
36	1-303428	Elbow, 3/8 NPT.....	1
37	1-323236	Spacer	2
38	1-633545	Spacer, Grommet	2
39	1-633988	Spacer, Clutch Anchor	1
40■	103-3247	Kit, Clutch Jumper Harness	1
41	3256-63	Washer, 3/16 Std.....	6
42+	1-543232	Nipple, Pipe 3/8 NPT	1
43✱	103-7480	Kit, Muffler Kohler	1
44▽	9266934	Screw, 5/16-18x.5.....	2
45▽	324-2	Screw, 7/16-14x.75 G5	2
46▽	3253-6	Washer, Lock 7/16.....	2
47	33014-00	Nut, Hex M8 1.25.....	4
48	1-805005	Washer, Lock 5/16 Hvy	4
49	98-5975	Washer, Spring Disc 3/8	4
50	1-653291	Gasket	2

Exmark black touch up spray paint - gloss black.

✱ Use a Teflon Pipe Sealant or equivalent on threads.

▲ Use Pro-Lock, Nut Type (P/N 1-840022, .5ml tube) on clutch bolt.

✱ Includes items #20, & #50.

● Includes clutch and jumper harness kit item #40.

■ Includes jumper harness, clip and 2 plastic ties item #2.

○ If you engine has the mounting bracket welded to the muffler as shown use this screw.

□ If you engine has an "L" mounting bracket bolted to the bottom of the muffler use this screw.

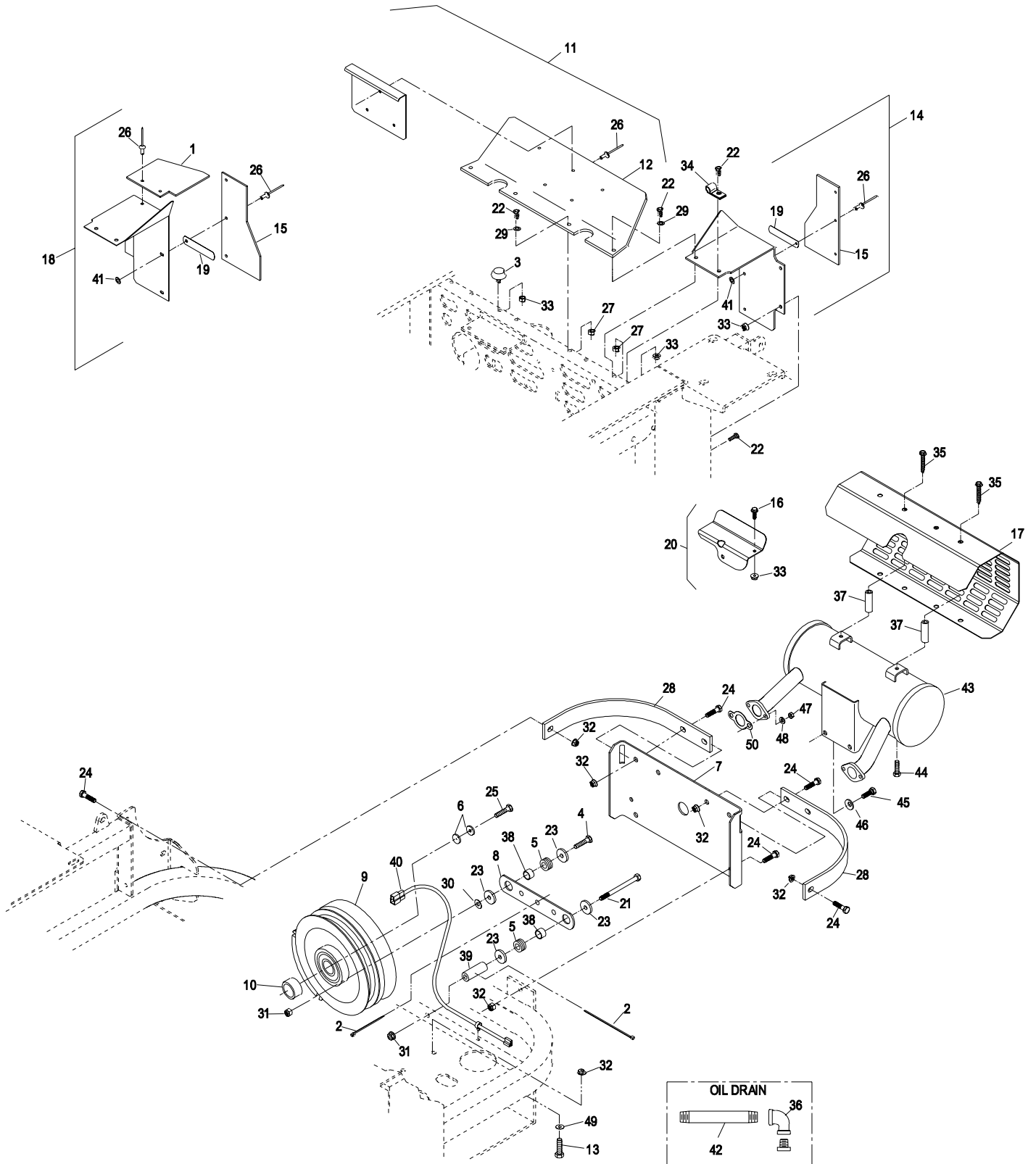
▽ If you engine has the mounting bracket welded to the muffler as shown use hardware shown. If you engine has an "L" mounting bracket bolted to the bottom of the muffler see a Kohler dealer for mounting bracket hardware.

Kohler Replacement Parts List

(Refer to Engine Owner's Manual)

Description	Kohler Part
Engine Oil Filter	5205002-S
Engine Air Cleaner Element	2408303-S
Engine Air Precleaner.....	2508305-S

ENGINE DECK GROUP (cont.)



HYDRAULIC GROUP

Item	Part No.	Description	Qty.
1	103-1947	Asm, Reservoir W/Decal	1
2	103-1948	Cap, Hydraulic Reservoir	1
3	103-1949	Gasket, Reservoir Cap	1
4	104-7836	Head, Filter	1
5	1-513211	Element, Hydraulic Oil Filter	1
▲	1-523541	Element, Hydraulic Filter (Winter)	1
6	103-1988	Clamp, Hose (11/16)	4
7	103-1716	Clamp, Hose (17/32)	3
8	103-1826	Asm, Hose Hydraulic	1
9	103-1827	Asm, Hose Hydraulic	1
10	103-1808	Hose, Hydraulic	1
11	103-1806	Asm, Case Drain Hose	1
12	103-1807	Elbow, 45°	1
	1-603921	Boss O-Ring	1
13	103-1828	Adapter, Run Tee	1
	1-603921	Boss O-Ring	1
14	103-1801	Adapter, Straight	1
	1-603921	Boss O-Ring	1
15	103-1912	Adapter, Straight	1
	1-603921	Boss O-Ring	1
16	103-1799	Elbow, 90°	2
	1-603921	Boss O-Ring	1
17	321-3	Screw, 1/4-20 x 5/8	2
18	1-805004	Lockwasher, 1/4	2
19	103-1802	Elbow, 90°	2
	1-603921	Boss O-Ring	1
20	103-7262	Pump, Hydraulic	2
	103-7441	Kit, Input Bearing	1
	103-8448	Kit, Thrust Bearing	1
	103-7443	Kit, Cylinder Block	1
	105-6184	Kit, Overhaul Seal	1
	103-2741	Kit, Shock Valve 10A/10L	1
21	1-603990	Connector, Straight	4
	1-603920	O-Ring (SAE #8)	1
	1-603992	O-Ring (37° Flare #8)	1
22	103-5333	Motor, Wheel Drive	2
23	103-3733	Hose, Upper LH (52)	1
	103-3734	Hose, Upper (60)	2

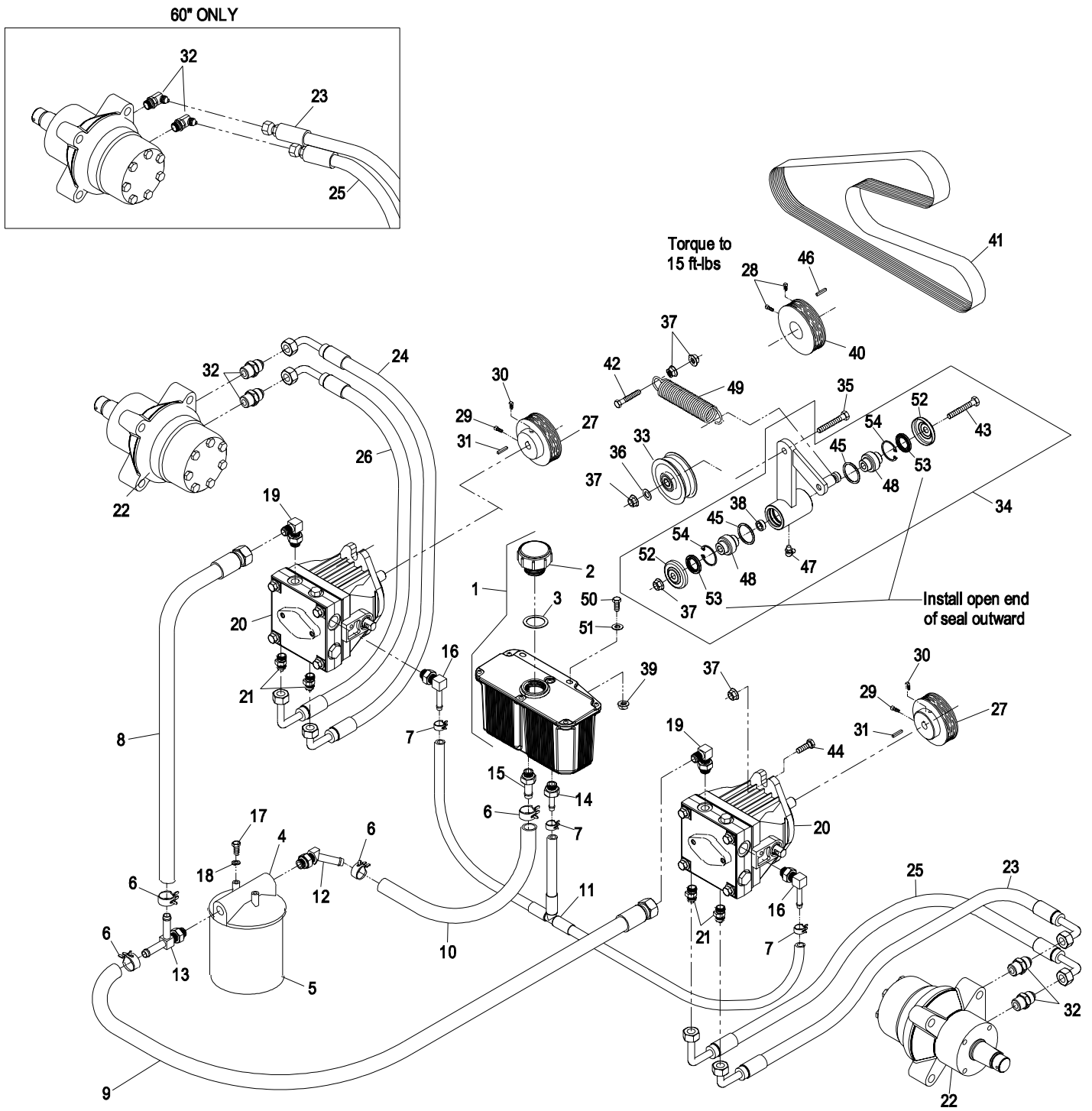
Item	Part No.	Description	Qty.
24	103-3736	Hose, Upper RH (52)	1
25	103-3735	Hose, Lower LH (52)	1
	103-1863	Hose, Lower (60)	2
26	103-3737	Hose, Lower RH (52)	1
27	103-6907	Sheave, Pump	2
28+	1-803022	Setscrew, Sq Hd 5/16-18 x 5/8	2
29+	30-1710	Setscrew, Sq Hd Cup 5/16-18 x 1	2
30+	1-803050	Setscrew, Sq Hd Cup 5/16-18 x 3/4	2
31	5-1077	Key, Machine 3/16 SQ x 1	2
32	1-603991	Adapter, Straight (52)	4
	1-603919	Boss O-Ring	1
	1-603992	Flare O-Ring	1
	1-633786	Elbow, 90° Long (60)	4
	1-603919	Boss O-Ring	1
	1-603992	Flare O-Ring	1
33	1-633167	Pulley, Idler W/Bushing	1
34*	103-5694	Kit, Idler Arm (103-4595-03) W/Bearings	1
35	323-9	Screw, HH 3/8-16 x 1 3/4	1
36	3256-3	Washer, Flat Std 5/16	1
37	3290-357	Nut, Whizlock 3/8-16	8
38	103-5677	Spacer	1
39	32128-33	Nut, Whizlock 1/4-20	2
40	1-633567	Sheave, Engine	1
41	103-6906	Belt, Pump Drive	1
42	323-8	Screw, 3/8-16 x 1 1/2	1
43	1-800805	Screw, 3/8-16 x 3 1/2 Gr8	1
44	323-7	Screw, 3/8-16 x 1 1/4	4
45	106-7159	O-ring	2
46	13-2840	Key, 1/4 x 1/4 x 1 1/4	1
47	302-40	Zerk, 90° 1/4-28	1
48	103-3504	Bearing, Spherical	2
49	103-3330	Spring, Extension	1
50	321-6	Screw, HH 1/4-20 x 1	2
51	3256-22	Washer, SAE 1/4	2
52	103-2916	Guard, Top	2
53	103-3506	Seal, Single Lip	2
54	32120-10	Ring, Retaining	2

Exmark black touch up spray paint - gloss black.

⊕ Use Pro-Lock, Nut Type (P/N 1-840022, 5 ml tube) on setscrews.

▲ Use only for operation below 32°F (0°C).

HYDRAULIC GROUP



DECAL GROUP

Item	Part No.	Description	Qty.
1	103-3996	Decal, Console.....	1
2	107-2112	Decal, Warning Slope	1
3	103-6319	Decal, Check Service.....	1
4	1-643222	Decal, Belt Routing	1
5	103-5368	Decal, Deck Height	1
6	1-643339	Decal, Pump Belt Rtg.....	1
7	103-3270	Decal, 3750 RPM.....	1
8	103-1145	Decal, Ultracut 52	1
9	1-513742	Decal, No Step.....	2
10	1-303508	Decal, Discharge Warning.....	1
11	103-0262	Decal, Fuel Valve.....	1
12	1-513748	Decal, Guard.....	1
13	98-5954	Decal, Missing Cover	2
14	103-1077	Decal, Bolt Torque	1
15	103-3997	Decal, Console.....	1

Item	Part No.	Description	Qty.
16	103-3113	Decal, Lazer Model.....	1
17	1-633313	Decal, Warning	1
18	1-643401	Decal, Mercury Switch	1
19	1-633462	Decal, Important	1
20	103-1146	Decal, Ultracut 60	1
21	103-5881	Decal, Rotating Devices.....	1
22	103-8108	Decal, Console Top	1
23	1-523552	Decal, Hyd Tank/Hot Surface.....	1
24	107-2102	Decal, Rops Folding.....	1
25	1-633922	Decal, Anti-Scalp	1
26	103-2882	Decal, Exmark Logo.....	1
27	1-403005	Decal, Danger.....	2
28	103-3999	Decal, Exmark Logo (Console)	1
	103-5472	Decal Kit	

DECAL GROUP

1

RELEASE

▲ WARNING

To avoid serious injury or death:

- Read and understand the operator's manual before using this machine.
- Do NOT operate unless trained to safely use this machine.
- Do NOT operate under the influence of alcohol or drugs.
- Do NOT operate without shields, guards, and safety devices in place and working.
- Check the function of the operator presence controls (OPC) safety system daily. Do NOT defeat the OPC system.
- Stop the engine and remove key before adjusting, servicing, or cleaning machine and attachments.
- Hearing protection is recommended.

PTO
Engage and disengage at 1/2 throttle.

IGNITION

START

OFF ON

IMPORTANT: Before starting engine, clean grass from pump drive belt compartment. Check more often in dry conditions.

103-3985

2

▲ WARNING

- Operating on wet grass or steep slopes can cause sliding and loss of control.
- Wheels dropping over edges can cause rollovers, which may result in serious injury, death or drowning.
- To avoid loss of control and possibility of rollover:
 - Do NOT operate near drop-offs or near water.
 - Do NOT operate on slopes greater than 15°.
 - Reduce speed and use extreme caution on slopes.
 - Avoid sudden turns or rapid speed changes.
- There is no roll over protection when the roll bar is down.
- Always keep roll bar in the raised and locked position and use seat belt.
- Read and follow rollover protection instructions and warnings.

Greater than 15°

103-3985

3

CHECK/SERVICE REFERENCE AID

- ① GREASE LUBE POINTS AT INTERVALS SHOWN.
- ② CHECK HYDRAULIC FLUID AT INTERVAL SHOWN. (USE ONLY MOBIL 1 10W-60 SYNTHETIC MOTOR OIL.)
- ③ SEE ENGINE OPERATOR'S MANUAL FOR SERVICING ENGINE.
- ④ CHECK TIRE PRESSURE IN PNEUMATIC TIRES - 13 PSI AT INTERVAL SHOWN. SEE OPERATOR'S MANUAL FOR ADDITIONAL DETAILS.

YEARLY (UNDER ENGINE DECK)

40 HOURS ② 40 HOURS ③

40 HOURS ① 200 HOURS ④

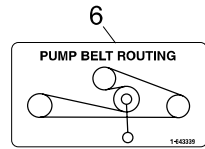
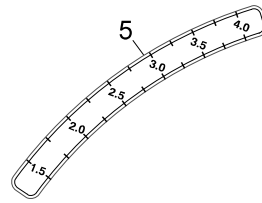
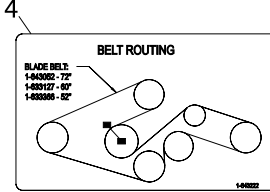
40 HOURS ① 40 HOURS ②

YEARLY ③ 40 HOURS ④

YEARLY ③ 40 HOURS ④

YEARLY ③ 40 HOURS ④

103-4010



7

Engine RPM
3750 ± 50 (no load)

103-3985

8

ULTRACUT 52™

9

NO STEP

103-3974

10

▲ WARNING

DO NOT OPERATE WITHOUT DISCHARGE DEFLECTOR, ENTIRE GRASS COLLECTION SYSTEM, OR MULCH KIT IN PLACE. DO NOT REMOVE GRASS CATCHER UNTIL BLADES HAVE STOPPED.

1-203924



12

▲ CAUTION

DO NOT OPERATE WITHOUT GUARD IN PLACE.

13

▲ DANGER

COVERS MISSING, DO NOT OPERATE UNTIL THEY ARE IN PLACE.

14

▲ CAUTION

- Loose or Damaged Blade Bolt may allow blade to come out from under deck at HIGH SPEED.
- Replace Blade Bolt after striking a foreign object.
- Torque Blade Bolt to 115-120 FT-LBS (156-163N m)

SEE OPERATOR'S MANUAL 103-1077

15

▲ DANGER

To avoid serious injury or death:

- Avoid blades unless engine and blades are stopped.

▲ WARNING

To avoid serious injury or death:

- Pick up objects that could be thrown by the blades.
- Do NOT mow when people and pets are in the area.
- Do NOT carry passengers.
- Look behind and to the side before changing directions.

Before leaving operator's position:

- Disengage PTO.
- Move drive levers out to neutral lock position.
- Engage park brake.
- Stop engine.

CUTTING HEIGHT

103-3997

16

LAZER Z

17

▲ WARNING

DISengage BLADE CLUTCH, SHUT OFF ENGINE AND REMOVE KEY BEFORE MAKING ADJUSTMENTS, SERVICING OR CLEANING DECK.

103-3985

18

DISCHARGE SWITCH PART NUMBER 103-3970. SEE OPERATOR'S MANUAL FOR DISPOSAL INSTRUCTIONS.

19

IMPORTANT:

BEFORE STARTING ENGINE, CLEAN GRASS FROM PUMP DRIVE BELT COMPARTMENT. CHECK MORE OFTEN IN DRY CONDITIONS.

103-3985

20

ULTRACUT 60™

21

▲ WARNING

ROTATING MECHANICAL DEVICES CAN CAUSE SERIOUS INJURY.

- DO NOT operate without guards in place.
- Stop engine before opening cover.

103-4108

23

REFILL OIL, USE ONLY MOBIL 1 SAE 15W-40 SYNTHETIC ENGINE OIL. FILL TO TOP OF BUZZLE.

▲ CAUTION

HOT SURFACE

103-3985

24

▲ WARNING

TO AVOID INJURY OR DEATH FROM ROLLOVERS, KEEP ROLL BAR IN THE RAISED AND LOCKED POSITION AND USE SEAT BELT.

THERE IS NO ROLL OVER PROTECTION WHEN THE ROLL BAR IS DOWN. Lower the roll bar only when absolutely necessary. Do not wear seat belt when the roll bar is down. Drive slowly and carefully. Raise the roll bar as soon as conditions permit. Read and follow safe operation instructions and warnings.

103-3985

MOTION CONTROL

▲ CAUTION

Battery is all metal, poisonous and can cause severe illness. Never attempt to open or repair switch. Avoid contact with mercury. See operator's manual for disposal guide.

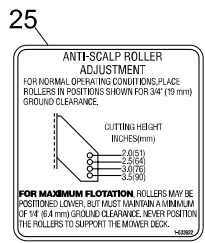
▲ WARNING

Battery contains sulfuric acid. Avoid contact and always shield eyes, face, skin and clothing from battery. Cigarettes, flames or sparks could cause battery to explode. Do not charge or use booster cables or adjust pole connections without proper training. In event of an accident flush with water and call a physician immediately. Keep out of reach of children.

DRIVE WHEEL RELEASE

One turn counter-clockwise to release. Do not over-tighten.

MOTION CONTROL



26

exmark

27

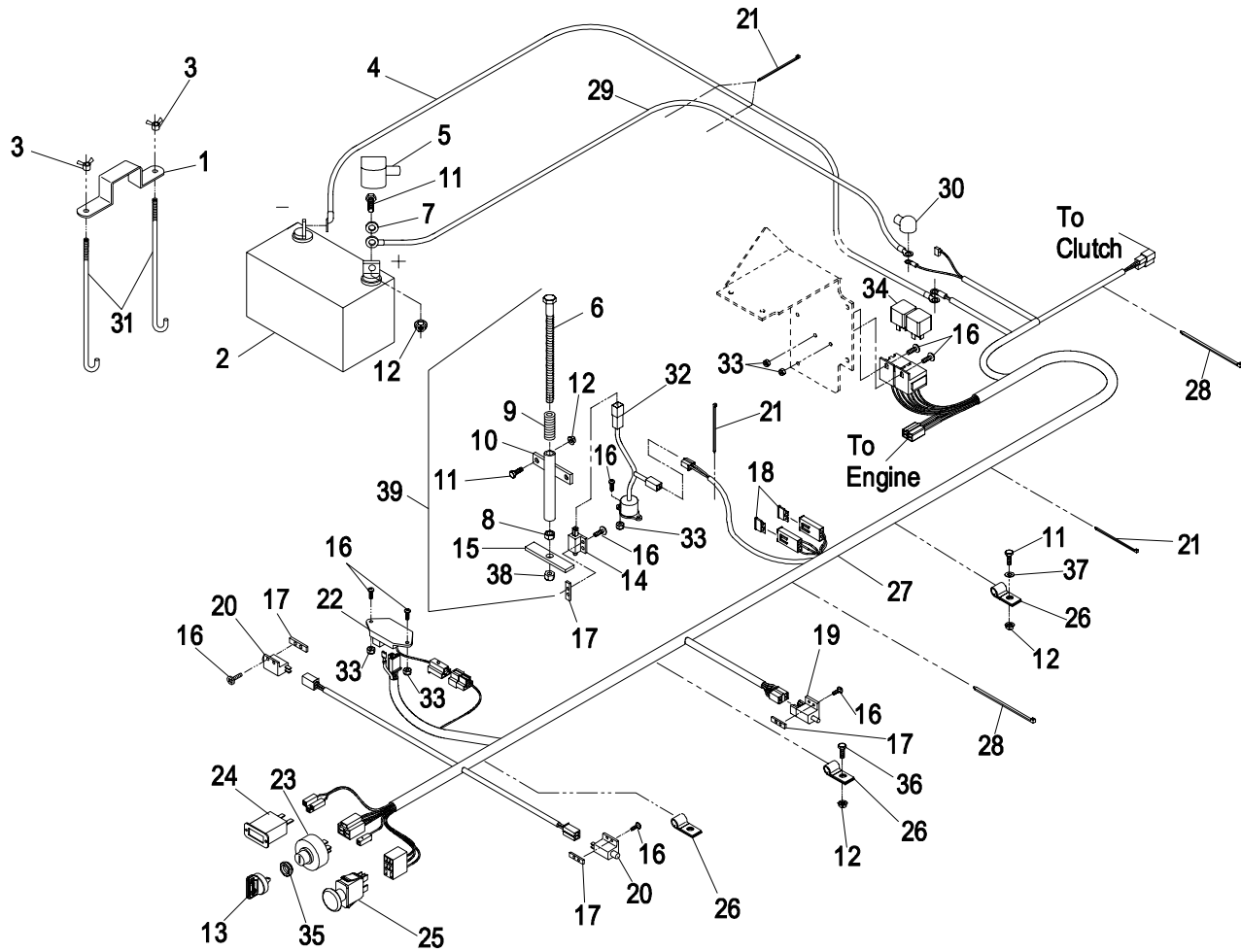
▲ DANGER

KEEP HANDS AND FEET AWAY

28

exmark

KOHLER ELECTRICAL GROUP

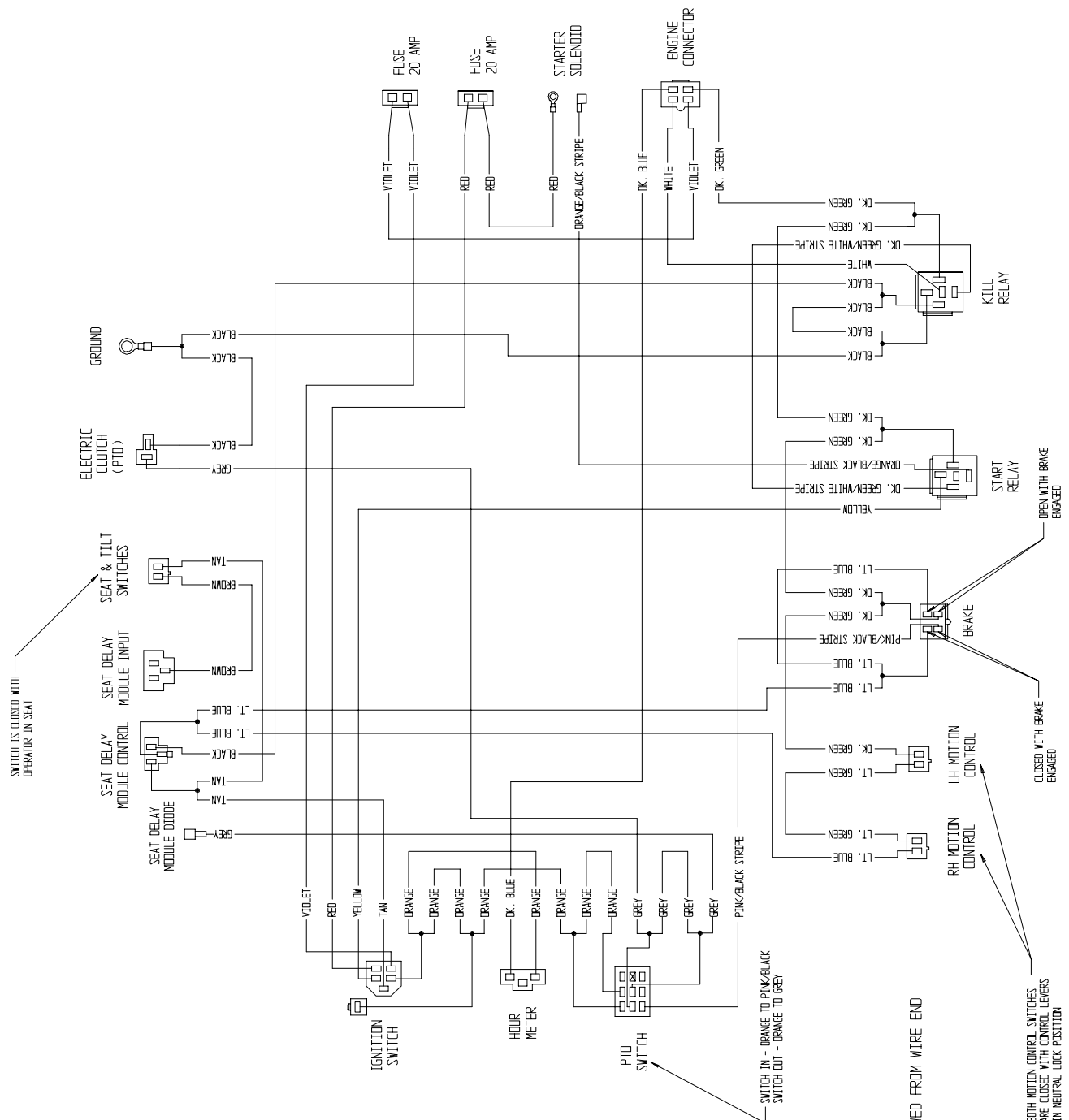


Item	Part No.	Description	Qty.
1	1-633652-03	Hold Down, Battery	1
2	103-0293	Battery-12V	1
3	1-543792	Wingnut, Nyloc.....	2
4	1-633307	Cable, Battery (-) 40".....	1
5	1-543391	Insulator, Battery	1
6	1-800282	Screw, 5/16-18 x 7	1
7	3256-2	Washer, 1/4 Flat.....	2
8	3217-6	Nut, Hex 5/16-18	1
9	1-523415	Spring, Seat Switch.....	1
10	1-522424-03	Wldmt, Spring Mount.....	1
11	321-4	Screw, 1/4-20 x 3/4	5
12	32128-33	Nut, 1/4-20 Whizlock.....	6
13	103-2106	Key, Exmark Logo.....	1
	1-603511	Key, Ignition	1
14	1-513152	Switch, Seat N.C.....	1
15	1-513180	Actuator, Seat Switch.....	1
16	3290-500	Screw, #10-24 x 5/8	14
17	1-633181	Plate, Tapped.....	4
18	1-816001	Fuse-20 Amp	2
19	1-633111	Switch, Brake N.O./N.C.....	1

Item	Part No.	Description	Qty.
20	1-513051	Switch, Drive Lever N.O.....	2
21	1-303287	Plastic Tie (Small).....	5
22	103-5218	Module, Seat Delay	1
23	103-0206	Switch, Ignition W/ Keys	1
24	1-513374	Meter, Engine Hours	1
25	103-5221	Switch, PTO.....	1
26	1-633396	Clip, Loom .69	3
27▲	103-5334	Harness, Wiring	1
28	1-303335	Plastic Tie (Large).....	2
29	1-523281	Cable, Battery (+) 30"	1
30	1-543393	Insulator, Solenoid (+).....	1
31	1-633651	Bolt, Battery Hold Down	2
32▲	1-633782	Switch, Tilt	1
33	3296-2	Nut, #10-24 Hex Nyloc.....	6
34	1-643275	Relay, 12V	2
35	103-0498	Nut, Ignition	1
36	321-2	Screw, 1/4-20 x 1/2.....	1
37	3256-22	Washer, 1/4 SAE	1
38	3296-29	Nut, 5/16-18 Nyloc.....	1
39	103-5652	Asm, Seat Switch Actuator.....	1

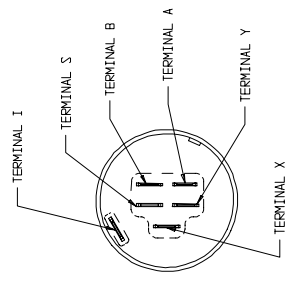
▲ Use dielectric grease on all wiring harness connectors.

KOHLER ELECTRICAL DIAGRAM



IGNITION SWITCH

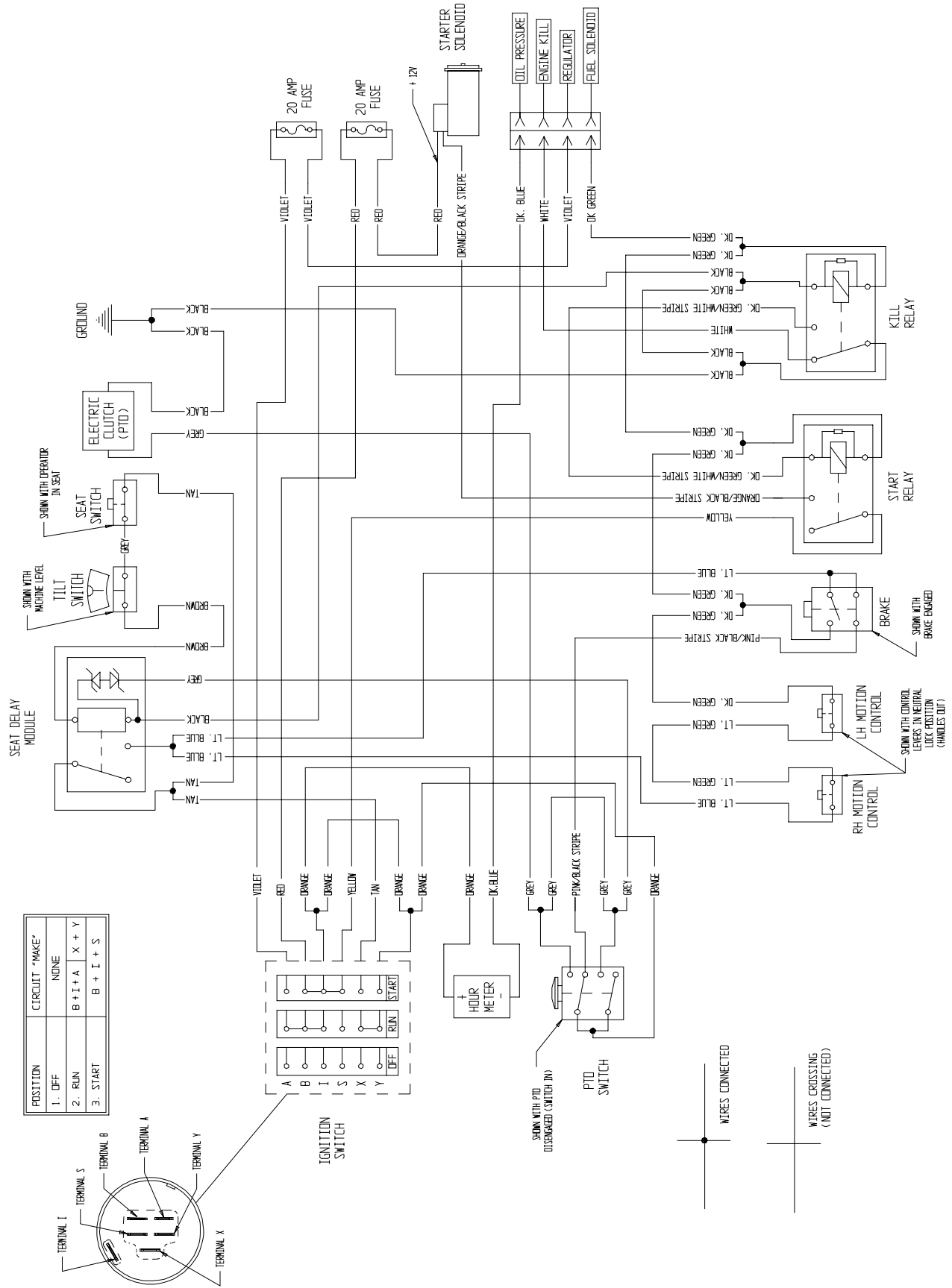
TERMINAL	CONNECTIONS
TERMINAL A	VOLTAGE REGULATOR
TERMINAL B	BATTERY
TERMINAL I	HOUR METER, ENGINE, PTO SWITCH
TERMINAL S	START RELAY
TERMINAL X	SEAT DELAY, TILT SWITCH
TERMINAL Y	HOUR METER, ENGINE, PTO SWITCH



POSITION	CIRCUIT "MAKE"
1. OFF	NONE
2. RUN	B + I + A X + Y
3. START	B + I + S

NOTE:
CONNECTORS VIEWED FROM WIRE END
BOTH MOTION CONTROL SWITCHES
ARE CLOSED WITH CONTROL LEVERS
IN NEUTRAL LOCK POSITION

KOHLER LOGIC SCHEMATIC



NOTES

NOTES

SEE EXMARK'S COMPLETE LINE OF ACCESSORIES

RIDING ACCESSORIES

CUSTOM RIDE SEAT SUSPENSION SYSTEM
DECK LIFT ASSIST KIT
HITCH KIT
LIGHT KIT
MICRO-MULCH SYSTEM
ROLL OVER PROTECTION SYSTEM (ROPS)
SNOW BLADE
SUN SHADE
TRASH CONTAINER
TURF STRIPER
ULTRA VAC COLLECTION SYSTEM
ULTRA VAC QUICK DISPOSAL SYSTEM

WALK BEHIND ACCESSORIES

GRASS CATCHER
MICRO-MULCH SYSTEM
STEERABLE SULKY
SULKY HITCH KIT
TURF STRIPER

Check us out on the Web:
www.exmark.com

© 1997-2004 EXMARK MFG. CO. INC.
INDUSTRIAL PARK BOX 808
BEATRICE, NE 68310

PART NO. 103-7215
(402) 223-6300
FAX (402) 223-5489

ALL RIGHTS RESERVED

PRINTED IN U.S.A.

