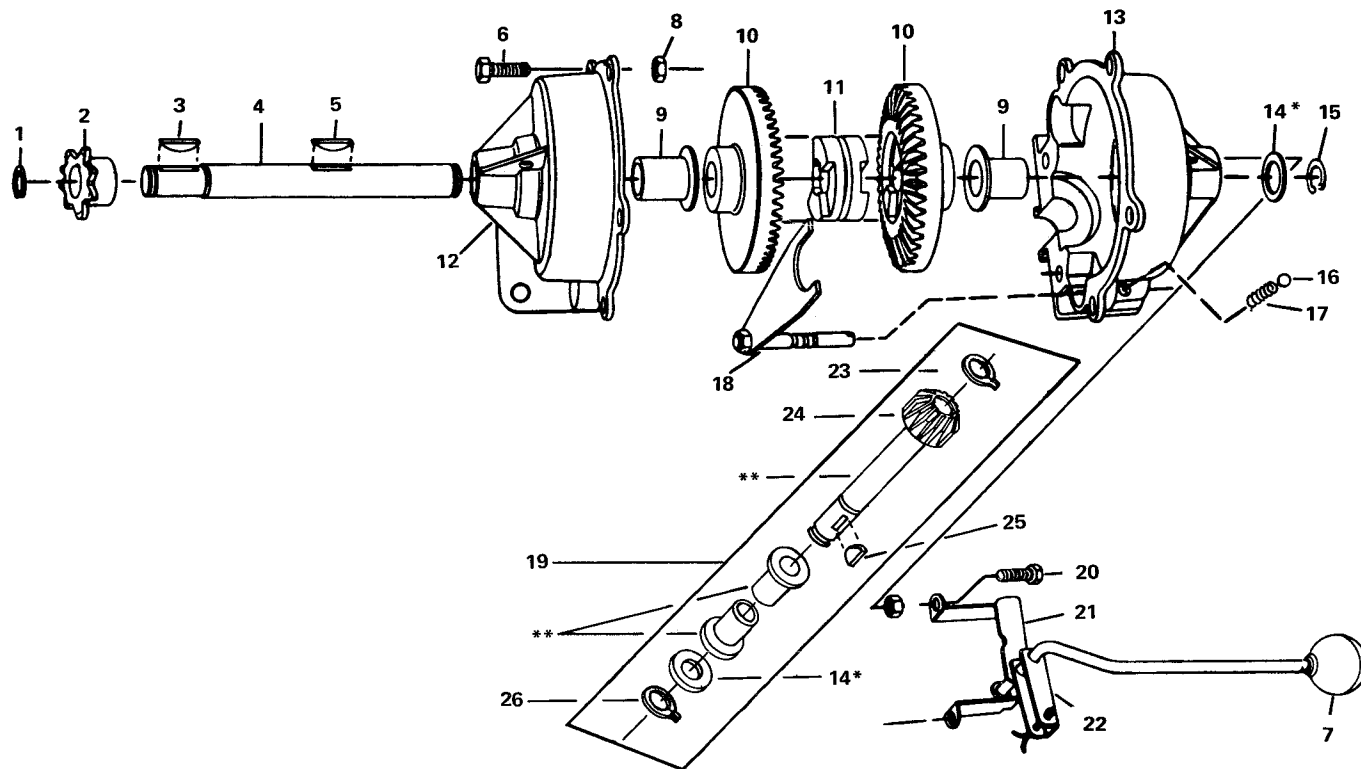


# MODEL P-333

## Single Speed

GEAR RATIO: 1ST. 2.62:1  
REV. 2.62:1

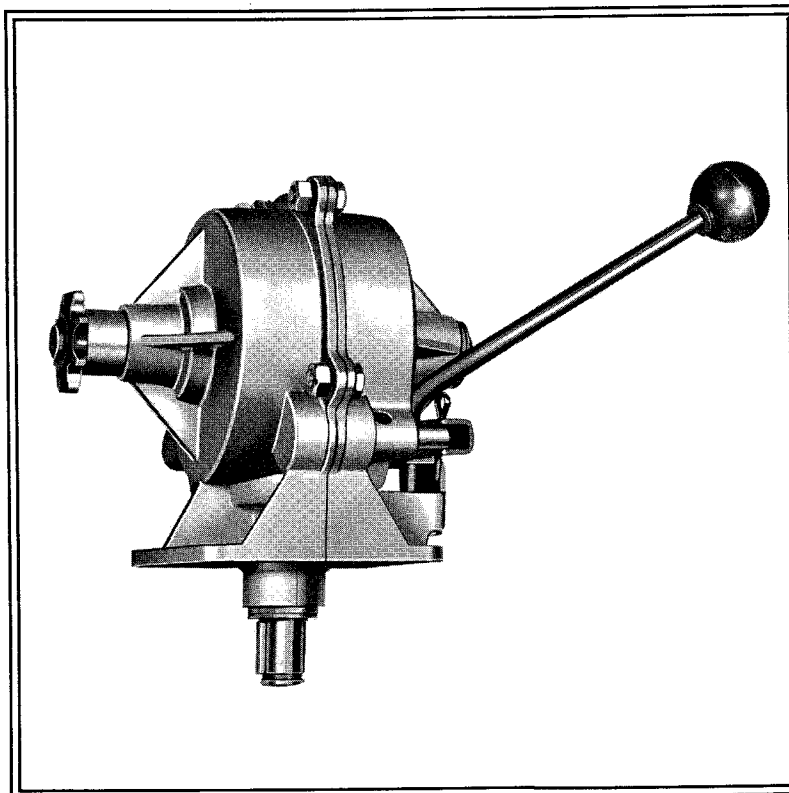


### PARTS LIST

Key No.	Foote Part No.	No. Req'd.	Description	Transmission Models Parts Used On
1	1098	1	Retaining Ring	Models manufactured prior to July, 1973
1	1300	1	Retaining Ring	All models
2	1084	1	8 T. Sprocket (No. 41)	All models
3	1371	1	No. 4 Woodruff Key	All models
4	1139	1	Output Shaft	All models
5	1212	1	Special Hi-Pro Key	All models
6	1379	4	Hx. Hd. Screw (1/4-20 x 5/8)	All models
7	1155	1	Shifter Knob	All models
8	1392	6	Lock Nut (1/4-20)	All models
9	1101	2	Flange Bearing	All models
10	1543	2	42 T. Bevel Gear	All models
11	1083	1	Clutch Collar	All models
12	2557	1	Housing Assembly	All models
13	2558	1	Housing Assembly	All models
14	1068	*	Washer (.040)	All models
14	1082	*	Washer (.030)	All models
14	1145	*	Washer (.060)	All models
14	1319	*	Washer (.080)	All models
15	1106	1	Retaining Ring	All models
16	1151	1	Detent Ball	All models
17	1150	1	Detent Spring	All models
18	2253	1	Detent Shaft Assembly	All models
19	2567	1	Input Shaft Kit Assembly	All models
20	1380	2	Hx. Hd. Screw (1/4-20 x 3/4)	All models
21	1148	1	Shift Lever Bracket	All models
22	2261	1	Shift Lever Assembly	All models
23	1100	1	Retaining Ring	All models
24	1105	1	16 T. Bevel Pinion	All models
25	1374	1	No. 9 Woodruff Key	All models
26	1099	1	Retaining Ring	All models

Note: \* Use in various combinations to maintain proper clearances.  
\*\* Order Key No. 19.

## MODEL P-333



FOOTE MODEL NO.	YEARS BUILT	CUSTOMER'S NAME	CUSTOMER'S PART NO.
P-333-A		Modern Tool & Die	
P-333-B		A.M.F. Western	
P-333-C		Standard — replaced by 35-31 when ordering model P-333-C	
P-333-D		Air Capital	
P-333-E		Heineke	
P-333-F		Hanford	
P-333-G		Goodall	
P-333-H		Foley	
P-333-J		Falls	
P-333-K		Polee, Maple Grove, General Mower	
P-333-L		Peterson	
P-333-MN		Falls	
P-333-N		A.M.F. Western	
P-333-P		H. L. Diehl	

FOOTE MODEL NO.	YEARS BUILT	CUSTOMER'S NAME	CUSTOMER'S PART NO.
P-333-R		Towne	
P-333-S		Lambert	
P-333-T		A.M.F. Western	
P-333-U		Western Engineering	
P-333-V		Motor Wheel	
P-333-WN		Atwater Strong	
P-333-Y		Huffman	
P-333-Z		Yard-Man, Inc.	
P-333-AA		Keen	
P-333-AB		Clipper	
P-333-AC		Sturdevant	
P-333-AE		A.M.F. Western	
P-333-CN		Warrens	
P-333-1		Hahn	
P-333-2		Air Rake	
P-333-3		Hahn	