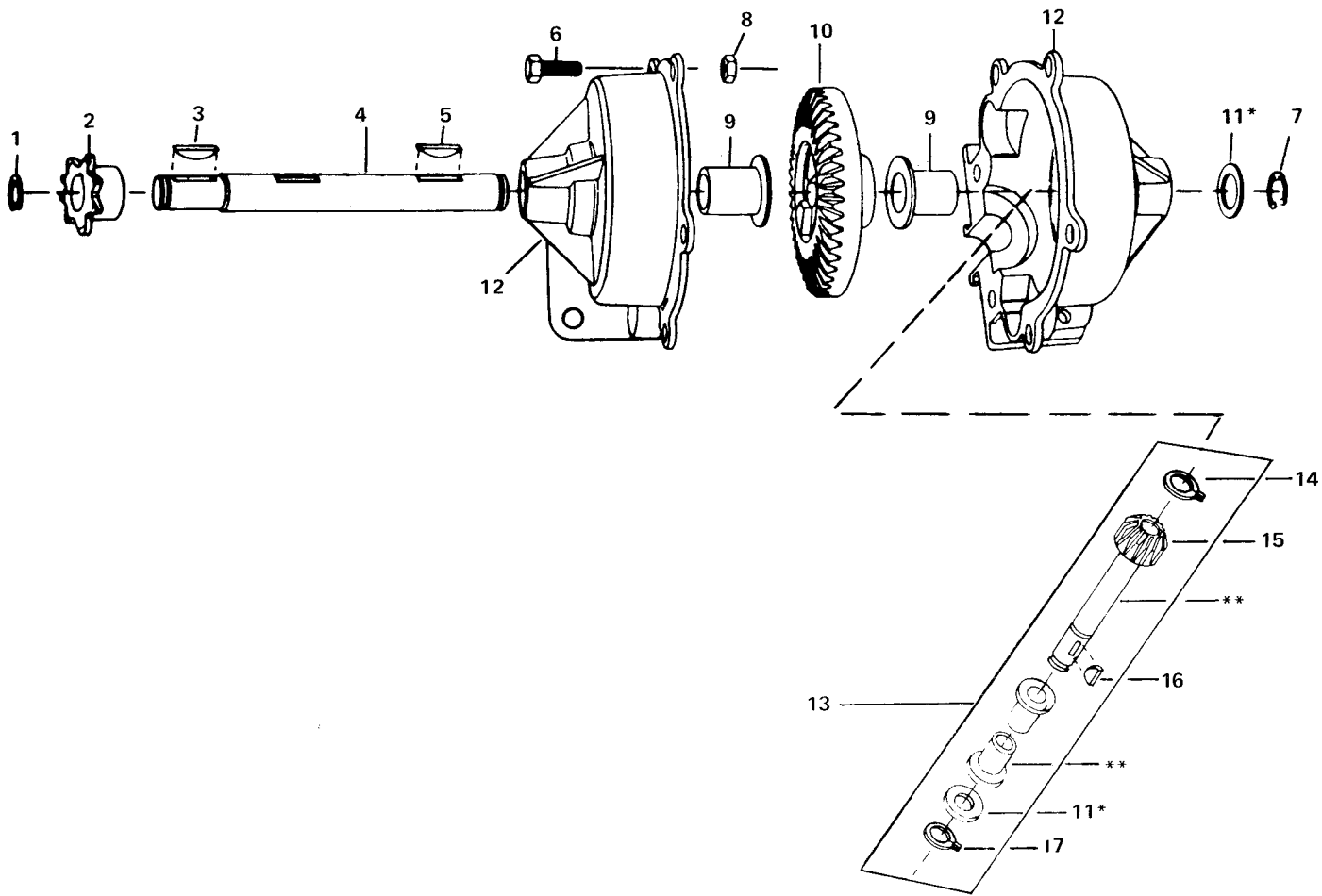


MODEL P-300

GEAR RATIO: 2.62:1



PARTS LIST

Key No.	Footo Part No.	No. Req'd.	Description	Transmission Models Parts Used On
1	1098	1	Retaining Ring	Models manufactured prior to May, 1974
1	1300	1	Retaining Ring	All models
2	1084	1	8 T. Sprocket (No. 41)	All models
3	1371	1	No. 4 Woodruff Key	All models
4	1843	1	Output Shaft	All models
5	1373	1	No. 9 Woodruff Key	All models
6	1379	6	Hx. Hd. Screw (1/4-20 x 5/8)	All models
7	1106	1	Retaining Ring	All models
8	1392	6	Lock Nut (1/4-20)	All models
9	1101	2	Flange Bearing	All models
10	2541	1	42 T. Bevel Gear Kit Assembly	All models
11	1068	*	Washer (.040)	All models
11	1082	*	Washer (.030)	All models
11	1145	*	Washer (.060)	All models
11	1319	*	Washer (.080)	All models
12	2557	2	Housing Assembly	All models
13	2567	1	Input Shaft Kit Assembly	All models
14	1100	1	Retaining Ring	All models
15	1105	1	16 T. Bevel Pinion	All models
16	1374	1	No. 9 Woodruff Key	All models
17	1099	1	Retaining Ring	All models

Note: * Use in various combinations to maintain proper clearances.
 ** Order Key No. 13.

MODEL P-300

FOOTE MODEL NO.	YEARS BUILT	CUSTOMER'S NAME	CUSTOMER'S PART NO.
P-300-A P-300-B P-300-BN P-300-C P-300-E		Advance J.B. Foote Mixer P&E Machinery Lazy Boy Quincy	