

SPICER OUTDOOR POWER EQUIPMENT COMPONENTS DIVISIONDANA CORPORATIONFREDERICKTOWN, OH 43019SERVICE PARTS REPLACEMENT LISTINGMODEL NO.: 4360-153DATE ISSUED: 5/31/2002REVISION 'A'-12/02/2002DESCRIPTION: Six Speed Linear Shift TransaxleREVISION 'B'-2/21/2003REVISION 'C'-7/25/2003CUSTOMER NAME & PART NO.: Murray Inc. #

| <u>Key No.</u> | <u>Dana Part No.</u> | <u>Murray Part No.</u> | <u>No. Req'd.</u> | <u>Description</u> |
|----------------|----------------------|------------------------|-------------------|-----------------------------------|
| 1 | 5305-X | | 1 | Housing, Upper |
| 2 | 1919 | 407185 | 20 | Screw, Tapping, 1/4-20 X .734 |
| 3 | 6196 | | 1 | Assy, Kit, Detent |
| 4 | 3843 | | 2 | Pin, Dowel |
| 5 | 7011 | | 1 | V-Ring |
| 6 | 6557 | | 1 | Assy, Kit, Shifter |
| 7 | 1106 | | 2 | Ring, Retaining |
| 8 | 3876 | | 1 | Washer, Plain, .632 X 1.38 X .046 |
| 9 | 1746 | | 1 | Key, Woodruff, No. 606 |
| 10 | 6476 | | 1 | Assy, Kit, Input Shaft |
| 11 | 4689 | | 3* | Assy, Kit, Shim, .625 Shaft |
| 12 | 6206 | | 1 | Assy, Kit, Pinion & Gear |
| 13 | 3624 | | 1 | Ring, Retaining |
| 14 | 4829 | | 1 | Assy, Kit, Chain & Sprockets |
| 15 | 5510 | | 3 | Bearing, Flange |
| 16 | 5627 | | 1 | Gear, Spur, 12T |
| 17 | 5303 | | 1 | Collar, Clutch |
| 18 | 4758 | | 1 | Assy, Kit, Clutch Keys |
| 19 | 5737 | | 1 | Shaft, Intermediate |
| 20 | 1375 | 400061 | 1 | Key, Woodruff, No. 61 |
| 21 | 3627 | | 1 | Ring, Retaining |
| 22 | 3841 | | 1 | Spacer, 1.131 X 1.45 X .494 |
| 23 | 5365 | | 1 | Gear, Spur, 37T |
| 24 | 5407 | | 1 | Gear, Spur, 35T |
| 25 | 3867 | | 1 | Gear, Spur, 30T |
| 26 | 3783 | | 1 | Gear, Spur, 25T |
| 27 | 3869 | | 1 | Gear, Spur, 22T |
| 28 | 5202 | | 1 | Gear, Spur, 19T |
| 29 | 3628 | | 1 | Washer, Plain, .640 X 1.37 X .061 |
| 30 | 5511 | | 1 | Bearing, Flange |
| 31 | 5508 | | 1 | Seal, Oil |
| 32 | 1425 | 400075 | 2 | Washer, Plain, .632 X 1.00 X .046 |
| 33 | 1082 | 400028 | 1 | Washer, Plain, .632 X 1.00 X .031 |
| 34 | 6358 | | 1 | Assy, Gear, Comb., 12T & 30T |
| 35 | 3967 | | 1 | Shaft, Idler |
| 36 | 3901 | | 1 | Spacer, .633 X .87 X .755 |

Model No. 4360-153

Page 2

| Key No. | Dana Part No. | Murray Part No. | No. Req'd. | Description |
|---------|---------------|-----------------|------------|-----------------------------------|
| 37 | 3882 | | 1 | Shaft, Drive |
| 38 | 5364 | | 1 | Gear, Spur, 12T |
| 39 | 5406 | | 1 | Gear, Spur, 15T |
| 40 | 3866 | | 1 | Gear, Spur, 20T |
| 41 | 3719 | | 1 | Gear, Spur, 25T |
| 42 | 3868 | | 1 | Gear, Spur, 28T |
| 43 | 3683 | | 1 | Gear, Spur, 31T |
| 44 | 1145 | 400040 | 1 | Washer, Plain, .632 X 1.00 X .060 |
| 45 | 5130 | | 2 | Washer, Neoprene |
| 46 | 3184 | | 2 | Washer, Plain, .758 X 1.25 X .031 |
| 47 | 6414 | | 1 | Assy, Kit, Axle, LH |
| 48 | 4691 | | 2* | Assy, Kit, Shim, .750 Shaft |
| 49 | 6207 | | 1 | Assy, Kit, Gear, Miter |
| 50 | 5270 | | 2 | Ring, Retaining |
| 51 | 4394 | | 1 | Assy, Kit, Gear & Shaft |
| 52 | 5564 | | 1 | Spacer, .604 X 1.076 X .475 |
| 53 | 6415 | | 1 | Assy, Kit, Axle, RH |
| 54 | 5304-P | | 1 | Housing, Lower |
| 55 | 4836 | | 1 | Assy, Kit, Puck Friction |
| 56 | 5960 | | 1 | Disc, Brake |
| 57 | 3758 | | 1 | Spacer, Brake Puck |
| 58 | 5554 | | 1 | Jaw, Brake |
| 59 | 5286 | | 1 | Lever, Actuating |
| 60 | 3760 | | 2 | Washer, Plain, .321 X 1.00 X .055 |
| 61 | 5562 | | 2 | Screw, Tapping, 5/16-18 X 2.35 |
| 62 | 3847 | | 1 | Nut, Lock, 5/16-24 |
| 63 | 5555 | | 1 | Bracket, Anti-Rotation |
| 64 | 4300 | | 1 | Grease |

* Use in various combinations to maintain proper clearances.

** Order Key No. 10.

*** Silicone Sealant to be applied between Upper and Lower Housings (use Loctite Ultra Gray Silicone 5699 or equivalent).

REVISION LOG

'A' - 12/2/2002

ITEM #56 WAS 5809

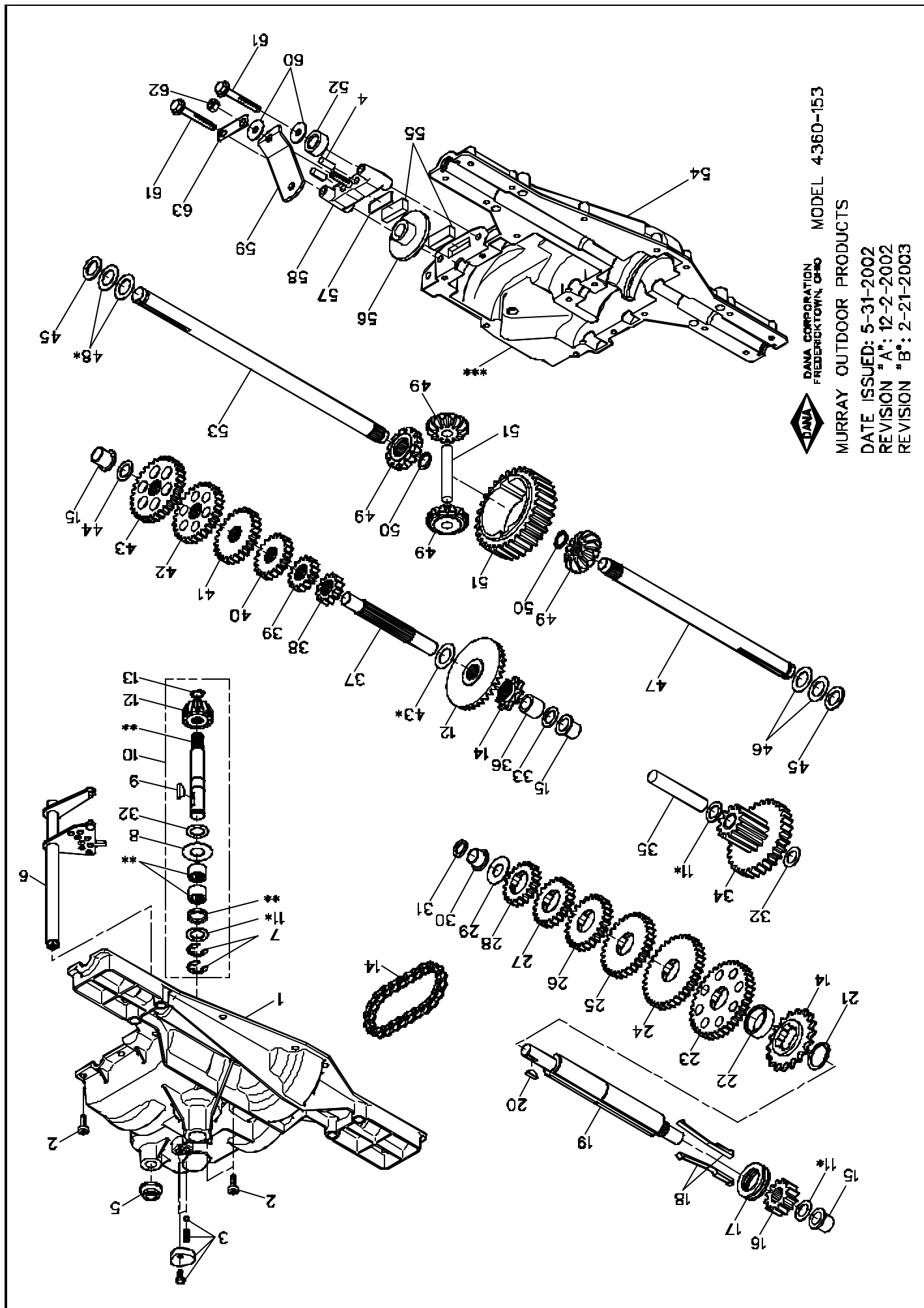
ADDED INPUT SEAL

'B' - 2/21/2003

ITEM #5 WAS 5941

'C' - 7/25/2003

ITEM #6 WAS 6477



DANA
DANA CORPORATION
FREDERICKTOWN, OHIO
MODEL 4360-153
MURRAY OUTDOOR PRODUCTS
DATE ISSUED: 5-31-2002
REVISION "A": 12-2-2002
REVISION "B": 2-21-2003