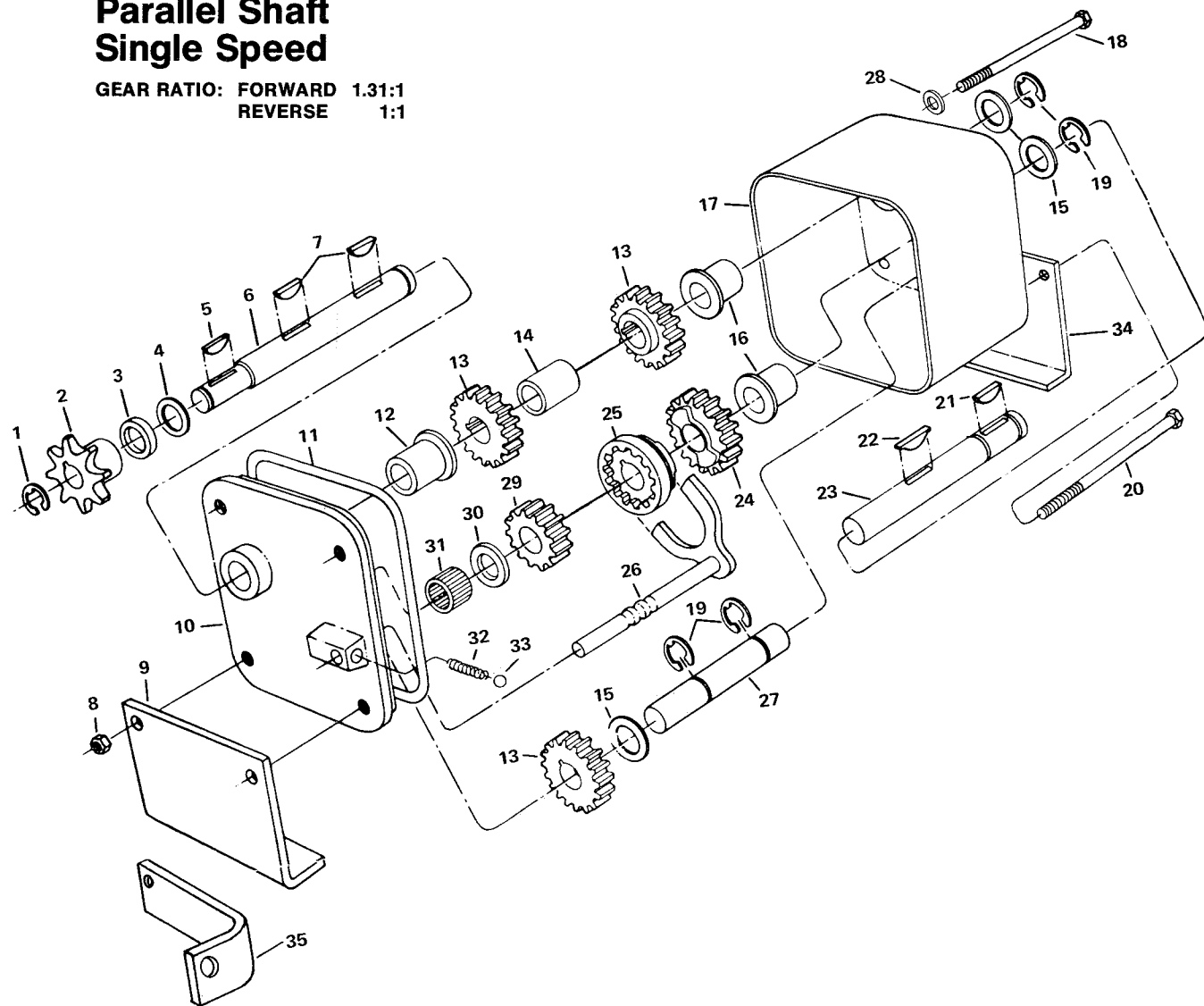


MODEL 39

Parallel Shaft Single Speed

GEAR RATIO: FORWARD 1.31:1
REVERSE 1:1

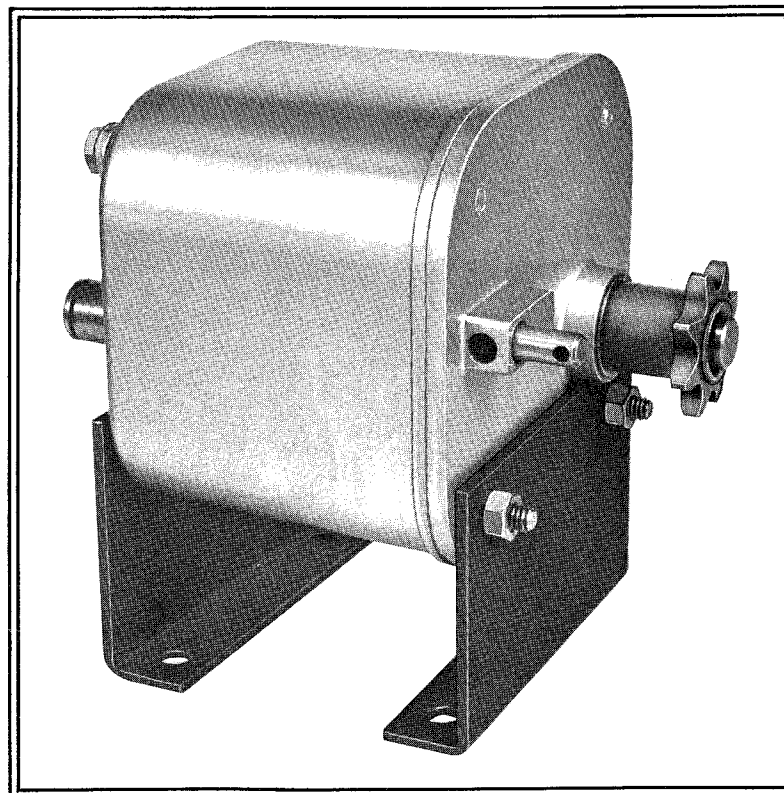


PARTS LIST

Key No.	Footo Part No.	No. Req'd.	Description	Transmission Models Parts Used On	Key No.	Footo Part No.	No. Req'd.	Description	Transmission Models Parts Used On
1	1098	1	Retaining Ring	Models manufactured prior to July, 1974	19	1106	4	Retaining Ring	All models
1	1300	1	Retaining Ring	All models	20	1385	2	Hx. Hd. Bolt (1/4-20 x 4 1/4)	All models except 39-F, 39-G
2	1084	1	8 T. Sprocket (No. 41)	All models except 39-G	21	1373	1	No. 9 Woodruff Key	All models except 39-A, 39-E, 39-H
3	1319	2	Spacer	All models	21	1374	1	No. 9 Woodruff Key	Models 39-A, 39-E, 39-H
4	1145	1	Washer (.060)	All models	22	3069	1	Special Hi-Pro Key	All models
5	1371	1	No. 4 Woodruff Key	All models	23	1244	1	Input Shaft	All models
6	1181	1	Output Shaft	All models	24	1175	1	17 T. Gear	All models
7	1464	2	No. 5 Woodruff Key	All models	25	1176	1	Clutch Collar	All models
8	1392	2	Lock Nut (1/4-20)	All models	26	2095	1	Detent Shaft Assembly	All models
9	1257	1	Mounting Bracket (L.H.)	Model 39-A	27	1246	1	Idler Shaft	All models
9	1764	1	Mounting Bracket	Model 39-E	28	1317	2	Washer (.562 x .281 x .134)	Models 39-A, 39-E, 39-H
10	2547	1	End Plate Assembly	All models	28	1317	4	Washer (.562 x .281 x .134)	All models except 39-A, 39-E, 39-H
11	1237	1	Gasket	All models	29	3280	1	13 T. Gear	All models
12	1143	1	Flange Bearing	All models	30	1103	1	Thrust Washer	All models
13	1118	3	17 T. Gear	All models	31	1161	1	Needle Bearing	All models
14	1081	1	Spacer	All models	32	1150	1	Detent Spring	All models
15	1261	1	Support Bracket	Models 39-A, 39-E	33	1151	1	Detent Ball	All models
16	1144	2	Flange Bearing	All models	34	1259	1	Mounting Bracket (R.H.)	Model 39-A
17	2546	1	Housing Assembly	All models	34	1765	1	Mounting Bracket (R.H.)	Model 39-E
18	1384	2	Hx. Hd. Bolt (1/4-20 x 3 3/4)	All models except 39-F, 39-G					
18	1384	4	Hx. Hd. Bolt (1/4-20 x 3 3/4)	Models 39-F, 39-G					

Note: * Use in various combinations to maintain proper clearances.

MODEL 39



FOOTE MODEL NO.	YEARS BUILT	CUSTOMER'S NAME	CUSTOMER'S PART NO.
39-A	73-76	Moto-Mower	1040343
39-B	73-76	Mono	
39-C	73-76	Standard	
39-E	73-76	Moto-Mower	1071587
39-F	73-76	Nortech	7606
39-G	73-76	Advance	471 021
39-H	73-76	Moto-Mower	1040343