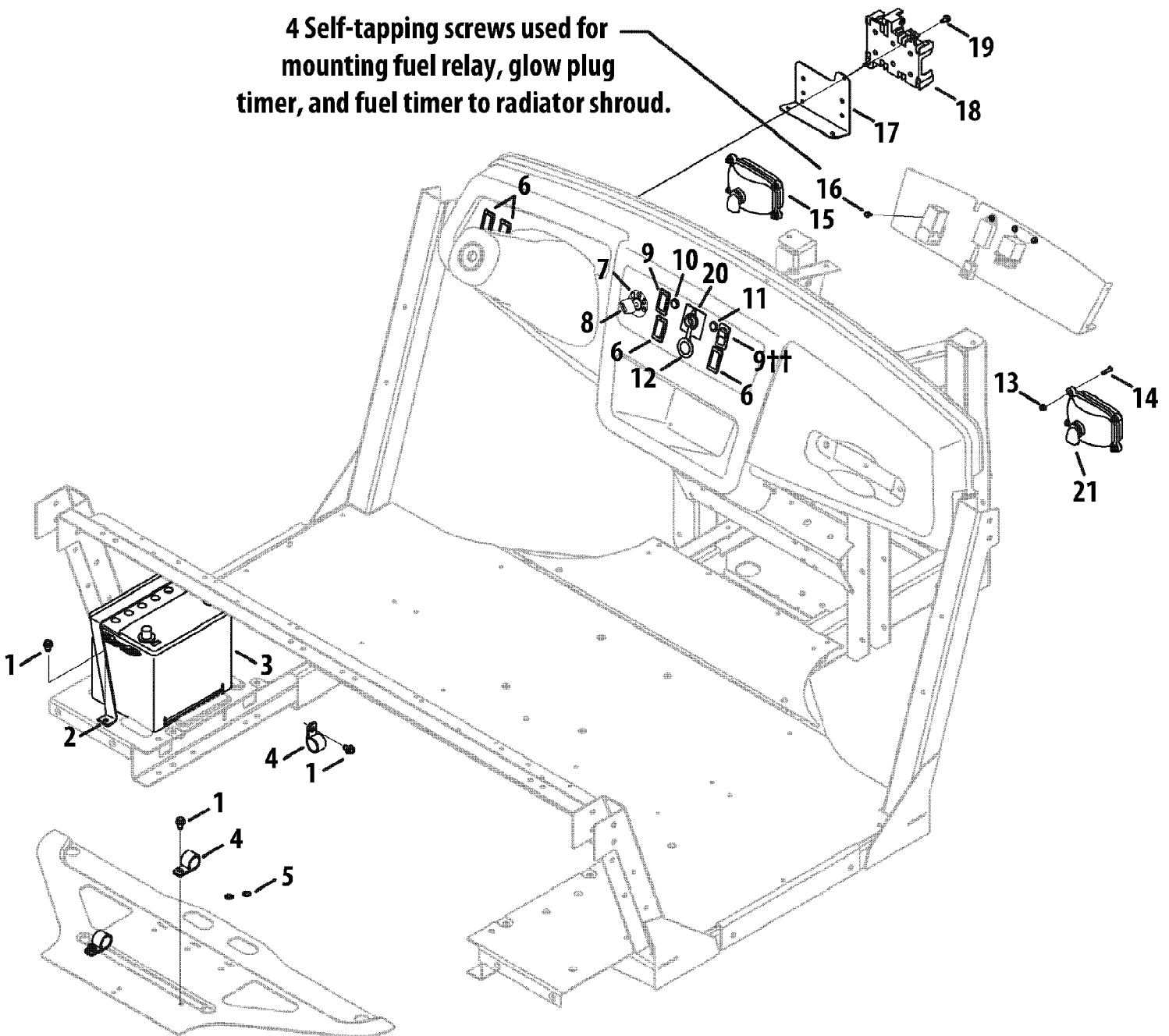


4 Self-tapping screws used for mounting fuel relay, glow plug timer, and fuel timer to radiator shroud.



Ref #	Part Number	Qty	S/P/F	Description
1	710-0607	1	/P	Screw, TT, 5/16-18 x .500
2	707-04870A-0637	1	/P	Bracket, Mt., Battery
3	925-04514	1	/P	Battery, 450 CCA Wet
4	726-0475	1		Clamp
5	736-0607	1	/P	Washer, Lock, 5/16 Diesel Units Only
6	731-04010	1		Panel, Plug, Switch
7	925-1741	1	/P	Switch, Key, 4 Pos. Delta
8	925-1745A	1	/P	Key, Delta, Plastic
9	725-04352	1		Switch, 4x4, Rocker If Equipped
10	925-04288	1	/P	Light, Ind., Yellow, LED Diesel Units Only
10	925-04530	1	/P	Lamp, Ind., Green, Incandescent Kohler EFI Units Only
11	925-04285	1	/P	Light, Ind., Red, LED Diesel Units Only
11	725-04660	1		Lamp, Ind., Red, Incandescent Kohler EFI Units Only
12	725-2003	1		Receptacle, Power, 12v
13	712-0161	1	/P	Nut, Hex Lock, #10-24
14	710-3009	1	/P	Screw, TT, #10-24 x .750
15	625-04036P	1	/P	Headlight Assembly (Incl. # 24)
16	710-0456	1		Screw, #10-16 x .500 Diesel Units Only
17	707-04811-0637	1	/P	Bracket, Fuse Mount
18	731-05490	1		Relay, Holder, 3-Way
19	710-0599	1	/P	Screw, TT, 1/4-20 x .500
20	925-04022B	1	/P	Meter, Ind., Hour Flat Face
21	925-3161A	1	/P	Head lamp Bulb
	725-3283	1		Engine Ground Wire If Equipped, Not Shown
	725-04625	1		Harness, Jumper, Neutral Switch (4x4) Not Shown
	725-04678	1		Harness, Jumper, Neutral Switch (4x2) Not Shown
	725-04840	1		Harness, Wire, Kohler Not Shown
	925-04891	1	/P	Harness, Wire, Kohler, EFI Kohler EFI Units Only,Not Shown
	725-04759	1		Harness, Wire, Yanmar Not Shown
	725-04758	1		Harness, Engine, Diesel, Yanmar Diesel Units Only,Not Shown
	735-04069A	1		Floor Mat, RH If Equipped,Not Shown
	735-04068A	1		Floor Mat, LH If Equipped,Not Shown
	925-04892	1	/P	Harness, Fuel Pump Not Shown
	725-04625	1		Harness, Neutral, Yanmar Not Shown