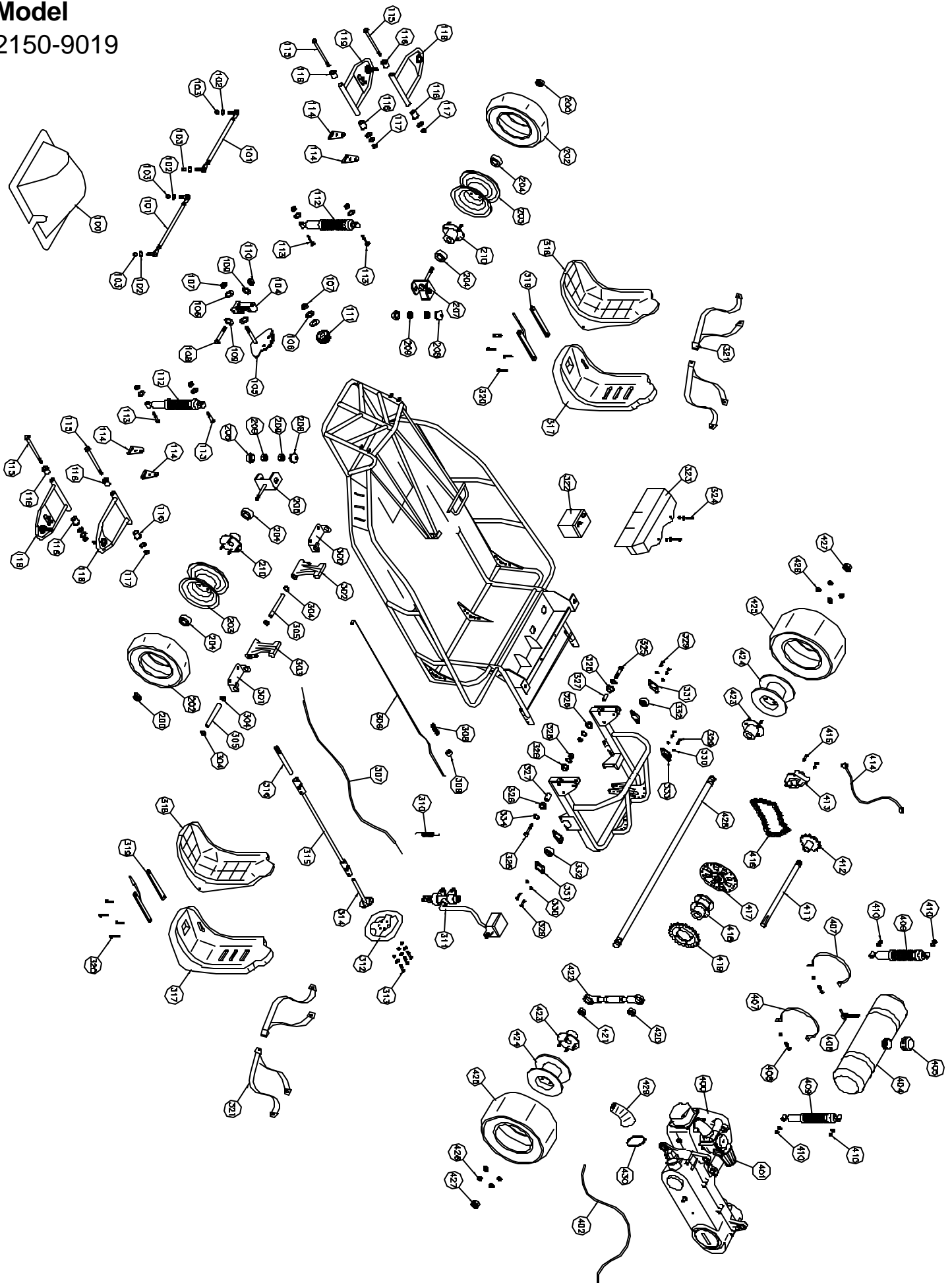


**Model**

2150-9019



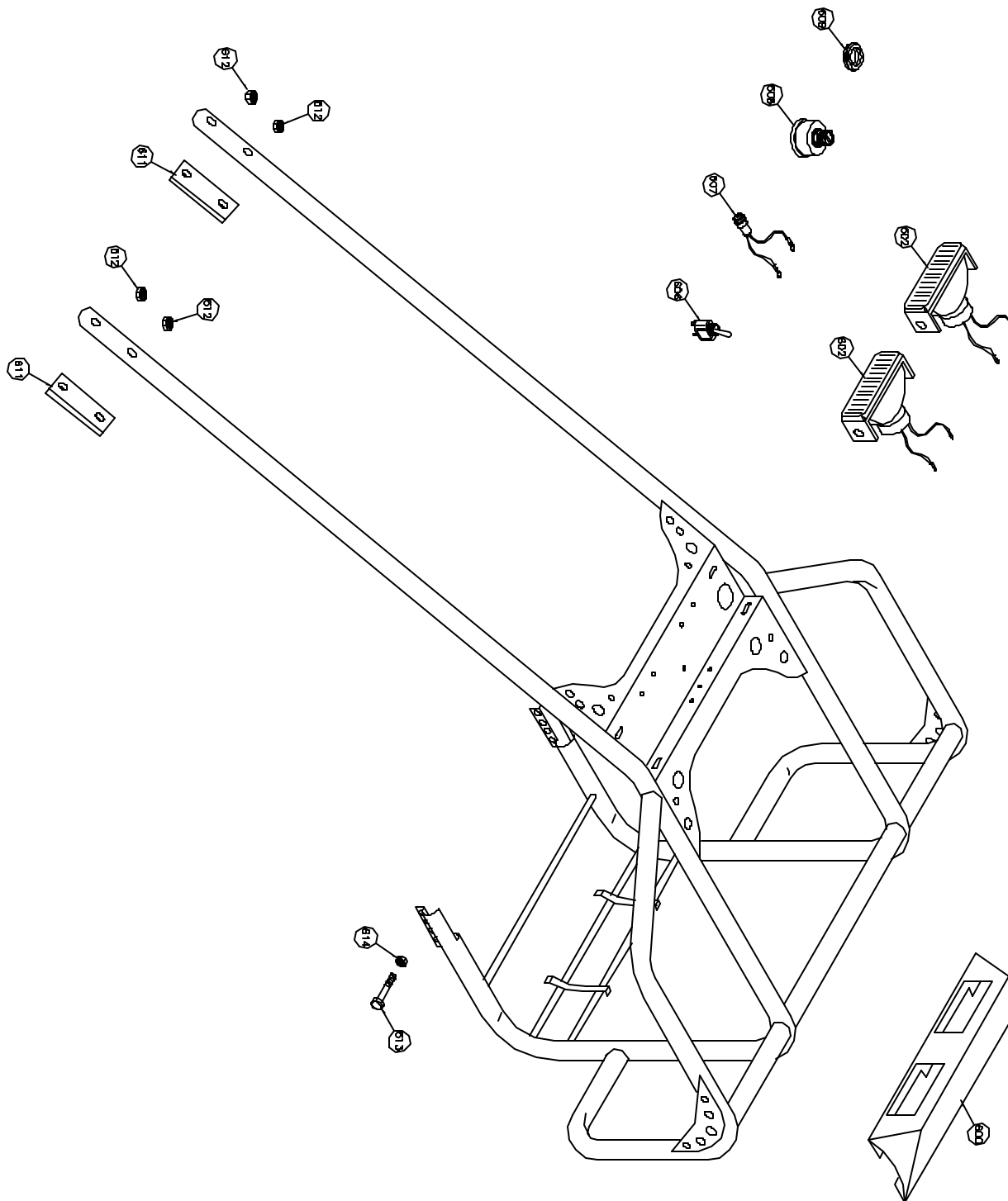
**Illustrated Parts List**

(2150-9019)

No	Partno	Description	Qty	No	Partno	Description	Qty
<b>Steering Section</b>				(319)	G690	Seat Adjuster w/ Handle	2
(100)	3371157	Steering Guard	1	(320)	3011704	Bolt Assy	8
(101)	3562017	Tie Rod Assy	2	(321)	3351007	Seat Belt (4-point)	2
(102)	F408	Lock Washer 3/8" PL	4	(322)	3091534	Battery YTX7L-BS 7amp	1
(103)	F309	Hex Nut 3/8" NF PL	4	(323)	3371167	Electric Box Cover	1
(104)	3450111	Steering Dog Bone	1	(324)	3001110	Screw (Philips head) 10-24 x 1"	2
(105)	3361104	Steering Pinion Assy	1	(325)	F154	Hex Bolt 1/2" x 2 1/2" TAW	2
(106)	F428	Flat Washer 1/2" PL	3	(326)	3401024	Bushing	4
(107)	F326	Lock Nut 1/2" NC PL	2	(327)	3281015	Sleeve	2
(108)	3001102	Bolt 7/16" x 3" NC	1	(328)	3001042	Stover Nut 1/2"	2
(109)	F426	Flat Washer 7/16" PL	2	(329)	F245	Carriage Bolt 5/16" x 3/4" NC	10
(110)	F325	Lock Nut 7/16" NC PL	1	(330)	F1017	Flange Lock Nut 5/16"	10
(111)	3231000	Pinion Gear	1	(331)	G339	Flangette	8
(112)	3531000	Shock Absorb.	2	(332)	3221002	Bearing 25.4mm	4
(113)	3019000	Suspension Bolt Assy	4	(333)	3221001	Bearing 20mm (Lutco)	1
(114)	3361113	A-Arm Adjuster	4	(334)	F428	Flat Washer 1/2" PL	4
(115)	3009039	Hex Bolt 3/8" x 7 1/2" NC Gr5	4	(335)	3301000*	Throttle Cable	1
(116)	3401023	Nylon Bushing	8	(336)	3401104*	Choke Cable	1
(117)	F309	Lock Nut 3/8" NC PL	4	<b>Engine/Drive Section</b>			
(118)	3361109	A-Arm Upper	2	(400)	3130144	Engine KAT-150cc	1
(119)	3361110	A-Arm Lower Shock Mnt	2	(401)	3401038	Air Filter – 2 stage POD	1
<b>Front Wheel Section</b>				(402)	3581104	Fuel Line	1
(200)	F328	Lock Nut 5/8" NC PL	2	(403)	3401025*	Precleaner Sock	1
(202)	3161118	Tire 16 x 650 x 8 Shredder	2	(404)	3371151	Fuel Tank	1
(203)	3191104	Rim 8"	2	(405)	3401001	Fuel Cap	1
(204)	G204	Bearing 1 3/8" x 5/8"	4	(406)	3401002	Fuel valve	1
(206)	3211005	Spindle LFT	1	(407)	3401026	Fuel Tank strap	2
(207)	3211004	Spindle RGT	1	(408)	F101	Hex bolt 1/4" x 1" NC PL	2
(208)	3531006	Ball Joint Boot	4	(409)	3531008	Shocks	2
(209)	3001100	Lock Nut 7/16" NC	4	(410)	F326	Lock nut 1/2" NC PL	4
(210)	G216	Flange Hub	2	(411)	3391109	Output Shaft	1
<b>Frame Section</b>				(412)	3231108	Sprocket	1
(300)	3581107	Pedal Bracket (Throttle)	1	(413)	3521104	Brake Caliper 45801-SKT-00	1
(301)	3521107	Pedal Bracket (Brake)	1	(414)	3521106	Brake Line 45877-SKT-00	1
(302)	3452588	Gas Pedal	1	(415)	3001059	Bolt	2
(303)	3452589	Brake Pedal	1	(416)	3311001	Chain 50x52	1
(304)	3009002	Cap Nut 3/8"	4	(417)	3521111	Brake Disc (See #431 for pads)	1
(305)	3521009	Pedal Pin	2	(418)	3391108	Drive Hub	1
(306)	3261000	Throttle Rod	1	(419)	3231001	Sprocket 25711-SKT-00	1
(307)	3301103	Brake Cable	1	(420)	3221003	Chain Adjuster Bearing 20mm	1
(308)	3571004	Compression Spring	1	(421)	3221004	Chain Adjuster Bearing 25.4mm	1
(309)	F252	Nylock Nut 5/16" NF	1	(422)	3311004	Chain Adjuster (rear)	1
(310)	3571001	Brake Spring	1	(423)	3201001	Hub	2
(311)	3521122	Master Cylinder Assy	1	(424)	3191111	Rim	2
(312)	3361000	Steering Wheel	1	(425)	3161001	Tire 18x11x8 Badlands	2
(313)	3001111	Bolt (Socket) 1/4" x 20 x 3/4"	6	(426)	3001040	Lug Nut 1/2" NF	8
(314)	3361114	Steering Shaft (upper)	1	(427)	3001041	Stover Nut 1"	2
(315)	3361111	Steering Column w/ Joints	1	(428)	3271008	Axle 1" x 44" CR1144	1
(316)	3361115	Steering Shaft (lower)	1	(429)	3401036	Rubber Filter Boot	1
(317)	3341001	Seat	2	(430)	3401037	Boot Clamp	1
(318)	3351000	Seat Cushion	2	(431)	3521120*	Brake Pad	2

(\*) Not shown on illustration

# Barcage



**Illustrated Parts List (cont.)**  
(2150-9015)

No	Partno	Description	Qty	No	Partno	Description	Qty
<b>Electrical Section</b>				(603)	F210*	Screw (Philips) 10-24 x 1/2" (Lights)	4
(500)	3091060*	Voltage Regulator (Rectifier)	1	(604)	F302*	Hex Nut 3/16" NC (Lights)	4
(501)	3091061*	CDI	1	(605)	F402*	Lock Washer 3/16" (Lights)	4
(502)	3091063*	Solenoid (Starter Relay)	1	(606)	3091052	Switch	1
(503)	3091062*	Coil w/ spark plug wire	1	(607)	3091402	Ignition Light	1
(504)	3091059*	Component Wiring harness	1	(608)	3091065	Magneto Switch	1
(505)	3091064*	Engine/CBC Wiring harness	1	(609)	3091401	Wire Grommet	1
(506)	3091053*	Tachometer	1	(610)	F213*	Screw 10-24 x 3/4" (Ground)	1
<b>Bar Cage Section</b>				(611)	3401020	Vibration Dampner	2
(600)	3121002	Light Hood (Blue)	1	(612)	3001100	Lock Nut 7/16" NC	4
(601)	3001542*	Hex Screw 3/16" x 3/4" (Hood)	4	(613)	F110	Hex Bolt 5/16" x 3/4" NC	8
(602)	3091400	Light M557	2	(614)	F1017	Flange Lock Nut 5/16" NC	8

(\*) Not shown on illustration

(\* ) Not shown on illustration

---

Carter Brothers Mfg. Co., Inc. 1871 US Hwy 231 Brundidge, AL 36010-9148  
Tele: (334) 735-2301 Fax: (334) 735-3500

[www.mymowerparts.com](http://www.mymowerparts.com)