

130700 to 130799

SERVICE ENGINE  **SALES MANUAL**

**MODEL 130700 SERIES ENGINES REPLACED WITH
 STANDARD SERVICE ENGINES**

In most cases, the Original Type numbers shown may be replaced by a Service Type Number without making any changes. Necessary changes of engine parts such as crankshafts, reduction parts, blower housings, etc., are noted. Other differences, such as mufflers, elbows, deflectors, etc., are not listed but are very important for safety and engine performance. Be sure the exhaust system on the replacement engine duplicates the system originally selected by the equipment manufacturer. Parts that are suitable for additional use should be transferred. Before making any conversion, check the data shown in the column labeled "REMOVE, ADD and NOTE." See if the changes, which are shown, are actually necessary on the application in question. Often a standard service engine will be a WORKABLE replacement without converting to such things as a special fuel tank or starter position.

If the crankshaft number does not appear in the "Original Engine" column, consult the Illustrated Parts List for the correct service replacement crankshaft number.

Engine Replacement Notes:

Short Block Notes:

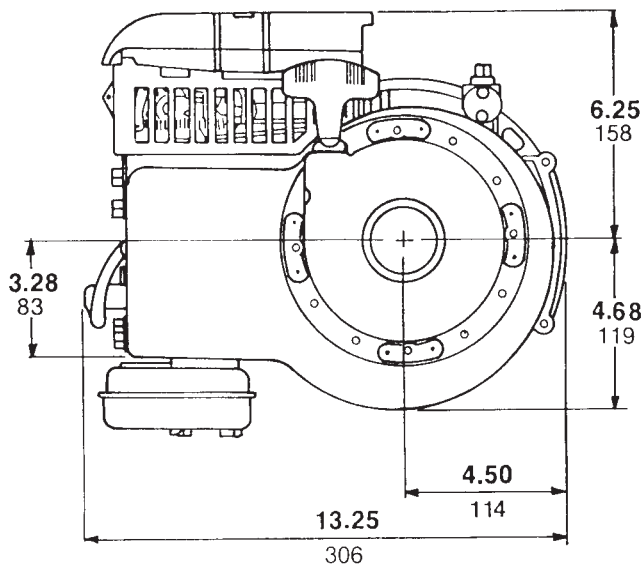
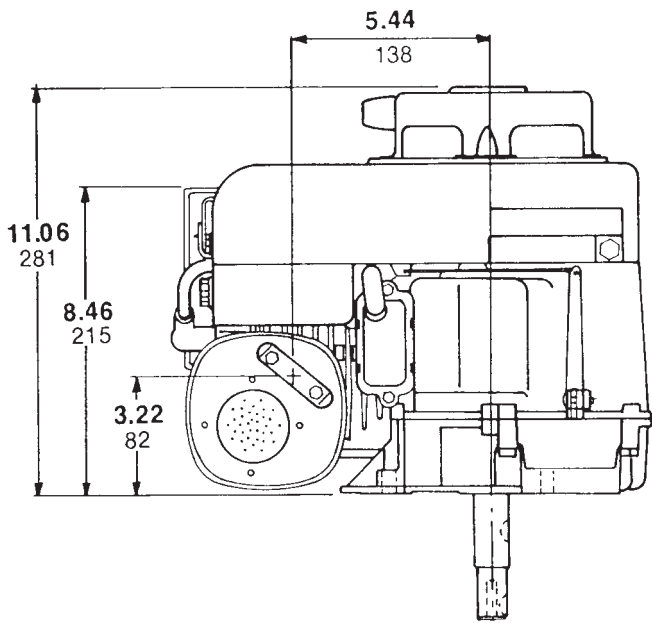
The SHORT BLOCK part number shown, is the assembly which can be used to rebuild the Original Type Number. If a letter appears after the short block number, it indicates the short block must be modified. The change denoted by each letter is as follows:

130700 to 130799

| Original Engine | | | Make From | | Remove | | Add | | Note | Change to Type | Trim | RPM | Short Block | | |
|-----------------|--------|--------|--|--------|--------|--------|-----|--------|------|----------------|------|-----|-------------|-------|--|
| Type | Model | Crank | Model | Type # | Qty | Part # | Qty | Part # | | | | | Part # | Notes | |
| 0131 | 130702 | 490852 | No Replacement Repair With Individual Parts. | | | | | | | | | All | 3300 | | |
| 0132 | 130702 | 397109 | No Replacement Repair With Individual Parts. | | | | | | | | | All | 3600 | | |
| 0133 | 130702 | 492091 | No Replacement Repair With Individual Parts. | | | | | | | | | All | 4000 | | |
| 0134 | 130782 | 492091 | No Replacement Repair With Individual Parts. | | | | | | | | | All | 3500 | | |
| 0135 | 130702 | 492091 | No Replacement Repair With Individual Parts. | | | | | | | | | All | 3500 | | |
| 0136 | 130782 | 492091 | No Replacement Repair With Individual Parts. | | | | | | | | | All | 3500 | | |
| 0137 | 130782 | 493410 | No Replacement Repair With Individual Parts. | | | | | | | | | All | 3500 | | |
| 0138 | 130702 | 492091 | No Replacement Repair With Individual Parts. | | | | | | | | | All | 2900 | | |
| 3125 | 130702 | 397109 | No Replacement Repair With Individual Parts. | | | | | | | | | All | 3300 | | |
| 3126 | 130782 | 397109 | No Replacement Repair With Individual Parts. | | | | | | | | | All | 3300 | | |
| 3127 | 130702 | 493410 | No Replacement Repair With Individual Parts. | | | | | | | | | All | 3300 | | |
| 4001 | 130702 | 397109 | No Replacement Repair With Individual Parts. | | | | | | | | | All | 3600 | | |
| 4002 | 130702 | 493410 | No Replacement Repair With Individual Parts. | | | | | | | | | All | 3500 | | |
| 7002 | 130702 | 493410 | No Replacement Repair With Individual Parts. | | | | | | | | | All | 3500 | | |

130700 to 130799

MODEL 130700



MODEL 133700

