



9H900

Illustrated Parts List

Model Series

9H900

TYPE NUMBER
0100, 0146.

TABLE OF CONTENTS

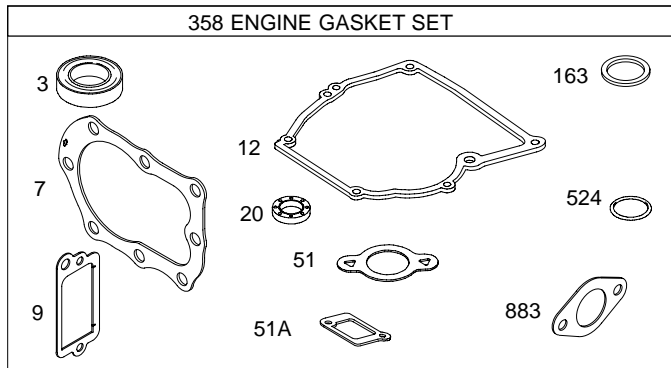
Air Cleaner	5
Blower Housing	6
Cams	3
Carburetor	4
Controls	5
Crankcase Cover/Sump	3
Crankshaft	3
Cylinder	2
Flywheel	6
Fuel Tank	4
Gasket Sets-Engine/Valve	2
Governor Spring	5
Head	2
Ignition	5
Muffler	5
Oil	2
Piston Group	3
Rewind	6
Valves	3



PRINTED IN U.S.A.

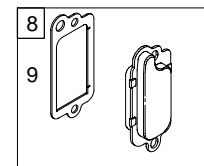
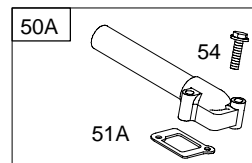
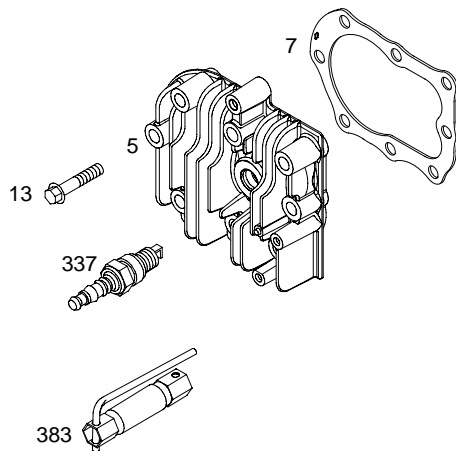
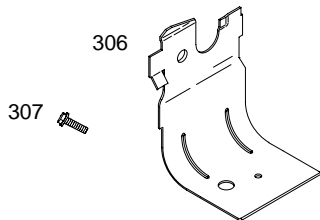
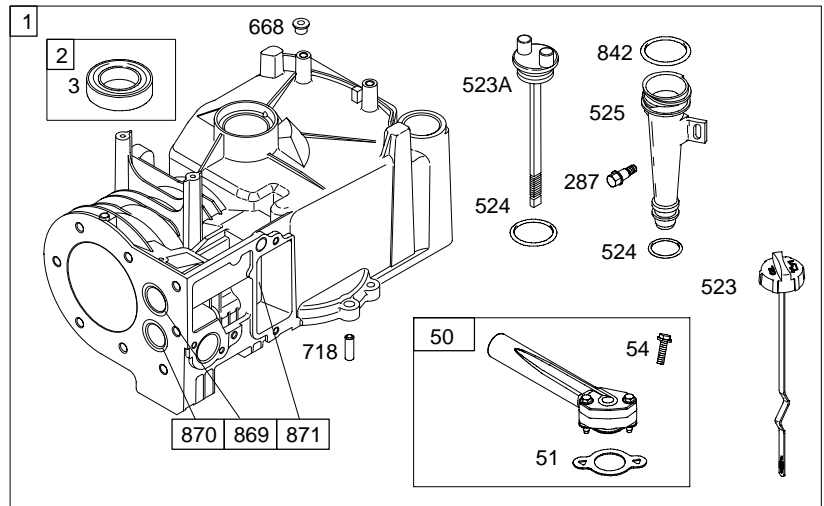
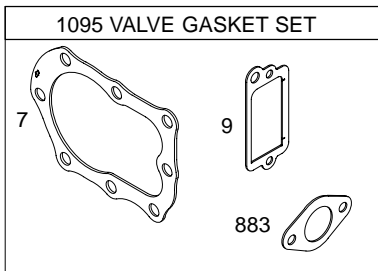
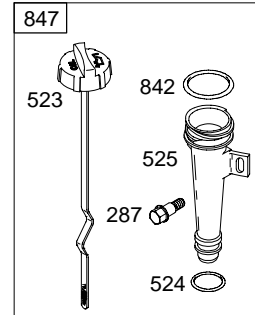
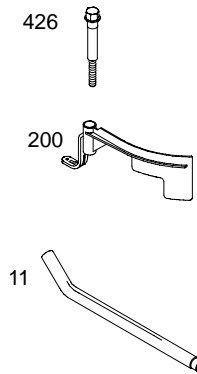
COPYRIGHT by BRIGGS & STRATTON CORPORATION
All rights reserved. No part of this material may be reproduced or transmitted, in any form or by any means, electronic or mechanical, including photocopying, recording or by any information storage and retrieval system, without permission in writing from Briggs & Stratton Corporation.

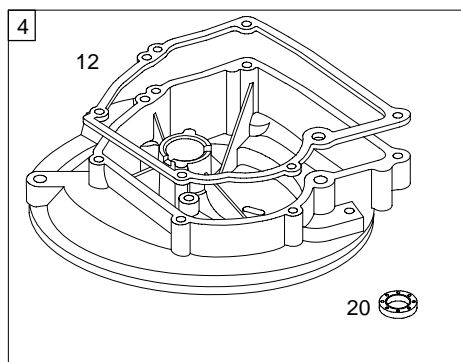
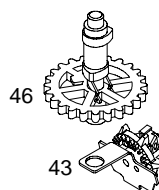
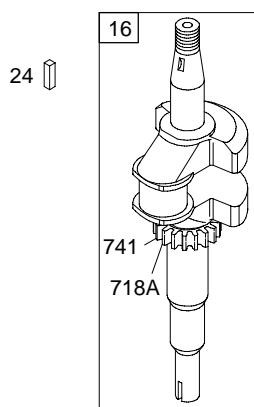
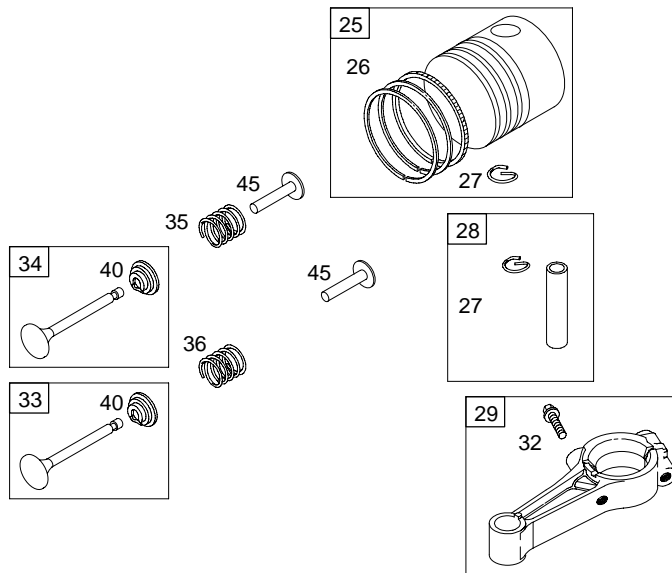
9H900



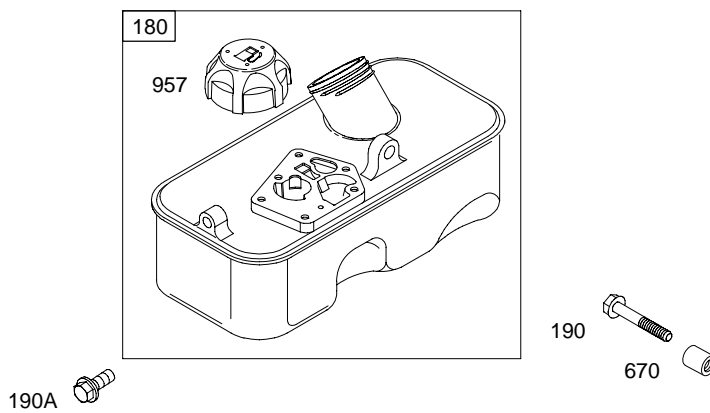
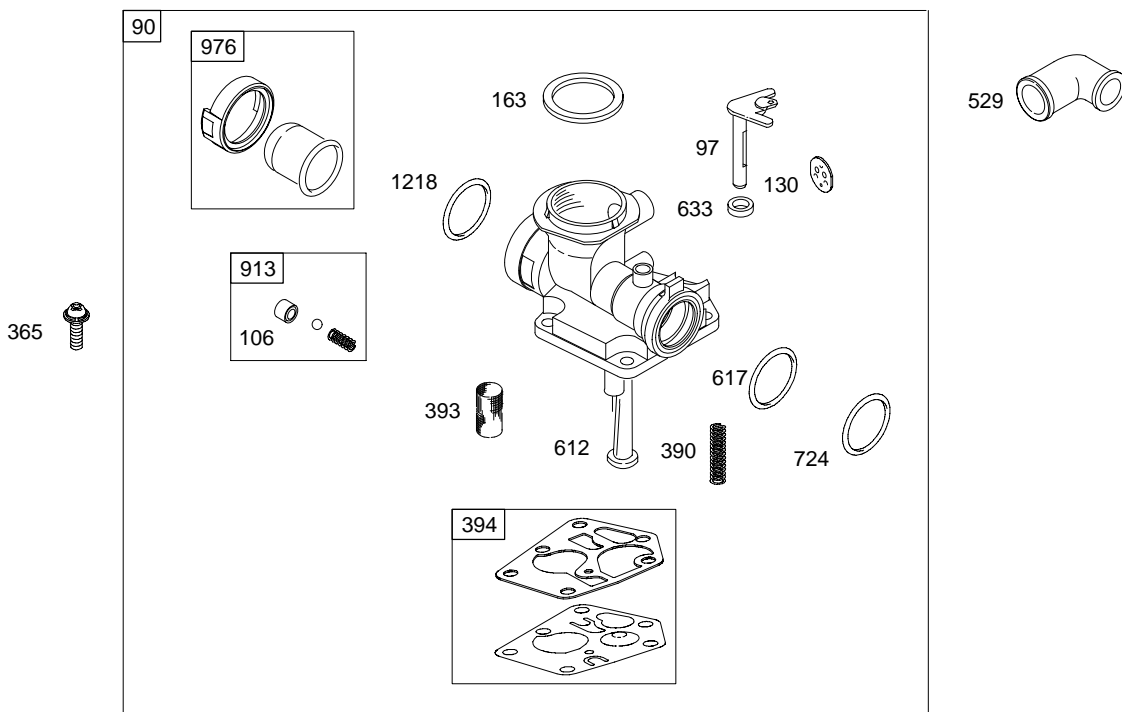
1058 OWNER'S MANUAL

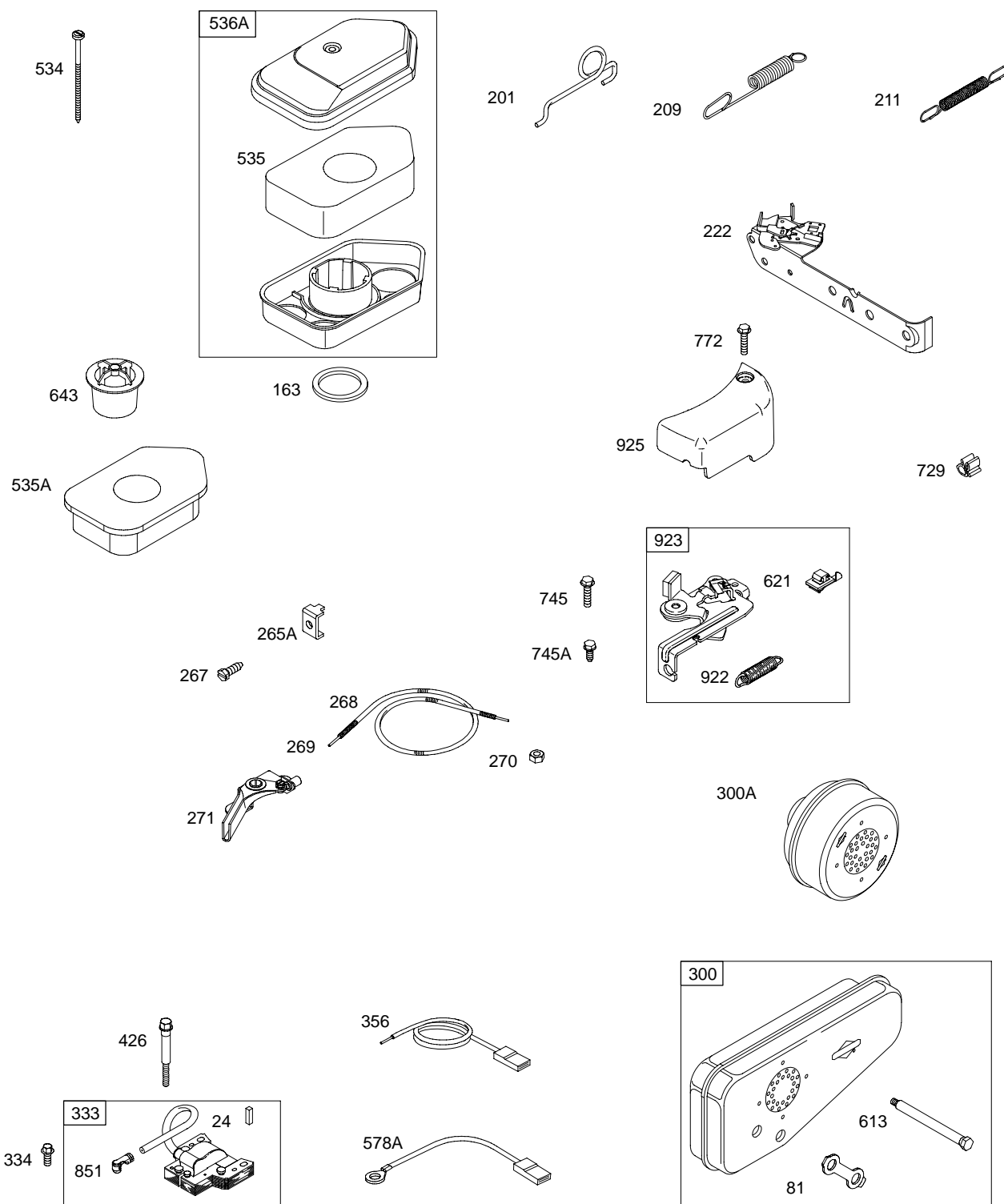
1330 REPAIR MANUAL



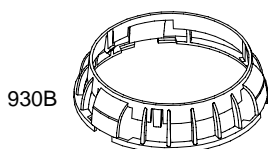


9H900



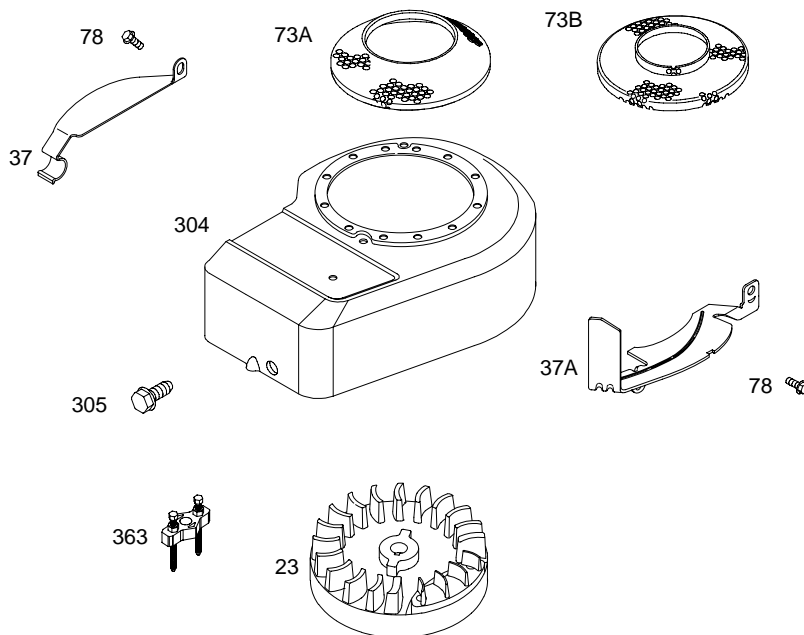
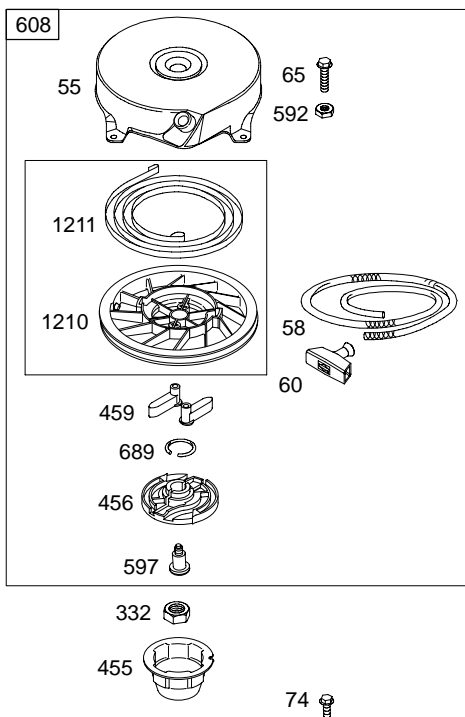


9H900



1036 EMISSIONS LABEL

1019 LABEL KIT



9H900

REF. NO.	PART NO.	DESCRIPTION	REF. NO.	PART NO.	DESCRIPTION	REF. NO.	PART NO.	DESCRIPTION
1	699653	Cylinder Assembly	25	790908	Piston Assembly (Standard) (Used After Code Date 04111400).	29	699655	Rod-Connecting (Standard) (Used After Code Date 03093000).
2	399269	Kit-Bushing/Seal (Magneto Side)			----- Note -----			----- Note -----
3	★299819	Seal-Oil (Magneto Side)			699657 Piston Assembly (Standard) (Used After Code Date 030803000 and Before Code Date 04111500).			294367 Rod-Connecting (Standard) (Used Before Code Date 03100100).
4	698691	Sump-Engine (Used After Code Date 02111200).			498668 Piston Assembly (Standard) (Used After Code Date 96020500 and Before Code Date 03080400).	32	691664	Screw (Connecting Rod)
		----- Note -----						
		395384 Sump-Engine (Used Before Code Date 02111300).	26	790909	Ring Set (Standard) (Used After Code Date 04111400).	33	296676	Valve-Exhaust
5	790169	Head-Cylinder			----- Note -----	34	296677	Valve-Intake
7	★Δ698717	Gasket-Cylinder Head			699658 Ring Set (Standard) (Used After Code Date 030803000 and Before Code Date 04111500).	35	690520	Spring-Valve (Intake)
8	699640	Breather Assembly			498680 Ring Set (Standard) (Used After Code Date 96020500 and Before Code Date 03080400).	36	690520	Spring-Valve (Exhaust)
9	★Δ695890	Gasket-Breather				37	690482	Guard-Flywheel (Carburetor Side)
10	691666	Screw (Breather Assembly)				37A	691209	Guard-Flywheel (Muffler Side)
11	691245	Tube-Breather			498682 Ring Set (.020" Oversize) (Used Before Code Date 04111500).	40	692194	Retainer-Valve
12	★692218	Gasket-Crankcase (.015" Thick) (Standard)				43	698690	Slinger-Governor/Oil
13	691640	Screw (Cylinder Head)				45	691762	Tappet-Valve
15	691680	Plug-Oil Drain			27	691588	Lock-Piston Pin	
16	692991	Crankshaft			28	699659	Pin-Piston (Standard) (Used After Code Date 03080300).	
		----- Note -----			----- Note -----			
		692990 Crankshaft Used on Type No(s). 0100.			298909 Pin-Piston (Standard) (Used Before Code Date 03080400).	50	699644	Manifold-Intake (Used After Code Date 03080300).
20	★391483	Seal-Oil (PTO Side)						----- Note -----
22	692551	Screw (Crankcase Cover/Sump)						693446 Manifold-Intake (Used Before Code Date 03080400).
23	690843	Flywheel				51	★699649	Gasket-Intake (Used After Code Date 03080300).
		----- Note -----						
		692009 Flywheel Used on Type No(s). 0100.				51A	270345	Gasket-Intake (Used Before Code Date 03080400).
24	222698	Key-Flywheel				54	691111	Screw (Intake Manifold)
						55	692144	Housing-Rewind Starter
						58	697316	Rope-Starter (88 5/8" Long)
						60	691915	Grip-Starter Rope
						65	690837	Screw (Rewind Starter)
						73A	699850	Screen-Rotating (Used After Code Date 03082400).
						73B	694018	Screen-Rotating (Used Before Code Date 03082500).

★ Engine Gasket Set-Reference 358
5358-7

Δ Valve Gasket Set-Reference 1095

Assemblies include all parts shown in frames.

09/15/2005

9H900

REF. NO.	PART NO.	DESCRIPTION	REF. NO.	PART NO.	DESCRIPTION	REF. NO.	PART NO.	DESCRIPTION
74	691627	Screw (Rotating Screen)	304	692536	Housing-Blower (Non Compliance Engines)	535	698369	Filter-Air Cleaner Foam (Used After Code Date 02110600).
78	692198	Screw (Flywheel Guard)			----- Note -----	535A	272235	Filter-Air Cleaner Foam (Used Before Code Date 02110700).
81	691179	Lock-Muffler Screw		691484	Housing-Blower (Compliance Engines)	536A	698472	Cleaner-Air
90	498809	Carburetor	305	692198	Screw (Blower Housing)	578A	697582	Wire Assembly Used on Type No(s). 0146.
97	691931	Shaft-Throttle	306	690400	Shield-Cylinder (Used Before Code Date 04071400).	592	690800	Nut (Rewind Starter)
106	691901	Seat-Inlet	307	690345	Screw (Cylinder Shield) (Used Before Code Date 04071400).	597	691696	Screw (Pawl Friction Plate)
130	691190	Valve-Throttle	332	690662	Nut (Flywheel)	608	499706	Starter-Rewind
163	★271139	Gasket-Air Cleaner	333	496914	Armature-Magneto	612	496046	Tube-Pick Up
180	494406	Tank-Fuel	334	691061	Screw (Magneto Armature)	613	691413	Screw (Muffler)
190	691640	Screw (Fuel Tank) (1 3/4" Long)	337	802592	Plug-Spark	617	270344	Seal-O Ring (Intake Manifold)
190A	692198	Screw (Fuel Tank) (1/2" Long)	356	692390	Wire-Stop Used on Type No(s). 0100.	621	692310	Switch-Stop
200	691912	Blade-Governor	358	699933	Gasket Set-Engine	633	691321	Seal-Choke/Throttle Shaft (Throttle)
201	690347	Link-Air Vane	363	19069	Puller-Flywheel	643	691911	Retainer-Air Filter (Used Before Code Date 02110700).
209	690251	Spring-Governor (Yellow) Used on Type No(s). 0146.	365	790029	Screw (Carburetor)	668	692889	Spacer (Cylinder)
		----- Note -----	383	89838	Wrench-Spark Plug	670	691633	Spacer-Fuel Tank
		691297 Spring-Governor (White) Used on Type No(s). 0100.	390	691839	Spring-Choke Diaphragm	689	691855	Spring-Friction
211	691859	Spring-Governed Idle	393	691837	Screen-Carburetor	718	690959	Pin-Locating (Cylinder)
222	691446	Bracket-Control	394	495770	Diaphragm-Carburetor	718A	499047	Pin-Locating (Crankshaft)
265A	690798	Clamp-Casing	426	691107	Screw (Governor Blade)	724	697478	Retainer-Seal
267	691044	Screw (Casing Clamp)	455	691236	Cup-Flywheel	729	690586	Clip-Wire
268	691072	Casing-Control Wire (Cut To Required Length)	456	692299	Plate-Pawl Friction	741	691805	Gear-Timing
269	691026	Wire-Control (Cut To Required Length)	459	281505	Pawl-Ratchet	745	691146	Screw (Brake) (7/8" Long)
270	691027	Nut (Control Wire Casing)	523	692040	Dipstick	745A	690859	Screw (Brake) (1/2" Long)
271	691028	Lever-Control	523A	691913	Dipstick	772	691111	Screw (Linkage Cover)
287	691002	Screw (Dipstick Tube)	524	★691876	Seal-Dipstick Tube	842	★691870	Seal-O Ring (Dipstick Tube)
300	692307	Muffler (Super Lo Tone)	525	691320	Tube-Dipstick	847	691440	Dipstick/Tube Assembly
304A	394569	Muffler (Round Lo Tone)	529	692189	Grommet	851	493880	Terminal-Spark Plug
			534	691417	Screw (Air Cleaner)			

★ Engine Gasket Set-Reference 358

△ Valve Gasket Set Reference 1095

9H900

REF. NO.	PART NO.	DESCRIPTION	REF. NO.	PART NO.	DESCRIPTION	REF. NO.	PART NO.	DESCRIPTION
869	699641	Seat-Valve (Intake) (Used After Code Date 03080300). ----- Note ----- 691701 Seat-Valve (Intake) (Used Before Code Date 03080400).	871	699643	Bushing-Valve Guide (Exhaust) (Used After Code Date 03080300). ----- Note ----- 231348 Bushing-Valve Guide (Exhaust) (Used Before Code Date 03080400).	930B	691348	Guard-Rewind
870	699642	Seat-Valve (Exhaust) (Used After Code Date 03080300). ----- Note ----- 691702 Seat-Valve (Exhaust) (Used Before Code Date 03080400).	913	494409	Seat-Check Valve	957	497929	Cap-Fuel Tank
			922	692135	Spring-Brake	976	694394	Primer-Carburetor
			923	691487	Brake	1019	496757	Kit-Label
			925	691349	Cover-Linkage	1036	790714	Label-Emissions (Available from Authorized Briggs & Stratton Service Dealer)
			883	691880	Gasket-Exhaust	1058	276231	Operator's Manual
						1095	498526	Gasket Set-Valve
						1210	499901	Pulley/Spring Assembly (Pulley)
						1211	499901	Pulley/Spring Assembly (Spring)
						1218	695866	Seal-O Ring (Carburetor)
						1330	270962	Repair Manual

★ Engine Gasket Set-Reference 358
5358-9

△ Valve Gasket Set-Reference 1095

Assemblies include all parts shown in frames.

09/15/2005