

93900 to 93999

Illustrated Parts List Model Series

93900 to 93999

Non-Compliance

TYPE NUMBERS
0601, 0611, 0612.

Compliance

TYPE NUMBERS
3601, 3610, 3611,
3612, 3613, 3615.

TO FIND

THE CORRECT NUMBER OF THE PART YOU NEED: FOLLOW THE INSTRUCTIONS BELOW

- A. Refer to Engine Model, Type and Code Number that is stamped on the blower housing of engine. Engine type numbers such as 0123 01 are listed only as 0123 in most instances. The two digits (01 or 02, etc.) to the right of the space may be required for more accurate parts identification in some instances. Select the Illustrated Parts List covering the correct Model Series and Type Number.
- B. Refer to the Illustrations and compare the original part with Illustration. The number next to the illustration is the Reference Number. Assemblies include all parts shown in frames. All parts shown in assembly frames having individual reference numbers can be purchased separately.
- C. After the Reference Number has been identified, refer to the Numerical text, where Reference and Primary Part Number are listed. **THE PRIMARY PART IS USED ON ALL TYPE NUMBERS EXCEPT THOSE TYPE NUMBERS UNDER "NOTE."**
- D. If a "Note" appears below the Primary Part Number, it means that this part differs from the Primary Part for certain types. If your Type number is listed under "Note," order the part referred to at the "Note."
- E. If your Engine Type Number does not appear after any part number listed under "Note," use the Primary Part Number.
- F. For Engine Type Numbers not covered by this book, check other Parts Lists having the same engine model or contact your source of supply.

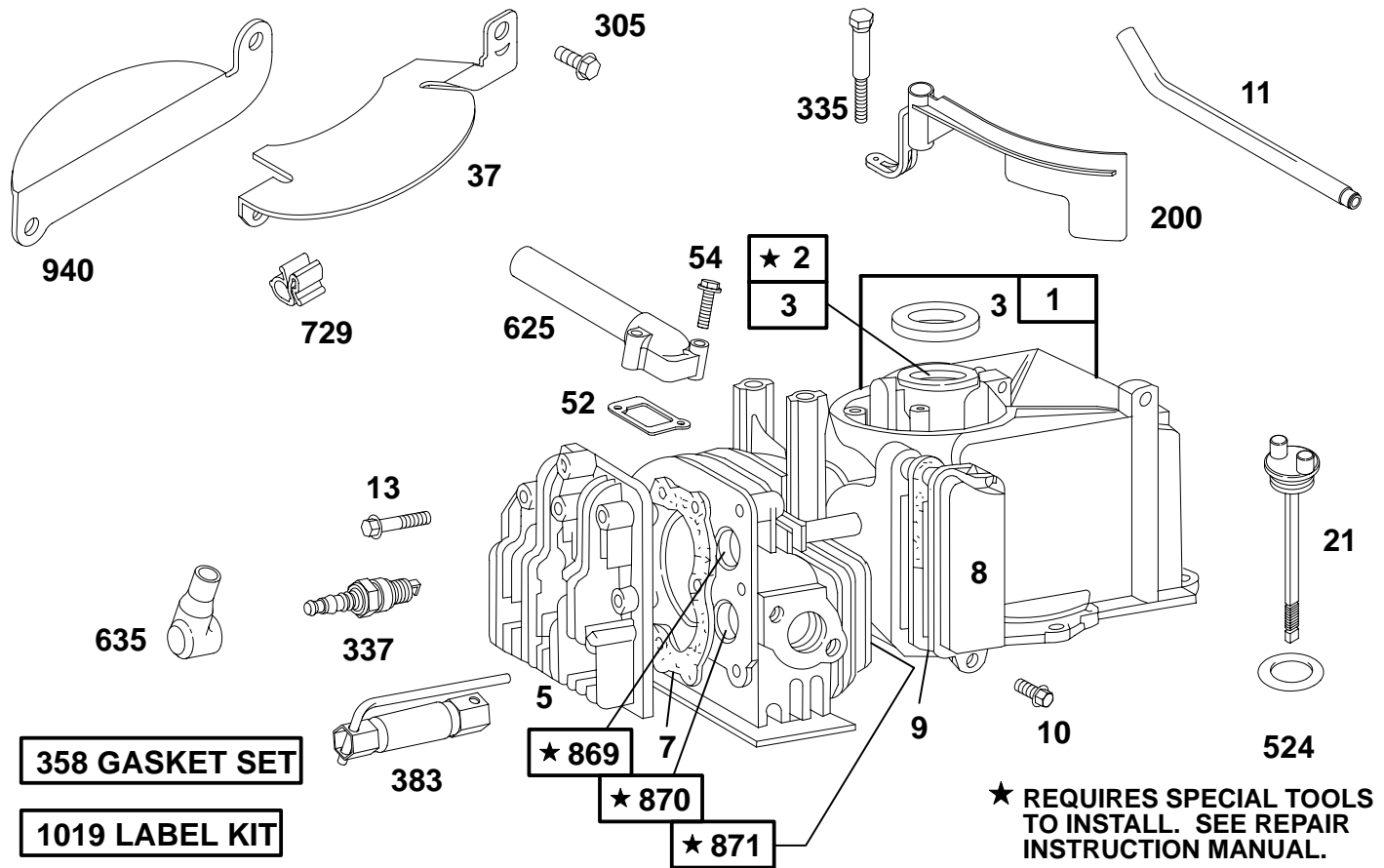
PRINTED IN U.S.A.

COPYRIGHT©

BRIGGS & STRATTON

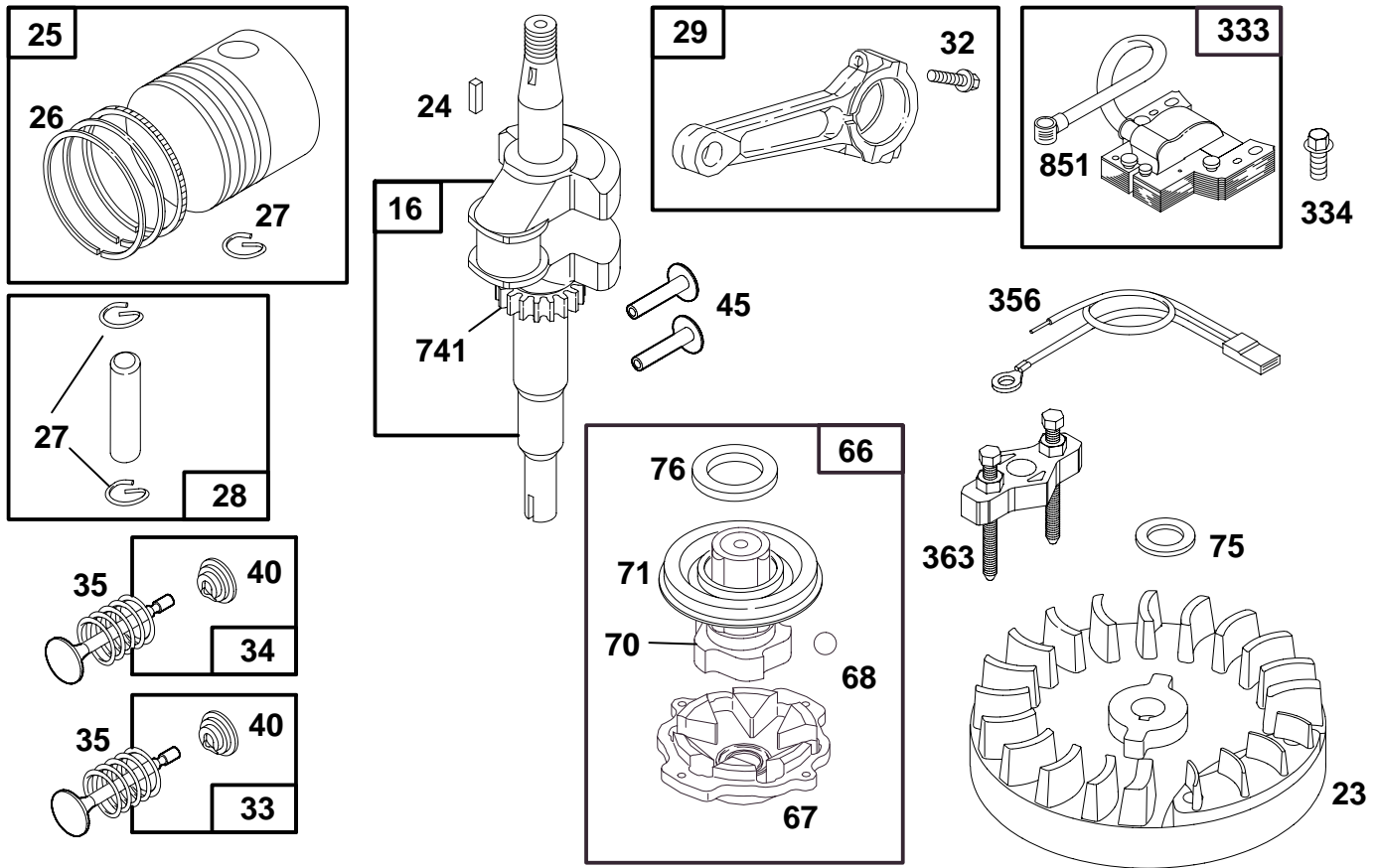
®

93900 to 93999



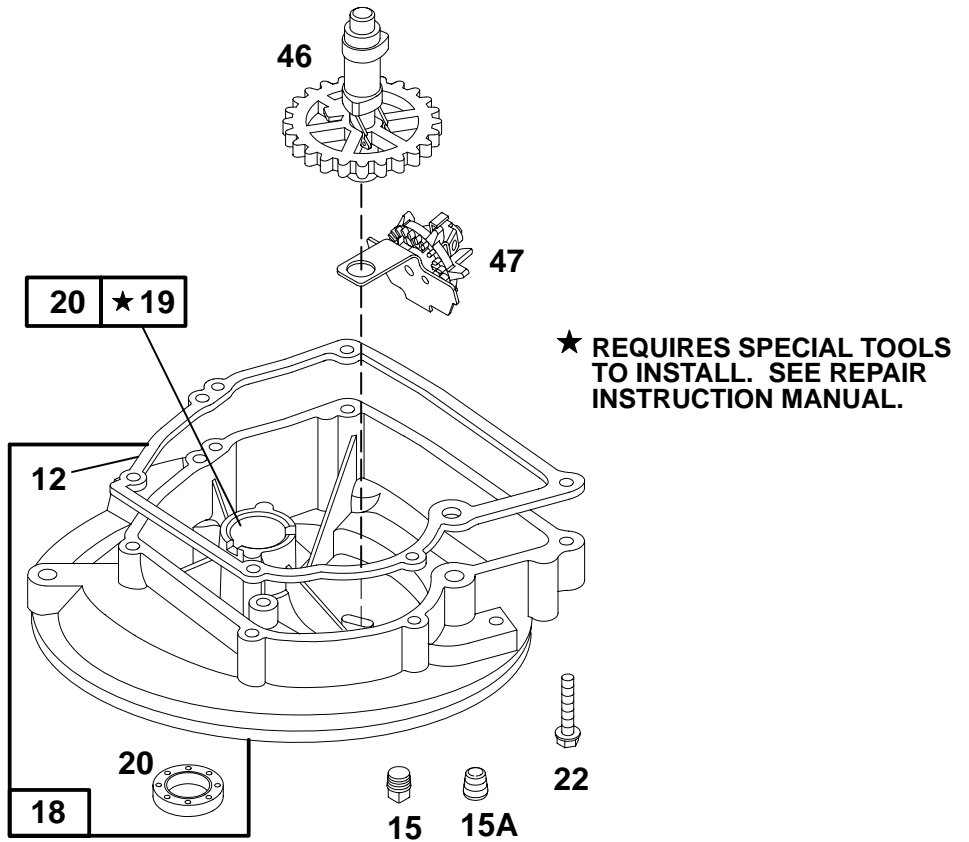
REF. NO.	PART NO.	DESCRIPTION	REF. NO.	PART NO.	DESCRIPTION	REF. NO.	PART NO.	DESCRIPTION
1	399164	Cylinder Assembly	37	223150	Guard-Flywheel	383	89838	Wrench-Spark Plug
2	293708	Bushing-Cylinder	52	★270345	Gasket-Intake Elbow	524	★271485	Seal-Filler Tube
3	★299819	Seal-Oil	54	93485	Screw-Intake Elbow Mounting	625	298775	Tube-Fuel Intake
5	211479	Head-Cylinder	200	281024	Blade-Governor	635	66538	Elbow-Spark Plug
	Note: 213942	Head-Cylinder Used on Engines With Muffler Guard.	305	94153	Screw-Blower Housing Mounting Sem	729	280470	Clip-Wire
7	★272170	Gasket-Cylinder Head	335	93435	Screw-Armature and Governor Blade Mounting Sem	869	211172	Seat-Intake Valve
8	298383	Breather-Valve Chamber	337	492167	Plug-Spark (1-7/8" High, 48 mm.)	870	211291	Seat-Exhaust Valve
9	★270239	Gasket-Valve Cover		Note: 802592	Plug-Spark (Resistor Type) (1-7/8" High, 48 mm.)	871	231348	Guide-Exhaust Valve
10	93394	Screw-Sem	358	298989	Gasket Set		Note: 63709	Guide-Intake Valve
11	231774	Tube-Breather				940	222403	Guard-Flywheel
13	93111	Screw-Cylinder Head (1-15/16" Long)				1019	491082	Label Kit
21	280485	Plug-Oil Filler						

★ Included in Gasket Set-Part No. 298989.



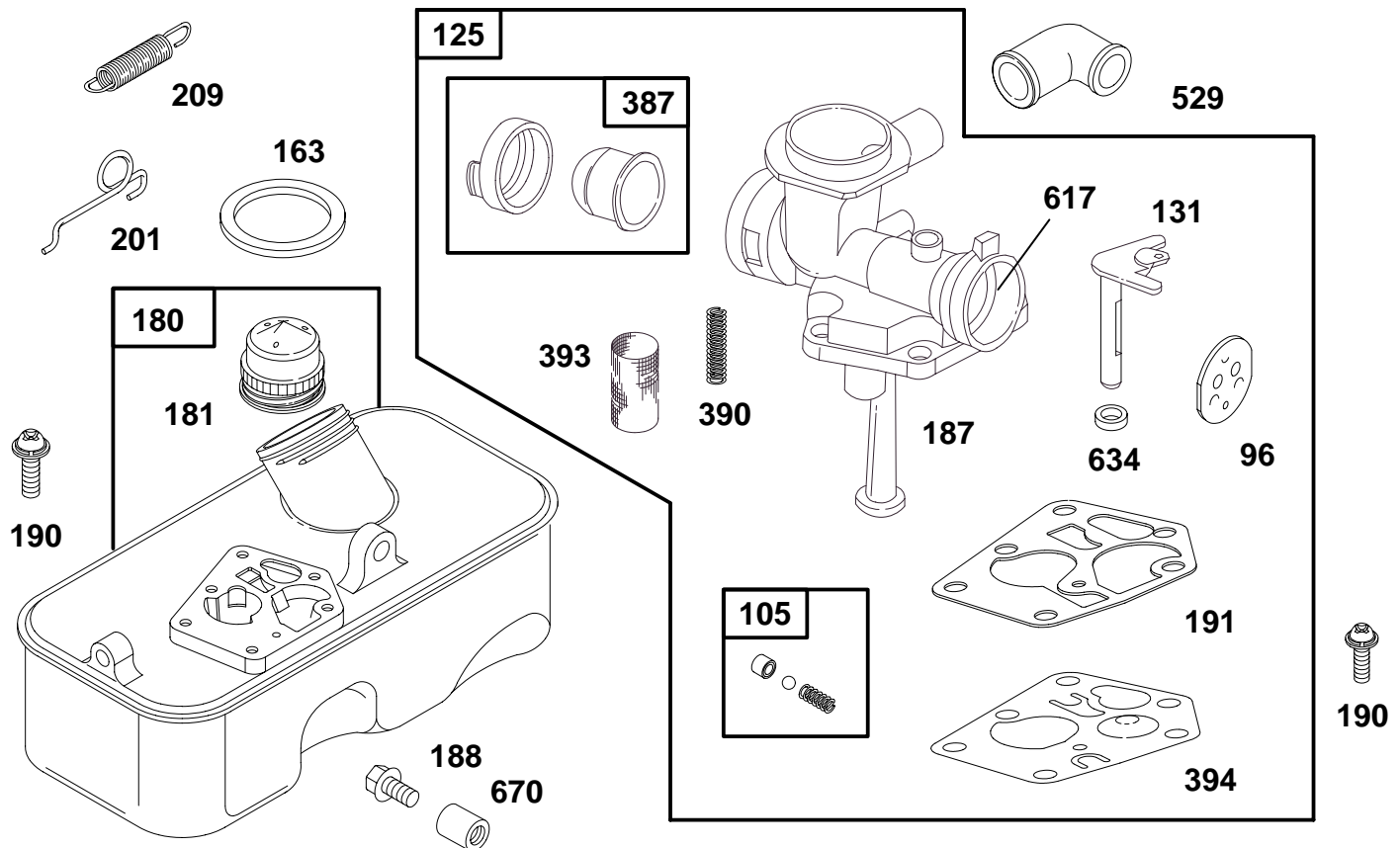
REF. NO.	PART NO.	DESCRIPTION	REF. NO.	PART NO.	DESCRIPTION	REF. NO.	PART NO.	DESCRIPTION
16		Crankshaft See Last Pages.				45	230173	Tappet-Valve
23	395653	Flywheel-Magneto Note: 394066 Flywheel-Magneto Used on Type No. 0612.		298984	Ring Set-Piston (.020" O.S.)	66	399671	Clutch Assembly-Rewind Starter
24	222698	Key-Flywheel	27	26026	Lock-Piston Pin	67	394897	Housing-Starter Clutch
25	298904	Piston Assy. (Standard)	28	298909	Pin Assembly-Piston (Standard)	68	63770	Ball-Clutch
	298905	Piston Assy. (.010" O.S.)		298908	Pin Assembly-Piston (.005" O.S.)	70	298799	Ratchet-Rewind Starter
	298906	Piston Assy. (.020" O.S.)	29	294201	Rod Assy.-Connecting Note: For Connecting Rod With .020" Undersize Crankpin Bore-Order No. 296079.	71	394506	Washer-Clutch Retainer
	298907	Piston Assy. (.030" O.S.)	32	94404	Screw-Connecting Rod	75	223047	Washer-Spring
26	298982	Ring Set- Piston (Standard)	33	296676	Valve-Exhaust	76	68238	Washer-Ratchet Sealing
	298983	Ring Set-Piston (.010" O.S.)	34	296677	Valve-Intake	333	398593	Armature-Magneto
			35	260552	Spring-Valve	334	93381	Screw-Armature Mounting Sem
			40	93312	Retainer-Valve Spring	356	398808	Wire-Ground
						363	19069	Puller-Flywheel
						741	261533	Gear-Timing
						851	221798	Terminal-Ignition Cable

93900 to 93999



REF. NO.	PART NO.	DESCRIPTION	REF. NO.	PART NO.	DESCRIPTION	REF. NO.	PART NO.	DESCRIPTION
12	★270833	Gasket-Crankcase (.015" Thick, Standard)	15	91084	Plug-Oil Drain (Square Head)	20	★391483	Seal-Oil
	★270895	Gasket-Crankcase (.005" Thick)	15A	94613	Plug-Oil Drain Hex. Socket	22	93032	Screw-Mtg. Sem
	★270896	Gasket-Crankcase (.009" Thick)	18	395384	Sump-Engine	46	491675	Gear-Cam
			19	293709	Bushing-Engine Sump	47	491688	Oil Slinger Gear and Bracket

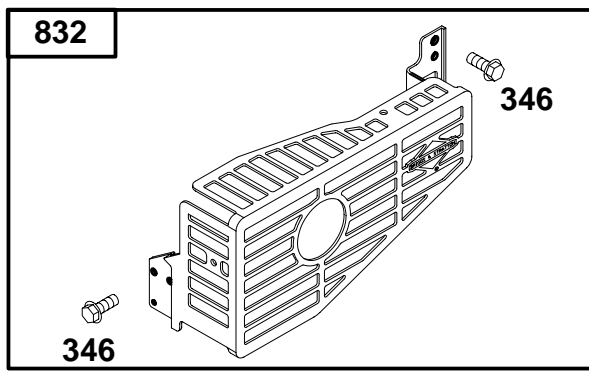
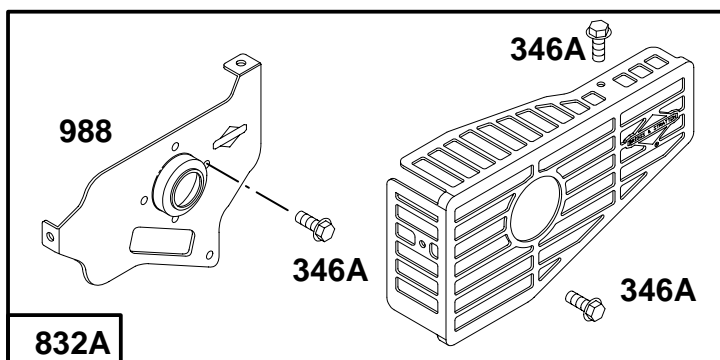
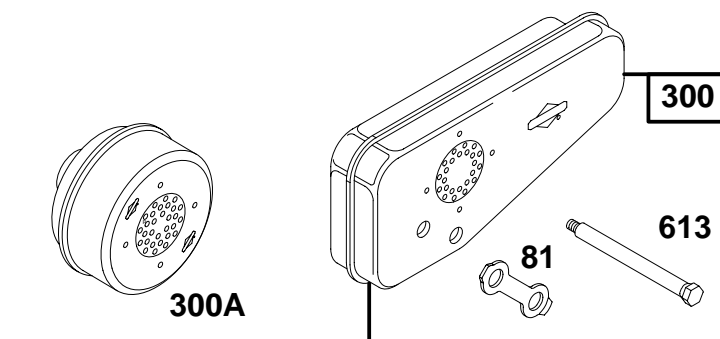
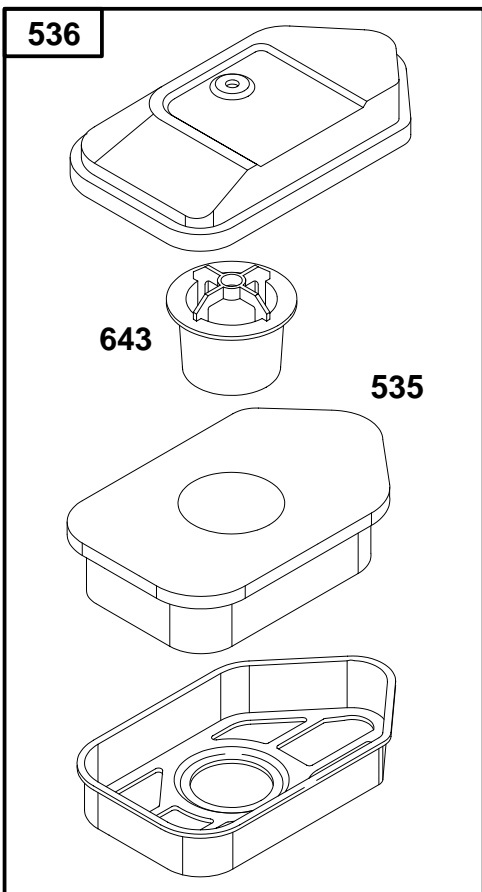
★ Included in Gasket Set-Part No. 298989.



REF. NO.	PART NO.	DESCRIPTION	REF. NO.	PART NO.	DESCRIPTION	REF. NO.	PART NO.	DESCRIPTION
96	224412	Valve-Throttle	190	93440	Screw-Fuel Tank Mtg.	390	262764	Spring-Diaphragm
105	494409	Needle Valve Seat Assy.	191	272372	Gasket-Pump	393	262734	Screen-Jet
125	494407	Carburetor Assembly	201	262753	Link-Governor	394	281028	Diaphragm-Carburetor
131	281047	Shaft and Lever-Throttle	209	262757	Spring-Governor	529	67838	Grommet-Breather
163	*271139	Gasket-Air Cleaner Mounting		Note: 262758	Spring-Gov. Used on Type Nos. 0601, 0611, 0612, 3601, 3611, 3612, 3613, 3615.	617	*270344	Seal-Fuel Intake Tube
180	494406	Tank Assembly-Fuel		262760	Spring-Gov. Used on Type No. 3610.	634	281080	Seal-Throttle Shaft
181	298425	Cap-Fuel Tank	387	494408	Primer Bulb Assy.	670	94047	Spacer-Fuel Tank Used on Engines Without Band Brake.
187	493981	Pipe Assy.- Fuel Pick-up					Note: 94038	Spacer-Fuel Tank Used on Engines With Band Brake.
188	94102	Screw-Fuel Tank and Starter Mounting						

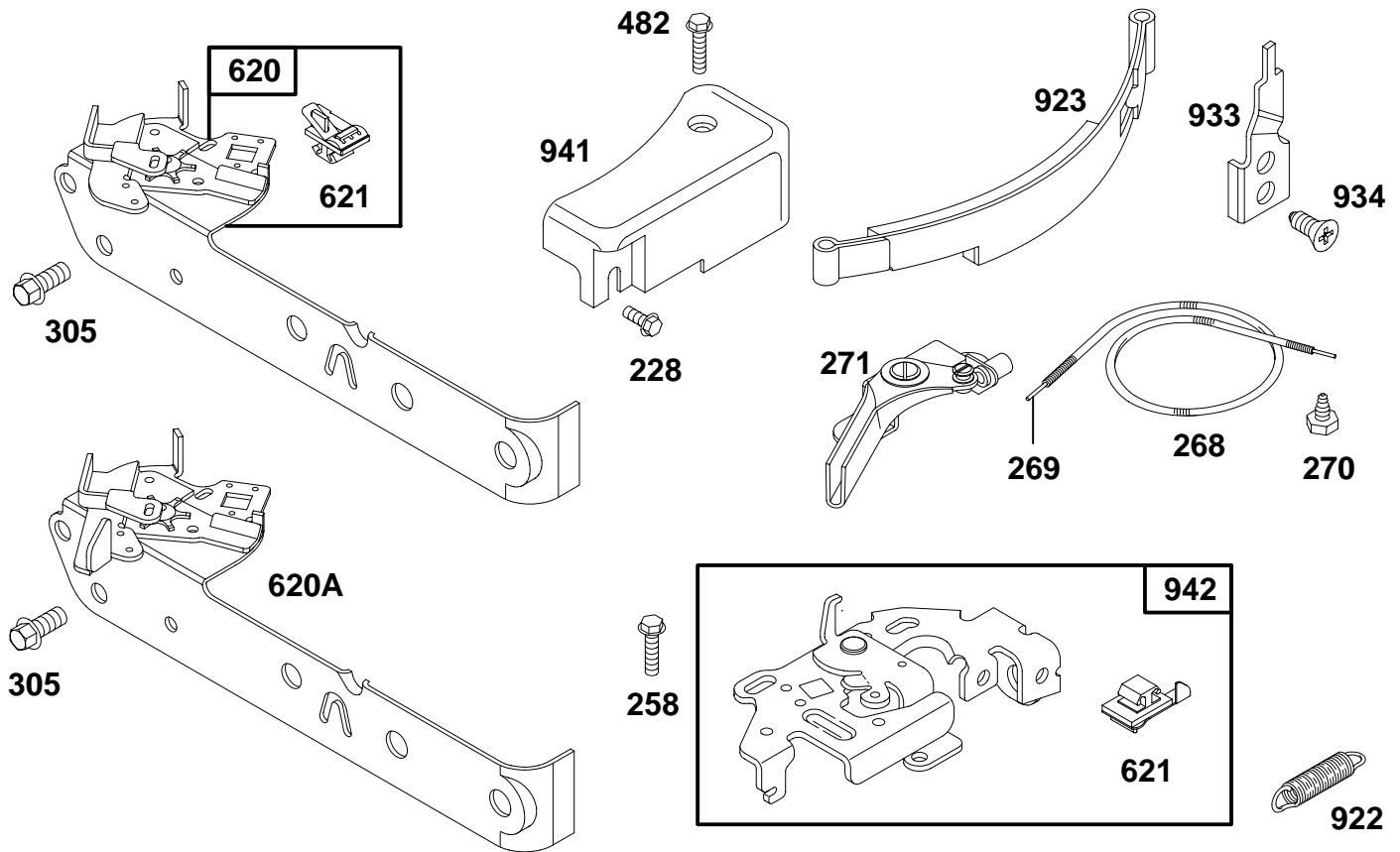
* Included in Gasket Set-Part No. 298989.

93900 to 93999



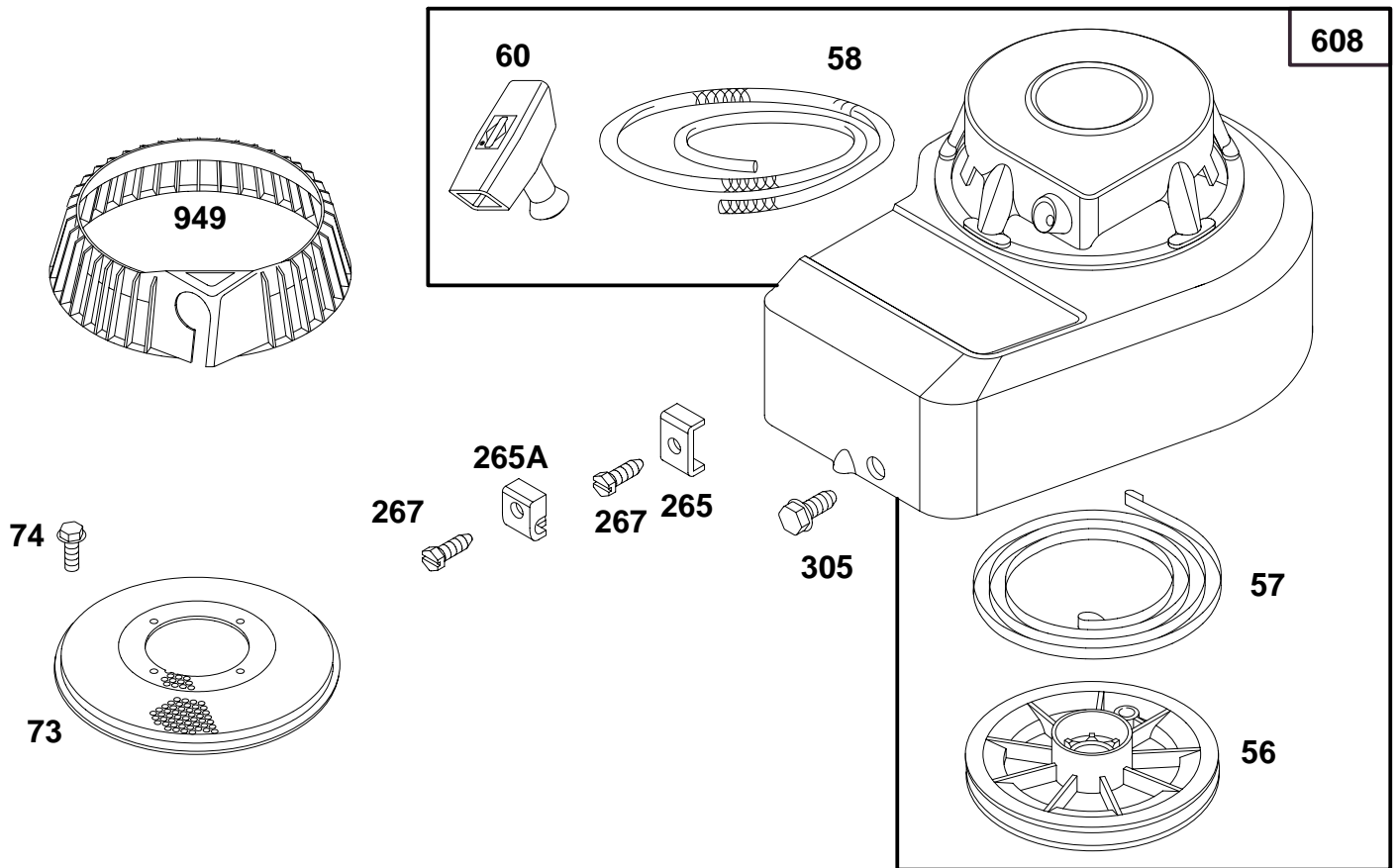
REF. NO.	PART NO.	DESCRIPTION	REF. NO.	PART NO.	DESCRIPTION	REF. NO.	PART NO.	DESCRIPTION
81	223256	Lock-Muffler Screw	346A	93705	Screw-Hex. Hd.	643	280972	Cup-Air Cleaner
300	394644	Muffler-Exhaust	534	93865	Screw-Air Cleaner	832	494896	Guard-Muffler
300A	394569	Muffler-Exhaust (Lo-Tone)	535	272235	Element-Air Cleaner	832A	493967	Guard-Muffler
346	94602	Screw-Hex. Washer Head	536	493492	Cleaner Assembly-Air	988	223600	Bracket-Muffler
			613	93935	Screw-Muffler Mtg.			

93900 to 93999



REF. NO.	PART NO.	DESCRIPTION	REF. NO.	PART NO.	DESCRIPTION	REF. NO.	PART NO.	DESCRIPTION
228	93758	Screw-Hex. Head			Needed, Order No.	620A	494631	Plate-Carb.
258	94018	Screw-Sem (Bracket to Cylinder)			26099 and Cut to Required Length.			Control (Used After Code Date 91051200).
268	66986	Casing-Control Wire (48" Long)	270	63426	Locknut-Control Wire Casing			Note: 494261 Plate-Carb. Control (Used Before Code Date 91051300).
		Note: If Longer Casing is Needed, Specify Length in Inches; if a Shorter Casing is Needed Order No. 66986 and Cut to Required Length.	271	290568	Lever Assembly Control	621	396847	Switch-Stop
269	26099	Wire Control (54" Long)	305	94153	Screw-Blower Housing Mounting Sem	922	261647	Spring-Band Brake
		Note: If Longer Wire is Needed, Specify Length in Inches; if a Shorter Wire is	482	93621	Screw-Sem	923	394867	Brake Assembly-Band
			620	494629	Plate-Carburetor Control	933	223448	Pivot-Band Brake
					Note: 494630 Plate-Carb. Control Used on Type Nos. 3601, 3610, 3612.	934	94037	Screw-Band Brake Pivot
						941	280395	Cover-Linkage
						942	493248	Bracket Assy.- and Lever

93900 to 93999



REF. NO.	PART NO.	DESCRIPTION	REF. NO.	PART NO.	DESCRIPTION	REF. NO.	PART NO.	DESCRIPTION
56	280439	Pulley—Rewind Starter	265A	213146	Clamp—Casing			494402 Starter Assy.— Rewind (12 o'clock) Used on Type Nos. 3612, 3615.
57	490179	Spring—Rewind Starter	267	93469	Screw—Clamp Mtg.			494456 Starter Assy.— Rewind (8 o'clock) Used on Type No. 3610.
58	280406	Rope—Rewind Starter (81" Long) (For Intermediate Lengths, Cut to Required Size). Note: If Longer Rope is Needed, Order No. 280399 and Cut to Required Length.	305	94153	Screw—Blower Housing Mounting Sem	949	281192	Guard—Rewind Starter (Used After Code Date 91080400). Note: 280684 Guard— Rewind Starter (Used Before Code Date 91080500).
60	393152	Grip—Starter Rope	608	494291	Starter Assy.— Rewind (6 o'clock) Note: 494143 Starter Assy.— Rewind (4 o'clock) Used on Type No. 0612.			
73	221661	Screen—Rewind Starter			494236 Starter Assy.— Rewind (6 o'clock) Used on Type Nos. 0601, 0611.			
74	93758	Screw—Sem						
265	22372	Clamp—Casing						

93900 to 93999

REF. NO.	PART NO.	DESCRIPTION	REF. NO.	PART NO.	DESCRIPTION	REF. NO.	PART NO.	DESCRIPTION
16	397218	Crankshaft Note: To Replace Crankshaft Gear Pin, Order Part No. 230978 . 492086 Crankshaft Used on Type Nos. 0612, 3610, 3611,			3612, 3613. 492748 Crankshaft Used on Type Nos. 0601, 0611, 3601. <hr/> 494564 Crankshaft (Used After Code Date 91063000).			493846 Crankshaft (Used Before Code Date 91070100). Used on Type No. 3615.