



**93300**

# Illustrated Parts List

## Model Series

### 93300

#### TYPE NUMBERS

0002, 0016, 0017, 0022, 0035,  
0036, 0040, 0049, 0100, 0110,  
0113, 0114, 0115, 0116, 0117,  
0119, 0121, 0122, 0123, 0128,  
0129, 0130, 0131, 0132, 0139,  
0140, 0142, 0143, 0144.

#### TABLE OF CONTENTS

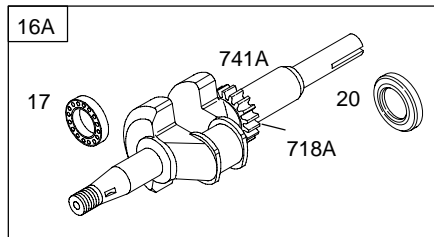
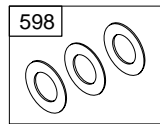
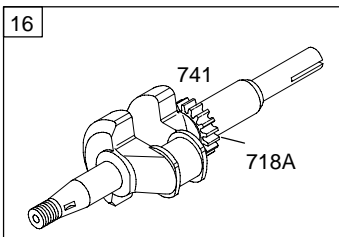
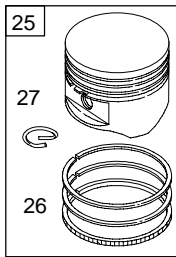
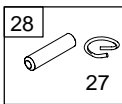
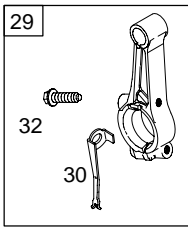
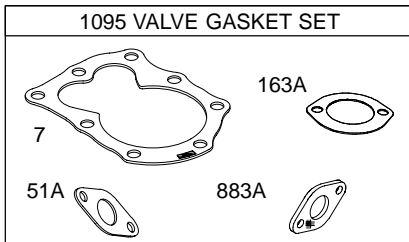
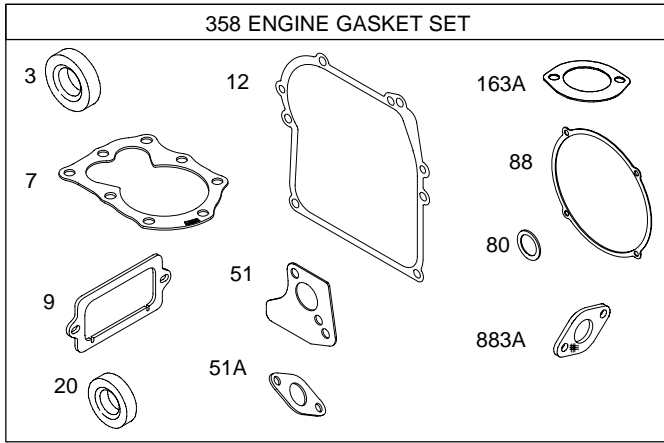
Air Cleaner .....	6
Blower Housing .....	7
Camshaft .....	2
Carburetor .....	4
Controls .....	5
Crankcase Cover .....	3
Crankshaft .....	2
Cylinder, Valves .....	2
Cylinder Head .....	2
Exhaust System .....	6
Flywheel .....	7
Fuel Supply .....	4
Gasket Set-Engine .....	2
Gasket Set-Valve .....	2
Gear Reduction .....	3
Governor Spring .....	5
Ignition .....	5
Kits-Carburetor Overhaul .....	4
Piston, Rings, Connecting Rod .....	2
Rewind Starter .....	7

PRINTED IN U.S.A.



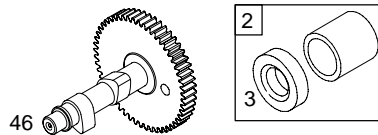
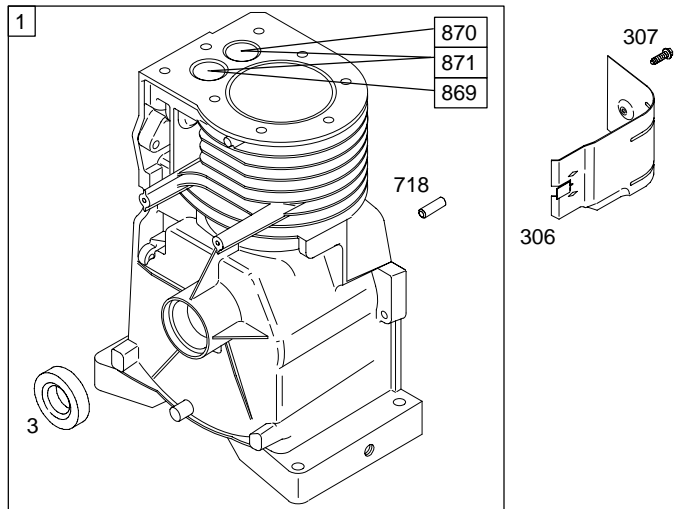
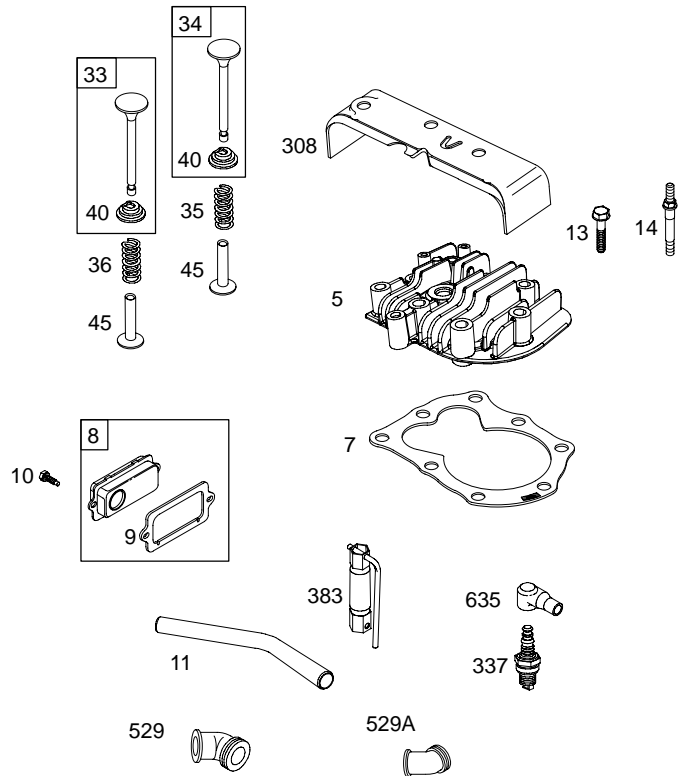
COPYRIGHT by BRIGGS & STRATTON CORPORATION  
All rights reserved. No part of this material may be reproduced or transmitted,  
in any form or by any means, electronic or mechanical, including photocopying,  
recording or by any information storage and retrieval system, without permission  
in writing from Briggs & Stratton Corporation.

**93300**

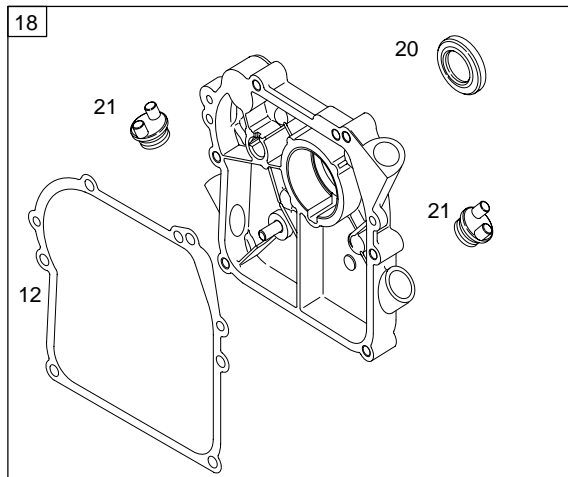


**1058 OPERATOR'S MANUAL**

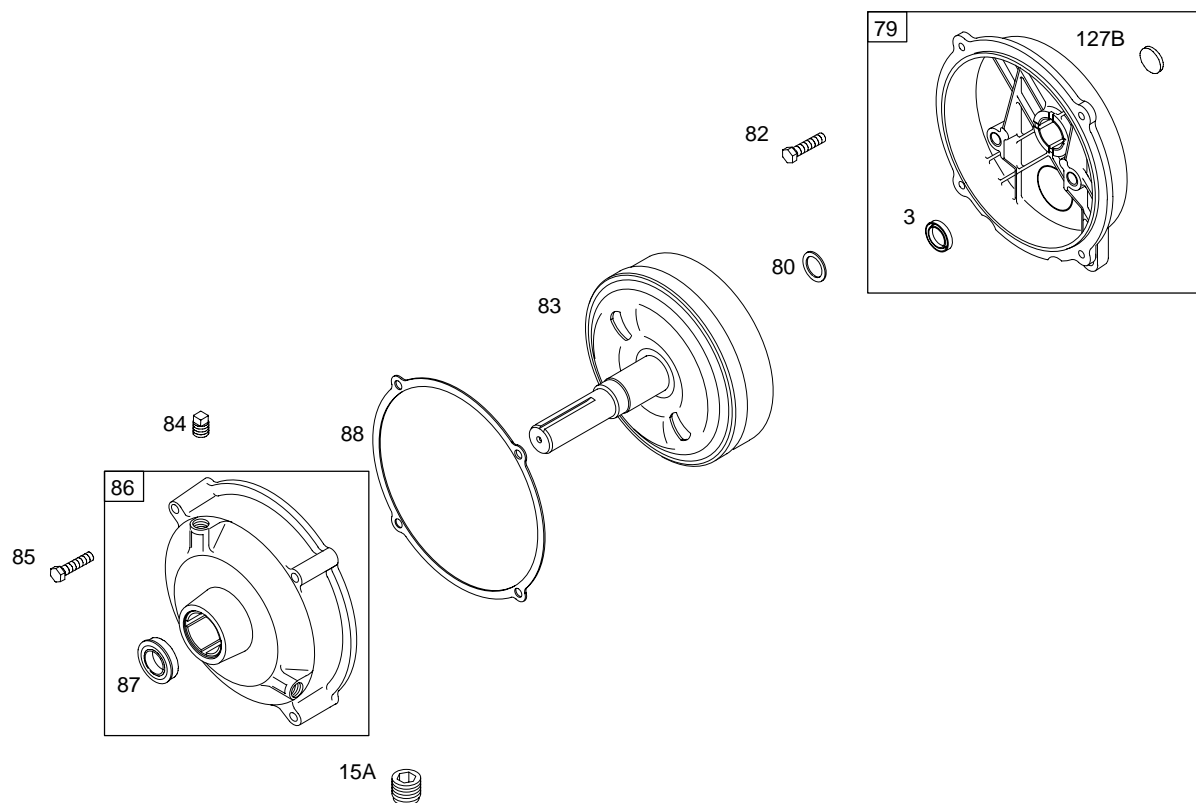
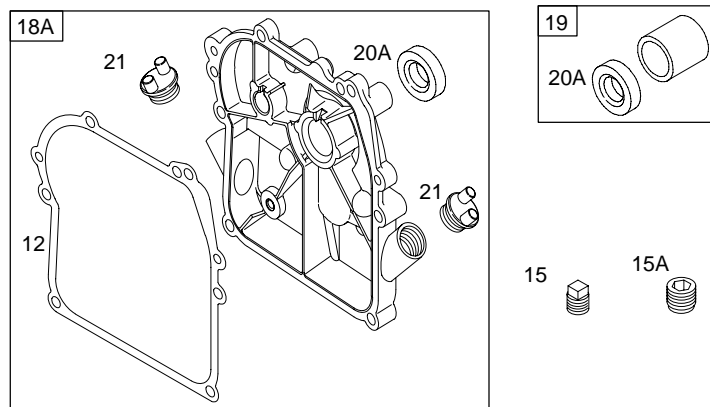
**1330 REPAIR MANUAL**



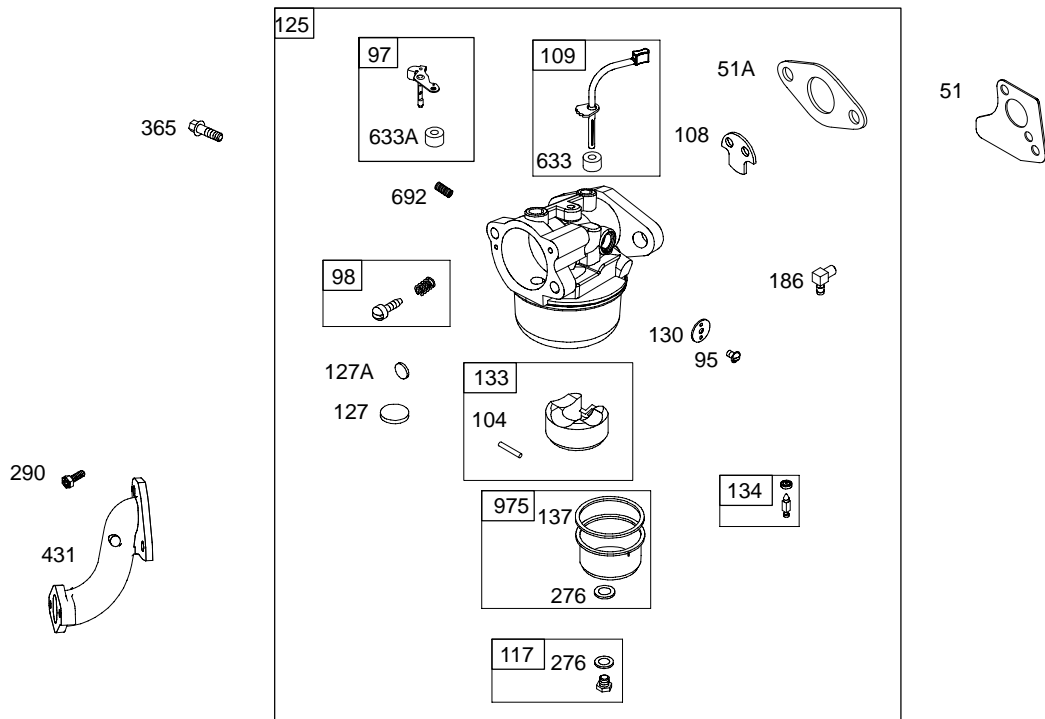
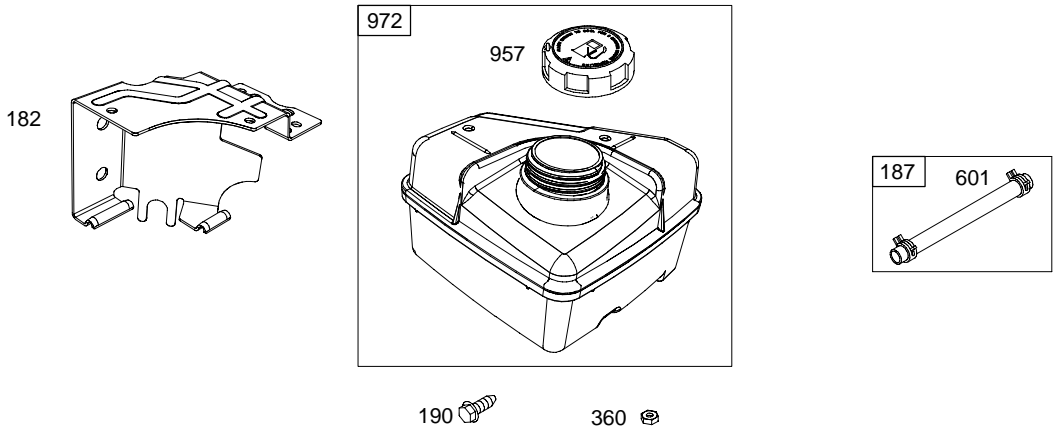
**BALL BEARING COVER**



**PLAIN BEARING COVER**

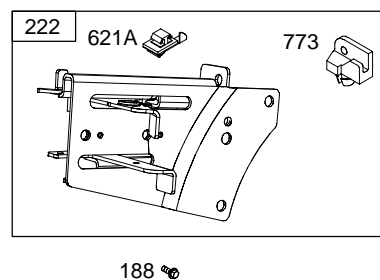
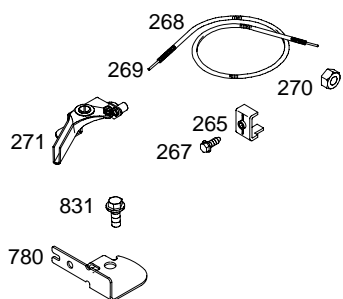
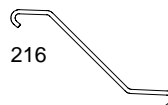
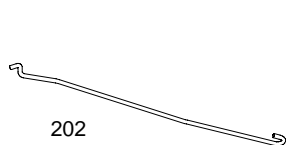
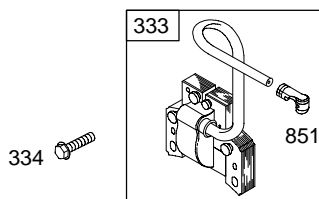
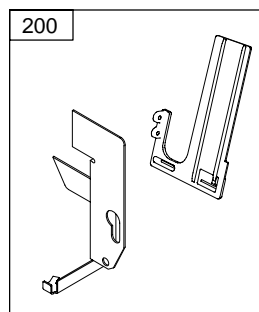
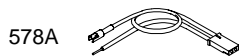


# 93300

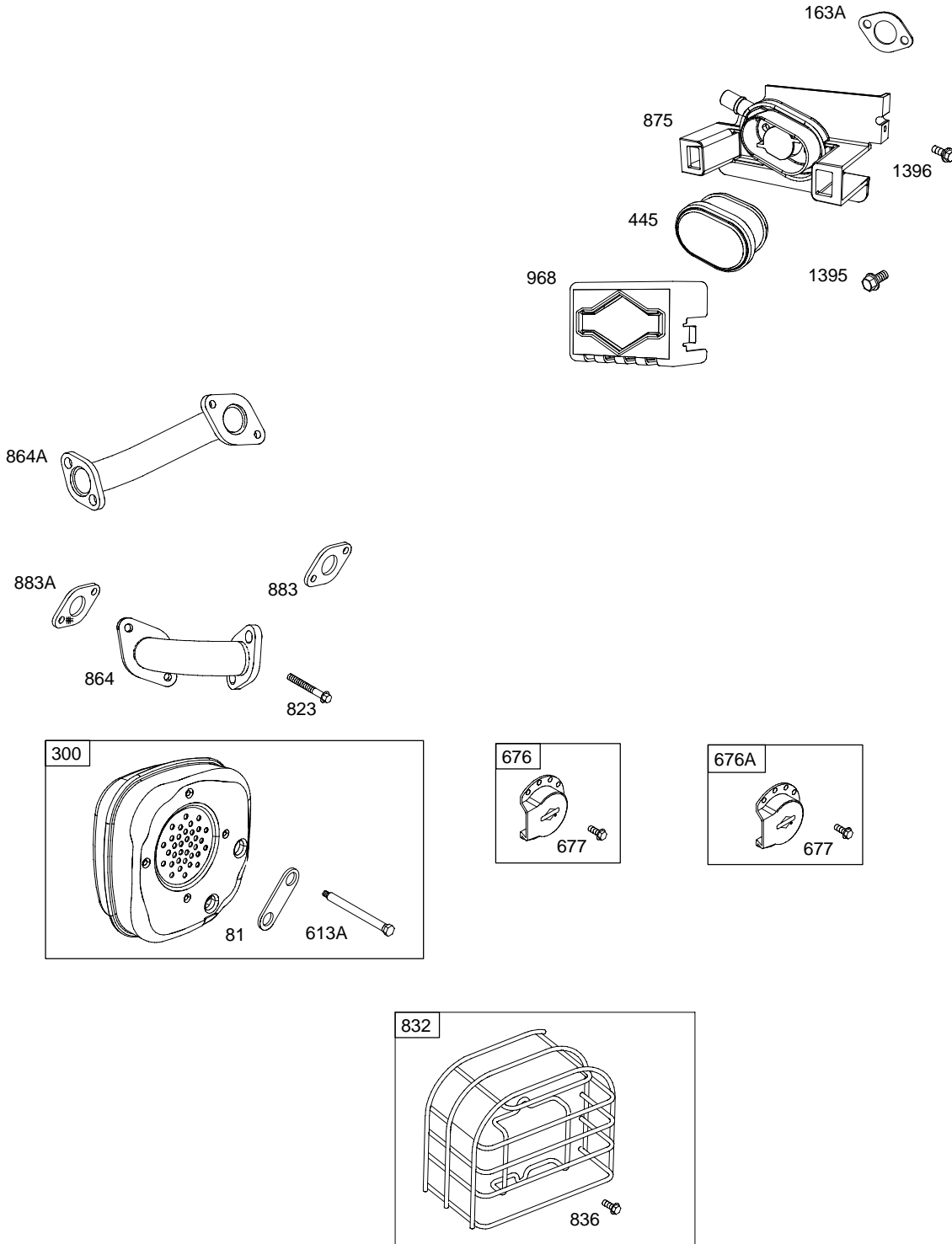


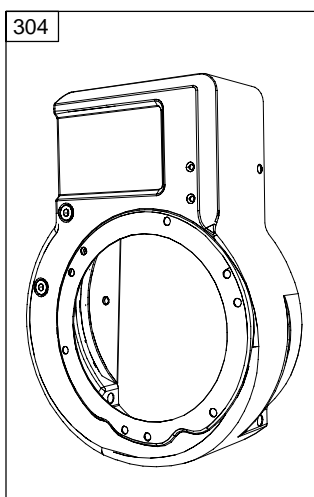
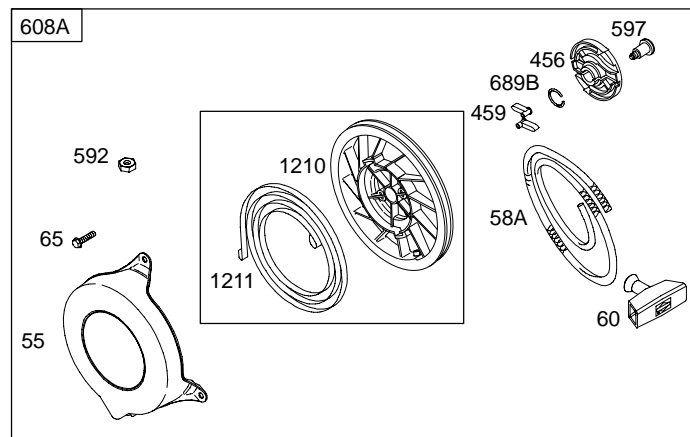
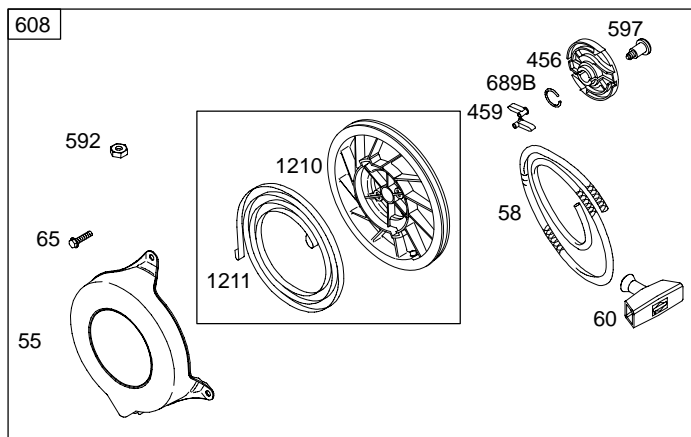
977 CARBURETOR GASKET SET			
137	276	633	
	163A	633A	

121 CARBURETOR OVERHAUL KIT			
51	127	137	276
51A	127A	163A	633
104	134		633A



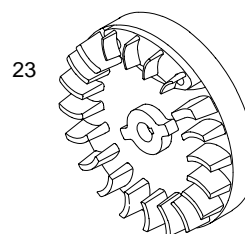
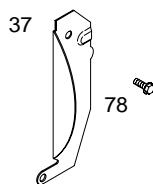
# 93300



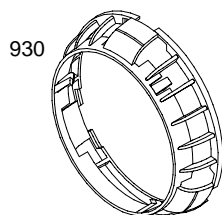
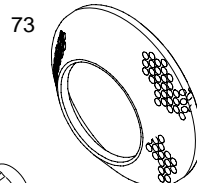
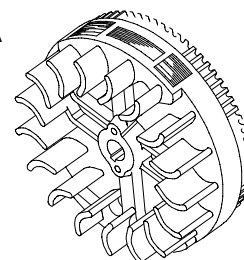


1019 LABEL KIT

1036 EMISSIONS LABEL



23A







**93300**

REF. NO.	PART NO.	DESCRIPTION	REF. NO.	PART NO.	DESCRIPTION	REF. NO.	PART NO.	DESCRIPTION
27	691588	Lock-Piston Pin	60	691915	Grip-Starter Rope	87	691582	Seal-Gear Reduction
28	699659	Pin-Piston (Standard) (Used After Code Date 05051800).	65	690837	Screw (Rewind Starter)			Used on Type No(s). 0049, 0117, 0123, 0130, 0139.
		----- <b>Note</b> -----	73	699850	Screen-Rotating	88	691600	Gasket-Gear Reduction Cover
	298909	Pin-Piston (Standard) (Used Before Code Date 05051900).	78	690364	Screw (Flywheel Guard)			Used on Type No(s). 0049, 0117, 0123, 0130, 0139.
	298908	Pin-Piston (.005" Oversize) (Used Before Code Date 05051900).	79	690605	Case-Gear Reduction Used on Type No(s). 0049, 0117, 0123 0130, 0139.	95	691636	Screw (Throttle Valve)
29	699655	Rod-Connecting (Standard) (Used After Code Date 05051800).	80	691602	Gasket-Gear Case Used on Type No(s). 0049, 0117, 0123 0130, 0139.	97	790270	Shaft-Throttle
		----- <b>Note</b> -----	81	691729	Lock-Muffler Screw	98	398185	Kit-Idle Speed
	294367	Rod-Connecting (Standard) (Used Before Code Date 05051900).	82	690369	Screw (Gear Reduction Case) (7/8" Long) Used on Type No(s). 0049, 0117, 0123, 0130, 0139.	104	691242	Pin-Float Hinge
30	691719	Dipper-Connecting Rod			----- <b>Note</b> -----	108	692567	Valve-Choke
32	691664	Screw (Connecting Rod)			699164	109	790307	Shaft-Choke
33	296676	Valve-Exhaust			Screw (Gear Reduction Case) (1 1/2" Long)	117	494870	Jet-Main (Standard)
34	296677	Valve-Intake	83	690374	Shaft-Auxiliary Drive Used on Type No(s). 0049, 0117, 0123, 0130, 0139.	121	695157	Kit-Carburetor Overhaul
35	690520	Spring-Valve (Intake)				125	790268	Carburetor
36	690520	Spring-Valve (Exhaust)				127	691739	Plug-Welch (5/16" Diameter)
37	690463	Guard-Flywheel	84	691121	Plug-Breather Used on Type No(s). 0049, 0117, 0123, 0130, 0139.	127A	694468	Plug-Welch (3/8" Diameter)
40	692194	Retainer-Valve				127B	691585	Plug-Welch (Gear Reduction Case) Used on Type No(s). 0049, 0117, 0123, 0130, 0139.
45	691762	Tappet-Valve	85	692551	Screw (Gear Cover to Gear Reduction Case) Used on Type No(s). 0049, 0117, 0123, 0130, 0139.	130	691181	Valve-Throttle
46	691998	Camshaft				133	398187	Float-Carburetor
51	★Δ273113	Gasket-Intake	86	690608	Cover-Gear Used on Type No(s). 0049, 0117, 0123, 0130, 0139.	134	398188	Kit-Needle/Seat
51A	692283	Gasket-Intake				137	693981	Gasket-Float Bowl
54	691688	Screw (Intake Manifold)				149	691592	Spring-Needle Valve
55	692144	Housing-Rewind Starter				153	490501	Kit-Collar/Screw
58	691921	Rope-Starter (70" Long)				163A	★272948	Gasket-Air Cleaner
58A	697316	Rope-Starter (88 5/8" Long)				182	790174	Bracket-Fuel Tank
						186	692317	Connector-Hose
						187	791766	Line-Fuel (Used After Code Date 05063000).
								----- <b>Note</b> -----
								691050 Line-Fuel (Used Before Code Date 05070100).
						188	691637	Screw (Control Bracket)

★ Engine Gasket Set-Reference 358  
● Carburetor Overhaul Kit-Reference 121

◆ Carburetor Gasket Set-Reference 977  
Δ Valve Gasket Set-Reference 1095

**93300**

REF. NO.	PART NO.	DESCRIPTION	REF. NO.	PART NO.	DESCRIPTION	REF. NO.	PART NO.	DESCRIPTION
190	690708	Screw (Fuel Tank)	306	690461	Shield-Cylinder	608	690101	Starter-Rewind (70" Rope)
200	790167	Blade-Governor	307	691660	Screw (Cylinder Shield)	608A	499706	Starter-Rewind (88 5/8" Rope)
202	790168	Link-Mechanical Governor	308	690462	Cover-Cylinder Head			Used on Type No(s). 0122, 0140.
209	790356	Spring-Governor (White) Used on Type No(s). 0002, 0016, 0017, 0035, 0049, 0100, 0119, 0122, 0129 0130, 0139. ----- <b>Note</b> ----- 790309 Spring- Governor (Red) Used on Type No(s). 0022, 0110, 0113, 0114, 0117, 0142, 0143, 0144. 790357 Spring- Governor (Yellow) Used on Type No(s). 0036, 0040, 0116, 0128, 0131, 0132. 790355 Spring- Governor (Green) Used on Type No(s). 0115, 0121, 0123 0140.	332	690662	Nut (Flywheel)	613A	691413	Screw (Muffler) (1/2" Long)
			333	496914	Armature-Magneto	621A	692310	Switch-Stop
			334	691061	Screw (Magneto Armature)	633	693867	Seal-Choke/Throttle Shaft (Choke)
			337	802592	Plug-Spark ----- <b>Note</b> ----- 697451 Plug-Spark Used on Type No(s). 0115.	633A	691321	Seal-Choke/Throttle Shaft (Throttle)
			356	692390	Wire-Stop Used on Type No(s). 0110, 0113, 0114, 0116, 0121, 0131, 0132.	635	66538	Boot-Spark Plug
			357	692191	Key-Drive Pulley Used on Type No(s). 0121.	676	393757	Deflector-Muffler
			358	496865	Gasket Set-Engine	676A	494423	Deflector-Muffler Used on Type No(s). 0110, 0113, 0114, 0115, 0117, 0119, 0129, 0131, 0132, 0139, 0140, 0142, 0143.
			360	691105	Nut (Fuel Tank Bracket)	677	690661	Screw (Muffler Deflector)
			363	19069	Puller-Flywheel	689B	691855	Spring-Friction (Rewind Starter)
			365	690953	Screw (Carburetor)	692	690572	Spring-Detent
			383	89838	Wrench-Spark Plug	718	690959	Pin-Locating (Cylinder)
			431	790170	Elbow-Intake	718A	499047	Pin-Locating (Crankshaft)
			445	790166	Filter-Air Cleaner Cartridge	741	791124	Gear-Timing (Non Ball Bearing Crankshafts)
			455	691236	Cup-Flywheel	741A	691805	Gear-Timing (Ball Bearing Crankshafts)
			456	692299	Plate-Pawl Friction	773	697325	Retainer
			459	281505	Pawl-Ratchet	780	691211	Anchor-Spring
			529	*692189	Grommet (90 Degree)	823	699554	Screw (Muffler) (5/8" Long)
			529A	*692187	Grommet (45 Degree)	831	691099	Screw (Spring Anchor)
			578A	696031	Wire Assembly	832	791267	Guard-Muffler Used on Type No(s). 0122, 0140.
			592	690800	Nut (Rewind Starter)	836	690367	Screw (Muffler Guard) Used on Type No(s). 0122, 0140.
			597	691696	Screw (Pawl Friction Plate)			
			598	791387	Shim-Endplay (Used After Code Date 05013000). (For Pump Applicatons Only)			
			601	95162	Clamp-Hose			
211	790308	Spring-Governed Idle						
216	790271	Link-Choke						
222	790164	Bracket-Control						
265	691024	Clamp-Casing						
267	693675	Screw (Casing Clamp)						
268	691025	Casing-Control Wire (Cut To Required Length)						
269	691026	Wire-Control (Cut To Required Length)						
270	691027	Nut (Control Wire Casing)						
271	691028	Lever-Control						
276	271716	Washer-Sealing						
300	790272	Muffler ----- <b>Note</b> ----- 791321 Muffler Used on Type No(s). 0116, 0128, 0132						
304	790165	Housing-Blower						
305	692198	Screw (Blower Housing)						

★ Engine Gasket Set Reference 358  
● Carburetor Overhaul Kit-Reference 121

◆ Carburetor Gasket Set-Reference 977  
△ Valve Gasket Set-Reference 1095

**93300**

REF. NO.	PART NO.	DESCRIPTION	REF. NO.	PART NO.	DESCRIPTION	REF. NO.	PART NO.	DESCRIPTION
851	493880	Terminal-Spark Plug	883	691881	Gasket-Exhaust (Between Adapter and Muffler)	1058	276346	Operator's Manual
864	790273	Adapter-Muffler				1095	498525	Gasket Set-Valve
864A	791126	Adapter-Muffler Used on Type No(s). 0116, 0128, 0132.	883A	*691880	Gasket-Exhaust (Between Adapter and Cylinder)	1210	499901	Pulley/Spring Assembly (Pulley)
869	691701	Seat-Valve (Intake)	930	691348	Guard-Rewind Used on Type No(s). 0121, 0122, 0143.	1211	499901	Pulley/Spring Assembly (Spring)
870	691702	Seat-Valve (Exhaust)	957	493988	Cap-Fuel Tank	1330	270962	Repair Manual
871	262001	Bushing-Valve Guide (Exhaust) ----- Note ----- 63709 Bushing-Valve Guide (Intake)	968	790172	Cover-Air Cleaner	1395	692523	Screw (Air Cleaner Base)
875	790171	Base-Air Cleaner	972	790173	Tank-Fuel	1396	691082	Screw (Remote Throttle Cable)
			975	493640	Bowl-Float			Used on Type No(s). 0110, 0113, 0114.
			977	695156	Gasket Set-Carburetor			
			1019	699456	Kit-Label			
			1036		Label-Emissions (Available from Authorized Briggs & Stratton Service Dealer)			

★ Engine Gasket Set-Reference 358  
● Carburetor Overhaul Kit-Reference 121

◆ Carburetor Gasket Set-Reference 977  
△ Valve Gasket Set-Reference 1095