

80300 to 80399

Illustrated Parts List

Model Series

80300 to 80399

TYPE NUMBERS
1511 through 1549
1611 through 1663
1691 through 1696
4001, 4011, 4015,
4024, 4035, 4036,
4037, 4049.

**TO FIND
THE CORRECT NUMBER OF THE PART YOU NEED:
FOLLOW THE INSTRUCTIONS BELOW**

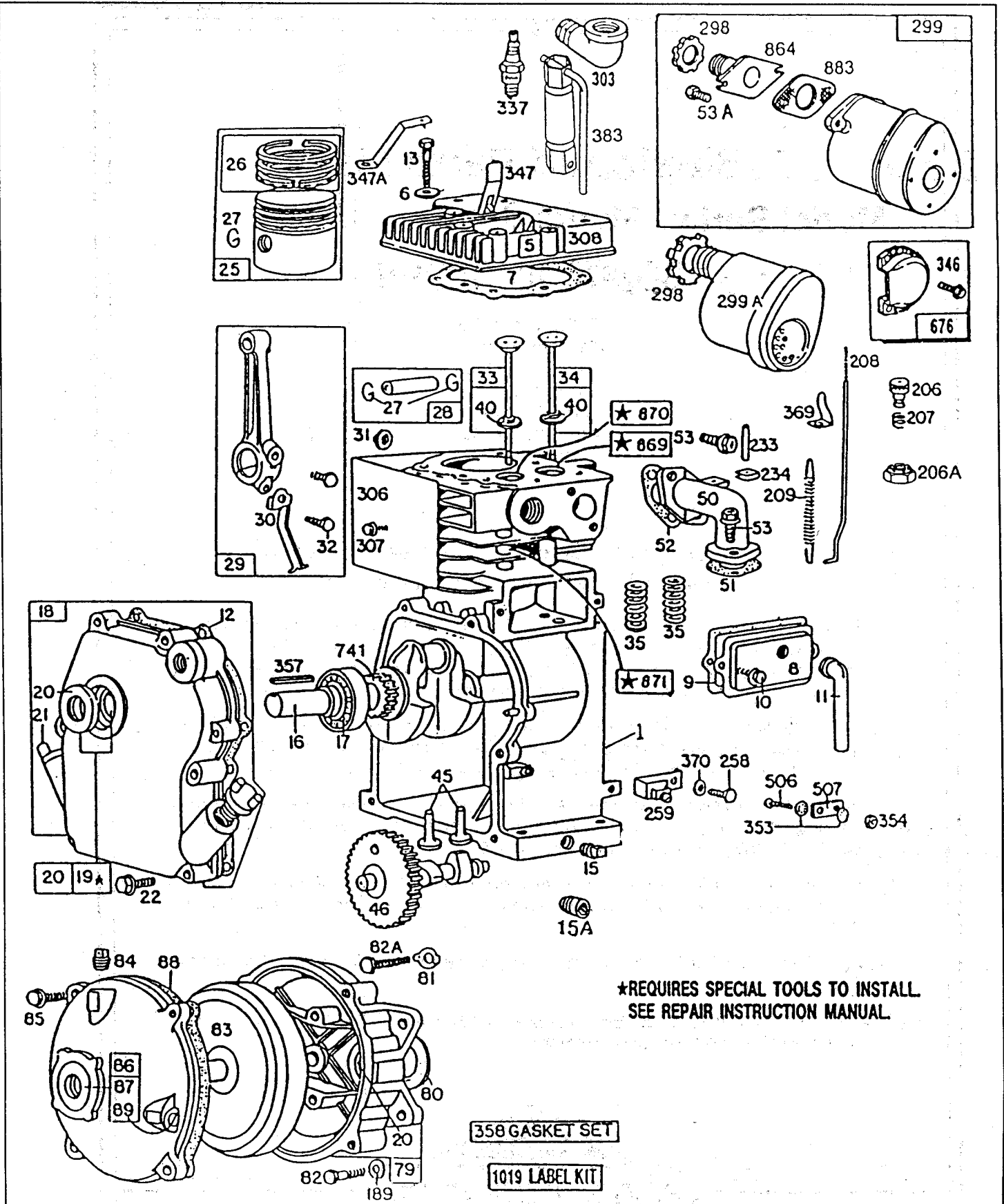
- A. Refer to Engine Model, Type and Code Number that is stamped on the blower housing of engine. Engine type numbers such as 0123 01 are listed only as 0123 in most instances. The two digits (01 or 02, etc.) to the right of the space may be required for more accurate parts identification in some instances. Select the Illustrated Parts List covering the correct Model Series and Type Number.
- B. Refer to the Illustrations and compare the original part with Illustration. The number next to the illustration is the Reference Number. Assemblies include all parts shown in frames. All parts shown in assembly frames having individual reference numbers can be purchased separately.
- C. After the Reference Number has been identified, refer to the Numerical text, where Reference and Primary Part Number are listed. **THE PRIMARY PART IS USED ON ALL TYPE NUMBERS EXCEPT THOSE TYPE NUMBERS UNDER "NOTE."**
- D. If a "Note" appears below the Primary Part Number, it means that this part differs from the Primary Part for certain types. If your Type number is listed under "Note," order the part referred to at the "Note."
- E. If your Engine Type Number does not appear after any part number listed under "Note," use the Primary Part Number.
- F. For Engine Type Numbers not covered by this book, check other Parts Lists having the same engine model or contact your source of supply.

PRINTED IN U.S.A.

COPYRIGHT©

BRIGGS & STRATTON

80300 to 80399

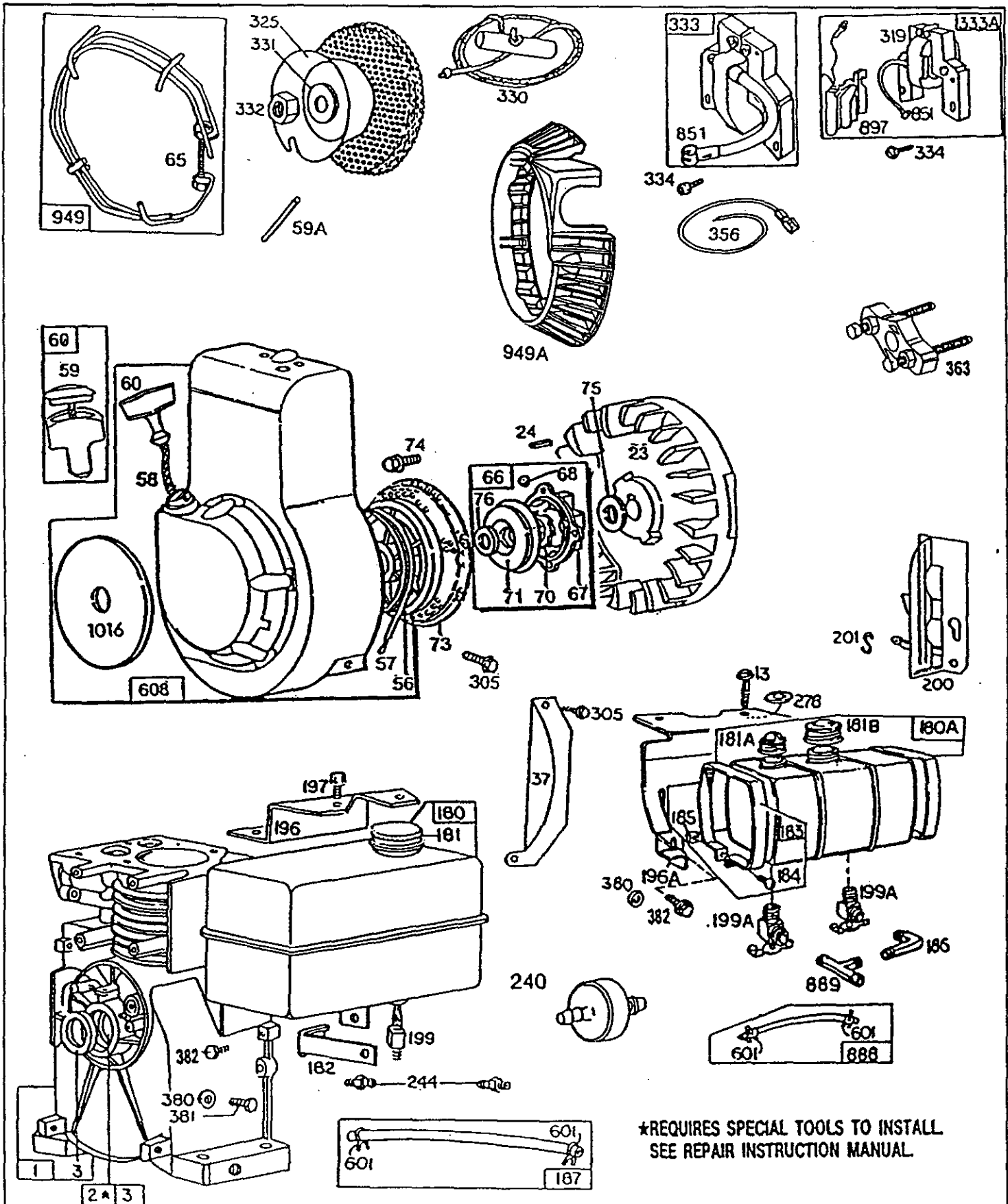


*REQUIRES SPECIAL TOOLS TO INSTALL.
SEE REPAIR INSTRUCTION MANUAL.

358 GASKET SET

1019 LABEL KIT

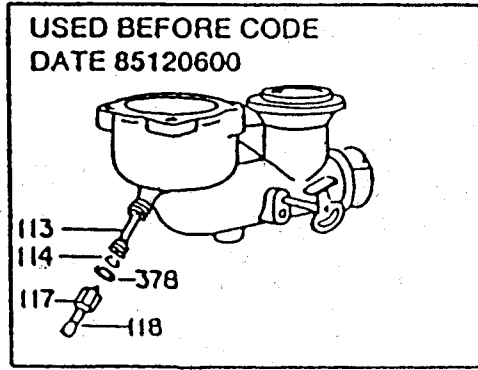
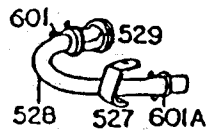
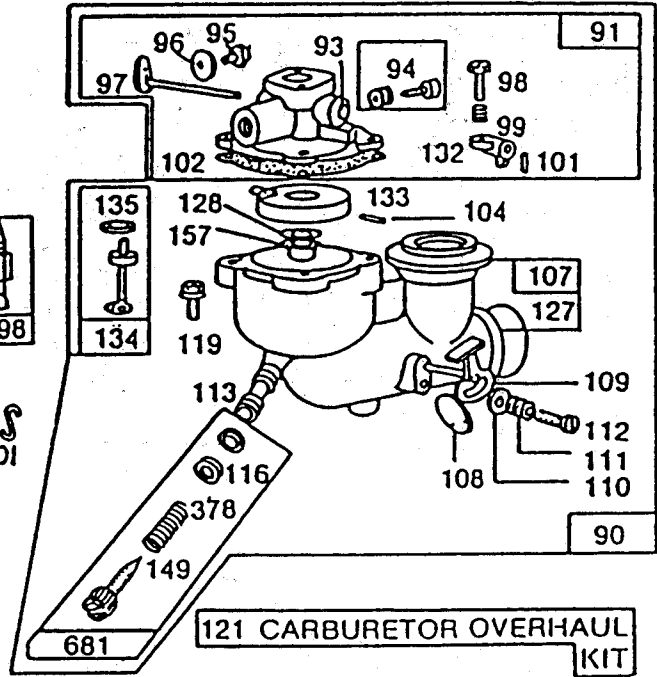
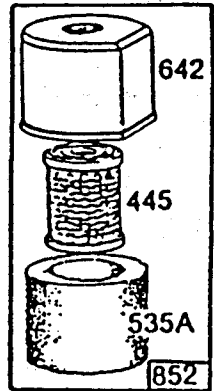
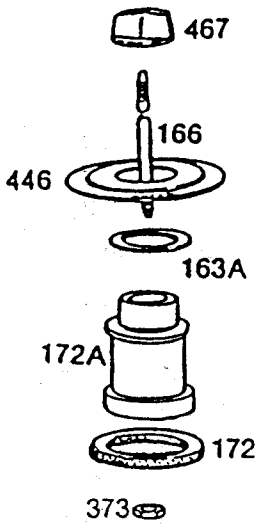
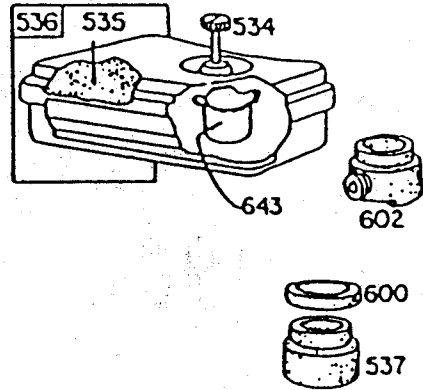
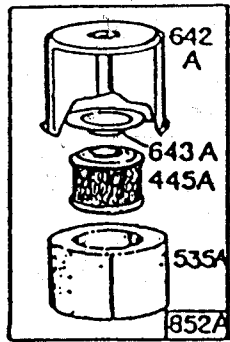
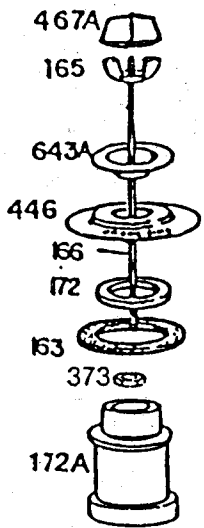
80300 to 80399



8179-3

Assemblies include all parts shown in frames.

91



80300 to 80399

REF. NO.	PART NO.	DESCRIPTION	REF. NO.	PART NO.	DESCRIPTION	REF. NO.	PART NO.	DESCRIPTION	
	294225	Ring Set (.020" O.S.)		Note: 262750	Spring- Exhaust Valve (Used After Code Date 90051300).	58	66734	Rope-Starter (48-5/8" Long)	
	294226	Ring Set (.030" O.S.)		26826	Spring- Exhaust Valve (Used Before Code Date 90051400). Used on Type Nos. 1524, 1525, 1527, 1535, 1537, 1548, 1549, 1635, 1647, 1648, 1653, 1654.		Note: 280406	Rope-Rewind Starter (81" Long) Cut to Required Length; If Longer Rope is Needed Order Part No. 280399 and Cut to Required Length.	
27	26026	Lock-Piston Pin	37	220971	Guard-Flywheel	59	396892	Grip-Starter Rope	
28	298909	Pin-Piston (Standard)	40	93312	Retainer-Valve Spring Used on Valves With Groove in Stem.	59A	230228	Pin-Starter Grip	
	298908	Pin-Piston (.005" O.S.)		Note: 23184	Retainer-Valve Spring 23187 Pin-Valve Spring Retainer Used on Valves With Hole in Stem Except Those With Rotocap.	60	393152	Grip-Starter Rope	
29	294367	Rod-Connecting Note: 296079 Rod-Conn. (.020" Undersize)		491442	Rotocap Assy. (Used After Code Date 90051300).	65	94124	Screw-Guard Retaining	
30	220670	Dipper-Connecting Rod		292259	Rotocap- Exhaust Valve	66	399671	Clutch-Starter	
31	222282	Washer-Flat		230126	Pin-Valve Spring Retainer	67	394897	Housing-Starter Clutch	
32	94404	Screw-Connecting Rod		230127	Retainer- Spring (Used Before Code Date 90051400). Used on Type Nos. 1524, 1525, 1527, 1535, 1537, 1548, 1549, 1635, 1647, 1648, 1653, 1654.	68	63770	Ball-Clutch	
33	296676	Valve-Exhaust (Grooved Stem- Includes Retainer No. 93312) Note: 262581 Valve-Exhaust (Used After Code Date 90051300). 260442 Valve-Exhaust (With Hole in Stem) For Pins and Retainers For This Valve, See Note Under Reference No. 40. (Used Before Code Date 90051400). Used on Type Nos. 1524, 1525, 1527, 1535, 1537, 1548, 1549, 1647, 1648, 1653, 1654.		45	230173	Tappet-Valve	70	298799	Ratchet-Rewind Starter
		262580 Valve-Exhaust (Used After Code Date 90051300). 260443 Valve-Exhaust (Cobalite®) (With Hole in Stem) For Pins and Retainers For This Valve See Note Under Reference No. 40. (Used Before Code Date 90051400). Used on Type Nos. 1536, 1635.		46	491676	Gear-Cam	71	394506	Washer-Clutch Retainer
34	296677	Valve-Intake		50	210810	Elbow-Intake	73	221661	Screen-Rotating
35	260552	Spring-Valve		51	★68987	Gasket-Carb. Mtg.	74	93490	Screw-Sem
				52	★27355	Gasket-Intake Elbow	75	224061	Washer-Spring
				53	94442	Screw-Sem	76	68238	Washer-Ratchet Sealing
				53A	94523	Screw-Muffler	79	290779	Case Assembly-Gear
				56	280439	Pulley-Rewind Starter	80	27667	Gasket-Gear Case
				57	490179	Spring-Rewind Starter	81	220234	Lock-Screw
							82	91541	Screw-Cap, Hex. Hd. (7/8" Long)
							82A	92279	Screw-Cap, Hex. Hd. (1-1/2" Long)
							83	211293	Shaft Assembly-Drive
							84	92617	Plug-Breather
							85	92747	Screw-Sem
							86	291730	Cover-Gear Case
							87	19011	Seal-Oil
							88	27313	Gasket-Case Cover
							89	93448	Plug-Oil Drain
							90	295607	Carburetor (Manual Choke) Note: 295560 Carburetor (Gasoline-Kerosene) Used on Type No. 1650.
							91	295608	Housing Assy.-Throttle
							93	23230	Bushing-Throttle Shaft
							94	★292681	Valve Assy.-Carb. Idle
							95	93499	Screw-Sem
							96	22036	Valve-Throttle
							97	295436	Shaft-Throttle

* Included in Gasket Set-
Part No. 397144.

● Included in Carburetor Kit-
See Ref. 121.

80300 to 80399

REF. NO.	PART NO.	DESCRIPTION	REF. NO.	PART NO.	DESCRIPTION	REF. NO.	PART NO.	DESCRIPTION
98	91920	ScrewFill. Head	135	68877	Gasket-Fuel Inlet Valve Seat			Used on Gear Reduction. 12 o'clock Position.
99	●26157	Spring-Idle Valve	149	261357	Spring-Needle Valve (Used After Code Date 85120500).	189	90366	Washer-Lock
101	93043	Pin-Throttle Lever	157	27840	Gasket-Venturi	196	220369	Support-Fuel Tank
102	●27917	Gasket-Carb. Body	163	*271042	Gasket-Air Cleaner Mounting		Note: 220358	Support-Fuel Tank
104	●23114	Pin-Float Hinge	163A	271139	Gasket-Air Cleaner			Used on Type Nos. 1511, 1634, 1646, 1652, 1658, 1659, 4011.
107	397870	Body Assy.-Carb. (Used After Code Date 85120500).	165	93856	Nut-Wing			220607 Support-Fuel Tank
	Note: 295617	Body Assy.-Carburetor (Used Before Code Date 85120600).	166	231314	Stud-Air Cleaner (Used After Code Date 83113003).			Used on Type No. 1637.
108	220897	Valve-Choke		Note: 231177	Stud-Air Cleaner (Used Before Code Date 83120103).	196A	222759	Support-Fuel Tank (Kerosene-Gasoline)
109	294874	Shaft-Choke	172	271077	Gasket-Air Cleaner	197	93083	Screw-Tank Mtg. Sem
110	220899	Washer-Choke Lever	172A	280213	Spacer-Air Cleaner	198	293934	Valve-Fuel Shut-Off
111	26229	Spring-Choke Lever	180	292945	Tank Assy.-Fuel (3 Quart)	199	295896	Outlet-Fuel Tank (Includes Strainer)
112	23270	Screw-Choke Lever		Note: 292944	Tank Assy.-Fuel (2 Quart)	199A	392882	Valve-Shut-Off (Kerosene-Gasoline)
113	●231359	Nozzle-Carburetor (Used After Code Date 85120500).	180A	392911	Tank Assembly-Fuel (3 Quart) (Kerosene-Gasoline)	200	490528	Blade-Governor
	Note: ●23222	Nozzle-Carb. (Use Before Code Date 85120600).	181	69221	Cap-Fuel Tank	201	26235	Link-Governor
114	●68887	Packing-Needle Valve (Used Before Code Date 85120600).	181A	392886	Cap-Fuel Tank (Small) (Kerosene-Gasoline)	206	230149	Nut-Control Rod
116	280203	Packing-Needle Valve (Used After Code Date 85120500).	181B	392887	Cap-Fuel Tank (Large) (Kerosene-Gasoline)	206A	93422	Nut-Stop
117	●23227	Nut-Needle Valve Packing (Used Before Code Date 85120600).	182	220195	Bracket-Fuel Tank	207	26855	Spring-Control Rod
118	230005	Valve-Needle (Used Before Code Date 85120600).	183	393181	Strap Assembly (Remote Mount Only)	208	230194	Rod-Control
119	93347	Screw-Throttle Hsg., and Fuel Pump Body Mounting Sem	184	91257	Screw-Fill. Hd.	209	26925	Spring-Governor
121	398992	Carburetor Kit (Used After Code Date 85120500).	185	90970	Nut-Square	233	230253	Stop-Control Rod
	Note: 291691	Carburetor Kit (Used Before Code Date 85120600).	186	67218	Elbow, 90°	234	220730	Clip-Control Rod
127	220352	Plug-Welch	187	296004	Pipe-Fuel (Flexible)	240	298090	Filter-Fuel
128	210811	Venturi-Carburetor		Note: 394302	Line-Fuel (Flexible) (10-3/8" Long)	244	230318	Connector-Pipe
132	61967	Stop-Throttle Lever			Uses:	258	93062	Screw-Sem
133	293477	Float-Carburetor			93807	259	294502	Bracket-Casing
134	●293478	Valve-Float			93807	266	290062	Control-Throttle
						268	66986	Casing-Control Wire (48" Long)
							Note:	If a Longer Casing is Needed, Specify Length in Inches; if a Shorter Casing is Needed Order Part No. 66986 and Cut to Required Length.
						269	26099	Wire-Control (54" Long)
							Note:	If Longer Wire is Needed, Specify Length

* Included in Gasket Set-Part No. 397144.

● Included in Carburetor Kit-See Ref. 121.

REF. NO.	PART NO.	DESCRIPTION	REF. NO.	PART NO.	DESCRIPTION	REF. NO.	PART NO.	DESCRIPTION
		by Inches; if Shorter Wire is Needed Order Part No. 26099 and Cut to Required Length.		Note: 220478 Shield-Cylinder (Used Before Code Date 89102300).		Note: 93065 Key-Woodruff No. 6 Used on Type No. 1632.		
270	63426	Locknut-Casing	307	93758	Screw-Sem	358	397144	Gasket Set
271	290568	Lever Assy.-Control	308	223390	Cover-Cylinder Head	363	19069	Puller-Flywheel
278	220863	Washer (Between Support and Cylinder Head)	319	298502	Armature Assy. (Less Trigger Coil)	369	220705	Spring-Control Friction
298	220859	Locknut-Muffler	325	293959	Pulley-Rope Starter (1/2" Hole in Pulley)	370	66432	Washer-Plain
299	493288	Muffler-Exhaust		Note: For Rope Starter Pulley With Screen With 5/8" Hole in Pulley, Order Part No. 298731 .		373	92987	Nut-Hex.
	Note: 493000 Guard-Muffler					378	22032	Washer-Packing
	Uses:					380	62199	Washer-Plain
	93606 Screw (Guard to Muffler Mtg.)		330	69932 Rope-Starter		381	93559	Screw-Sem
	62199 Washer (Guard to Bracket)		331	224061 Washer-Flywheel		382	93158	Screw-Sem
	93873 Screw (Guard to Bracket Mtg.)		332	92284 Nut-Flywheel			Note: 92636 Screw-Hex. Head	
	Used on Type Nos. 1655, 1662, 1663.		333	398593 Armature-Magneto			90832 Washer-Lock	
299A	493288 Muffler-Exhaust		333A	398593 Armature-Magneto			230352 Spacer	
	Note: 493000 Guard-Muffler		334	93381 Screw-Armature Mtg.			Used on Type No. 1637.	
	Uses:		337	298809 Plug-Spark (1-1/2" High, 38 mm)		383	89838 Wrench-Spark Plug	
	94186 Screw (Guard to Muffler Mtg.)			Note: 293918 Plug-Spark (Resistor Type With Gasket)		445	396424 Cartridge-Air Cleaner	
	62199 Washer (Guard to Bracket)			(1-5/8" High, 42 mm)		445A	392308 Cartridge-Air Cleaner	
	93873 Screw (Guard to Bracket Mtg.)			492167 Plug-Spark (With Gasket)		446	222844 Base-Air Cleaner	
	Used on Type No. 1655.			(1-7/8" High, 48 mm)		467	212706 Knob-Air Cleaner	
303	92989 Elbow-Exhaust (45° Street)		346	93705 Screw-Sem		467A	212293 Knob-Air Cleaner	
304	Housing-Blower (For Rewind Starter)		347	220884 Switch-Stop (For 1-1/2" High, 38 mm Spark Plug)		506	90200 Screw-Fill. Head	
	Note: For Type Nos. Not Listed Below, See Ref. No. 608.			Note: 221808 Switch-Stop (For 1-7/8" High, 48 mm Spark Plug)		507	66895 Insulator-Terminal	
	294263 Housing-Blower (For Rope Starter) Used on Model 80301 , 80311 , 80331 , 80351 , Series Engines.		347A	298926 Switch-Stop (For 1-1/2" High, 38 mm Spark Plug)		527	220754 Support-Breather Tube	
305	93158 Screw-Sem			Note: 293739 Switch-Stop (For 1-7/8" High, 48 mm Spark Plug)		528	230346 Tube-Breather	
306	224377 Shield-Cylinder (Used After Code Date 89102200).			353 92791 Washer-Lock		529	66578 Grommet-Breather Tube	
				354 90576 Nut-Hex.		534	93323 Screw-Air Cleaner (Order Separately)	
				356 398808 Wire-Ground		535	27987 Element-Air Cleaner	
				357 91539 Key-3/16" Square		535A	271466 Element-Air Cleaner	
						536	296766 Cleaner Assembly-Air	
						537	27994 Gasket-Air Cleaner	
						600	270003 Spacer-Air Cleaner Mounting	
						601	93053 Clip-Fuel Pipe (2)	
						601A	93807 Clip-Breather Tube	
						602	27666 Gasket-Air Cleaner Used With Vented Breather.	
						608	398034 Starter Assy.-Rewind (10 o'clock)	
							Note: 398035 Starter Assy.-Rewind (12 o'clock) Used on Type Nos.	

* Included in Gasket Set-Part No. 397144.

• Included in Carburetor Kit-See Ref. 121.

80300 to 80399

REF. NO.	PART NO.	DESCRIPTION	REF. NO.	PART NO.	DESCRIPTION	REF. NO.	PART NO.	DESCRIPTION
		1515, 1516, 1524, 1535, 1537, 1548, 1549, 1631, 1640, 1651, 1652, 1654, 1656, 1661, 4001.	676	393760	Deflector-Exhaust	871	231348	Guide-Exhaust Valve
		490703 Starter Assy.- Rewind (1:30 o'clock) Used on Type Nos. 1658, 1659.	681	399619	Needle Valve Assembly			Note: 63709 Guide-Intake Valve (Brass) See Repair Manual.
		492162 Starter Assy.- Rewind (12 o'clock) Used on Type Nos. 1635, 1646, 1661, 1662, 1663, 4015, 4024, 4035, 4037.		Note: 292088	Needle Valve Used on Type No. 1650.	888	393891	Line-Fuel (Flexible) (Short) (Gasoline-Kerosene)
635	66538	Elbow-Spark Plug	741	261533	Gear-Timing (For Plain Bearing)	889	93915	Tee (Gasoline-Kerosene)
642	223306	Cover-Air Cleaner		Note: 261721	Gear-Timing (For Ball Bearing)	897	394970	Trigger Coil
642A	222626	Cover-Air Cleaner	851	221798	Terminal-Ignition Cable	917	223271	Handle-Shut-Off Valve
643	280374	Cup-Air Cleaner	852	396397	Cleaner Group-Air	949	396579	Guard-Rewind Starter
643A	222845	Cup-Air Cleaner	852A	392368	Cleaner Group-Air	949A	281192	Guard-Rewind (Used After Code Date 91062900).
				Note: 393766	Dual Element Air Cleaner Kit.			Note: 280684 Guard-Rewind (Used Before Code Date 91070100).
			869	210879	Seat-Intake Valve	1016	490817	Spacer
				Note: For Options See Repair Manual.		1019	491069	Label Kit
			870	211291	Seat-Exhaust Valve			
				Note: For Options See Repair Manual.				

* Included in Gasket Set-
Part No. 397144.

• Included in Carburetor Kit-
See Ref. 121.