

**80200 to 80299**  
**81200 to 81299**

# Illustrated Parts List

## Model Series

### 80200 to 80299

TYPE NUMBERS  
0010 through 0942  
1000 through 1140  
2035 through 2049  
9010 through 9911  
9934 through 9958  
948000 through 948230  
951000 through 951047

### 81200 to 81299

TYPE NUMBERS  
0010 through 0202  
9010 through 9197  
948500 through 948669  
951500 through 951545

#### TO FIND

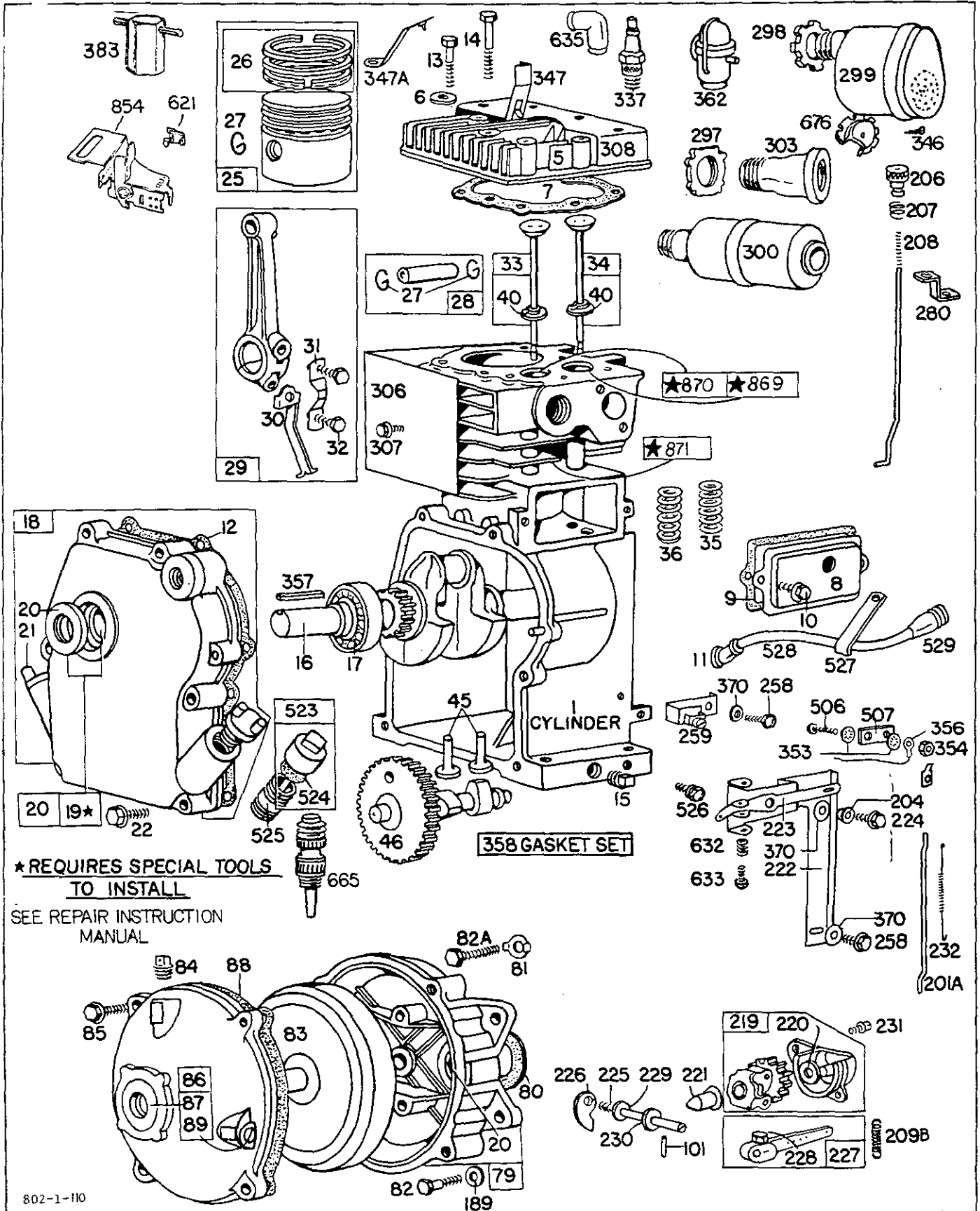
**THE CORRECT NUMBER OF THE PART YOU NEED:**

#### FOLLOW THE INSTRUCTIONS BELOW

- A. Refer to Engine Model, Type and Code Number that is stamped on the blower housing of engine. Engine type numbers such as 012301 are listed herein only as 0123. The two digits (01 or 02, etc.) to the right of the space are not needed for parts identification. Then use the Illustrated Parts List covering the Model Series.
- B. Refer to Illustrated Parts section and compare the old part with illustration. The number on the illustration is the Reference Number. Assemblies include all parts shown in frames. All parts shown in assembly frames on which individual reference numbers are given can be purchased separately.
- C. After the Reference Number has been identified, refer to the Numerical Parts List, where Reference and Master Part Number are listed. **THE MASTER PART IS USED ON ALL TYPE NUMBERS EXCEPT THOSE TYPE NUMBERS UNDER "NOTE"**.
- D. If a "Note" appears below the Master Part Number, this means that this part differs from the Master Part for certain types. If the Type number is listed under "Note", order the part referred to.
- E. If the Engine Type Number does not appear after any part number listed under "Note", use the Master Part Number.
- F. For Type Numbers higher than those covered by this book, please refer to the factory if you are unable to identify the part by comparison.

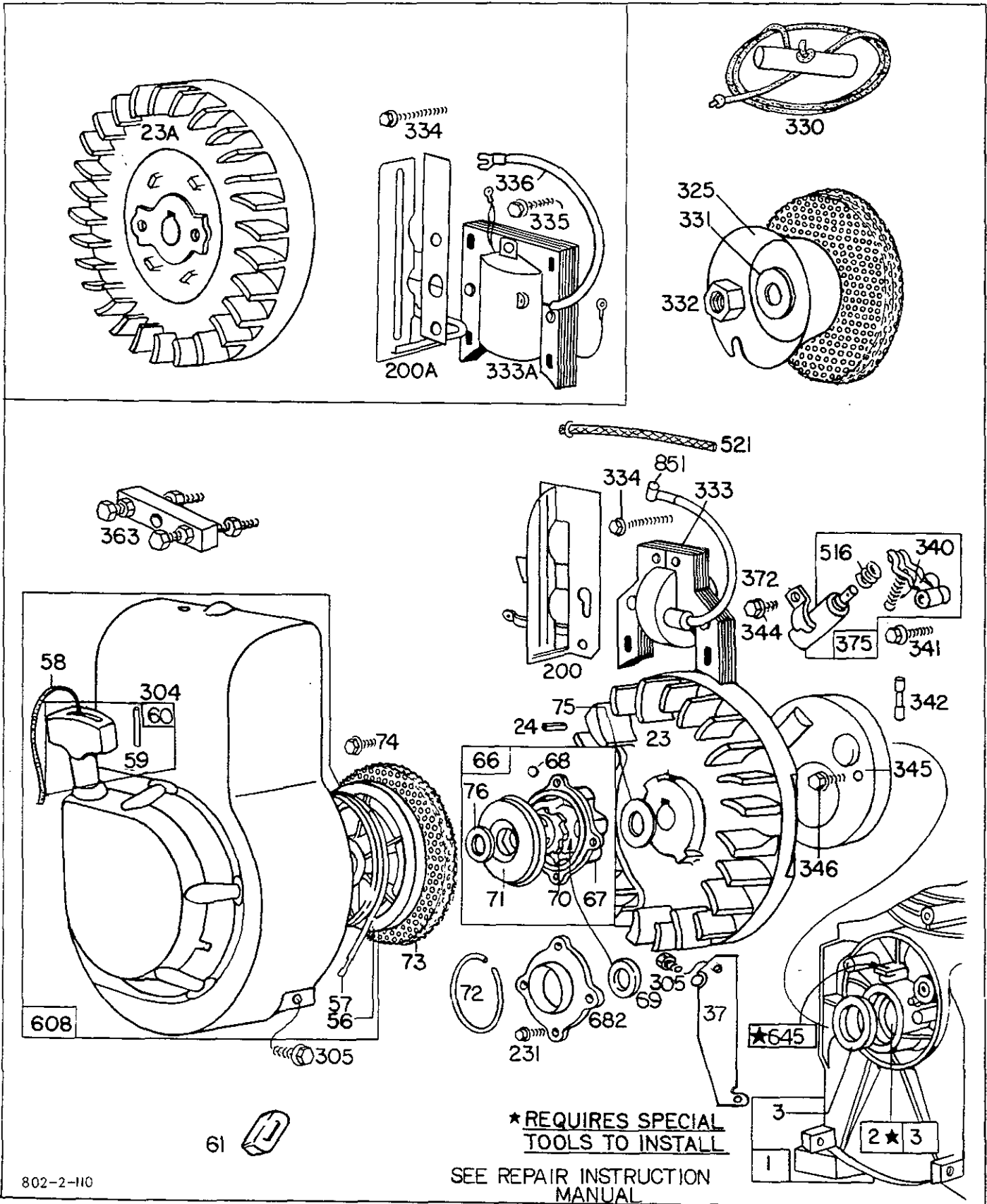


**80200 to 80299**  
**81200 to 81299**



Assemblies include all parts shown in frames.

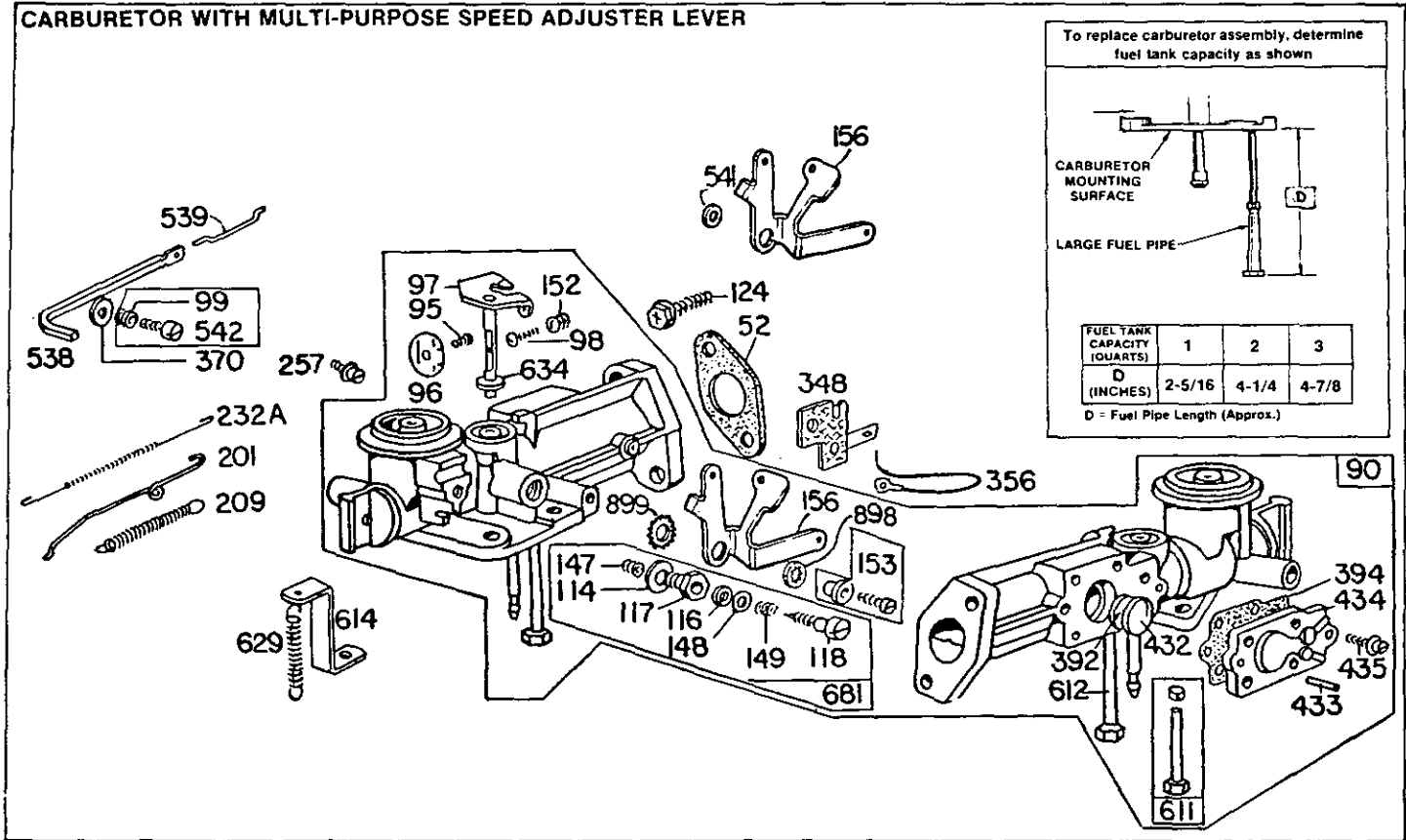
80200 to 80299  
81200 to 81299



Assemblies include all parts shown in frames.

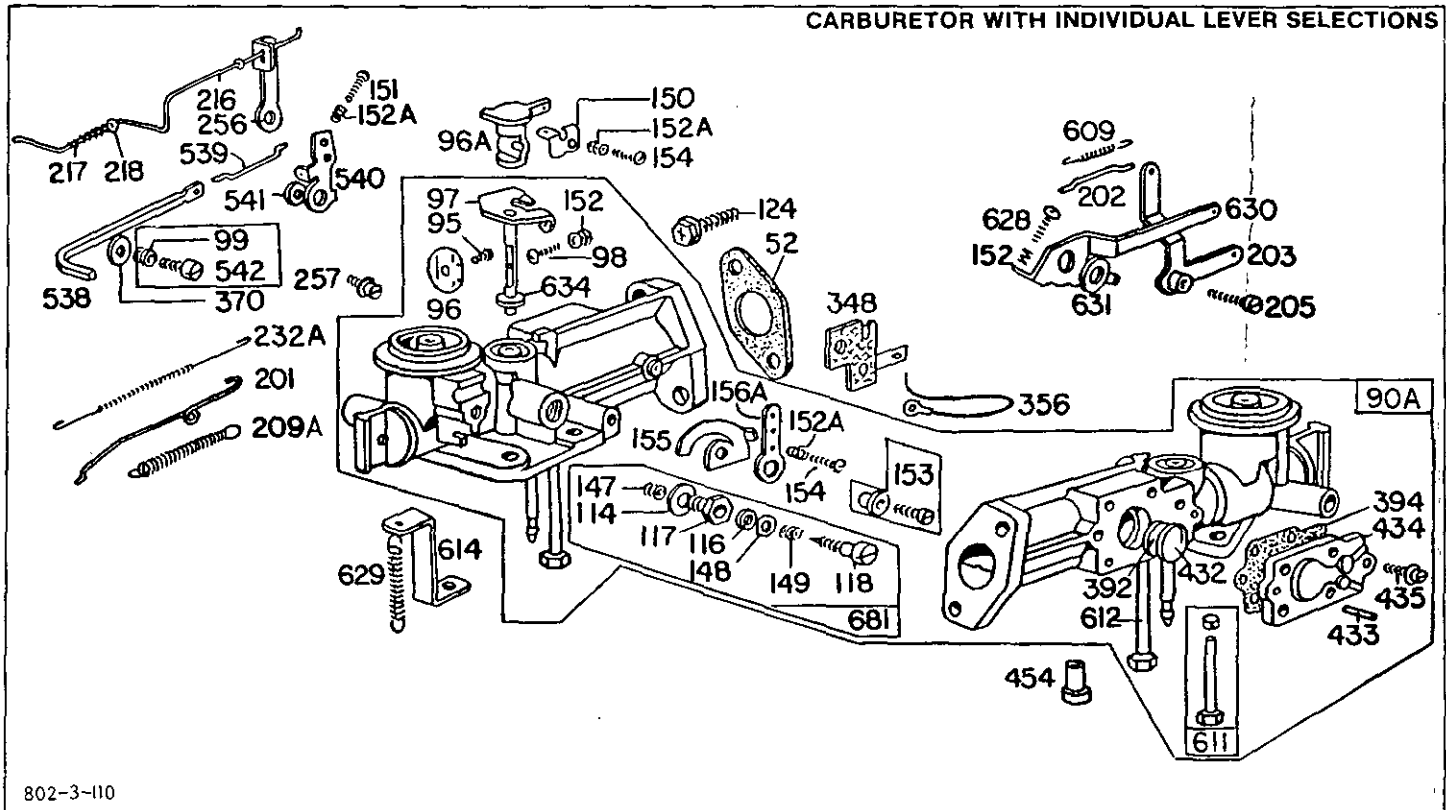
**80200 to 80299**  
**81200 to 81299**

**CARBURETOR WITH MULTI-PURPOSE SPEED ADJUSTER LEVER**



GENERAL NOTE: WHEN ORIGINAL CARBURETOR DOES NOT MATCH THE ABOVE ILLUSTRATION (REF. 90), ORDER PARTS FROM LOWER ILLUSTRATION (REF. 90A).

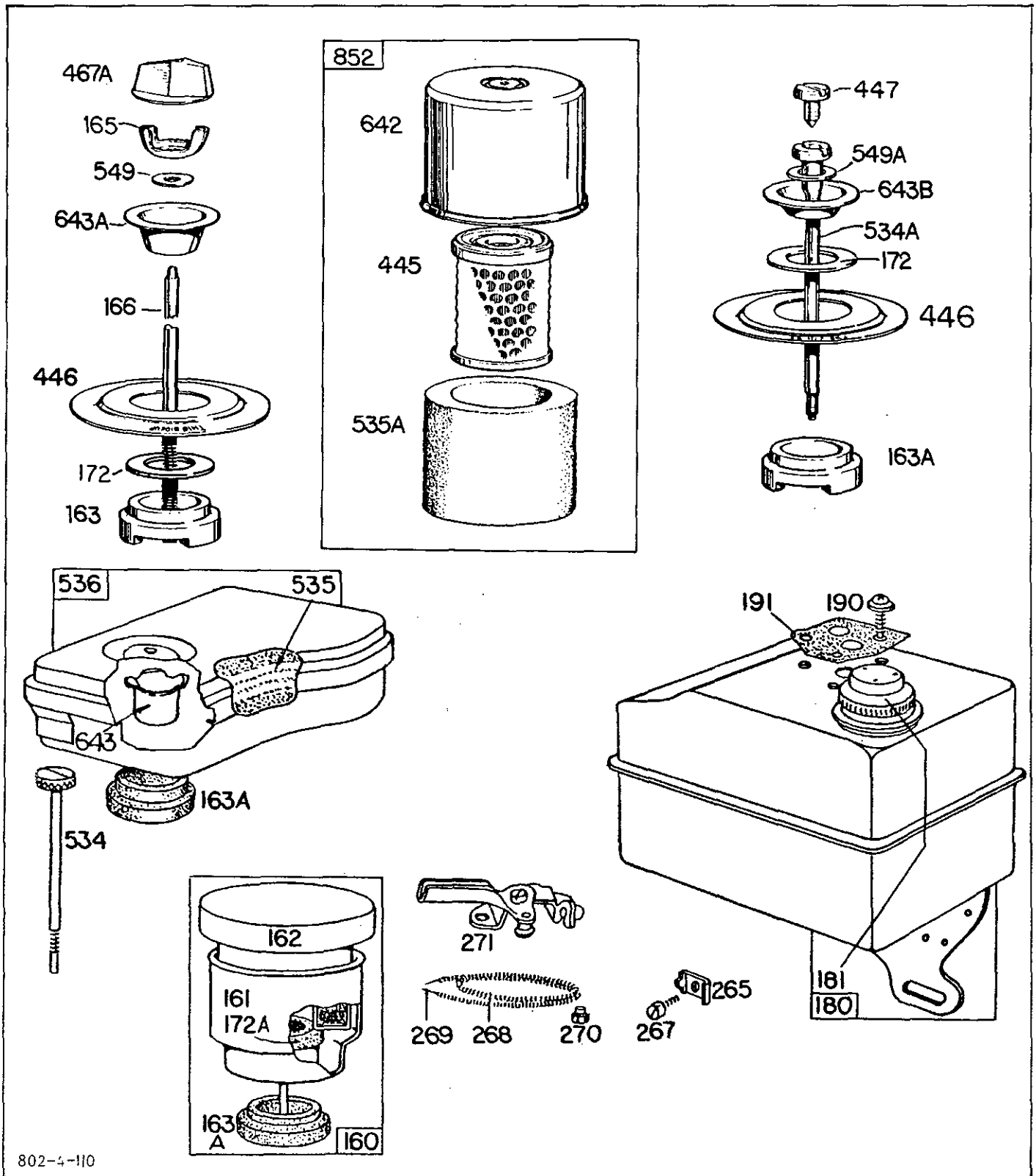
**CARBURETOR WITH INDIVIDUAL LEVER SELECTIONS**



802-3-110

Assemblies include all parts shown in frames.

80200 to 80299  
81200 to 81299

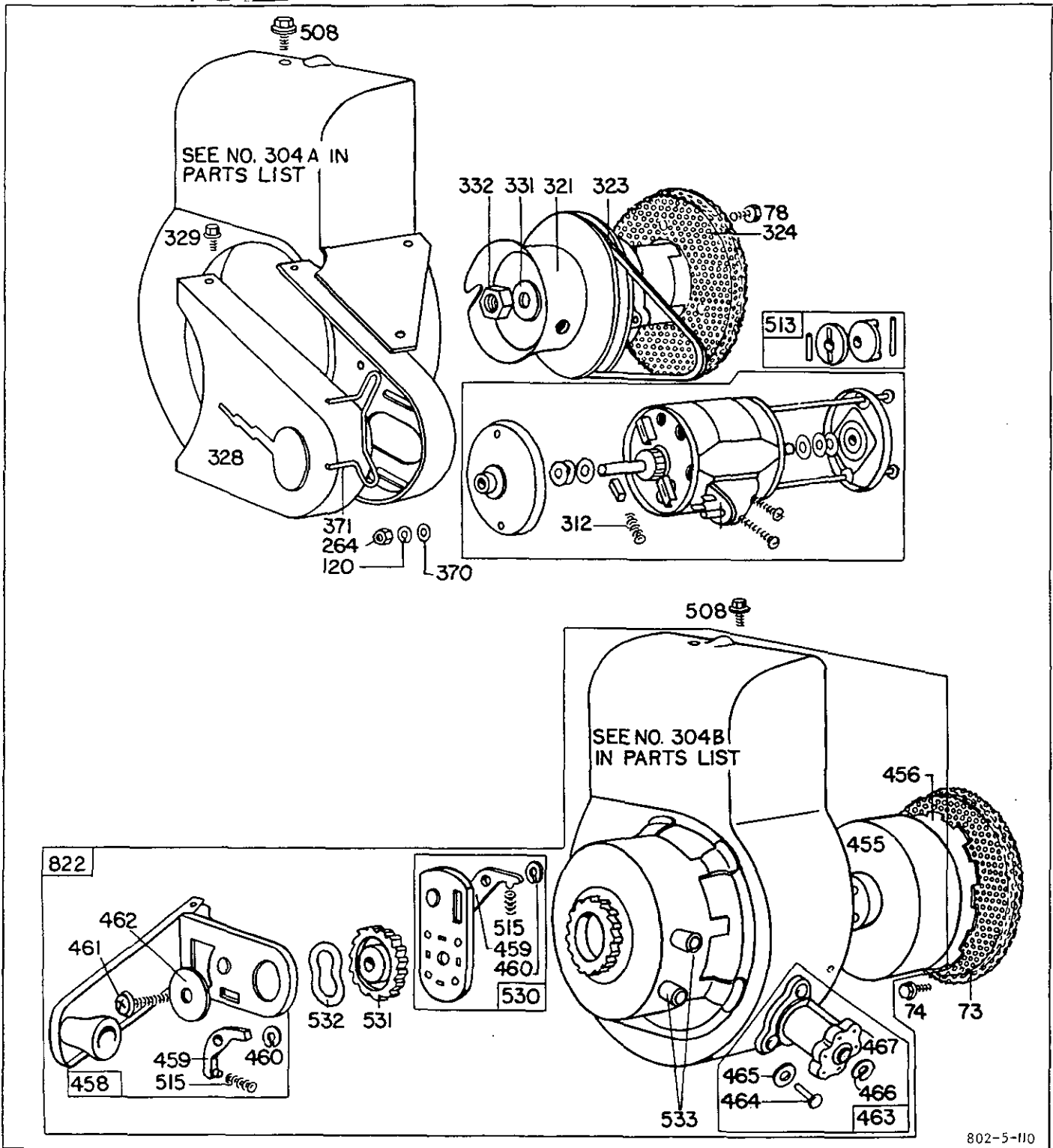


802-4-110

Assemblies include all parts shown in frames.

80200 to 80299

81200 to 81299



Assemblies include all parts shown in frames.

**80200 to 80299**  
**81200 to 81299**

REF. NO.	PART NO.	DESCRIPTION	REF. NO.	PART NO.	DESCRIPTION	REF. NO.	PART NO.	DESCRIPTION
1	296561	Cylinder Assembly Used on Model 80200 Series	15	91249	Plug—Pipe, 1/4" Std., Square Head			948533, 948534, 948592, 948593, 948609, 948626, 951515, 951516, 951517, 951518.
	296610	Cylinder Assembly Used on Model 81200 Series		<b>Note:</b> 93448	Plug—Oil Drain (Hex. Socket Head) Used on Model 80200 Series Type Nos. 948050, 948055, 948060.			<b>260113</b> Crankshaft Used on Model 80200 Series Type Nos. 1036, 9044, 9217, 9251, 9309, 9324, 9383, 9397, 9409, 9414, 9415, 9418, 9439, 9450, 9452, 9538, 9571, 9575, 9609, 9620, 9622, 9623, 9628, 9631, 9642, 9654, 9673, 9700, 9711, 9715, 9724, 9743, 9746, 9755, 9768, 9770, 9804, 9828, 9830, 9852, 9859, 9884, 9886, 9893, 9940, 9945, 9947, 9948, 9950, 9953, 9955, 9957, 951025, 951026, also used on Model 81200 Series Type Nos. 951525, 951526.
2	293708	Bushing—Cylinder <b>Note:</b> Requires special tools for installation.			Also on Type Nos. 0547, 0587, 0589, 0591, 0649, 0762, 0763, 0781, 1796, 0797, 0799, 0803, 0815, 0820, 0838, 0849, 0855, 0870, 0872, 0903, 0904, 0907, 0924, 0931, 0933, 1008, 1028, 1044, 1055, 1058, 1063, 1067, 1070, 1071, 1088, 1107, 1129.			<b>260109</b> Crankshaft Used on Model 80200 Series Type Nos. 0299, 9191, 9305, 9325, 951045.
3	299819	Seal—Oil	16	260257	Crankshaft			<b>260110</b> Crankshaft Used on Model 80200 Series Type Nos. 0038, 0120, 0121, 0200, 0203, 0221, 0222, 0274, 0346, 0453, 0494, 0640, 0664, 0703, 0706, 0717, 0728, 0739, 0783, 0818, 0823, 0824, 0898, 0920, 1013, 1035, 1060, 1084, 9145, 9146, 948015, 948016, 948017, 948018, 948031, 948032, 948033, 948034, 948070, 948224, 948229, 951015, 951016, 951017, 951018; also used on Model 81200 Series Type Nos. 0120, 0121, 0148, 0192, 9151, 948515, 948516, 948517, 948518, 948531, 948532,
5	210812	Head—Cylinder						<b>260121</b> Crankshaft Used on Model 80200 Series Type Nos. 0173, 9354, 948090, 948121; also used on Model 81200 Series Type Nos. 0159, 948633, 948653, 948654, 948669.
6	22963	Washer						<b>260182</b> Crankshaft Used on Model 80200 Series Type Nos. 0036, 0164, 0168, 0196, 0208, 0216, 0225, 0227, 0261, 0267, 0277, 0283, 0295, 0304, 0306, 0322, 0351, 0359, 0382, 0386, 0390, 0391, 0436, 0442, 0448, 0457, 0460, 0467, 0473, 0483,
7	*27670	Gasket—Cylinder Head						
8	294178	Breather—Valve Chamber						
9	*27549	Gasket—Valve Cover						
10	93394	Screw—Valve Cover Mounting Sem						
11	66578	Grommet—Breather Tube						
12	*270833	Gasket—Crankcase— .015" thick (Standard)						
	270895	Gasket—Crankcase— .005" thick						
	*270896	Gasket—Crankcase— .009" thick						
13	93111	Screw—Cylinder Head (1-15/16" long) <b>Note:</b> 93583 Stud—Cylinder Head (1) 22963 Washer Used on Type Nos. 0587, 0687, 0693, 0738, 0809, 0829, 0848, 0876, 0902, 0925, 1037, 1047, 1050, 1090, 1098, 1101, 1102, 1105, 1109, 1127, 1130, 1136, 9868, 9958.						
14	93113	Screw—Cylinder Head (2-5/16" long) <b>Note:</b> 93583 Stud—Cylinder Head 22963 Washer Used on Type Nos. 0644, 0662, 0668, 0738, 0747, 0829, 0902, 0925, 1047, 1090, 1098, 1102, 1127, 9700, 9868, 9958.						

\*Included in Gasket Set—  
Part No. 297275.

**80200 to 80299**  
**81200 to 81299**

REF. NO.	PART NO.	DESCRIPTION	REF. NO.	PART NO.	DESCRIPTION	REF. NO.	PART NO.	DESCRIPTION
	0485, 0508, 0516, 0526, 0537, 0556, 0580, 0597, 0602, 0608, 0617, 0658, 0674, 0689, 0696, 0709, 0713, 0730, 0778, 0782, 0795, 0810, 0814, 0835, 0841, 0871, 0895, 0914, 0925, 0938, 1000, 1006, 1012, 1033, 1037, 1041, 1050, 1054, 1059, 1074, 1087, 1091, 1100, 1111, 1116, 1125, 1135, 1140, 2036, 9495, 9780, 9954, 948063, 948064, 948104, 948117, 948118, 948119, 948127, 948134, 948162, 948189; also used on <i>Model 81200</i> Series Type Nos. 0138, 0141, 0144, 0145, 0149, 0152, 0153, 0154, 0156, 0158, 0162, 0175, 0179, 0189, 0190, 0193, 9188, 948547, 948563, 948584, 948595, 948608, 948624, 948625, 948634, 948636, 948646, 948658, 948665. <b>260187</b> Crankshaft Used on <i>Model 80200</i> Series Type Nos. 0040, 0166, 0170, 0220, 0302, 0379, 0381, 0384, 0389, 0402, 0438, 0498, 0499, 0505, 0544, 0550, 0557, 0577, 0581, 0639, 0665, 0670, 0688, 0693, 0705, 0726, 0727, 0757, 0764, 0803, 0849, 0851, 0870, 0940, 1040, 1048, 1124, 1129, 1132, 948103, 948188, 948200; also used on <i>Model 81200</i> Series Type Nos. 0143, 0168, 0174, 0184, 0201, 948639, 948649.		<b>260201</b> Crankshaft Used on <i>Model 80200</i> Series Type No. 0632. <b>260276</b> Crankshaft Used on <i>Model 80200</i> Series Type Nos. 0049, 0125, 0126, 0129, 0141, 0151, 0156, 0157, 0171, 0184, 0186, 0294, 0207, 0209, 0210, 0211, 0218, 0228, 0230, 0235, 0253, 0257, 0259, 0260, 0263, 0271, 0273, 0281, 0303, 0307, 0313, 0320, 0335, 0338, 0341, 0348, 0356, 0367, 0368, 0371, 0380, 0403, 0421, 0425, 0432, 0447, 0462, 0464, 0500, 0518, 0523, 0532, 0560, 0562, 0564, 0566, 0603, 0605, 0611, 0612, 0616, 0632, 0667, 0669, 0672, 0676, 0678, 0679, 0686, 0691, 0698, 0707, 0720, 0733, 0750, 0759, 0763, 0774, 0788, 0821, 0826, 0836, 0850, 0854, 0856, 0873, 0900, 0910, 0912, 0927, 1009, 1010, 1015, 1020, 1039, 1043, 1056, 1095, 1127, 2049, 948020, 948021, 948022, 948023, 948035, 948036, 948037, 948038, 948066, 948076, 948077, 948088, 948093, 948097, 948105, 948109, 948126, 948132, 948140, 948144, 948149, 948150, 948157, 948160, 948169, 948174, 948176, 948182, 948185, 948186.		948187, 948205, 948207, 948214, 948215, 948219, 951020, 951021, 951022, 951023; also used on <i>Model 81200</i> Series Type Nos. 0103, 0104, 0125, 0126, 0147, 0155, 0161, 0165, 0169, 0171, 0199, 948520, 948521, 948522, 948523, 948535, 948536, 948537, 948538, 948545, 948546, 948561, 948565, 948571, 948580, 948587, 948596, 948599, 948613, 948614, 948617, 948618, 948621, 948622, 948627, 948637, 948641, 948651, 948652, 948655, 948664, 951520, 951521, 951522, 951523. <b>260395</b> Crankshaft Used on <i>Model 80200</i> Series Type No. 948055; also used on <i>Model 81200</i> Series Type Nos. 0135, 948605. <b>260489</b> Crankshaft Used on <i>Model 80200</i> Series Type Nos. 0037, 0169, 0174, 0190, 0198, 0223, 0287, 0290, 0364, 0374, 0375, 0433, 0434, 0479, 0627, 0634, 0638, 0683, 0684, 0692, 0694, 0719, 0749, 0760, 0772, 0784, 0791, 0813, 0843, 0865, 0906, 0913, 0918, 1001, 1049, 1052, 1061, 9161, 9891, 9946, 948057, 948059, 948064, 948067, 948069, 948123.			



**80200 to 80299**  
**81200 to 81299**

REF. NO.	PART NO.	DESCRIPTION	REF. NO.	PART NO.	DESCRIPTION	REF. NO.	PART NO.	DESCRIPTION
	948131, 948139, 948155, 948191, 948192, 948211, 948213, 948216, 948226, 951046; also used on <i>Model 81200</i> Series Type Nos. 0146, 0164, 0178, 0181, 0191, 0194, 0198, 0200, 948570, 948572, 948573, 948574, 948585, 948590, 948612, 948623, 948628, 948640, 948659, 948666. <b>260491</b> Crankshaft Used on <i>Model 80200</i> Series Type Nos. 0039, 0239, 0254, 0327, 0832, 1057. 948228; also used on <i>Model 81200</i> Series Type Nos. 0133, 948577. <b>260492</b> Crankshaft Used on <i>Model 80200</i> Series Type Nos. 0018, 0165, 0214, 0231, 0255, 0278, 0280, 0292, 0301, 0308, 0323, 0330, 0334, 0336, 0361, 0366, 0372, 0373, 0376, 0378, 0385, 0399, 0404, 0405, 0406, 0410, 0420, 0422, 0426, 0430, 0431, 0441, 0465, 0466, 0471, 0475, 0476, 0477, 0482, 0486, 0493, 0497, 0503, 0514, 0520, 0528, 0536, 0542, 0547, 0552, 0553, 0554, 0568, 0570, 0586, 0587, 0590, 0591, 0592, 0601, 0606, 0607, 0618, 0650, 0652, 0687, 0695, 0702, 0734, 0740, 0751, 0762, 0776, 0796, 0797, 0801, 0805, 0807,		0815, 0829, 0839, 0846, 0848, 0855, 0858, 0862, 0872, 0876, 0879, 0880, 0903, 0933, 0936, 0939, 1003, 1008, 1014, 1034, 1055, 1058, 1064, 1067, 1070, 1072, 1088, 1089, 1099, 1106, 1108, 1110, 1131, 1137, 9165, 9943, 948141, 948143, 951044; also used on <i>Model 81200</i> Series Type Nos. 948567, 948568, 948589, 948616. <b>260512</b> Crankshaft Used on <i>Model 80200</i> Series Type Nos. 9300. <b>260562</b> Crankshaft Used on <i>Model 80200</i> Series Type Nos. 0163, 0201, 0237, 0250, 0262, 0266, 0297, 0342, 0355, 0357, 0458, 0484, 0504, 0531, 0569, 0583, 0615, 0668, 0680, 0697, 0800, 0812, 0820, 0831, 0838, 0857, 0892, 0899, 1011, 948159, 948180; also used on <i>Model 81200</i> Series Type Nos. 948551, 951540, 951541. <b>260674</b> Crankshaft Used on <i>Model 80200</i> Series Type Nos. 948151, 948152; also used on <i>Model 81200</i> Series Type No. 948638. <b>260759</b> Crankshaft Used on <i>Model 80200</i> Series Type Nos. 9252; also used on <i>Model</i> <i>81200</i> Series Type Nos. 9139, 9183, 951545.		<b>260932</b> Crankshaft Used on <i>Model 80200</i> Series Type Nos. 0035, 0124, 0149, 0150, 0153, 0176, 0183, 0185, 0206, 0219, 0240, 0246, 0270, 0276, 0289, 0311, 0317, 0318, 0328, 0340, 0350, 0358, 0365, 0369, 0388, 0392, 0396, 0398, 0407, 0428, 0455, 0456, 0459, 0474, 0502, 0511, 0517, 0534, 0548, 0559, 0574, 0595, 0596, 0621, 0625, 0626, 0633, 0636, 0637, 0644, 0646, 0653, 0663, 0675, 0677, 0681, 0682, 0685, 0690, 0708, 0710, 0716, 0721, 0722, 0729, 0732, 0735, 0766, 0769, 0771, 0775, 0789, 0790, 0792, 0794, 0806, 0811, 0816, 0827, 0840, 0842, 0844, 0860, 0863, 0864, 0866, 0875, 0889, 0897, 0901, 0905, 0908, 0909, 0917, 0919, 0921, 0935, 0937, 0942, 1004, 1021, 1022, 1025, 1026, 1027, 1030, 1032, 1045, 1047, 1068, 1069, 1076, 1077, 1079, 1083, 1093, 1095, 1098, 1104, 1112, 1113, 1115, 1117, 1118, 1123, 1126, 1136, 1139, 2035, 9155, 9253, 9314, 9377, 9440, 9451, 9469, 9489, 9509, 9530, 9563, 9598, 9599, 9648, 9745, 9756, 9773, 9817, 9878, 9885, 9911, 9949, 9951, 948049, 948062, 948071, 948075, 948082, 948085, 948099, 948122, 948147, 948161, 948166, 948171,			

**80200 to 80299**  
**81200 to 81299**

REF. NO.	PART NO.	DESCRIPTION	REF. NO.	PART NO.	DESCRIPTION	REF. NO.	PART NO.	DESCRIPTION
		948179, 948195, 948208, 948210, 948225, 951047; also used on Model 81200 Series Type Nos. 0101, 0102, 0142, 0160, 0163, 0166, 0172, 0173, 0177, 0186, 9197, 948549, 948555, 948556, 948557, 948558, 948564, 948569, 948583, 948602, 948647, 948660, 948662.			See No. 394909 Cover Assy., under Note, for exceptions.			Used on Model 80200 Series Type Nos. 0133, 0136, 0158, 0162, 0197, 0234, 0243, 0332, 0401, 0539, 0582, 0592, 0600, 0613, 0614, 0731, 0734, 0744, 0753, 0761, 0834, 0915, 1016, 948221, 948222; also used on Model 81200 Series Type No. 0130.
		<b>261128</b> Crankshaft Used on Model 80200 Series Type Nos.	<b>392975</b>		Cover Assembly—Crankcase Used before Code No. 81120900.			<b>394909</b> Cover Assy.—Crankcase Used after Code No. 81120800. Used on Model 80231, 80232, 80233, 80236, 81231, 81232, 81233, 81236 Series.
		<b>261161</b> Crankshaft Used on Model 80200 Series Type Nos. 0533, 0576, 0718, 0723, 0837.			<b>Note:</b> <b>296295</b> Cover Assy.—Crankcase Used on Model 80200 Series Type Nos. 948025, 948026, 948039, 948040, 948107, 948125, 948163, 948170, 948173, 948198; also used on Model 81200 Series Type Nos. 948525, 948526, 948539, 948540, 948566.			<b>294307</b> Cover Assy.—Crankcase Used before Code No. 81120900. Used on Model 80201 80202, 80206 Series Type Nos. 9024, 9133, 9134, 9165, 9312, 9347, 9387, 9416, 9417, 9513, 9643, 951010, 951011, 951012, 951013, 951039, 951040, 951041, 951042, 951043, 951044; and on all Model 80211, 80212, 80251, 80252, 80253, 80256 Series; also used on Model 81201, 81202, 81203, 81206 Series Type Nos. 951510, 951511, 951512, 951513, 951539, 951540, 951541, 951542, 951543, 951544; and on all Model 81211, 81212, 81251, 81252, 81253, 81256 Series.
		<b>261298</b> Crankshaft Used on Model 80200 Series Type Nos. 0659, 0731, 0761, 0779, 0781, 0799, 0834, 1016, 1028, 1063, 1071, 1107.			<b>297378</b> Cover Assy.—Crankcase Used on Model 80200 Series Type Nos. 948136, 948153; also used on Model 81200 Series Type No. 948632.			
		<b>261404</b> Crankshaft Used on Model 80200 Series Type Nos. 0786, 0787.			<b>298511</b> Cover Assy.—Crankcase Used before Code No. 81120900.			
		<b>261450</b> Crankshaft Used on Model 80200 Series Type Nos. 9819, 9868, 9887, 9894, 9934, 9952, 9958.			<b>395259</b> Cover Assy.—Crankcase Used after Code No. 81120800. Used on Model 80200 Series Type Nos. 2035, 2036.			
17	99158	Bearing—Ball			<b>394879</b> Cover Assy.—Crankcase Used after Code No. 81120800.			
18	394820	Cover Assembly—Crankcase Used after Code No. 81120800.			<b>298281</b> Cover Assy.—Crankcase Used before Code No. 81120900.			
		<b>392974</b> Cover Assy.—Crankcase Used before Code No. 81120900. Used on Model 80201, 80202, 80203, 80206, 81201, 81202, 81203, 81206 Series;						

**80200 to 80299**  
**81200 to 81299**

REF. NO.	PART NO.	DESCRIPTION	REF. NO.	PART NO.	DESCRIPTION	REF. NO.	PART NO.	DESCRIPTION			
19	293708	Bushing—Crankcase Cover <b>Note:</b> Bushings require special tools for installation. <b>Note:</b> <b>220538</b> Bushing—Crankcase Cover Used on <i>Model 80211, 80212, 80251, 80252, 80253, 80256, 81211, 81212, 81251, 81252, 81253, 81256 Series; also used on Model 80201, 80202, 80206</i> Series Type Nos. 9024, 9133, 9134, 9165, 9312, 9347, 9387, 9416, 9417, 9513, 9643, 948177, 948230, 951010, 951011, 951012, 951013, 951039, 951040, 951041, 951042, 951043, 951044; also used on <i>Model 81200</i> Series Type Nos. 948619, 948667, 951510, 951511, 951512, 951513, 951539, 951540, 951541, 951542, 951543, 951544. <b>294499</b> Bushing Assembly—Crankcase Cover Used on <i>Model 80211, 80212, 80251, 80252, 80253, 80256, 81211, 81212, 81251, 81252, 81253, 81256 Series; also used on Model 80201, 80202, 80206</i> Series Type Nos. 9024, 9133, 9134, 9165, 9312, 9347, 9387, 9416, 9417, 9513, 9643, 948177, 948230, 951010, 951011, 951012, 951013, 951039, 951040, 951041, 951042,	20	299819	Seal—Oil <b>Note:</b> <b>294160</b> Seal—Oil Used on the auxiliary P.T.O. Shaft on <i>Model 80200</i> Series Type Nos. 948025, 948026, 948039, 948040, 948107, 948125, 948163, 948170, 948173, 948198; also used on <i>Model 81200</i> Series Type Nos. 948525, 948526, 948539, 948540, 948566. <b>391484</b> Seal—Oil Used on the auxiliary P.T.O. Shaft on <i>Model 80200</i> Series Type Nos. 0133, 0135, 0136, 0158, 0162, 0197, 0234, 0243, 0332, 0401, 0539, 0582, 0592, 0600, 0613, 0614, 0713, 0734, 0744, 0753, 0761, 0834, 0915, 1016, 948221, 948222; also used on <i>Model 81200</i> Series Type Nos. 0130. <b>392838</b> Oil Seal and Spacer Used on <i>Model 80211 80212, 80251, 80252, 80253, 80256, 81211, 81212, 81251, 81252, 81253, 81256 Series; (Except Type Nos. Listed Under</i> <b>392986</b> Oil Seal and Spacer) also used on <i>Model 80201, 80202, 80206</i> Series Type Nos. 9024, 9133, 9134, 9165, 9312, 9347, 9387, 9416, 9417, 9513, 9643,	21	66768	Plug—Oil Filler	22	93032	Screw—Crankcase Cover Mounting Sem <b>Note:</b> <b>92747</b> Screw—Crankcase Mounting Sem Used on two top holes to mount cover on <i>Model 80211, 80212, 80251, 80252, 80253, 80256, 81211, 81212, 81251, 81252, 81253, 81256 Series and on Model 80200</i> Series Type Nos. 9023, 9024, 9133, 9134, 9165, 9312, 9347, 9387, 9416, 9417, 9513, 9643, 9819, 9958, 951010, 951011, 951012, 951013, 051039, 051040, 051041, 051042, 051043, 051044, also used on <i>Model 81200</i> Series Type Nos. 951510, 951511, 951912, 951513,

**80200 to 80299**  
**81200 to 81299**

REF. NO.	PART NO.	DESCRIPTION	REF. NO.	PART NO.	DESCRIPTION	REF. NO.	PART NO.	DESCRIPTION	
		951539, 951540, 951541, 951542, 951543, 951544, <b>93656</b> Stud <b>90832</b> Washer—Lock Used to mount Crank- case Cover on Type Nos. 0567, 0659, 0712, 0731, 0753, 0765, 0781, 0798, 0799, 0802, 0834, 1016, 1019, 1028, 1029, 1038, 1063, 1071, 1080, 1081, 1082, 1107, 1119, 1120.			<b>MODEL 80200 SERIES RING SETS:</b> <b>Note:</b> For Chrome Piston Ring Set—standard size—order Part No. 297201.			0433, 0434, 0436, 0453, 0479, 0485, 0505, 0516, 0526, 0550, 0559, 0605, 0611, 0612, 0645, 0663, 0664, 0665, 0667, 0672, 0674, 0682, 0689, 0691, 0692, 0694, 0703, 0705, 0706, 0709, 0710, 0713, 0725, 0733, 0739, 0749, 0759, 0782, 0788, 0791, 0792, 0864, 0866, 0873, 0941, 1000, 1032, 1033, 1035, 1039, 1040, 1051, 9044, 9191, 9885, 948094, 948117, 948118, 951045; also used on Model 81200 Series Type Nos.	
23	296884	Flywheel—Magneto (Used on and after Code No. 6212310) <b>Note:</b> <b>297949</b> Flywheel— Magneto Used on Type Nos. 1074, 1077, 1091, 1104, 1111, 9711, 9742, 9819, 9952.	26	<b>294232</b> Ring Set—Std. Piston <b>294224</b> Ring Set—.010" O.S. Piston <b>294225</b> Ring Set—.020" O.S. Piston <b>294226</b> Ring Set—.030" O.S. Piston					
23A	295936	Flywheel—Magneto (Used before Code No. 6212310)	27	<b>26026</b> Lock—Piston Pin					
24	61760	Key—Flywheel	28	<b>298909</b> Pin Assembly—Piston— Standard <b>298908</b> Pin Assembly—Piston— .005" O.S.					
25	295587	Piston Assembly—Std. <b>Note:</b> <b>295455</b> Piston Assy.— Standard Used on Model 81200 Series.	29	<b>294367</b> Rod Assy.— Connecting <b>Note:</b> For Connecting Rod with .020" undersize Crankpin Bore—order No. 296079.					
	295588	Piston Assembly— .010" O.S. <b>Note:</b> <b>295456</b> Piston Assy.— .010" O.S. Used on Model 81200 Series.	30	<b>220670</b> Dipper—Connecting Rod					
	295589	Piston Assembly— .020" O.S. <b>Note:</b> <b>295457</b> Piston Assy.— .020" O.S. Used on Model 81200 Series.	31	<b>220756</b> Lock—Connecting Rod Screw					
	295590	Piston Assembly— .030" O.S. <b>Note:</b> <b>295458</b> Piston Assy.— .030" O.S. Used on Model 81200 Series.	32	<b>92296</b> Screw—Connecting Rod					
			33	<b>296676</b> Valve—Exhaust (Grooved Stem— Includes Retainer No. 93312) <b>260442</b> Valve—Exhaust (with hole in stem) Used on Model 80200 Series Type Nos. 0035, 0036, 0037, 0038, 0039, 0040, 0049, 0208, 0248, 0277, 0315, 0374, 0375, 0392, 0432,					
								<b>260443</b> Valve—Exhaust (with hole in stem) (STELLITE®) Used on Model 80200 Series Type Nos. 0124, 0129, 0133, 0222, 0223, 0225, 0240, 0295, 0304, 0307, 0346, 0349, 0351, 0359, 0391, 0473, 0597, 0602, 0728, 0771, 0897, 0912, 0914, 0919, 1004, 1010, 1015, 1054, 1056, 2035,	

**80200 to 80299**  
**81200 to 81299**

REF. NO.	PART NO.	DESCRIPTION	REF. NO.	PART NO.	DESCRIPTION	REF. NO.	PART NO.	DESCRIPTION		
		2036, 2049, 9044, 9309, 9325, 9495, 9571, 9622, 9623, 9628, 9715, 9724, 9746, 9755, 9768, 9859, 9878, 9953, 948094, 948119, 948120, 948147, 948161, 948179, 948229, 948230; also used on <i>Model 81200</i> Series Type Nos. 0101, 0102, 0104, 0162, 0169, 0175, 9188.			0392, 0432, 0433, 0434, 0436, 0453, 0473, 0479, 0485, 0505, 0516, 0526, 0550, 0559, 0597, 0602, 0605, 0611, 0612, 0645, 0663, 0664, 0665, 0667, 0672, 0674, 0682, 0689, 0691, 0692, 0694, 0703, 0705, 0706, 0709, 0710, 0713, 0725, 0728, 0733, 0739, 0749, 0759, 0771, 0782, 0788, 0791, 0792, 0864, 0866, 0874, 0897, 0912, 0914, 0919, 0941, 1000, 1004, 1010, 1015, 1032, 1033, 0135, 1039, 1040, 1051, 1054, 1056, 2035, 2036, 2049, 9044, 9191, 9309, 9325, 9495, 9571, 9622, 9623, 9628, 9715, 9724, 9746, 9755, 9768, 9859, 9878, 9885, 9953, 948117, 948118, 948119, 948179, 948230, 951045; also used on <i>Model 81200</i> Series Type Nos. 0101, 0102, 0104, 0144, 0146, 0147, 0148, 0156, 0159, 0162, 0164, 0169, 0175, 0178, 0181, 0184, 0189, 0190, 0191, 0192, 0194, 9188, 948571, 948572, 948573, 948574, 948575, 948576, 948590, 948591, 948592, 948608, 948623, 948628, 948629, 948637, 948659, 948665, 948666, 948669.			<b>40</b>	<b>93312</b>	Retainer—Valve Spring Used with valves with groove in stem. <b>Note:</b> <b>23184</b> Retainer—Intake Valve <b>23187</b> Pin—Intake Valve Retainer (Used with Valves with hole in stem except those with rotocap, as follows:) <b>292259</b> Rotocap— Exhaust Valve <b>230126</b> Pin—Rotocap Exhaust Valve Retainer <b>230127</b> Retainer— Exhaust Valve Rotocap Used on <i>Model 80200</i> Series Type Nos. 0035, 0036, 0037, 0038, 0039, 0040, 0049, 0124, 0129, 0133, 0208, 0225, 0248, 0277, 0295, 0304, 0307, 0346, 0349, 0351, 0359, 0374, 0375, 0391, 0392, 0432, 0433, 0434, 0436, 0453, 0473, 0479, 0485, 0505, 0516, 0526, 0550, 0559, 0597, 0602, 0605, 0611, 0612, 0645, 0663, 0664, 0665, 0667, 0672, 0674, 0682 0689, 0691, 0692, 0694, 0703, 0705, 0706, 0709, 0710, 0713, 0725, 0728, 0733, 0739, 0749, 0759, 0771, 0782, 0788, 0791, 0792, 0864, 0866, 0873, 0897, 0912, 0914, 0919, 0941, 1000, 1004, 1010, 1015, 1032, 1033, 1035, 1039, 1040, 1051, 1054, 1056, 2035, 2036, 2049, 9309, 9325, 9495, 9571,
<b>34</b>	<b>296677</b>	Valve—Intake (Grooved Stem—Includes Retainer No. 93312) <b>Note:</b> <b>230101</b> Valve—Intake (with hole in stem) Used on <i>Model 80200</i> Series Type Nos. 0222, 0223, 0225, 0240, 0295, 0307, 0315, 0346, 0349, 0359, 0391, 0602, 0728, 9309, 9325, 9495, 9622, 9623, 9628, 9715, 948094, 948119, 948120, 948147, 948161, 948179, 948229, 948230; also Used on <i>Model 81200</i> Series Type Nos. 0101, 0102, 0104, 0162, 0169, 0175, 9188, 948608, 948660.								
<b>35</b>	<b>260552</b>	Spring—Intake Valve								
<b>36</b>	<b>26478</b>	Spring—Exhaust Valve								
	<b>Note:</b>	<b>26826</b> Spring—Exhaust Valve Used on <i>Model 80200</i> Series Type Nos. 0035, 0036, 0037, 0038, 0039, 0040, 0049, 0124, 0129, 0133, 0208, 0225, 0248, 0277, 0295, 0304, 0307, 0346, 0349, 0351, 0359, 0374, 0375, 0391,								
			<b>37</b>	<b>220971</b>	Guard—Flywheel					

**80200 to 80299**  
**81200 to 81299**

REF. NO.	PART NO.	DESCRIPTION	REF. NO.	PART NO.	DESCRIPTION	REF. NO.	PART NO.	DESCRIPTION
		9622, 9623, 9628, 9715, 9724, 9746, 9755, 9768, 9859, 9878, 9885, 9953, 948117, 948118, 948119, 948179, 948230, 951045; also used on <i>Model 81200</i> Series Type Nos. 0101, 0102, 0104, 0144, 0146, 0147, 0148, 0156, 0159, 0162, 0164, 0169, 0175, 0178, 0181, 0184, 0189, 0190, 0191, 0192, 0194, 9188, 948571, 948572, 948573, 948574, 948575, 948576, 948590, 948591, 948592, 948608, 948623, 948628, 948629, 948637, 948659, 948665, 948666, 948669.			948221, 948222; also used on <i>Model 81200</i> Series Type Nos. 0130.	<b>67</b>	<b>212131</b>	Housing—Starter Clutch Used after Code No. 6405220.
			<b>52</b>	<b>*27355</b>	Gasket—Intake Elbow Mounting (2 used)			<b>Note:</b> <b>210400</b> Housing—Starter Clutch Used before Code No. 6405250.
			<b>56</b>	<b>280117</b>	Pulley—Rewind Starter Used after Code No. 6506301.	<b>68</b>	<b>63770</b>	Ball—Clutch
				<b>Note:</b> <b>294088</b>	Pulley—Rewind Starter Used before Code No. 6507011.	<b>69</b>	<b>66718</b>	Washer—Thrust
			<b>57</b>	<b>294303</b>	Spring—Rewind Starter	<b>70</b>	<b>298436</b>	Ratchet—Rewind and Wind-up Starter Used after Code No. 6405220.
			<b>58</b>	<b>66694</b>	Rope—Starter—48-5/8" Used after Code No. 6506301.			<b>Note:</b> <b>296597</b> Ratchet—Rewind and Wind-up Starter Used before Code No. 6405250.
				<b>Note:</b> <b>395022</b>	Rope—Starter—47-1/8 4 long Used before Code No. 6507011. If longer rope is needed, order No. 66684 (used after Series No. 6506301) or No. 66514 (used before Code No. 6507011) and cut to required length.			<b>298799</b> Ratchet—Rewind Used on Type Nos. 0142, 0167, 0211, 0319, 0323, 0334, 0336, 0364, 0380, 0393, 0412, 0419, 0444, 0447, 0507, 0533, 0576, 0619, 0718, 0723, 0738, 0837, 0902, 9387, 9451, 9489, 9599.
<b>45</b>	<b>230173</b>	Tappet—Valve	<b>59</b>	<b>230228</b>	Pin—Starter Grip	<b>71</b>	<b>221653</b>	Washer—Clutch Retainer Used after Code No. 6405220.
<b>46</b>	<b>210453</b>	Gear—Cam	<b>60</b>	<b>393152</b>	Grip—Starter Rope			<b>Note:</b> <b>221301</b> Washer—Clutch Retainer (Used before Code No. 6405220)
	<b>Note:</b> <b>210804</b>	Gear—Cam Used on <i>Model 80200</i> Series Type Nos. 948025, 948026, 948039, 948040, 948107, 948125, 948163, 948170, 948173, 948198; also used on <i>Model 81200</i> Series Type Nos. 948525, 948526, 948539, 948540, 948566.	<b>61</b>	<b>68618</b>	Bumper—Starter Pulley (Used only with Steel Pulley)	<b>72</b>	<b>26032</b>	Spring—Clutch Retainer—Washer (Used before Code No. 6405220)
	<b>211337</b>	Gear—Cam Used on <i>Model 80200</i> Series Type Nos. 0133, 0135, 0136, 0158, 0162, 0197, 0234, 0243, 0332, 0401, 0539, 0582, 0592, 0600, 0613, 0614, 0731, 0734, 0744, 0753, 0761, 0787, 0834, 0915, 1016,	<b>66</b>	<b>298310</b>	Clutch Assembly—Rewind and Wind-up Starter Used after Code No. 6405220.	<b>73</b>	<b>221661</b>	Screen—Rotating Used after Code No. 6405220.
				<b>Note:</b> <b>298798</b>	Clutch Assy.—Rewind and Wind-up Starter Used before Code No. 6405250 and on Type Nos. 0142, 0167, 0211, 0319, 0323, 0334, 0336, 0364, 0380, 0383, 0412, 0419, 0444, 0447, 0507, 0533, 0576, 0619, 0718, 0723, 0738, 0837, 0902, 9387, 9451, 9489, 9599.			<b>Note:</b> <b>220648</b> Screen—Rotating (Used before Code No. 6405250)
						<b>74</b>	<b>93490</b>	Screw—Rotating Screen Mounting Sem
						<b>75</b>	<b>220865</b>	Washer—Spring

\*Included in Gasket Set—  
Part No. 297275.

**80200 to 80299**  
**81200 to 81299**

REF. NO.	PART NO.	DESCRIPTION	REF. NO.	PART NO.	DESCRIPTION	REF. NO.	PART NO.	DESCRIPTION	
76	68238	Washer—Ratchet Sealing Used after Code No. 6405220. <b>Note:</b> 270045 Washer—Sealing Used before Code No. 6405250 on <i>Model 80200</i> Series Type Nos. 0142, 0147, 0157, 0162, 0167, 0175, 0178, 0186, 0192, 0201, 0211, 0228, 948051, 948126, 948154, 948156, 948158, 948159, 948164, 948172, 948178, 948183, 948190, 948204, 948217, also used on <i>Model 81200</i> Series Type No. 0132.		211845	Shaft Assembly—Drive Used on <i>Model 80200</i> Series Type Nos. 0447.		296799	Carb. Assy. (Choke-A-Matic) (2 Quart) Used on <i>Model 80200</i> Series Type Nos. 0132, 0142, 0144, 0234, 0242, 0273, 0278, 0293, 0319, 0328, 0333, 0352, 0357, 0366, 0372, 0388, 0404, 0406, 0422, 0430, 0458, 0477, 0486, 0493, 0501, 0506, 0515, 0540, 0545, 0546, 0547, 0549, 0572, 0590, 0601, 0632, 0635, 0651, 0656, 0661, 0662, 0668, 0678, 0679, 0680, 0687, 0702, 0708, 0710, 0714, 0723, 0732, 0737, 0740, 0741, 0747, 0752, 0753, 0786, 0797, 0803, 0815, 0837, 0839, 0842, 0855, 0864, 0870, 0879, 0903, 0904, 0912, 0930, 1004, 1010, 1017, 1022, 1080, 1081, 1082, 1089, 1097, 1123, 1129, 948027, 948028, 948029, 948030, 948031, 948032, 948033, 948034, 948035, 948036, 948037, 948038, 948039, 948040, 948072, 948092, 948111, 948114, 948125, 948130, 948148, 948172, 948177, 948183, 948184; also used on <i>Model 81200</i> Series Type Nos. 0172, 0174, 0201, 948527, 948528, 948529, 948530, 948531, 948532, 948533, 948534, 948535.	
			84	92617	Plug—Breather				
			85	92747	Screw—Gear Case Mounting Sem				
			86	291730	Cover Assembly—Gear Case <b>Note:</b> Order—Cover Assy.—Gear Case Used on Type No. 948617 from the equipment manufacturer.				
			87	19011	Seal—Oil				
			88	27313	Gasket—Gear Case Cover				
			89	93448	Plug—Oil Drain, 1/4" Pipe Thread (Used after Code No. 6304170) <b>Note:</b> 92015 Plug—Oil Drain 1/8" Pipe Thread (Used before Code No. 6304180)				
78	93705	Screw—Pulley Screen Mounting Sem	90	393976	Carburetor Assembly (For 2 Quart Tank) <b>Note:</b> All Carburetors listed under Ref. 90 use 222955 Ref. 156 Lever. 393975 Carburetor Assembly (For 1 Quart Tank) 393977 Carburetor Assembly (For 3 Quart Tank)				
79	290779	Case Assy.—Gear							
80	27667	Gasket—Gear Case							
81	220234	Lock—Gear Case Mounting Screw							
82	91541	Screw—Cap, Hex. Hd.—5/16-24 x 7/8"							
82A	92279	Screw—Cap, Hex. Hd.—5/16-24 x 1-1/2"							
83	211293	Shaft Assembly—Drive <b>Note:</b> Order—Shaft Assembly—Drive Used on Type Nos. 948617 from the equipment manufacturer. 211338 Shaft Assembly—Drive Used on <i>Model 80200</i> Series Type Nos. 0157, 0211, 948157, 948185 211340 Shaft Assembly—Drive Used on <i>Model 80200</i> Series Type Nos. 0380, 948097; also used on <i>Model 81200</i> Series Type No. 948546.		90A	296784	Carburetor Assembly (Manual Choke) (2 Quart) <b>Note:</b> 296785 Carburetor Assy. (Manual Choke) (1 Quart) Used on <i>Model 80200</i> Series Type Nos. 0205, 0299, 0318, 0614, 0850, 0877, 0915, 948193; also used on <i>Model 81200</i> Series Type Nos. 0163, 948598.			

**80200 to 80299**  
**81200 to 81299**

REF. NO.	PART NO.	DESCRIPTION	REF. NO.	PART NO.	DESCRIPTION	REF. NO.	PART NO.	DESCRIPTION
	948536, 948537, 948538, 948539, 948540, 948548, 948550, 948553, 948560, 948606, 948641.			0809, 0832, 0835, 0843, 0898, 0925, 1006, 1087, 1112, 1135,				<b>296902</b> Carburetor Assy. (Manual Choke) (2 Quart) Used on <i>Model 81200</i> Series Type No. 948561.
	<b>296800</b> Carb. Assy. (Choke-A-Matic) (1 Quart) Used on <i>Model 80200</i> Series Type Nos. 0237, 0330, 0378, 0381, 0399, 0465, 0476, 0491, 0503, 0528, 0553, 0568, 0570, 0573, 0592, 0696, 0734, 0736, 0751, 0761, 0787, 0801, 0805, 0848, 0858, 0872, 0876, 0880, 1003, 1042, 1048, 1064, 1088, 1108, 948102, 948133, 948143, 948168; also used on <i>Model</i> <i>81200</i> Series Type No. 948630.			948047, 948048, 948067, 948069, 948076, 948082, 948084, 948090, 948103, 948104, 948117, 948118, 948119, 948134, 948141, 948155, 948179, 948186, 948191, 948199, 948205, 948213, 948215, 948218, 948224, 948225, 948226, 948228; also used on <i>Model 81200</i> Series Type Nos. 0116, 0133, 0144, 0147, 0154, 0162, 0175, 0176, 0190, 0193, 0200, 948571, 948575, 948576, 948577, 948595, 948596, 948608, 948609, 948612, 948617, 948621, 948624, 948625, 948637, 948644, 948646, 948658, 948659, 948665.				<b>296903</b> Carburetor Assy. (Manual Choke) (3 Quart) Used on <i>Model 80200</i> Series Type Nos. 0152, 0156, 0163, 0173, 0186, 0187, 0210, 0229, 0231, 0232, 0233, 0244, 0253, 0263, 0271, 0281, 0283, 0288, 0294, 0297, 0304, 0334, 0345, 0379, 0389, 0392, 0400, 0410, 0423, 0438, 0453, 0467, 0484, 0498, 0529, 0578, 0621, 0639, 0645, 0672, 0689, 0733, 0750, 0766, 0774, 0821, 0826, 0846, 0896, 1033, 1077, 948045, 948046, 948049, 948071, 948075, 948079, 948080, 948089, 948099, 948115, 948116, 948121, 948137, 948140, 948150, 948154, 948174, 948176, 948180, 948182, 948203, 948206, 948207, 948220; also used on <i>Model 81200</i> Series Type Nos. 0138, 0148, 0158, 0161, 0167, 0171, 0179, 0187, 0192, 0199, 948545, 948563, 948592, 948611, 948620, 948634, 948642, 948645, 948650, 948652, 948664.
	<b>296825</b> Carb. Assy. (Manual Choke) (3 Quart) Used on <i>Model 80200</i> Series Type Nos. 0143, 0165, 0166, 0168, 0190, 1093, 0199, 0200, 0203, 0207, 0208, 0218, 0219, 0222, 0223, 0225, 0227, 0239, 0240, 0245, 0254, 0257, 0259, 0277, 0287, 0295, 0302, 0313, 0327, 0349, 0356, 0362, 0374, 0375, 0390, 0391, 0421, 0428, 0432, 0448, 0456, 0473, 0516, 0534, 0561, 0597, 0603, 0608, 0617, 0638, 0640, 0691, 0706, 0729, 0759, 0764, 0772, 0778, 0791, 0792,			<b>296882</b> Carburetor Assy. (Choke-A-Matic) Used on <i>Model 80200</i> Series Type Nos. 0015, 0018, 0148, 0154, 0160, 0213, 0256, 0490, 0519, 0582, 0785, 0822, 1105, 1128, 948051, 948052, 948053, 948054, 948061, 948073, 948074, 948107, 948113, 948163, 948165, 948198; also used on <i>Model 81200</i> Series Type Nos. 948566, 948582, 948661.				



**80200 to 80299**  
**81200 to 81299**

REF. NO.	PART NO.	DESCRIPTION	REF. NO.	PART NO.	DESCRIPTION	REF. NO.	PART NO.	DESCRIPTION		
	<b>296904</b>	Carburetor Assy. (Manual Choke) (2 Quart) Used on <i>Model 80200</i> Series Type Nos. 0149, 0153, 0157, 0172, 0178, 0185, 0194, 0202, 0211, 0220, 0225, 0230, 0238, 0243, 0246, 0249, 0250, 0260, 0270, 0272, 0275, 0276, 0279, 0280, 0284, 0285, 0291, 0296, 0298, 0301, 0303, 0307, 0308, 0317, 0336, 0337, 0339, 0342, 0343, 0360, 0361, 0363, 0368, 0373, 0376, 0380, 0382, 0385, 0393, 0398, 0402, 0405, 0408, 0412, 0419, 0420, 0424, 0425, 0459, 0464, 0466, 0471, 0475, 0480, 0494, 0518, 0521, 0527, 0535, 0544, 0551, 0552, 0567, 0586, 0588, 0596, 0606, 0618, 0629, 0633, 0634, 0636, 0660, 0675, 0681, 0704, 0707, 0783, 0784, 0810, 0823, 0824, 0853, 0854, 0866, 0873, 0882, 0901, 0906, 0910, 0918, 0926, 0927, 0932, 1009, 1026, 1034, 1074, 1114, 1138, 948050, 948055, 948060, 948062, 948064, 948066, 948077, 948081, 948083, 948091, 948096, 948098, 948110, 948124, 948128, 948129, 948132, 948144, 948145, 948149, 948156, 948167,		948178, 948181, 948185, 948192, 948196, 948201, 948208, 948210, 948214, 948227; also used on <i>Model 81200</i> Series Type Nos. 0132, 0135, 0136, 0137, 0140, 0141, 0143, 0152, 0155, 0165, 0166, 0168, 0169, 0170, 0186, 948551, 948562, 948581, 948583, 948584, 948585, 948587, 948588, 948605, 948610, 948613, 948614, 948615, 948616, 948627, 948635, 948636, 948648, 948649, 948653, 948655, 948656, 948657.		<b>296905</b> Carburetor Assy. (Manual Choke) (1 Quart) Used on <i>Model 80200</i> Series Type Nos. 0268, 0292, 0365, 0487, 0512, 0542, 0554, 0583, 0600, 0615, 0652, 0657, 0666, 0701, 0727, 0796, 0808, 0851, 0860, 0875, 0888, 0908, 0917, 0929, 1008, 1070, 948097, 948105, 948126, 948157; also used on <i>Model 81200</i> Series Type Nos. 0177, 948546, 948549, 948622, 948638,		<b>296921</b> Carburetor Assy. (Choke-A-Matic) Used on <i>Model 80200</i> Series Type Nos. 0136, 0151, 0269, 0323, 0332, 0344, 0355, 0504, 0579, 0669, 0693,		948146; also used on <i>Model 81200</i> Series Type Nos. 948567, 948568, 948603, 948604, 948651. <b>296927</b> Carburetor Assy. (Manual Choke) Used on <i>Model 80200</i> Series Type Nos. 0140, 0141, 0158, 0159, 0181, 0189, 0197, 0212, 0258, 0326, 0395, 0401, 0536, 0539, 948058, 948078, 948112, 948135, 948160, 948170, 948173, 948175, 948212, 948230; also used on <i>Model 81200</i> Series Type Nos. 948559, 948562, 948579, 948594, 948607, 948667. <b>297019</b> Carburetor Assu. (Choke-A-Matic) Used on <i>Model 80200</i> Series Type Nos. 0248, 0255; also used on <i>Model 81200</i> Series Type Nos. 948589. <b>297047</b> Carburetor Assy. (Manual Choke) Used on <i>Model 80200</i> Series Type Nos. 0182, 948095, 948194; also used on <i>Model 81200</i> Series Type Nos. 948597, 948631, 948633. <b>297140</b> Carburetor Assy. (Mech. Governor—Manual Choke) (3 Quart) Used on <i>Model 80200</i> Series Type Nos. 9165, 9191, 9251, 9252, 9312, 9325, 9354, 9383, 9439, 9451, 9489, 9513, 9575, 9599, 9622, 9648, 9673, 9743,

**80200 to 80299**  
**81200 to 81299**

REF. NO.	PART NO.	DESCRIPTION	REF. NO.	PART NO.	DESCRIPTION	REF. NO.	PART NO.	DESCRIPTION
		9755, 9804, 9828, 9852, 9886, 9955, 951044, 951045; also used on <i>Model 81200</i> Series Type No. 951526.			used on <i>Model 81200</i> Series Type Nos. 9139, 9151, 9183, 9188, 9197, 951510, 951511, 951512, 951513, 951515, 951516, 951517, 951518, 951520, 951521, 951522, 951523, 951525, 951541, 951545.			<b>297882</b> Carburetor Assy. (Manual Choke) Used on <i>Model 80200</i> Series Type Nos. 0175, 948151.
		<b>297143</b> Carburetor Assy. (Mech. Governor—Manual Choke) (1 Quart) Used on <i>Model 80200</i> Series Type Nos. 9305, 9324, 9409, 9414, 9415, 9452.			<b>297202</b> Carburetor Assy. (Mech. Governor—Manual Choke) Used on <i>Model 80200</i> Series Type Nos. 9024, 9347, 951039, 951040, 951042; also used on <i>Model 81200</i> Series Type Nos. 951540, 951542, 951543, 951544.			<b>297903</b> Carburetor Assy. (Manual Choke) (2 Quart) Used on <i>Model 80200</i> Series Type Nos. 0167, 0192, 0228, 0236, 0369, 0407, 0447, 0461, 0474, 0500, 0507, 0533, 0576, 0595, 0626, 0690, 0699, 0712, 0718, 0735, 0758, 0765, 0779, 0789, 0802, 0813, 0829, 0833, 0847, 0889, 0933, 1007, 1016, 1024, 1025, 1028, 1029, 1038, 1053, 1056, 1062, 1066, 1068, 1071, 1073, 1103, 1106, 1117, 1121, 1132, 948217; also used on <i>Model 81200</i> Series Type Nos. 0142, 0160, 0202, 948647, 948654, 948662.
		<b>297153</b> Carburetor Assy. (Mech. Governor—Manual Choke) (2 Quart) Used on <i>Model 80200</i> Series Type Nos. 9044, 9133, 9134, 9145, 9146, 9155, 9196, 9217, 9300, 9309, 9314, 9377, 9387, 9397, 9416, 9417, 9418, 9440, 9450, 9469, 9495, 9509, 9530, 9538, 9563, 9571, 9598, 9609, 9620, 9623, 9628, 9631, 9642, 9643, 9654, 9700, 9711, 9715, 9724, 9745, 9746, 9756, 9768, 9770, 9773, 9780, 9817, 9819, 9830, 9859, 9868, 9878, 9884, 9885, 9887, 9891, 9893, 9894, 9911, 9934, 9940, 9943, 9945, 9946, 9947, 9949, 9950, 9951, 9952, 9953, 9954, 9957, 9958, 951010, 951011, 951012, 951013, 951015, 951016, 951017, 951018, 951020, 951021, 951022, 951023, 951025, 951026, 951043, 951046; also,			<b>297203</b> Carburetor Assy. (Mech. Governor—Manual Choke) Used on <i>Model 80200</i> Series Type Nos. 9023, 9253, 951041; also used on <i>Model 81200</i> Series Type No. 951539.			<b>297995</b> Carburetor Assy. (Choke-A-Matic) Used on <i>Model 80200</i> Series Type Nos. 0162, 0514, 1130, 948158, 948164.
					<b>297223</b> Carburetor Assy. (Manual Choke) Used on <i>Model 80200</i> Series Type Nos. 0264, 0429, 0481; also used on <i>Model 81200</i> Series Type Nos. 0157, 948619, 948663.			<b>391463</b> Carburetor Assy. (3 Quart) Used on <i>Model 80200</i> Series Type No. 0602.
					<b>297419</b> Carburetor Assy. (Manual Choke) Used on <i>Model 80200</i> Series Type Nos. 0262, 0266, 948106.			
					<b>297877</b> Carburetor Assy. (Manual Choke) Used on <i>Model 80200</i> Series Type No. 948152.			

**80200 to 80299**  
**81200 to 81299**

REF. NO.	PART NO.	DESCRIPTION	REF. NO.	PART NO.	DESCRIPTION	REF. NO.	PART NO.	DESCRIPTION
	<b>391773</b>	Carburetor Assy. Used on Type Nos. 0659, 0799, 0909, 0922.	<b>97</b>	<b>297961</b>	Shaft and Lever—Throttle			948077, 948110, 948116, 948149, 948150, 948151, 948152, 948217; also used on <i>Model 81200</i>
	<b>393975</b>	Carburetor Assy. (1 Quart) Used on <i>Model 80200</i> Series Type Nos. 0492, 0502, 0862, 0869, 948136, 948153, 948204; also used on <i>Model 81200</i> Series Type Nos. 948552, 948632.	<b>98</b>	<b>93524</b>	Screw—Machine, Rd. Hd.—5-40 x 1/2"			Series Type Nos. 0101, 0102, 0103, 0104, 0142, 0155, 0157, 0160, 0170, 948619, 948633, 948638, 948645, 948647, 948654, 948662, 948663.
	<b>393976</b>	Carburetor Assy. (Manual Choke) (2 Quart) Used on <i>Model 80200</i> Series Type Nos. 0201, 0431, 0435, 0436, 0437, 0441, 0443, 0444, 0446, 0449, 0454, 0455, 0460, 0463, 0468, 0470, 0472, 0478, 0482, 0511, 0522, 0524, 0531, 0543, 0555, 0565, 0569, 0585, 0619, 0647, 0650, 0738, 0748, 0776, 0793, 0800, 0812, 0820, 0831, 0838, 0883, 0899, 0902, 0916, 0923, 0931, 0939, 1005, 1011, 1018, 1019, 948159, 948190.	<b>99</b>	<b>393586</b>	Spring (Includes Fil. Hd. Screw)	<b>152</b>	<b>260746</b>	Spring Throttle Adjustment
	<b>393977</b>	Carburetor Assy. (Manual Friction) (3 Quart) Used on Type Nos. 0351, 0413, 0442, 0462, 0526, 0532, 0587, 0589, 0670, 0686, 0739, 0767, 0871, 0914.	<b>101</b>	<b>93043</b>	Pin—Governor Shaft	<b>152A</b>	<b>260575</b>	Spring—Speed and Throttle Adjustment
<b>95</b>	<b>93499</b>	Screw—Throttle Valve Mounting Sem	<b>114</b>	<b>66594</b>	Gasket—Needle Valve Nut <b>Note:</b> <b>66604</b> Gasket—Needle Valve Nut Used on <i>Model 80200</i> Series Type Nos. 9023, 9024, 9253, 9347; also used on <i>Model 81200</i> Series Type Nos. 951539, 951540.	<b>153</b>	<b>298031</b>	Screw—Carburetor Cam and Lever <b>Note:</b> <b>93177</b> Screw—Bell Crank <b>230531</b> Collar—Bell Crank <b>220982</b> Washer Used on <i>Model 80200</i> Series Type Nos. 0015, 0018, 0137, 0147, 0148, 0154, 0160, 0162, 0175, 0213, 0248, 0255, 0256, 0282, 0413, 0490, 0514, 0519, 0582, 0834, 1130, 948051, 948052, 948053, 948054, 948061, 948073, 948074, 948107, 948113, 948151, 948154, 948158, 948163, 948164, 948165, 948198; also used on <i>Model 81200</i> Series Type Nos. 948566, 948582, 948589, 948661. <b>93342</b> Screw—Bell Crank
<b>96</b>	<b>211203</b>	Valve Throttle	<b>116</b>	<b>65978</b>	Packing—Needle Valve			
<b>96A</b>	<b>211067</b>	Throttle—Carburetor	<b>117</b>	<b>230590</b>	Nut—Needle Valve			
			<b>118</b>	<b>23433</b>	Valve—Needle			
			<b>120</b>	<b>92290</b>	Washer—Lock—No. 10 x 1/16 x 3/64			
			<b>124</b>	<b>93357</b>	Screw—Hex. Hd.			
			<b>147</b>	<b>230591</b>	Seat—Needle Valve			
			<b>148</b>	<b>22235</b>	Washer—Needle Valve (2)			
			<b>149</b>	<b>26336</b>	Spring—Needle Valve			
			<b>150</b>	<b>220105</b>	Connector—Gov. Link			
			<b>151</b>	<b>93350</b>	Screw—Machine, Rd. Hd. 5-40 x 3/4" <b>Note:</b> <b>93527</b> Screw—Machine, Rd. Hd.—5-40 x 5/8" Used on <i>Model 80200</i> Series Type Nos. 0016, 0035, 0036, 0037, 0038, 0039, 0049, 0167, 0192, 0194, 0210, 0228, 0230, 0262, 0264, 0266, 0268, 0292, 0298, 0308, 0369, 0413, 0420, 0429, 0475, 0481, 0551, 0556, 0602, 0626, 0655, 0670, 0739, 0814, 0841, 0845, 0849, 0854, 0862, 0869, 0871, 0905, 0909, 0913, 0914, 0921, 0922, 1006, 1101, 1102.			

**80200 to 80299**  
**81200 to 81299**

REF. NO.	PART NO.	DESCRIPTION	REF. NO.	PART NO.	DESCRIPTION	REF. NO.	PART NO.	DESCRIPTION
	<b>230450</b>	Collar—Bell Crank Used on Model 80200 Series Type Nos. 0016, 0140, 0141, 0158, 0159, 0181, 0182, 0189, 0197, 0212, 0252, 0258, 0262, 0264, 0266, 0326, 0395, 0401, 0429, 0481, 0536, 0539, 0558, 0649, 948058, 948078, 948095, 948106, 948112, 948135, 948160, 948170, 948173, 948175, 948194, 948212, 948230; also used on Model 81200 Series Type Nos. 0157, 948559, 948562, 948579, 948594, 948597, 948607, 948619, 948631, 948633, 948663, 948667.	<b>163</b>	<b>270488</b>	Gasket—Air Cleaner Mounting			0229, 0231, 0232, 0233, 0239, 0240, 0244, 0245, 0248, 0253, 0254, 0255, 0257, 0259, 0263, 0269, 0271, 0277, 0281, 0283, 0287, 0288, 0294, 0295, 0297, 0302, 0304, 0313, 0323, 0327, 0332, 0334, 0344, 0345, 0349, 0351, 0355, 0356, 0362, 0374, 0375, 0379, 0389, 0390, 0391, 0392, 0400, 0410, 0413, 0421, 0423, 0428, 0432, 0438, 0442, 0448, 0453, 0456, 0462, 0467, 0473, 0484, 0498, 0504, 0516, 0526, 0529, 0532, 0534, 0561, 0578, 0579, 0587, 0589, 0597, 0602, 0621, 0638, 0639, 0640, 0645, 0669, 0670, 0672, 0686, 0689, 0691, 0693, 0706, 0729, 0733, 0739, 0750, 0759, 0764, 0766, 0767, 0772, 0774, 0778, 0791, 0792, 0809, 0821, 0826, 0832, 0843, 0846, 0871, 0896, 0898, 0914, 0941, 1006, 1015, 1033, 1051, 1055, 1069, 1077, 1087, 1090, 1101, 1102, 1109, 1111, 1112, 1116, 1120, 1127, 1135, 1140, 9165, 9191, 9251, 9252, 9312, 9325, 9347, 9354, 9383, 9439, 9451, 9489, 9513, 9575, 9599, 9622, 9648, 9673, 9743, 9755, 9804, 9828, 9852, 9886, 9955, 948045, 948046, 948047, 948048,
	<b>154</b>	<b>93527</b> Screw—Machine, Rd. Hd.—5-40 x 5/8"	<b>163A</b>	<b>27660</b>	Gasket—Air Cleaner Mounting			
	<b>155</b>	<b>220107</b> Cam—Speed Adjuster	<b>165</b>	<b>93856</b>	Wing Nut <b>Note:</b> <b>92067</b> Nut—Wing Used on Type Nos. 1000.			
	<b>156</b>	<b>222955</b> Lever—Speed Adjuster	<b>166</b>	<b>231176</b>	Stud—Air Cleaner <b>Note:</b> <b>230058</b> Stud—Air Cleaner Used on Type Nos. 1000.			
	<b>156A</b>	<b>220949</b> Lever—Speed Adjuster <b>Note:</b> For <b>220952</b> Lever—Speed Adjuster, see Ref. No. 256. Used on Model 80200	<b>172</b>	<b>271077</b>	Spacer—Air Cleaner			
	<b>160</b>	<b>294870</b> Cleaner Assy.—Air (Includes Mounting Stud)	<b>172A</b>	<b>27795</b>	Gasket—Air Cleaner			
	<b>161</b>	<b>293991</b> Bowl—Air Cleaner	<b>180</b>	<b>296591</b>	Tank Assy.—Fuel (2 Quart) <b>Note:</b> <b>296377</b> Tank Assy.—Fuel (1 Quart) Used on Model 80200 Series Type Nos. 0162, 0175, 0262, 0266, 0514, 9305, 9324, 9409, 9414, 9415, 9452, 948097, 948102, 948105, 948106, 948126, 948133, 948136, 948143, 948153, 948157, 948158, 948164, 948168, 948193, 948204; also used on Model 81200 Series Type Nos. 0163, 0177, 948546, 948549, 948552, 948598, 948622, 948630, 948632, 948638.			
	<b>162</b>	<b>294861</b> Cover and Filter—Air Cleaner <b>Note:</b> <b>297778</b> Cover—Carburetor Intake Includes Mounting Stud Used on Model 80200 Series Type Nos. 0284, 948097, 948102, 948128, 948172, 948204; also used on Model 81200 Series Type No. 948546.			<b>296592</b> Tank Assy.—Fuel (3 Quart) Used on Model 80200 Series Type Nos. 0136, 0143, 0151, 0152, 0156, 0163, 0165, 0166, 0168, 0173, 0182, 0186, 0187, 0190, 0193, 0199, 0200, 0203, 0207, 0208, 0210, 0218, 0219, 0222, 0223, 0226, 0227,			

**80200 to 80299**  
**81200 to 81299**

REF. NO.	PART NO.	DESCRIPTION	REF. NO.	PART NO.	DESCRIPTION	REF. NO.	PART NO.	DESCRIPTION
	948049, 948057,			948645, 948646,				<b>391351</b> Tank Assy.—
	948067, 948069,			948650, 948651,				Fuel
	948071, 948075,			948652, 948658,				Used on <i>Model 80200</i>
	948076, 948079,			948659, 948664,				Series Type No. 0615.
	948080, 948082,			948665, 951526,				<b>391352</b> Tank Assy.—
	948084, 948089,			951540, 951542,				Fuel (2 Quart)
	948090, 948095,			951543, 951544.				Used on <i>Model 80200</i>
	948099, 948103,			<b>297880</b> Tank Assy.—				Series Type Nos.
	948104, 948115,			Fuel (1 Quart)				0606, 0857, 1000,
	948116, 948117,			Used on <i>Model 8020</i>				9643.
	948118, 948119,			Series Type Nos.				<b>391353</b> Tank Assy.—
	948121, 948134,			948151, 948152.				Fuel (3 Quart)
	948137, 948140,			<b>297904</b> Tank Assy.—				Used on <i>Model 80200</i>
	948141, 948146,			Fuel (2 Quart)				Series Type Nos.
	948150, 948155,			Used on <i>Model 80200</i>				0603, 0608, 0617,
	948174, 948176,			Series Type Nos.				0835, 0925.
	948179, 948180,			948154, 948156,		<b>181</b>	<b>298425</b>	Cap—Fuel Tank
	948182, 948186,			948158, 948159.			<b>Note:</b>	<b>293270</b> Cap—Fuel Tank
	948191, 948194,			<b>299817</b> Tank Assy.—				Used on Type Nos.
	948199, 948203,			Fuel (1 Quart—with				0308, 0424, 0431,
	948205, 948206,			Bracket)				0435, 0449, 0463,
	948207, 948213,			Used on <i>Model 80200</i>				0466, 0471, 0472,
	948215, 948218,			Series Type Nos.				0475, 0478, 0481,
	948220, 948222,			0019, 0205, 0237,				0482, 0522.
	948224, 948225,			0268, 0292, 0299,				<b>297863</b> Cap—Fuel Tank
	948226, 948228,			0318, 0330, 0365,				Used on <i>Model 80200</i>
	951039, 951040,			0378, 0381, 0399,				Series Type Nos.
	951042, 951044,			0465, 0476, 0487,				0142, 0147, 0157,
	951045; also used on			0491, 0492, 0502,				0167, 0175, 0178,
	<i>Model 81200</i> Series			0503, 0512, 0528,				0192, 0201, 0211,
	Type Nos. 0116, 0133,			0542, 0553, 0554,				0242, 0243, 0308,
	0138, 0144, 0147,			0568, 0570, 0573,				0380, 0393, 0412,
	0148, 0153, 0154,			0583, 0592, 0600,				0424, 0431, 0435,
	0158, 0161, 0162,			0614, 0652, 0657,				0444, 0446, 0447,
	0167, 0171, 0175,			0659, 0666, 0696,				0449, 0463, 0466,
	0176, 0179, 0187,			0701, 0727, 0734,				0471, 0472, 0475,
	0190, 0192, 0193,			0736, 0751, 0761,				0478, 0481, 0482,
	0199, 0200,			0787, 0796, 0799,				0507, 0533, 0576,
	948545, 948563,			0801, 0805, 0808,				0619, 0718, 0723,
	948567, 948568,			0848, 0850, 0851,				0738, 0837, 0902,
	948571, 948575,			0858, 0860, 0862,				9252, 9387, 9440,
	948576, 948577,			0869, 0872, 0875,				9451, 9469, 9489,
	948589, 948592,			0876, 0877, 0880,				9563, 9599,
	948595, 948596,			0888, 0908, 0909,				948126, 948151,
	948597, 948603,			0915, 0917, 0922,				948152, 948154,
	948604, 948608,			0929, 0935, 0936,				948156, 948158,
	948609, 948611,			1003, 1008, 1014,				948159, 948164,
	948612, 948617,			1042, 1048, 1058,				948178, 948185,
	948620, 948621,			1063, 1064, 1067,				948190, 948204,
	948624, 948625,			1070, 1088, 1107,				948217; also used on
	948631, 948633,			1108, 1115, 1130.				<i>Model 81200</i> Series
	948634, 948637,							Type Nos. 0170, 9139,
	948642, 948644,							9183,
								951541, 951545.

**80200 to 80299**  
**81200 to 81299**

REF. NO.	PART NO.	DESCRIPTION	REF. NO.	PART NO.	DESCRIPTION	REF. NO.	PART NO.	DESCRIPTION
		<b>392304</b> Cap—Fuel Tank Used on Type Nos. 0781, 1028, 1071.			0256, 0282, 0413, 0490, 0514, 0519, 0582, 0834, 1130, 948051, 948052, 948053, 948054, 948061, 948073, 948074, 948107, 948113, 948151, 948154, 948158, 948163, 948164, 948165, 948198; also used on <i>Model 81200</i>			<b>Note:</b> <b>260545</b> Spring—Air Vane Governor Used before Code No. 6602121 on Type No. Series 0010 to 0311 and on all Type Nos. 948010 to 948999.
<b>189</b>	<b>90366</b>	Washer—Lock— 5/16 x 1/8 x 1/16"			948113, 948151, 948154, 948158, 948163, 948164, 948165, 948198; also used on <i>Model 81200</i>			Used on <i>Model 81200</i> Series Type No. 948661.
<b>190</b>	<b>93440</b>	Screw—Fuel Tank Mounting Sem			Series Type Nos. 948566, 948582, 948589, 948661.			<b>260662</b> Spring—Air Vane Governor Used on <i>Model 80200</i> Series Type Nos. 0328, 0330, 0352, 0378, 0388, 0399, 0568, 0570, 0572, 0573, 0601, 0651, 0656, 0661, 0723, 0736, 0737, 0741, 0801, 0815, 0879, 0880, 0903, 0904, 1003, 1042, 1048, 1064, 1108, 1123, 1129.
<b>191</b>	<b>*27911</b>	Gasket—Fuel Tank Mounting			<b>221390</b> Crank—Bell Used on <i>Model 80200</i> Series Type Nos. 0016, 0140, 0141, 0158, 0159, 0181, 0182, 0189, 0197, 0212, 0252, 0258, 0262, 0264, 0266, 0326, 0429, 0481, 0536, 0539, 0558, 0649, 948058, 948078, 948095, 948106, 948112, 948135, 948160, 948170, 948173, 948175, 948194, 948212, 948230; also used on <i>Model 81200</i> Series Type Nos. 0157, 948559, 948562, 948579, 948594, 948597, 948607, 948619, 948631, 948633, 948663, 948667.			<b>260687</b> Spring—Air Vane Governor Used on <i>Model 80200</i> Series Type Nos. 0323, 0332, 0344, 0366, 0515, 0546, 0632, 0635, 0659, 0669, 0679, 0708, 0710, 0732, 0740, 0786, 0787, 0799, 0805, 0837, 0842, 0855, 0864, 0881, 0892, 0909, 0922, 1004, 1022, 1080, 1081, 1082, 1088, 1097.
	<b>Note:</b>	Engines using 3 Quart tank Nos. 296592, and 391353 require (2) gaskets.						
<b>200</b>	<b>297310</b>	Blade—Governor (Used on and after Serial No. 6212310)						
	<b>Note:</b>	<b>221456</b> Guide—Air Used on and after Serial No. 6212310 only on Mechanical Governor Series 9000 and up; also 951010 to 951999.	<b>204</b>	<b>23688</b>	Bushing—Gov. Lever	<b>209B</b>	<b>260546</b>	Spring—Mechanical Governor Used only on Mechanical Governor Series 9000 and up; also 951010 to 951999.
<b>200A</b>	<b>294298</b>	Blade—Governor (Used before Serial No. 6212310)	<b>205</b>	<b>230671</b>	Screw—Bell Crank	<b>216</b>	<b>260449</b>	Link—Choke
	<b>Note:</b>	<b>220692</b> Guide—Air Used before Serial 6212310 only on Type No. Series 951010 to 951999.	<b>206</b>	<b>230149</b>	Nut—Control Rod	<b>217</b>	<b>260189</b>	Spring—Choke Link
<b>201</b>	<b>260898</b>	Link—Governor	<b>207</b>	<b>26855</b>	Spring—Control Rod	<b>218</b>	<b>221198</b>	Washer—Choke Link (3)
<b>201A</b>	<b>260565</b>	Link—Governor Used only on Mechanical Governor Series 9000 and up; also 951010 to 951999.	<b>208</b>	<b>230680</b>	Rod—Control	<b>219</b>	<b>296688</b>	Governor Housing and Gear Assembly
<b>202</b>	<b>260563</b>	Link—Throttle Used only on Mechanical Governor Series 9000 and up; also 951010 to 951999.	<b>209</b>	<b>260041</b>	Spring—Air Vane Gov.	<b>220</b>	<b>221361</b>	Washer—Thrust
<b>203</b>	<b>297069</b>	Crank—Bell	<b>209A</b>	<b>260041</b>	Spring—Air Vane Gov. Used after Code No. 6602111 on Type No. Series 0010 to 0942 except on <i>Model</i> <i>80200</i> Series Type No. 0293 after Code No. 65010111.			
	<b>Note:</b>	<b>221147</b> Crank—Bell Used on <i>Model 80200</i> Series Type Nos. 0015, 0018, 0137, 0147, 0148, 0154, 0160, 0162, 0175, 0213, 0248, 0255,						

\*Included in Gasket Set—  
Part No. 297275.

**80200 to 80299**  
**81200 to 81299**

REF. NO.	PART NO.	DESCRIPTION	REF. NO.	PART NO.	DESCRIPTION	REF. NO.	PART NO.	DESCRIPTION
221	230177	Cup—Governor	267	93496	Screw—Sem			0435, 0446, 0463,
222	220691	Bracket—Mechanical Governor	268	66986	Casing—Control Wire—48" long			0466, 0471, 0475, 0478, 0481, 0482, 0653, 0809, 1090, 948110, 948172, 948182; also used on Model 81200 Series Type Nos. 948614, 948642, 948653.
223	221389	Lever—Gov. Control		<b>Note:</b>	If longer casing is needed, specify length in inches; if a shorter casing is needed order No. 66986 and cut to required length.			295905 Muffler—Exhaust (w/Exhaust Deflector) Used on Model 80200 Series Type Nos. 0150, 0172, 0173, 0185, 0193, 0218, 0228, 0265, 0271, 0281, 0296, 0328, 0334, 0336, 0360, 0372, 0376, 0385, 0389, 0393, 0407, 0412, 0419, 0422, 0427, 0429, 0444, 0447, 0449, 0464, 0477, 0498, 0507, 0533, 0541, 0552, 0567, 0576, 0579, 0586, 0605, 0611, 0612, 0618, 0630, 0647, 0651, 0656, 0660, 0664, 0665, 0699, 0710, 0714, 0718, 0720, 9044, 9252, 9354, 9387, 9416, 9440, 9469, 9563, 9609, 9642, 948102, 948105, 948121, 948136, 948151, 948153, 948181, 948199, 948202, 948204, 948208, 951043; also used on Model 81200 Series Type Nos. 0132, 0170, 9139, 9183, 948552, 948618, 948622, 948630, 948632, 948652, 951541, 951545.
	<b>Note:</b>	221379 Lever—Gov. Control Used on Model 80200 Series Type Nos. 9161, 9184, 9187, 9312, 9314, 9354, 9416, 9417, 9513, 9878, 9943, 9949, 951043, 951046.	269	26099	Wire—Control 54" long			
224	93067	Screw—Governor Lever Mounting Sem		<b>Note:</b>	If longer wire is needed, specify length in inches; if shorter wire is needed order No. 26099 and cut to required length.			
225	230181	Shaft—Governor Lever	270	63426	Locknut—Control Wire Casing			
226	220381	Follower—Gov. Crank	271	290568	Lever Assy.—Control			
227	296087	Lever Assy.—Governor	280	221384	Bracket			
228	93100	Screw—Gov. Lever	297	91811	Locknut—Exhaust Elbow			
229	220680	Washer—Thrust	298	220859	Locknut—Muffler			
230	22868	Washer—Spacer	299	392811	Muffler—Exhaust (Lo-Tone)			
231	93064	Screw—Sem		<b>Note:</b>	394781 Guard—Muffler			
232	260478	Spring—Mechanical Governor Link Used on Mechanical Governor Series 90000 and up; also 951010 to 951999.		<b>Uses:</b>	93606 Screw (Guard to Muffler Mounting) 62199 Washer (Guard to Bracket) 93873 Screw (Guard to Bracket Mounting) 223127 Brace—Muffler Used on Type Nos. 1094, 1110, 1132.			
232A	260585	Spring—Air Vane Governor Link Used before Code No. 6602121 on Type No. Series 0010 to 0311 and 948010 to 948999.	300	89966	Muffler—Exhaust			
	<b>Note:</b>	Do Not Use with 260898 Gov. Link (Ref. 201)		<b>Note:</b>	89945 Muffler—Exhaust Used on Type Nos. 9309, 9397, 9623, 948631. 292054 Muffler—Exhaust Used on Model 80200 Series Type Nos. 0186, 0256, 0273, 0284, 0293, 0431,			
256	220952	Lever—Speed Adjuster						
257	93543	Screw—Fil Hd., 10-32 x 3/8"						
	<b>Note:</b>	93105 Screw—Sem 222018 Bracket—Locator Used on Model 80200 Series Type Nos. 0357, 0458, 0515, 0680.						
258	93062	Screw—Sem						
259	294502	Bracket—Control Wire Casing						
264	90355	Nut—Hex., 10-32						
265	221370	Clamp—Casing						

**80200 to 80299**  
**81200 to 81299**

REF. NO.	PART NO.	DESCRIPTION	REF. NO.	PART NO.	DESCRIPTION	REF. NO.	PART NO.	DESCRIPTION
		<b>297934</b> Muffler—Exhaust Used on <i>Model 80200</i> Series Type Nos. 0157, 0211, 948157, 948185.	<b>305</b>	<b>93158</b>	Screw—Sem <b>Note:</b> <b>93294</b> Screw—Blower Housing Mounting Used on <i>Model 80203, 80206, 81203, 81206</i> , Series.	<b>333</b>	<b>298502</b>	Armature—Magneto (Used on and after Code No. 6212310) <b>Note:</b> <b>298274</b> Armature—Magneto Used on <i>Model 80200</i> Series Type Nos. 0391, 0479, 0597, 0694, 9495; also used on <i>Model 81200</i> Series Type Nos. 0162, 9188.
		<b>391435</b> Muffler—Exhaust (Lo-Tone) Used on <i>Model 80200</i> Series Type Nos. 0637, 0771, 0772, 9746, 9755, 9768, 9773, 9817, 9859, 9953.	<b>306</b>	<b>220478</b>	Shield—Cylinder	<b>333A</b>	<b>291617</b>	Armature—Magneto (Used before Serial No. 6212310)
<b>303</b>	<b>91838</b>	Elbow—Exhaust (45° Street) <b>Note:</b> <b>91943</b> Elbow—Exhaust (90° Street) Used on <i>Model 80200</i> Series Type Nos. 0210, 0263, 0307, 0587, 0637, 0659, 0771, 0774, 0821, 9309, 9397, 9418, 9571, 9700, 9746, 9755, 9859, 9953, 948072, 948137, 948148, 948150, 948199; also used on <i>Model 81200</i> Series Type Nos. 0161, 948664.	<b>307</b>	<b>93490</b>	Screw—Cylinder Shield Mounting Sem	<b>334</b>	<b>93381</b>	Screw—Armature Mounting Sem
			<b>308</b>	<b>220581</b>	Cover—Cylinder Head <b>Note:</b> When ordering Cover—Cyl. Head for Type Nos. listed below, order No. <b>220884</b> Stop Switch and No. <b>220581</b> Cover together. Used on <i>Model 80200</i> Series Type Nos. 9415, 9452.	<b>335</b>	<b>93381</b>	Screw—Armature Mounting Sem
			<b>312</b>	<b>260404</b>	Spring—Brush	<b>336</b>	<b>292149</b>	Cable—Ignition <b>Note:</b> This group of ignition cables including No. 292149 is used on engines when cable is not molded into the coil. <b>294519</b> Cable—Ignition Used on Type Nos. 948076, 948561. <b>294577</b> Cable—Ignition Used on Type Nos. 948590, 948628, 948644.
			<b>321</b>	<b>210711</b>	Pulley—Starter			
			<b>323</b>	<b>67228</b>	Belt—Vee	<b>337</b>	<b>298809</b>	Plug—Spark (with gasket) (1-1/2" High—37-42 M.M.) <b>Note:</b> <b>29693</b> Plug—Spark (with gasket) (2" High—51 M.M.) <b>293918</b> Plug—Spark Used on <i>Model 80200</i> (with gasket) (1-1/2" High—37 M.M.) (Resistor Type) <b>392588</b> Plug—Spark (with gasket) (Resistor Type) (2" High—51 M.M.)
			<b>324</b>	<b>220648</b>	Screen—Electric Starter Pulley			
			<b>325</b>	<b>293959</b>	Pulley—Starter (1/2" hole in Pulley) <b>Note:</b> For Pulley with Screen with 5/8" hole in Pulley—order No. 298731. <b>220547</b> Pulley—Starter (1/2" hole in Pulley) Used on <i>Model 80200</i> Series Type No. 0257.			
<b>304</b>		Housing—Blower <b>Note:</b> For Type Nos. not listed below, see Ref. No. 608. <b>294263</b> Housing—Blower (For Rope Starters) Used on <i>Model 80201, 80231, 80251, 81201, 81231, 81251</i> Series.	<b>328</b>	<b>221038</b>	Guard—Belt			
			<b>329</b>	<b>93705</b>	Screw—Belt Guard Mounting Sem			
			<b>330</b>	<b>395022</b>	Rope—Starter			
<b>304A</b>	<b>295190</b>	Blower Housing and Brackets (For Electric Starter) Used on <i>Model 80203, 80233, 80253, 81203, 81233, 81253</i> Series.	<b>331</b>	<b>62577</b>	Washer—Flywheel (1/2" hole) <b>Note:</b> For Washer with 5/8" Hole—Order No. 220865.			
			<b>332</b>	<b>91708</b>	Nut—Flywheel (1/2-20 left hand thread) <b>Note:</b> For Flywheel Nut with 5/8-18 right hand thread—order No. 92284.			
<b>304B</b>	<b>296792</b>	Housing—Blower (For Wind-up Starter) Used on <i>Model 80206, 81206</i> Series.				<b>340</b>	<b>26018</b>	Spring—Breaker Arm
						<b>341</b>	<b>93381</b>	Screw—Sem
						<b>342</b>	<b>65704</b>	Plunger—Breaker Point
						<b>344</b>	<b>93042</b>	Screw—Condenser Clamp Mounting Sem



**80200 to 80299**  
**81200 to 81299**

REF. NO.	PART NO.	DESCRIPTION	REF. NO.	PART NO.	DESCRIPTION	REF. NO.	PART NO.	DESCRIPTION
345	220366	Cover—Breaker Point and Condenser			9885, 9945, 9948, 9950, 9953.	455	296455	Cup, Hub, and Spring Assembly
	<b>Note:</b>	222168 Cover—Breaker Point and Condenser Used on <i>Model 80200</i> Series Type Nos. 0447, 0507, 0533, 0576, 0718, 0723, 0837, 0902, 1097, 1105, 1128, 9489, 9599.			391805 Wire—Ground Used on Type Nos. 0016, 0017, 0035, 0036, 0037, 0038, 0039, 0040, 0049, 0718, 0723, 0837, 1056, 2035, 2036, 2049.	456	221222	Plate—Retainer
346	93705	Screw—Sem	357	91539	Key—3/16" Square	458	296305	Handle Assembly—Cranking
347	220884	Switch—Stop (For 1-1/2" High—37 & 42 M.M. Spark Plug)		<b>Note:</b>	93065 Key—Woodruff Used on Type No. 0719.	459	221332	Pawl—Ratchet
	<b>Note:</b>	221808 Switch—Stop (For 2" High—51 M.M. Spark Plug)	358	297275	Gasket Set	460	93272	Retainer—Ratchet Pawl
347A	298926	Switch—Stop (For 1-1/2" High—37-42 M.M. Spark Plug)	362	291630	Shield—Spark Plug (with stop switch)	461	93231	Screw—Handle Mtg.
	<b>Note:</b>	293739 Switch—Stop (For 2" High—51 M.M. Spark Plug) Used on Type Nos. 0157, 0178, 0243, 0810, 0823, 0824, 9383, 9700; also used on <i>Model 81200</i> Series Type Nos. 0132, 0170, 948546, 948589, 948591, 948622, 948629, 948638, 951539.		<b>Note:</b>	89742 Shield—Spark Plug Used on <i>Model 80200</i> Series Type Nos. 9620, 9628, 9958.	462	221237	Washer—Handle Mtg.
			363	19069	Puller—Flywheel (Optional Accessory)	463	296445	Holder Assembly—Flywheel
			370	66432	Washer—Plain	464	93291	Rivet—Holder Assy. Mounting
			371	260275	Restrictor—Belt	465	221226	Washer—Holder Assy. Mounting
			372	220477	Clamp—Condensor	466	93272	Retainer—Holder Control Knob
			375	294628	Breaker Points and Condenser Set	467	211017	Knob—Control
				<b>Note:</b>	299061 Ignition Kit Includes: 294628 Point Set 65704 Plunger 61760 Key—Flywheel	467A	212293	Knob—Air Cleaner
			383	89838	Wrench—Spark Plug	506	90200	Screw—Machine, Fil. Hd.—8-32 x 1/2"
			392	260455	Spring—Fuel Pump Diaphragm	507	66895	Insulator
			394	270026	Diaphragm		<b>Note:</b>	93722 Terminal—Spade Used on Type No. 9700.
			432	221377	Cap—Spring	508	93294	Screw—Blower Housing Mounting Sem
			433	93265	Pin—Diaphragm	513	296567	Clutch Assembly—Electric Starter
			434	210959	Cover—Diaphragm	515	260537	Spring—Ratchet Pawl
			435	93141	Screw—Diaphragm Cover	516	260374	Spring—Connector
			445	392308	Cartridge—Air Cleaner	520	93722	Terminal—Spade
			446	222844	Base—Air Cleaner	521	297973	Shielding—Ignition Cable
			447	93913	Screw—Cover Mtg.			Used on and after Serial No. 6212310 on cables molded into ignition coil, and also on Type Nos. 948590, 948628, 948644.
			454	296178	Housing—Fuel Pipe Screen (for 3/16" O.D. Brass Pipe Only)	523	69345	Cap—Oil Filler
				<b>Note:</b>	393768 Housing—Fuel Pipe Screen (for 1/8" O.D. Brass Pipe Only)		<b>Note:</b>	297357 Cap—Oil Filler Used on <i>Model 80200</i> Series Type Nos. 2035, 2036, 948136, 948153; also used on <i>Model 81200</i> Series Type No. 948632.
								393526 Cap and Dip Stick—Oil Filler Used on Type No. 2049.

**80200 to 80299**  
**81200 to 81299**

REF. NO.	PART NO.	DESCRIPTION	REF. NO.	PART NO.	DESCRIPTION	REF. NO.	PART NO.	DESCRIPTION
524	65304	Gasket—Oil Filler Cap	534	93322	Screw—Air Cleaner			0236, 0282, 0369,
525	91258	Nipple—Oil Filler		<b>Note:</b> 93568	Screw—Air Cleaner			0407, 0413, 0447,
	<b>Note:</b>	Use 394884 Adaptor—Oil Filler with Nipple		270551	Spacer—Air Cleaner Screw			0461, 0474, 0500,
526	93343	Screw—Tank Bracket Mounting Sem			Used on Model 80200 Series Type Nos. 0357, 0458, 0515, 0680.			0507, 0533, 0576,
	<b>Note:</b>	93686 Screw—Tank Bracket to Cylinder Mounting Sem		230058	Stud—Air Cleaner			0595, 0602, 0626,
	<b>Uses:</b>	66432 Washer Used on Type Nos. 0019, 0205, 0237, 0268, 0292, 0299, 0318, 0330, 0365, 0378, 0381, 0399, 0465, 0476, 0487, 0491, 0492, 0502, 0503, 0512, 0528, 0542, 0553, 0554, 0568, 0570, 0573, 0583, 0592, 0600, 0614, 0652, 0657, 0659, 0666, 0696, 0701, 0727, 0734, 0736, 0751, 0761, 0787, 0796, 0799, 0801, 0805, 0808, 0848, 0850, 0851, 0858, 0860, 0862, 0869, 0872, 0875, 0876, 0877, 0880, 0888, 0908, 0909, 0915, 0917, 0922, 0929, 0935, 0936, 1003, 1008, 1014, 1042, 1048, 1058, 1064, 1067, 1070, 1088, 1107, 1108, 1115, 1130.		92067	Nut—Wing Used on Model 80200 Series Type No. 0694; also used on Model 81200 Series Type Nos. 0162, 0391, 0479.			0690, 0699, 0712, 0716, 0718, 0735, 0739, 0758, 0765, 0779, 0789, 0799, 0802, 0813, 0829, 0833, 0847, 0871, 0889, 0909, 0914, 0922, 0933, 1007, 1016, 1024, 1025, 1028, 1029, 1038, 1053, 1056, 1062, 1066, 1068, 1071, 1073, 1103, 1106, 1117, 1121, 1132, 948151, 948152, 948154, 948217; also used on Model 81200 Series Type Nos. 0142, 0160, 948647, 948654, 948662.
			534A	93818	Screw—Air Cleaner	541	22398	Washer—Speed Adjuster and Governor Lever
			535	27987	Element—Air Cleaner	542	393586	Screw—Machine, Fil. Hd.
				<b>Note:</b> 390492	Element—Air Cleaner		<b>Note:</b> 93686	Screw Self Tapping
				<b>Uses:</b>	390588	Cover—Air Cleaner	221372	Clip—Speed Control Rod
					221969	Support—Air Cleaner		Used only with Round Wire Control Rod
					270730	Gasket—Air Cleaner		Used on Type No. 0548.
			535A	270979	Element—Air Cleaner	549	271118	Washer—Air Cleaner
			536	296766	Cleaner Assy.—Air	549A	270978	Washer (Below Internal Screw Head)
			538	260683	Rod—Speed Control (Square Rod)	608	294259	Starter Assy.—Rewind (10 o'clock)
				<b>Note:</b>	For Round Wire Rod order: 260560		<b>Note:</b> 294282	Starter Assy.—Rewind (4 o'clock)
					260560	Rod—Speed Control		Used on Model 80200 Series Type Nos. 0247, 948068.
527	221279	Clamp—Breather Tube	539	260684	Link—Rod (Used only with Square Rod)			
528	230634	Tube—Breather						
	<b>Note:</b>	66638 Tube—Breather Used on Type No. 948561.	540	221380	Lever—Speed Adjuster			
529	67608	Grommet—Breather Tube		<b>Note:</b> 220678	Lever—Speed Adjuster			
530	296304	Housing Assy.—Pawl			Used on Model 80200 Series Type Nos. 0137, 0147, 0167, 0175, 0192, 0228.			
531	230615	Ratchet—Top Starter						
532	260500	Washer—Spring						
533	67478	Knob—Stop						

**80200 to 80299**  
**81200 to 81299**

REF. NO.	PART NO.	DESCRIPTION	REF. NO.	PART NO.	DESCRIPTION	REF. NO.	PART NO.	DESCRIPTION		
	<b>294337</b>	Starter Assy.— Rewind (12 o'clock) Used on <i>Model 80200</i> Series Type Nos. 0015, 0016, 0018, 0019, 0035, 0036, 0037, 0038, 0039, 0040, 0049, 0157, 0172, 0211, 0231, 0260, 0266, 0270, 0278, 0291, 0301, 0329, 0339, 0342, 0351, 0361, 0366, 0373, 0385, 0388, 0392, 0398, 0399, 0400, 0402, 0404, 0405, 0406, 0408, 0410, 0420, 0424, 0425, 0427, 0430, 0431, 0437, 0441, 0446, 0447, 0448, 0463, 0466, 0468, 0471, 0472, 0478, 0482, 0483, 0494, 0500, 0507, 0508, 0514, 0516, 0527, 0533, 0537, 0543, 0544, 0545, 0547, 0550, 0552, 0555, 0556, 0564, 0570, 0573, 0576, 0586, 0591, 0602, 0605, 0608, 0610, 0611, 0612, 0621, 0624, 0637, 0640, 0646, 0657, 0658, 0659, 0661, 0662, 0663, 0664, 0665, 0666, 0667, 0675, 0681, 0682, 0687, 0688, 0728, 0733, 0734, 0736, 0739, 0742, 0759, 0760, 0761, 0762, 0763, 0766, 0771, 0775, 0782, 0786, 0787, 0788, 0790, 0794, 0795, 0797, 0801, 0803, 0805, 0814, 0815, 0816, 0822, 0825, 0826, 0845, 0846, 0848, 0849, 0851,			0855, 0862, 0864, 0865, 0866, 0867, 0870, 0872, 0873, 0874, 0876, 0896, 0900, 0901, 0903, 0904, 0905, 0910, 0914, 0918, 0919, 0925, 0932, 0933, 0939, 1001, 1005, 1008, 1012, 1015, 1016, 1024, 1025, 1027, 1031, 1036, 1039, 1040, 1042, 1046, 1047, 1048, 1050, 1054, 1056, 1058, 1059, 1064, 1065, 1067, 1068, 1070, 1074, 1075, 1076, 1077, 1078, 1083, 1088, 1091, 1094, 1096, 1098, 1104, 1108, 1111, 1112, 1114, 1116, 1118, 1122, 1124, 1127, 1129, 1130, 1132, 1136, 1137, 1138, 1139, 2035, 2036, 2049, 9044, 9347, 9620, 9631, 9643, 9830, 9868, 9878, 9893, 9945, 9947, 9950, 9958, 948075, 948105, 948132, 948157, 948167, 948181, 948183, 948185; also used on <i>Model 81200</i> Series Type No. 948622. <b>295038</b> Starter Assy.— Rewind (6 o'clock) Used on <i>Model 80200</i> Series Type No. 0151. <b>295816</b> Starter Assy.— Rewind (3 o'clock) Used on <i>Model 80200</i> Series Type Nos. 0207, 0209, 0282, 0313, 0316, 0335, 0462, 0523, 0616, 0685, 0744, 1003, 1043, 9312.					948051, 948186, 948219. <b>296894</b> Starter Assy.— Rewind (1:30 o'clock) Used on <i>Model 80200</i> Series Type Nos. 0142, 0177, 0237, 0248, 0353, 0355, 0477, 0506, 0540, 0583, 0592, 0615, 0626, 0680, 0697, 0708, 0716, 0727, 0731, 0785, 0834, 0930, 1002, 1053, 948073, 951040; also used on <i>Model</i> <i>81200</i> Series Type Nos. 948597, 948598. <b>609 260564</b> Spring—Throttle Link Used on Mechanical Governor Series <i>9000</i> <i>and up</i> ; also <i>951010 to 951999</i> . <b>611 391813</b> Fuel Pipe and Clip Assembly <b>Note:</b> <b>297219</b> Pipe—Fuel (2-5/8" long) Plastic Used on <i>Model 80200</i> Series Type Nos. 0162, 0175, 0205, 0237, 0262, 0266, 0268, 0292, 0299, 0318, 0330, 0365, 0378, 0381, 0465, 0476, 0487, 0491, 0492, 0502, 0503, 0512, 0514, 0528, 0542, 0553, 0554, 0568, 0570, 0573, 0583, 0600, 0614, 0615, 0652, 0657, 0659, 0666, 0696, 0701, 0727, 0734, 0736, 0751, 0761, 0848, 0850, 0851, 0858, 0860, 0862, 0869, 0872, 0875, 0876, 0877, 0880, 0888, 0908, 0909, 0915, 0917, 0922, 0929, 0936, 1003, 1008, 1014, 1048, 1130, 9305, 9324.

**80200 to 80299**  
**81200 to 81299**

REF. NO.	PART NO.	DESCRIPTION	REF. NO.	PART NO.	DESCRIPTION	REF. NO.	PART NO.	DESCRIPTION
		9409, 9414, 9415, 9452, 948097, 948102, 948105, 948106, 948126, 948133, 948136, 948143, 948151, 948152, 948153, 948157, 948158, 948164, 948168, 948193, 948204; also used on Model 81200 Series Type Nos. 0163, 0177, 948546, 948549, 948552, 948598, 948622, 948630, 948632, 948638.	<b>629</b>	<b>260546</b>	Spring—Throttle Return	<b>642</b>	<b>222626</b>	Cover—Air Cleaner
				<b>Note:</b>	<b>260871</b> Spring—Throttle Return Used on Model 80200 Series Type Nos. 0431, 0435, 0436, 0437, 0441, 0443, 0446, 0449, 0454, 0463, 0468, 0470, 0472, 0478, 0482, 0522, 0524, 0531, 0543, 0555, 0565, 0569, 0585, 0748, 0776, 0793, 0800, 0812, 0820, 0831, 0838, 0899, 0923, 0939, 1005, 1011, 1018, 1019, 1092, 1139.	<b>643</b>	<b>222991</b>	Cup—Air Cleaner
<b>612</b>	<b>296811</b>	Pipe—Fuel (1-5/8" long) Plastic	<b>630</b>	<b>221425</b>	Arm—Throttle Control	<b>643A</b>	<b>222845</b>	Cup—Air Cleaner
<b>614</b>	<b>221384</b>	Bracket	<b>631</b>	<b>221427</b>	Washer—Throttle Control Arm	<b>643B</b>	<b>222594</b>	Cup—Air Cleaner
	<b>Note:</b>	<b>222161</b> Anchor—Spring Used on Model 80200 Series Type Nos. 0431, 0435, 0436, 0437, 0441, 0443, 0446, 0449, 0454, 0463, 0468, 0470, 0472, 0478, 0482, 0522, 0524, 0531, 0543, 0555, 0565, 0569, 0585, 0748, 0776, 0793, 0800, 0812, 0820, 0831, 0838, 0899, 0923, 0939, 1005, 1011, 1018, 1019, 1092, 1139.	<b>632</b>	<b>260575</b>	Spring—Governor Control Lever	<b>645</b>	<b>23513</b>	Bushing—Plunger
<b>621</b>	<b>297472</b>	Switch—Stop	<b>633</b>	<b>93364</b>	Screw—Machine, Rd. Hd.—6-32 x 7/8"	<b>665</b>	<b>298858</b>	Oil Minder
<b>628</b>	<b>93149</b>	Screw—Machine, Rd. Hd. 5-40 x 3/8"		<b>Note:</b>	<b>90056</b> Screw—Machine, Rd. Hd.—6-32 x 5/8" Used on Model 80200 Series Type Nos. 9023, 9024, 9253, 9347, 9440, 9469, 9563; also used on Model 81200 Series Type Nos. 9139, 951541.	<b>676</b>	<b>393760</b>	Deflector—Muffler
			<b>634</b>	<b>270167</b>	Washer—Throttle Shaft (Felt)	<b>Note:</b>		For Spark Arrestor Assy. use No. <b>392190</b> on Type Nos. 0836, 1043, 1072, 1140, 2035, 2036, 2049.
			<b>635</b>	<b>66538</b>	Elbow—Spark Plug			For Spark Arrestor Assy. use No. <b>392191</b> on Type Nos. 0925, 9804, 9894.
				<b>Note:</b>	<b>393904</b> Elbow—R.F. Suppressor (Only used with Spark Plug <b>29693</b> ) Used on Type No. 9944.	<b>681</b>	<b>299060</b>	Needle Valve Kit
						<b>682</b>	<b>211516</b>	Shield—Starter Clutch
						<b>822</b>	<b>296732</b>	Starter Assy.—Wind-Up
						<b>851</b>	<b>221798</b>	Terminal—Ignition Cable
						<b>852</b>	<b>392368</b>	Cleaner Assy.—Air
						<b>Note:</b>		Dual Element Air Cleaner Kit Part No. 393018.
						<b>854</b>	<b>392884</b>	Bracket Assy.—Stop Switch
						<b>869</b>	<b>210879</b>	Seat—Intake Valve (Standard)
						<b>Note:</b>		For Options see Repair Manual.
						<b>870</b>	<b>211291</b>	Seat—Exhaust Valve (Standard)
						<b>Note:</b>		For Options see Repair Manual.
						<b>871</b>	<b>63709</b>	Guide—Exhaust Valve
						<b>898</b>	<b>92507</b>	Lockwasher—Internal Tooth
						<b>899</b>	<b>93397</b>	Lockwasher—External Tooth