



**613400**

# Illustrated Parts List

## Model Series

# 613400

TYPE NUMBERS  
0048 Through 0132.

### TABLE OF CONTENTS

<b>Air Cleaner</b> .....	7
<b>Alternator</b> .....	11
<b>Blower-Housing</b> .....	10
<b>Camshaft</b> .....	2
<b>Carburetor</b> .....	6
<b>Controls</b> .....	9
<b>Crankcase Cover</b> .....	4
<b>Crankshaft</b> .....	2
<b>Cylinder</b> .....	2
<b>Cylinder Head</b> .....	3
<b>Electric Starter</b> .....	11
<b>Exhaust System</b> .....	8
<b>Flywheel</b> .....	10
<b>Fuel Supply</b> .....	6
<b>Governor Springs</b> .....	9
<b>Intake Manifold</b> .....	4
<b>Kit/Gasket Valve Set</b> .....	5
<b>Kit/Gasket Engine Set</b> .....	5
<b>Piston Group</b> .....	2
<b>Valves</b> .....	3

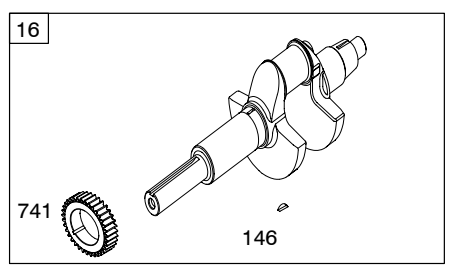
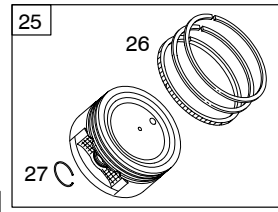
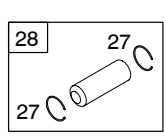
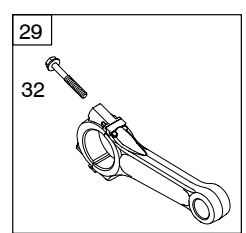
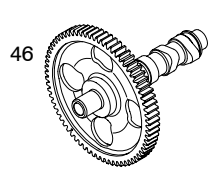
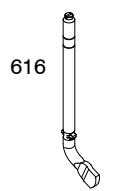
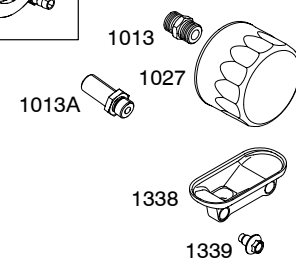
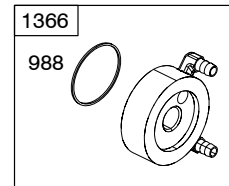
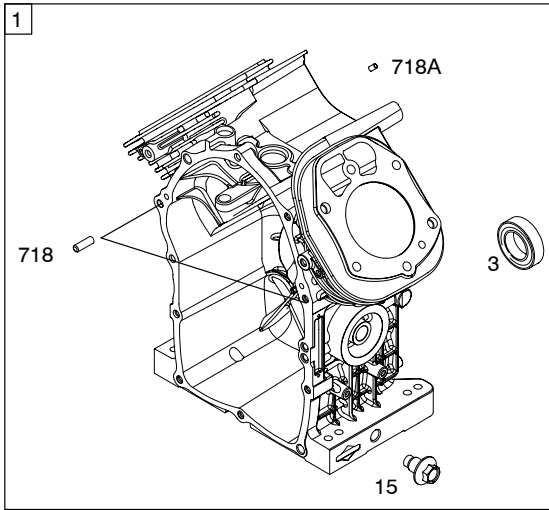


PRINTED IN U.S.A.

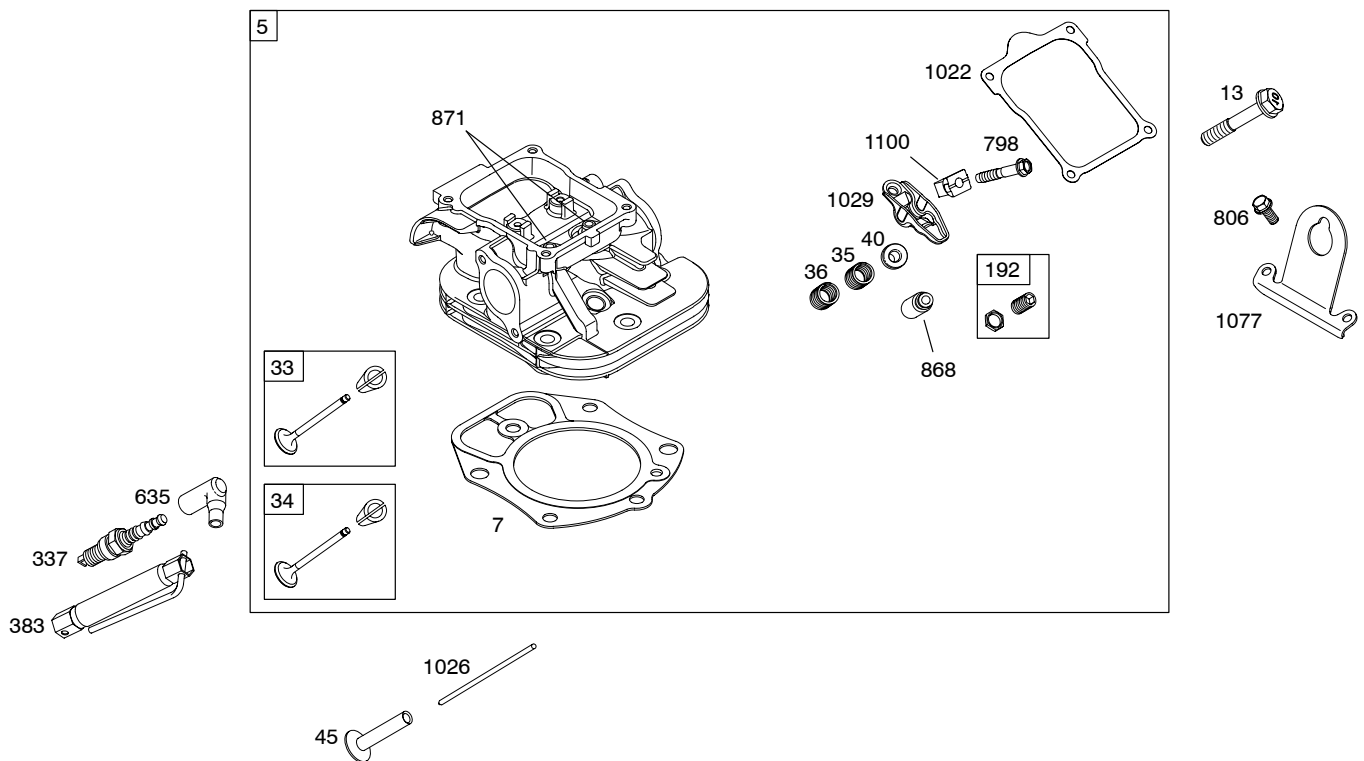
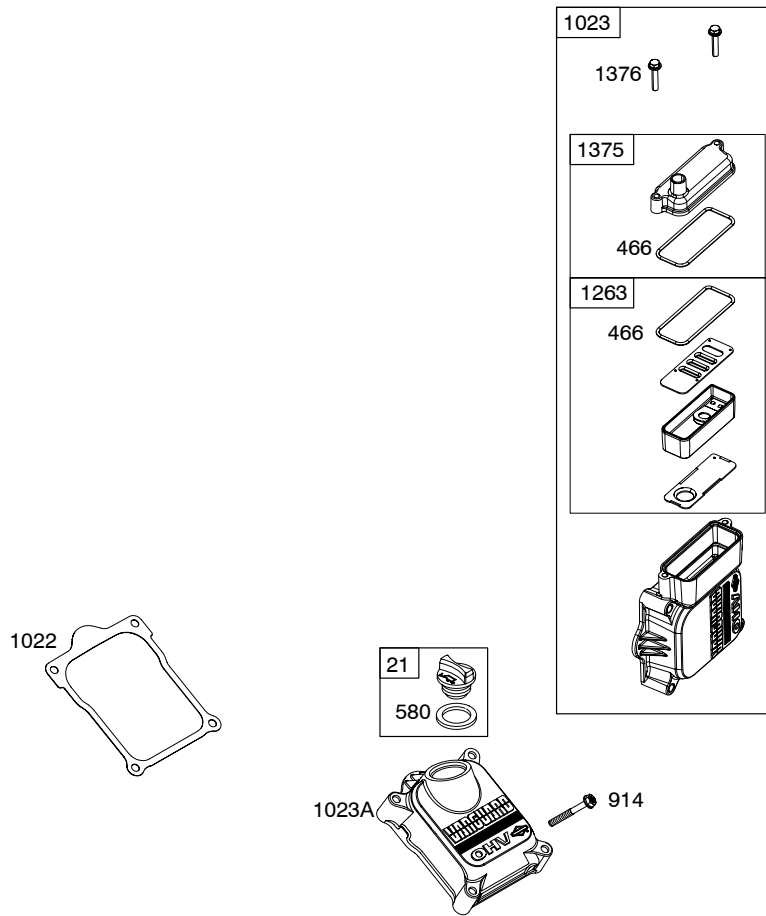
COPYRIGHT by BRIGGS & STRATTON CORPORATION  
All rights reserved. No part of this material may be reproduced or transmitted, in any form or by any means, electronic or mechanical, including photocopying, recording or by any information storage and retrieval system, without permission in writing from Briggs & Stratton Corporation.

# 613400

- 1058 OPERATOR'S MANUAL
- 1019 LABEL KIT
- 1036 LABEL EMISSIONS
- 1330 REPAIR MANUAL

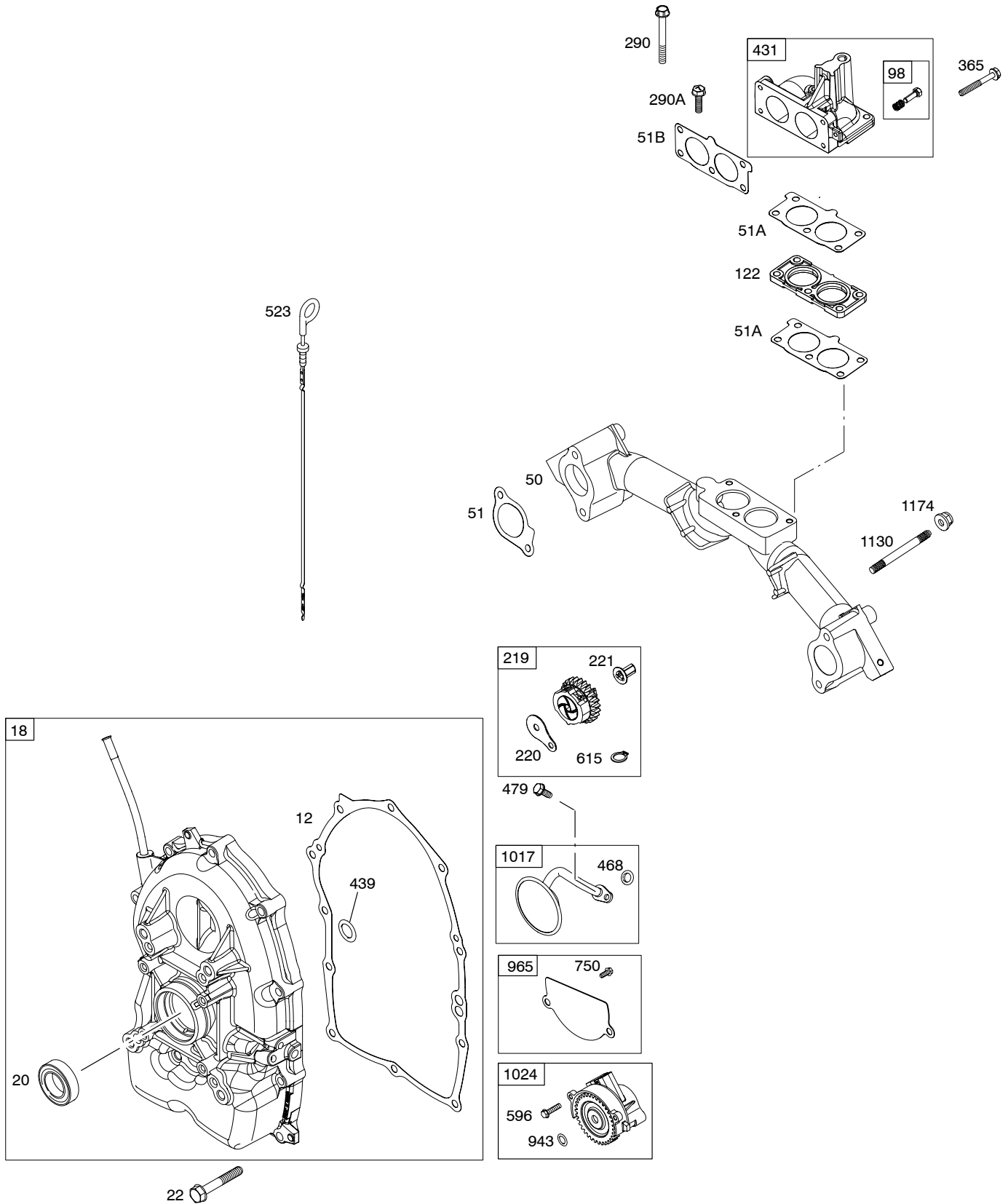


Illustrations cover a range of engines. Parts shown without corresponding text may not be used on your specific engine.  
 6154-2 Assemblies include all parts shown in frames. 09/16/2005

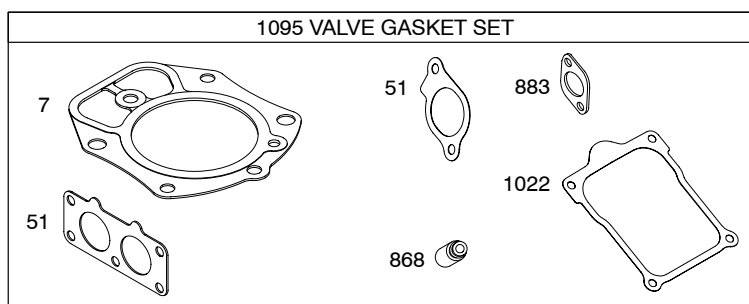
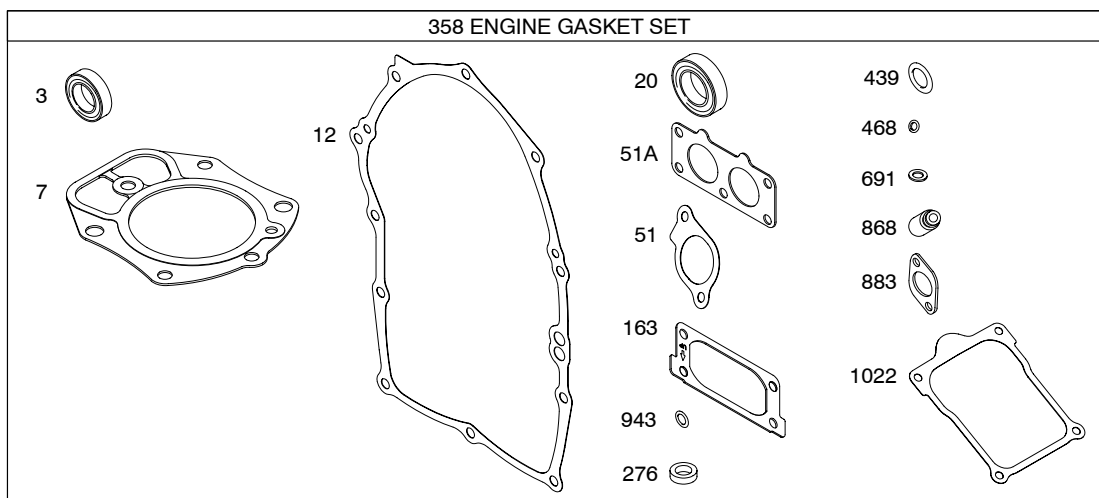


**Illustrations cover a range of engines. Parts shown without corresponding text may not be used on your specific engine.**  
**6154-3** Assemblies include all parts shown in frames. **09/16/2005**

# 613400

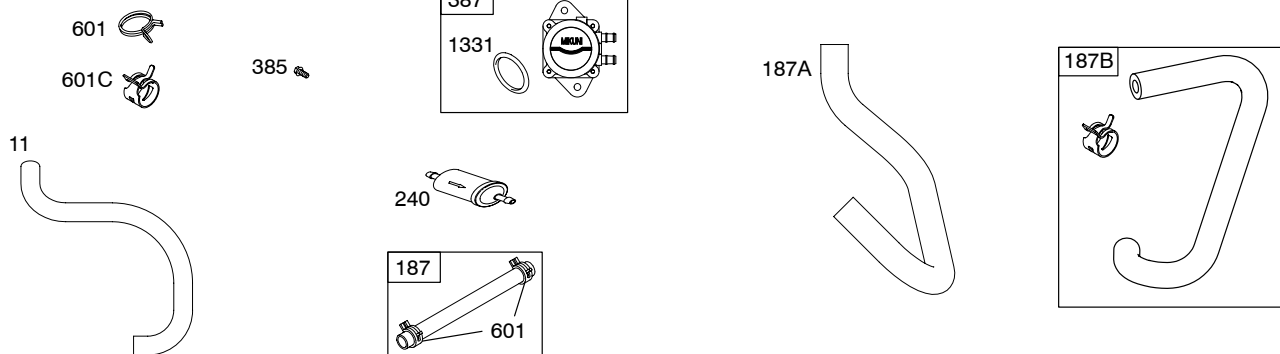
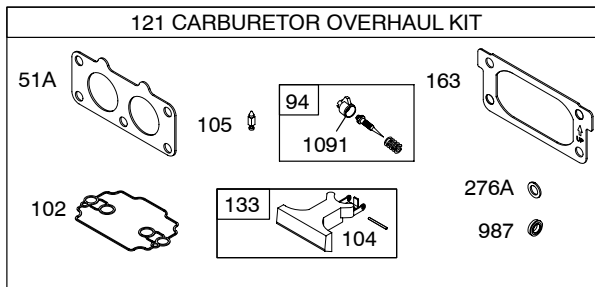
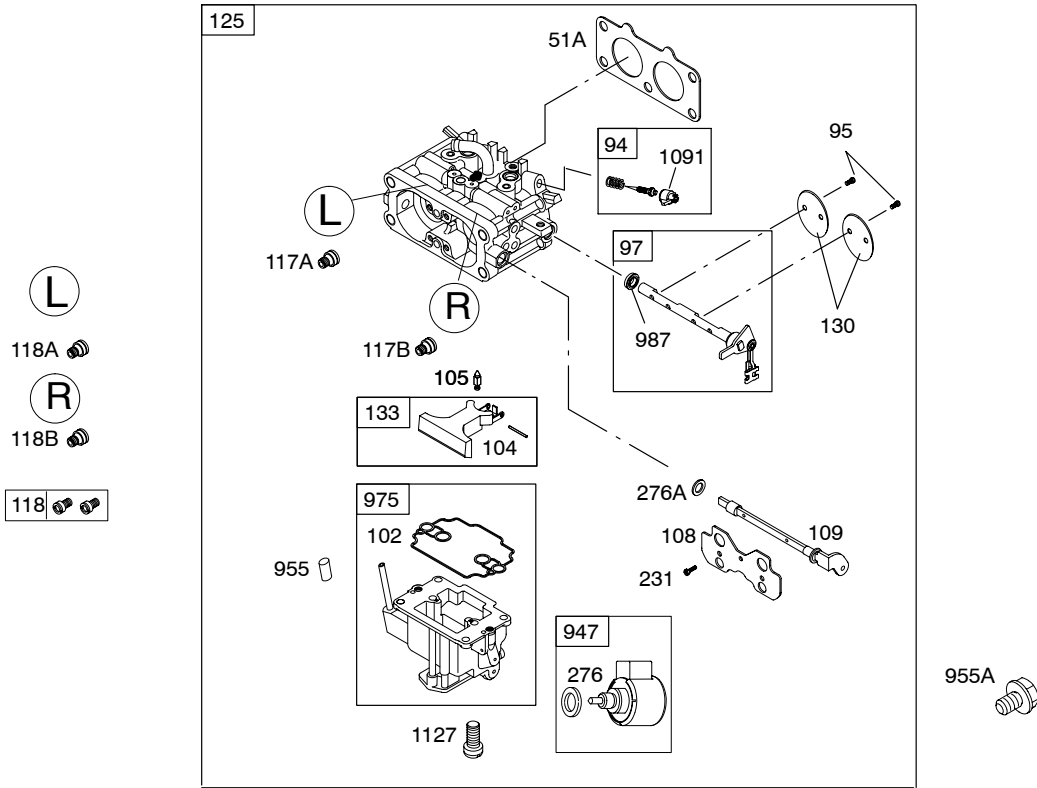


Illustrations cover a range of engines. Parts shown without corresponding text may not be used on your specific engine.  
 6154-4 Assemblies include all parts shown in frames. 09/16/2005

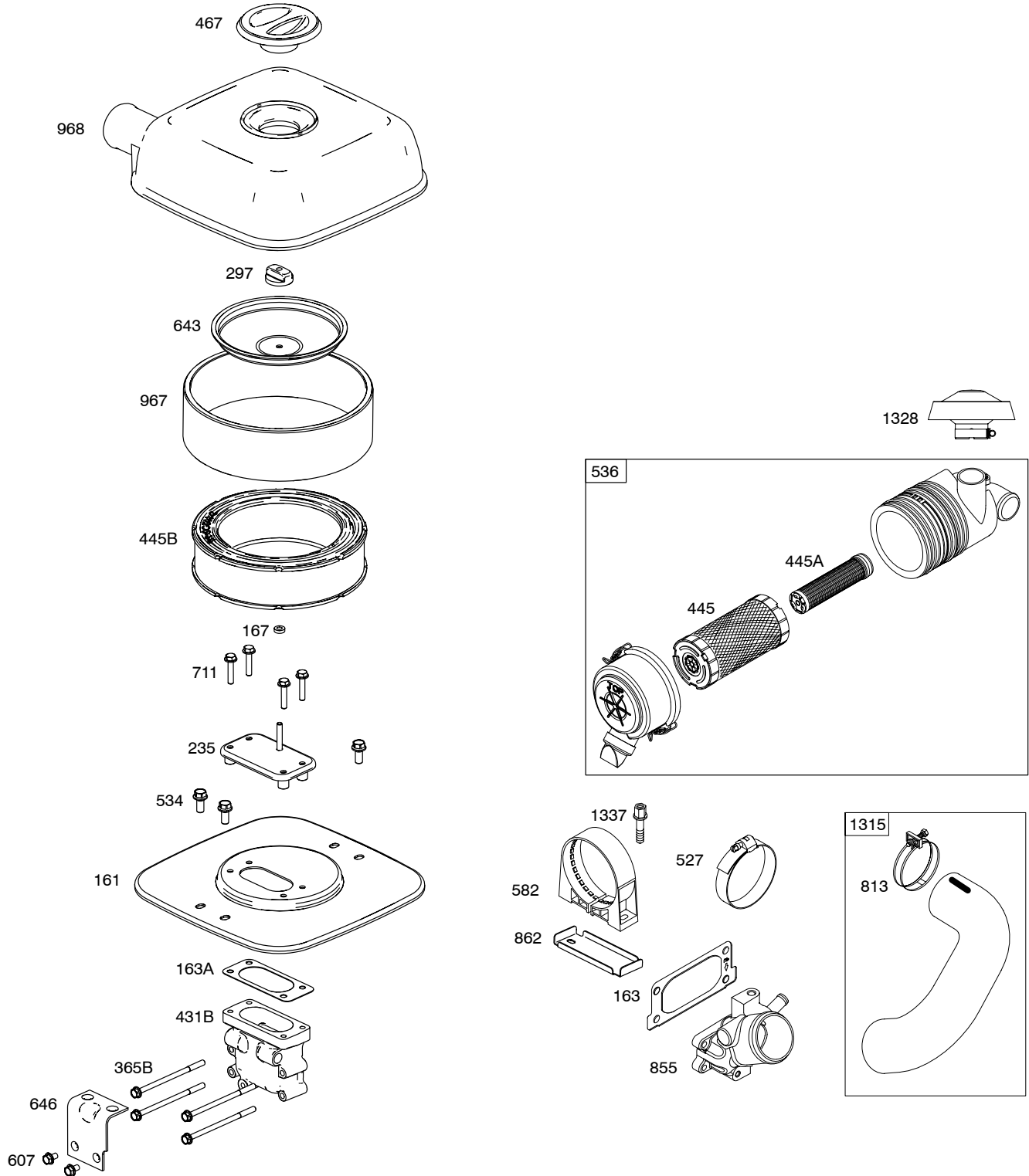


Illustrations cover a range of engines. Parts shown without corresponding text may not be used on your specific engine.  
6154-5 Assemblies include all parts shown in frames. 09/16/2005

# 613400

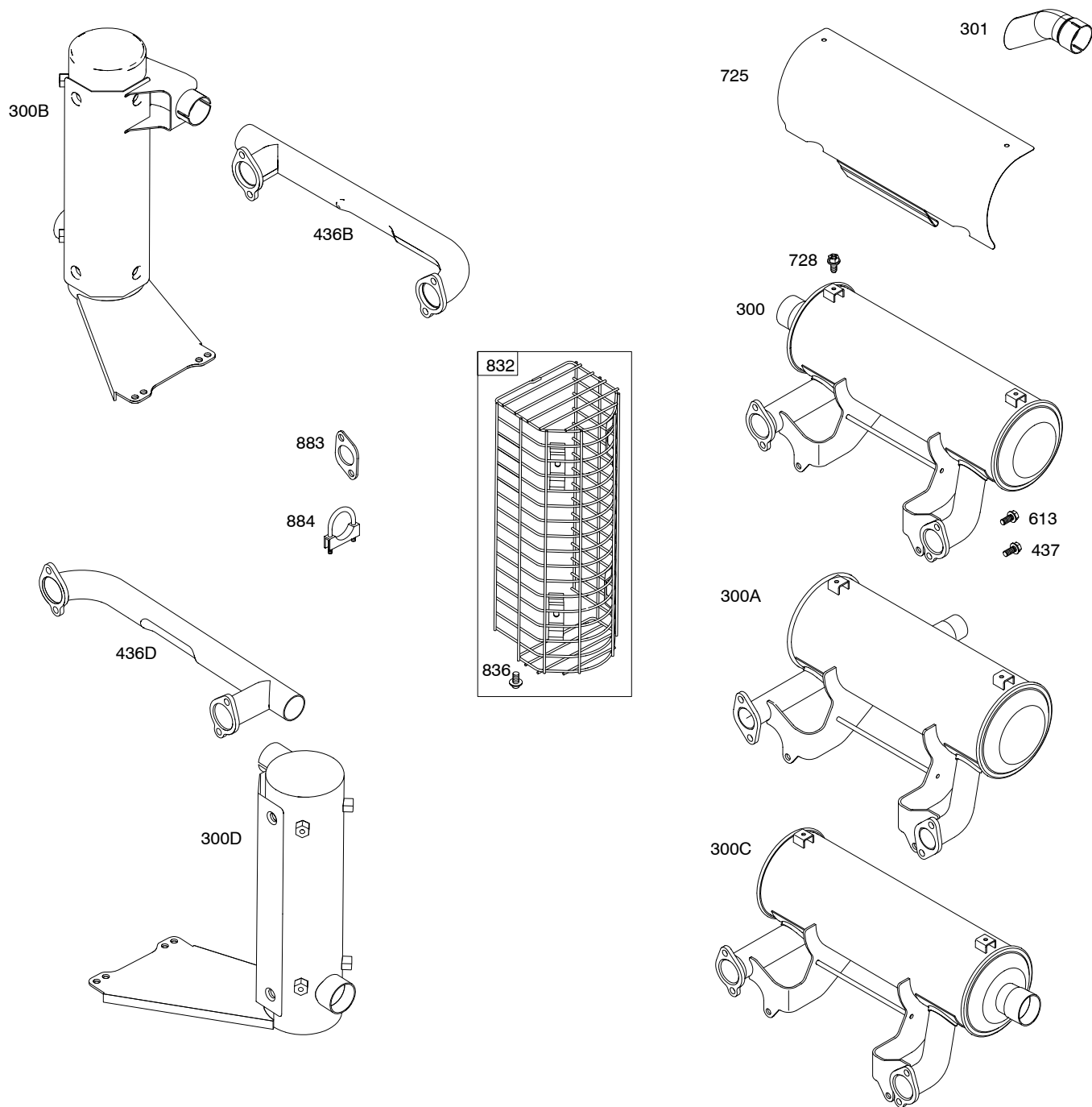


Illustrations cover a range of engines. Parts shown without corresponding text may not be used on your specific engine.  
 6154-6 Assemblies include all parts shown in frames. 09/16/2005



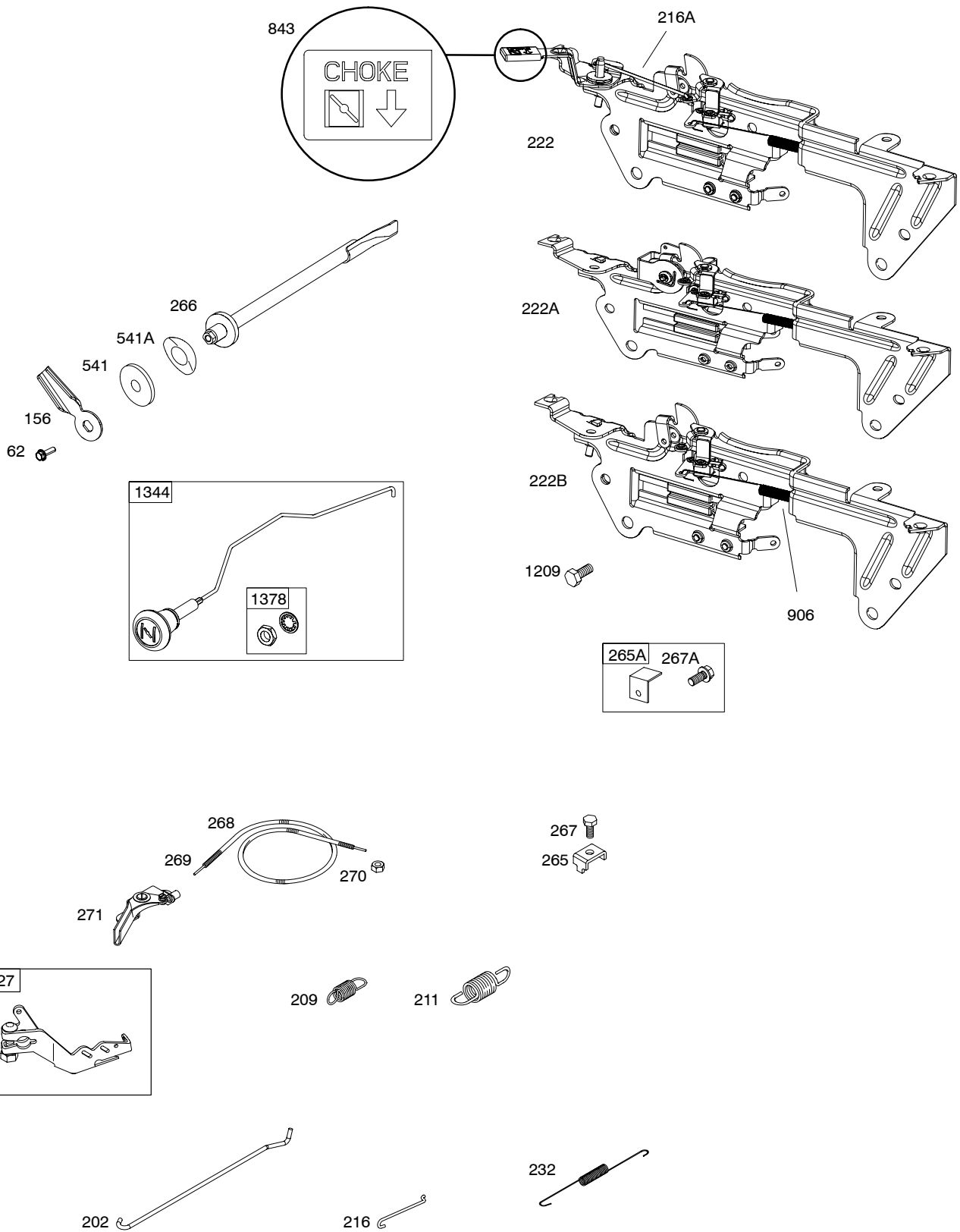
Illustrations cover a range of engines. Parts shown without corresponding text may not be used on your specific engine.  
6154-7 Assemblies include all parts shown in frames. 09/16/2005

# 613400



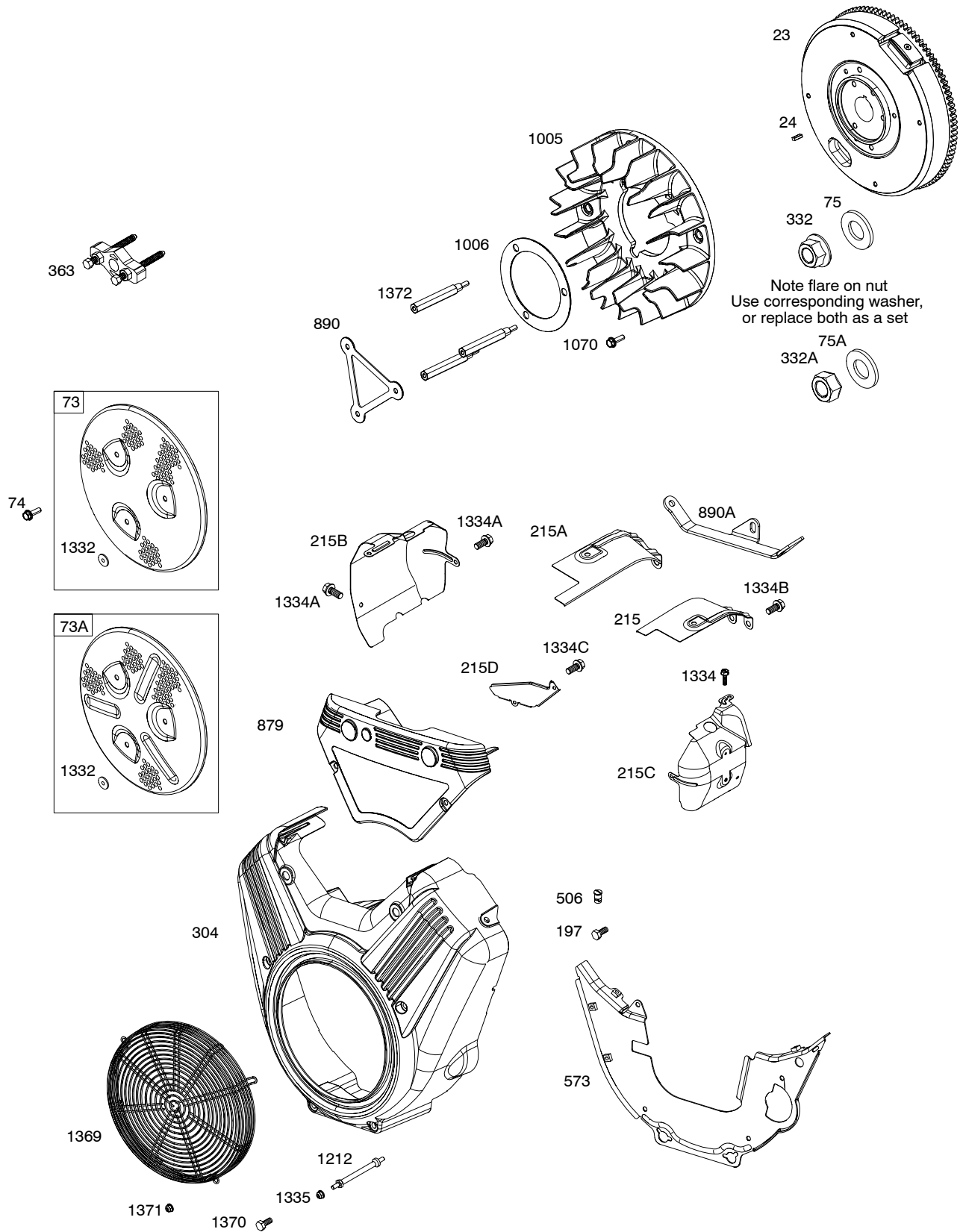
Illustrations cover a range of engines. Parts shown without corresponding text may not be used on your specific engine.  
6154-8 Assemblies include all parts shown in frames. 09/16/2005






*Illustrations cover a range of engines. Parts shown without corresponding text may not be used on your specific engine.*  
 6154-9 Assemblies include all parts shown in frames. 09/16/2005




**613400**

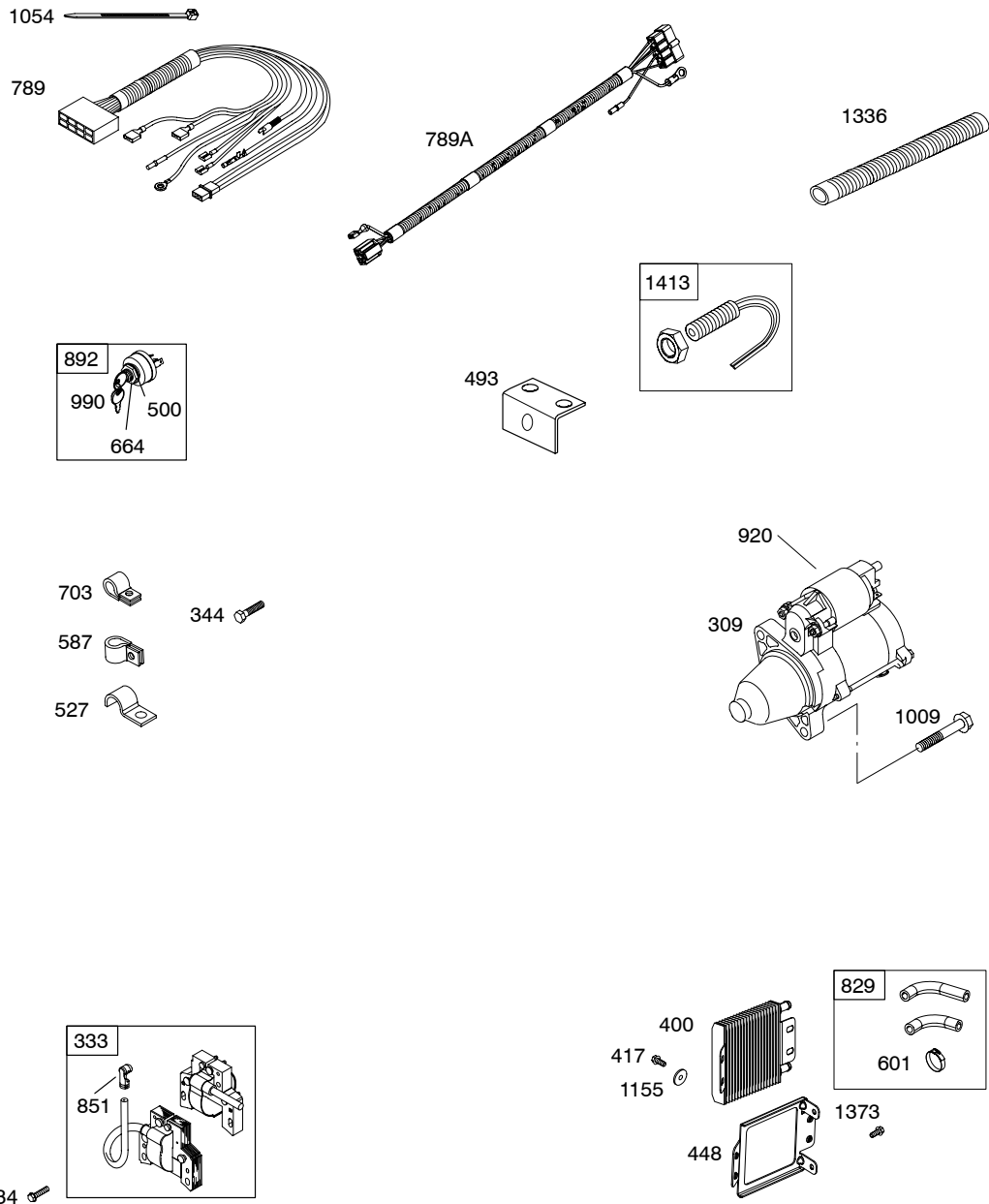


*Illustrations cover a range of engines. Parts shown without corresponding text may not be used on your specific engine.*

**NOTE:** All stators use a No. 1119 mounting screw. 

**NOTE:** The proper flywheel part number and/or the alternator magnet size will determine the alternator type or output. See repair instruction manual for additional information.

20 AMP
474E
877D 
526B 
501B 



Illustrations cover a range of engines. Parts shown without corresponding text may not be used on your specific engine.  
 6154-11 Assemblies include all parts shown in frames. 09/16/2005

# 613400

REF. NO.	PART NO.	DESCRIPTION	REF. NO.	PART NO.	DESCRIPTION	REF. NO.	PART NO.	DESCRIPTION
1	841843	Cylinder Assembly	36	809374	Spring-Valve (Exhaust)	118	841918	Jet-Main (High Altitude) (5000 Ft.)
3	★841596	Seal-Oil	40	807492	Retainer-Valve			Used on Type No(s). 0114, 0121, 0123, 0128.
5	841666	Head-Cylinder (Cylinder 1)	45	809785	Tappet-Valve			----- <b>Note</b> -----
		----- <b>Note</b> -----	46	809879	Camshaft			
		841667 Head-Cylinder (Cylinder 2)	50	841591	Manifold-Intake			
7	★Δ809730	Gasket-Cylinder Head	51	★Δ841592	Gasket-Intake			----- <b>Note</b> -----
11	809736	Tube-Breather	51A	★Δ809910	Gasket-Intake			841917 Jet-Main (High Altitude) (9000 Ft.)
12	★809727	Gasket-Crankcase	51B	841882	Gasket-Intake			841919 Jet-Main (High Altitude) (9000 Ft.)
13	809784	Screw (Cylinder Head)	62	841524	Screw (Speed Adjustor Lever)			Used on Type No(s). 0114, 0121, 0123, 0128.
15	807392	Plug-Oil Drain	73	841840	Screen-Rotating			
		----- <b>Note</b> -----	73A	809945	Screen-Rotating			
		690283 Plug-Oil Drain Used on Type No(s). 0076.	74	809947	Screw (Rotating Screen)			
16	841839	Crankshaft Used on Type No(s). 0048, 0100, 0111, 0113, 0120, 0121, 0122, 0123, 0128, 0132.	75	691056	Washer (Flywheel)	118A	842095	Jet-Main (High Altitude) (5000 Ft.)
		----- <b>Note</b> -----	75A	842548	Washer (Flywheel)			----- <b>Note</b> -----
		841844 Crankshaft Used on Type No(s). 0079, 0114, 0117, 0118, 0129.	94	●809648	Kit-Idle Mixture			842094 Jet-Main (High Altitude) (6500 Ft.)
		842268 Crankshaft Used on Type No(s). 0076, 0126.	95	690728	Screw (Throttle Valve)			842104 Jet-Main (High Altitude) (6500 Ft.)
18	842458	Cover-Crankcase	97	841912	Shaft-Throttle			Used on Type No(s). 0114, 0121, 0123, 0128.
20	★841596	Seal-Oil (PTO Side)	98	841842	Kit-Idle Speed	118B	842096	Jet-Main (High Altitude) (5000 Ft.)
21	809895	Cap-Oil Fill	102	●809645	Gasket-Carburetor Body			842098 Jet-Main (High Altitude) (6500 Ft.)
22	807362	Screw (Crankcase Cover/Sump)	104	●690739	Pin-Float Hinge			842103 Jet-Main (High Altitude) (6500 Ft.)
23	841998	Flywheel	105	●809759	Valve-Float Needle			Used on Type No(s). 0114, 0121, 0123, 0128.
24	222698	Key-Flywheel	108	841915	Valve-Choke			
25	841837	Piston Assembly	109	841914	Shaft-Choke			
26	809972	Ring Set	117A	842093	Jet-Main (Standard)			
27	807351	Lock-Piston Pin			----- <b>Note</b> -----			
28	807361	Pin-Piston			842103 Jet-Main (Standard)			
29	841838	Rod-Connecting			Used on Type No(s). 0114, 0121, 0123, 0128.			
32	807363	Screw (Connecting Rod)	117B	842094	Jet-Main (Standard)			
33	809901	Valve-Exhaust			----- <b>Note</b> -----			
34	809902	Valve-Intake			841916 Jet-Main (Standard)	121	841139	Kit-Carburetor Overhaul
35	809374	Spring-Valve (Intake)			Used on Type No(s). 0114, 0121, 0123, 0128.	122	809880	Spacer-Carburetor
						125	842097	Carburetor
								----- <b>Note</b> -----
								842126 Carburetor Used on Type No(s). 0114, 0121, 0123, 0128.

★ Included in Engine Gasket Set-Ref. No.358.

● Included in Carburetor Overhaul Kit-Ref. No. 121.

◆ Included in Carburetor Gasket Set-Ref. No. 977.

Δ Included in Valve Gasket Set-Ref. No 1095.

*Illustrations cover a range of engines. Parts shown without corresponding text may not be used on your specific engine.*

**613400**

REF. NO.	PART NO.	DESCRIPTION	REF. NO.	PART NO.	DESCRIPTION	REF. NO.	PART NO.	DESCRIPTION
130	841913	Valve-Throttle	216	809788	Link-Choke	268	691025	Casing-Control Wire
133	●809637	Float-Carburetor	216A	841671	Link-Choke	269	691026	Wire-Control
146	691639	Key-Timing	219	809426	Gear-Governor	270	691027	Nut (Control Wire Casing)
156	841522	Lever-Speed Adjuster	220	841608	Washer (Governor Gear)	271	692541	Lever-Control
161	841851	Base-Air Cleaner (Metal)	221	841026	Cup-Governor	276	809436	Washer-Sealing (Governor Control Lever)
163	★807375	Gasket-Air Cleaner	222	841492	Bracket-Control Used on Type No(s). 0076, 0100, 0111, 0126, 0132.	276A	806476	Washer-Sealing
163B	841852	Gasket-Air Cleaner	222A	841527	Bracket-Control Used on Type No(s). 0048, 0079, 0113, 0117, 0118, 0129.	290	809911	Screw (Intake Elbow)
167	841855	Seal-Air Cleaner Nut	222B	841528	Bracket-Control Used on Type No(s). 0120, 0121, 0122, 0123, 0128.	290A	807421	Screw (Intake Elbow)
187	841011	Line-Fuel	227	809984	Lever-Governor Control	297	690939	Nut (Air Filter Retainer)
187A	809921	Line-Fuel	231	690728	Screw (Choke Valve)	300	809983	Muffler
187B	841841	Line-Fuel	232	690545	Spring-Governor Link	300A	841530	Muffler
192	807623	Adjuster-Rocker Arm	235	841848	Shield-Fuel Spray	300B	841680	Muffler (Lo Mount) (Oil Filter Side)
197	692539	Screw (Back Plate)	239	841281	Switch-Oil Pressure ----- Note ----- 697049 Switch-Oil Pressure Used on Type No(s). 0126.	301	841518	Pipe-Exhaust
202	841322	Link-Mechanical Governor	240	691035	Filter-Fuel ----- Note ----- 695666 Filter-Fuel Used on Type No(s). 0048, 0076, 0079, 0111, 0113, 0117, 0118, 0120, 0121, 0122, 0123, 0128, 0129, 0132.	304	809959	Housing-Blower ----- Note ----- 841542 Housing- Blower (Oil Cooler)
209	841012	Spring-Governor Used on Type No(s). 0100. ----- Note ----- 841845 Spring- Governor Used on Type No(s). 0121, 0122, 0128. 841684 Spring- Governor Used on Type No(s). 0048, 0079, 0111, 0113, 0114, 0117, 0118, 0120, 0123, 0129. 841500 Spring- Governor Used on Type No(s). 0076, 0126, 0132.	265	691024	Clamp-Casing	309	807383	Motor-Starter
211	809875	Spring-Governed Idle	265A	841673	Clamp-Casing	332	807356	Nut (Flywheel)
215	809728	Guide-Air (Cylinder 1)	266	841521	Control-Throttle	332A	842222	Nut (Flywheel)
215A	809737	Guide-Air (Cylinder 2)	267	692539	Screw (Casing Clamp)	333	841279	Armature-Magneto
215B	809897	Guide-Air (Cylinder 2)	267A	841672	Screw (Casing Clamp)	334	692066	Screw (Magneto Armature)
215C	809738	Guide-Air (Cylinder 1)				337	491055	Plug-Spark
215D	809739	Guide-Air (Valley)				344	692539	Screw (Cable Clamp)
						358	841122	Gasket Set-Engine
						363	19203	Puller-Flywheel
						365	807437	Screw (Carburetor)

★ Included in Engine Gasket Set-Ref. No.358.  
● Included in Carburetor Overhaul Kit-Ref. No. 121.

◆ Included in Carburetor Gasket Set-Ref. No. 977.  
△ Included in Valve Gasket Set-Ref. No 1095.

*Illustrations cover a range of engines. Parts shown without corresponding text may not be used on your specific engine.*

**613400**

REF. NO.	PART NO.	DESCRIPTION	REF. NO.	PART NO.	DESCRIPTION	REF. NO.	PART NO.	DESCRIPTION
365B	841853	Screw (Carburetor)	506	809957	Screw (Carburetor Cover)	718	690959	Pin-Locating
383	19374	Wrench-Spark Plug	523	841007	Dipstick (Standard)	718A	809508	Pin-Locating
385	809876	Screw (Fuel Pump)	526B	691547	Screw (Regulator)(20 Amp)	725	841132	Shield-Heat
387	809669	Pump-Fuel	527	690423	Clamp-Tube	728	692067	Screw (Heat Shield)
400	841501	Cooler-Oil	534	692062	Screw (Air Cleaner)	741	809432	Gear-Timing
415	690283	Plug Used on Type No(s). 0100.	536	809670	Cleaner-Air	750	692539	Screw (Oil Pump Cover)
417	810074	Screw (Oil Cooler)	541	841525	Washer (Speed Adjuster Lever)	789	809906	Harness-Wiring
431	841539	Elbow-Intake	541A	841526	Washer (Speed Adjuster Lever)	789A	809967	Harness-Wiring
431B	841854	Elbow-Intake	573	809956	Plate-Back ----- <b>Note</b> ----- <b>842712</b> Plate-Back Used on Type No(s). 0129.	798	691492	Screw (Rocker Arm)
436B	841681	Manifold-Exhaust (Lo Mount) (Oil Filter Side)	580	★ <b>809894</b>	Seal-O Ring (Oil Fill Cap)	806	692062	Screw (Lifting Bracket)
436D	842262	Manifold-Exhaust (Lo Mount) (Starter Motor Side)	582	809878	Clamp-Air Cleaner	813	807376	Clamp
437	809743	Screw (Exhaust Manifold)	587	807386	Clamp-Cable	829	841503	Hose-Oil
439	692154	Seal-O Ring (Crankcase Cover/Sump)	596	691492	Screw (Oil Pump)	832	841682	Guard-Muffler
445	841497	Filter-Air Cleaner Cartridge	601	841499	Clamp-Hose	836	692539	Screw (Guard-Muffler)
445A	821136	Filter-Air Cleaner Cartridge	601C	691038	Clamp-Hose	843	809672	Sleeve-Lever
445B	692519	Filter-Air Cleaner Cartridge ----- <b>Note</b> ----- <b>841856</b> Filter-Air Cleaner Cartridge (UL Marked)	607	692539	Screw (Air Cleaner Brace)	851	493880	Terminal-Spark Plug
448	841504	Bracket-Oil Cooler	613	809743	Screw (Muffler) ----- <b>Note</b> ----- <b>692062</b> Screw (Muffler) Used on Type No(s). 0076, 0111.	855	809896	Adapter-Air Cleaner
466	841301	Seal-O Ring (Breather Assembly)	615	809533	Retainer-Governor Shaft	862	841886	Strap/Stud-Air Cleaner Mounting
467	841846	Knob-Air Cleaner	616	809433	Crank-Governor	868	★ <b>691963</b>	Seal-Valve
468	690690	Seal-O Ring (Oil Pump Screen)	635	692076	Boot-Spark Plug	871	692057	Bushing-Valve Guide
474E	696579	Alternator (20 Amp)	643	841850	Retainer-Air Filter	877D	698092	Wire/Connector- Alternator
479	807084	Screw (Oil Pump Screen)	646	841849	Brace-Air Cleaner	879	809955	Cover-Carburetor
493	842713	Bracket-Mounting	664	691087	Nut (Key Switch)	883	★ <b>809872</b>	Gasket-Exhaust
500	691086	Washer (Key Switch)	691	★ <b>809287</b>	Seal-Governor Shaft	884	841968	Clamp-Muffler
501B	691573	Regulator (20 Amp)	703	★ <b>807116</b>	Clip	890	809987	Bracket-Support
			711	691492	Screw (Carburetor Shield)	890A	841614	Bracket-Support
						892	692318	Switch-Key
						906	690707	Spring-Torsion
						914	807357	Screw (Rocker Cover)
						920	825418	Solenoid-Starter
						943	★ <b>690681</b>	Seal-O Ring (Oil Pump Cover)

★ Included in Engine Gasket Set-Ref. No.358.

● Included in Carburetor Overhaul Kit-Ref. No. 121.

◆ Included in Carburetor Gasket Set-Ref. No. 977.

△ Included in Valve Gasket Set-Ref. No 1095.

*Illustrations cover a range of engines. Parts shown without corresponding text may not be used on your specific engine.*

**613400**

REF. NO.	PART NO.	DESCRIPTION	REF. NO.	PART NO.	DESCRIPTION	REF. NO.	PART NO.	DESCRIPTION
947	842109	Solenoid-Fuel	1077	809729	Bracket-Lifting	1335	690939	Nut
955	809640	Plug-Carburetor	1091	691515	Cap-Limiter			Blower Housing
965	809422	Cover-Oil Pump	1095	841123	Gasket Set-Valve	1336	841015	Shield-Wire Protective
967	692520	Filter-Pre Cleaner	1100	690973	Pivot-Rocker Arm	1337	807382	Screw
968	841847	Cover-Air Cleaner	1119	691552	Screw			Air Cleaner Bracket
975	842106	Bowl-Float			(Alternator)	1338	809334	Tray-Oil Drip
987	●809639	Seal-Throttle Shaft	1127	809715	Screw	1339	807435	Screw
		----- Note -----			(Float Bowl)			Oil Drip Tray
		809641 Seal-Throttle	1130	841590	Stud	1344	841613	Cable-Choke
		Shaft			(Intake Manifold)	1366	841510	Diverter-Oil Cooler
988	841506	Gasket-Oil Adapter	1155	806647	Washer	1369	841612	Guard-Flywheel Fan
990	691959	Key Set			(Oil Cooler)	1370	692539	Screw
1005	809950	Fan-Flywheel	1174	842067	Nut			(Flywheel Fan Guard)
1006	809999	Retainer-Fan			(Intake Manifold)	1371	841537	Nut
1009	690711	Screw	1209	692539	Screw			(Flywheel Fan Guard)
		(Starter Motor)			(Speed Control Panel)	1372	809946	Stud
1013	809505	Nipple-Oil Filter	1212	809958	Stud			(Rotating Screen)
1013A	841602	Nipple-Oil Filter			(Blower Housing)	1373	692539	Screw
1017	809421	Screen-Oil Pump	1263	841324	Reed-Breather			(Oil Cooler Bracket)
1019	841305	Kit-Label	1315	809905	Hose-Air Cleaner	1375	841550	Cover-Breather Reed
1022	★△809732	Gasket-Rocker Cover	1328	809907	Cap-A/C Rain	1376	806421	Screw
1023	809789	Cover-Rocker	1330	272144	Repair Manual			(Breather/Reed Cover)
1023A	809731	Cover-Rocker	1331	809934	Seal-O Ring	1378	841615	Washer/Nut Set
1024	809396	Pump-Oil			(Fuel Pump)	1413	842711	Sensor-Speed
1026	809783	Rod-Push	1332	806647	Washer			
		(Aluminum)			(Rotating Screen)			
1027	492932	Filter-Oil	1334	807435	Screw			
		(2 1/4" Long)			(Air Guide)			
1029	807323	Arm-Rocker	1334A	841233	Screw			
1036	841813	Label-Emissions			(Air Guide)			
1054	807340	Tie-Cable	1334B	692062	Screw			
1058	275723	Operator's Manual			(Air Guide)			
1070	807435	Screw	1334C	690677	Screw			
		(Flywheel Fan)			(Air Guide)			

★ Included in Engine Gasket Set-Ref. No.358.

● Included in Carburetor Overhaul Kit-Ref. No. 121.

◆ Included in Carburetor Gasket Set-Ref. No. 977.

△ Included in Valve Gasket Set-Ref. No 1095.

**Illustrations cover a range of engines. Parts shown without corresponding text may not be used on your specific engine.**