

60300 to 60499
61300 to 61499

Illustrated Parts List

Model Series

60300 to 60499

TYPE NUMBERS
0010 through 0061
0110 through 0251
942000 through 942276

61300 to 61499

TYPE NUMBERS
0110 through 0183
942500 through 942659

TO FIND

THE CORRECT NUMBER OF THE PART YOU NEED:

FOLLOW THE INSTRUCTIONS BELOW:

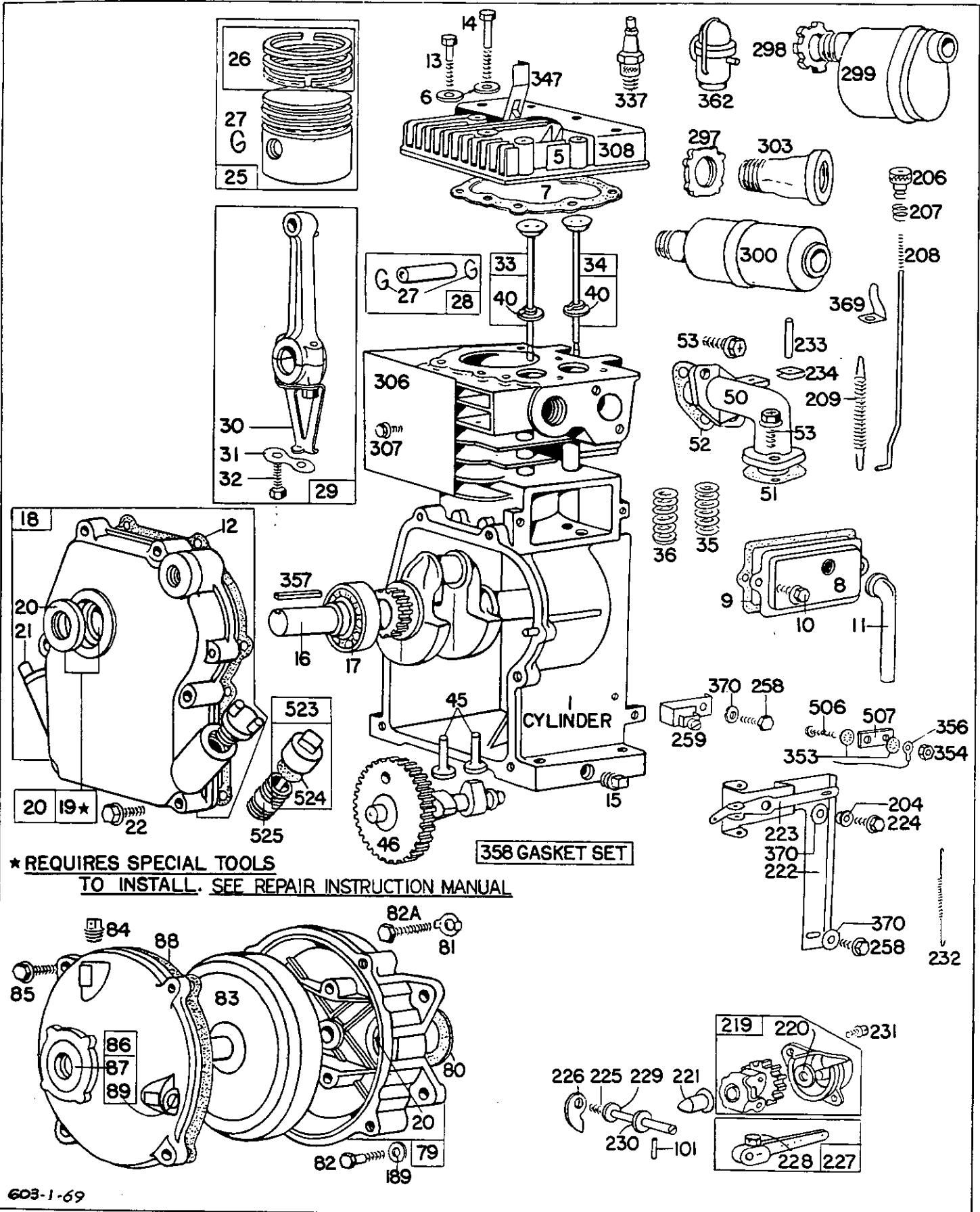
- A. Refer to Engine Model, Type and Code Number that is stamped on the blower housing or nameplate of engine. Engine type numbers such as 0147 01 are listed herein only as 0147. The two digits (01 or 02, etc.) to the right of the space are not needed for parts identification. Then use the Illustrated Parts List covering these Model Series.
- B. Refer to Illustrated Parts section and compare the old part with illustration. The number on the illustration is the Reference Number. Assemblies include all parts shown in frames. All parts shown in assembly frames on which individual reference numbers are given can be purchased separately.
- C. After the Reference Number has been identified, refer to the Numerical Parts List, where Reference and Master Part Numbers are listed. **THE MASTER PART IS USED ON ALL TYPE NUMBERS EXCEPT THOSE TYPE NUMBERS UNDER "NOTE".**
- D. If a "Note" appears below the Master Part Number, this means that this part differs from the Master Part for certain types. If the Type Number is listed under "Note", order the part referred to.
- E. If the Engine Type Number does not appear after any part number listed under "Note", use the Master Part Number.
- F. For Type Numbers higher than those covered by this book, please refer to the factory if you are unable to identify the part by comparison.

PRINTED IN U.S.A.



COPYRIGHT ©

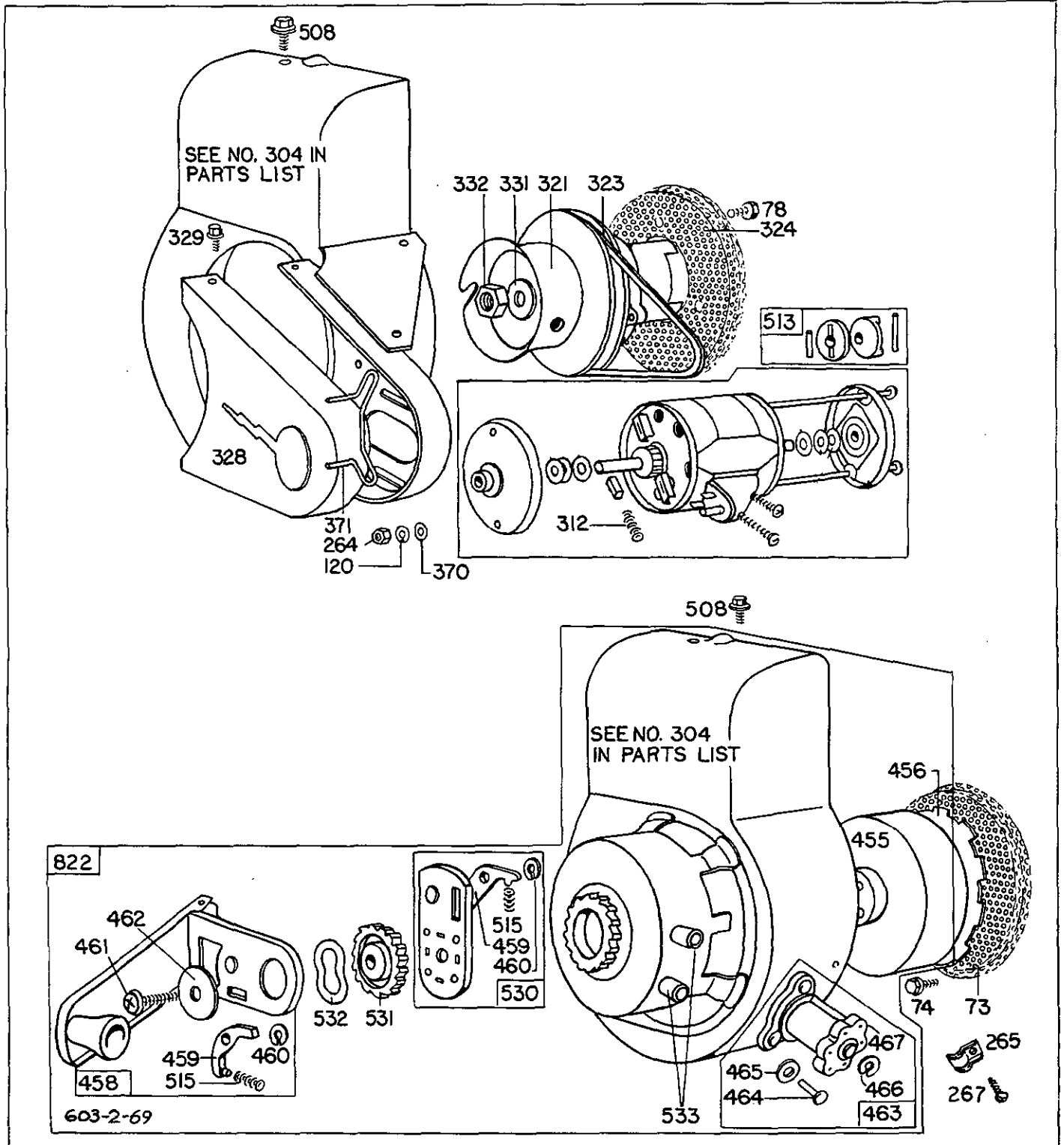
60300 To 60499
61300 To 61499



*** REQUIRES SPECIAL TOOLS TO INSTALL. SEE REPAIR INSTRUCTION MANUAL**

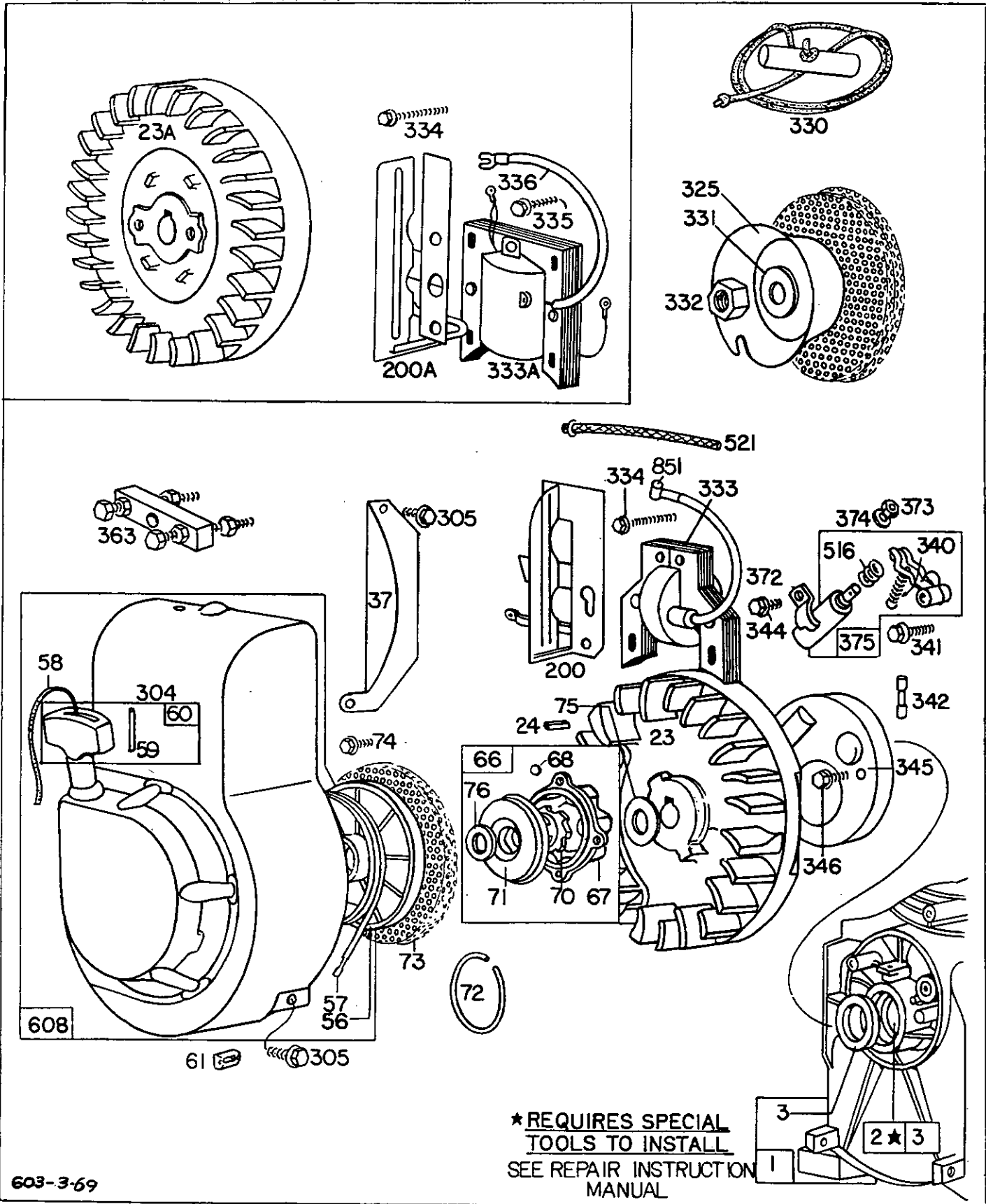
Assemblies include all parts shown in frames.

60300 To 60499
61300 To 61499



Assemblies include all parts shown in frames.

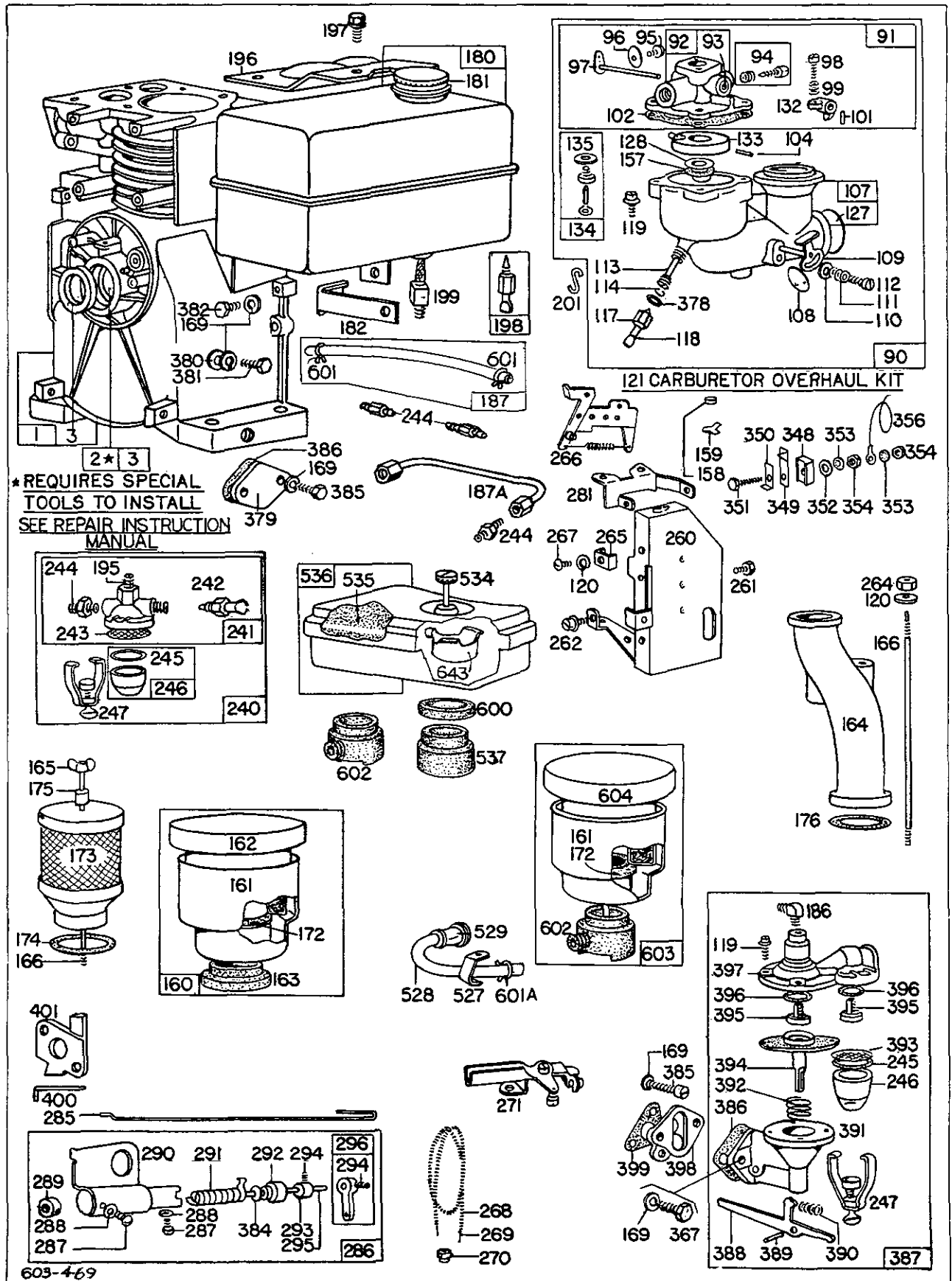
60300 To 60499
61300 To 61499



603-3-69

Assemblies include all parts shown in frames.

60300 To 60499
61300 To 61499



Assemblies include all parts shown in frames.

60300 To 60499
61300 To 61499

REF. NO. 1 - 16

REF. NO.	PART NO.	DESCRIPTION	REF. NO.	PART NO.	DESCRIPTION	REF. NO.	PART NO.	DESCRIPTION
1	296561	Cylinder Assembly Used on <i>Model 60300, 60400</i> Series after Serial No. 5810030. Note: 294301 Cylinder Assy. Used on <i>Model 60300, 60400</i> Series before Serial No. 5810060.			<i>Model 61300, 61400</i> Series type Nos. 0150, 0152, 0156, 942557, 942564, 942573, 942593, 942630, 942635, 942636. 295053 Head-Cylinder Used on type No. 942217.			Note: 92737 Plug-Oil Drain Used on <i>Model 60300, 60400</i> Series type Nos. 0248, 942217.
	296610	Cylinder Assembly Used on <i>Model 61300, 61400</i> Series after Serial No. 5810030. Note: 295469 Cylinder Assy. Used on <i>Model 61300, 61400</i> Series before Serial No. 5810060. 295733 Cylinder Assy. Used on type No. 942645.	6	22963	Washer-Plain	16	260271	Crankshaft Note: 260037 Crankshaft Used on <i>Model 60300, 60400</i> Series type Nos. 0028, 0060, 0164, 0168, 0174, 0175, 0182, 0206, 0213, 0218, 0223, 0226, 942029, 942032, 942033, 942035, 942038, 942046, 942047, 942053, 942054, 942075, 942083, 942096, 942124, 942142, 942147, 942149, 942182, 942188, 942190, 942191, 942207, 942237, 942240, 942245, 942269; also used on <i>Model 61300, 61400</i> Series type Nos. 0155, 0159, 0162, 0167, 0170, 0173, 0178, 0179, 0181, 942536, 942537, 942540, 942557, 942558, 942566, 942568, 942574, 942579, 942587, 942607, 942620, 942653, 942657.
2	293708	Bushing-Cylinder Note: 293708 and 220538 Bushings Require special tools for installation. 220538 Bushing-Cyl. Used on type No. 942246.	7	‡27670	Gasket-Cylinder Head Note: Two No. 27670 Gaskets are used on <i>Model 60300, 60400</i> Series type Nos. 0182, 0200, 0208, 942074, 942095, 942096, 942117, 942151, 942174; also used on <i>Model 61300, 61400</i> Series type Nos. 0150, 0152, 0156, 942557, 942564, 942573, 942593, 942630, 942635, 942636.			260039 Crankshaft Used on <i>Model 60300, 60400</i> Series type Nos. 0061, 0214, 0229, 0230, 0236, 0237, 942030, 942043, 942055, 942067, 942070, 942071, 942097, 942099, 942100, 942119, 942144, 942148, 942150, 942159, 942170,
3	299819	Seal-Oil	8	294178	Breather-Valve Chamber			
5	210812	Head-Cylinder Note: 210209 Head-Cyl. Used on engines before Serial No. 5810060. 210812 Head-Cylinder Used after Serial No. 5810030. 210624 Head-Cylinder Used before Serial No. 5810060. Uses: 220863 Washer-Spacer (Between Tank Bracket and one boss on Cylinder Head) On <i>Model 60300, 60400</i> Series type Nos. 0182, 0200, 0208, 942074, 942095, 942096, 942117, 942151, 942174; also used on	9	‡27549	Gasket-Valve Cover			
			10	93394	Screw-Breather Mounting Sem			
			11	66638	Tube-Breather			
			12	‡270833	Gasket-Crankcase-.015" thick (Standard)			
				‡270895	Gasket-Crankcase-.005" thick			
				‡270896	Gasket-Crankcase-.009" thick			
			13	91386	Screw-Cylinder Head (2" long)			
			14	92674	Screw-Cylinder Head (2-7/16" long) Note: 92985 Screw-Cylinder Head 63336 Spacer Used on type No. 942534.			
			15	91249	Plug-Pipe, 1/4" Std., Square Hd.			

‡ Included in Gasket Set-
Part No. 297275.

REF. NO. 16

60300 To 60499
61300 To 61499

REF. NO.	PART NO.	DESCRIPTION	REF. NO.	PART NO.	DESCRIPTION	REF. NO.	PART NO.	DESCRIPTION
	942178, 942181, 942184, 942215, 942217, 942220, 942239; also used on Model 61300, 61400 Series type Nos. 0158, 0168, 0171, 0174, 942570, 942581, 942608, 942609, 942638, 942642, 942643, 942644.				used on Model 61300, 61400 Series type Nos. 0126, 0145, 0169, 0180, 942518, 942526, 942533, 942585, 942599, 942606, 942616, 942623, 942658.			942577, 942580, 942586, 942589, 942597, 942598, 942631, 942636, 942637, 942648, 942649, 942652.
	260043 Crankshaft Used on Model 60300, 60400 Series type Nos. 0045, 0125, 0144, 0151, 0170, 0191, 0200, 0219, 942017, 942044, 942045, 942056, 942084, 942098, 942108, 942111, 942114, 942117, 942121, 942125, 942134, 942157, 942160, 942167, 942183, 942201; also used on Model 61300, 61400 Series type Nos. 0144, 0165, 942517, 942538, 942571, 942575, 942578, 942590, 942605, 942627.			260103 Crankshaft Used on Model 60300, 60400 Series type Nos. 0027, 0120, 0121, 0140, 0141, 0158, 0165, 0166, 0171, 0177, 0178, 0179, 0192, 0197, 0208, 0211, 0227, 0238, 0247, 0250, 942015, 942016, 942021, 942022, 942031, 942034, 942036, 942041, 942042, 942052, 942061, 942072, 942073, 942077, 942101, 942106, 942107, 942146, 942151, 942166, 942173, 942177, 942179, 942186, 942192, 942200, 942202, 942203, 942212, 942213, 942219, 942224, 942241, 942249, 942270, 942271, 942275; also used on Model 61300, 61400 Series type Nos. 0120, 0121, 0140, 0141, 0150, 0151, 0152, 0153, 0154, 0156, 0160, 0176, 0182, 0183, 942515, 942516, 942521, 942522, 942532, 942543, 942544, 942554, 942561, 942564, 942565, 942576.				260116 Crankshaft Used on Model 60300, 60400 Series type Nos. 0035, 0150, 0155, 0180, 0187, 0203, 0209, 0216, 0239, 0243, 0245, 0251, 942081, 942089, 942113, 942129, 942187, 942206, 942216, 942222, 942223, 942229, 942233, 942238, 942247, 942258; also used on Model 61300, 61400 Series type Nos. 0161, 0172, 942546, 942588, 942591, 942610, 942612, 942613, 942614, 942617, 942619, 942621, 942632, 942641.
	260100 Crankshaft Used on Model 60300, 60400 Series type Nos. 0049, 0126, 0145, 0152, 0154, 0160, 0167, 0172, 0198, 0201, 0222, 0233, 942018, 942079, 942085, 942118, 942130, 942132, 942161, 942175, 942180, 942197, 942214, 942226, 942230, 942232, 942234, 942253, 942254, 942262; also				260118 Crankshaft Used on Model 60300, 60400 Series type Nos. 0181, 0188, 0189, 0190, 0212, 0246, 0248, 942140, 942165, 942242, 942246, 942248, 942261; also used on Model 61300, 61400 Series type No. 942628.			260180 Crankshaft Used on type No. 942622.
								260196 Crankshaft Used on Model 60300, 60400 Series type Nos. 0025, 942037, 942221; also used on Model 61300 type No. 942539.

60300 To 60499
61300 To 61499

REF. NO. 16 - 19

REF. NO.	PART NO.	DESCRIPTION	REF. NO.	PART NO.	DESCRIPTION	REF. NO.	PART NO.	DESCRIPTION
	260248	Crankshaft Used on type No. 942204.		942573, 942600, 942639, 942640, 942654, 942655, 942659.			260496	Crankshaft Used on <i>Model 60300, 60400</i> Series type Nos. 0029, 942059; also used on <i>Model 61300</i> Series type No. 942555.
	260265	Crankshaft Used on type No. 942645.		260424	Crankshaft Used on type Nos. 942122, 942569.		260528	Crankshaft Used on type No. 942584.
	260266	Crankshaft Used on <i>Model 60300, 60400</i> Series type Nos. 0161, 942049, 942143, 942274; also used on <i>Model 61300</i> Series type No. 942624.		260445	Crankshaft Used on <i>Model 60300</i> Series type Nos. 0013, 0014, 0205, 942152, 942155.		260664	Crankshaft Used on type No. 0249.
	260272	Crankshaft Used on <i>Model 60300, 60400</i> Series type Nos. 0010, 0050, 0110, 0115, 0132, 0162, 0163, 0166, 0169, 0176, 0185, 0193, 0202, 0215, 0228, 0231, 0235, 942010, 942012, 942013, 942019, 942023, 942024, 942025, 942050, 942057, 942064, 942065, 942066, 942069, 942078, 942082, 942087, 942091, 942092, 942095, 942102, 942103, 942105, 942116, 942123, 942126, 942127, 942131, 942135, 942136, 942141, 942163, 942168, 942169, 942185, 942193, 942205, 942218, 942252, 942276; also used on <i>Model 61300, 61400</i> Series type Nos. 0110, 0115, 0132, 0163, 0177, 942510, 942512, 942513, 942519, 942525, 942528, 942529, 942531, 942534,		260493	Crankshaft Used on <i>Model 60300, 60400</i> Series type Nos. 0026, 0225, 942039, 942048, 942074, 942090, 942094, 942112, 942174, 942198; also used on <i>Model 61300, 61400</i> Series type Nos. 0157, 942583, 942604, 942626, 942630, 942651.	17	99158	Bearing-Ball
				260494	Crankshaft Used on <i>Model 60300, 60400</i> Series type Nos. 0156, 0159, 942040, 942068, 942086, 942133, 942164, 942189, 942243, 942244, 942259, 942263; also used on <i>Model 61300, 61400</i> Series type Nos. 942553, 942572, 942582, 942592, 942593, 942615, 942618, 942625.	18	294305	Cover Assembly-Crankcase Used on <i>Model 60301, 60302, 61301, 61302, 61303</i> Series. Note: 294307 Cover Assy. - Crankcase Used on <i>Model 60311, 60312, 60351, 60352, 60401, 60402, 61311, 61312, 61351, 61352, 61353, 61401, 61402</i> Series. 392975 Cover Assy. - Crankcase Used on <i>Model 60331, 60332, 60431, 60432, 61331, 61332, 61431, 61432</i> Series.
				260495	Crankshaft Used on <i>Model 60300</i> Series type No. 0244; also used on <i>Model 61300, 61400</i> Series type Nos. 0175, 942541.	19	293708	Bushing-Crankcase Cover Note: Parts 220538, 293708 and 294499 require special tools for installation. Note: 220538 Bushing-Crankcase Cover Used on <i>Model 60311, 60312, 60351, 60352, 61311, 61312, 61351, 61352, 61353</i> Series.

60300 To 60499
61300 To 61499

REF. NO. 19 - 26

REF. NO.	PART NO.	DESCRIPTION	REF. NO.	PART NO.	DESCRIPTION	REF. NO.	PART NO.	DESCRIPTION
		294499 Bushing Assy. - Crankcase Cover Used on Model 60401, 60402, 61401, 61402 Series.						
20	299819	Seal-Oil Note: 293740 Seal-Oil Used on Model 60331, 60332, 60431, 60432, 61331, 61431, 61432 Series.						
		392838 Oil Seal and Spacer Used on Model 60311, 60312, 60401, 60402, 61401, 61402 Series.						
21	66768	Plug-Oil Filler						
22	93032	Screw-Crankcase Cover Mounting Sem Note: 92747 Screw-Crankcase Cover Mounting Sem Used in two top holes to mount cover on Model 60311, 60312, 60351, 60352, 60401, 60402, 61311, 61312, 61351, 61352, 61353, 61401, 61402 Series.						
23	296884	Flywheel Assembly Used on and after Serial No. 6212310. Note: 297949 Flywheel Assembly Used on Model 60300 Series type Nos. 0188, 0189, 0190.						
23A	295936	Flywheel Assembly (Used before Serial No. 6212310) Note: 293205 Flywheel Assembly Used before Serial No. 6212310 on type Nos. 942165, 942239, 942246, 942248.						
24	61760	Key-Flywheel						
			PISTON ASSEMBLIES MODEL 60300, 60400 (2-3/8 dia. Bore after Serial No. 5810030)					
			25	295587	Piston Assembly-Std. Note: 295588 Piston Assy. - .010" O. S. 295589 Piston Assy. - .020" O. S. 295590 Piston Assy. - .030" O. S.			
			PISTON ASSEMBLIES MODEL 60300, 60400 (2-5/16 dia. Bore before Serial No. 5810060)					
			293400		Piston Assy. -Std. Note: 293401 Piston Assy. - .010" O. S. 293402 Piston Assy. - .020" O. S. 293403 Piston Assy. - .030" O. S.			
			PISTON ASSEMBLIES MODEL 61300, 61400 (2-3/8 dia. Bore after Serial No. 5810030)					
			295455		Piston Assy. -Std. Note: 295456 Piston Assy. - .010" O. S. 295457 Piston Assy. - .020" O. S. 295458 Piston Assy. - .030" O. S.			
			PISTON ASSEMBLIES MODEL 61300, 61400 (2-5/16 dia. Bore before Serial No. 5810060)					
			295479		Piston Assy. -Std. Note: 295480 Piston Assy. - .010" O. S. 295481 Piston Assy. - .020" O. S. 295482 Piston Assy. - .030" O. S.			
						MODEL SERIES 60300, 60400 PISTON RING SETS:		
						Note:		For Chrome Piston Ring Set for 2-3/8" bore-Standard Size-order Part No. 297201.
			26	294232	Piston Ring Set-Std. Piston Used on Model 60300, 60400 Series after Serial No. 5810030. Note: 293506 Ring Set-Standard Piston Used on Model 60300, 60400 Series before Serial No. 5810060.			
						294224		Ring Set-.010" O. S. Piston Used on Model 60300, 60400 Series after Serial No. 5810030. Note: 293507 Ring Set-.010" O. S. Piston Used on Model 60300, 60400 Series before Serial No. 5810060.
						294225		Ring Set-.020" O. S. Piston Used on Model 60300, 60400 Series after Serial No. 5810030. Note: 293508 Ring Set-.020" O. S. Piston Used on Model 60300, 60400 Series before Serial No. 5810060.
						294226		Ring Set-.030" O. S. Piston Used on Model 60300, 60400 Series after Serial No. 5810030. Note: 293509 Ring Set-.030" O. S. Piston Used on Model 60300, 60400 Series before Serial No. 5810060.

60300 To 60499
61300 To 61499

REF. NO. 26 - 34

REF. NO.	PART NO.	DESCRIPTION	REF. NO.	PART NO.	DESCRIPTION	REF. NO.	PART NO.	DESCRIPTION					
MODEL SERIES 61300, 61400 PISTON RING SETS:			29	294300	Rod Assembly--Connecting			Used on <i>Model 60300, 60400</i> Series type					
	Note:	For Chrome Piston Ring Set for 2-3/8" bore--standard size--order Part No. 297201	30	220459	Dipper--Conn. Rod			Nos. 0026, 0027, 0028, 0035, 0060, 0061, 0156, 0193, 942040, 942099, 942181, 942189, 942243, also used on <i>Model 61300, 61400</i> Series type Nos. 0165, 0174, 0179, 942572, 942577, 942589, 942590, 942592, 942593, 942625, 942645.					
295657		Ring Set--Std. Piston Used on Model 61300, 61400 Series after Serial No. 5810030.	31	220460	Lock--Connecting Rod Screw								
	Note:	295649 Ring Set--Standard Piston Used on Model 61300, 61400 Series before Serial No. 5810060.	32	92296	Screw--Connecting Rod								
295658		Ring Set--.010" O.S. Piston Used on Model 61300, 61400 Series after Serial No. 5810030.	33	296676	Valve--Exhaust (Grooved Stem--Includes Retainer No. 93312)								
	Note:	295650 Ring Set--.010" O.S. Piston Used on Model 61300, 61400 Series before Serial No. 5810060.			Note: 260443 Valve--Exhaust (STELLITE®) (With Hole in Stem) For Pins and Retainers for this valve see note under reference number 40.								
295659		Ring Set--.020" O.S. Piston Used on Model 61300, 61400 Series after Serial No. 5810030.			Used on <i>Model 60300, 60400</i> Series type Nos. 0013, 0014, 0016, 0159, 0161, 0188, 0189, 0190, 0203, 0206, 0210, 0225, 0226, 0227, 0229, 0237, 0238, 0248, 0249, 942049, 942062, 942072, 942101, 942109, 942143, 942152, 942154, 942155, 942162, 942165, 942170, 942184, 942217, 942239, 942244, 942246, 942248, 942263, 942274; also used on <i>Model 61300, 61400</i> Series type Nos. 0182, 942535, 942547, 942559, 942562, 942602, 942603, 942618, 942624, 942644.			34	296677	Valve--Intake (Grooved Stem--Includes Retainer No. 93312)			Note: 23386 Valve--Intake (With Hole in Stem) Used on engines before Serial No. 5810060.
	Note:	295651 Ring Set--.020" O.S. Used on Model 61300, 61400 Series before Serial No. 5810060.						230101 Valve--Intake (With Hole in Stem) For Pins and Retainers for this valve and Part No. 23386 see note under reference number 40.					
295660		Ring Set--.030" O.S. Piston Used on Model 61300, 61400 Series after Serial No. 5810030.						Used on <i>Model 60300, 60400</i> Series type Nos. 0013, 0014, 0016, 0159, 0161, 0188, 0189, 0190, 0203, 0206, 0210, 0225, 0226, 0227, 0229, 0237, 0238, 0248, 0249, 942049, 942062, 942072, 942101, 942109, 942143, 942152, 942154, 942155, 942162, 942165, 942170, 942184, 942217, 942239, 942244, 942246, 942248, 942263, 942274; also used on <i>Model 61300, 61400</i> Series type Nos. 0182, 942535, 942547, 942559, 942562, 942602, 942603, 942618, 942624, 942644.					
	Note:	295652 Ring Set--.030" O.S. Used on Model 61300, 61400 Series before Serial No. 5810060.			260442 Valve--Exhaust (With Hole in Stem) For Pins and Retainers for this valve see note under Reference Number 40.								
27	26026	Lock--Piston Pin											
28	298909	Pin Assembly--Piston--Standard											
	298908	Pin Assembly--Piston--.005" O.S.											

60300 To 60499
61300 To 61499

REF. NO. 66 - 90

REF. NO.	PART NO.	DESCRIPTION	REF. NO.	PART NO.	DESCRIPTION	REF. NO.	PART NO.	DESCRIPTION
66	298310	Clutch Assy. - Rewind and Wind-up Starter Used after Serial No. 6405220.			23388 Ratchet-Foot Starter Used on type Nos. 0014, 942155.			Note: Use: 92279 Screw, Cap, Hex. Hd. - 5/16-24 x 1-1/2" on inside of gear case to mount same to crankcase.
	Note:	298798 Clutch Assy. - Rewind and Wind-up Starter Uses: 298799 Ratchet Assy. 66718 Washer-Thrust 212132 Housing-Ratchet Starter Used before Serial No. 6405250. 290221 Clutch Assy. - Starter 291230 Starter Assy. - Foot Uses: 89363 Sector 99632 Tooth-Spring 26025 Spring-Pedal Return Used on type Nos. 0014, 942155.	71	221653	Washer-Clutch Retainer Used after Serial No. 6405220. Note: 221301 Washer-Clutch Retainer (Used with square shank ratchet) Used before Serial No. 6405250. 220575 Washer-Clutch Retainer (Used with 7 point shank ratchet) 22182 Washer-Clutch Retainer Used on type Nos. 0014, 942155.	82A	92279	Screw-Cap. Hex. Hd.- 5/16-24 x 1/2"
	Note:	210400 Housing-Starter Clutch Used before Serial No. 6405250.	72	26032	Spring-Clutch Retainer Used before Serial No. 6405250.	83	211293	Shaft Assy. - Drive Note: Order-Shaft Assy. - Drive Used on type Nos. 942111, 942201. From the equipment manufacturer.
	Note:	291017 Housing-Starter Clutch Uses: 91758 Screw-Set Used on type Nos. 0014, 942155.	73	221661	Screen-Rotating Used after Serial No. 6405220. Note: 220648 Screen-Starter Pulley Used before Serial No. 6405250.	84	92617	Plug-Breather
67	212131	Housing-Starter Clutch Used after Serial No. 6405220.			74	93490	Screw-Rotating Screen Mounting Sem	
	Note:	291017 Housing-Starter Clutch Uses: 91758 Screw-Set Used on type Nos. 0014, 942155.	75	220865	Washer-Spring (Used to lock windup and rewind starter clutch)	85	92747	Screw-Gear Case Mounting Sem
	Note:	91758 Screw-Set Used on type Nos. 0014, 942155.	76	68238	Washer-Ratchet Sealing Used after Serial No. 6405220.	86	291730	Cover Assembly-Gear Case
68	63770	Ball-Clutch			78	93705	Screw-Pulley Screen Mounting Sem	
70	298436	Ratchet-Rewind and Wind-up Starter Used after Serial No. 6405220.			79	290779	Case Assembly-Gear	
	Note:	296597 Ratchet-Rewind and Wind-up Starter Used before Serial No. 6405250.	80	27667	Gasket-Gear Case	87	19011	Seal-Oil
	Note:	296597 Ratchet-Rewind and Wind-up Starter Used before Serial No. 6405250.	81	220234	Lock-Gear Case Mounting Sem	88	27313	Gasket-Gear Case Cover
	Note:	296597 Ratchet-Rewind and Wind-up Starter Used before Serial No. 6405250.	82	91541	Screw-Cap, Hex. Hd.- 5/16-24 x 7/8"	89	93448	Plug-Headless, 1/4" Pipe Thread (Used after Serial No. 6304170) Note: 92015 Plug-Headless (Used before Serial No. 6304180) 91488 Plug-Pipe, 1/8" Square Head Used on type No. 942526. 92015 Plug-Headless 92961 Elbow-Street, 1/8", 90° Used on type No. 942121.
	Note:	296597 Ratchet-Rewind and Wind-up Starter Used before Serial No. 6405250.			90	294311	Carburetor Assembly (Manual Choke) Note: 294075 Carburetor Assy. (Manual Choke-Mechanical Governor) Used on Model 60400 Series type Nos. 0050, 0060, 0061, 0132, 0133, 0140, 0141, 0144, 0145, 0163, 0212, 0230.	

REF. NO. 90 - 91

60300 To 60499
61300 To 61499

REF. NO.	PART NO.	DESCRIPTION	REF. NO.	PART NO.	DESCRIPTION	REF. NO.	PART NO.	DESCRIPTION
		0236, 0237, 0246, 0247, 0248, 942019, 942020, 942021, 942022, 942043, 942054, 942055, 942067, 942070, 942071, 942089, 942097, 942099, 942119, 942136, 942140, 942150, 942159, 942181, 942184, 942211, 942213, 942215, 942217, 942220, 942233, 942261; also used on <i>Model 61400</i> Series type Nos. 0132, 0133, 0140, 0141, 0144, 0145, 0154, 0158, 0168, 0171, 0173, 0174, 0178, 942519, 942520, 942521, 942522, 942570, 942581, 942591, 942596, 942598, 942607, 942608, 942614, 942615, 942616, 942628, 942629, 942638, 942642, 942643, 942644, 942645.			942144, 942148; also Used on <i>Model 61400</i> Series type No. 942609. 294671 Carburetor Assy. (Kerosene) Used on <i>Model 60300</i> Series type Nos. 0182, 0200, 0208, 0214, 0229, 942074, 942095, 942096, 942117, 942151, 942174; also used on <i>Model 61300</i> Series type Nos. 0150, 0152, 0156, 942557, 942564, 942573, 942593, 942630, 942635, 942636. 295613 Carburetor Assy. (L.P. Gas) Used on <i>Model 60300</i> Series type Nos. 0193, 942062, 942162, 942244; also used on <i>Model 61300</i> Series type Nos. 942559, 942602, 942618. 296108 Carburetor Assy. (Remote Choke-Mechanical Governor) Used on <i>Model 60400</i> Series type Nos. 0188, 0189, 0190, 942165, 942239, 942246, 942248. 297031 Carburetor Assy. (Choke-A-Matic) Used on <i>Model 60300</i> Series type Nos. 0173, 0183, 0184, 0196, 0207, 0217, 0242, 942231, 942265, 942266, 942267, 942273; also used on <i>Model 61300</i> Series type Nos. 942646, 942647, 942650, 942656.			297914 Carburetor Assy. (Choke-A-Matic) Used on <i>Model 60300</i> Series type Nos. 0194, 942256. 91 294312 Housing Assembly-Throttle Note: 89495 Housing Assy. - Throttle (Mechanical Governor) Used on <i>Model 60400</i> Series type Nos. 0050, 0060, 0061, 0132, 0133, 0140, 0141, 0144, 0145, 0145, 0163, 0188, 0189, 0190, 0212, 0230, 0236, 0237, 0246, 0247, 0248, 942019, 942020, 942021, 942022, 942043, 942054, 942055, 942067, 942070, 942071, 942089, 942097, 942099, 942119, 942136, 942140, 942144, 942148, 942150, 942159, 942165, 942170, 942181, 942184, 942211, 942213, 942215, 942217, 942220, 942233, 942239, 942246, 942248, 942261; also used on <i>Model 61400</i> Series type Nos. 0132, 0133, 0140, 0141, 0144, 0145, 0154, 0158, 0168, 0171, 0173, 0174, 0174, 0178, 942519, 942520, 942521, 942522, 942570, 942581, 942591, 942596, 942598, 942607, 942608, 942609, 942614, 942615, 942628.
		294089 Carburetor Assy. (Mechanical Governor-Kerosene) Used on <i>Model 60400</i> Series type No. 942170. 294456 Carburetor Assy. (Remote Choke) Used on <i>Model 60300</i> Series type Nos. 0013, 942152, 942155. 294607 Carburetor Assy. (Mechanical Governor-Automatic Choke) Used on <i>Model 60400</i> Series type Nos.						

60300 To 60499
61300 To 61499

REF. NO. 91 - 108

REF. NO.	PART NO.	DESCRIPTION	REF. NO.	PART NO.	DESCRIPTION	REF. NO.	PART NO.	DESCRIPTION
		942629, 942638, 942642, 942643, 942644, 942645. 298146 Housing Assy. -Throttle Used on <i>Model 60300</i> Series type Nos. 0173, 0183, 0184, 0194, 0196, 0207, 0217, 0242, 942231, 942256, 942265, 942266, 942267, 942273; also used on <i>Model 61300</i> Series type Nos. 942646, 942647, 942650, 942656.			942181, 942184, 942211, 942213, 942215, 942217, 942220, 942233, 942239, 942246, 942248, 942261; also used on <i>Model 61400</i> Series type Nos. 0132, 0133, 0140, 0141, 0144, 0145, 0154, 0158, 0168, 0171, 0173, 0174, 0178, 942519, 942520, 942521, 942522, 942570, 942581, 942591, 942596, 942598, 942607, 942608, 942609, 942614, 942615, 942616, 942628, 942629, 942638, 942642, 942643, 942644, 942645, 296988 Shaft and Lever-Throttle Used on <i>Model 60300</i> Series type Nos. 0173, 0183, 0184, 0194, 0196, 0207, 0217, 0242, 942231, 942256, 942265, 942266, 942267, 942273; also used on <i>Model 61300</i> Series type Nos. 942646, 942647, 942650, 942656.			Note: 294431 Body Assembly-Carburetor Used on <i>Model 60300</i> , <i>60400</i> Series type Nos. 0013, 0188, 0189, 0190, 942152, 942155, 942165, 942239, 942246, 942248. 294608 Body Assembly-Carburetor Used on <i>Model 60400</i> Series type Nos. 942144, 942148; also used on <i>Model 61400</i> Series type No. 942609. 297032 Body Assembly-Carburetor Used on <i>Model 60300</i> Series type Nos. 0173, 0183, 0184, 0196, 0207, 0217, 0242, 942231, 942265, 942266, 942267, 942273, also used on <i>Model 61300</i> Series type Nos. 942646, 942647, 942650, 942656. 297915 Body Assembly-Carburetor Used on <i>Model 60300</i> Series type Nos. 0194, 942256.
92	99634	Body-Upper Carburetor						
93	23230	Bushing-Throttle Shaft						
94	292681	Valve Assembly- Carburetor Idle						
95	93038	Screw-Throttle Valve Mounting Sem						
96	22036	Valve-Throttle						
97	293907	Shaft and Lever- Throttle						
		Note: 99868 Shaft and Lever- Throttle (Mechanical Governor) Used on <i>Model 60400</i> Series type Nos. 0050, 0060, 0061, 0132, 0133, 0140, 0141, 0144, 0145, 0163, 0188, 0189, 0190, 0212, 0230, 0236, 0237, 0246, 0247, 0248, 942019, 942020, 942021, 942022, 942043, 942054, 942055, 942067, 942070, 942071, 942089, 942097, 942099, 942119, 942136, 942140, 942144, 942148, 942150, 942159, 942165, 942170,	98	91920	Screw-Machine, Fill. Hd. - 8-32 x 5/8"	108	220897	Valve-Choke Note: 22050 Valve-Choke (with hole) Used on <i>Model 60300</i> , <i>60400</i> Series type Nos. 0013, 0173, 0183, 0184, 0188, 0189, 0194, 0196, 0207, 0217, 0242, 942152, 942155, 942165, 942231, 942239, 942246, 942248, 942256, 942265, 942266, 942267, 942273; also
			99	† 26157	Spring-Throttle Adjustment			
			101	93043	Pin-Throttle Stop and Gov. Shaft			
			102	† 27917	Gasket-Carburetor Body			
			104	† 23114	Pin-Float Hinge			
			107	293515	Body Assembly- Carburetor			

† Included in Carburetor Overhaul Kit-
Part No. 291691.

REF. NO. 108 - 162

60300 To 60499
61300 To 61499

REF. NO.	PART NO.	DESCRIPTION	REF. NO.	PART NO.	DESCRIPTION	REF. NO.	PART NO.	DESCRIPTION
		used on <i>Model 61300, 61400</i> Series type Nos. 942646, 942647, 942650, 942656. Uses: 93038 Screw (For mounting) 22876 Valve-Choke (With holes) Used on <i>Model 60400</i> Series type Nos. 942144, 942148; also used on <i>Model 61400</i> Series type No. 942609. Uses: 93038 Screw (For mounting)			0217, 0242, 942265, 942266, 942267, 942273; also used on <i>Model 61300</i> Series type Nos. 942646, 942647, 942650, 942656.	121	291691	Carburetor Overhaul Kit
			110	220899	Washer-Choke Lever	127	220352	Plug-Welch
			111	26229	Spring-Choke Lever	128	21216	Venturi-Carburetor
				Note:	260396 Spring-Choke Return Used on <i>Model 60300</i> Series type Nos. 0173, 0183, 0184, 0194, 0196, 0207, 0217, 0242, 942231, 942256, 942265, 942266, 942267, 942273; also used on <i>Model 61300</i> Series type Nos. 942646, 942647, 942650, 942656.	132	61967	Stop-Throttle Lever
109	294874	Shaft and Lever Assy.-Choke					Note:	295804 Stop-Throttle Lever Used on <i>Model 60300</i> Series type Nos. 0173, 0183, 0184, 0194, 0196, 0207, 0217, 0242, 942231, 942256, 942265, 942266, 942267, 942273; also used on <i>Model 61300</i> Series type Nos. 942646, 942647, 942650, 942656.
		Note: 291061 Shaft and Lever Assy.-Choke				133	293477	Float-Carburetor
		Uses: 26228 Spring-Return Used on <i>Model 60300, 60400</i> Series type Nos. 0013, 0188, 0189, 0190, 942152, 942155, 942165, 942239, 942246, 942248. 294489 Shaft, Lever and Vane Assembly-Automatic Choke Uses: 291040 Lever and Weight Assy. Includes: 90200 Screw (For mounting) Used on <i>Model 60400</i> Series type Nos. 942144, 942148; also used on <i>Model 61400</i> Series type No. 942609. 295574 Shaft-Choke Used on <i>Model 60300</i> Series type Nos. 0173, 0183, 0184, 0194, 0196, 0207,	112	23270	Screw-Choke Lever	134	† 293478	Valve and Seat-Fuel Inlet
			113	† 23222	Nozzle-Carburetor	135	68877	Gasket-Fuel Inlet Valve Seat
			114	† 68887	Packing-Needle Valve	157	68897	Gasket-Venturi
			117	† 23227	Nut-Needle Valve Packing	158	27590	Filter-Carburetor Drain
			118	230005	Valve-Needle Note: 292088 Valve-Needle Used on <i>Model 60300, 60400</i> Series type Nos. 0182, 0200, 0208, 0214, 0229, 942074, 942095, 942096, 942117, 942151, 942170, 942174; also used on <i>Model 61300, 61400</i> Series type Nos. 0150, 0152, 0156, 942557, 942564, 942573, 942593, 942630, 942635, 942636.	159	220521	Retainer-Carburetor Drain Filter
						160	294868	Cleaner Assembly-Air (with mounting stud) Note: 393766 Cleaner Assy.-Air (without mounting stud) Used on type No. 942535. Uses: 230238 Stud 92067 Nut-Wing 296098 Cleaner-Air Used on type No. 942170.
			119	93347	Screw-Throttle Housing and Fuel Pump Head Mounting Sem	161	293991	Bowl-Air Cleaner
			120	92290	Washer-Lock-No. 10 x 1/16 x 3/64"	162	294863	Cover and Filter-Air Cleaner (with mounting stud) Note: 292037 Cover and Filter-Air Cleaner (without mounting stud) Used on type No. 942535.

† Included in Carburetor Overhaul Kit-Part No. 291691.

60300 To 60499
61300 To 61499

REF. NO. 163 - 187A

REF. NO.	PART NO.	DESCRIPTION	REF. NO.	PART NO.	DESCRIPTION	REF. NO.	PART NO.	DESCRIPTION
163	27660	Gasket—Air Cleaner Mounting	176	27603	Gasket—Air Cleaner Elbow			Note: 67218 Connector—Fuel Pipe
	Note: 27603	Gasket—Air Cleaner Mounting	180	292944	Tank Assembly—Fuel (2 Qt.)			Used on <i>Model 60300</i> Series type Nos. 0194, 942256.
164	210534	Elbow—Air Cleaner		Note:	Fuel Tank used on <i>Model 60300, 60400</i> Series type Nos. 942062, 942162, 942170, 942217; also used on <i>Model 61300, 61400</i> Series type Nos. 942559, 942591, 942602, 942608 is supplied by equipment manufacturer.			230318 Connector—Fuel Pipe
165	92067	Nut—Wing		292945	Tank Assembly—Fuel (3 Qt.)			Used on <i>Model 60300, 60400</i> Series type Nos. 0169, 0195, 0231, 942038, 942144, 942150, 942255, 942260; also used on <i>Model 61400</i> Series type Nos. 942609, 942642.
166	230238	Stud—Air Cleaner				187	296004	Pipe—Fuel (Flexible)
	Note: 63949	Stud—Air Cleaner				187A	391498	Pipe—Fuel (Metal)
		Used on <i>Model 60300</i> Series type Nos. 0173, 0183, 0184, 0194, 0196, 0207, 0217, 0242, 942256, 942265, 942266, 942267, 942273; also used on <i>Model 61300</i> Series type No. 942656.					Note: 99738	Pipe—Fuel
		230519 Stud—Air Cleaner						Used on <i>Model 60300</i> Series type Nos. 0214, 0229, 942108, 942114, 942178.
		Used on <i>Model 61300</i> Series type No. 942526.						391409 Pipe—Fuel
		230361 Stud—Air Cleaner						Used on <i>Model 60300, 60400</i> Series type Nos. 0204, 0230, 942045, 942046, 942087, 942102, 942121, 942161, 942196; also used on <i>Model 61300, 61400</i> Series type Nos. 0162, 0170, 942549, 942561, 942563, 942568, 942571, 942578, 942579, 942659.
		230408 Spacer—Air Cleaner						The following parts:
		Used on <i>Model 60400</i> Series type Nos. 942165, 942170; also used on <i>Model 61300</i> Series type No. 942551.						294530 Pipe—Fuel (Short)
169	90832	Washer—Lock—1/4 x 3/32 x 5/64"						294531 Pipe—Fuel (Long)
	Note: 92778	Washer—Lock (Shakeproof)						292486 Wing Plug, Chain and Clip Assy.
		Used to mount tank to bracket on <i>Model 60300, 60400</i> Series type Nos. 942152, 942155, 942170, 942193.	181	69221	Cap—Fuel Tank			99511 Tee (Imperial Brass Co. No. 72-F)
172	27795	Gasket—Air Cleaner	182	220195	Bracket—Fuel Tank			92713 Coupling
173	99395	Arrestor—Flame	186	66111	Connector—Fuel Pipe (Imperial Brass Co. No. 69-F)			are used on <i>Model 60300, 60400</i> Series type Nos. 0182,
174	27423	Gasket—Flame Arrestor Mounting						
175	23215	Spacer—Flame Arrestor						

REF. NO. 187A - 222

60300 To 60499
61300 To 61499

REF. NO.	PART NO.	DESCRIPTION	REF. NO.	PART NO.	DESCRIPTION	REF. NO.	PART NO.	DESCRIPTION
		0200, 0208, 942074, 942095, 942096, 942117, 942151, 942174; also used on <i>Model 61300,</i> <i>61400</i> Series type Nos. 0150, 0152, 0156, 942557, 942564, 942573, 942593, 942630, 942635, 942636. 294553 Pipe—Fuel Used on type No. 942148.			942569, 942570, 942584, 942609, 942617, 942637, 942642. 220755 Support—Fuel Tank Used on <i>Model 60300</i> Series type Nos. 0204, 942102, 942121, 942161, 942196; also used on <i>Model 61300</i> Series type Nos. 942549, 942561, 942563.	206	230149	Nut—Control Rod Note: 21772 Nut—Control Rod Used on type No. 942561.
189	90366	Washer—Lock— 5/16 x 1/8 x 1/16"	197	93083	Screw—Tank Mtg. Sem	207	26855	Spring—Control Rod
195	91635	Connector—Fuel Filter	198	293934	Valve—Fuel Shut-Off	208	230194	Rod—Control Note: 230323 Rod—Control Used on <i>Model 60400,</i> <i>61400</i> Series. 230367 Rod—Control (Automatic Choke) Used on <i>Model 60400</i> Series type Nos. 942144, 942148; also used on <i>Model 61400</i> Series type No. 942609.
196	220358	Support—Fuel Tank Note: 220369 Support—Fuel Tank Used on <i>Model 60300,</i> <i>60400</i> Series type Nos. 0154, 0195, 0226, 0230, 0241, 942038, 942067, 942070, 942085, 942118, 942141, 942220, 942236, 942251, 942255, 942257, 942261; also used on <i>Model 61300,</i> <i>61400</i> Series type Nos. 0163, 0174, 942531, 942551, 942560, 942632, 942638, 942654. 220607 Support—Fuel Tank Used on <i>Model 60300,</i> <i>60400</i> Series type Nos. 0025, 942032, 942034, 942037, 942043, 942094, 942122, 942144, 942150, 942202; also used on <i>Model 61300, 61400</i> Series type Nos. 0160, 0171, 0178, 942539, 942565,	199	292797	Outlet—Fuel Tank (Used with brass fitting—includes strainer) Note: 295896 Outlet—Fuel Tank (Used with plastic fitting—includes strainer)	209	26925	Spring—Governor Note: 260546 Spring— Mechanical Governor Used on <i>Model 60400,</i> <i>61400</i> Series. 260413 Spring—Gov. Used on <i>Model 60300</i> Series type Nos. 0173, 0183, 0184, 0194, 0196, 0207, 0217, 0242, 942231, 942256, 942264, 942266, 942267, 942273; also used on <i>Model 61300</i> Series type Nos. 942646, 942647, 942650, 942656.
			200	297309	Blade—Governor Used on <i>Model 60300,</i> <i>61300</i> Series on and after Serial No. 6212310. Note: 221456 Guide—Air Used on <i>Model 60400,</i> <i>61400</i> Series on and after Serial No. 6212310.	219	296688	Governor Housing and Gear Assembly
			200A	294617	Blade—Governor (Used on <i>Model 60300,</i> <i>61300</i> Series before Serial No. 6212310) Note: 220692 Guide—Air Used before Serial No. 6212310 on <i>Model</i> <i>60400, 61400</i> Series.	220	221361	Washer—Thrust (.030" thick) Note: 220673 Washer—Thrust (1/16" thick) Used on engines before Serial No. 6104010.
			201	26235	Link—Governor Note: 260076 Link—Governor Uses: 260178 Spring Used on <i>Model 60400,</i> <i>61400</i> Series.	221	230177	Cup—Governor
			204	23688	Bushing—Gov. Lever	222	220691	Bracket—Mechanical Governor Note: 294476 Bracket and Baffle—Mechanical Governor

60300 To 60499
61300 To 61499

REF. NO. 222 - 300

REF. NO.	PART NO.	DESCRIPTION	REF. NO.	PART NO.	DESCRIPTION	REF. NO.	PART NO.	DESCRIPTION
		Used on <i>Model 60400</i> Series type Nos. 0061, 942043, 942055, 942070, 942097, 942119, 942144, 942148, 942150, 942181, 942184; also used on <i>Model 61400</i> Series type Nos. 0168, 0171, 0178, 942570, 942642, 942643, 942644.			942150, 942225, 942256, 942260, 942264; also used on <i>Model 61400</i> Series type Nos. 942609, 942642.	285	26687	Link—Choke
223	220690	Lever—Mechanical Governor	244A	92427	Connector—Metal Fuel Pipe	286	294491	Thermostat Assembly
224	93067	Screw—Governor Lever Mounting Sem	245	68477	Gasket—Fuel Filter Bowl	287	90050	Screw—Machine, Rd. Hd.—6-32 x 1/4"
225	230181	Shaft—Governor Lever	246	298683	Bowl—Fuel Filter	288	93141	Washer—Lock—No. 6 x 3/64 x 1/32"
226	220381	Follower—Gov. Crank	247	99665	Yoke—Fuel Filter	289	23886	Support—Thermostat Shaft (Outer)
227	294077	Lever Assy.—Gov.	258	93686	Screw—Sem	290	294492	Bracket and Tube—Thermostat
228	93100	Screw—Governor Lever Mounting	259	294502	Bracket—Control Wire Casing	291	26594	Thermostat
229	220680	Washer—Thrust	260	295756	Housing—Speed Control	292	23885	Support—Thermostat Shaft (Inner)
230	22826	Washer—Spacer	261	93105	Screw—Speed Control Housing Mounting Sem	293	23884	Stop—Thermostat Shaft
231	93064	Screw—Gov. Housing to Crankcase Cover Mounting Sem	262	93394	Screw—Speed Control Housing Mounting Sem	294	92678	Screw—Set, Socket Head—6-32 x 5/16"
232	260178	Spring—Governor Link	264	90355	Nut—Hex.—10-32	295	230365	Shaft—Thermostat
233	230253	Stop—Control Rod	265	22372	Clamp—Casing	296	291044	Lever Assembly—Thermostat
234	220730	Clip—Control Rod	266	290062	Control—Throttle	297	91811	Locknut—Exhaust Elbow
240	89346	Filter Assembly—Fuel		Note:	290463 Control—Throttle	298	220859	Locknut—Muffler and Exhaust Elbow
241	89347	Cover Assembly—Fuel Filter			Used on type Nos. 942075, 942187.	299	392811	Muffler—Exhaust
242	295913	Lever—Fuel Shut-Off	267	90080	Screw—Machine, Rd. Hd.—10-32 x 7/16"	300	89966	Muffler—Exhaust
243	22547	Screen—Fuel Filter	268	66986	Casing—Control Wire—48" Long		Note:	89945 Muffler—Exhaust
244	230318	Connector—Flexible Fuel Pipe		Note:	If a longer casing is needed, specify length in inches; if a shorter casing is needed order No. 66986 and cut to required length.			Used on <i>Model 60300</i> Series type Nos. 942111, 942201, 942239.
		Note: 67218 Connector—Flexible Fuel Pipe Elbow (At Carburetor) Used on type No. 0194.	269	26099	Wire—Control—54" Long			292054 Muffler—Exhaust
		230317 Connector—Fuel Pipe (brass fitting or No. 230318 plastic fitting) Used on <i>Model 60300</i> , 60400 Series type Nos. 0169, 0195, 0231, 942038, 942144,		Note:	If longer wire is needed, specify length by inches; if shorter wire is needed order No. 26099 and cut to required length.			Used on <i>Model 60300</i> , 60400 Series type Nos. 942025, 942026, 942084, 942105, 942169, 942176, 942180, 942228, 942244, 942260; also used on <i>Model 61300</i> , 61400 Series type Nos. 942537, 942558, 942618.
			270	63426	Locknut—Control Wire Casing			295905 Muffler—Exhaust
			271	290568	Lever Assy.—Control			Used on <i>Model 60300</i> Series type Nos. 0191, 0218, 0235, 942032, 942191, 942258, 942264, 942269.
			281	221090	Bracket—Top Speed Control Mounting			

REF. NO. 303 - 331

60300 To 60499
61300 To 61499

REF. NO.	PART NO.	DESCRIPTION	REF. NO.	PART NO.	DESCRIPTION	REF. NO.	PART NO.	DESCRIPTION
303	91810	Elbow—Exhaust (45° Street)			60401, 60431, 61301, 61311, 61331, 61351, 61401, 61431 Series.			Nos. 0150, 0152, 0156, 942535, 942557, 942559, 942562, 942564, 942573, 942593, 942630, 942635, 942636.
	Note:	91812 Elbow—Exhaust (90° Street) Used on <i>Model 60300,</i> <i>60400</i> Series type Nos. 0016, 0153, 0161, 0180, 0195, 0232, 0245, 0249, 942049, 942062, 942091, 942109, 942114, 942143, 942147, 942149, 942161, 942162, 942168, 942172, 942175, 942206, 942231, 942250, 942255, 942268, 942274; also used on <i>Model 61300, 61400</i> Series type Nos. 942529, 942535, 942559, 942562, 942603, 942647.			295190 Blower Housing and Brackets Assembly (for Electric Starter) Used on <i>Model 60303,</i> <i>61303, 61353</i> Series. 295816 Housing— Blower (for Rewind Starter) Used on <i>Model 60300</i> Series type Nos. 942176, 942225. 296792 Housing— Blower (for Wind-up Starter) Used on <i>Model 60306,</i> <i>60406, 61306, 61406</i> Series.	312	260404	Spring—Brush
						321	210711	Pulley—Starter Note: When ordering this pulley, order No. 67228 Vee Belt also.
						323	67228	Belt—Vee Note: 67038 Belt—Vee Used on engines before Serial No. 5905040.
						324	220648	Screen—Electric Starter Pulley
						325	293959	Pulley with Screen— Rope Starter (1/2" Hole in Pulley) Note: For Pulley with Screen with 5/8" Hole in Pulley—order No. 298731, 220547 Pulley—Rope Starter (1/2" Hole) Used on <i>Model 60300</i> Series type Nos. 0013, 0014, 942155. 221146 Pulley—Rope Starter (5/8" Hole) Used on <i>Model 60300</i> Series type No. 0211.
			305	93158	Screw—Blower Housing Mounting Note: 93158 Screw—Cap 92778 Washer—Lock Used on <i>Model 60300</i> Series type Nos. 0225, 0226, 0227, 942152, 942155, 942170, 942193, 942215, 942217, 942248.			
			306	220478	Shield—Cylinder			
			307	93042	Screw—Cylinder Shield Mounting Sem			
			308	220581	Cover—Cylinder Head Note: When ordering Cover— Cyl. Head for type Nos. listed below, order No. 220884 Stop Switch and No. 220581 Cover together. Used on <i>Model 60300,</i> <i>60400</i> Series type Nos. 0182, 0200, 0208, 942074, 942095, 942096, 942117, 942145, 942151, 942162, 942174; also used on <i>Model 61300,</i> <i>61400</i> Series type			
304		Note: For type Numbers not listed below, see Ref. No. 608. 220870 Housing— Blower (for Rope Starter) Used on <i>Model 60300,</i> <i>60400</i> Series type Nos. 0061, 942043, 942055, 942070, 942097, 942119, 942144, 942148, 942150, 942181, 942184, 942215; also used on <i>Model 61300, 61400</i> Series type Nos. 0168, 0171, 0178, 942570, 942608, 942609, 942642, 942643, 942644. 294263 Housing— Blower (for Rope Starter) Used on <i>Model 60301,</i> <i>60311, 60331, 60351,</i>						
						328	221038	Guard—Belt
						329	93705	Screw—Belt Guard Mounting Sem
						330	294584	Rope—Starter Note: 69932 Rope—Starter Used on <i>Model 60300</i> Series type Nos. 0175, 942207.
						331	62577	Washer—Flywheel (1/2" Hole) Note: For Washer with 5/8" Hole—order No. 220865.

60300 To 60499
61300 To 61499

REF. NO. 332 - 347

REF. NO.	PART NO.	DESCRIPTION	REF. NO.	PART NO.	DESCRIPTION	REF. NO.	PART NO.	DESCRIPTION
332	91708	Nut—Flywheel (1/2-20 Left Hand Thread) Note: For Flywheel Nut with 5/8-18 Right Hand Thread order No. 92284.	334	93381	Screw—Armature Mounting Sem			942608, 942609, 942622, 942628, 942638, 942642.
333	298502	Armature—Magneto (Used on and after Serial No. 6212310) Note: 298274 Armature—Magneto Used on <i>Model 60300</i> Series type Nos. 0013, 0014, 0188, 0189, 0190, 0225, 0226, 0227, 0249, 942274.	335	93381	Screw—Coil Lead Mounting Sem Also used on <i>Model 60300, 60400</i> Series type Nos. 942152, 942155, 942170, 942193, 942215, 942217, 942248, 942253.	337	298809	Plug—Spark (with gasket) (1-1/2" High—37-42 M. M.) Note: Spark Plugs use Ignition Cable Terminal No. 221798. 29693 Plug—Spark (with gasket) (2" High—51 M. M.) 291954 Plug—Spark (with gasket) Used on <i>Model 60300, 60400</i> Series type Nos. 0225, 0226, 0227, 942152, 942155, 942170, 942193, 942215, 942217, 942248. 293918 Plug—Spark (with gasket) (1-1/2" High) (Resistor Type) Used on <i>Model 60300, 60400</i> Series type Nos. 0162, 0163, 0168, 0212, 942035, 942071, 942135, 942136, 942148, 942154, 942220, 942230; also used on <i>Model 61300, 61400</i> Series type Nos. 942547, 942645.
333A	291617	Armature—Magneto Used on all engines, except those under note, before serial No. 6212310. Also used on all type No. 942246 engines. Note: 295680 Armature—Magneto Uses: 66298 Bushing—Spark Plug Terminal 92704 Terminal—Spark Plug 295179 Shielding—Cable Used on <i>Model 60300, 60400</i> Series type Nos. 942152, 942155, 942170, 942193, 942215, 942217, 942248, 942253. 295915 Armature—Magneto (Double Ignition) Used on all <i>Model 60300</i> Series type Nos. 942062, 942109, 942138, 942162; also used on <i>Model 61300</i> Series type Nos. 942559, 942562, 942602.	336	292149	Cable—Ignition (Standard—Used before Serial No. 6212310—Cables used after this serial number are integral with the ignition coil.) Also used on all type No. 942246 engines. Note: 293141 Cable—Ignition Used on <i>Model 60300, 60400</i> Series type Nos. 942152, 942155, 942170, 942193 before Serial No. 6004210. 294321 Cable—Ignition Used on type Nos. 942049, 942143. 294519 Cable—Ignition Used on type No. 942203. 294577 Cable—Ignition Used before Serial No. 6210011 on <i>Model 60300, 60400</i> Series type Nos. 942038, 942043, 942055, 942067, 942070, 942088, 942099, 942100, 942110, 942119, 942126, 942140, 942144, 942146, 942150, 942159, 942178, 942181, 942242; also used on <i>Model 61300, 61400</i> Series type Nos. 942526, 942544, 942567, 942570, 942581, 942591,	340	26018	Spring—Breaker Arm
						341	93381	Screw—Breaker Arm Mounting Sem
						342	65704	Plunger—Breaker Point
						344	93042	Screw—Condenser Clamp Mounting Sem
						345	220366	Cover—Breaker Point and Condenser
						346	93705	Screw—Sem
						347	220884	Switch—Stop (For 1-1/2" High—37-42 M. M. Spark Plug)

REF. NO. 347 - 521

60300 To 60499
61300 To 61499

REF. NO.	PART NO.	DESCRIPTION	REF. NO.	PART NO.	DESCRIPTION	REF. NO.	PART NO.	DESCRIPTION
	Note:	221808 Switch—Stop (For 2" High—51 M. M. Spark Plug)	374	92813	Washer—Lock— Shakeproof No. 1210-06.	394	290622	Diaphragm—Fuel Pump
		293739 Switch—Stop Used on <i>Model 60300</i> Series type No. 0201.	375	294628	Breaker Points and Condenser Set	395	290623	Valve—Fuel Pump
348	67118	Block—Stop Switch		Note:	299061 Ignition Kit	396	66204	Gasket—Fuel Pump Valve
349	221077	Blade—Switch		Includes:	294628 Point Set	397	21694	Head—Fuel Pump
350	221078	Clamp—Switch Blade			65704 Plunger	398	210533	Spacer—Fuel Pump Mtg.
351	93218	Screw—Stop Switch			61760 Key—Flywheel	399	27699	Gasket—Spacer
352	66068	Washer—Insulating	378	‡22032	Washer—Needle Valve Packing	400	230010	Wrench—Socket Screw
353	92791	Washer—Lock— Shakeproof	379	22984	Cover—Fuel Pump Hole	401	21927	Spacer—Carb. Elbow
354	90576	Nut—Hex. —8-32	380	62199	Washer—Plain		Note:	Used only on engines Equipped with auto- matic choke.
356	296185	Wire—Ground	381	91419	Screw—Cap, Hex. Hd. —1/4-20 x 5/8"	455	296455	Cup, Hub and Spring Assembly
	Note:	391115 Wire—Ground Used on <i>Model 60300</i> Series type Nos. 0173, 0183, 0184, 0194, 0196, 0207, 0217, 0242, 0248, 942231, 942266, 942267, 942273; also used on <i>Model 61300</i> Series type Nos. 942650, 942656.	382	93158	Screw—Sem	456	221222	Plate—Retainer
357	91539	Key—3/16" Square		Note:	92636 Screw—Cap, Hex. Hd. —1/4-20 x 2"	458	296305	Handle Assembly. — Cranking
358	297275	Gasket Set			230352 Spacer Used on <i>Model 60300</i> , <i>60400</i> Series type Nos. 0025, 942032, 942034, 942037, 942043, 942094, 942122, 942144, 942150, 942202; also used on <i>Model 61300</i> , <i>61400</i> Series type Nos. 0160, 0171, 0178, 942539, 942565, 942569, 942570, 942584, 942609, 942617, 942632, 942637, 942642.	459	221332	Pawl—Ratchet
362	291630	Shield—Spark Plug (with stop switch)	384	62899	Washer—Thermostat	460	93272	Retainer—Ratchet Pawl
	Note:	66538 Elbow—Spark Plug Used on <i>Model 60300</i> Series type No. 0201.	385	93110	Screw—Fuel Pump Hole Cover and Spacer Mtg.	461	93231	Screw—Handle Mtg.
		89742 Shield—Spark Plug Used on <i>Model 60300</i> , <i>60400</i> Series type Nos. 0233, 942088, 942146.	386	27314	Gasket—Cover and Fuel Pump Mounting	462	221237	Washer—Handle Mtg.
363	19069	Puller—Flywheel (Optional Accessory)	387	290465	Pump Assy. —Fuel	463	296445	Holder Assy. — Flywheel
367	91183	Screw—Cap, Hex. Hd. —1/4-28 x 5/8"	388	22735	Lever—Fuel Pump	464	93291	Rivet—Holder Assy. Mounting
369	220705	Spring—Control Friction	389	23783	Pin—Fuel Pump Lever	465	221226	Washer—Holder Assy. Mounting
370	66432	Washer—Plain	390	26587	Spring—Fuel Pump Lever	466	93272	Retainer—Holder Control Knob
371	260275	Restrictor—Belt	391	21695	Body—Fuel Pump	467	211017	Knob—Control
372	220477	Clamp—Condenser	392	26588	Spring—Fuel Pump Diaphragm	506	90200	Screw—Machine Fil. Hd. —8-32 x 1/2"
373	92987	Nut—Condenser Term.	393	22740	Screen—Fuel Pump Filter	507	66895	Insulator—Terminal
							Note:	66935 Insulator—Term. Used on <i>Model 60300</i> , <i>60400</i> Series type Nos. 942152, 942170, 942215, 942217, 942248.
						508	93294	Screw—Blower Housing Mounting Sem
						513	296567	Clutch Assembly— Electric Starter
						515	260537	Spring—Ratchet Pawl
						516	260374	Spring—Connector
						521	297973	Shielding—Ignition Cable Used after Serial No. 6209290 on cables integral with ignition

‡ Included in Gasket Set—
Part No. 297275.

60300 To 60497
61300 To 61497

REF. NO. 521 - 851

REF. NO.	PART NO.	DESCRIPTION	REF. NO.	PART NO.	DESCRIPTION	REF. NO.	PART NO.	DESCRIPTION
		coil; also used on type Nos. 942253, 942261.			92067 Nut-Wing Used on <i>Model 60300</i> Series type Nos. 0173, 0183, 0184, 0194, 0196, 942256, 942265, 942266, 942267, 942273; also used on <i>Model 61300</i> Series type No. 942656.	603	393706	Cleaner Assembly-Air (with mounting stud) (Used with vented breather)
		298445 Shielding-Ignition Cable				604	294864	Cover and Filter-Air Cleaner (with mounting stud) (Used with vented breather)
		92704 Terminal-Spark Plug				608	294259	Starter Assy. -Rewind
		66298 Insulator-Terminal					Note:	294337 Starter Assy. -Rewind
		Used on type Nos. 0225, 0226, 0227.	535	27987	Element-Air Cleaner			Used on <i>Model 60300, 60400</i> Series type Nos. 0217, 0242, 942156, 942158, 942258; also used on <i>Model 61300, 61400</i> Series type Nos. 942526, 942527.
523	69345	Cap-Oil Filler	536	296766	Cleaner Assy. -Air	643	221321	Cup-Air Cleaner
524	65304	Gasket-Oil Filler Cap	537	27994	Gasket-Air Cleaner	822	296732	Starter Assy. -Wind-Up
525	91258	Nipple-Oil Filler		Note:	27666 Gasket-Air Cleaner	851	221798	Terminal-Ignition Cable
527	220754	Clamp-Breather Tube			Used on engines with vented breather and No. 296766 Air Cleaner (Ref. No. 536)			
528	230346	Tube-Breather	600	270003	Spacer-Air Cleaner			
529	66578	Grommet-Breather Tube	601	93053	Clip-Breather Tube (2)			
530	296304	Housing Assy. -Pawl	601A	93807	Clip-Breather Tube			
531	230615	Ratchet-Top Starter	602	27666	Gasket-Air Cleaner (Used with vented breather)			
532	260500	Washer-Spring						
533	67478	Knob-Stop						
534	93323	Screw-Air Cleaner						
	Note:	63949 Stud-Air Cleaner						

