



FORM MS-3322 09/20/2005
REPLACES FORM MS-3322 03/02/2005
FILE IN SECT. 2 OF SERVICE MANUAL

543200

Illustrated Parts List

Model Series

543200

TYPE NUMBERS
0078 Through 0112.

TABLE OF CONTENTS

Air Cleaner	7
Alternator	11
Blower-Housing	10
Camshaft	2
Carburetor	6
Controls	9
Crankcase Cover	4
Crankshaft	2
Cylinder	2
Cylinder Head	3
Electric Starter	11
Exhaust System	8
Flywheel	10
Fuel Supply	6
Governor Springs	9
Intake Manifold	4
Kit/Gasket Valve Set	5
Kit/Gasket Engine Set	5
Piston Group	2
Valves	3



PRINTED IN U.S.A.

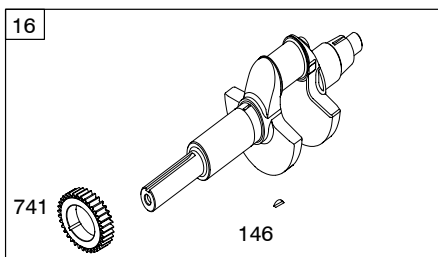
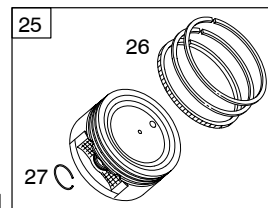
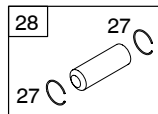
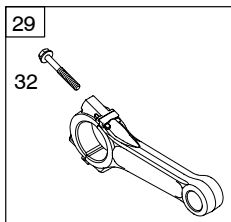
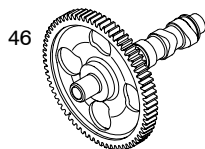
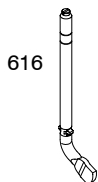
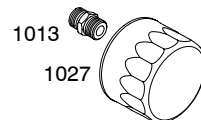
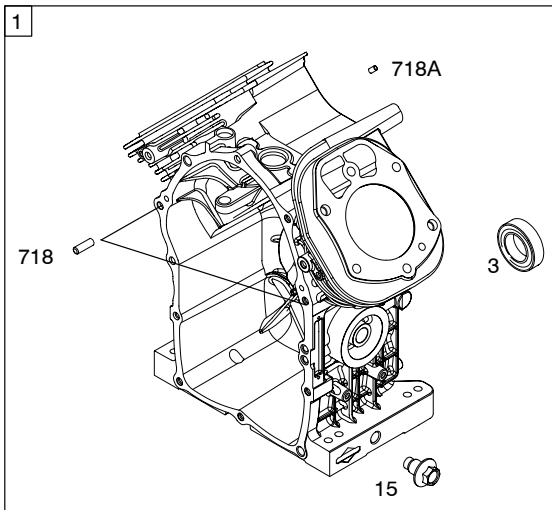
COPYRIGHT by BRIGGS & STRATTON CORPORATION
All rights reserved. No part of this material may be reproduced or transmitted, in any form or by any means, electronic or mechanical, including photocopying, recording or by any information storage and retrieval system, without permission in writing from Briggs & Stratton Corporation.

543200

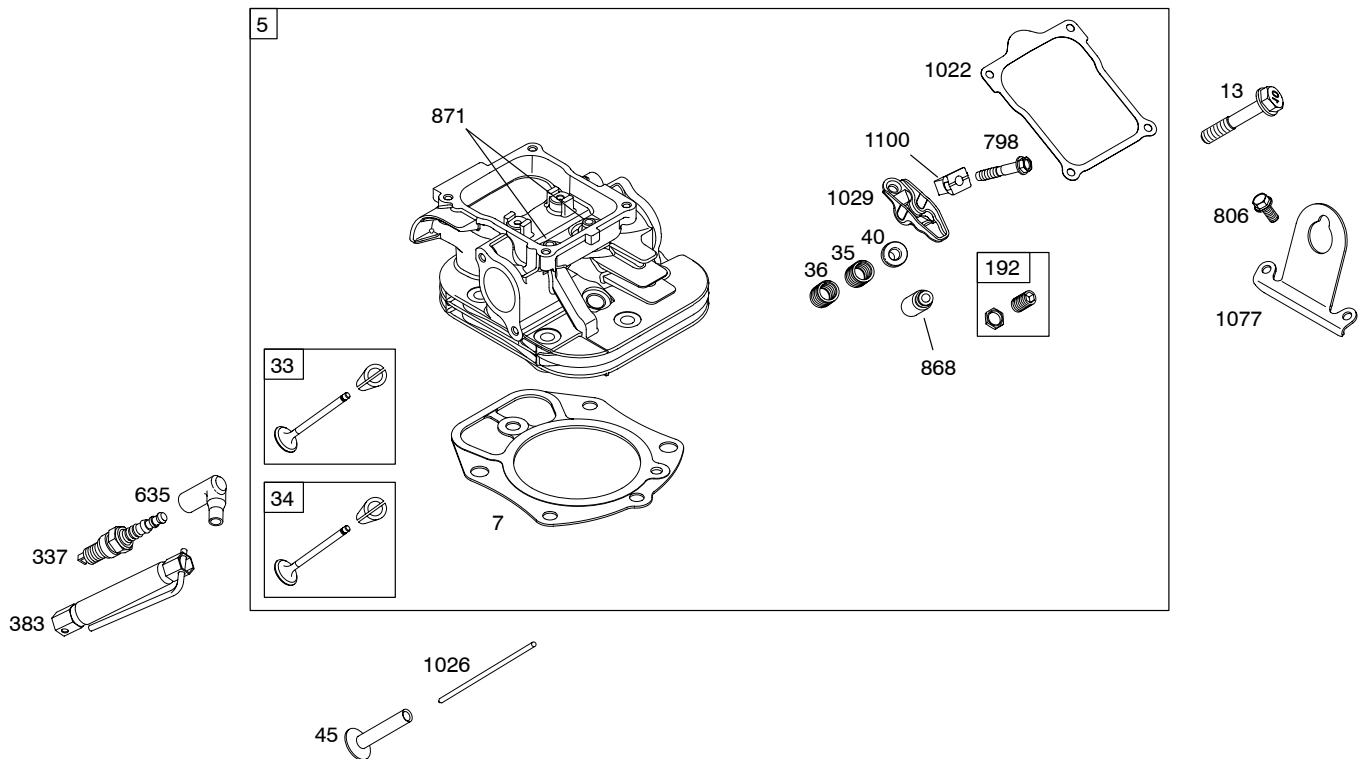
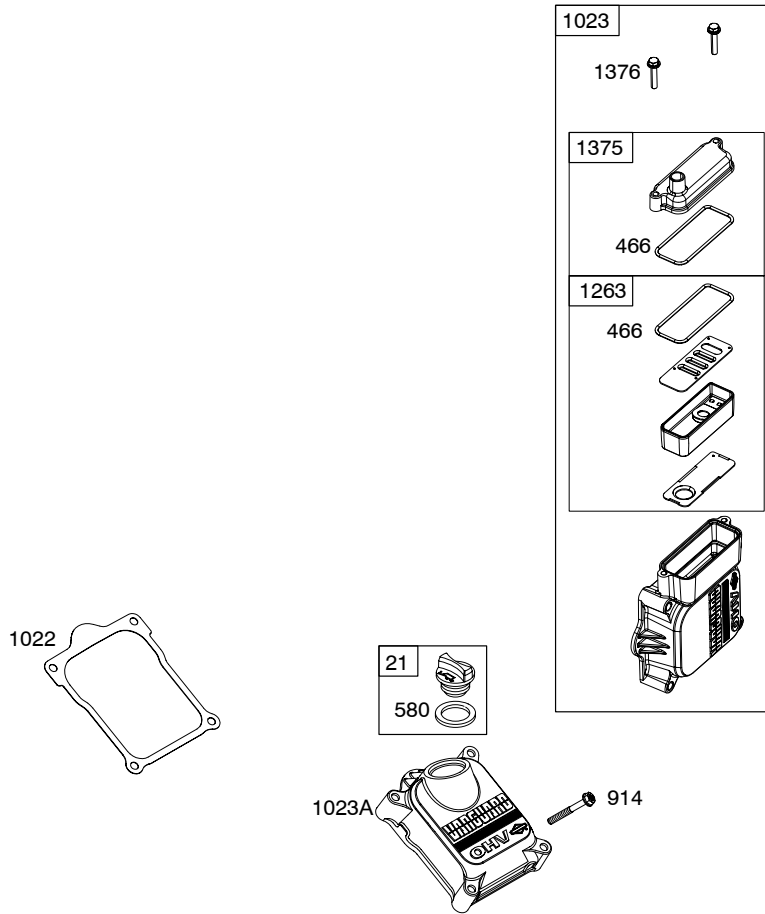
1058 OPERATOR'S MANUAL

1019 LABEL KIT

1036 LABEL EMISSIONS

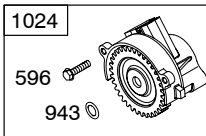
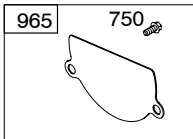
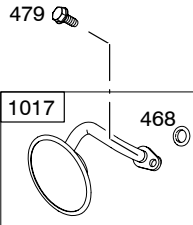
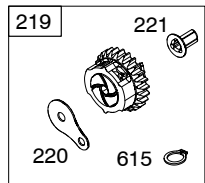
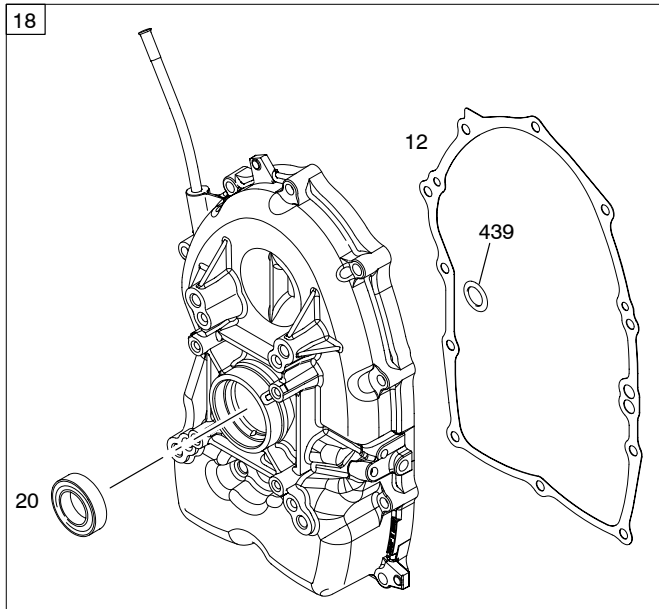
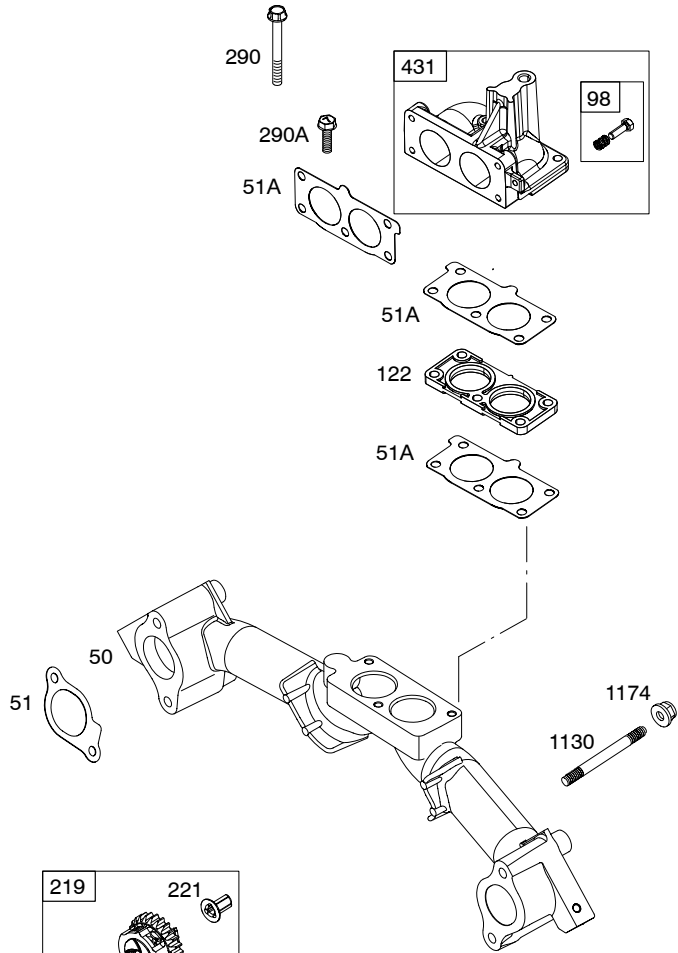


Illustrations cover a range of engines. Parts shown without corresponding text may not be used on your specific engine.
3322-2 Assemblies include all parts shown in frames. 09/20/2005

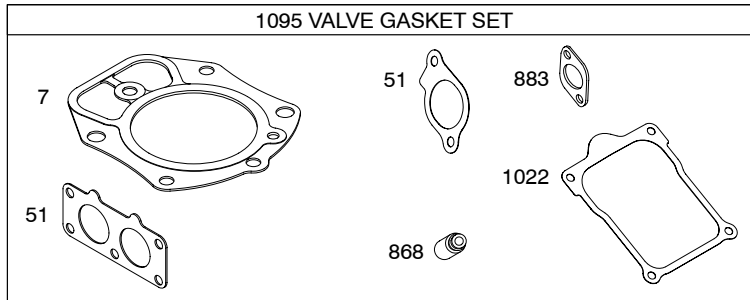
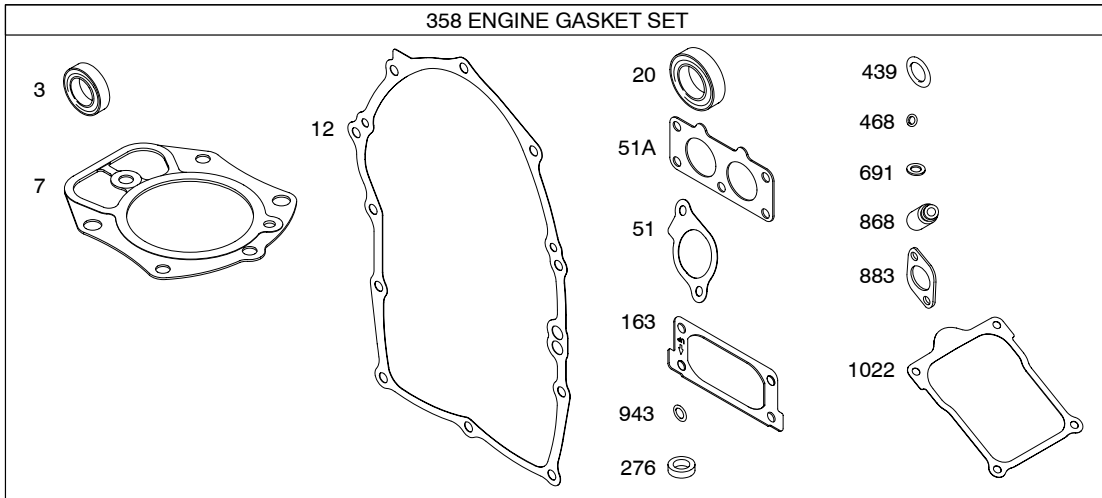


Illustrations cover a range of engines. Parts shown without corresponding text may not be used on your specific engine.
 3322-3 Assemblies include all parts shown in frames. 09/20/2005

543200

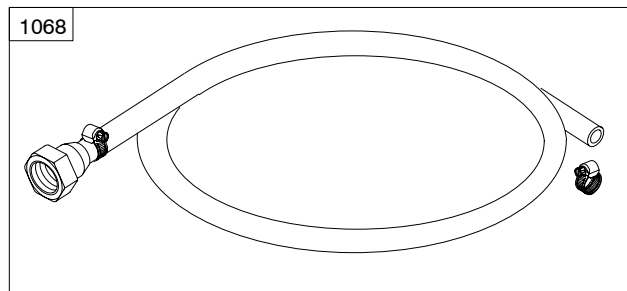
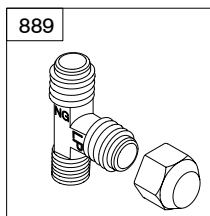
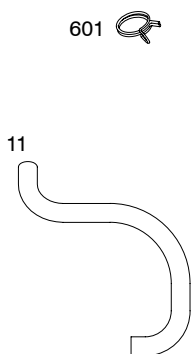
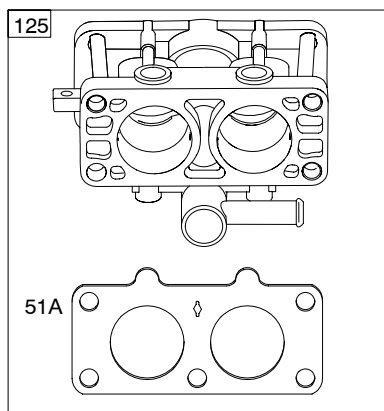


Illustrations cover a range of engines. Parts shown without corresponding text may not be used on your specific engine.
3322-4 Assemblies include all parts shown in frames. **09/20/2005**

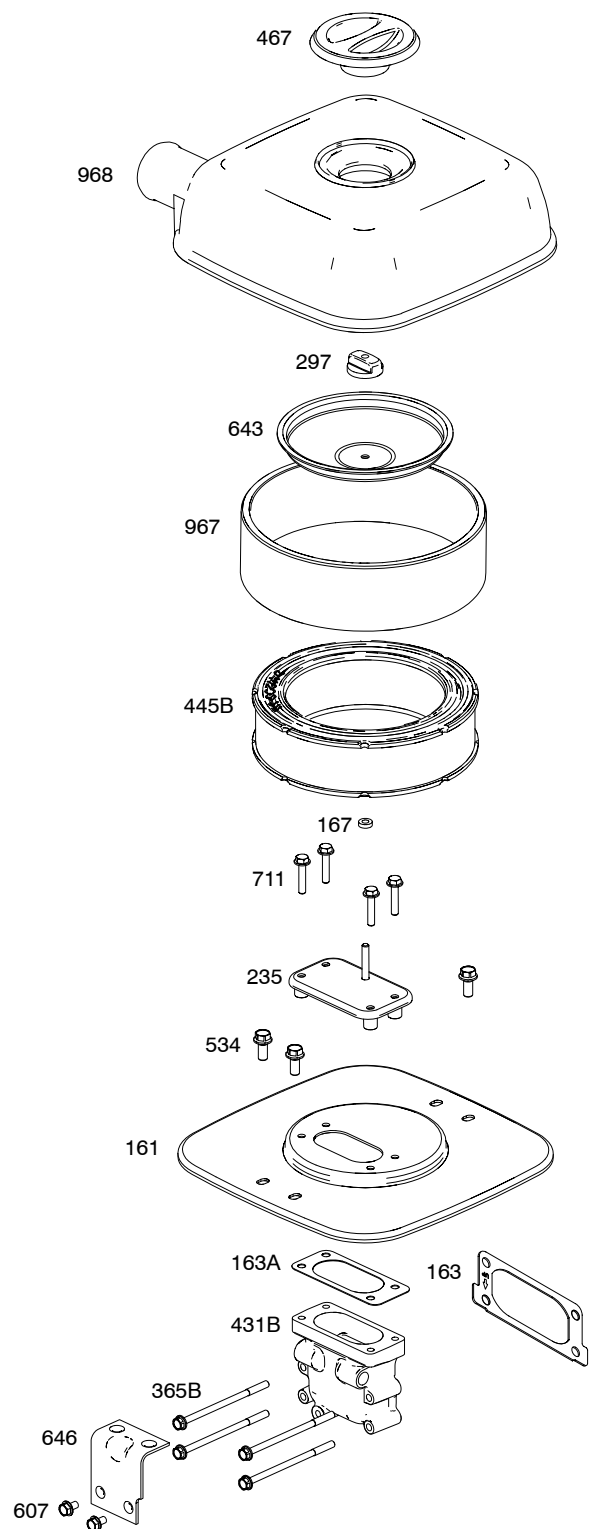


Illustrations cover a range of engines. Parts shown without corresponding text may not be used on your specific engine.
3322-5 Assemblies include all parts shown in frames. **09/20/2005**

543200

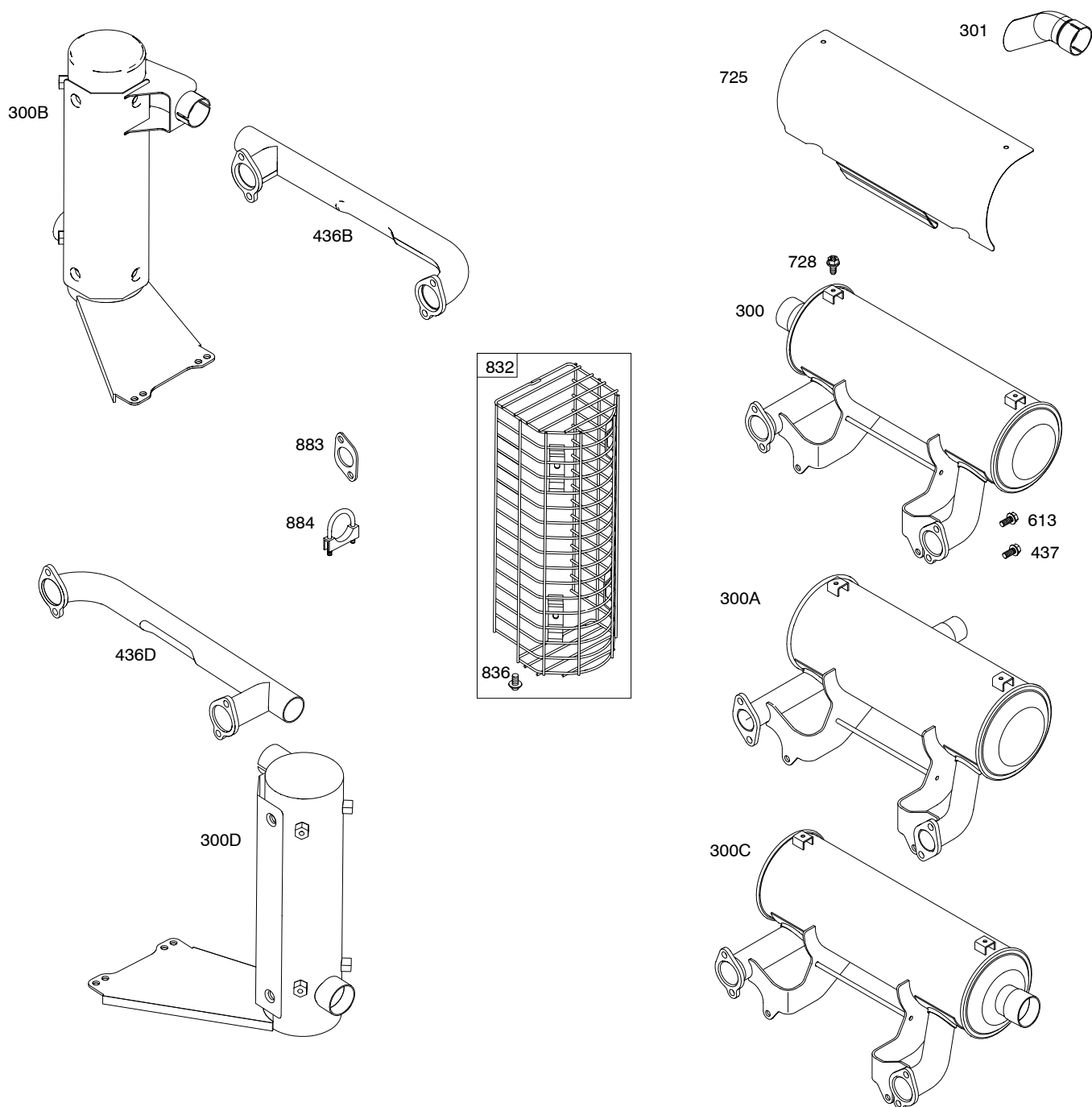


Illustrations cover a range of engines. Parts shown without corresponding text may not be used on your specific engine.
3322-6 Assemblies include all parts shown in frames. 09/20/2005

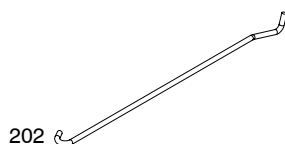
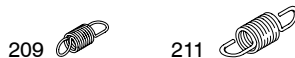
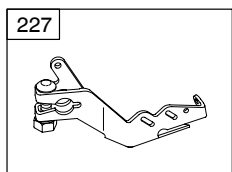
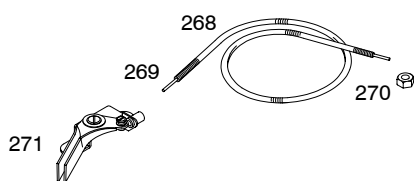
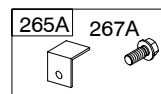
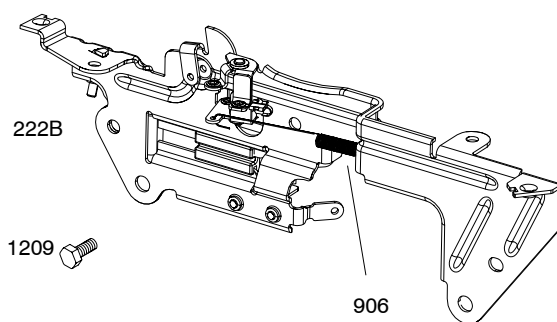


Illustrations cover a range of engines. Parts shown without corresponding text may not be used on your specific engine.
3322-7 Assemblies include all parts shown in frames. 09/20/2005

543200

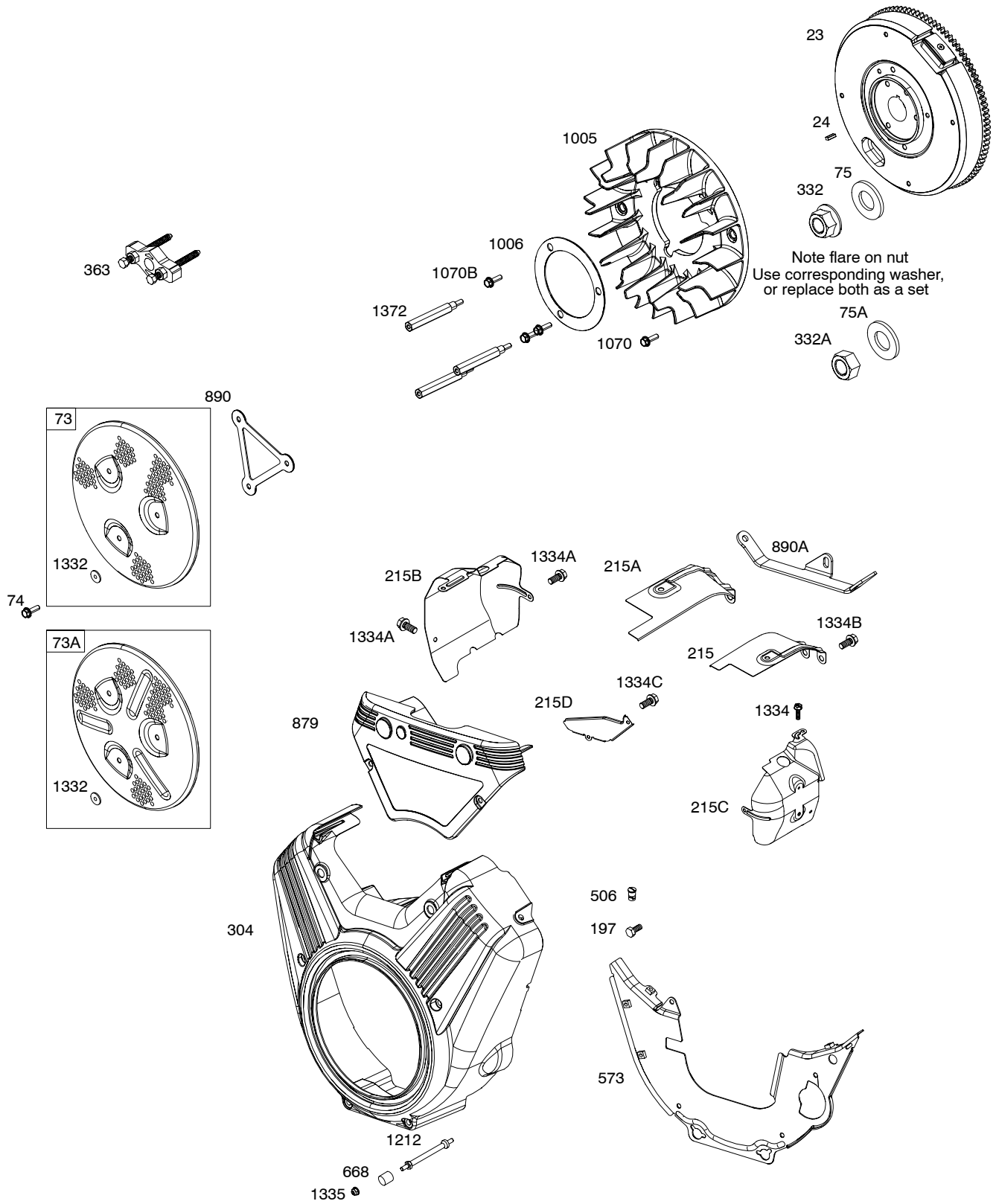


Illustrations cover a range of engines. Parts shown without corresponding text may not be used on your specific engine.
3322-8 Assemblies include all parts shown in frames. 09/20/2005




Illustrations cover a range of engines. Parts shown without corresponding text may not be used on your specific engine.
3322-9 Assemblies include all parts shown in frames. 09/20/2005




543200



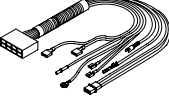
Illustrations cover a range of engines. Parts shown without corresponding text may not be used on your specific engine.
3322-10 Assemblies include all parts shown in frames. 09/20/2005

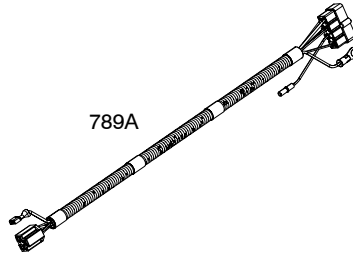
NOTE: All stators use a No. 1119 mounting screw. 

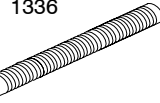
NOTE: The proper flywheel part number and/or the alternator magnet size will determine the alternator type or output. See repair instruction manual for additional information.


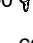
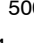

20 AMP
474E
877D 
526B 
501B 

1054 

789 

789A 

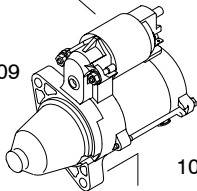
1336 

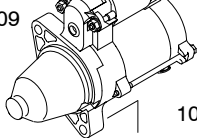
892 
990 
500 
664 


344 


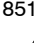
587 

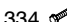
527 

920 

309 

1009 

333 
851 

334 

Illustrations cover a range of engines. Parts shown without corresponding text may not be used on your specific engine.

3322-11 Assemblies include all parts shown in frames. 09/20/2005

543200

REF. NO.	PART NO.	DESCRIPTION	REF. NO.	PART NO.	DESCRIPTION	REF. NO.	PART NO.	DESCRIPTION
1	809971	Cylinder Assembly	50	841591	Manifold-Intake	222B	841528	Bracket-Control
3	★841596	Seal-Oil (Magneto Side)	51	★Δ841592	Gasket-Intake			Used on Type No(s). 0078, 0111.
5	842180	Head-Cylinder (Cylinder 1)	51A	★Δ809910	Gasket-Intake	227	809984	Lever-Governor Control
		----- Note -----	73	841840	Screen-Rotating	232	690545	Spring-Governor Link
		842181 Head-Cylinder (Cylinder 2)	73A	809945	Screen-Rotating	235	841848	Shield-Fuel Spray
7	★Δ809730	Gasket-Cylinder Head	74	809947	Screw (Rotating Screen)	239	841281	Switch-Oil Pressure
11	809736	Tube-Breather	75	691056	Washer (Flywheel)	265	691024	Clamp-Casing
12	★809727	Gasket-Crankcase	75A	842548	Washer (Flywheel)	265A	841673	Clamp-Casing
13	809784	Screw (Cylinder Head)	98	841842	Kit-Idle Speed	267	692539	Screw (Casing Clamp)
15	807392	Plug-Oil Drain	122	809880	Spacer-Carburetor	267A	841672	Screw (Casing Clamp)
16	841683	Crankshaft	125	842183	Carburetor	268	691025	Casing-Control Wire
18	842458	Cover-Crankcase	146	691639	Key-Timing	269	691026	Wire-Control
20	★841596	Seal-Oil (PTO Side)	161	841851	Base-Air Cleaner (Metal)	270	691027	Nut (Control Wire Casing)
21	809895	Cap-Oil Fill	163	807375	Gasket-Air Cleaner	271	692541	Lever-Control
22	807362	Screw (Crankcase Cover/Sump)	163A	841852	Gasket-Air Cleaner	276	809436	Washer-Sealing (Governor Control Lever)
23	842182	Flywheel	167	841855	Seal-Air Cleaner Nut			----- Note -----
24	222698	Key-Flywheel	192	807623	Adjuster-Rocker Arm			841654 Washer- Sealing
25	809790	Piston Assembly	197	692539	Screw (Back Plate)	290	809911	Screw (Intake Elbow)
		----- Note -----	202	841322	Link-Mechanical Governor	290A	807421	Screw (Intake Elbow)
		841931 Piston Assembly (.020" Oversize)	209	841500	Spring-Governor Used on Type No(s). 0078, 0100, 0111.	297	690939	Nut (Air Filter Retainer)
26	809972	Ring Set			----- Note -----	300	809983	Muffler
		----- Note -----			842049 Spring- Governor Used on Type No(s). 0112.	300A	841530	Muffler
		841932 Ring Set (.020" Oversize)	211	809875	Spring-Governed Idle	300B	841680	Muffler (Lo Mount) (Oil Filter Side)
27	807351	Lock-Piston Pin	215	809728	Guide-Air (Cylinder 1)	300C	841836	Muffler
28	807361	Pin-Piston	215A	809737	Guide-Air (Cylinder 2)	300D	842262	Muffler (Lo Mount) (Starter Motor Side)
29	809275	Rod-Connecting	215B	809897	Guide-Air (Cylinder 2)	301	841518	Pipe-Exhaust
32	807363	Screw (Connecting Rod)	215C	809738	Guide-Air (Cylinder 1)	304	842189	Housing-Blower
33	842154	Valve-Exhaust	215D	809739	Guide-Air (Valley)	309	807383	Motor-Starter
34	809902	Valve-Intake	219	809426	Gear-Governor	332	807356	Nut (Flywheel)
35	809374	Spring-Valve (Intake)	220	841608	Washer (Governor Gear)	332A	842222	Nut (Flywheel)
36	809374	Spring-Valve (Exhaust)	221	841026	Cup-Governor			
40	807492	Retainer-Valve						
45	809785	Tappet-Valve						
46	809879	Camshaft						

★ Included in Engine Gasket Set-Ref. No.358.

● Included in Carburetor Overhaul Kit-Ref. No. 121.

◆ Included in Carburetor Gasket Set-Ref. No. 977.

Δ Included in Valve Gasket Set-Ref. No 1095.

Illustrations cover a range of engines. Parts shown without corresponding text may not be used on your specific engine.

543200

REF. NO.	PART NO.	DESCRIPTION	REF. NO.	PART NO.	DESCRIPTION	REF. NO.	PART NO.	DESCRIPTION
333	841279	Armature-Magneto	506	809957	Screw	832	841682	Guard-Muffler
334	692066	Screw			(Carburetor Cover)	836	692539	Screw
		(Magneto Armature)	523	841007	Dipstick			(Muffler Guard)
337	491055	Plug-Spark			(Standard)	851	493880S	Terminal-Spark Plug
344	692539	Screw	526B	691547	Screw	868	★△691963	Seal-Valve
		(Cable Clamp)			(Regulator)(20 Amp)	871	692057	Bushing-Valve Guide
358	841122	Gasket Set-Engine	527	690423	Clamp-Tube	877D	698092	Wire/Connector-
363	19203	Puller-Flywheel	534	692062	Screw			Alternator
365B	841853	Screw			(Air Cleaner)	879	842188	Cover-Carburetor
		(Carburetor)	573	809956	Plate-Back	883	★△809872	Gasket-Exhaust
383	19374S	Wrench-Spark Plug	580	★△809894	Seal-O Ring	884	841968	Clamp-Muffler
415B	690283	Plug			(Oil Fill Cap)	889	842184	Tee
431	841539	Elbow-Intake	587	807386	Clamp-Cable	890	809987	Bracket-Support
431B	841854	Elbow-Intake	596	691492	Screw	890A	841614	Bracket-Support
436B	841681	Manifold-Exhaust			(Oil Pump)	892	692318	Switch-Key
		(Lo Mount)	601	841499	Clamp-Hose	906	690707	Spring-Torsion
		(Oil Filter Side)	607	692539	Screw	914	807357	Screw
436D	842262	Manifold-Exhaust			(Air Cleaner Brace)			(Rocker Cover)
		(Lo Mount)	613	692062	Screw	920	825418	Solenoid-Starter
		(Starter Motor Side)			(Muffler)	943	★690681	Seal-O Ring
437	809743	Screw	615	698290	Retainer-Governor			(Oil Pump Cover)
		(Exhaust Manifold)			Shaft	965	809422	Cover-Oil Pump
439	692154	Seal-O Ring	616	809433	Crank-Governor	967	692520	Filter-Pre Cleaner
		(Crankcase	635	692076	Boot-Spark Plug	968	841847	Cover-Air Cleaner
		Cover/Sump)	643	841850	Retainer-Air Filter	990	691959	Key Set
445B	841856	Filter-Air Cleaner	646	841849	Brace-Air Cleaner	1005	809950	Fan-Flywheel
		Cartridge	664	691087	Nut	1006	809999	Retainer-Fan
		Used on Type No(s).			(Key Switch)	1009	690711	Screw
		0078, 0100, 0111.	668	841974	Spacer			(Starter Motor)
466	841301	Seal-O Ring	691	★809287	Seal-Governor Shaft	1013	809505	Nipple-Oil Filter
		(Breather Assembly)	711	691492	Screw	1017	809421	Screen-Oil Pump
467	841846	Knob-Air Cleaner			(Carburetor Shield)	1019	841305	Kit-Label
468	★690690	Seal-O Ring	718	690959	Pin-Locating	1022	★△809732	Gasket-Rocker Cover
		(Oil Pump Screen)	718A	809508	Pin-Locating	1023	809789	Cover-Rocker
474E	696579	Alternator	725	841132	Shield-Heat	1023A	809731	Cover-Rocker
		(20 Amp)	728	692067	Screw	1024	809396	Pump-Oil
		Used on Type No(s).			(Heat Shield)	1026	809783	Rod-Push
		0078, 0100.	741	809432	Gear-Timing			(Aluminum)
479	807084	Screw	750	692539	Screw	1027	492932S	Filter-Oil
		(Oil Pump Screen)			(Oil Pump Cover)	1029	807323	Arm-Rocker
500	691086	Washer	789	809906	Harness-Wiring	1036		Label-Emissions
		(Key Switch)	789A	809967	Harness-Wiring			(Available from an
501B	691573	Regulator	798	691492	Screw			Authorized Briggs &
		(20 Amp)			(Rocker Arm)			Stratton Service
		Used on Type No(s).	806	692062	Screw			Dealer)
		0078, 0100.			(Lifting Bracket)			

★ Included in Engine Gasket Set-Ref. No.358.

● Included in Carburetor Overhaul Kit-Ref. No. 121.

◆ Included in Carburetor Gasket Set-Ref. No. 977.

△ Included in Valve Gasket Set-Ref. No 1095.

Illustrations cover a range of engines. Parts shown without corresponding text may not be used on your specific engine.

3322-13

Assemblies include all parts shown in frames.

09/20/2005

543200

REF. NO.	PART NO.	DESCRIPTION	REF. NO.	PART NO.	DESCRIPTION	REF. NO.	PART NO.	DESCRIPTION
1054	807340	Tie-Cable	1209	692539	Screw (Speed Control Panel)	1335	690939	Nut (Blower Housing)
1058	276061	Operator's Manual	1212	809958	Stud (Blower Housing)	1336	841015	Shield-Wire Protective
1068	842185	Hose/Clamp Assembly	1263	841324	Reed-Breather	1372	809946	Stud (Rotating Screen)
1070	807435	Screw (Flywheel Fan)	1332	806647	Washer (Rotating Screen)	1375	841550	Cover-Breather Reed
1070B	841205	Screw (Flywheel Fan)	1334	807435	Screw (Air Guide)	1376	806421	Screw (Breather/Reed Cover)
1077	809729	Bracket-Lifting	1334A	841233	Screw (Air Guide)	1398	842191	Cover-Fuel Pump
1095	841123	Gasket Set-Valve	1334B	692062	Screw (Air Guide)	1399	690932	Screw (Cover-Fuel Pump)
1100	690973	Pivot-Rocker Arm	1334C	690677	Screw (Air Guide)	1400	809894	Seal-O Ring (Cover-Fuel Pump)
1119	691552	Screw (Alternator)						
1130	841590	Stud (Intake Manifold)						
1174	842067	Nut (Intake Manifold) (Used After Code Date 04022900)						

★ Included in Engine Gasket Set-Ref. No.358.

● Included in Carburetor Overhaul Kit-Ref. No. 121.

◆ Included in Carburetor Gasket Set-Ref. No. 977.

△ Included in Valve Gasket Set-Ref. No 1095.

Illustrations cover a range of engines. Parts shown without corresponding text may not be used on your specific engine.

3322-14

Assemblies include all parts shown in frames.

09/20/2005