

446700

Illustrated Parts List

Model Series

446700

TYPE NUMBERS
0025 through 0365.

TABLE OF CONTENTS

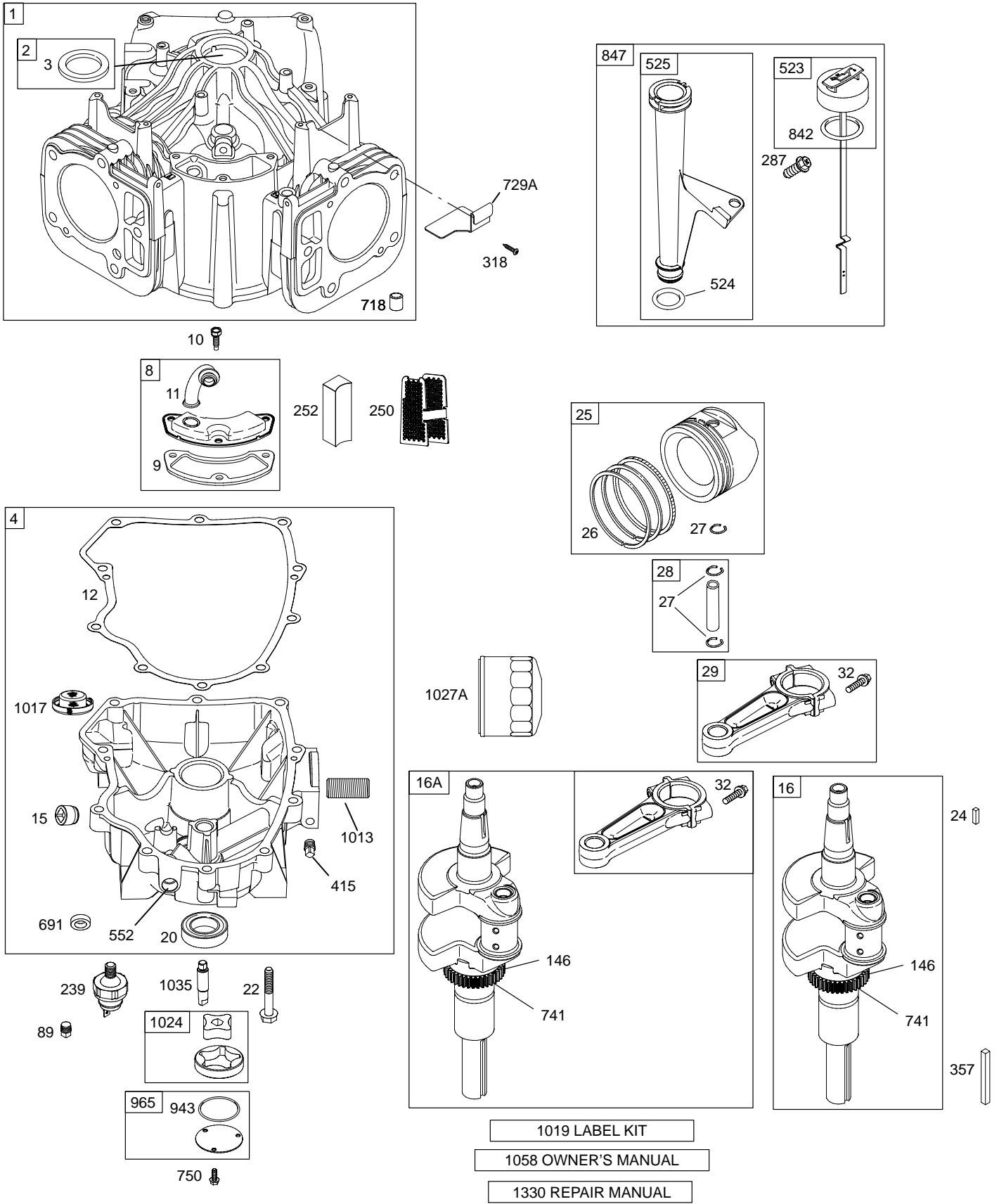
Air Cleaner	5
Alternators	7
Blower Housing/Shrouds	5
Camshaft	3
Carburetor	4
Controls	6
Crankshaft	2
Crankcase Sump	2
Cylinder	2
Cylinder Head	3
Electric Starter	6
Exhaust System	6
Flywheel	6
Ignition	7
Kit/Gasket Sets	4
Lubrication	2
Piston, Rings, Connecting Rod	2
Valves	3



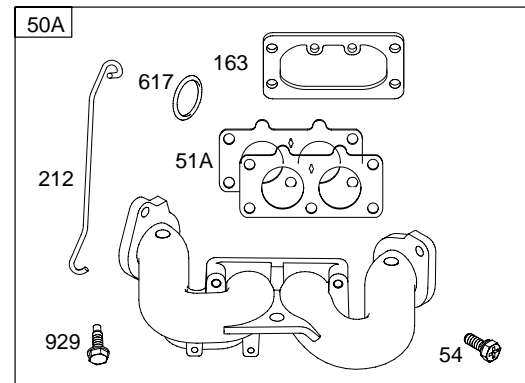
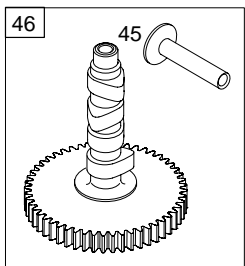
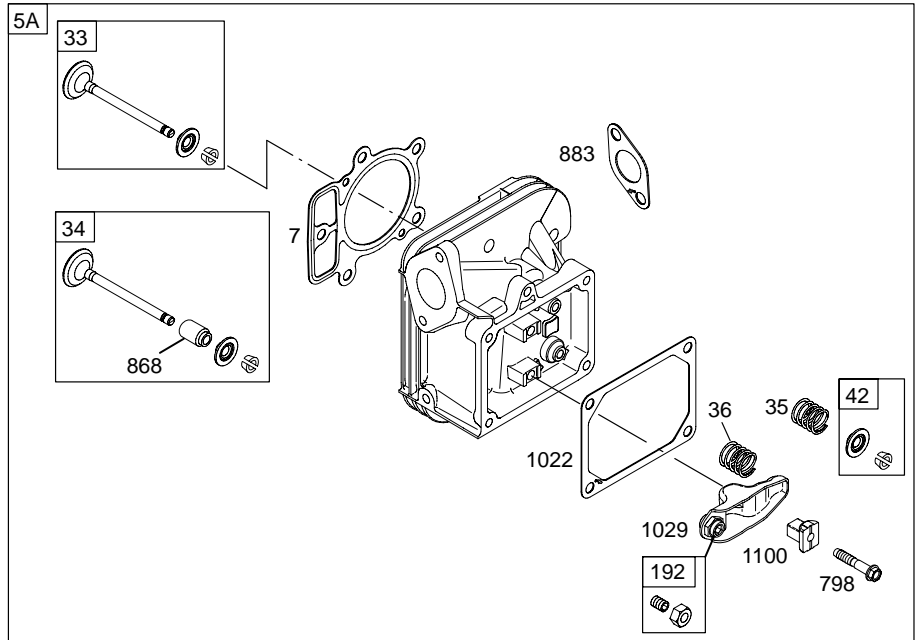
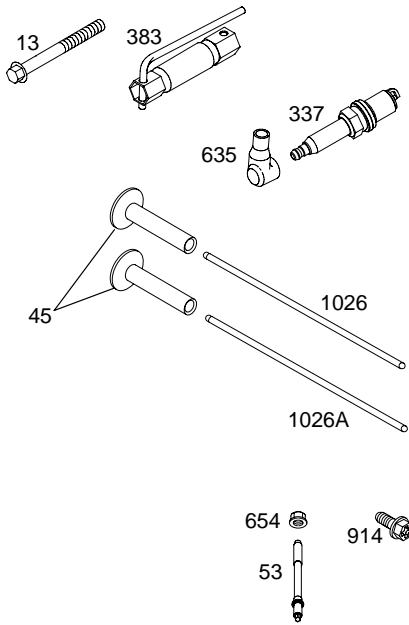
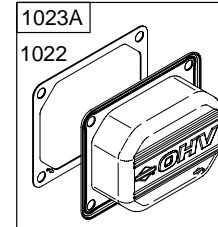
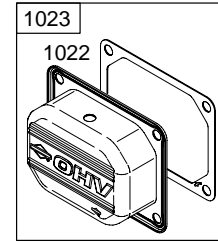
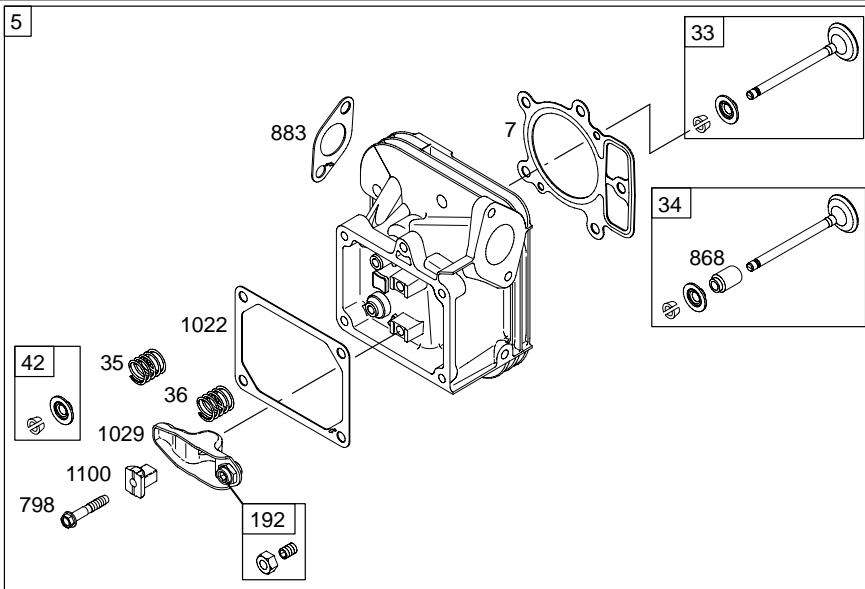
PRINTED IN U.S.A.

COPYRIGHT by BRIGGS & STRATTON CORPORATION
 All rights reserved. No part of this material may be reproduced or transmitted,
 in any form or by any means, electronic or mechanical, including photocopying,
 recording or by any information storage and retrieval system, without permission
 in writing from Briggs & Stratton Corporation.

446700

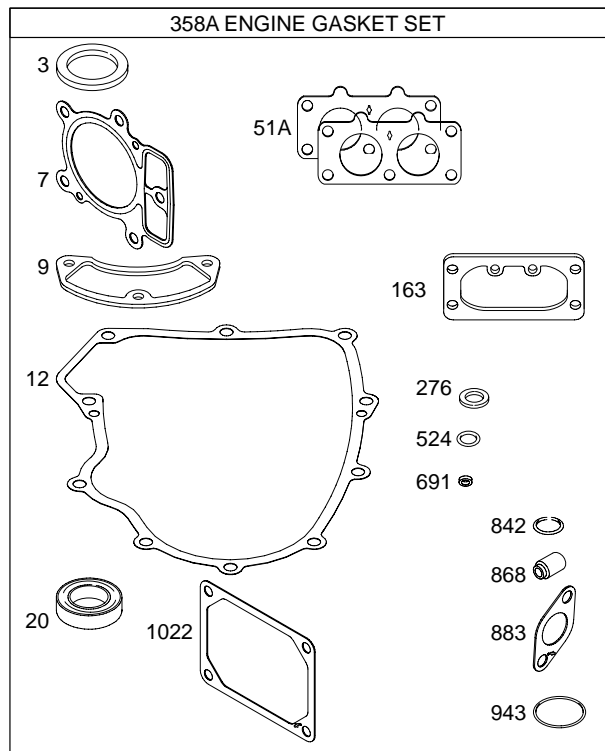
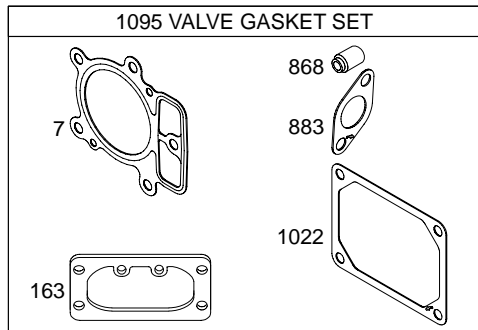
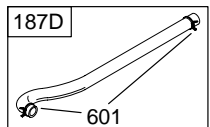
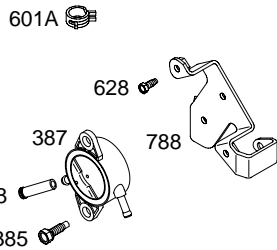
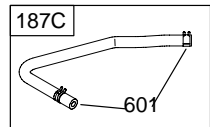
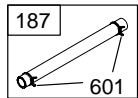
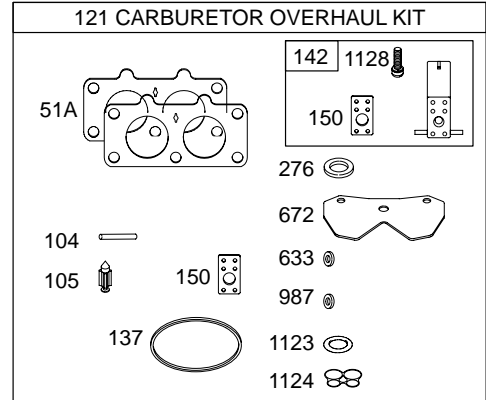
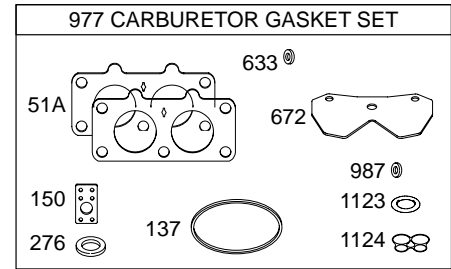
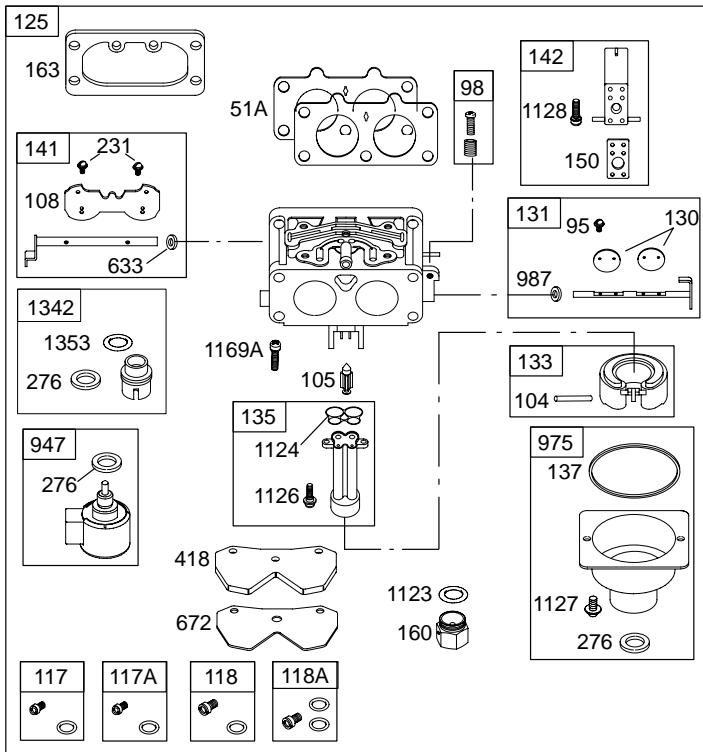


Illustrations cover a range of engines. Parts shown without corresponding text may not be used on your specific engine.
 5195-2 Assemblies include all parts shown in frames. 02/11/2005



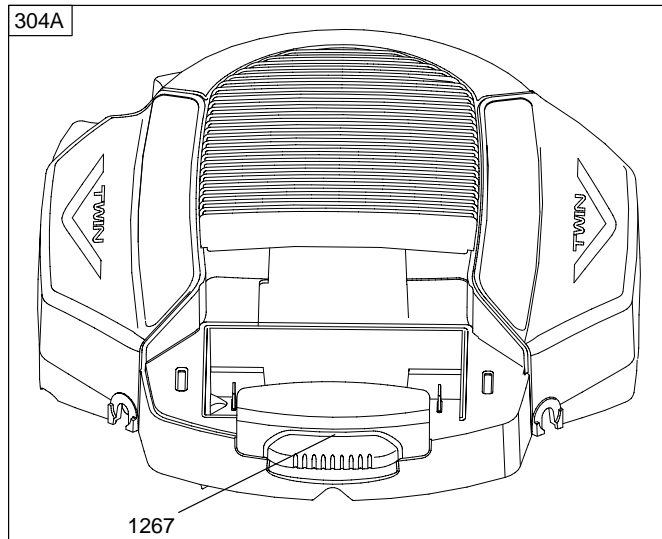
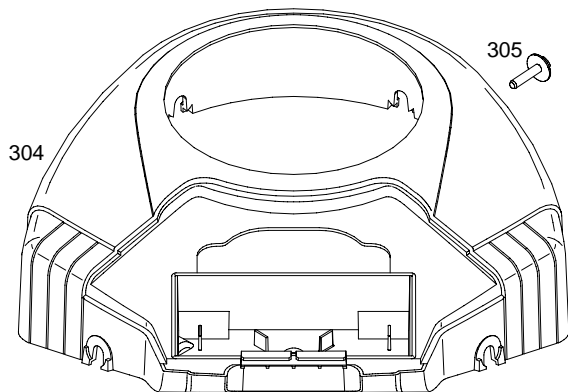
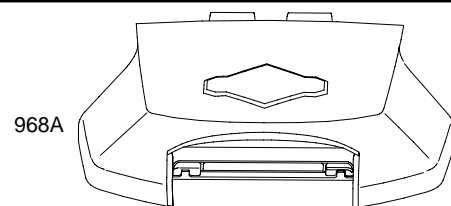
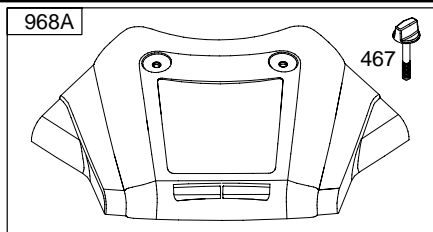
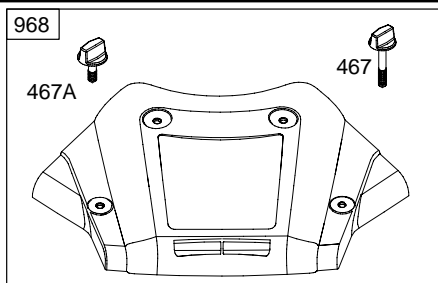
Illustrations cover a range of engines. Parts shown without corresponding text may not be used on your specific engine.
 5195-3 Assemblies include all parts shown in frames. 02/11/2005

446700



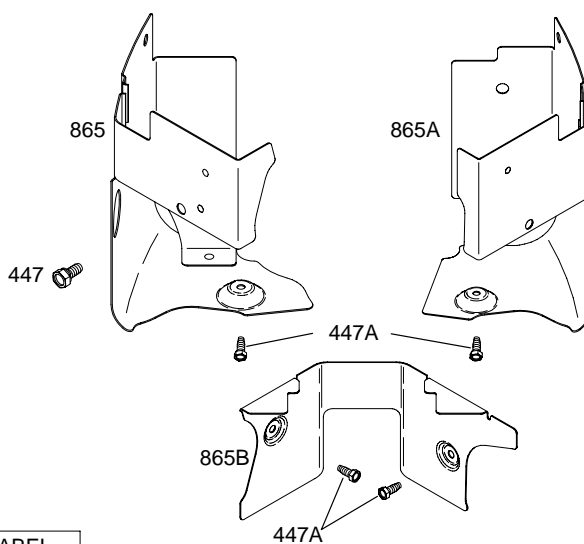
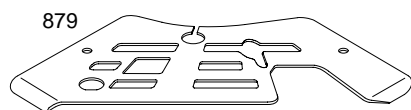
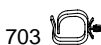
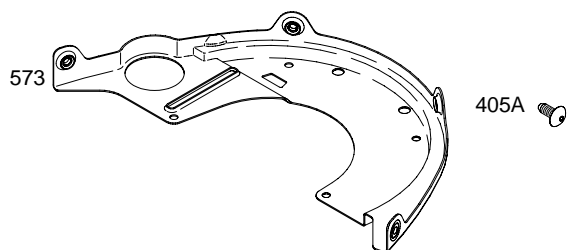
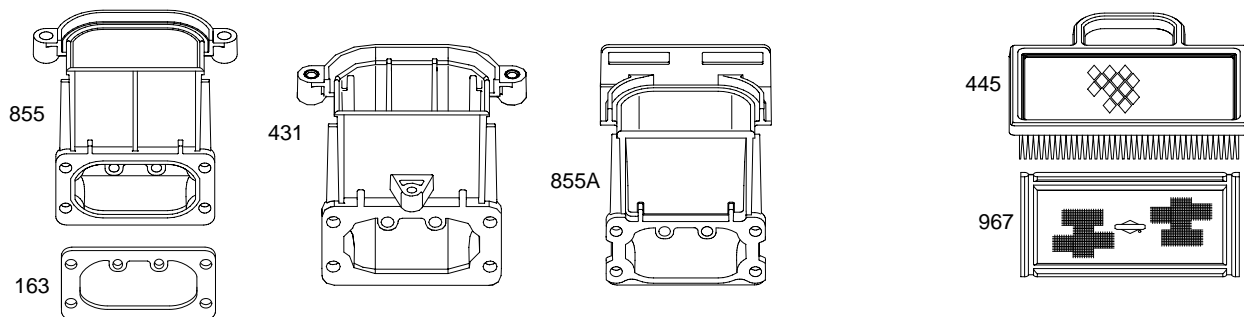
Illustrations cover a range of engines. Parts shown without corresponding text may not be used on your specific engine.
5195-4 Assemblies include all parts shown in frames. 02/11/2005

446700



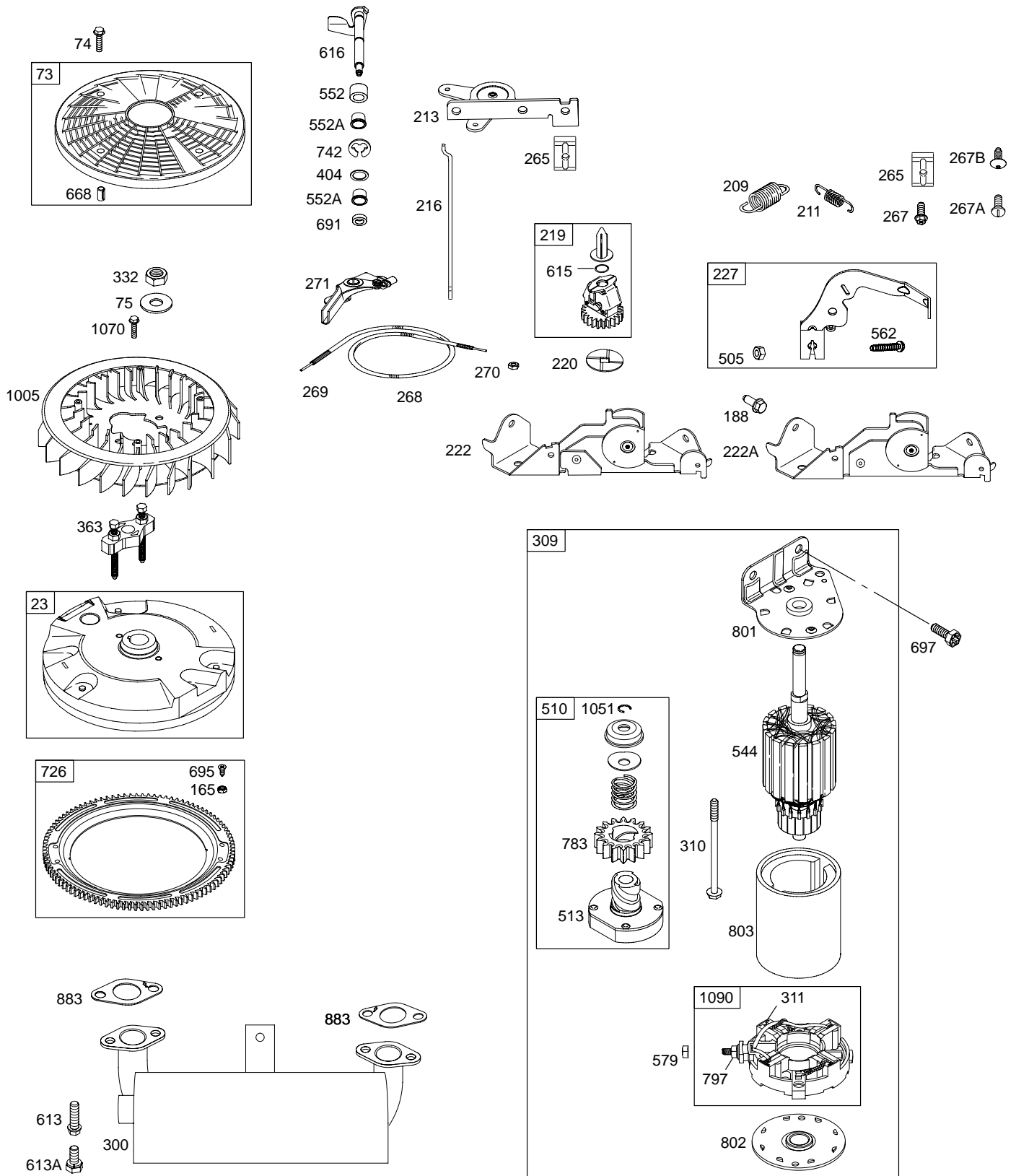
5195-5 *Illustrations cover a range of engines. Parts shown without corresponding text may not be used on your specific engine.* Assemblies include all parts shown in frames. 02/11/2005

446700



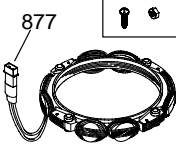
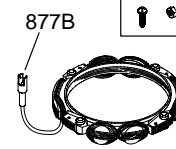
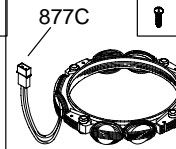
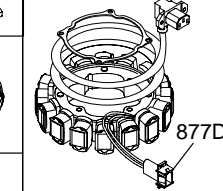




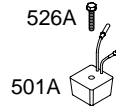
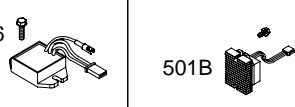
1036 EMISSIONS LABEL

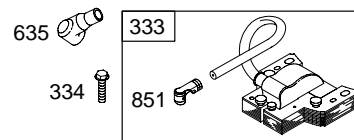
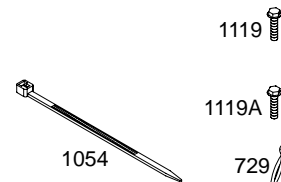
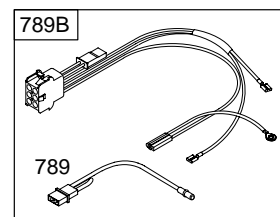
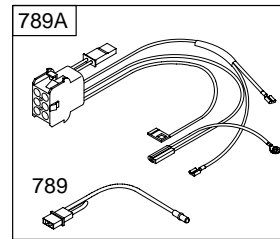
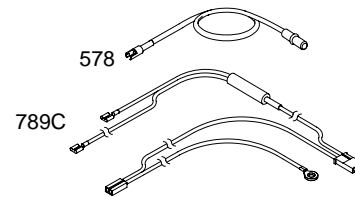
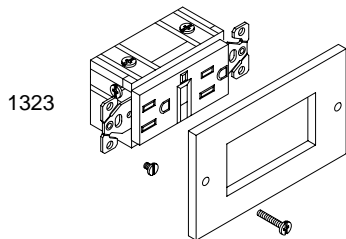
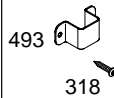
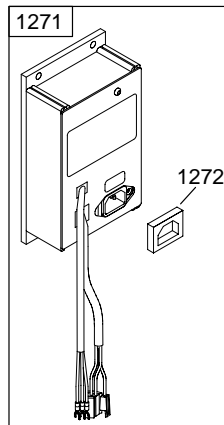
5195-6 *Illustrations cover a range of engines. Parts shown without corresponding text may not be used on your specific engine.* Assemblies include all parts shown in frames. 02/11/2005



Illustrations cover a range of engines. Parts shown without corresponding text may not be used on your specific engine.
 5195-7 Assemblies include all parts shown in frames. 02/11/2005

446700

DUAL CIRCUIT		TRI CIRCUIT		10 - 16 AMP		20 AMP	
474B	1059	474C	1059	474D	1059	474E	
							
							
<p>NOTE: All Stators Use a No. 1119 Mounting Screw. </p> <p>NOTE: The proper flywheel part number and/or the alternator magnet size will determine the alternator type or output. See repair instruction manual for additional information.</p>							



Illustrations cover a range of engines. Parts shown without corresponding text may not be used on your specific engine.
 5195-8 Assemblies include all parts shown in frames. 02/11/2005

446700

REF. NO.	PART NO.	DESCRIPTION	REF. NO.	PART NO.	DESCRIPTION	REF. NO.	PART NO.	DESCRIPTION
1	699753	Cylinder Assembly (Used After Code Date 03090100). ----- Note ----- 699740 Cylinder Assembly (Used Before Code Date 03090200).	16	699700	Crankshaft (Used After Code Date 04010800). Used on Type No(s). 0027, 0100, 0101, 0115, 0117, 0127, 0165, 0219, 0245, 0246, 0264, 0362. ----- Note ----- 790132 Crankshaft (Used After Code Date 04010800). Used on Type No(s). 0026, 0112, 0126, 0128, 0177, 0200, 0201, 0202, 0241, 0244, 0365. 790136 Crankshaft (Used After Code Date 04010800). Used on Type No(s). 0025, 0302, 0316.	20	★690947	Seal-Oil (PTO Side)
2	499585	Kit-Bushing/Seal (Magneto Side)				22	694966	Screw (Crankcase Cover/Sump)
3	★391086	Seal-Oil (Magneto Side)				23	691053	Flywheel ----- Note ----- 691054 Flywheel Used on Type No(s). 0100, 0101, 0264. 697809 Flywheel Used on Type No(s). 0201, 0202.
4	699747	Sump-Engine (Used After Code Date 03082800). ----- Note ----- 690069 Sump-Engine (Used Before Code Date 03082900).				24	222698	Key-Flywheel
5	697580	Head-Cylinder (Cylinder 1)				25	697679	Piston Assembly (Standard) ----- Note ----- 697681 Piston Assembly (.020" Oversize)
5A	697581	Head-Cylinder (Cylinder 2)	16A	699701	Crankshaft (Includes Connecting Rod) (Used Before Code Date 04010900). Used on Type No(s). 0027, 0100, 0101, 0115, 0117, 0127, 0165, 0219, 0245, 0246, 0264, 0362. ----- Note ----- 790133 Crankshaft (Includes Connecting Rod) (Used Before Code Date 04010900). Used on Type No(s). 0026, 0112, 0126, 0128, 0177, 0200, 0201, 0202, 0241, 0244, 0365. 790137 Crankshaft (Includes Connecting Rod) (Used Before Code Date 04010900). Used on Type No(s). 0025, 0302, 0316.	26	697683	Ring Set (Standard) ----- Note ----- 697685 Ring Set (.020" Oversize)
7	★Δ693997	Gasket-Cylinder Head				27	690975	Lock-Piston Pin
8	499601	Breather Assembly				28	690229	Pin-Piston (Standard)
9	690937	Gasket-Breather				29	699699	Rod-Connecting (Standard) (Used After Code Date 04010800). ----- Note ----- (For Replacement Connecting Rod, See Reference 16A) (Used Before Code Date 04010900).
10	691108	Screw (Breather Assembly)				32	690976	Screw (Connecting Rod)
11	690942	Tube-Breather				33	697576	Valve-Exhaust
12	★697227	Gasket-Crankcase				34	697464	Valve-Intake
13	791130	Screw (Cylinder Head) (Used After Code Date 04111500). ----- Note ----- 690360 Screw (Cylinder Head) (Used Before Code Date 04111600).				35	690963	Spring-Valve (Intake)
15	690946	Plug-Oil Drain				36	690963	Spring-Valve (Exhaust)
						42	499586	Keeper-Valve
						45	690977	Tappet-Valve

★ Included in Engine Gasket Set-Ref. No.358.

● Included in Carburetor Overhaul Kit-Ref. No. 121.

◆ Included in Carburetor Gasket Set-Ref. No. 977.

Δ Included in Valve Gasket Set-Ref. No 1095.

Illustrations cover a range of engines. Parts shown without corresponding text may not be used on your specific engine.

446700

REF. NO.	PART NO.	DESCRIPTION	REF. NO.	PART NO.	DESCRIPTION	REF. NO.	PART NO.	DESCRIPTION
46	790562	Camshaft (Used After Code Date 04082300). ----- Note ----- 690978 Camshaft (Used Before Code Date 03082900).	117	699732	Jet-Main (Standard) (Left)(Nikki) (Used After Code Date 04080300). ----- Note ----- 690232 Jet-Main (Standard) (Used Before Code Date 04080400).	125	699709	Carburetor
50A	695241	Manifold-Intake (Plastic)				130	690993	Valve-Throttle
51A★◆	791677	Gasket-Intake				131	499805	Kit-Throttle Shaft
53	690951	Stud (Carburetor)	117A	699733	Jet-Main (Standard) (Right)(Nikki) (Used After Code Date 04080300). ----- Note ----- 690232 Jet-Main (Standard) (Used Before Code Date 04080400).	133	699724	Float-Carburetor (Used After Code Date 04080300). ----- Note ----- 499806 Float-Carburetor (Used Before Code Date 04080400).
54	699816	Screw (Intake Manifold)				135 ◆◆	699729	Tube-Fuel Transfer (Used After Code Date 04080300). ----- Note ----- 499803 Tube-Fuel Transfer (Used Before Code Date 04080400).
73	494439	Screen-Rotating				137	◆690994	Gasket-Float Bowl
74	698425	Screw (Rotating Screen)				141	699722	Kit-Choke Shaft (Used After Code Date 04080300). ----- Note ----- 499807 Kit-Choke Shaft (Used Before Code Date 04080400).
75	691056	Washer (Flywheel)				142	◆699726	Nozzle-Carburetor (Standard) (Used After Code Date 04080300). ----- Note ----- 499808 Nozzle-Carburetor (Standard) (Used Before Code Date 04080400).
89	690283	Plug-Oil	118	790890	Jet-Main (High Altitude) (Left)(Nikki) (Used After Code Date 04080300). ----- Note ----- 690989 Jet-Main (High Altitude) (Used Before Code Date 04080400).	146	690979	Key-Timing
95	690718	Screw (Throttle Valve)				150	◆◆690995	Gasket-Nozzle
98	699721	Kit-Idle Speed (Used After Code Date 04080300). ----- Note ----- 499802 Kit-Idle Speed (Used Before Code Date 04080400).				160	699727	Retainer-Solenoid (Used After Code Date 04080300). ----- Note ----- 690996 Retainer-Solenoid (Used Before Code Date 04080400).
104	◆694918	Pin-Float Hinge (Used After Code Date 04080300). ----- Note ----- 690984 Pin-Float Hinge (Used Before Code Date 04080400).	118A	699458	Jet-Main (High Altitude) (Right)(Nikki) (Used After Code Date 04080300). ----- Note ----- 690989 Jet-Main (High Altitude) (Used Before Code Date 04080400).			
105	◆698537	Valve-Float Needle (Used After Code Date 04080300). ----- Note ----- 690985 Valve-Float Needle (Used Before Code Date 04080400).						
108	699723	Valve-Choke (Used After Code Date 04080300). ----- Note ----- 690986 Valve-Choke (Used Before Code Date 04080400).	121	699734	Kit-Carburetor Overhaul (Used After Code Date 04080300). ----- Note ----- 499811 Kit- Carburetor Overhaul (Used Before Code Date 04080400).			

★ Included in Engine Gasket Set-Ref. No.358.

◆ Included in Carburetor Overhaul Kit-Ref. No. 121.

◆ Included in Carburetor Gasket Set-Ref. No. 977.

△ Included in Valve Gasket Set-Ref. No 1095.

Illustrations cover a range of engines. Parts shown without corresponding text may not be used on your specific engine.

446700

REF. NO.	PART NO.	DESCRIPTION	REF. NO.	PART NO.	DESCRIPTION	REF. NO.	PART NO.	DESCRIPTION
163	691001	Gasket–Air Cleaner	231	690718	Screw (Choke Valve)	337	491055	Plug–Spark ----- Note -----
165	693148	Nut (Ring Gear)	239	491657	Switch–Oil Pressure	691043		Plug–Spark Used on Type No(s). 0197, 0200, 0241, 0245.
187	691050	Line–Fuel (Cut To Required Length)	240A	695666	Filter–Fuel	357	691483	Key–Drive Pulley
187C	698742	Line–Fuel	250	690957	Retainer–Breather	358A	694012	Gasket Set–Engine
187D	697712	Line–Fuel (Molded) Used on Type No(s). 0128, 0177, 0200, 0201, 0202, 0241, 0244, 0365.	252	690956	Collector–Oil	363	19203	Puller–Flywheel
188	691108	Screw (Control Bracket)	265	691024	Clamp–Casing	383	19374	Wrench–Spark Plug
192	690083	Adjuster–Rocker Arm	267	691044	Screw (Casing Clamp)	385	691108	Screw (Fuel Pump)
209	697674	Spring–Governor (Brown) ----- Note -----	267A	695134	Screw (Casing Clamp) (Pan Head)	387	808656	Pump–Fuel
		692909 Spring– Governor (Yellow) Used on Type No(s). 0108.	267B	697820	Screw (Casing Clamp) (6–Lobe Truss Head)	404	690442	Washer (Governor Crank)
		698071 Spring– Governor (White) Used on Type No(s). 0100, 0101, 0112, 0128, 0202.	268	691025	Casing–Control Wire (Cut To Required Length)	405A	697820	Screw (Back Plate)
211	691019	Spring–Governed Idle	269	691026	Wire–Control (Cut To Required Length)	415	690283	Plug (Pipe)(.125–27 NPTF)
212	695238	Link–Throttle (Used With Plastic Intake Manifold)	270	691027	Nut (Control Wire Casing)	418	690999	Plate–Carburetor
213	691021	Bracket–Choke Control	271	691028	Lever–Control	431	790816	Elbow–Intake
216	691022	Link–Choke	276★◆	690997	Washer–Sealing	445	698754	Filter–Air Cleaner Cartridge
219	698231	Gear–Governor	287	691108	Screw (Dipstick Tube)	447	691003	Screw (Air Guide Cover)
220	690412	Washer (Governor Gear)	300	696226	Muffler Used on Type No(s). 0112, 0202.	447A	691108	Screw (Air Guide Cover)
222	698761	Bracket–Control	304	790688	Housing–Blower (Black)	467	691008	Knob–Air Cleaner
222A	698757	Bracket–Control Used on Type No(s). 0200, 0245, 0365. ----- Note -----	304A	698073	Housing–Blower (Black) Used on Type No(s). 0025, 0100, 0101, 0112, 0115, 0126, 0127, 0128, 0202, 0244, 0245, 0246, 0302, 0362, 0365.	467A	790697	Knob–Air Cleaner
		697678 Bracket– Control (Used Before Code Date 02111900). Used on Type No(s). 0197, 0200.	305	691005	Screw (Blower Housing) (21/32" Long)	474B	696459	Alternator (Dual Circuit)
227	691048	Lever–Governor Control	309	497401	Motor–Starter	474C	696457	Alternator (Tri Circuit) Used on Type No(s). 0108, 0362.
			310	691263	Screw (Starter Motor)	474D	696458	Alternator (10 Amp Circuit) Used on Type No(s). 0025, 0026, 0027, 0106, 0112, 0115, 0126, 0127, 0128, 0165, 0177, 0197, 0200, 0219, 0241, 0244, 0245, 0246, 0302, 0316, 0365.
			311	497608	Brush Set	474E	697810	Alternator (20 Amp) Used on Type No(s). 0201, 0202.
			318	807130	Screw (Mounting Bracket)	493	698024	Bracket–Mounting
			332	691059	Nut (Flywheel)	501	691185	Regulator (10 Amp Circuit)
			333	691060	Armature–Magneto			
			334	691061	Screw (Magneto Armature)			

★ Included in Engine Gasket Set–Ref. No.358.

● Included in Carburetor Overhaul Kit–Ref. No. 121.

◆ Included in Carburetor Gasket Set–Ref. No. 977.

△ Included in Valve Gasket Set–Ref. No 1095.

Illustrations cover a range of engines. Parts shown without corresponding text may not be used on your specific engine.

446700

REF. NO.	PART NO.	DESCRIPTION	REF. NO.	PART NO.	DESCRIPTION	REF. NO.	PART NO.	DESCRIPTION
501A	691188	Regulator (5 To 9 Amp Regulated) Used on Type No(s). 0108, 0362.	615	698290	Retainer-Governor Shaft	789C	691220	Harness-Wiring
501B	691573	Regulator (20 Amp) Used on Type No(s). 0201, 0202.	616	691045	Crank-Governor	797	693167	Nut (Brush Retainer)
505	691029	Nut (Governor Control Lever)	617	697891	Seal-O Ring (Intake Manifold)	798	697890	Screw (Rocker Arm)
510	696541	Drive-Starter	628	691108	Screw (Fuel Pump Bracket)	801	691283	Cap-Drive
513	692024	Clutch-Drive	633	◆690998	Seal-Choke/Throttle Shaft	802	691286	Cap-End
523	691036	Dipstick	635	66538	Boot-Spark Plug	803		Housing-Starter (Service With 497401 Starter Motor)
524	★691032	Seal-Dipstick Tube	654	690958	Nut (Carburetor)	842	★691031	Seal-O Ring (Dipstick Tube)
525	691037	Tube-Dipstick	668	691215	Spacer	847	499602	Dipstick/Tube Assembly
526	691108	Screw (Regulator) (10 Amp Circuit)	672	◆690234	Gasket-Carburetor Plate	851	493880	Terminal-Spark Plug
526A	691129	Screw (Regulator) Used on Type No(s). 0108, 0201, 0202, 0362.	691	★690657	Seal-Governor Shaft	855	691011	Adapter-Air Cleaner (Used Before Code Date 04080400).
544		Armature-Starter (Service With 497401 Starter Motor)	695	693149	Screw (Ring Gear)	855A	698072	Adapter-Air Cleaner
552	690552	Bushing-Governor Crank	697	690372	Screw (Drive Cap)	865	691012	Cover-Air Guide (Cylinder 1)
552A	690553	Bushing-Governor Crank	703	691010	Clip	865A	691014	Cover-Air Guide (Cylinder 2)
562	690311	Bolt (Governor Control Lever)	718	690959	Pin-Locating	865B	691015	Cover-Air Guide (Valley)
573	790444	Plate-Back	726	499612	Gear-Ring	868	★△690968	Seal-Valve
578	691208	Wire Assembly Used on Type No(s). 0026, 0027, 0106, 0115.	729	694123	Clip-Wire	877	393456	Wire/Connector- Alternator (Dual Circuit)
579	691029	Nut (Starter Cable)	729A	697993	Clip-Wire Used on Type No(s). 0201, 0202.	877B	393537	Wire/Connector- Alternator (Tri Circuit) Used on Type No(s). 0108, 0362.
601	95162	Clamp-Hose (Green)	741	690980	Gear-Timing	877C	399916	Wire/Connector- Alternator (10 Amp Circuit) Used on Type No(s). 0025, 0026, 0027, 0106, 0112, 0115, 0126, 0127, 0128, 0165, 0177, 0197, 0200, 0219, 0241, 0244, 0245, 0246, 0302, 0316, 0365.
601A	691038	Clamp-Hose (Black)	742	690328	Retainer-E Ring	877D	698092	Wire/Connector- Alternator (20 Amp) Used on Type No(s). 0201, 0202.
613	690297	Screw (Muffler) Used on Type No(s). 0112, 0202.	750	696999	Screw (Oil Pump Cover)	878	691237	Harness-Alternator (Dual Circuit)
613A	690341	Screw (Muffler) Used on Type No(s). 0112, 0202.	783	695708	Gear-Pinion			
			788	691039	Bracket-Fuel Pump			
			789	790544	Harness-Wiring			
			789A	698330	Harness-Wiring (6 Pin Customer Conversion) Used on Type No(s). 0025, 0026, 0027, 0108, 0112, 0126, 0127, 0128, 0165, 0177, 0197, 0200, 0201, 0202, 0219, 0241, 0244, 0245, 0246, 0264, 0302, 0316.			
			789B	696576	Harness-Wiring Used on Type No(s). 0165, 0177, 0197, 0200, 0201, 0241, 0244, 0245, 0246, 0365.			

★ Included in Engine Gasket Set-Ref. No.358.

● Included in Carburetor Overhaul Kit-Ref. No. 121.

◆ Included in Carburetor Gasket Set-Ref. No. 977.

△ Included in Valve Gasket Set-Ref. No 1095.

Illustrations cover a range of engines. Parts shown without corresponding text may not be used on your specific engine.

446700

REF. NO.	PART NO.	DESCRIPTION	REF. NO.	PART NO.	DESCRIPTION	REF. NO.	PART NO.	DESCRIPTION
879	690757	Cover-Carburetor (Used After Code Date 03081000).	1005	790698	Fan-Flywheel (Used After Code Date 04080300).	1023	499599	Cover-Rocker (Cylinder 1)
883	★△690970	Gasket-Exhaust			Used on Type No(s). 0026, 0027, 0106, 0108, 0165, 0177, 0197, 0200, 0201, 0219, 0241, 0264, 0316.	1023A	499600	Cover-Rocker (Cylinder 2)
914	691127	Screw (Rocker Cover)			----- Note -----	1024	499054	Pump-Oil
918	694000	Hose-Vacuum			698760 Fan-Flywheel Used on Type No(s). 0025, 0101, 0115, 0117, 0118, 0126, 0128, 0202, 0245, 0302, 0362, 0365.	1026	690981	Rod-Push (Steel)
929	695239	Screw (Choke Control Bracket)(Used With Plastic Intake Manifold)			698760 Fan-Flywheel (Used After Code Date 04080300).	1026A	690982	Rod-Push (Aluminum)
943	★690589	Seal-O Ring (Oil Pump Cover)			Used on Type No(s). 0244, 0246..	1027A	696854	Filter-Oil
947	699728	Solenoid-Fuel (Used After Code Date 04080300).			691054 Flywheel Used on Type No(s). 0101, 0264..	1029	690972	Arm-Rocker
		----- Note -----			499603 Flywheel Used on Type No(s). 0100..	1035	691042	Shaft-Pump
		499809 Solenoid- Fuel (Used Before Code Date 04080400).			499603 Fan-Flywheel (Used Before Code Date 04080400).	1036	790626	Label-Emissions (Used After Code Date 04120700).
965	499613	Cover-Oil Pump			----- Note -----			697913 Label-Emissions (Used After Code Date 03012600 and Before Code Date 04120800).
967	273638	Filter-Pre Cleaner			499812 Gasket Set-Carburetor (Used Before Code Date 04080400).			695432 Label-Emissions (Used After Code Date 00070100 and Before Code Date 03012700).
968	790095	Cover-Air Cleaner (Used Before Code Date 04080400).						695704 Label-Emissions (Used Before Code Date 00063000).
968A	790689	Cover-Air Cleaner (Used After Code Date 04080300).	1013	690954	Nipple-Oil Filter	1051	691265	Ring-Retaining
975	499810	Bowl-Float	1017	690770	Screen-Oil Pump	1054	280275	Tie-Cable
977	699735	Gasket Set- Carburetor (Used After Code Date 04080300).	1019	790094	Kit-Label	1058	276245	Operator's Manual
		----- Note -----	1022	★△690971	Gasket-Rocker Cover	1059	698516	Kit-Screw/Washer
		499812 Gasket Set-Carburetor (Used Before Code Date 04080400).				1070	691058	Screw (Flywheel Fan)
987	●●691000	Seal-Throttle Shaft				1090	691293	Retainer-Brush
						1095	694013	Gasket Set-Valve
						1100	690973	Pivot-Rocker Arm

★ Included in Engine Gasket Set-Ref. No.358.

● Included in Carburetor Overhaul Kit-Ref. No. 121.

◆ Included in Carburetor Gasket Set-Ref. No. 977.

△ Included in Valve Gasket Set-Ref. No. 1095.

Illustrations cover a range of engines. Parts shown without corresponding text may not be used on your specific engine.

446700

REF. NO.	PART NO.	DESCRIPTION	REF. NO.	PART NO.	DESCRIPTION	REF. NO.	PART NO.	DESCRIPTION
1119	691183	Screw (Alternator)	1127	690992	Screw (Float Bowl)	1323	790239	Receptacle-Powerlink (Used After Code Date 04013100).
1119A	697811	Screw (Alternator)(20 Amp)	1128	690990	Screw (Carburetor Nozzle)			----- Note -----
1123	◆699725	Seal-O Ring (Solenoid Retainer) (Used After Code Date 04080300).	1169	693140	Screw (Carburetor Cover Plate)			699146 Receptacle- Powerlink (Used Before Code Date 04020100).
		----- Note -----	1267	698440	Latch-Blower Housing Used on Type No(s). 0025, 0101, 0112, 0115, 0126, 0127, 0128, 0202, 0244, 0245, 0246, 0302, 0365.	1330	273521	Repair Manual
		690987 Seal-O Ring (Solenoid Retainer) (Used Before Code Date 04080400).	1271	697992	Inverter	1342	699731	Extension-Fuel Transfer Tube (Used After Code Date 04080300).
1124	690988	Seal-O Ring (Fuel Transfer Tube)	1272	697260	Gasket-Inverter	1353	699725	Seal-O Ring (Fuel Transfer Tube Extension) (Used After Code Date 04080300).
1126	690991	Screw (Fuel Transfer Tube)						

★ Included in Engine Gasket Set-Ref. No.358.

● Included in Carburetor Overhaul Kit-Ref. No. 121.

◆ Included in Carburetor Gasket Set-Ref. No. 977.

△ Included in Valve Gasket Set-Ref. No 1095.

Illustrations cover a range of engines. Parts shown without corresponding text may not be used on your specific engine.

5195-14

Assemblies include all parts shown in frames.

2/11/2005