



Illustrated Parts List

Model Series

437400

700cc

GAS

TYPE NUMBERS
0105, 0205, 0305.

TO FIND

THE CORRECT NUMBER OF THE PART YOU NEED: FOLLOW THE INSTRUCTIONS BELOW

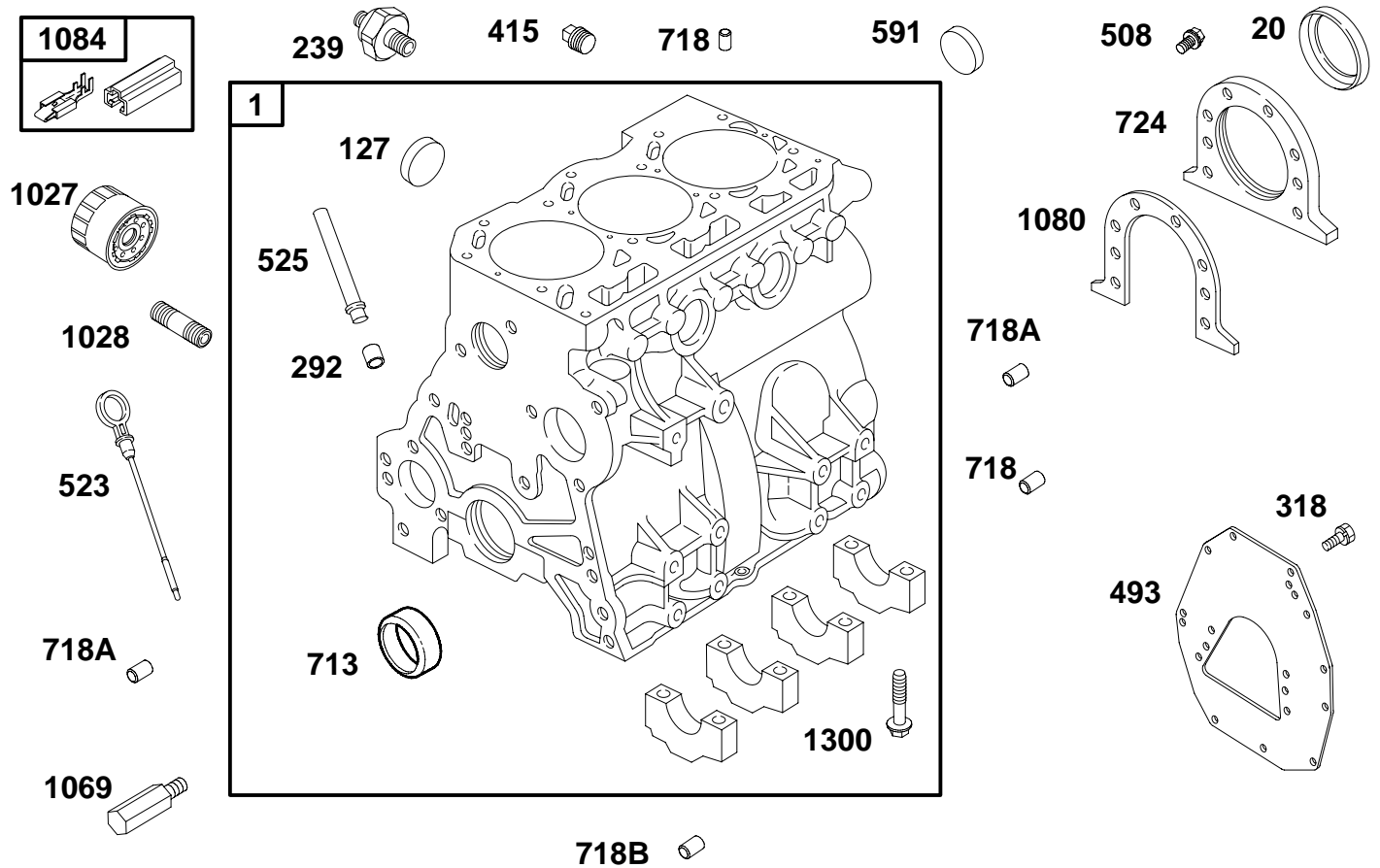
- A. Refer to Model, Type and Code Number that is located on the engine. Engine type numbers such as 0123 01 are listed only as 0123 in most instances. The two digits (01, 02, E1, etc.) to the right of the space may be required for more accurate parts identification in some instances. Select the Illustrated Parts List covering the correct Model Series and Type Number.
- B. Refer to the Illustrations and compare the original part with Illustration. The number next to the illustration is the Reference Number. Assemblies include all parts shown in frames. All parts shown in assembly frames having individual reference numbers can be purchased separately.
- C. After the Reference Number has been identified, refer to the Numerical text, where Reference and Primary Part Number are listed. **THE PRIMARY PART IS USED ON ALL TYPE NUMBERS EXCEPT THOSE TYPE NUMBERS UNDER NOTE.**
- D. If a *Note* appears below the Primary Part Number, it means that this part differs from the Primary Part for certain types. If your Type number is listed under *Note*, order the part referred to at the *Note*.
- E. If your Engine Type Number does not appear after any part number listed under *Note*, use the Primary Part Number.
- F. For Engine Type Numbers not covered by this book, check other Parts Lists having the same engine model or contact your source of supply.
- G. **REFER TO REPAIR MANUAL MS 0750 FOR ASSEMBLY AND/OR TORQUE REQUIREMENTS.**

PRINTED IN U.S.A.



COPYRIGHT by BRIGGS & STRATTON DAIHATSU LLC
All rights reserved. No part of this material may be reproduced or transmitted, in any form or by any means, electronic or mechanical, including photocopying, recording or by any information storage and retrieval system, without permission in writing from Briggs & Stratton DAIHATSU LLC.

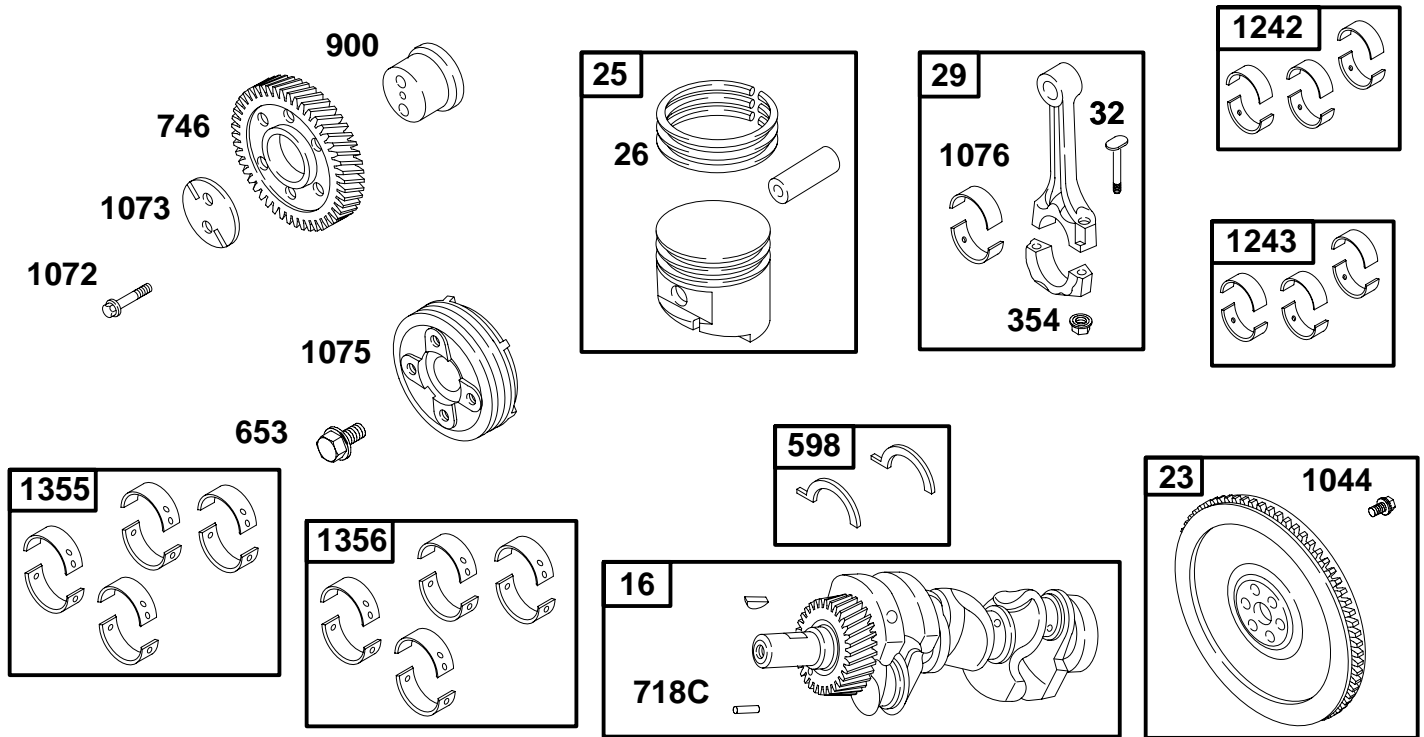
437400



REF. NO.	PART NO.	DESCRIPTION	REF. NO.	PART NO.	DESCRIPTION	REF. NO.	PART NO.	DESCRIPTION
1	825333	Cylinder Assembly (9 mm) (Used After Code Date 99063000). Used on Type No(s). 0205, 0305.	20	★821073	Seal-Oil (PTO Side)	1027	491056	Filter-Oil
		Note	127	820004	Plug-Welch	1028	820050	Adapter-Oil Filter
		825333 Cylinder Assembly (9 mm) (Used After Code Date 98123100 and Before Code Date 99070100). Used on Type No(s). 0105, 0205.	239	821135	Switch-Oil Pressure	1069	820102	Nozzle-Oil
		825027 Cylinder Assembly (8 mm) Used on Type No(s). 0105. (Used Before Code Date 99010100).	292	820662	Collar-Dipstick Tube	1080	★820145	Gasket-Seal Retainer
			318	820176	Screw (Mounting Bracket)	1084	825154	Connector-Terminal
			415	820051	Plug	1300	820042	Screw (Crankshaft Bearing Cap)
			493	820170	Bracket-Mounting			
			508	820031	Screw (Seal Retainer)			
			523	821158	Dipstick			
			525	820144	Tube-Dipstick			
			591	820151	Plug-Camshaft			
			713	820129	Bushing-Camshaft			
			718	820063	Pin-Locating			
			718A	820062	Pin-Locating			
			718B	820061	Pin-Locating			
			724	820146	Retainer-Seal			

★ Engine Gasket Set - Reference 358
◆ Carburetor Overhaul Kit - Reference 121

△ Valve Gasket Set - Reference 1095

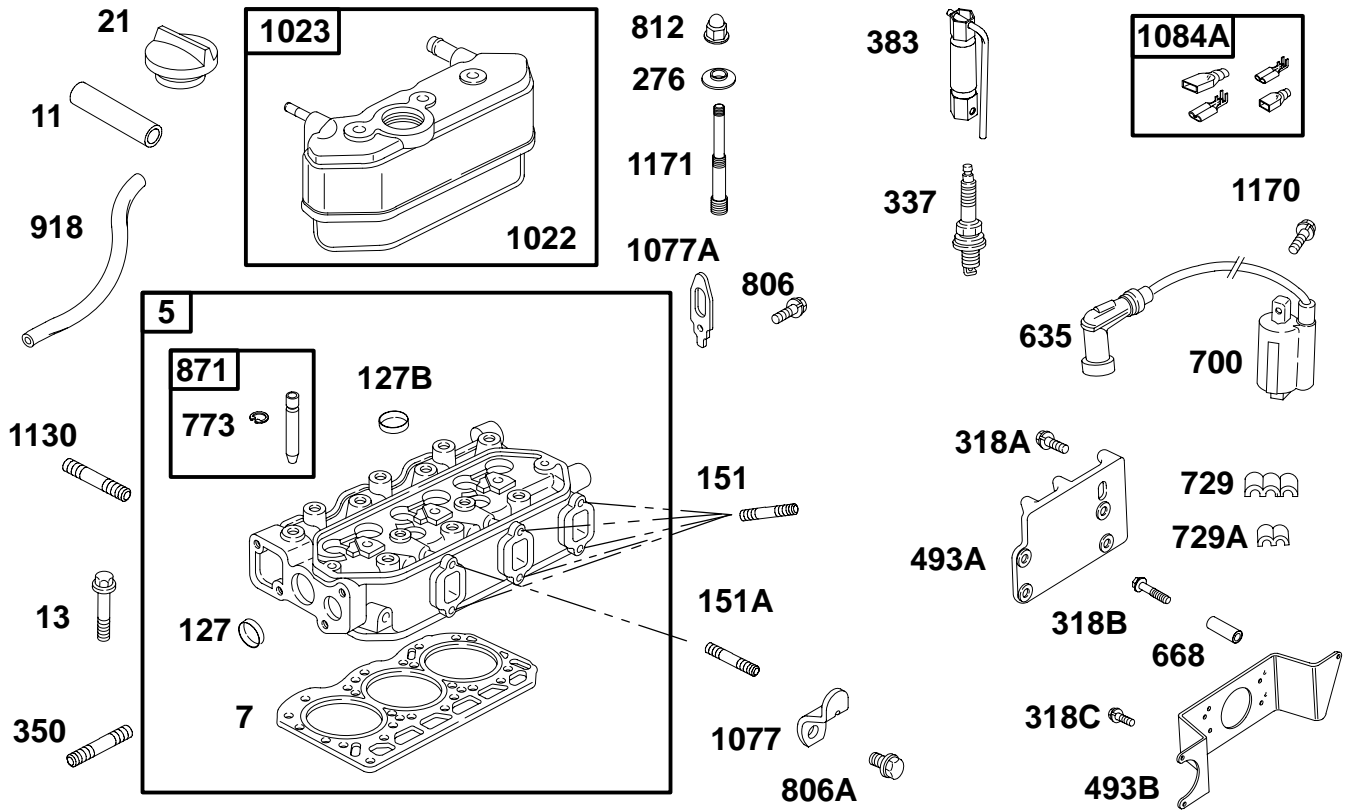


REF. NO.	PART NO.	DESCRIPTION	REF. NO.	PART NO.	DESCRIPTION	REF. NO.	PART NO.	DESCRIPTION
16	825345	Crankshaft (Used After Code Date 99063000). Used on Type No(s). 0205, 0305. Note — 825345 Crankshaft (Used After Code Date 98123100 and Before Code Date 99070100). Used on Type No(s). 0105, 0205. 825016 Crankshaft (Used Before Code Date 99010100).	354	820073	Nut (Connecting Rod)	900	820116	Shaft-Gear
			598	820140	Shim-Endplay (Standard) Note — 820139 Shim-Endplay (.010" Oversize)	1044	820080	Screw (Flywheel)
			653	820079	Screw (Crankshaft Pulley)	1072	820081	Screw (Idle Gear Plate)
23	825303	Flywheel	718C	820059	Pin-Locating	1073	820117	Plate-Idle Gear
25	825038	Piston Assembly (Standard) Note — 825018 Piston Assembly (010" Oversize)	746	820611	Gear-Idler (Left Helix) (Used After Code Date 99063000). Used on Type No(s). 0205, 0305. Note — 820611 Gear-Idler (Left Helix) (Used After Code Date 98123100 and Before Code Date 99070100). Used on Type No(s). 0105, 0205. 825013 Gear-Idler (Right Helix) (Used Before Code Date 99010100).	1075	820236	Pulley-Crankshaft
26	825091	Ring Set (Standard) Note — 825092 Ring Set (010" Oversize)				1076	820142	Bearing/STD-Rod
29	825033	Rod-Connecting				1242	825019	Bearing Set/STD-Rod
32	820128	Screw (Connecting Rod)				1243	825060	Bearing Set/010-Rod
						1355	825040	Bearing Set/STD-Main
						1356	825039	Bearing Set/010-Main

★ Engine Gasket Set – Reference 358
◆ Carburetor Overhaul Kit – Reference 121

△ Valve Gasket Set – Reference 1095

437400

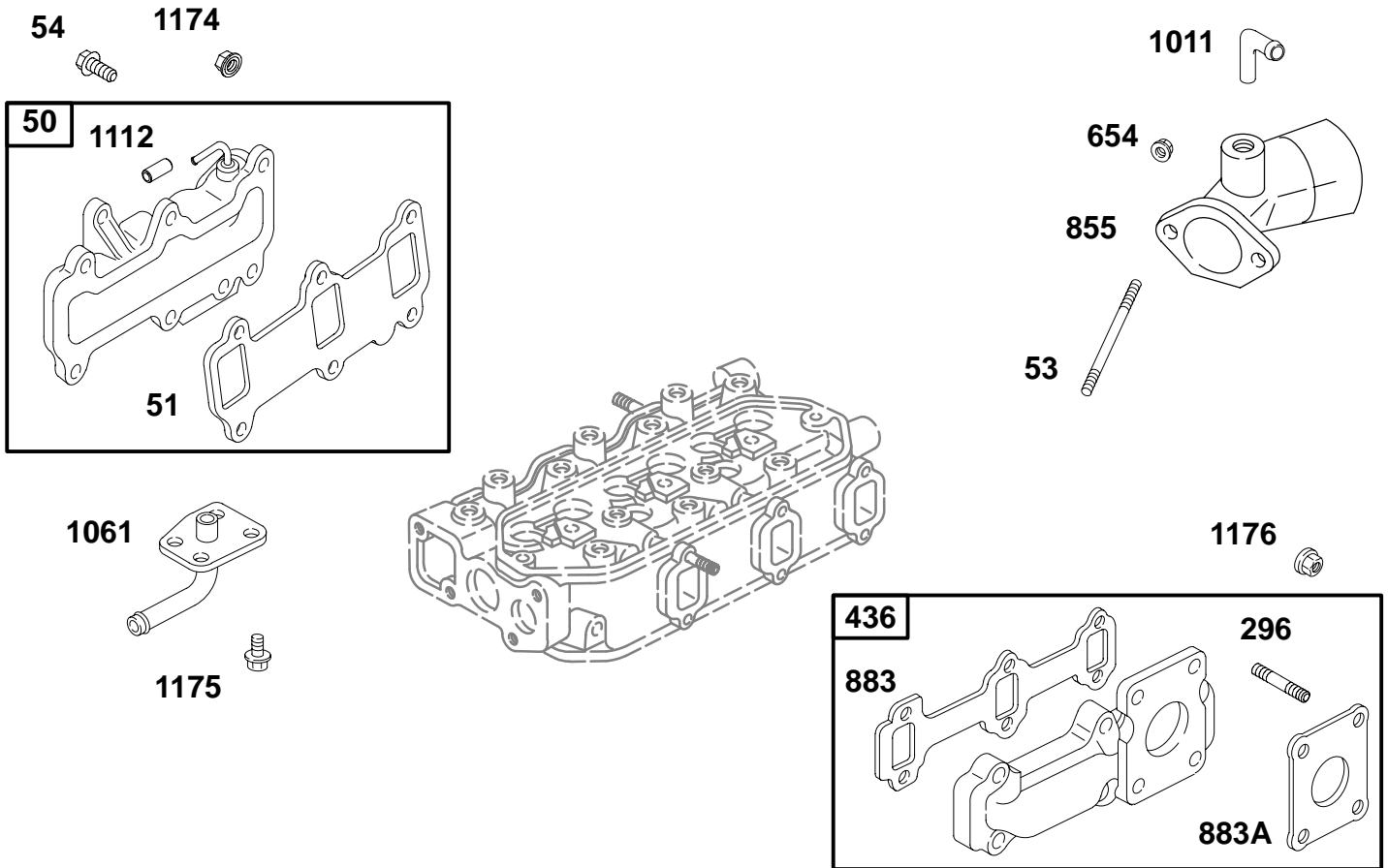


REF. NO.	PART NO.	DESCRIPTION	REF. NO.	PART NO.	DESCRIPTION	REF. NO.	PART NO.	DESCRIPTION
5	825545	Head-Cylinder	21	825024	Cap-Oil Fill	700	820037	Coil-Ignition
7	★Δ820650	Gasket-Cylinder Head	127	820004	Plug-Welch	729	820672	Clip-Wire
11	820048	Tube-Breather	127B	820005	Plug-Welch	729A	820046	Clip-Wire
13	820623	Screw (Cylinder Head) (9 mm Head Bolts) (Used After Code Date 99063000). Used on Type No(s). 0205, 0305.	151	820014	Stud (Exhaust Manifold)	773	820130	Retainer (Valve Guide Bushing)
		Note	151A	820466	Stud (Exhaust Manifold)	806	820212	Screw (Lifting Bracket)
		820623 Screw (Cylinder Head) (9 mm Head Bolts) (Used After Code Date 98123100 and Before Code Date 99070100). Used on Type No(s). 0105, 0205.	276	★Δ820064	Washer-Sealing (Rocker Cover)	806A	820024	Screw (Lifting Bracket)
		820074 Screw (Cylinder Head) (8 mm Head Bolts) (Used Before Code Date 99010100).	318A	820024	Screw (Mounting Bracket)	812	820071	Nut (Rocker Cover)
			318B	820676	Screw (Mounting Bracket)	871	825030	Bushing-Valve Guide
			318C	820273	Screw (Mounting Bracket)	918	820393	Hose-Vacuum
			337	491055	Plug-Spark	1022	★Δ820150	Gasket-Rocker Cover
			350	820078	Stud (Water Pump)	1023	825277	Cover-Rocker
			383	89838	Wrench-Spark Plug	1077	820260	Bracket-Lifting
			493A	820083	Bracket-Mounting	1077A	820254	Bracket-Lifting
			493B	820480	Bracket-Mounting	1084A	825155	Connector-Terminal
			635	820084	Boot-Spark Plug	1130	820015	Stud (Intake Manifold)
			668	820675	Spacer	1170	820012	Screw (Ignition Coil)
						1171	820076	Stud (Rocker Cover)

★ Engine Gasket Set - Reference 358
 ◆ Carburetor Overhaul Kit - Reference 121

Δ Valve Gasket Set - Reference 1095

437400



REF. NO.	PART NO.	DESCRIPTION	REF. NO.	PART NO.	DESCRIPTION	REF. NO.	PART NO.	DESCRIPTION
50	825260	Manifold-Intake	654	820011	Nut (Carburetor)	1011	820184	Tube-Vent
51	Δ★820087	Gasket-Intake (Intake Manifold)	855	820578	Adapter-Air Cleaner	1061	820090	Cover-Outlet
53	820077	Stud (Carburetor Mounting)	883	Δ★820817	Gasket-Exhaust (Exhaust Manifold)	1112	820543	Plug-Vent
54	820031	Screw (Intake Manifold)	883A	★821001	Gasket-Exhaust (Muffler)	1174	820069	Nut (Intake Manifold)
296	820553	Stud (Muffler Mounting)				1175	820034	Screw (Outlet Cover)
436	825055	Manifold-Exhaust				1176	820010	Nut (Exhaust Manifold)

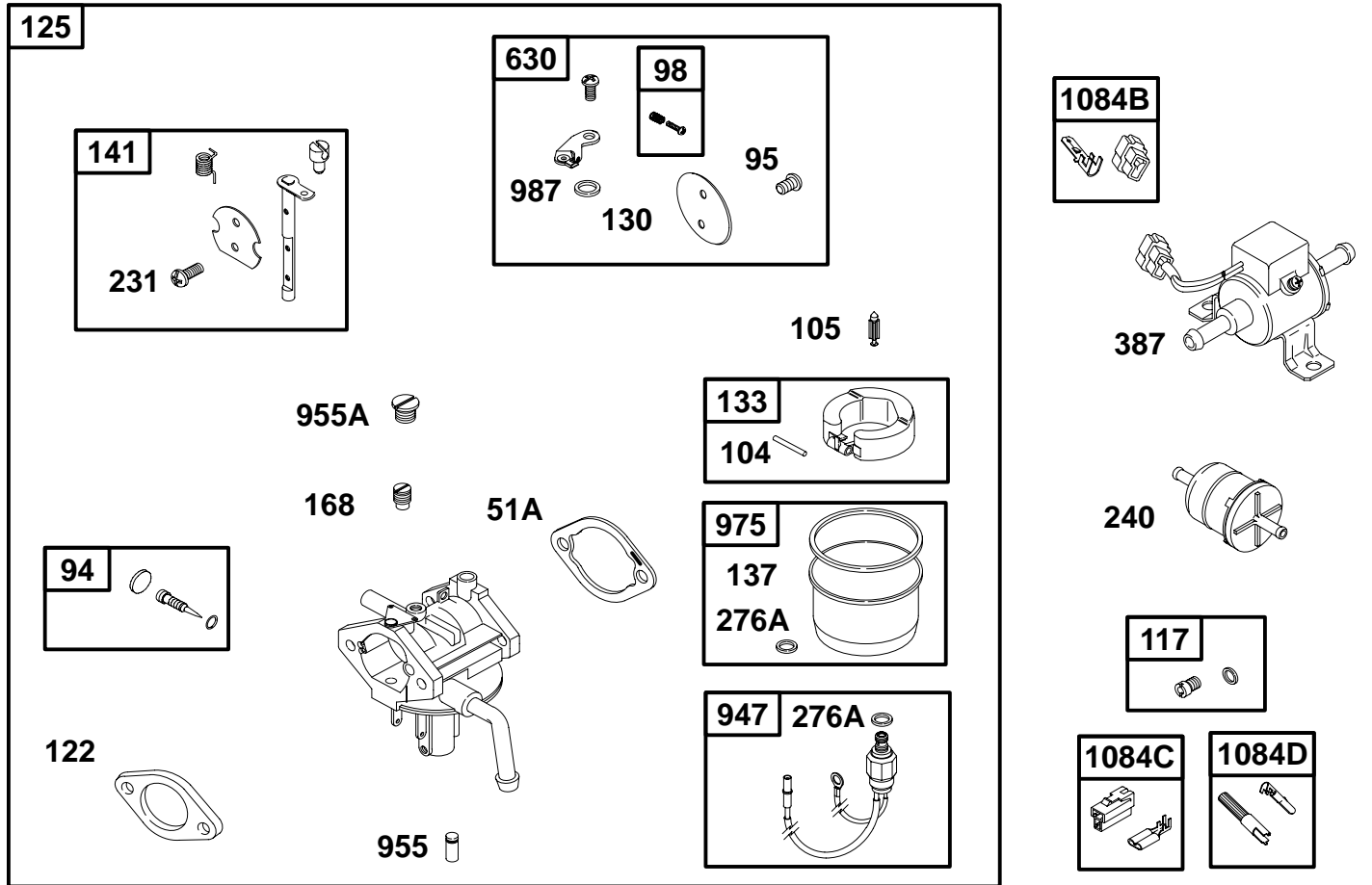
★ Engine Gasket Set – Reference 358
 ◆ Carburetor Overhaul Kit – Reference 121

Δ Valve Gasket Set – Reference 1095

437400

**NIKKI
MANUAL CHOKE
ELECTRONIC GOVERNOR**

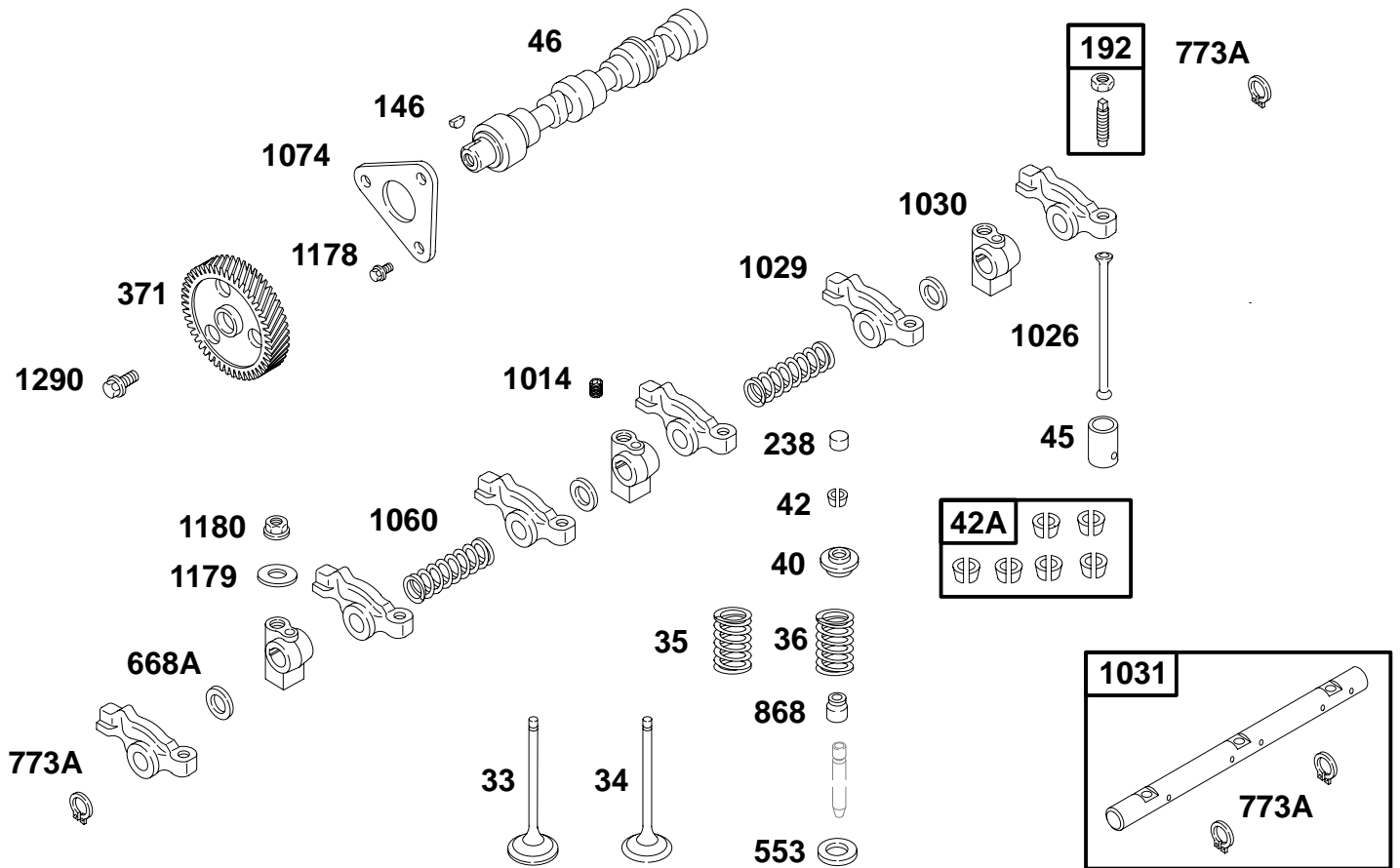
121 CARBURETOR OVERHAUL KIT



REF. NO.	PART NO.	DESCRIPTION	REF. NO.	PART NO.	DESCRIPTION	REF. NO.	PART NO.	DESCRIPTION
51A	★◆820385	Gasket-Intake	130		Valve-Throttle (Sold In Kit Only)	947	825255	Solenoid-Fuel
94	◆825374	Kit-Idle Mixture	133	825248	Float-Carburetor	955	◆820510	Plug-Carburetor (Slow Passage)
95	◆820504	Screw (Throttle Valve)	137	◆820508	Gasket-Float Bowl	955A	◆820520	Plug-Carburetor (Jet)
98	◆825250	Kit-Idle Speed	141	825375	Kit-Choke Shaft	975	825247	Bowl-Float
104	◆693506	Pin-Float Hinge	168	◆820603	Jet-Idle Circuit	987		Seal-Throttle Shaft (Sold In Kit Only)
105	◆820506	Valve-Needle	231	◆820504	Screw (Choke Valve)	1084B	825156	Connector-Terminal
117	825614	Jet-Main (Standard)	240	821026	Filter-Fuel	1084C	825157	Connector-Terminal
121	825441	Kit-Carburetor Overhaul	276A	◆820511	Washer-Sealing	1084D	825158	Connector-Terminal
122	◆820082	Spacer-Carburetor	387	825232	Pump-Fuel			
125	825371	Carburetor (Manual Choke) (Electronic Governor)	630	825292	Lever/Plate-Throttle (To Replace Throttle Shaft, Order Reference 125)			

★ Engine Gasket Set - Reference 358
◆ Carburetor Overhaul Kit - Reference 121

△ Valve Gasket Set - Reference 1095

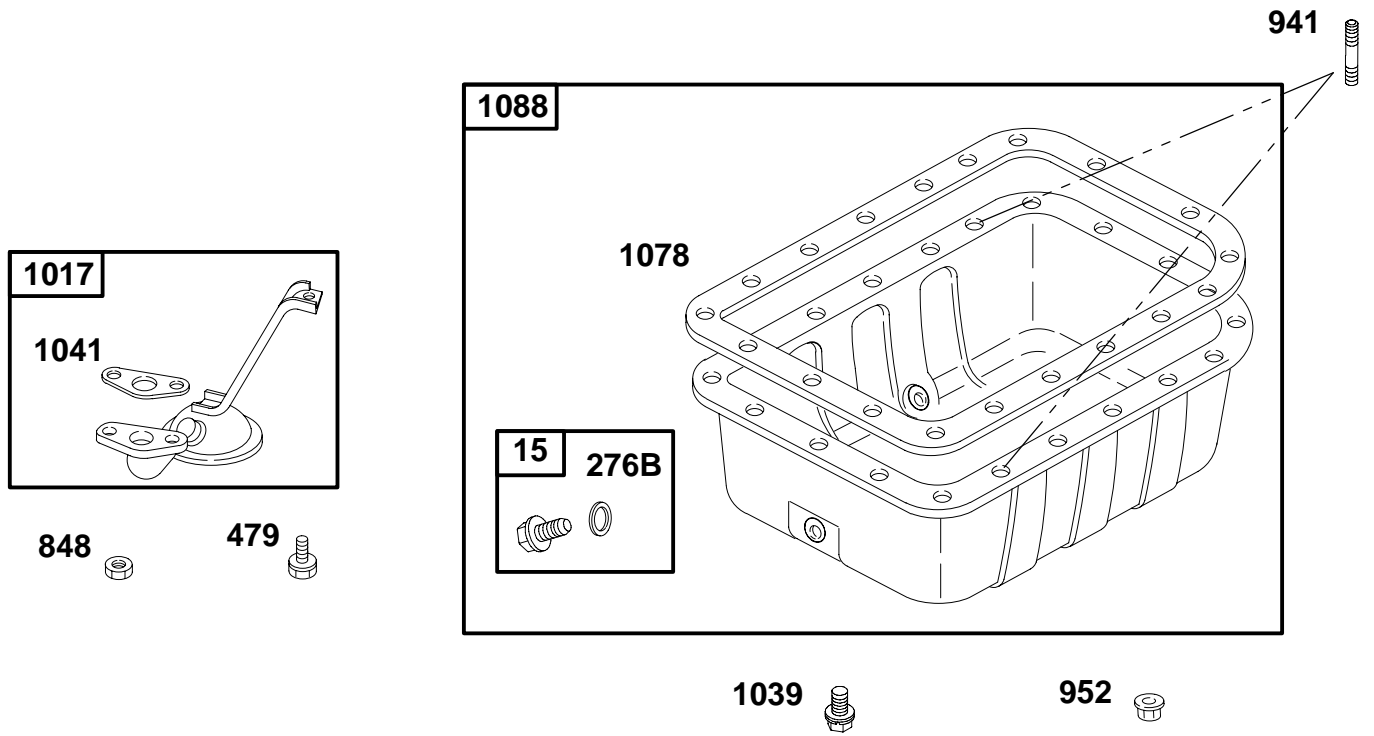


REF. NO.	PART NO.	DESCRIPTION	REF. NO.	PART NO.	DESCRIPTION	REF. NO.	PART NO.	DESCRIPTION
33	820114	Valve-Exhaust	371	820613	Gear-Cam (Right Helix)	553	820112	Retainer-Valve Spring
34	820115	Valve-Intake			(Used After Code Date 99063000).	668A	820065	Spacer (Rocker Arm Shaft)
35	820043	Spring-Valve (Intake)			Used on Type No(s). 0205, 0305.	773A	820003	Retainer
36	820043	Spring-Valve (Exhaust)			Note	868	820041	Seal-Valve
40	820111	Retainer-Valve			820613 Gear-Cam (Right Helix)	1014	820105	Screw (Rocker Arm Support)
42	825042	Keeper-Valve (Contains 1 Set)			(Used After Code Date 98123100 and Before Code Date 99070100).	1026	820109	Rod-Push
42A	825082	Keeper-Valve (Contains 6 Sets)			Used on Type No(s). 0105, 0205.	1029	820387	Arm-Rocker
45	820110	Tappet-Valve			820119 Gear-Cam (Left Helix)	1030	820106	Support-Rocker Arm
46	820388	Camshaft			(Used Before Code Date 99010100).	1031	825093	Shaft-Rocker Arm
146	691639	Key-Timing				1060	820044	Spring-Rocker Shaft
192	825041	Adjuster-Rocker Arm				1074	820118	Retainer-Camshaft
238	820113	Cap-Valve				1178	820032	Screw (Camshaft Retainer)
						1179	820177	Washer (Rocker Arm Support)
						1180	820070	Nut (Rocker Arm Support)
						1290	820075	Screw (Cam Gear)

★ Engine Gasket Set - Reference 358
 ◆ Carburetor Overhaul Kit - Reference 121

△ Valve Gasket Set - Reference 1095

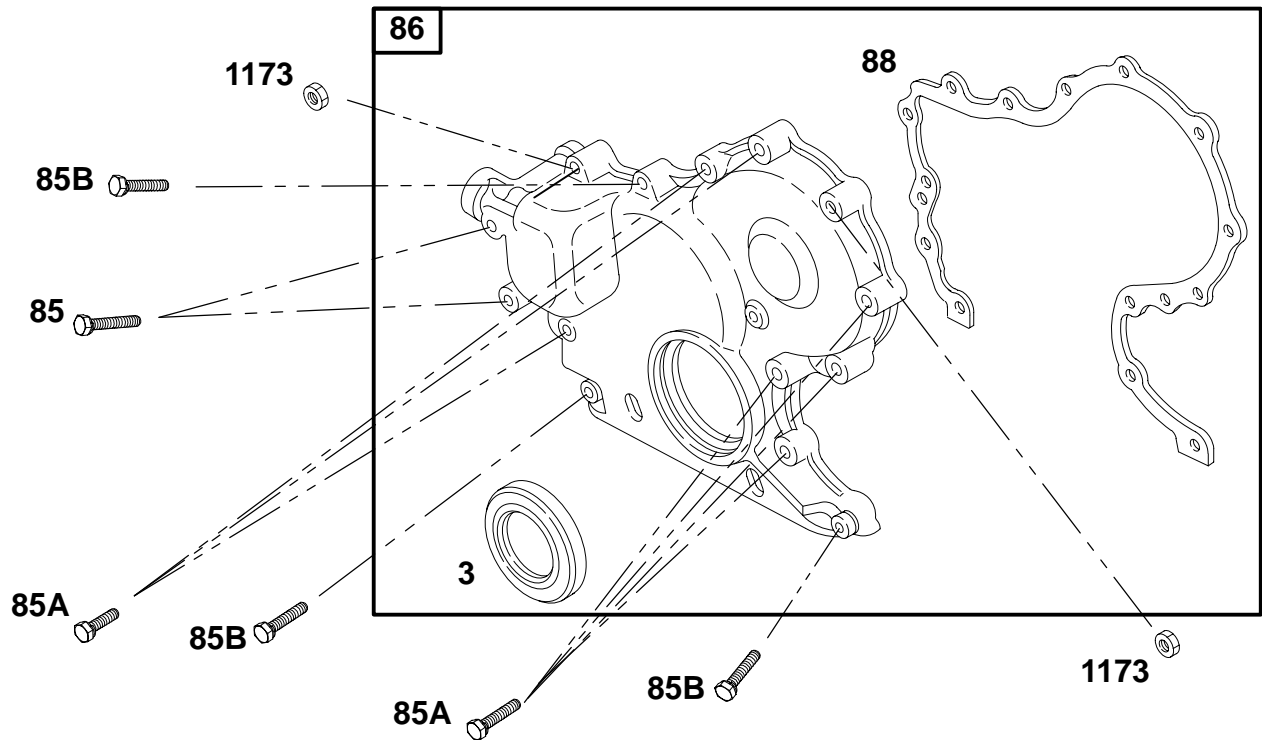
437400



REF. NO.	PART NO.	DESCRIPTION	REF. NO.	PART NO.	DESCRIPTION	REF. NO.	PART NO.	DESCRIPTION
15	825278	Plug—Oil Drain (16 mm)	479	820034	Screw (Oil Pump Screen)	1017	825089	Screen—Oil Pump
276B	★820582	Sealing—Washer (Oil Drain Plug) (16 mm)	848	820069	Nut (Oil Pump Screen)	1039	820034	Screw (Oil Pan)
			941	820017	Stud (Oil Pan)	1041	★820104	Gasket—Oil Strainer
			952	820068	Nut (Oil Pan)	1078	★820137	Gasket—Oil Pan
						1088	825285	Pan—Oil (Dual Drain) (16 mm)

★ Engine Gasket Set – Reference 358
 ◆ Carburetor Overhaul Kit – Reference 121

△ Valve Gasket Set – Reference 1095

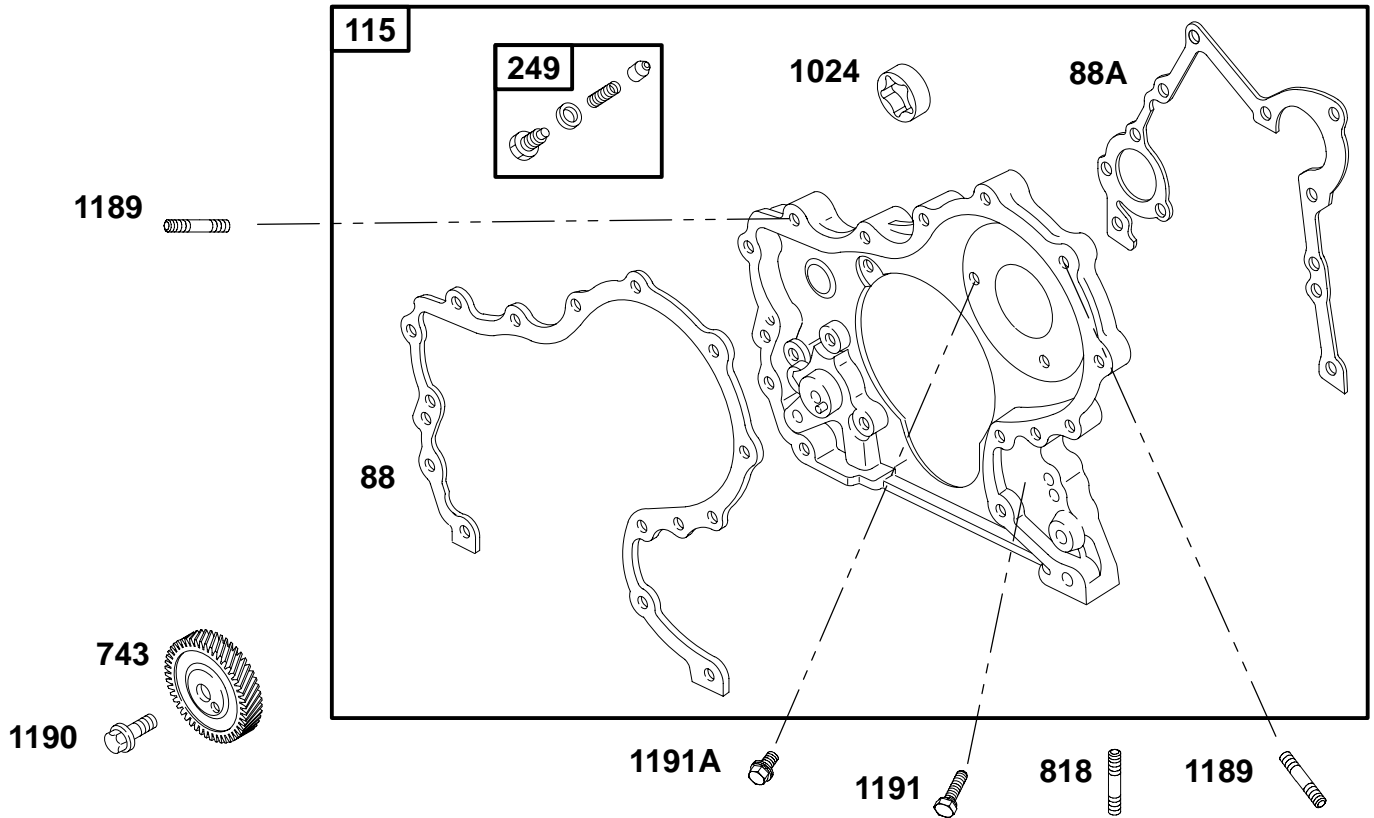


REF. NO.	PART NO.	DESCRIPTION	REF. NO.	PART NO.	DESCRIPTION	REF. NO.	PART NO.	DESCRIPTION
3	★821071	Seal—Oil (Magneto Side)	85	820026	Screw (Gear Cover to Gear Reduction Case)	86	825119	Cover—Gear
			85A	820029	Screw (Gear Cover to Gear Reduction Case)	88	★820148	Gasket—Gear Reduction Cover
			85B	820027	Screw (Gear Cover to Gear Reduction Case)	1173	820069	Nut (Gear Cover)

★ Engine Gasket Set – Reference 358
 ◆ Carburetor Overhaul Kit – Reference 121

△ Valve Gasket Set – Reference 1095

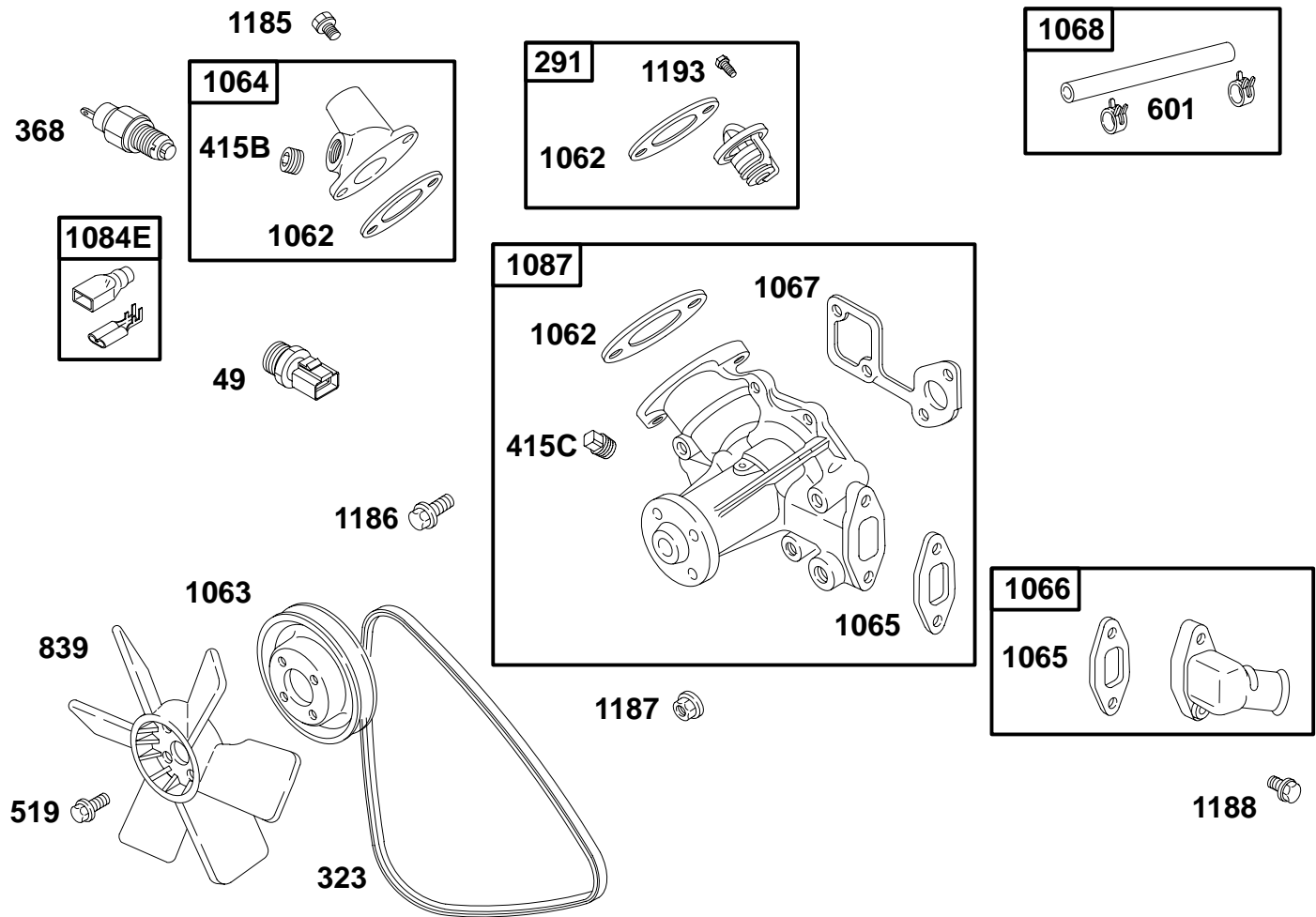
437400



REF. NO.	PART NO.	DESCRIPTION	REF. NO.	PART NO.	DESCRIPTION	REF. NO.	PART NO.	DESCRIPTION
88	★820148	Gasket–Gear Reduction Cover	743	820615	Gear–Drive (Used After Code Date 99063000). Used on Type No(s). 0205, 0305.	818	820016	Stud (Oil Pump Screen)
88A	★820155	Gasket–Gear Reduction Cover				1024		Pump–Oil (Sold in Gear Housing Only, Reference 115)
115	825120	Housing–Gear				1189	820156	Stud (Gear Housing)
249	825032	Valve–Oil Relief				1190	820180	Screw (Oil Pump Drive Gear)
						1191	820030	Screw (Gear Housing)
						1191A	820033	Screw (Gear Housing)

★ Engine Gasket Set – Reference 358
 ◆ Carburetor Overhaul Kit – Reference 121

△ Valve Gasket Set – Reference 1095

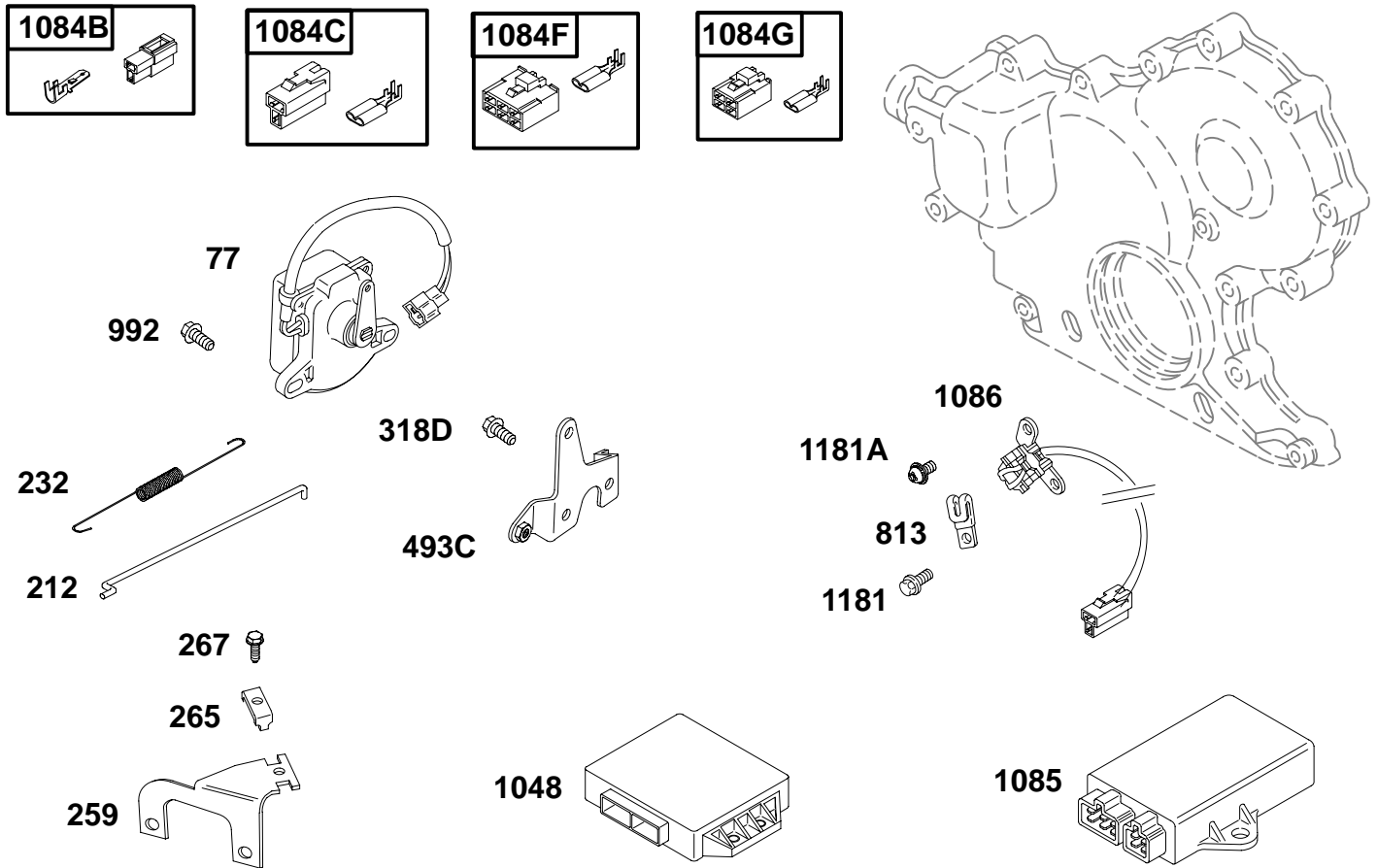


REF. NO.	PART NO.	DESCRIPTION	REF. NO.	PART NO.	DESCRIPTION	REF. NO.	PART NO.	DESCRIPTION
49	820590	Sensor–Water Temperature	839	820096	Fan–Radiator	1185	820031	Screw (Outlet Housing)
291	825064	Thermostat	1062	★820093	Gasket–Outlet Housing	1186	820022	Screw (Water Pump)
323	820239	Belt–Vee	1063	820095	Pulley–Pump	1187	820181	Nut (Water Pump)
368	820208	Switch–Water Temperature	1064	825074	Housing–Outlet	1188	820031	Screw (Inlet Housing)
415B	820052	Plug (Outlet Housing)	1065	★820098	Gasket–Inlet Housing	1193	820185	Screw (Thermostat)
415C	820182	Plug (Water Pump)	1066	825051	Housing–Inlet			
519	820034	Screw (Radiator Fan)	1067	★820100	Gasket–Water Pump			
601	820045	Clamp–Hose	1068	825045	Hose/Clamp Assembly			
			1084E	825160	Connector–Terminal			
			1087	825275	Pump–Water			

★ Engine Gasket Set – Reference 358
 ◆ Carburetor Overhaul Kit – Reference 121

△ Valve Gasket Set – Reference 1095

437400

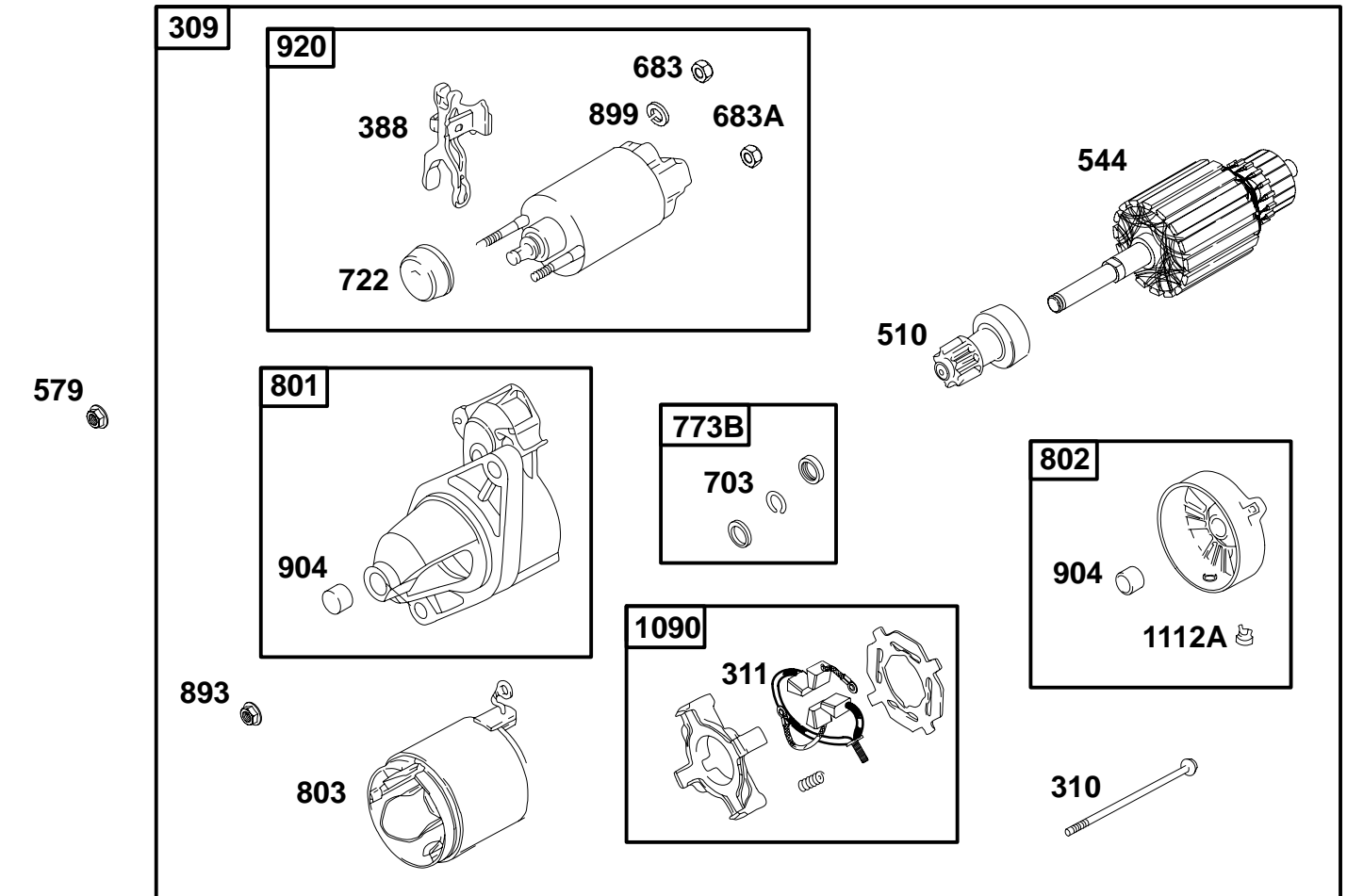


REF. NO.	PART NO.	DESCRIPTION	REF. NO.	PART NO.	DESCRIPTION	REF. NO.	PART NO.	DESCRIPTION
77	820209	Motor-Servo	1048	825284	Module-Electronic Governor (Diode and Instructions Included)	1085	825236	Module-Ignition
212	820226	Link-Throttle	1084B	825156	Connector-Terminal	1086	825009	Trigger-Ignition
232	820227	Spring-Governor Link	1084C	825157	Connector-Terminal	1181	820029	Screw (Ignition Trigger)
259	820224	Bracket-Casing Clamp	1084F	825162	Connector-Terminal	1181A	820013	Screw (Ignition Trigger)
265	691024	Clamp-Casing	1084G	825163	Connector-Terminal			
267	820229	Screw (Casing Clamp)						
318D	820034	Screw (Mounting Bracket)						
493C	820876	Bracket-Mounting						
813	820047	Clamp						
992	820228	Screw (Servo Motor)						

★ Engine Gasket Set – Reference 358
 ◆ Carburetor Overhaul Kit – Reference 121

△ Valve Gasket Set – Reference 1095

0.8 KW RED LABEL



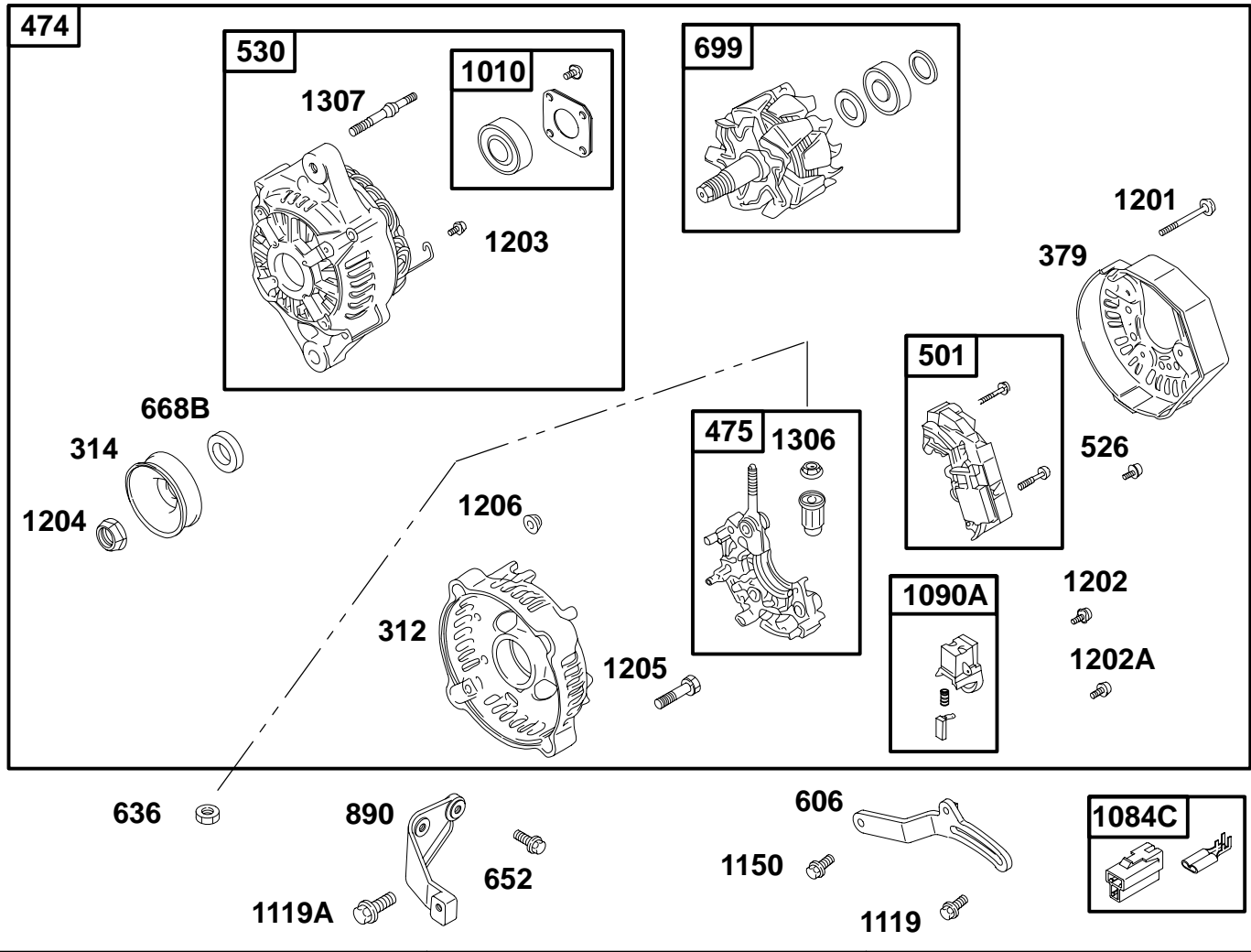
REF. NO.	PART NO.	DESCRIPTION	REF. NO.	PART NO.	DESCRIPTION	REF. NO.	PART NO.	DESCRIPTION
309	825095	Motor-Starter (0.8 KW)	683	820813	Nut (Starter Solenoid) (Terminal)	802	825416	Cap-End
310	820807	Screw (Starter Motor)	683A	820809	Nut (Starter Solenoid) (Terminal)	803	820783	Housing-Starter
311	825411	Brush Set	703	820803	Clip	893	820805	Nut (Solenoid)
388	820799	Lever-Pinion Drive	722	820801	Seal-Plunger	899	820811	Washer (Terminal)
510	820789	Drive-Starter	773B	825420	Retainer	904	820793	Bearing-Needle
544	825414	Armature-Starter	801	820791	Cap-Drive	920	825418	Solenoid-Starter
579	820067	Nut (Starter Cable)				1090	825412	Retainer-Brush
						1112A	820797	Plug-Vent

★ Engine Gasket Set – Reference 358
 ◆ Carburetor Overhaul Kit – Reference 121

△ Valve Gasket Set – Reference 1095

437400

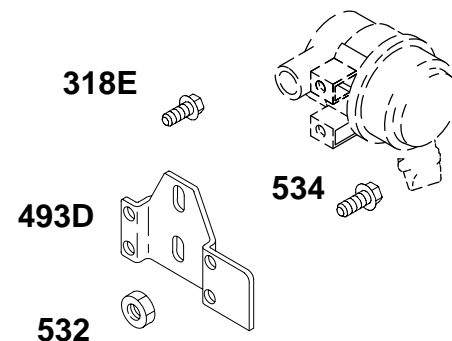
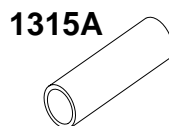
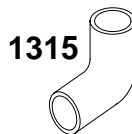
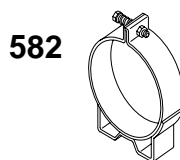
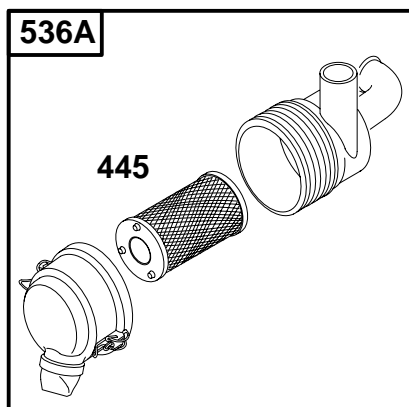
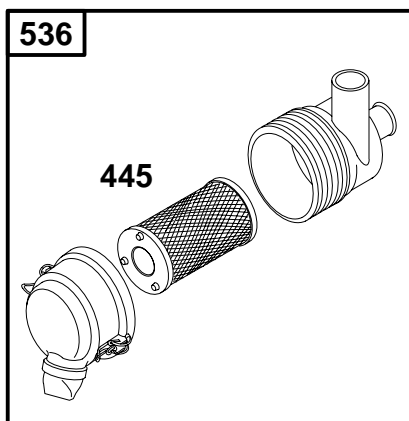
40 AMP



REF. NO.	PART NO.	DESCRIPTION	REF. NO.	PART NO.	DESCRIPTION	REF. NO.	PART NO.	DESCRIPTION
312	820692	Housing-Brush End	890	820213	Bracket-Support	1201	820715	Screw (Brush Cover)
314	820711	Pulley-Alternator	1010	825384	Retainer-Bearing	1202	820701	Screw (Brush Retainer)
379	820703	Cover-Brush	1084C	825157	Connector-Terminal	1202A	820702	Screw (Brush Retainer)
474	825084	Alternator (40 Amp)	1090A	825387	Retainer-Brush	1205	820707	Screw (Brush End Housing)
475	825385	Rectifier	1119	820483	Screw (Alternator)	1206	820709	Nut (Brush End Housing)
501	825388	Regulator	1119A	820270	Screw (Alternator)	1306	820781	Nut (Rectifier)
526	820702	Screw (Regulator)	1150	820023	Screw (Adjusting Strap)	1307	820690	Stud (Alternator)
530	825383	Housing-Drive End						
606	820819	Strap-Adjusting						
636	820069	Nut (Starting Switch)						
652	820275	Screw (Support Bracket)						
668B	820713	Spacer (Alternator)						
699	825390	Rotor Assembly						

★ Engine Gasket Set - Reference 358
 ◆ Carburetor Overhaul Kit - Reference 121

△ Valve Gasket Set - Reference 1095

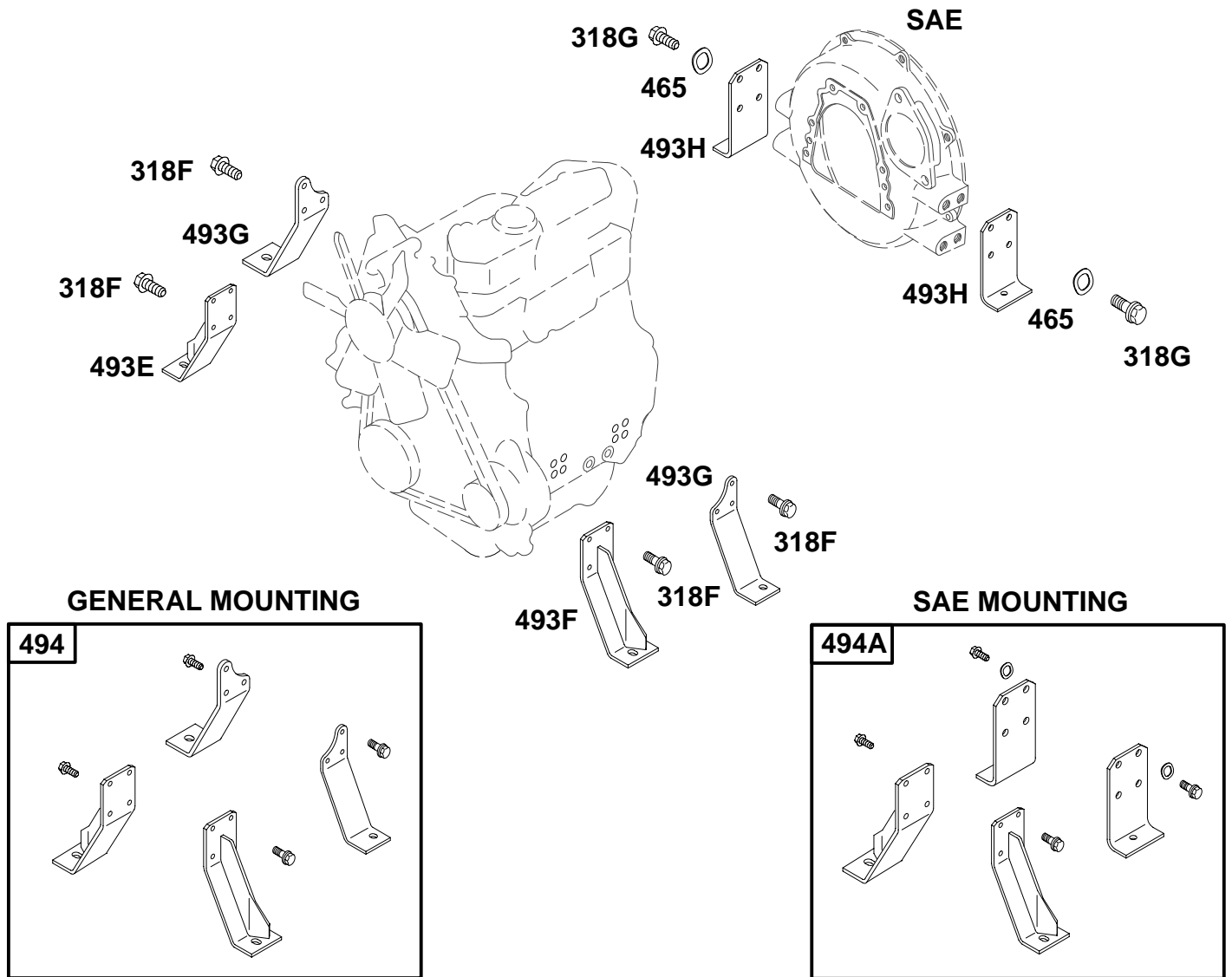


REF. NO.	PART NO.	DESCRIPTION	REF. NO.	PART NO.	DESCRIPTION	REF. NO.	PART NO.	DESCRIPTION
318E	820212	Screw (Mounting Bracket)	534	820273	Screw (Air Cleaner)	1315	820231	Hose-Air Cleaner
445	820263	Filter-Air Cleaner Cartridge	536	825117	Cleaner-Air (With Vacuum Adaptor)	1315A	820262	Hose-Air Cleaner
493D	820195	Bracket-Mounting (Air Cleaner)	536A	825118	Cleaner-Air (90 Degree Elbow With Vacuum Adaptor)	1315B	820556	Hose-Air Cleaner
532	820070	Nut (Mounting Bracket)	582	820230	Clamp-Air Cleaner			

★ Engine Gasket Set – Reference 358
◆ Carburetor Overhaul Kit – Reference 121

△ Valve Gasket Set – Reference 1095

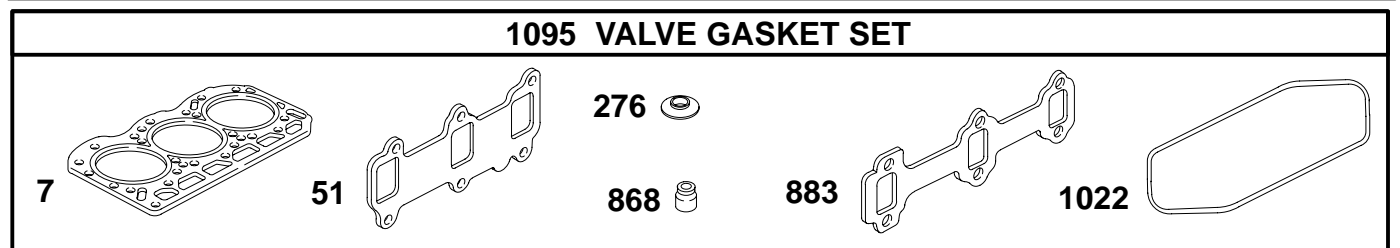
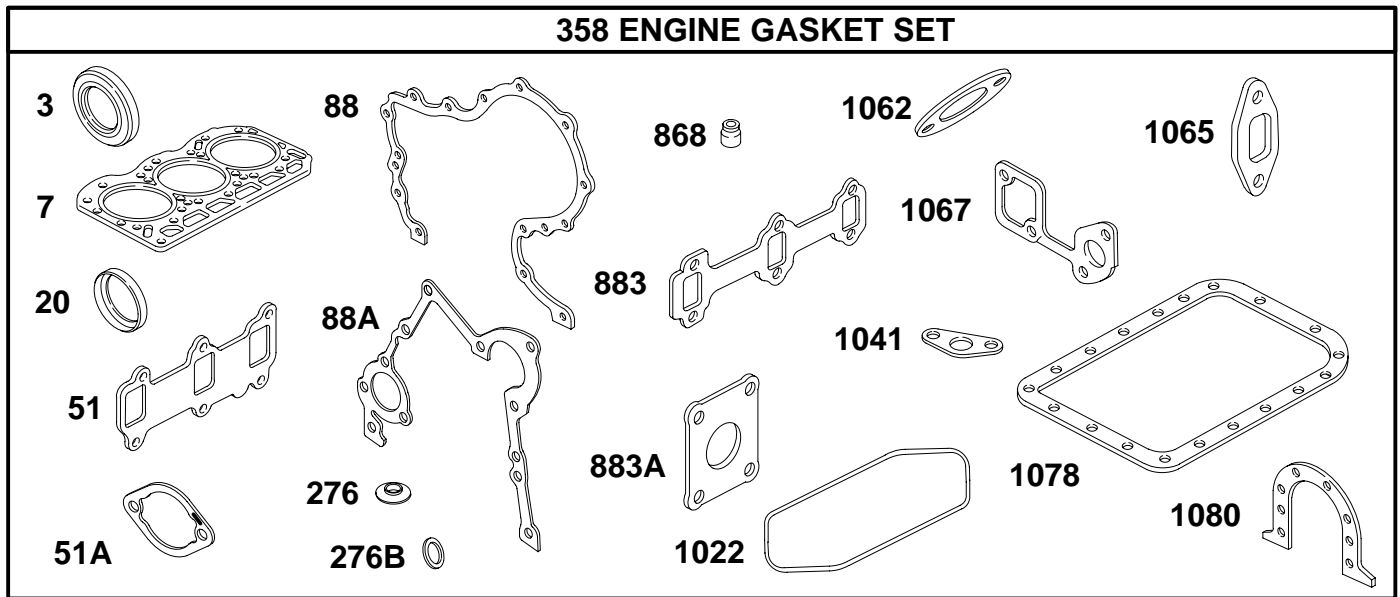
437400



REF. NO.	PART NO.	DESCRIPTION	REF. NO.	PART NO.	DESCRIPTION	REF. NO.	PART NO.	DESCRIPTION
318F	820676	Screw (Mounting Bracket) (Used With Engine Mounts Only)	465	820449	Washer (Mounting Bracket)	494	825214	Mount-Engine (General Mounting)
		Note	493E	820835	Bracket-Mounting (Right Front) (General and SAE)	494A	825215	Mount-Engine (SAE Mounting)
		820023 Screw (Mounting Bracket) (Use Only When Front Engine Mounts And Radiator Brackets Are Installed)	493F	820832	Bracket-Mounting (Left Front) (General and SAE)			
318G	820306	Screw (Mounting Bracket)	493G	820833	Bracket-Mounting (Rear General)			
			493H	820834	Bracket-Mounting (Rear SAE)			

★ Engine Gasket Set – Reference 358
 ◆ Carburetor Overhaul Kit – Reference 121

△ Valve Gasket Set – Reference 1095



REF. NO.	PART NO.	DESCRIPTION	REF. NO.	PART NO.	DESCRIPTION	REF. NO.	PART NO.	DESCRIPTION
3	★820055	Seal—Oil (Magneto Side)	276	★△820064	Washer—Sealing (Rocker Cover)	1022	★△820150	Gasket—Rocker Cover
7	★△820650	Gasket—Cylinder Head	276B	★820582	Washer—Sealing (Oil Drain Plug) (16 mm)	1041	★820104	Gasket—Oil Strainer
20	★820056	Seal—Oil (PTO Side)	358	825378	Gasket Set—Engine	1062	★820093	Gasket—Outlet Housing
51	★△820087	Gasket—Intake (Intake Manifold)	868	★△820041	Seal—Valve	1065	★820098	Gasket—Inlet Housing
51A	★◆820385	Gasket—Intake	883	★△820817	Gasket—Exhaust (Exhaust Manifold)	1067	★820100	Gasket—Water Pump
88	★820148	Gasket—Gear Reduction Cover	883A	★821001	Gasket—Exhaust (Muffler)	1078	★820137	Gasket—Oil Pan
88A	★820155	Gasket—Gear Reduction Cover				1080	★820145	Gasket—Seal Retainer
						1095	825379	Gasket Set—Valve

★ Engine Gasket Set – Reference 358
 ◆ Carburetor Overhaul Kit – Reference 121

△ Valve Gasket Set – Reference 1095

437400

1019



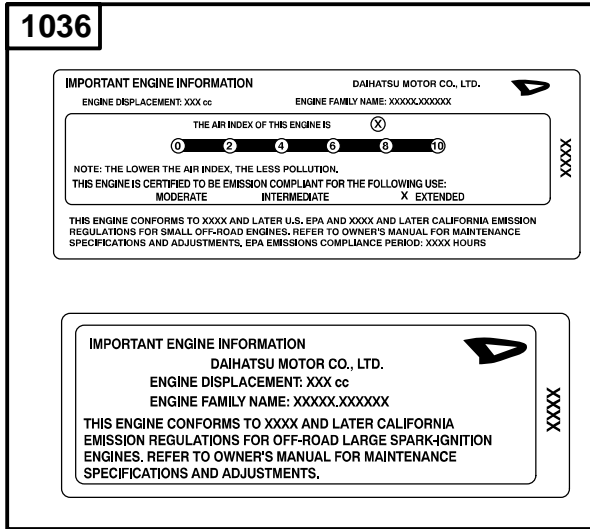
1040



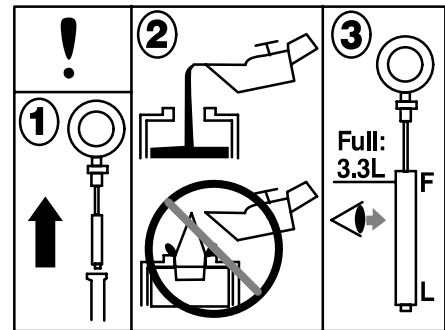
1058 OPERATOR'S MANUAL

1330 REPAIR MANUAL

1036



1319



REF. NO.	PART NO.	DESCRIPTION	REF. NO.	PART NO.	DESCRIPTION	REF. NO.	PART NO.	DESCRIPTION
1019	820289	Kit-Label	1036	825620	Label-Emissions (Used After Code Date 01073100). ————— Note ————— 825623 Label-Emissions (Used After Code Date 99123100 and Before Code Date 01080100). 825281 Label Emissions (Used Before Code Date 00010100).	1040	820290	Plate-Trim
						1058	820883	Operator's Manual
						1319	820891	Label-Warning
						1330	MS0750	Repair Manual

★ Engine Gasket Set – Reference 358
◆ Carburetor Overhaul Kit – Reference 121

△ Valve Gasket Set – Reference 1095

For Briggs & Stratton Discount Parts Call 606-678-9623 or 606-561-4983

