

# 42E700

## Illustrated Parts List

### Model Series

# 42E700

TYPE NUMBERS  
1280 through 2631.

For Use On Engines Built Before Date Code – 02050900

### TABLE OF CONTENTS

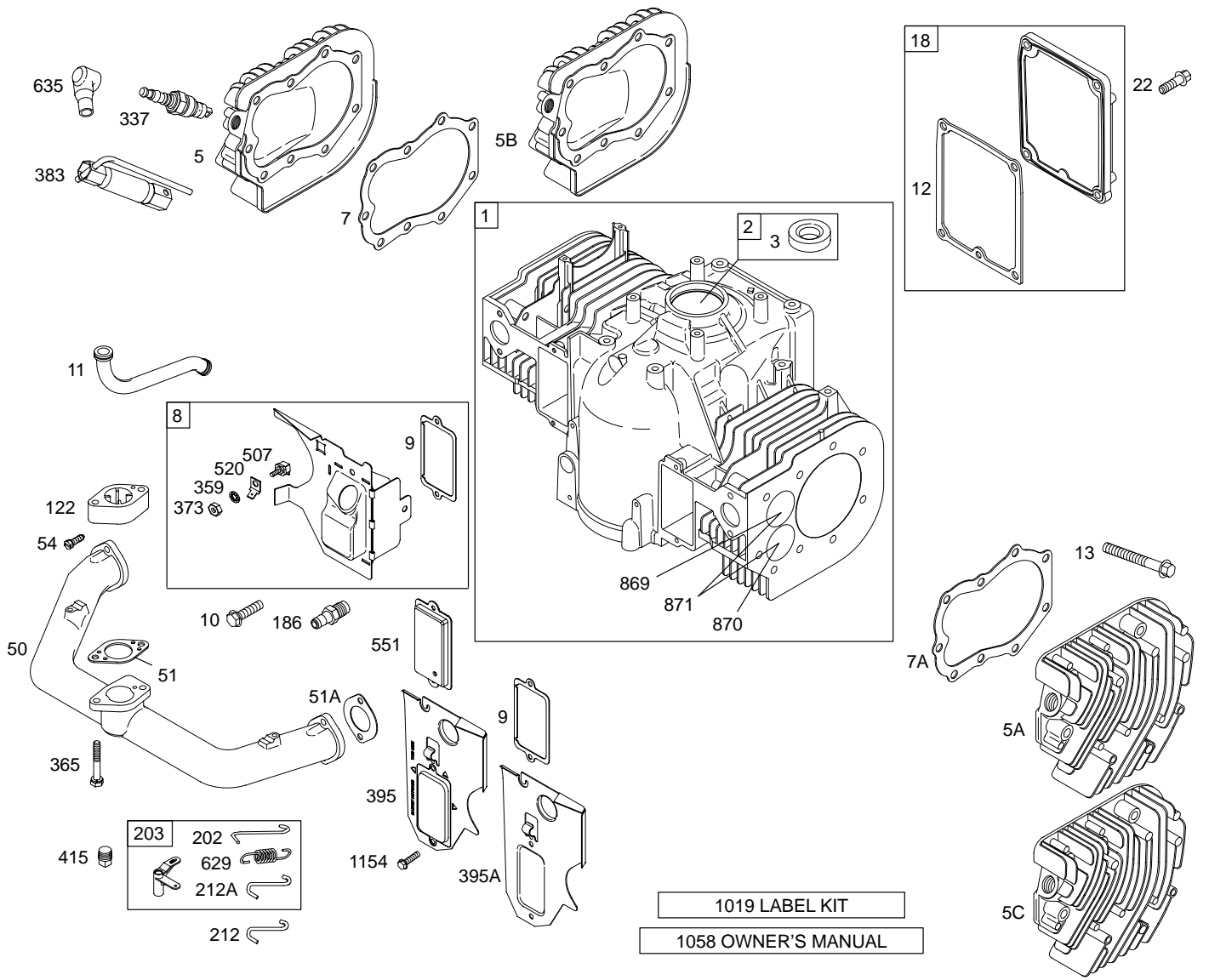
Air Cleaner .....	9
Alternator .....	8
Blower Housing/Shrouds .....	10
Cam .....	3
Carburetor .....	6
Carburetor .....	7
Controls .....	8
Crankcase Cover/Cylinder .....	2
Crankshaft .....	3
Electric Starter .....	12
Flywheel .....	11
Head .....	2
Kit/Gasket Sets – Carburetor .....	6
Kit/Gasket Sets – Engine .....	2
Kit/Gasket Sets – Fuel Pump .....	6
Kit/Gasket Sets – Valve .....	2
Muffler .....	9
Oil .....	4
Piston .....	3
Sump .....	5
Valves .....	3



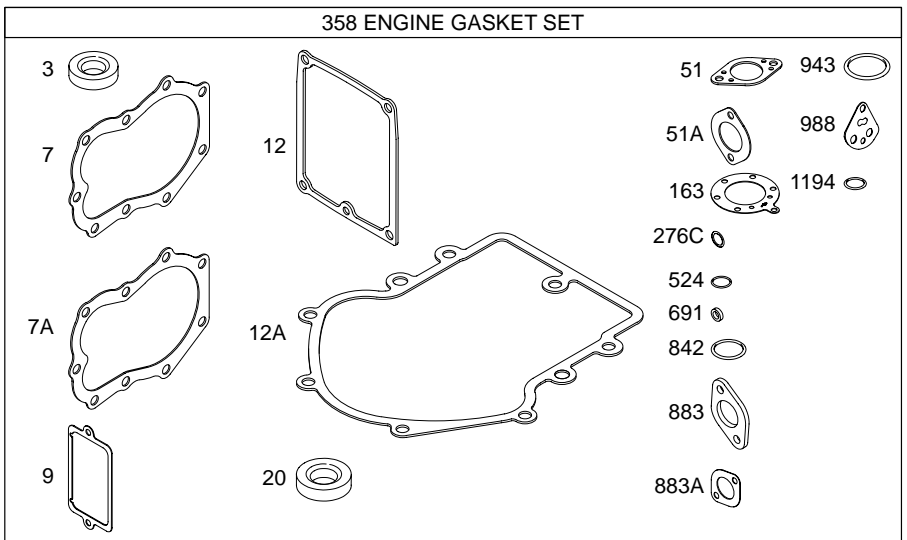
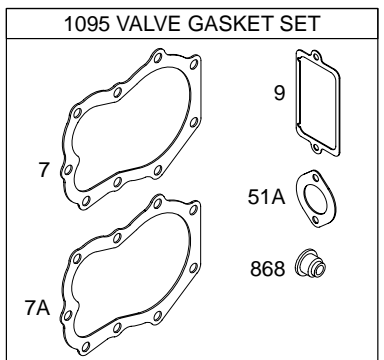
PRINTED IN U.S.A.

COPYRIGHT by BRIGGS & STRATTON CORPORATION  
 All rights reserved. No part of this material may be reproduced or transmitted, in any form or by any means, electronic or mechanical, including photocopying, recording or by any information storage and retrieval system, without permission in writing from Briggs & Stratton Corporation.

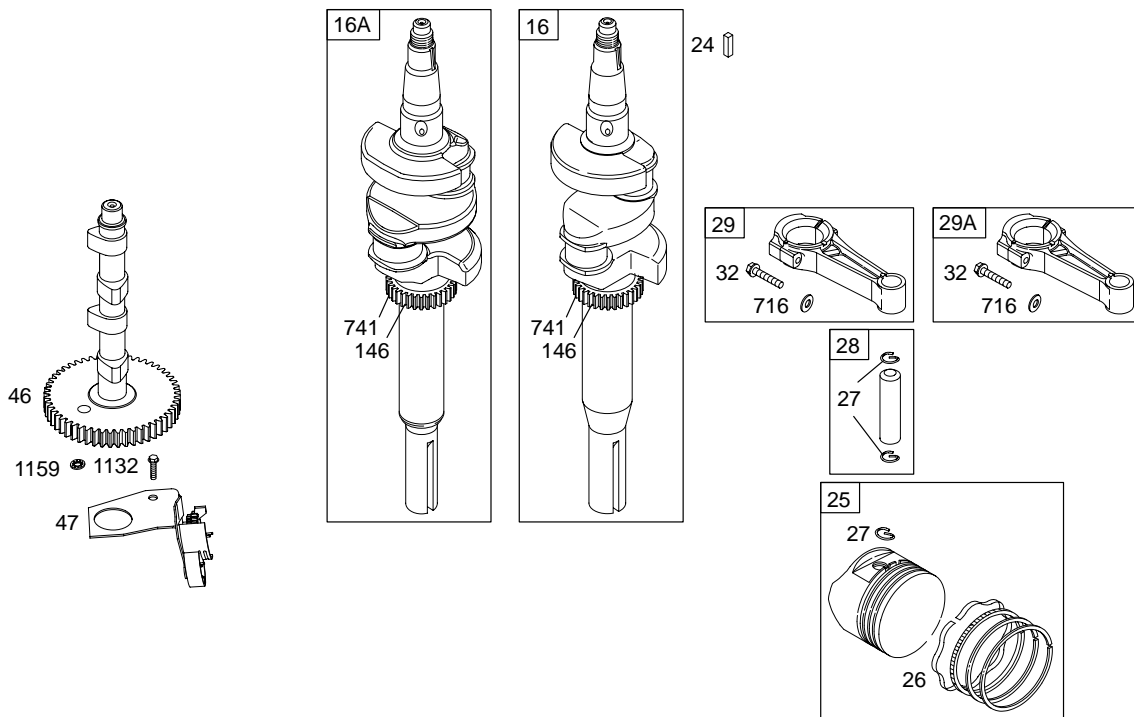
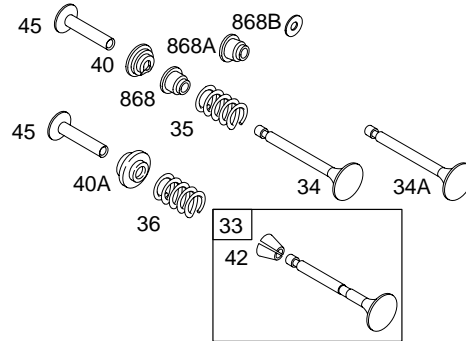
# 42E700



1019 LABEL KIT  
1058 OWNER'S MANUAL

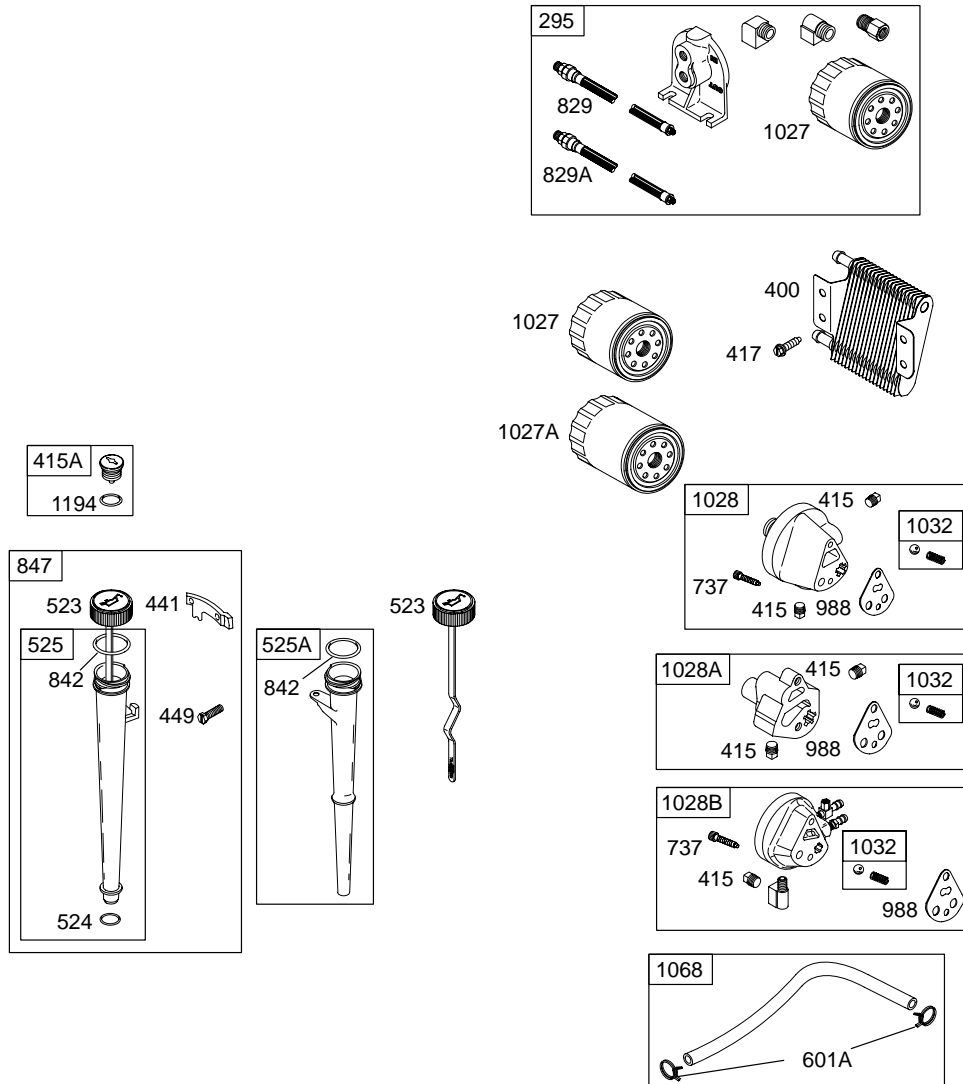


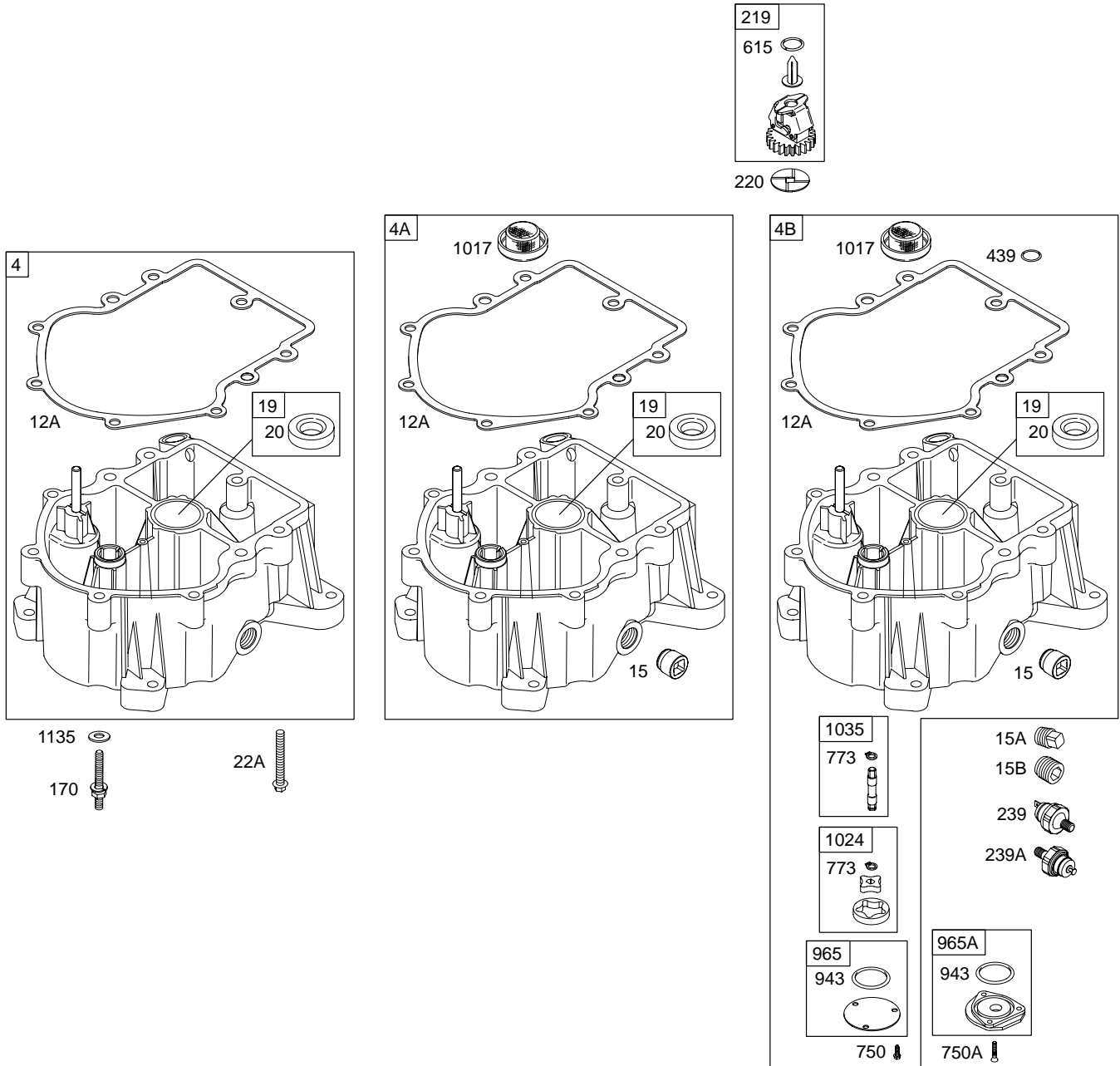
Illustrations cover a range of engines. Parts shown without corresponding text may not be used on your specific engine.  
1102-2 Assemblies include all parts shown in frames. 5C-6/2002



Illustrations cover a range of engines. Parts shown without corresponding text may not be used on your specific engine.  
 1102-3 Assemblies include all parts shown in frames. 5C-6/2002

# 42E700

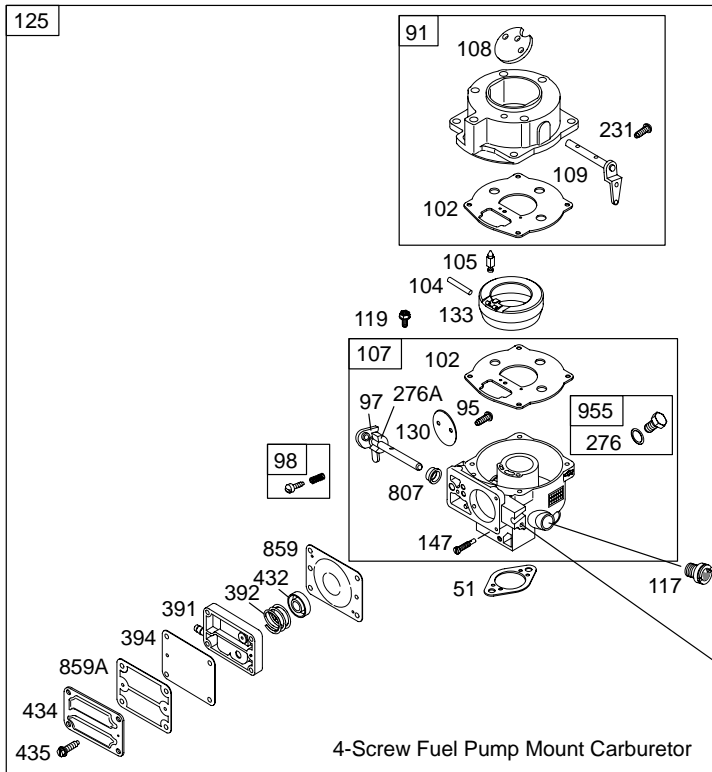




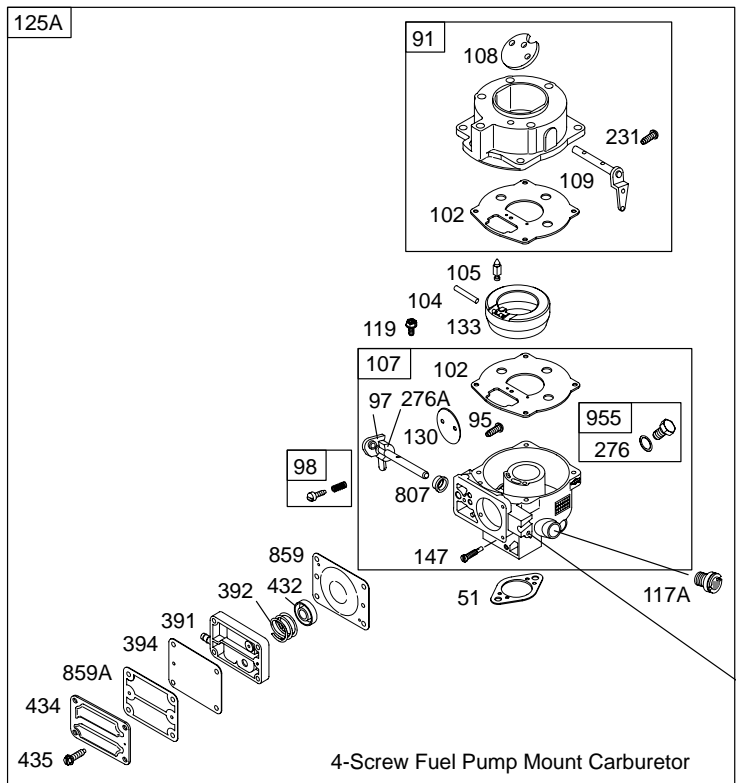
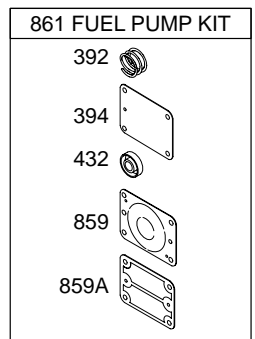
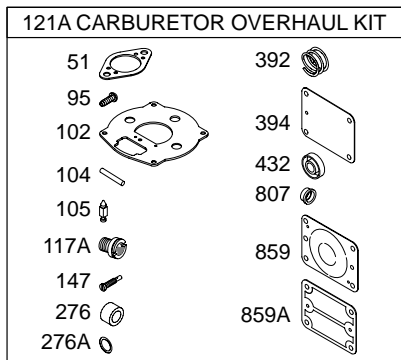
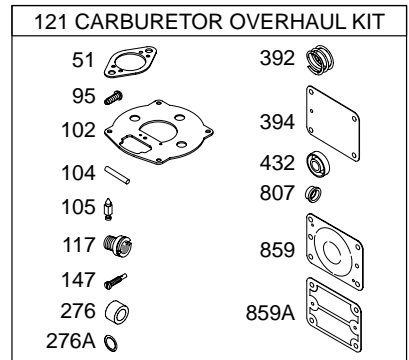
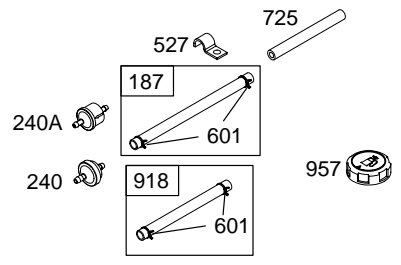
1102-5 *Illustrations cover a range of engines. Parts shown without corresponding text may not be used on your specific engine.* Assemblies include all parts shown in frames. 5C-6/2002

# 42E700

**SEE ADDITIONAL PAGES FOR MORE CARBURETOR INFORMATION**

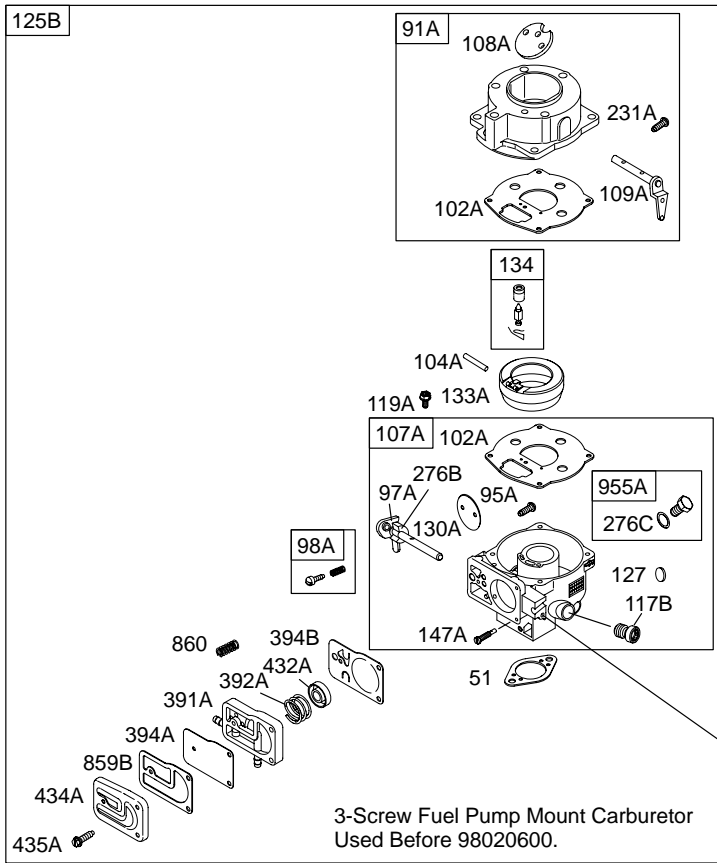


- Model 4607**
- Model 4617**
- Model 4627**
- Model 4637**



- Model 42A7**
- Model 42B7**
- Model 42D7**
- Model 42E7**
- Model 4227**

Illustrations cover a range of engines. Parts shown without corresponding text may not be used on your specific engine.  
 1102-6 Assemblies include all parts shown in frames. 5C-6/2002



Model 42A7

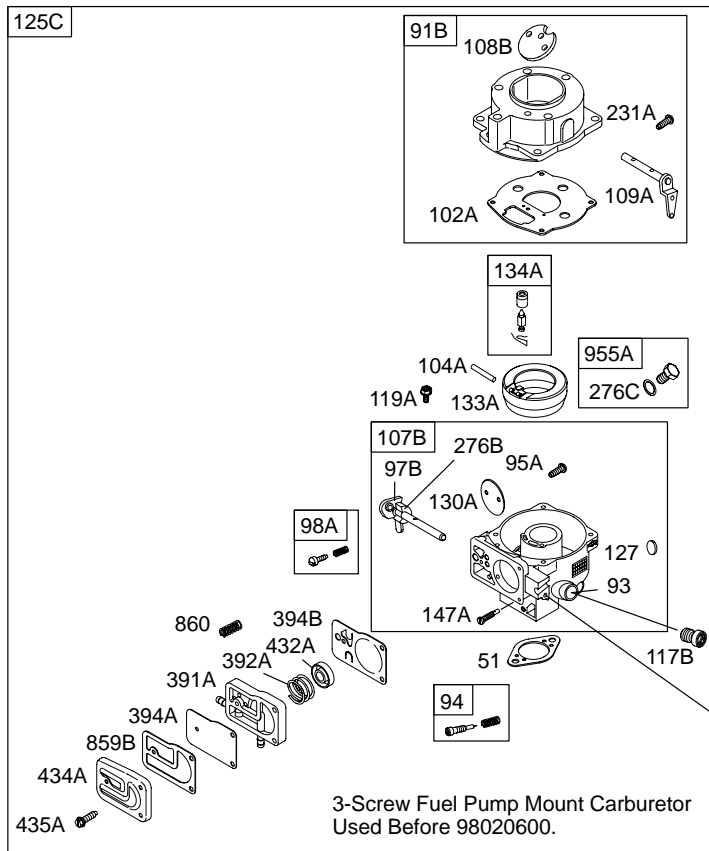
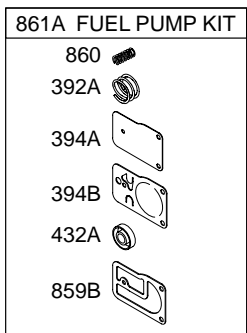
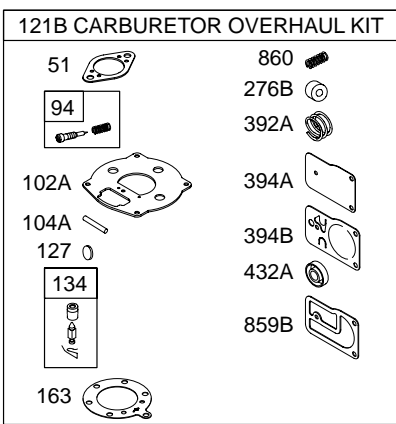
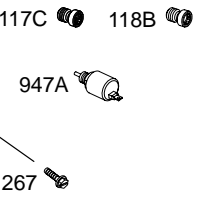
Model 42B7

Model 42D7

Model 42E7

Model 4227

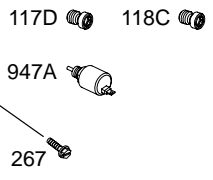
3-Screw Fuel Pump Mount Carburetor  
Used Before 98020600.



Model 4607

Model 4617

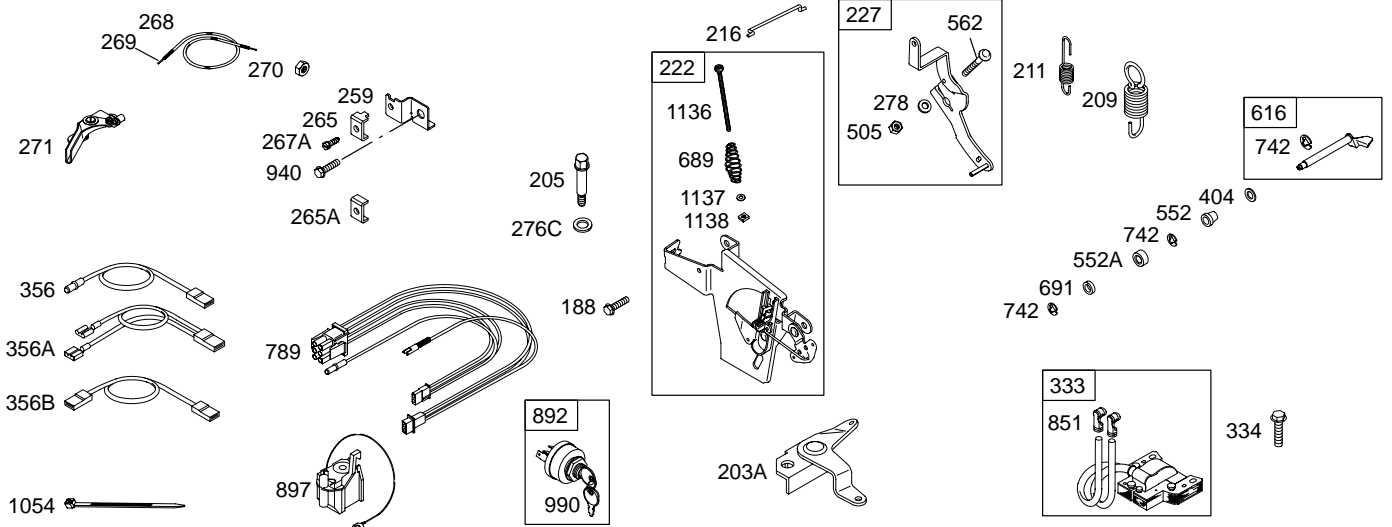
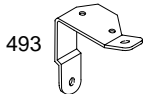
3-Screw Fuel Pump Mount Carburetor  
Used Before 98020600.



1102-7 Illustrations cover a range of engines. Parts shown without corresponding text may not be used on your specific engine. Assemblies include all parts shown in frames. 5C-6/2002

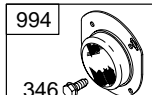
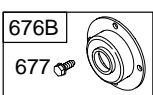
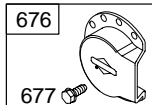
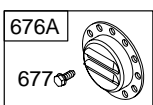
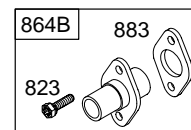
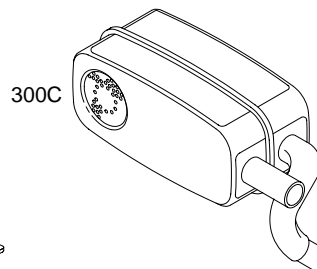
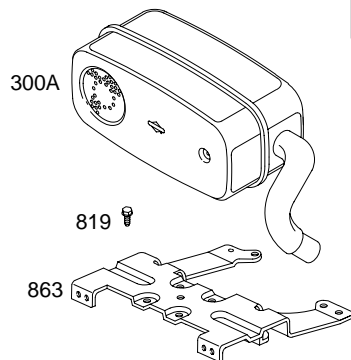
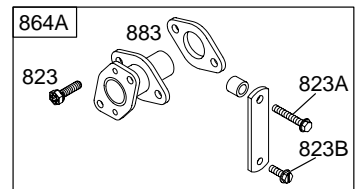
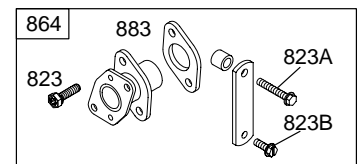
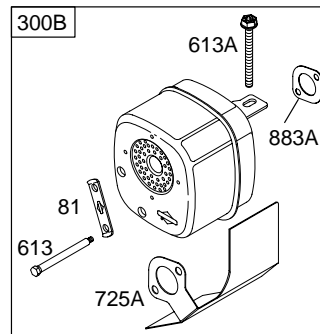
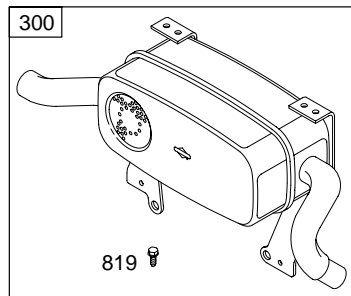
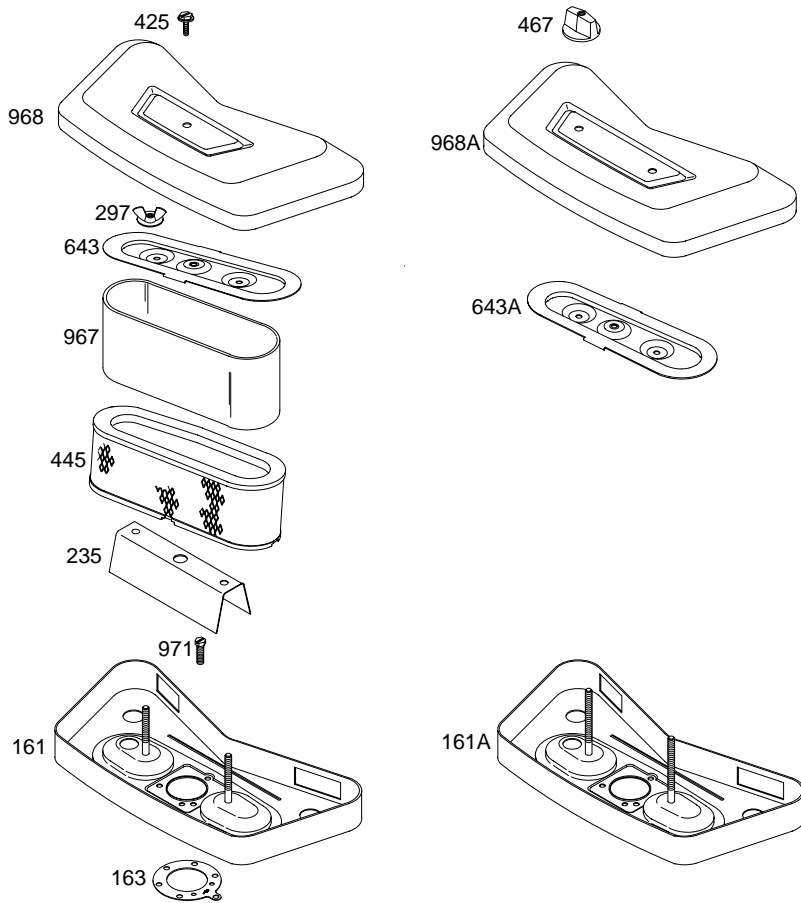
# 42E700

AC ONLY	DC ONLY	DUAL CIRCUIT	TRI CIRCUIT	9 AMP	10 AMP	16 AMP
474	474A	474B	474C	474C	474D	474D
	877A 	877 	877B 	877B 	877C 	877C 
578 	578 	878 	878A 	578 	578 	578 
<p><b>NOTE:</b> All Stators Use a No. 1119 Mounting Screw. </p> <p><b>NOTE:</b> The proper flywheel part number and/or the alternator magnet size will determine the alternator type or output. See repair instruction manual for additional information.</p>				526A 501A 	526 501 	



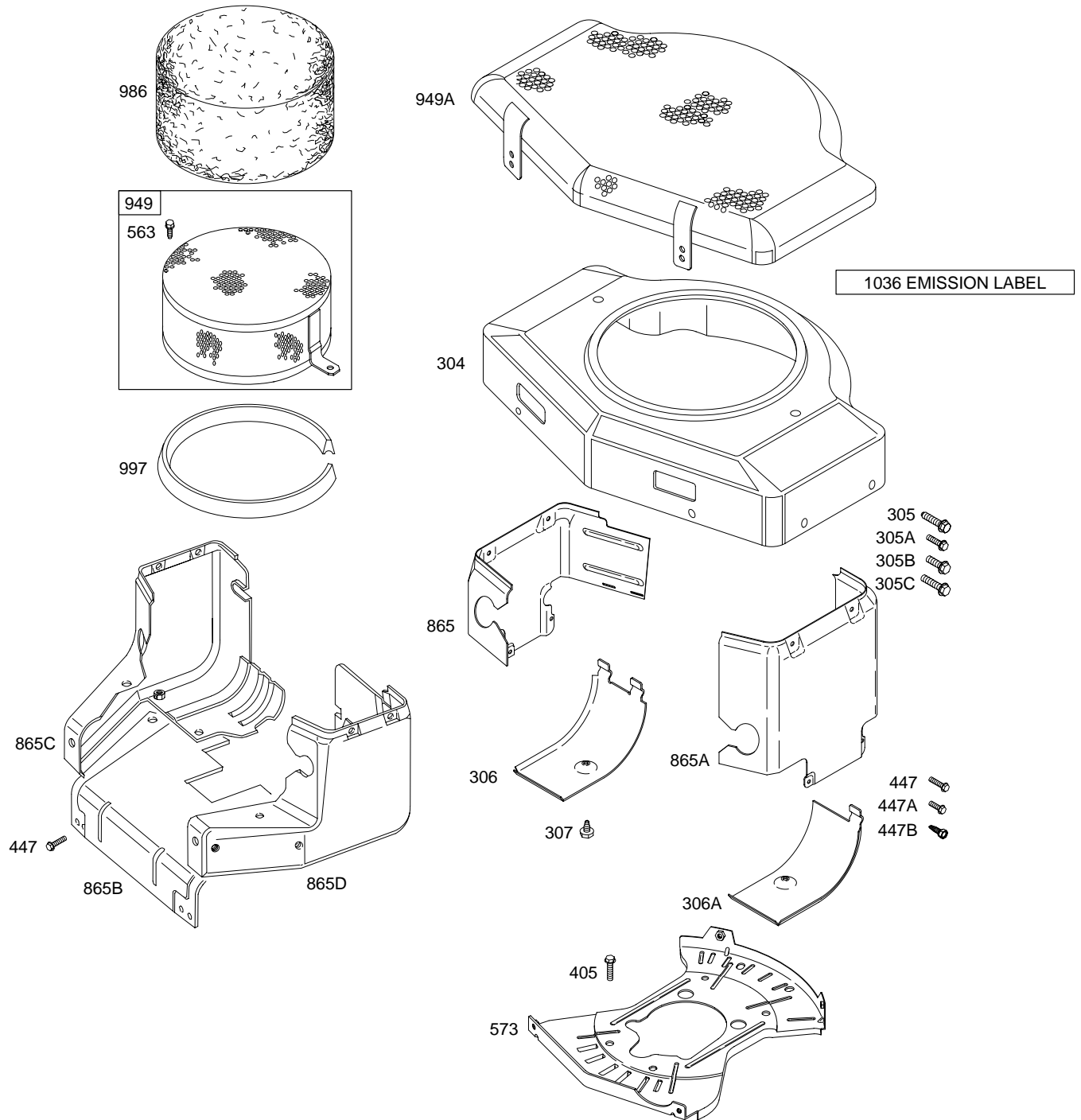
Illustrations cover a range of engines. Parts shown without corresponding text may not be used on your specific engine.  
 1102-8 Assemblies include all parts shown in frames. 5C-6/2002



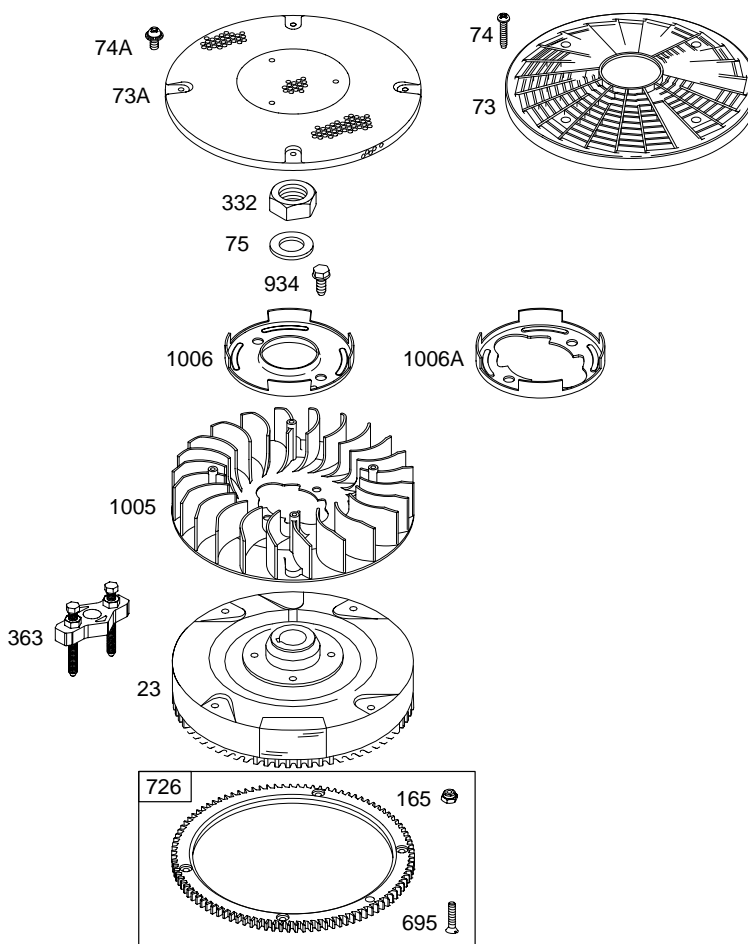


1102-9 *Illustrations cover a range of engines. Parts shown without corresponding text may not be used on your specific engine.* Assemblies include all parts shown in frames. 5C-6/2002

# 42E700



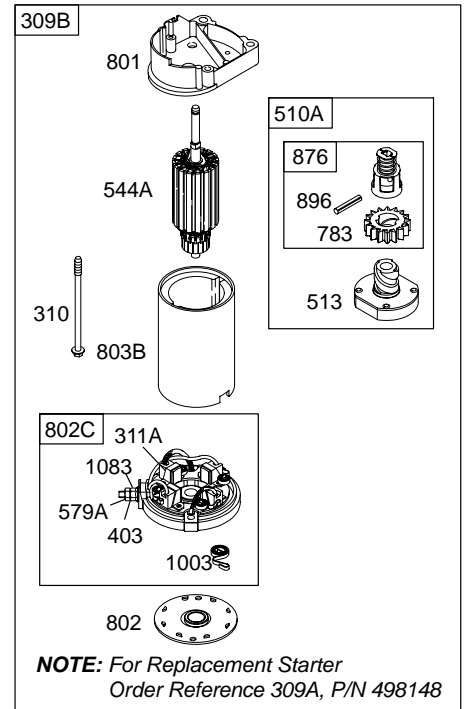
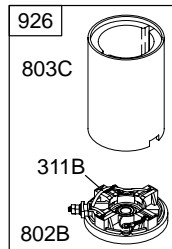
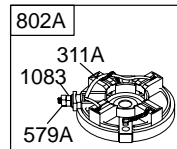
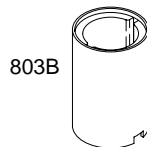
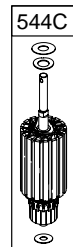
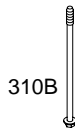
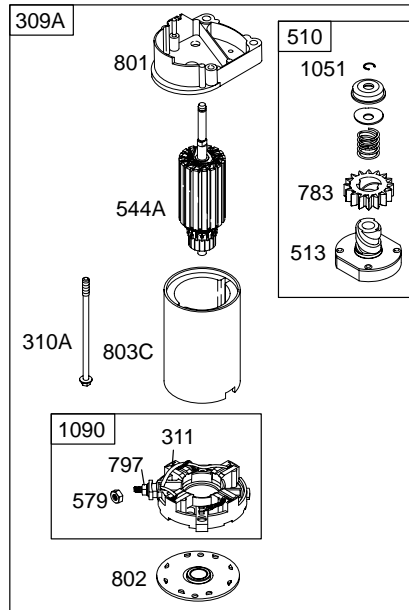
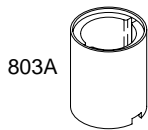
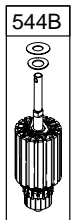
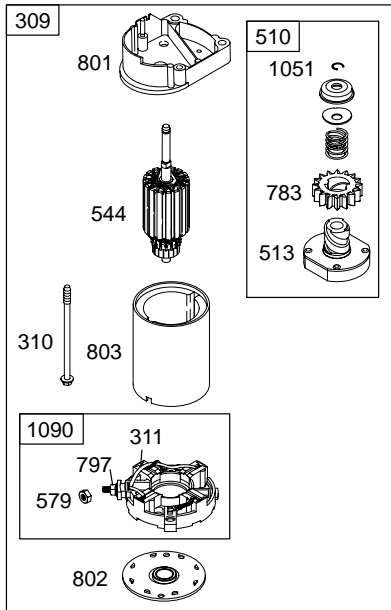
1102-10 *Illustrations cover a range of engines. Parts shown without corresponding text may not be used on your specific engine.* Assemblies include all parts shown in frames. 5C-6/2002



1102-11 *Illustrations cover a range of engines. Parts shown without corresponding text may not be used on your specific engine.* Assemblies include all parts shown in frames. 5C-6/2002

# 42E700

697 



Illustrations cover a range of engines. Parts shown without corresponding text may not be used on your specific engine.  
1102-12 Assemblies include all parts shown in frames. 5C-6/2002

REF. NO.	PART NO.	DESCRIPTION	REF. NO.	PART NO.	DESCRIPTION	REF. NO.	PART NO.	DESCRIPTION
1	498583	Cylinder Assembly	15	691680	Plug—Oil Drain (1/2" Square Flush)	27	691299	Lock—Piston Pin (Used After Code Date 95101400).
2	399265	Kit—Bushing/Seal (Magneto Side)	15A	690946	Plug—Oil Drain (3/8" Standard)			———— <b>Note</b> ———
3	★391086	Seal—Oil (Magneto Side)	16	690636	Crankshaft			<b>691792</b> Lock—Piston Pin (Used Before Code Date 95101500).
4	493304	Sump—Engine (Splash Lube) Used on Type No(s). 1631, 1831, 2275, 2631.			———— <b>Note</b> ——— <b>690784</b> Crankshaft Used on Type No(s). 1280, 1880, 2280.	28	498319	Pin—Piston (Standard) (Used After Code Date 95101400).
4A	692709	Sump—Engine (Pressure Lube) (Used After Code Date 98011100).	18	495901	Cover—Crankcase			———— <b>Note</b> ——— <b>299691</b> Pin—Piston (Standard) (Used Before Code Date 95101500).
4B	692710	Sump—Engine (Pressure Lube) (Used Before Code Date 98011200).	19	399264	Kit—Bushing/Seal (PTO Side)			
5	493457	Head—Cylinder (Cylinder 1)	20	★291675	Seal—Oil (PTO Side)			
5A	493458	Head—Cylinder (Cylinder 2)	22	691104	Screw (Crankcase Cover/Sump)			
7	★Ø271867	Gasket—Cylinder Head (Cylinder 1)	22A	693972	Screw (Crankcase Cover/Sump)			<b>498320</b> Pin— Piston (.005" Oversize) (Used After Code Date 95101400).
7A	★Ø271868	Gasket—Cylinder Head (Cylinder 2)	23	691976	Flywheel			<b>391286</b> Pin— Piston (.005" Oversize) (Used Before Code Date 95101500).
8	495754	Breather Assembly	24	222698	Key—Flywheel			
9	★Ø27803	Gasket—Breather	25	498584	Piston Assembly (Standard)			
10	690334	Screw (Breather Assembly)			———— <b>Note</b> ——— <b>498585</b> Pistol Assembly (.010" Oversize)	29	394306	Rod—Connecting (Standard)
11	691899	Tube—Breather			<b>498586</b> Piston Assembly (.020" Oversize)			———— <b>Note</b> ——— <b>397158</b> Rod— Connecting (.020" Undersize)
12	★692287	Gasket—Crankcase			<b>498587</b> Piston Assembly (.030" Oversize)	32	691133	Screw (Connecting Rod)
12A	★692292	Gasket—Crankcase (.015" Thick) (Standard)	26	394959	Ring Set (Standard)	33	691794	Valve—Exhaust
		———— <b>Note</b> ——— <b>★271188</b> Gasket— Crankcase (.005" Thick) <b>★271189</b> Gasket— Crankcase (.009" Thick)			———— <b>Note</b> ——— <b>394960</b> Ring Set (.010" Oversize) <b>394961</b> Ring Set (.020" Oversize) <b>394962</b> Ring Set (.030" Oversize)	34	691804	Valve—Intake
13	691651	Screw (Cylinder Head)				35	691605	Spring—Valve (Intake)
						36	691597	Spring—Valve (Exhaust)

★ Included in Engine Gasket Set—Ref. No. 358.

● Included in Carburetor Overhaul Kit—Ref. No. 121.

■ Included in Carburetor Gasket Set—Ref. No. 977.

Ø Included in Valve Gasket Set—Ref. No. 1095.

*Illustrations cover a range of engines. Parts shown without corresponding text may not be used on your specific engine.*

# 42E700

REF. NO.	PART NO.	DESCRIPTION	REF. NO.	PART NO.	DESCRIPTION	REF. NO.	PART NO.	DESCRIPTION
40	690656	Retainer-Valve (Intake)	97	693485	Shaft-Throttle	121	693503	Kit-Carburetor Overhaul
40A	691939	Retainer-Valve (Exhaust)	97A	691485	Shaft-Throttle			(Used On 4 Screw Fuel Pump Mount Carburetors)
42	494553	Keeper-Valve	97B	690629	Shaft-Throttle	121A	694056	Kit-Carburetor Overhaul
45	691800	Tappet-Valve	98	807923	Kit-Idle Speed			(Used On 3 Screw Fuel Pump Mount Carburetors)
46	214484	Camshaft	98A	693942	Kit-Idle Speed	122	691928	Spacer-Carburetor
		<b>Note</b>	102	693509	Gasket-Carburetor Body	125A	693480	Carburetor (4 Screw Fuel Pump Mount)
		691156 Camshaft	102A	273186	Gasket-Carburetor Body	125B		Carburetor (3 Screw Fuel Pump Mount) (Service With Reference 125A)
		Used on Type No(s). 1280, 1631.	104	693506	Pin-Float Hinge	127	691739	Plug-Welch
		692857 Camshaft	104A	691775	Pin-Float Hinge	130	693504	Valve-Throttle
		Used on Type No(s). 1880, 2280.	105	692078	Valve-Float Needle	130A	691727	Valve-Throttle
47	691964	Slinger-Oil	107	693482	Body-Lower Carburetor	133	693512	Float-Carburetor
50	691709	Manifold-Intake	107A	499655	Body-Lower Carburetor	133A	692265	Float-Carburetor
51	692278	Gasket-Intake	107B	491543	Body-Lower Carburetor	134	394682	Kit-Needle/Seat
51A	692219	Gasket-Intake	108	693505	Valve-Choke	146	691639	Key-Timing
54	93208	Screw (Intake Manifold)	108A	691233	Valve-Choke	147	693508	Jet-Pilot
73	691438	Screen-Rotating (Plastic)	109	693498	Shaft-Choke	147A	691431	Jet-Pilot
		Used on Type No(s). 1631, 1831, 2631.	109A	691957	Shaft-Choke	161	691401	Base-Air Cleaner (Metal)
73A	692527	Screen-Rotating (Steel)	117A	693507	Jet-Main (Standard)	163	690273	Gasket-Air Cleaner
74	691134	Screw (Rotating Screen)	117B	691773	Jet-Main (Standard)	165	693148	Nut (Ring Gear)
74A	691677	Screw (Rotating Screen)	117C	691253	Jet-Main (Standard)	170	691695	Stud (Crankcase Cover/Sump) (Used In Positions 1 and 7)
75	691056	Washer (Flywheel)	118A	693499	Jet-Main (High Altitude)			Used on Type No(s). 1280.
91	693483	Body-Upper Carburetor	118B	231333	Jet-Main (High Altitude)	186	691764	Connector-Hose (Pulse Line)
91A	499281	Body-Upper Carburetor	119	690720	Screw (Upper To Lower Carburetor Body)	187	499167	Line-Fuel (Cut to Required Length)
91B	495035	Body-Upper Carburetor	119A	691090	Screw (Upper To Lower Carburetor Body)	188	691003	Screw (Control Bracket)
93	690513	Bushing-Throttle Shaft						
94	491538	Kit-Idle Mixture						
95	690718	Screw (Throttle Valve)						
95A	691437	Screw (Throttle Valve)						

★ Included in Engine Gasket Set-Ref. No. 358.

● Included in Carburetor Overhaul Kit-Ref. No. 121.

■ Included in Carburetor Gasket Set-Ref. No. 977.

∅ Included in Valve Gasket Set-Ref. No. 1095.

*Illustrations cover a range of engines. Parts shown without corresponding text may not be used on your specific engine.*

**42E700**

REF. NO.	PART NO.	DESCRIPTION	REF. NO.	PART NO.	DESCRIPTION	REF. NO.	PART NO.	DESCRIPTION
202	690570	Link–Mechanical Governor	270	691027	Nut (Control Wire Casing)	311	497608	Brush Set
203	493230	Crank–Bell	271	691028	Lever–Control	332	691059	Nut (Flywheel)
205	690322	Screw (Bell Crank)	276	●693497	Washer–Sealing (Carburetor Plug)	333	394891	Armature–Magneto (MAGNETRON®)
209	691273	Spring–Governor (White)	276A	●693510	Washer–Sealing (Foam)	334	691061	Screw (Magneto Armature)
211	691807	Spring–Governed Idle	276B	●691872	Washer–Sealing (Foam)	337	802592	Plug–Spark (Resistor)
212	693544	Link–Throttle (Used On 4 Screw Fuel Pump Mount Carburetors)	276C	★691319	Washer–Sealing (Carburetor Plug)	356	690807	Wire–Stop
212A	690571	Link–Throttle (Used On 3 Screw Fuel Pump Mount Carburetors)	278	692810	Washer (Governor Control Lever)	358	495868	Gasket Set–Engine
219	394348	Gear–Governor	297	691331	Nut (Air Filter Retainer)	359	691077	Washer (Ground Terminal)
220	690412	Washer (Governor Gear)	304	691391	Housing–Blower (Red)	363	19203	Flywheel Puller
222	691366	Bracket–Control	305B	692198	Screw (Blower Housing)	365	690321	Screw (Carburetor)
227	690762	Lever–Governor Control	306	690414	Shield–Cylinder	373	691612	Nut (Ground Terminal)
231	690718	Screw (Choke Valve)	306A	690435	Shield–Cylinder	383	89838	Wrench–Spark Plug
231A	691437	Screw (Choke Valve)	307	691003	Screw (Cylinder Shield)	391	693487	Body–Fuel Pump
235	691206	Shield–Fuel Spray	309	497596	Motor–Starter (3-5/8" Housing Length)	391A	691896	Body–Fuel Pump
239	491657	Switch–Oil Pressure	309A	498148	Motor–Starter (4-3/8" Housing Length)	392	●■693491	Spring–Pump Diaphragm
240	394358	Filter–Fuel	310	690323	Bolt (Starter Motor) (3-5/8" Housing Length)	392A	●■691801	Spring–Pump Diaphragm
267	690316	Screw (Casing Clamp)	310A	691263	Bolt (Starter Motor) (4-3/8" Housing Length)	394	●■693489	Diaphragm–Carburetor
268	691025	Casing–Control Wire (Cut to Required Length)				394A	●■691871	Diaphragm–Carburetor
269	691026	Wire–Control (Cut to Required Length)				394B	●■272638	Diaphragm–Carburetor
						395	690481	Cover–Valve Chamber (Used After Code Date 91080500).
						395A	224362	Cover–Valve Chamber (Used Before Code Date 91080600).

★ Included in Engine Gasket Set–Ref. No. 358.

● Included in Carburetor Overhaul Kit–Ref. No. 121.

■ Included in Carburetor Gasket Set–Ref. No. 977.

∅ Included in Valve Gasket Set–Ref. No. 1095.

*Illustrations cover a range of engines. Parts shown without corresponding text may not be used on your specific engine.*

# 42E700

REF. NO.	PART NO.	DESCRIPTION	REF. NO.	PART NO.	DESCRIPTION	REF. NO.	PART NO.	DESCRIPTION
404	690442	Washer (Governor Crank)	544	692034	Armature–Starter (3-5/8" Housing Length)	742	690328	Retainer–E Ring
405	690364	Screw (Back Plate Mounting)	551	690415	Cover–Valve	750	690960	Screw (Oil Pump Cover) (Used After Code Date 98011100).
415	690283	Plug (Oil Pressure Switch)	552	690553	Bushing–Governor Crank	750A	690336	Screw (Oil Pump Cover) (Used Before Code Date 98011200).
425	691675	Screw (Air Cleaner Cover)	552A	690552	Bushing–Governor Crank	773	692334	Retainer
432	●693492	Cap–Spring	562	690311	Bolt (Governor Control Lever)	783	693059	Gear–Pinion
432A	●690766	Cap–Spring	573	696040	Plate–Back (Used After Code Date 00101500).	789	695050	Harness–Wiring (6 Pin Customer Conversion)
434	693493	Cover–Diaphragm	<b>Note</b>			797	693167	Nut (Brush Retainer)
434A	690434	Cover–Diaphragm	690764	Plate–Back (Used Before Code Date 00101600).	801	691967	Cap–Drive	
435	693494	Screw (Diaphragm Cover)	579	690958	Nut (Starter Cable)	802	691286	Cap–End
435A	691085	Screw (Diaphragm Cover)	601	95162	Clamp–Hose (Zinc Plate) (Spring Wire)	803	693757	Housing–Starter (3-5/8" Housing Length)
439	690589	Seal–O Ring (Crankcase Cover/Sump)	615	690317	Retainer–Governor Shaft	807	693511	Spacer–Throttle
441	691176	Bracket–Oil Fill	616	491530	Crank–Governor	842	★271170	Seal–O Ring (Dipstick Tube)
445	394019	Filter–Air Cleaner Cartridge	629	262539	Spring–Throttle Return	847	495715	Dipstick/Tube Assembly
447	690297	Screw (Air Guide Cover)	635	66538	Boot–Spark Plug	851	493880	Terminal–Spark Plug
447A	691003	Screw (Air Guide Cover)	643	496700	Retainer–Air Filter	859	●693488	Gasket–Carburetor Pump
449	691044	Screw (Oil Fill Bracket)	689	690555	Spring–Friction	859A	●693490	Gasket–Carburetor Pump
474B	696459	Alternator (Dual Circuit)	691	★690657	Seal–Governor Shaft	859B	●691873	Gasket–Carburetor Pump
505	691029	Nut (Governor Control Lever)	695	693149	Screw (Ring Gear)	860	●691799	Spring–Diaphragm
507	691972	Insulator	697	691625	Screw (Drive Cap)	861	693502	Kit–Fuel Pump (Used On 4 Screw Fuel Pump Mount Carburetors)
510	497606	Drive–Starter	716	220863	Washer (Connecting Rod)	861A	393397	Kit–Fuel Pump (Used On 3 Screw Fuel Pump Mount Carburetors)
513	692024	Clutch–Drive	726	391362	Gear–Ring (Includes Mounting Hardware)			
520	691084	Terminal–Ground	737	690332	Screw (Oil Filter Adapter)			
523	691385	Dipstick	741	691285	Gear–Timing			
524	★692532	Seal–Dipstick Tube						
525	690823	Tube–Dipstick						
527	690423	Clamp–Tube						

★ Included in Engine Gasket Set–Ref. No. 358.

● Included in Carburetor Overhaul Kit–Ref. No. 121.

■ Included in Carburetor Gasket Set–Ref. No. 977.

∅ Included in Valve Gasket Set–Ref. No. 1095.

*Illustrations cover a range of engines. Parts shown without corresponding text may not be used on your specific engine.*



REF. NO.	PART NO.	DESCRIPTION	REF. NO.	PART NO.	DESCRIPTION	REF. NO.	PART NO.	DESCRIPTION
865	691196	Cover–Air Guide	971	691100	Screw	1051	691265	Ring–Retaining
865A	691197	Cover–Air Guide			(Air Cleaner Base	1054	280275	Tie–Cable
868	∅692324	Seal–Valve			To Carburetor)	1058	274796	Owner's Manual
		(Black)	988	★691313	Gasket–Oil Adapter			(Emission)
869	691802	Seat–Valve	1005	498157	Fan–Flywheel			———— <b>Note</b> ————
		(Intake)	1006	691247	Retainer–Fan			<b>272112</b> Owner's
870	691844	Seat–Valve	1017	690770	Screen–Oil Pump			Manual
		(Exhaust)	1019	496726	Kit–Label			(Non Emission)
871	261961	Bushing–Valve Guide	1024	499054	Pump–Oil	1090	691293	Retainer–Brush
		(Exhaust)	1027	492932	Filter–Oil	1095	498047	Gasket Set–Valve
		———— <b>Note</b> ————	1028	491721	Adapter–Oil Filter	1119	691183	Screw
		<b>231218</b> Bushing–	1032	491710	Ball–Oil Pump			(Alternator)
		Valve Guide	1035	693158	Shaft–Pump	1132	690353	Screw
		(Intake)	1036	696779	Label–Emission			(Oil Slinger)
877	393456	Wire/Connector–			(Used After Code Date	1135	691261	Washer
		Alternator			01093000).			(Crankcase
		(Dual Circuit)			———— <b>Note</b> ————			Cover/Sump)
918	393815	Hose–Vacuum			<b>695702</b> Label–			(Used In Positions 1
		(Cylinder To Impulse			Emission			and 7)
		Pump)			(Used After Code Date			Used on Type No(s).
		(Cut to Required			00063000 and Before			1280.
		Length)			Code Date 01100100).	1136	690329	Screw
934	691058	Screw			<b>694979</b> Label–			(Control Bracket)
		(Fan Retainer)			Emission			(High Speed Control)
943	★690589	Seal–O Ring			(Used After Code Date	1137	690390	Washer
		(Oil Pump Cover)			99093000 and Before			(Control Bracket)
947	693495	Solenoid–Fuel			Code Date 00070100).			(High Speed Control)
		(Used After Code Date			<b>694391</b> Label–	1138	690330	Nut
		98091300).			Emission			(Control Bracket)
947A	397266	Solenoid–Fuel			(Used After Code Date			(High Speed Control)
		(Used Before Code			98123100 and Before	1154	690366	Screw
		Date 98091400).			Code Date 99100100).			(Valve Chamber
955	693513	Plug–Carburetor			<b>499380</b> Label–			Cover)
955A	397882	Plug–Carburetor			Emission	1159	690286	Washer
965	499613	Cover–Oil Pump			(Used After Code Date			(Oil Slinger)
		(Used After Code Date			97052500 and Before			
		98011100).			Code Date 99010100).			
965A	492197	Cover–Oil Pump			<b>499379</b> Label–			
		(Used Before Code			Emission			
		Date 98011200).			(Used Before Code			
967	272490	Filter–Pre Cleaner			Date 97052600).			
968	691207	Cover–Air Cleaner						

★ Included in Engine Gasket Set–Ref. No. 358.

● Included in Carburetor Overhaul Kit–Ref. No. 121.

■ Included in Carburetor Gasket Set–Ref. No. 977.

∅ Included in Valve Gasket Set–Ref. No. 1095.

*Illustrations cover a range of engines. Parts shown without corresponding text may not be used on your specific engine.*