

42B700

Illustrated Parts List

Model Series

42B700

TYPE NUMBERS
1265 through 2265.

For Use On Engines Built Before Date Code – 02050900

TABLE OF CONTENTS

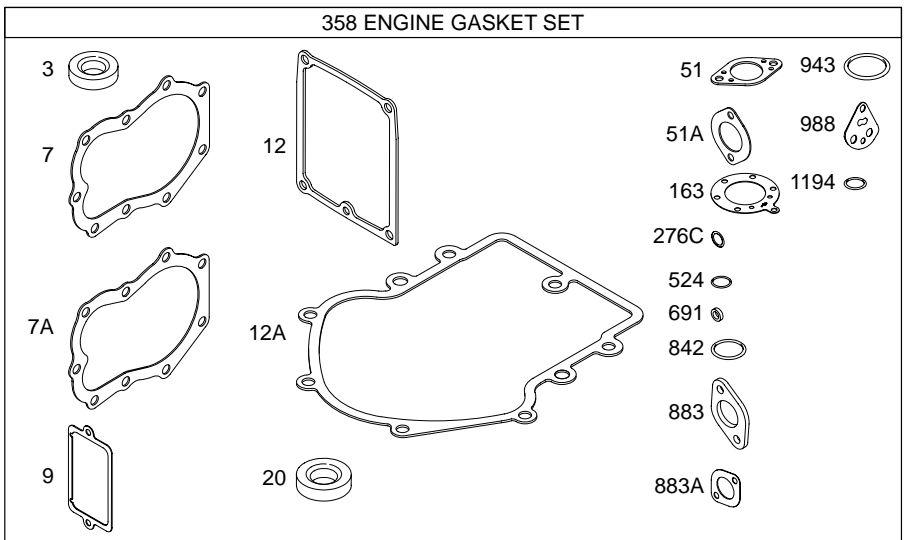
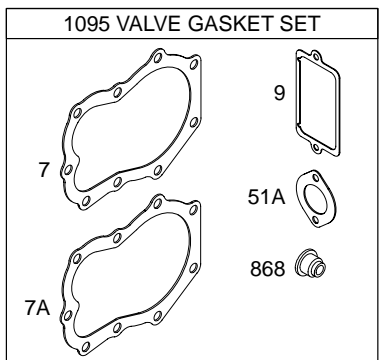
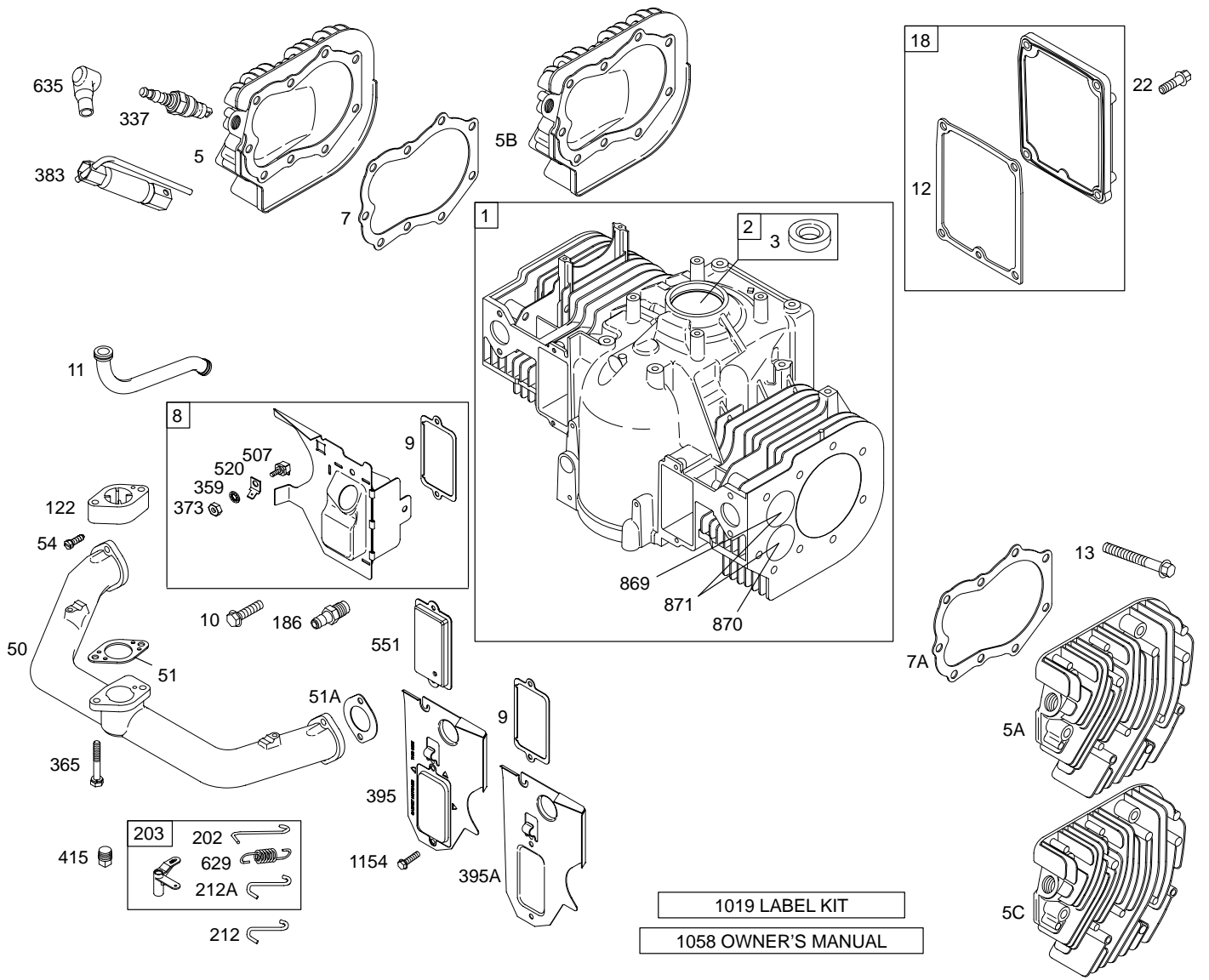
Air Cleaner	9
Alternator	8
Blower Housing/Shrouds	10
Cam	3
Carburetor	6
Carburetor	7
Controls	8
Crankcase Cover/Cylinder	2
Crankshaft	3
Electric Starter	12
Flywheel	11
Head	2
Kit/Gasket Sets – Carburetor	6
Kit/Gasket Sets – Engine	2
Kit/Gasket Sets – Fuel Pump	6
Kit/Gasket Sets – Valve	2
Muffler	9
Oil	4
Piston	3
Sump	5
Valves	3



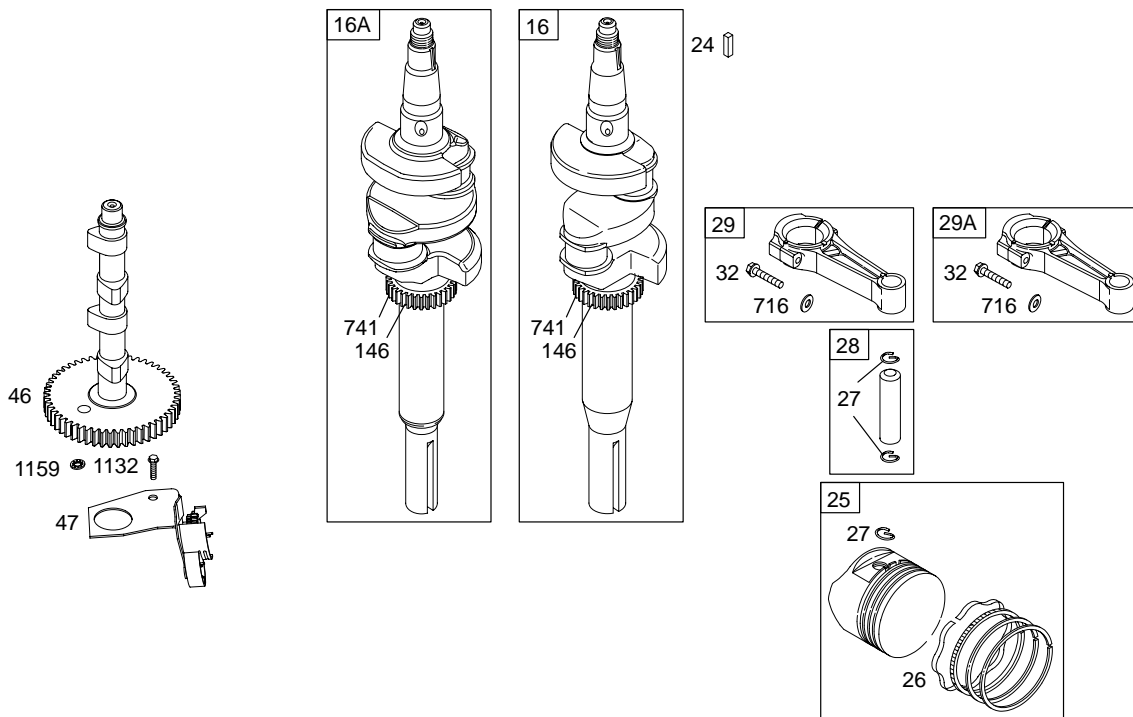
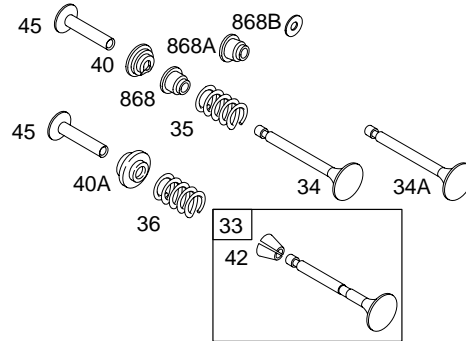
PRINTED IN U.S.A.

COPYRIGHT by BRIGGS & STRATTON CORPORATION
 All rights reserved. No part of this material may be reproduced or transmitted, in any form or by any means, electronic or mechanical, including photocopying, recording or by any information storage and retrieval system, without permission in writing from Briggs & Stratton Corporation.

42B700

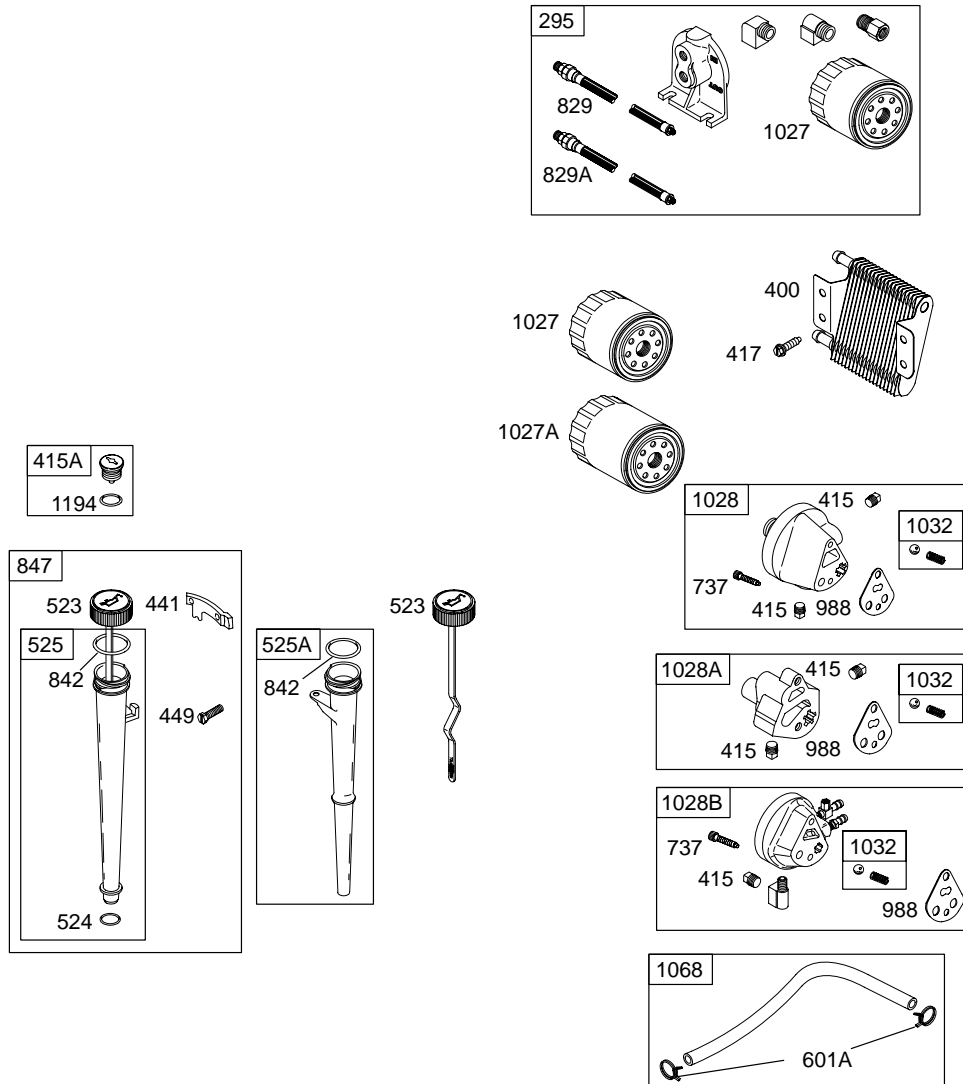


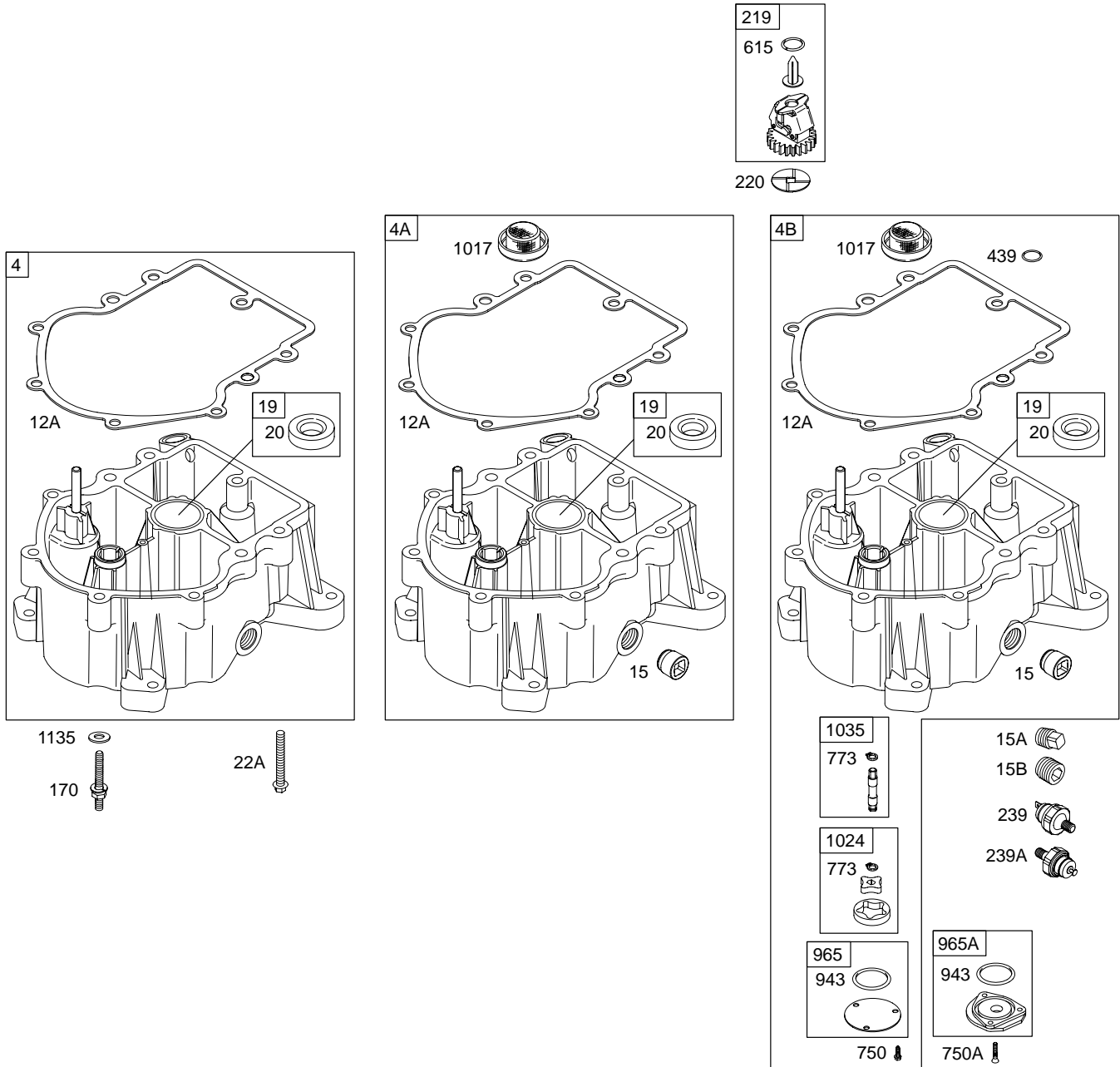
Illustrations cover a range of engines. Parts shown without corresponding text may not be used on your specific engine.
 1112-2 Assemblies include all parts shown in frames. 5C-6/2002



Illustrations cover a range of engines. Parts shown without corresponding text may not be used on your specific engine.
 1112-3 Assemblies include all parts shown in frames. 5C-6/2002

42B700

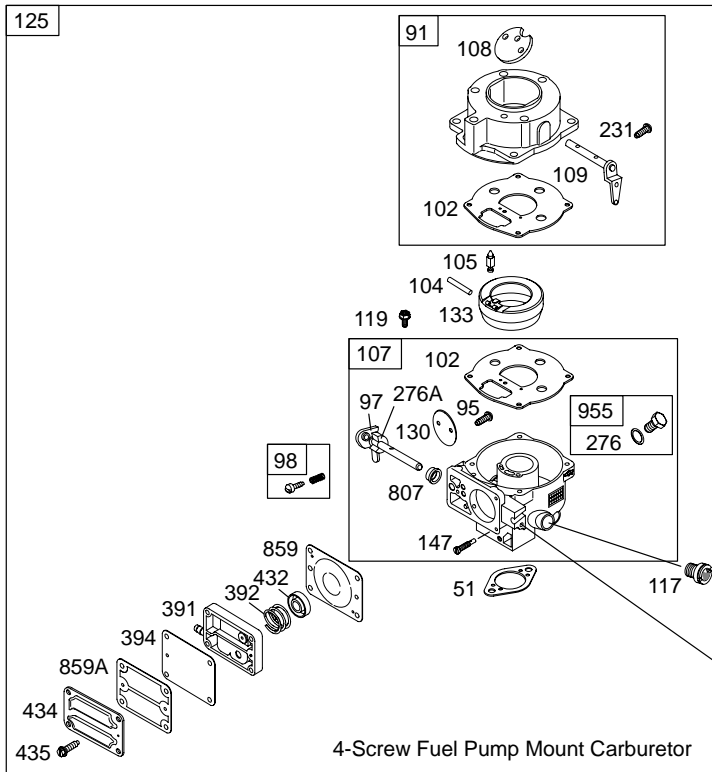




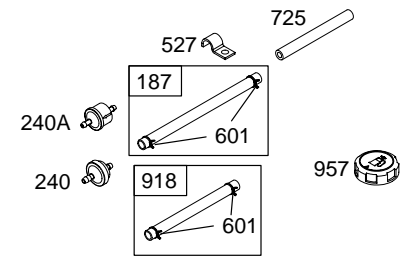
1112-5 *Illustrations cover a range of engines. Parts shown without corresponding text may not be used on your specific engine.* Assemblies include all parts shown in frames. 5C-6/2002

42B700

SEE ADDITIONAL PAGES FOR MORE CARBURETOR INFORMATION



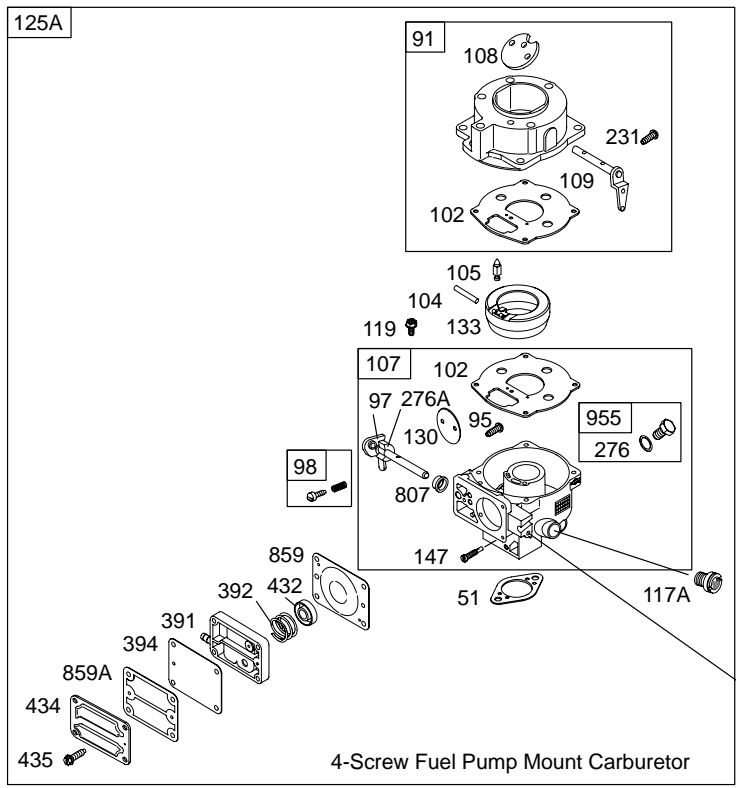
- Model 4607**
- Model 4617**
- Model 4627**
- Model 4637**



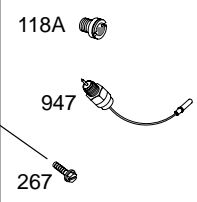
- 121 CARBURETOR OVERHAUL KIT**
- | | |
|------|------|
| 51 | 392 |
| 95 | 394 |
| 102 | 432 |
| 104 | 807 |
| 105 | 859 |
| 117 | 859A |
| 147 | |
| 276 | |
| 276A | |

- 121A CARBURETOR OVERHAUL KIT**
- | | |
|------|------|
| 51 | 392 |
| 95 | 394 |
| 102 | 432 |
| 104 | 807 |
| 105 | 859 |
| 117A | 859A |
| 147 | |
| 276 | |
| 276A | |

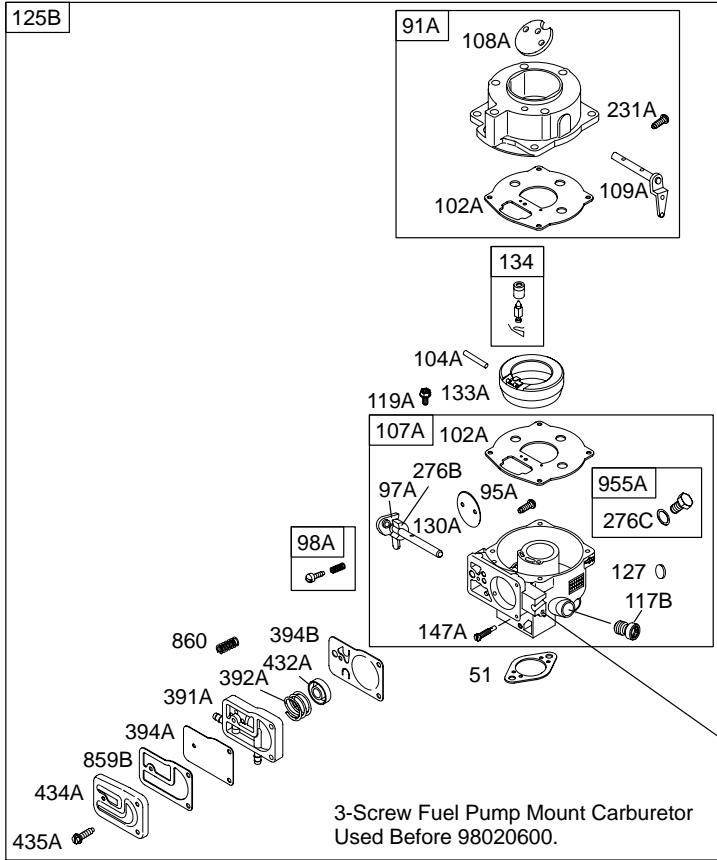
- 861 FUEL PUMP KIT**
- | |
|------|
| 392 |
| 394 |
| 432 |
| 859 |
| 859A |



- Model 42A7**
- Model 42B7**
- Model 42D7**
- Model 42E7**
- Model 4227**



Illustrations cover a range of engines. Parts shown without corresponding text may not be used on your specific engine.
 1112-6 Assemblies include all parts shown in frames. 5C-6/2002



Model 42A7

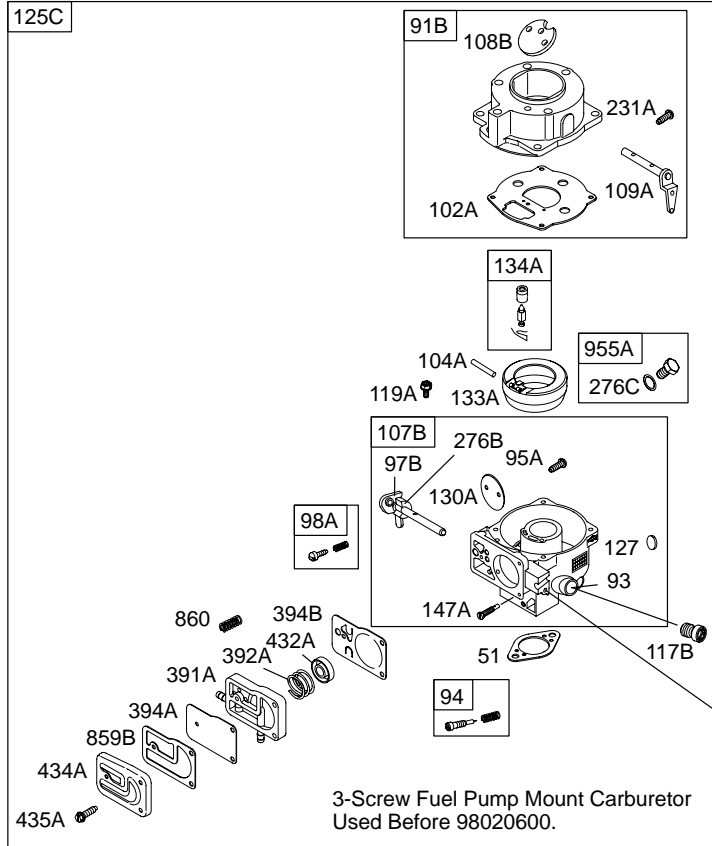
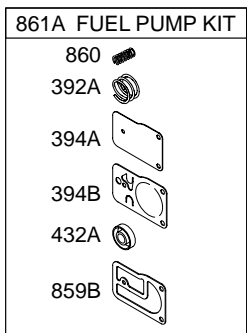
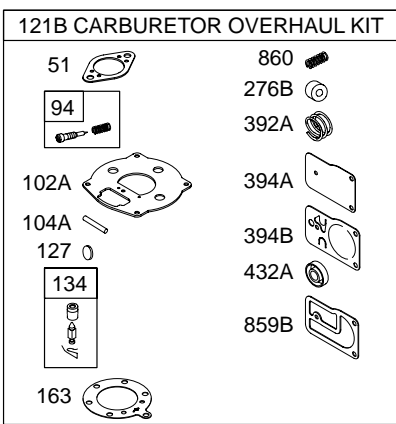
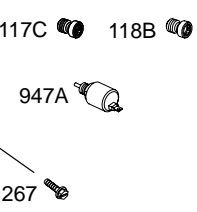
Model 42B7

Model 42D7

Model 42E7

Model 4227

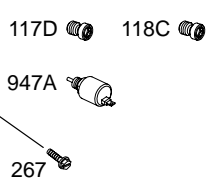
**3-Screw Fuel Pump
Mount Carburetor
Used Before 98020600.**



Model 4607

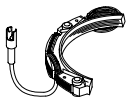
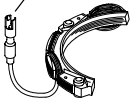





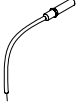
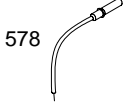

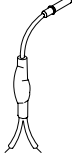
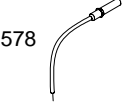
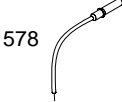
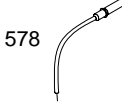


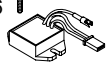
Model 4617

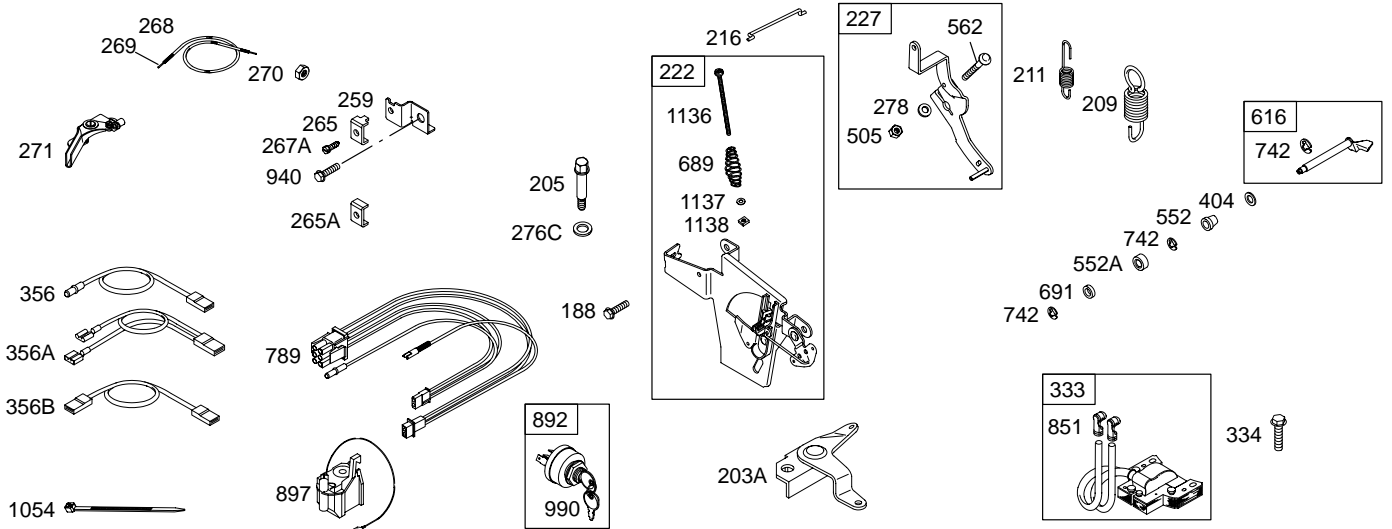
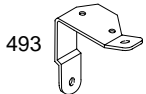
**3-Screw Fuel Pump
Mount Carburetor
Used Before 98020600.**



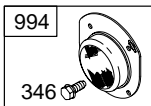
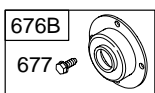
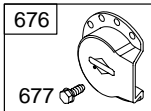
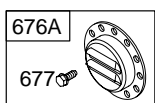
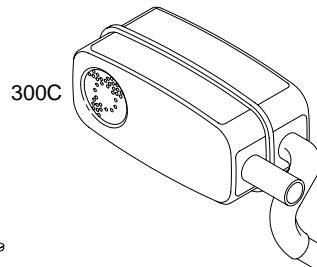
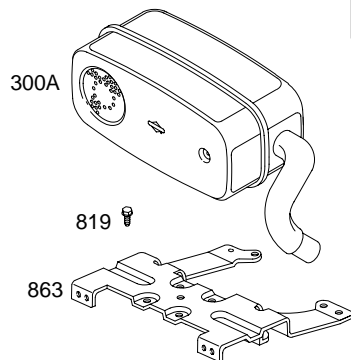
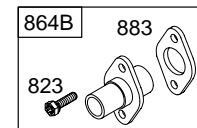
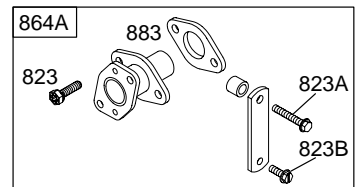
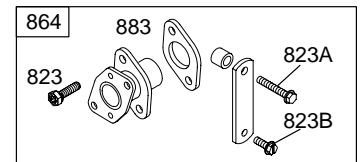
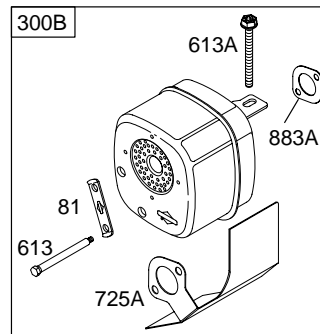
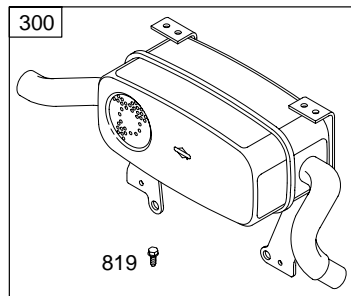
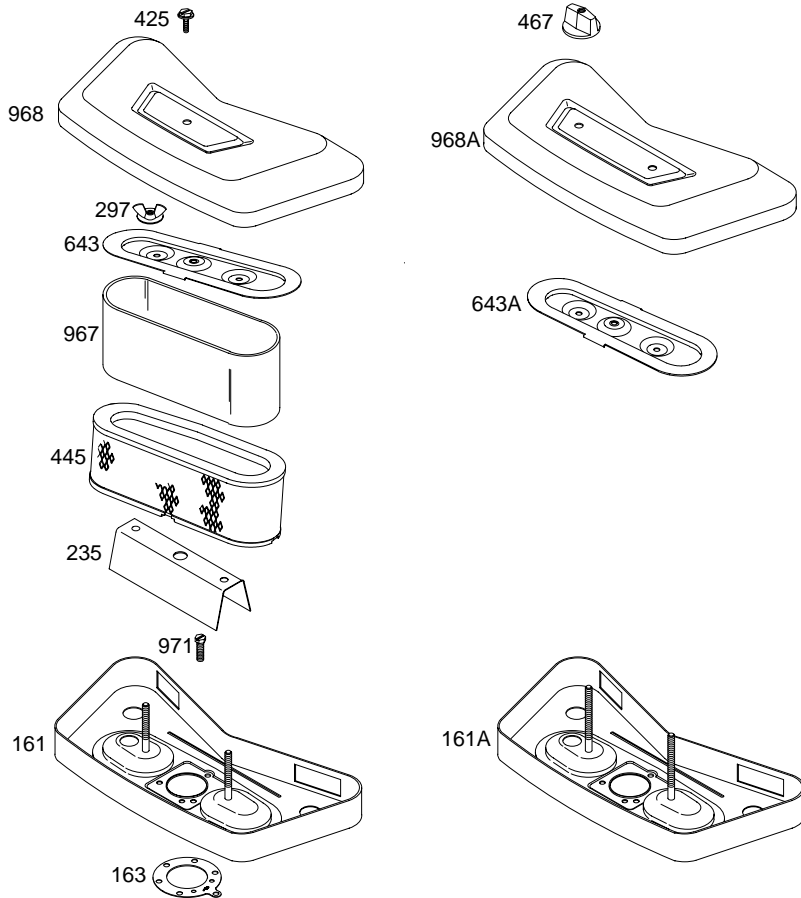
Illustrations cover a range of engines. Parts shown without corresponding text may not be used on your specific engine.
 1112-7 Assemblies include all parts shown in frames. 5C-6/2002

42B700

AC ONLY	DC ONLY	DUAL CIRCUIT	TRI CIRCUIT	9 AMP	10 AMP	16 AMP
474	474A	474B	474C	474C	474D	474D
	877A 	877 	877B 	877B 	877C 	877C 
578 	578 	878 	878A 	578 	578 	578 
<p>NOTE: All Stators Use a No. 1119 Mounting Screw. </p> <p>NOTE: The proper flywheel part number and/or the alternator magnet size will determine the alternator type or output. See repair instruction manual for additional information.</p>				526A 	526 	

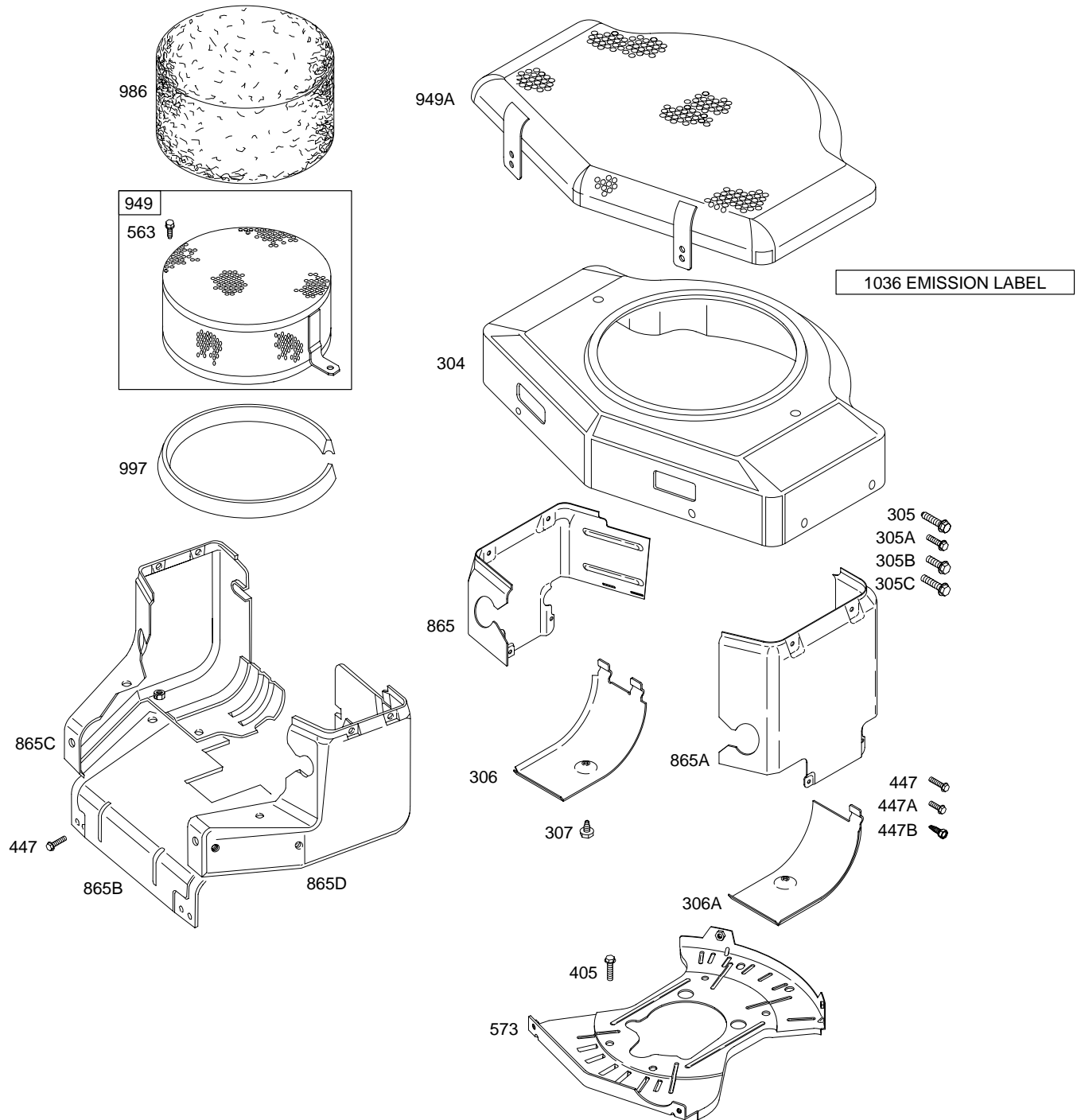


1112-8 *Illustrations cover a range of engines. Parts shown without corresponding text may not be used on your specific engine.* Assemblies include all parts shown in frames. 5C-6/2002

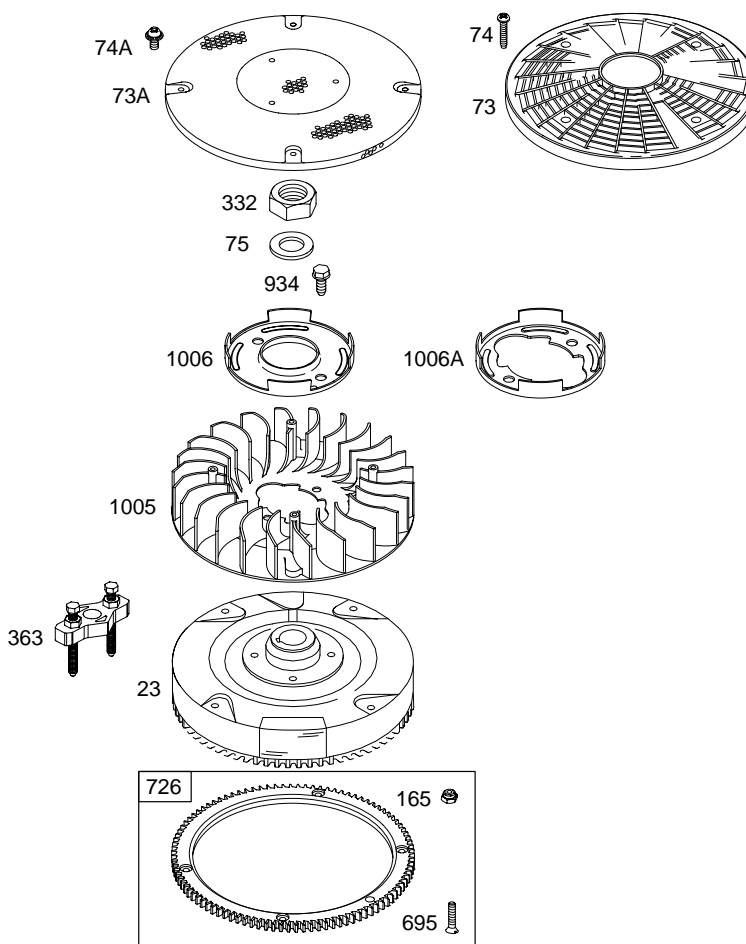


1112-9 *Illustrations cover a range of engines. Parts shown without corresponding text may not be used on your specific engine.* Assemblies include all parts shown in frames. 5C-6/2002

42B700



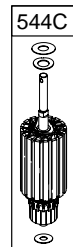
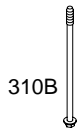
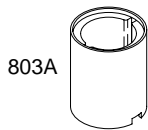
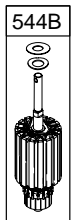
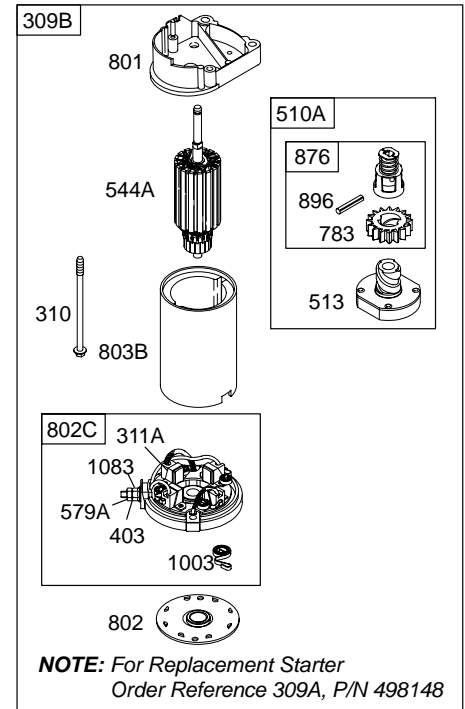
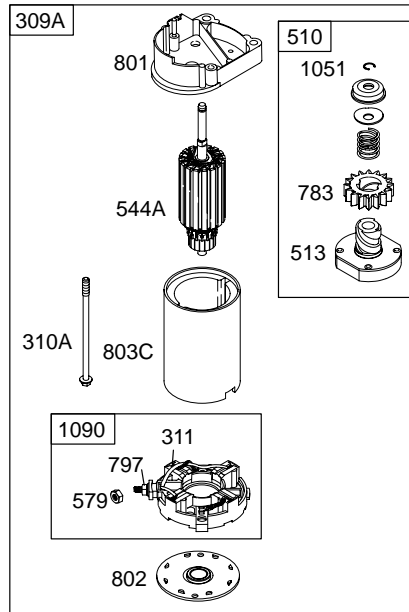
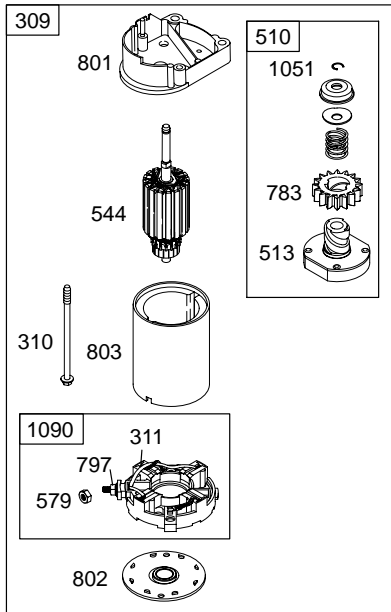
Illustrations cover a range of engines. Parts shown without corresponding text may not be used on your specific engine.
 1112-10 Assemblies include all parts shown in frames. 5C-6/2002



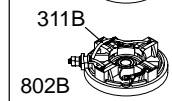
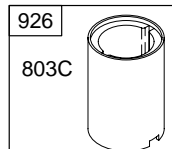
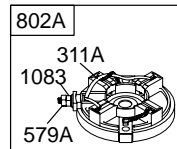
1112-11 *Illustrations cover a range of engines. Parts shown without corresponding text may not be used on your specific engine.* Assemblies include all parts shown in frames. 5C-6/2002

42B700

697 



803B



Illustrations cover a range of engines. Parts shown without corresponding text may not be used on your specific engine.
 1112-12 Assemblies include all parts shown in frames. 5C-6/2002

REF. NO.	PART NO.	DESCRIPTION	REF. NO.	PART NO.	DESCRIPTION	REF. NO.	PART NO.	DESCRIPTION
1	498583	Cylinder Assembly	20	★291675	Seal–Oil (PTO Side)	28	498319	Pin–Piston (Standard)
2	399265	Kit–Bushing/Seal (Magneto Side)	22	691104	Screw (Crankcase Cover/Sump)			(Used After Code Date 96042900). ———— Note ———
3	★391086	Seal–Oil (Magneto Side)	22A	693972	Screw (Crankcase Cover/Sump)			299691 Pin–Piston (Standard)
4	493304	Sump–Engine (Splash Lube)	23	691976	Flywheel			(Used Before Code Date 96043000).
5	493457	Head–Cylinder (Cylinder 1)	24	222698	Key–Flywheel			
5A	493458	Head–Cylinder (Cylinder 2)	25	498584	Piston Assembly (Standard)			498320 Pin– Piston (.005" Oversize)
7	∅★271867	Gasket–Cylinder Head (Cylinder 1)			———— Note ———			(Used After Code Date 96042900).
7A	∅★271868	Gasket–Cylinder Head (Cylinder 2)			498585 Piston Assembly (.010" Oversize)			391286 Pin– Piston (.005" Oversize)
8	495754	Breather Assembly			498586 Piston Assembly (.020" Oversize)			(Used Before Code Date 96043000).
9	∅★27803	Gasket–Breather			498587 Piston Assembly (.030" Oversize)	29	394306	Rod–Connecting (Standard)
10	690334	Screw (Breather Assembly)						———— Note ———
11	691899	Tube–Breather						397158 Rod– Connecting (.020" Undersize)
12	★692287	Gasket–Crankcase						
12A	★692292	Gasket–Crankcase (.015" Thick) (Standard)	26	394959	Ring Set (Standard)			
		———— Note ———			———— Note ———			
		★271188 Gasket– Crankcase (.005" Thick)			394960 Ring Set (.010" Oversize)	32	691133	Screw (Connecting Rod)
		★271189 Gasket– Crankcase (.009" Thick)			394961 Ring Set (.020" Oversize)	33	691794	Valve–Exhaust
13	691651	Screw (Cylinder Head)	27	691299	Lock–Piston Pin (Used After Code Date 96042900).	34	691804	Valve–Intake
15A	690946	Plug–Oil Drain (3/8" Standard)			———— Note ———	35	691605	Spring–Valve (Intake)
16	690636	Crankshaft			691792 Lock–Piston Pin (Used Before Code Date 96043000).	36	691597	Spring–Valve (Exhaust)
18	495901	Cover–Crankcase				40	690656	Retainer–Valve (Intake)
19	399264	Kit–Bushing/Seal (PTO Side)				40A	691939	Retainer–Valve (Exhaust)
						42	494553	Keeper–Valve
						45	691800	Tappet–Valve
						46	691156	Camshaft
								———— Note ———
								692857 Camshaft Used on Type No(s). 2200, 2265.
						47	691964	Slinger–Oil

★ Included in Engine Gasket Set–Ref. No. 358.

● Included in Carburetor Overhaul Kit–Ref. No. 121.

■ Included in Carburetor Gasket Set–Ref. No. 977.

∅ Included in Valve Gasket Set–Ref. No. 1095.

Illustrations cover a range of engines. Parts shown without corresponding text may not be used on your specific engine.

42B700

REF. NO.	PART NO.	DESCRIPTION	REF. NO.	PART NO.	DESCRIPTION	REF. NO.	PART NO.	DESCRIPTION
50	691709	Manifold-Intake	109A	691957	Shaft-Choke	161	691401	Base-Air Cleaner Metal)
51	★●692278	Gasket-Intake	117A	693507	Jet-Main (Standard)	163	★●690273	Gasket-Air Cleaner
51A	∅★692219	Gasket-Intake	117B	691773	Jet-Main (Standard)	165	693148	Nut (Ring Gear)
54	93208	Screw (Intake Manifold)	117C	691253	Jet-Main (Standard)	186	691764	Connector-Hose (Pulse Line)
73A	692527	Screen-Rotating (Steel)	118A	693499	Jet-Main (High Altitude)	187	499167	Line-Fuel (Cut to Required Length)
74A	691677	Screw (Rotating Screen)	118B	231333	Jet-Main (High Altitude)	188	691003	Screw (Control Bracket)
75	691056	Washer (Flywheel)	119	690720	Screw (Upper To Lower Carburetor Body)	202	690570	Link-Mechanical Governor
91	693483	Body-Upper Carburetor	119A	691090	Screw (Upper to Lower Carburetor Body)	203	493230	Crank-Bell
91A	499281	Body-Upper Carburetor	121A	693503	Kit-Carburetor Overhaul (Used On 4 Screw Fuel Pump Mount Carburetors)	205	690322	Screw (Bell Crank)
91B	495035	Body-Upper Carburetor	121B	694056	Kit-Carburetor Overhaul (Used On 3 Screw Fuel Pump Mount Carburetors)	209	691273	Spring-Governor (White)
93	690513	Bushing-Throttle Shaft						Note 690558 Spring-Governor (Brown) Used on Type No(s). 2200.
94	●491538	Kit-Idle Mixture				211	691807	Spring-Governed Idle
95	690718	Screw (Throttle Valve)				212	693544	Link-Throttle (Used On 4 Screw Fuel Pump Mount Carburetors)
95A	691437	Screw (Throttle Valve)	122	691928	Spacer-Carburetor	212A	690571	Link-Throttle (Used On 3 Screw Fuel Pump Mount Carburetors)
97	693485	Shaft-Throttle	125A	693480	Carburetor (4 Screw Fuel Pump Mount)	219	394348	Gear-Governor
97A	691485	Shaft-Throttle	125B		Carburetor (3 Screw Fuel Pump Mount) (Service With Reference 125A)	220	690412	Washer (Governor Gear)
97B	690629	Shaft-Throttle				222	691366	Bracket-Control
98	807923	Kit-Idle Speed	127	●691739	Plug-Welch	227	690762	Lever-Governor Control
98A	693942	Kit-Idle Speed	130	693504	Valve-Throttle	231	690718	Screw (Choke Valve)
102	●693509	Gasket-Carburetor Body	130A	691727	Valve-Throttle	231A	691437	Screw (Choke Valve)
102A	●273186	Gasket-Carburetor Body	133	693512	Float-Carburetor	235	691206	Shield-Fuel Spray
104	●693506	Pin-Float Hinge	133A	692265	Float-Carburetor	240	394358	Filter-Fuel
104A	●691775	Pin-Float Hinge	134	●394682	Kit-Needle/Seat			
105	●692078	Valve-Float Needle	146	691639	Key-Timing			
107	693482	Body-Lower Carburetor	147	693508	Jet-Pilot			
107A	499655	Body-Lower Carburetor	147A	691431	Jet-Pilot			
107B	491543	Body-Lower Carburetor						
108	693505	Valve-Choke						
108A	691233	Valve-Choke						
108B	223534	Valve-Choke						
109	693498	Shaft-Choke						

★ Included in Engine Gasket Set-Ref. No. 358.

● Included in Carburetor Overhaul Kit-Ref. No. 121.

■ Included in Carburetor Gasket Set-Ref. No. 977.

∅ Included in Valve Gasket Set-Ref. No. 1095.

Illustrations cover a range of engines. Parts shown without corresponding text may not be used on your specific engine.

REF. NO.	PART NO.	DESCRIPTION	REF. NO.	PART NO.	DESCRIPTION	REF. NO.	PART NO.	DESCRIPTION
267	690316	Screw (Casing Clamp)	310	690323	Bolt (Starter Motor) (3-5/8" Housing Length)	363	19203	Flywheel Puller
268	691025	Casing-Control Wire (Cut To Required Length)	310A	691263	Bolt (Starter Motor) (4-3/8" Housing Length)	365	690321	Screw (Carburetor)
269	691026	Wire-Control (Cut to Required Length)	310B	692329	Bolt (Starter Motor) (4-1/2" and 4-3/8" Housing Length)	373	691612	Nut (Ground Terminal)
270	691027	Nut (Control Wire Casing)	311	497608	Brush Set	383	89838	Wrench-Spark Plug
271	691028	Lever-Control	311A	395538	Brush Set (3-5/8" Housing Length)	391	693487	Body-Fuel Pump
276	●693497	Washer-Sealing (Carburetor Plug)	311B	490311	Brush Set (4-1/2" Housing Length)	391A	691896	Body-Fuel Pump
276A	●693510	Washer-Sealing (Foam)	332	691059	Nut (Flywheel)	392	●693491	Spring-Pump Diaphragm
276B	●691872	Washer-Sealing (Foam)	333	394891	Armature-Magneto (MAGNETRON®)	392A	●691801	Spring-Pump Diaphragm
276C	★691319	Washer-Sealing (Carburetor Plug)	334	691061	Screw (Magneto Armature)	394	●693489	Diaphragm-Carburetor
278	692810	Washer (Governor Control Lever)	337	802592	Plug-Spark (Resistor)	394A	●691871	Diaphragm-Carburetor
297	691331	Nut (Air Filter Retainer)	346	690661	Screw (Spark Arrestor)	394B	●272638	Diaphragm-Carburetor
300A	690838	Muffler (Super Lo Tone)	356	690807	Wire-Stop (1 Wire, 15-13/16" Long) (Snap Connect Insulated Female Blade Terminal, And Snap Connect Insulated Pin Socket)	395	690481	Cover-Valve Chamber
304	691391	Housing-Blower (Red)	358	495868	Gasket Set-Engine	403	690288	Washer (End Cap)
305	690960	Screw (Blower Housing)	359	691077	Washer (Ground Terminal)	404	690442	Washer (Governor Crank)
305A	691003	Screw (Blower Housing)				405	690364	Screw (Back Plate)
306	690414	Shield-Cylinder				425	691675	Screw (Air Cleaner Cover)
306A	690435	Shield-Cylinder				432	●693492	Cap-Spring (Diaphragm Pump)
307	691003	Screw (Cylinder Shield)				432A	●690766	Cap-Spring (Diaphragm Pump)
309	497596	Motor-Starter (3-5/8" Housing Length)				434	693493	Cover-Diaphragm
309A	498148	Motor-Starter (4-3/8" Housing Length)				434A	690434	Cover-Diaphragm
309B		Motor-Starter (For Replacement Starter Motor, Order Reference 309A)				435	693494	Screw (Diaphragm Cover)
						435A	691085	Screw (Diaphragm Cover)
						441	691176	Bracket-Oil Fill
						445	394019	Filter-Air Cleaner Cartridge
						447	690297	Screw (Air Guide Cover)
						449	691044	Screw (Oil Fill Bracket)
						474B	696459	Alternator (Dual Circuit)

★ Included in Engine Gasket Set-Ref. No. 358.

● Included in Carburetor Overhaul Kit-Ref. No. 121.

■ Included in Carburetor Gasket Set-Ref. No. 977.

∅ Included in Valve Gasket Set-Ref. No. 1095.

Illustrations cover a range of engines. Parts shown without corresponding text may not be used on your specific engine.

42B700

REF. NO.	PART NO.	DESCRIPTION	REF. NO.	PART NO.	DESCRIPTION	REF. NO.	PART NO.	DESCRIPTION
505	691029	Nut (Governor Control Lever)	601	95162	Clamp-Hose (Zinc Plate) (Spring Wire)	803	693757	Housing-Starter (3-5/8" Housing Length)
507	691672	Insulator	615	690317	Retainer-Governor Shaft	803A	398159	Housing-Starter (3-5/8" Housing Length)
510	497606	Drive-Starter	616	491530	Crank-Governor	803B	398892	Housing-Starter (4-1/2" Housing Length)
510A	495878	Drive-Starter	629	262539	Spring-Throttle Return	803C	494205	Housing-Starter (4-3/8" Housing Length)
513	692024	Clutch-Drive	635	66538	Boot-Spark Plug	807	693511	Spacer-Throttle
520	691084	Terminal-Ground	643	496700	Retainer-Air Filter	819	690297	Screw (Muffler Bracket)
523	691385	Dipstick	689	690555	Spring-Friction	823	691681	Screw (Muffler Adapter)
524	★692532	Seal-Dipstick Tube	691	★690657	Seal-Governor Shaft	842	★271170	Seal-O Ring (Dipstick Tube)
525	690823	Tube-Dipstick	695	693149	Screw (Ring Gear)	847	495715	Dipstick/Tube Assembly
544	692034	Armature-Starter (3-5/8" Housing Length)	697	691625	Screw (Drive Cap)	851	493880	Terminal-Spark Plug
544A	498595	Armature-Starter (4-3/8" Housing Length) (Service With Reference 309A, Part Number 498148)	716	220863	Washer (Connecting Rod)	859	●693488	Gasket-Carburetor Pump
544B	390837	Armature-Starter (3-5/8" Housing Length)	725	280866	Shield-Heat	859A	●693490	Gasket-Carburetor Pump
544C	490309	Armature-Starter (4-1/2" and 4-3/8" Housing Length)	726	391362	Gear-Ring (Includes Mounting Hardware)	859B	●691873	Gasket-Carburetor Pump
551	690415	Cover-Valve	741	691285	Gear-Timing	860	●691799	Spring-Diaphragm
552	690553	Bushing-Governor Crank	742	690328	Retainer-E Ring	861	693502	Kit-Fuel Pump (Used On 4 Screw Fuel Pump Mount Carburetors)
552A	690552	Bushing-Governor Crank	783	693059	Gear-Pinion	861A	393397	Kit-Fuel Pump (Used On 3 Screw Fuel Pump Mount Carburetors)
562	690311	Bolt (Governor Control Lever)	797	693167	Nut (Brush Retainer)			
573	696040	Plate-Back (Used After Code Date 00101500).	801	691967	Cap-Drive			
		Note	802	691286	Cap-End			
		690764 Plate-Back (Used Before Code Date 00101600).	802A	395537	Cap-End (3-5/8" Housing Length)			
579	690958	Nut (Starter Cable)	802B	494988	Cap-End (4-3/8" Housing Length)			
579A	691626	Nut (Starter Cable)	802C		Cap-End (4-3/8" Housing Length)(Service With Reference 309A, Part Number 498148)			

★ Included in Engine Gasket Set-Ref. No. 358.

● Included in Carburetor Overhaul Kit-Ref. No. 121.

■ Included in Carburetor Gasket Set-Ref. No. 977.

∅ Included in Valve Gasket Set-Ref. No. 1095.

Illustrations cover a range of engines. Parts shown without corresponding text may not be used on your specific engine.

REF. NO.	PART NO.	DESCRIPTION	REF. NO.	PART NO.	DESCRIPTION	REF. NO.	PART NO.	DESCRIPTION
863	690444	Bracket-Muffler	947	693495	Solenoid-Fuel	1051	691265	Ring-Retaining
864B	691970	Adapter-Muffler	947A	397266	Solenoid-Fuel (Used Before Code Date 98091400).	1058	274796	Owner's Manual (Emission)
865	691196	Cover-Air Guide						Note
865A	691197	Cover-Air Guide						272112 Owner's Manual
868	Ø692324	Seal-Valve (Black)						(Non Emission)
869	691802	Seat-Valve (Intake)	955	693513	Plug-Carburetor	1083	691958	Nut (End Cap)
870	691844	Seat-Valve (Exhaust)	955A	397882	Plug-Carburetor	1090	691293	Retainer-Brush
871	261961	Bushing-Valve Guide (Exhaust)	967	272490	Filter-Pre Cleaner	1095	498047	Gasket Set-Valve
		Note	968	691207	Cover-Air Cleaner	1119	691183	Screw (Alternator)
		231218 Bushing-Valve Guide (Intake)	971	691100	Screw (Air Cleaner Base to Carburetor)	1132	690353	Screw (Oil Slinger)
876	495877	Kit-Pinion Spring	994	392390	Arrestor-Spark	1136	690329	Screw (Control Bracket) (High Speed Control)
877	393456	Wire/Connector- Alternator (Dual Circuit)	1003	490316	Spring-Brush (4-1/2" Housing Length)	1137	690390	Washer (Control Bracket) (High Speed Control)
877A	399916	Wire/Connector- Alternator (2 Wires, 7-53/64" Long) (2 Bare Wire End, And Insulated Snap Connect Male Pin Terminal)	1005	498157	Fan-Flywheel	1138	690330	Nut (Control Bracket) (High Speed Control)
			1006	691247	Retainer-Fan	1154	690366	Screw (Valve Chamber Cover)
878	691237	Harness-Alternator (2 Wires, 48-1/2", And 48-1/2" Long) (Snap Connect Female Pin Terminal And 2 Bare Wire Ends)	1019	496726	Kit-Label	1159	690286	Washer (Oil Slinger)
			1036	696779	Label-Emission (Used After Code Date 01093000).			
883	★692282	Gasket-Exhaust			Note			
886	691641	Pin-Drive Retainer			695702 Label- Emission (Used After Code Date 00063000 and Before Code Date 01100100).			
918	393815	Vacuum Hose (Cylinder To Impulse Pump) (Cut to Required Length)			694979 Label- Emission (Used After Code Date 99093000 and Before Code Date 00070100).			
926	498233	Kit-Housing/Cap (4-1/2" Housing Length)			694391 Label- Emission (Used After Code Date 98123100 and Before Code Date 99100100).			
934	691058	Screw (Fan Retainer)			499380 Label- Emission (Used Before Code Date 99010100).			

★ Included in Engine Gasket Set-Ref. No. 358.

● Included in Carburetor Overhaul Kit-Ref. No. 121.

■ Included in Carburetor Gasket Set-Ref. No. 977.

Ø Included in Valve Gasket Set-Ref. No. 1095.

Illustrations cover a range of engines. Parts shown without corresponding text may not be used on your specific engine.