

40G700

Illustrated Parts List

Model Series

40G700

TYPE NUMBERS
0100 through 0383.

TABLE OF CONTENTS

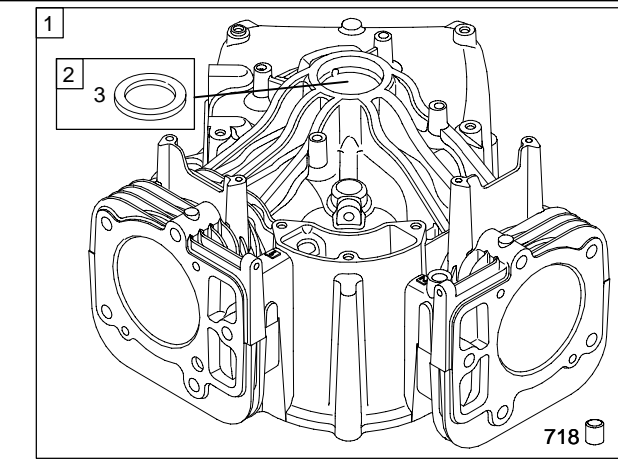
Air Cleaner	5
Alternators/Ignition	7
Blower Housing/Shrouds	5
Camshaft	3
Carburetor	4
Controls	6
Crankcase Cover/Sump	2
Crankshaft	2
Cylinder	2
Electric Starter	6
Flywheel	6
Head/Valves	3
Kit/Gasket Sets	4
Lubrication	2
Pistons, Rings, Connecting Rod	2



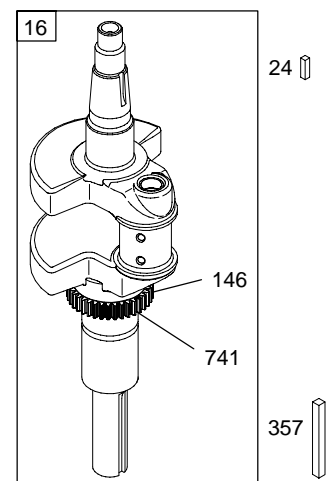
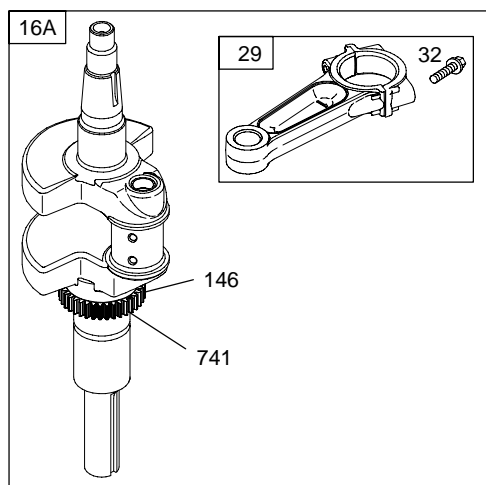
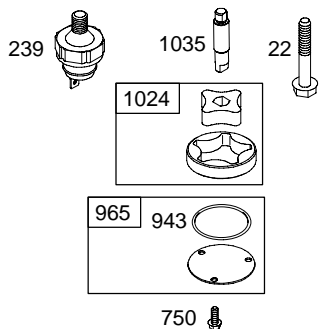
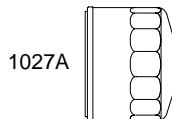
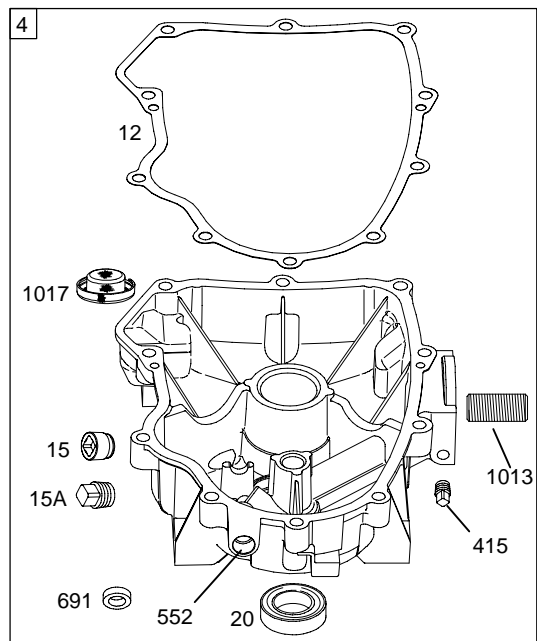
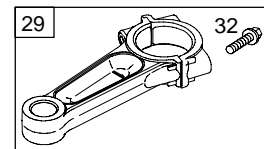
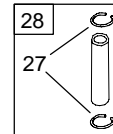
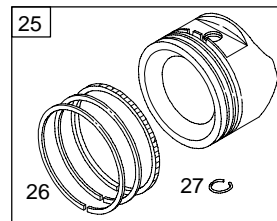
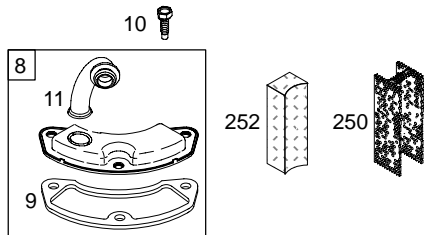
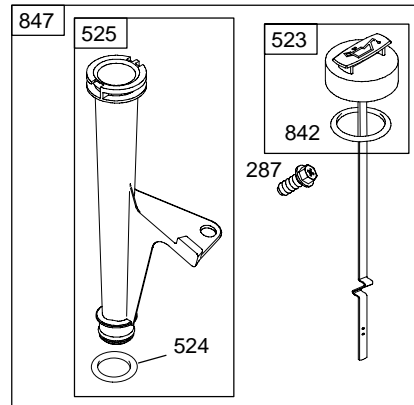
PRINTED IN U.S.A.

COPYRIGHT by BRIGGS & STRATTON CORPORATION
 All rights reserved. No part of this material may be reproduced or transmitted,
 in any form or by any means, electronic or mechanical, including photocopying,
 recording or by any information storage and retrieval system, without permission
 in writing from Briggs & Stratton Corporation.

40G700

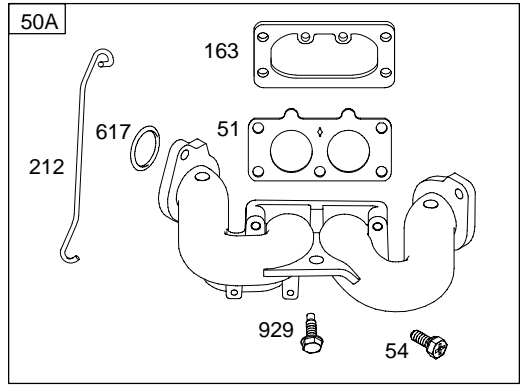
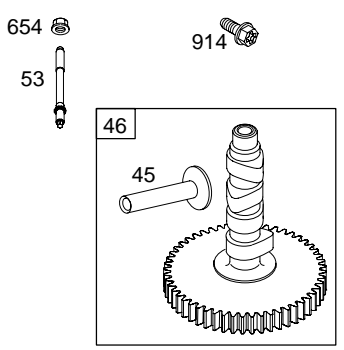
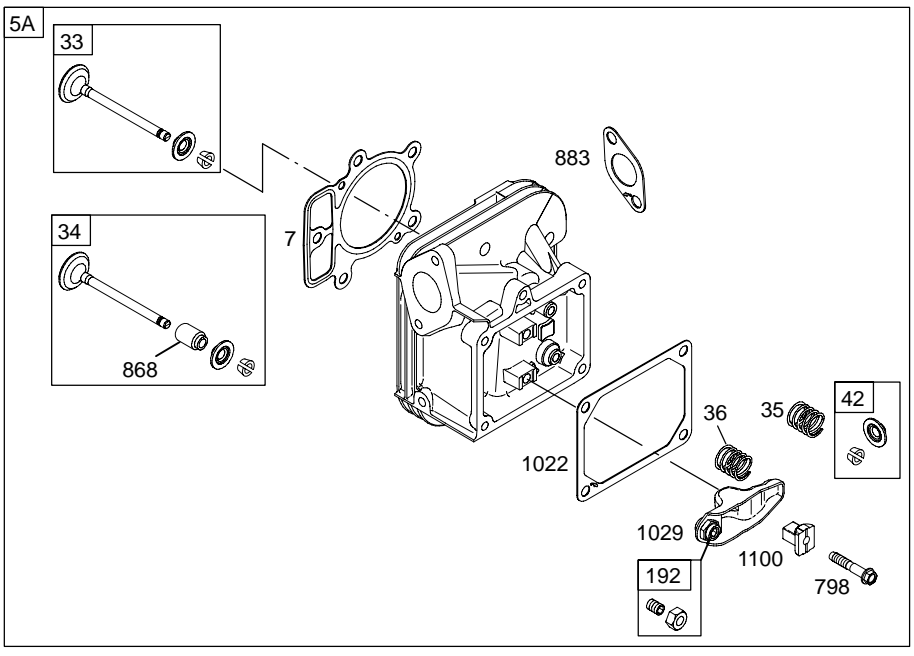
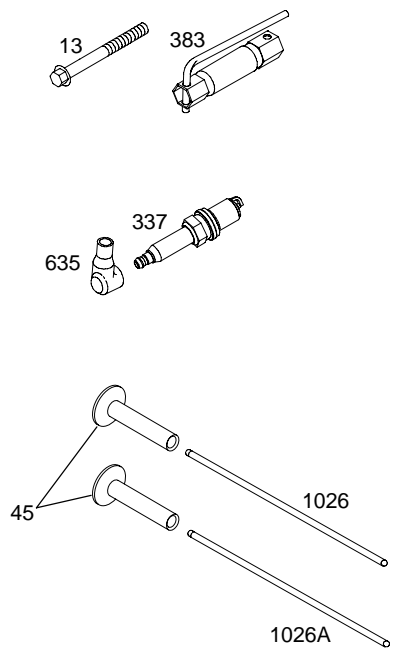
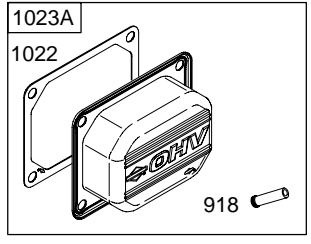
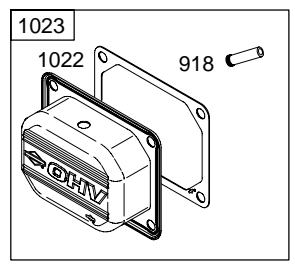
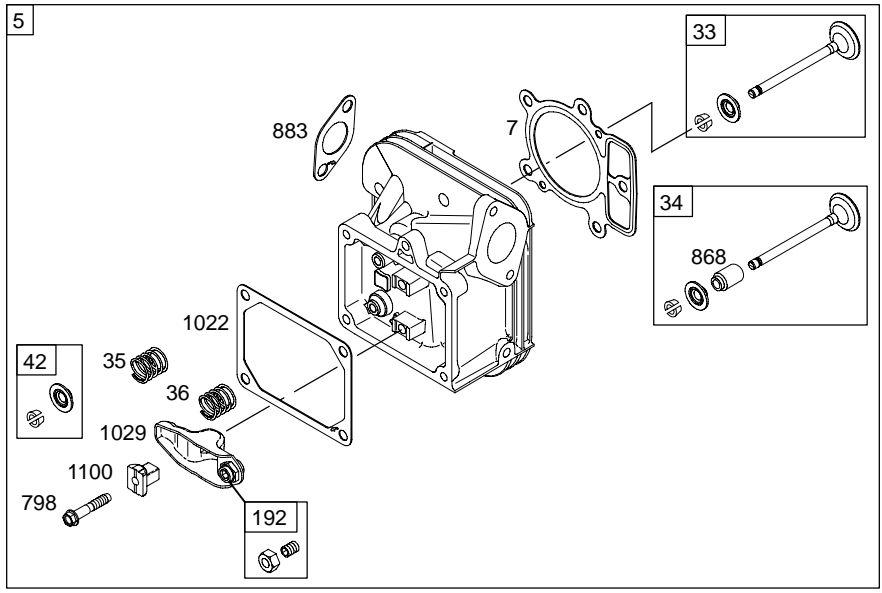


- 1019 LABEL KIT
- 1058 OPERATOR'S MANUAL
- 1330 REPAIR MANUAL



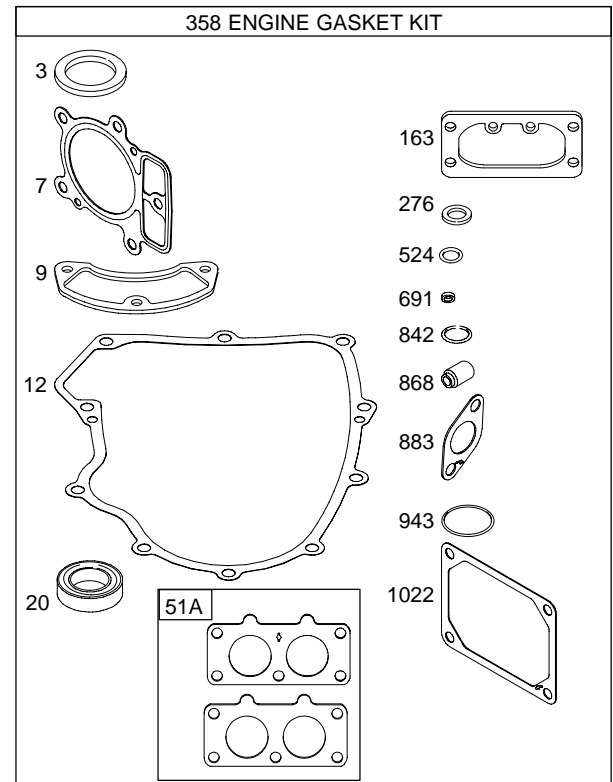
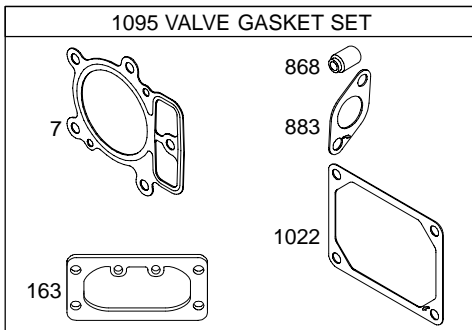
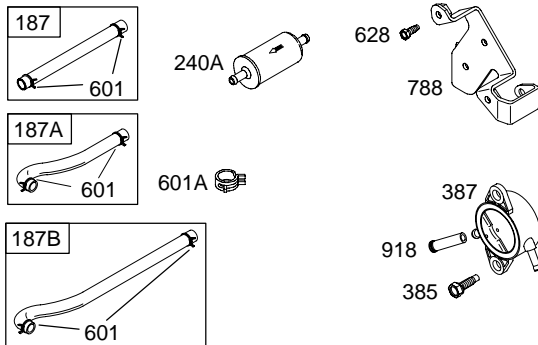
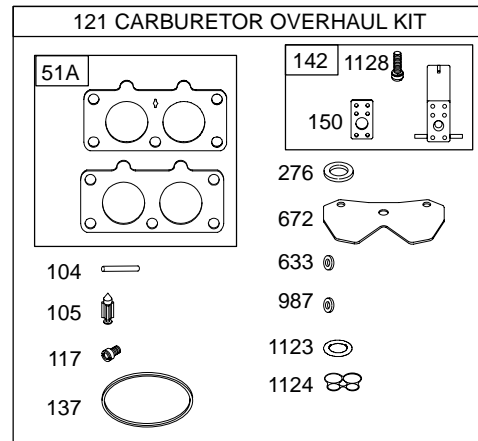
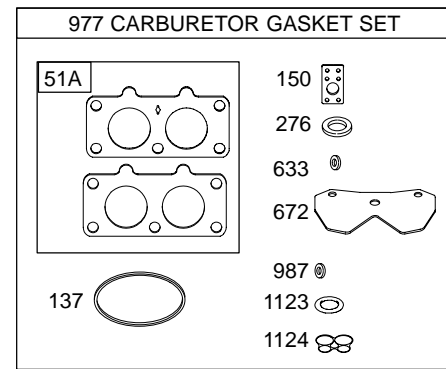
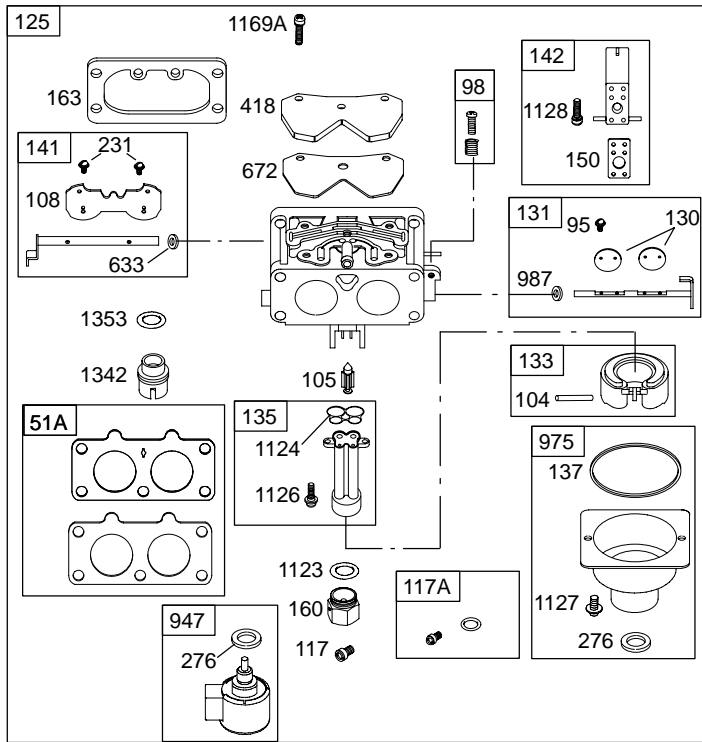
Illustrations cover a range of engines. Parts shown without corresponding text may not be used on your specific engine.
 5193-2 Assemblies include all parts shown in frames. 05/10/2005

40G700

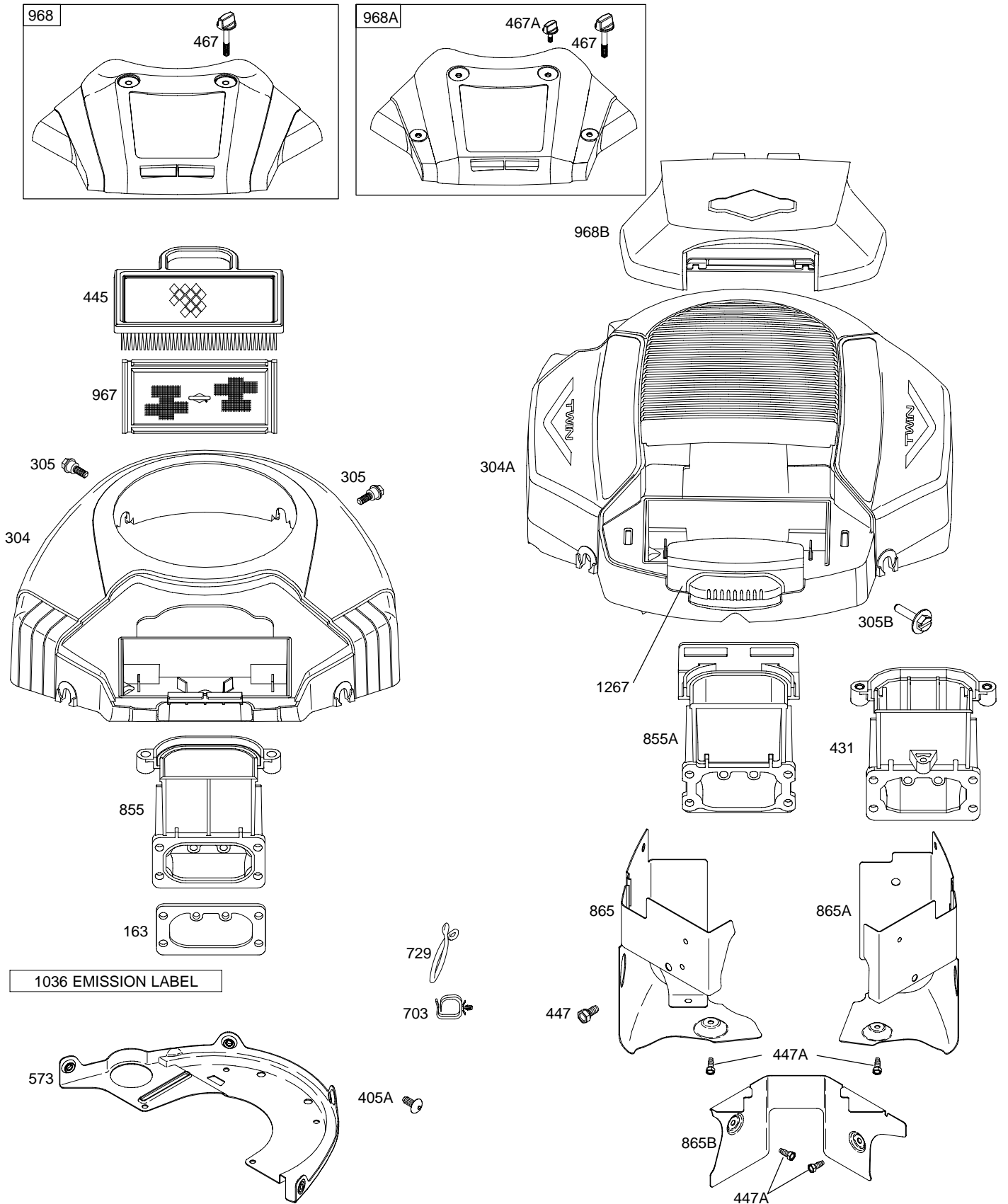


Illustrations cover a range of engines. Parts shown without corresponding text may not be used on your specific engine.
 5193-3 Assemblies include all parts shown in frames. 05/10/2005

40G700

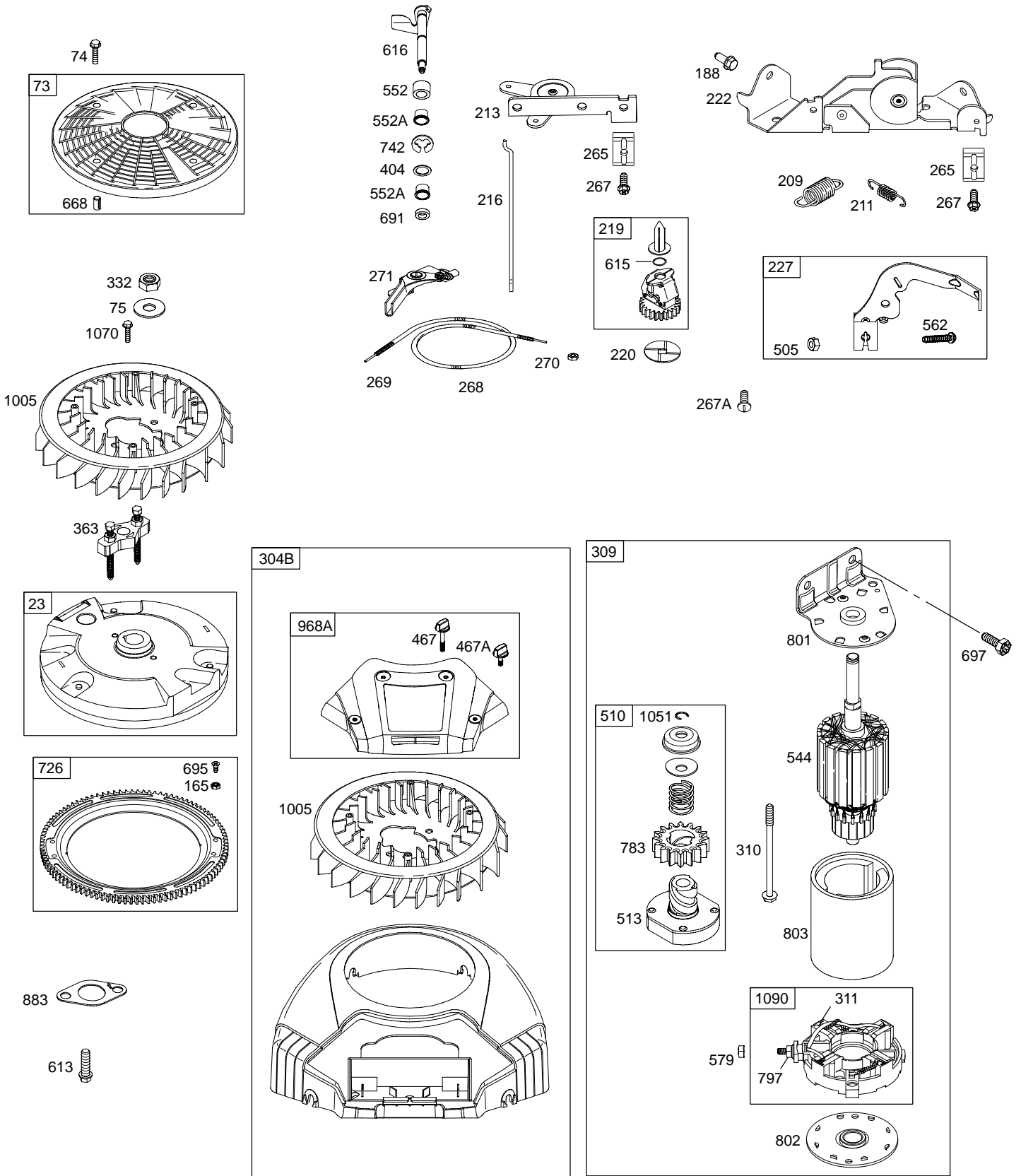


Illustrations cover a range of engines. Parts shown without corresponding text may not be used on your specific engine.
 5193-4 Assemblies include all parts shown in frames. 05/10/2005








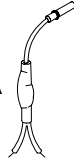


Illustrations cover a range of engines. Parts shown without corresponding text may not be used on your specific engine.
 5193-5 Assemblies include all parts shown in frames. 05/10/2005


40G700



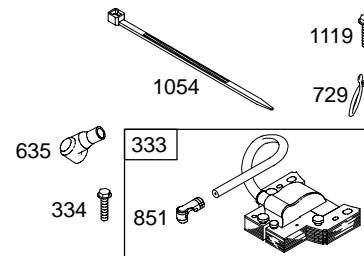
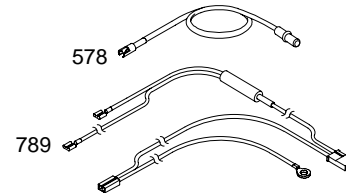
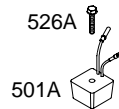
Illustrations cover a range of engines. Parts shown without corresponding text may not be used on your specific engine.
 5193-6 Assemblies include all parts shown in frames.

05/10/2005

DUAL CIRCUIT	TRI CIRCUIT	10 AMP	16 AMP
474B 877 	474C 877B 1059 	474D 877C 1059 	474D 877C 1059 
878 	878A 	578 	578 

NOTE: All stators use a No. 1119 mounting screw. 

NOTE: The proper flywheel part number and/or the alternator magnet size will determine the alternator type or output. See repair instruction manual for additional information.



Illustrations cover a range of engines. Parts shown without corresponding text may not be used on your specific engine.
 5193-7 Assemblies include all parts shown in frames. 05/10/2005

40G700

REF. NO.	PART NO.	DESCRIPTION	REF. NO.	PART NO.	DESCRIPTION	REF. NO.	PART NO.	DESCRIPTION
1	699751	Cylinder Assembly (Used After Code Date 03082800). ----- Note ----- 699742 Cylinder Assembly (Used Before Code Date 03082900).	20	★690947	Seal–Oil (PTO Side)	36	690963	Spring–Valve (Exhaust)
2	499585	Kit–Bushing/Seal (Magneto Side)	22	694966	Screw (Crankcase Cover/Sump)	42	499586	Keeper–Valve
3	★391086	Seal–Oil (Magneto Side)	23	691053	Flywheel ----- Note ----- 691054 Flywheel Used on Type No(s). 0100.	45	690977	Tappet–Valve
4	699747	Sump–Engine (Used After Code Date 03082800). ----- Note ----- 690069 Sump–Engine (Used Before Code Date 03082900).	24	222698	Key–Flywheel	46	790562	Camshaft (Used After Code Date 03082800). ----- Note ----- 690978 Camshaft (Used Before Code Date 03082900).
5	697580	Head–Cylinder (Cylinder 1)	25	698429	Piston Assembly (Standard) ----- Note ----- 698434 Piston Assembly (.020" Oversize)	50A	695241	Manifold–Intake (Plastic)
5A	697581	Head–Cylinder (Cylinder 2)	26	698430	Ring Set (Standard) ----- Note ----- 698437 Ring Set (.020" Oversize)	51	690950	Gasket–Intake
7	★Δ690962	Gasket–Cylinder Head	27	690975	Lock–Piston Pin	51A	★♦791677	Gasket–Intake
8	499601	Breather Assembly	28	690229	Pin–Piston (Standard)	53	690951	Stud (Carburetor)
9	★690937	Gasket–Breather	29	699699	Rod–Connecting (Standard) (Used After Code Date 04010800). ----- Note ----- (For Replacement Connecting Rod, See Reference 16A) (Used Before Code Date 04010900).	54	699816	Screw (Intake Manifold) (Used With Plastic Intake Manifold)
10	691108	Screw (Breather Assembly)	32	690976	Screw (Connecting Rod)	73	494439	Screen–Rotating
11	690942	Tube–Breather	33	697576	Valve–Exhaust	74	698425	Screw (Rotating Screen)
12	★697227	Gasket–Crankcase	34	697464	Valve–Intake	75	691056	Washer (Flywheel)
13	791130	Screw (Cylinder Head)	35	690963	Spring–Valve (Intake)	95	690718	Screw (Throttle Valve)
15	691680	Plug–Oil Drain (1/2" Square Flush)				98	699721	Kit–Idle Speed (Used After Code Date 04091400). ----- Note ----- 499802 Kit–Idle Speed (Used Before Code Date 04091500).
15A	6909460	Plug–Oil Drain				104	♦694918	Pin–Float Hinge (Used After Code Date 04091400). ----- Note ----- 690984 Pin–Float Hinge (Used Before Code Date 04091500).
16	699700	Crankshaft (Used After Code Date 04010800).						
16A	699701	Crankshaft (Includes Connecting Rod) (Used Before Code Date 04010900).						

★ Included in Engine Gasket Set–Ref. No. 358.

● Included in Carburetor Overhaul Kit–Ref. No. 121.

♦ Included in Carburetor Gasket Set–Ref. No. 977.

Δ Included in Valve Gasket Set–Ref. No. 1095.

Illustrations cover a range of engines. Parts shown without corresponding text may not be used on your specific engine.

40G700

REF. NO.	PART NO.	DESCRIPTION	REF. NO.	PART NO.	DESCRIPTION	REF. NO.	PART NO.	DESCRIPTION
105	●698537	Valve-Float Needle (Used After Code Date 04091400). ----- Note ----- 690985 Valve-Float Needle (Used Before Code Date 04091500).	125	699709	Carburetor	160	699727	Retainer-Solenoid (Used After Code Date 04091400). ----- Note ----- 690996 Retainer-Solenoid (Used Before Code Date 04091500).
108	690986	Valve-Choke	130	690993	Valve-Throttle	163	★△691001	Gasket-Air Cleaner
117	●699732	Jet-Main (Standard) (Left or Cylinder 1) (Used After Code Date 04091400). ----- Note ----- 690232 Jet-Main (Standard) (Used Before Code Date 04091500).	131	499805	Kit-Throttle Shaft	165	693148	Nut (Ring Gear)
117A	699733	Jet-Main (Standard) (Right Or Cylinder 2) (Used After Code Date 04091400).	133	699724	Float-Carburetor (Used After Code Date 04091400). ----- Note ----- 499806 Float-Carburetor (Used Before Code Date 04091500).	187	791666	Line-Fuel (Cut To Required Length) (Used After Code Date 05063000). ----- Note ----- 691050 Line-Fuel (Cut To Required Length) (Used Before Code Date 05070100). 791745 Line-Fuel (Cut To Required Length) Used on Type No(s). 0114.
118	790890	Jet-Main (High Altitude) (Left or Cylinder 1) (Used After Code Date 04091400).	135	699729	Tube-Fuel Transfer (Used After Code Date 04091400). ----- Note ----- 499803 Tube-Fuel Transfer (Used Before Code Date 04091500).	187A	791744	Line-Fuel (Molded) (Used After Code Date 05063000). ----- Note ----- 691049 Line-Fuel (Molded) (Used Before Code Date 05070100).
118A	699458	Jet-Main (High Altitude) (Right Or Cylinder 2) (Used After Code Date 04091400).	137	◆690994	Gasket-Float Bowl	187B	698742	Line-Fuel (Molded)
121	699734	Kit-Carburetor Overhaul (Used After Code Date 04091400). ----- Note ----- 499811 Kit-Carburetor Overhaul (Used Before Code Date 04091500).	141	699722	Kit-Choke Shaft (Used After Code Date 04091400). ----- Note ----- 499807 Kit-Choke Shaft (Used Before Code Date 04091500).	188	691108	Screw (Control Bracket)
			142	●699726	Nozzle-Carburetor (Standard) (Used After Code Date 04091400). ----- Note ----- 499808 Nozzle-Carburetor (Standard) (Used Before Code Date 04091500).	192	690083	Adjuster-Rocker Arm
			146	690979	Key-Timing			
			150	◆690995	Gasket-Nozzle			

★ Included in Engine Gasket Set-Ref. No. 358.

● Included in Carburetor Overhaul Kit-Ref. No. 121.

◆ Included in Carburetor Gasket Set-Ref. No. 977.

△ Included in Valve Gasket Set-Ref. No. 1095.

Illustrations cover a range of engines. Parts shown without corresponding text may not be used on your specific engine.

40G700

REF. NO.	PART NO.	DESCRIPTION	REF. NO.	PART NO.	DESCRIPTION	REF. NO.	PART NO.	DESCRIPTION
209	697674	Spring-Governor (Brown) ----- Note ----- 698071 Spring-Governor (White) Used on Type No(s). 0100, 0101, 0116. 692909 Spring-Governor (Yellow) Used on Type No(s). 0100, 0111.	268	691025	Casing-Control Wire	404	690442	Washer (Governor Crank)
			269	691026	Wire-Control (Cut To Required Length)	405A	697820	Screw (Back Plate)(Mounting)
			270	691027	Nut (Control Wire Casing)	415	690283	Plug (Sump)
			271	691028	Lever-Control	418	690999	Plate-Carburetor
211	691019	Spring-Governed Idle	276	690997	Washer-Sealing	445	698754	Filter-Air Cleaner Cartridge ----- Note ----- 499486 Filter-Air Cleaner Cartridge Used on Type No(s). 0114.
212	695238	Link-Throttle (Used With Plastic Intake Manifold)	304A	698073	Housing-Blower (Black) Used on Type No(s). 0115, 0116, 0181, 0383.	447	691003	Screw (Air Guide Cover)
213	691021	Bracket-Choke Control	304B	790692	Housing-Blower (Used Before Code Date 04080400).	447A	691108	Screw (Air Guide Cover)
216	691022	Link-Choke	305	691005	Screw (Blower Housing)	467	691008	Knob-Air Cleaner
219	698231	Gear-Governor	305B	790690	Screw (Blower Housing) (19/32" Long)	467A	790697	Knob-Air Cleaner (1 1/2" Long)
220	690412	Washer (Governor Gear)	309	497401	Motor-Starter	474B	696459	Alternator (Dual Circuit) Used on Type No(s). 0100, 0101.
222	698761	Bracket-Control	310	691263	Screw (Starter Motor)	474C	696457	Alternator (Tri Circuit) Used on Type No(s). 0383.
227	691048	Lever-Governor Control	311	497608	Brush Set	474D	696458	Alternator (10-16 Amp Regulated)
231	690718	Screw (Choke Valve)	332	691059	Nut (Flywheel)	501	691185	Regulator (10-16 Amp Regulated)
239	491657	Switch-Oil Pressure ----- Note ----- 697049 Switch-Oil Pressure Used on Type No(s). 0116.	333	691060	Armature-Magneto	501A	691188	Regulator (Tri Circuit) Used on Type No(s). 0383.
240A	695666	Filter-Fuel	334	691061	Screw (Magneto Armature)	505	691029	Nut (Governor Control Lever)
250	690957	Retainer-Breather	337	491055	Plug-Spark			
252	690956	Collector-Oil	357	691483	Key-Drive Pulley			
265	691024	Clamp-Casing	358	694012	Gasket Set-Engine			
267	691044	Screw (Casing Clamp) (Hex Head)	363	19203	Puller-Flywheel			
267A	695134	Screw (Casing Clamp) (Pan Head)	383	19374	Wrench-Spark Plug			
			385	691108	Screw (Fuel Pump)			
			387	808656	Pump-Fuel			

★ Included in Engine Gasket Set-Ref. No. 358.

● Included in Carburetor Overhaul Kit-Ref. No. 121.

◆ Included in Carburetor Gasket Set-Ref. No. 977.

△ Included in Valve Gasket Set-Ref. No. 1095.

Illustrations cover a range of engines. Parts shown without corresponding text may not be used on your specific engine.

40G700

REF. NO.	PART NO.	DESCRIPTION	REF. NO.	PART NO.	DESCRIPTION	REF. NO.	PART NO.	DESCRIPTION
510	696541	Drive-Starter	695	693149	Screw (Ring Gear)	877B	393537	Wire/Connector- Alternator
513	692024	Clutch-Drive	697	690372	Screw (Drive Cap)			(Tri Circuit)
523	691036	Dipstick	703	691010	Clip			Used on Type No(s).
524	★691032	Seal-Dipstick Tube	718	690959	Pin-Locating	877C	399916	Wire/Connector- Alternator
525	691037	Tube-Dipstick	726	499612	Gear-Ring			(10-16 Amp
526	691108	Screw (Regulator) (10-16 Amp Regulated)	729	694123	Clip-Wire			Regulated)
544		Armature-Starter (Service With 497401 Starter Motor Only)	741	690980	Gear-Timing	878	691237	Harness-Alternator (Dual Circuit)
552	690552	Bushing-Governor Crank	742	690328	Retainer-E Ring	878A	691955	Harness-Alternator (Tri Circuit)
552A	690553	Bushing-Governor Crank	750	696999	Screw (Oil Pump Cover)			Used on Type No(s).
562	690311	Bolt (Governor Control Lever)	783	695708	Gear-Pinion			0383.
573	790444	Plate-Back	788	691039	Bracket-Fuel Pump	883	★690970	Gasket-Exhaust
578	691208	Wire Assembly	789	691220	Harness-Wiring	914	691127	Screw (Rocker Cover)
579	691029	Nut (Starter Cable)	797	693167	Nut (Brush Retainer)	918	694000	Hose-Vacuum
601	95162	Clamp-Hose (Zinc Plate) (Spring Wire)	798	697890	Screw (Rocker Arm)	929	695239	Screw (Choke Control Bracket)
601A	691038	Clamp-Hose (Black)(Spring Steel)	801	691283	Cap-Drive			(Used With Plastic Intake Manifold)
613	690341	Screw (Muffler)	802	691286	Cap-End	943	★690589	Seal-O Ring (Oil Pump Cover)
615	698290	Retainer-Governor Shaft	803		Housing-Starter (Service With 497401 Starter Motor Only)	947	699728	Solenoid-Fuel (Used After Code Date 04091400).
616	691045	Crank-Governor	842	★691031	Seal-O Ring (Dipstick Tube)			----- Note -----
617	697891	Seal-O Ring	847	499602	Dipstick/Tube Assembly			499809 Solenoid-Fuel (Used Before Code Date 04091500).
628	691108	Screw (Fuel Pump Bracket)	851	493880	Terminal-Spark Plug	965	499613	Cover-Oil Pump
633	◆690998	Seal-Choke/Throttle Shaft	855	691011	Adapter-Air Cleaner	967	273638	Filter-Pre Cleaner
635	66538	Boot-Spark Plug	855A	698072	Adapter-Air Cleaner Used on Type No(s). 0100, 0101, 0115.			
654	690958	Nut (Carburetor)	865	691012	Cover-Air Guide (Cylinder 1)			
668	691215	Spacer	865A	691014	Cover-Air Guide (Cylinder 2)			
672	◆690234	Gasket-Carburetor Plate	865B	691015	Cover-Air Guide (Valley)			
691	★690657	Seal-Governor Shaft	868	★△690968	Seal-Valve			
			877	393456	Wire/Connector- Alternator (Dual Circuit)			

★ Included in Engine Gasket Set-Ref. No. 358.

● Included in Carburetor Overhaul Kit-Ref. No. 121.

◆ Included in Carburetor Gasket Set-Ref. No. 977.

△ Included in Valve Gasket Set-Ref. No. 1095.

Illustrations cover a range of engines. Parts shown without corresponding text may not be used on your specific engine.

40G700

REF. NO.	PART NO.	DESCRIPTION	REF. NO.	PART NO.	DESCRIPTION	REF. NO.	PART NO.	DESCRIPTION	
968	790689	Cover–Air Cleaner (Used After Code Date 04080300). Used on Type No(s). 0100, 0110, 0111, 0112, 0114. ----- Note -----	1013	690954	Nipple–Oil Filter	1090	691293	Retainer–Brush	
	790095	Cover–Air Cleaner (Used Before Code Date 04080400). Used on Type No(s). 0100, 0110, 0111, 0112, 0114.	1017	690770	Screen–Oil Pump	1095	694013	Gasket Set–Valve	
968A	790096	Cover–Air Cleaner	1019	790094	Kit–Label	1100	690973	Pivot–Rocker Arm	
975	499810	Bowl–Float	1022	★△690971	Gasket–Rocker Cover	1119	691183	Screw (Alternator)	
977	699735	Gasket Set–Carburetor (Used After Code Date 04091500). ----- Note -----	1023	499599	Cover–Rocker (Cylinder 1)	1123	◆◆699725	Seal–O Ring (Solenoid Retainer) (Used After Code Date 04091400). ----- Note -----	
	499812	Gasket Set–Carburetor (Used Before Code Date 04091500).	1023A	499600	Cover–Rocker (Cylinder 2)	690987	Seal–O Ring (Solenoid Retainer) (Used Before Code Date 04091500).		
987	◆◆691000	Seal–Throttle Shaft	1024	499054	Pump–Oil	1124	◆◆690988	Seal–O Ring (Fuel Transfer Tube)	
1005	790698	Fan–Flywheel (Used After Code Date 04080300). ----- Note -----	1026	690981	Rod–Push (Steel)	1126	690991	Screw (Fuel Transfer Tube)	
	499603	Fan–Flywheel (Used Before Code Date 04080400).	1026A	690982	Rod–Push (Aluminum)	1127	690992	Screw (Float Bowl)	
	698760	Fan–Flywheel Used on Type No(s). 0115, 0116, 0181, 0383.	1027A	696854	Filter–Oil	1128	◆690990	Screw (Carburetor Nozzle)	
			1029	690972	Arm–Rocker	1169A	693140	Screw (Carburetor Cover Plate)	
			1035	691042	Shaft–Pump	1267	698440	Latch–Blower Housing Used on Type No(s). 0115, 0116, 0181, 0383.	
			1036	790626	Label–Emissions (Used After Code Date 04120700). ----- Note -----	1330	273521	Repair Manual	
					790625	Label–Emissions (Used After Code Date 04063000 and Before Code Date 04120800). Used on Type No(s). 0114.	1342	699731	Extension–Fuel Transfer Tube
					695704	Label–Emissions (Used Before Code Date 04070100).	1353	699725	Seal–O Ring (Fuel Transfer Tube Extension)
			1051	691265	Ring–Retaining				
			1054	280275	Tie–Cable				
			1058	276245	Operator’s Manual (Emission)				
			1059	698516	Kit–Screw/Washer				
			1070	690372	Screw (Flywheel Fan)				

★ Included in Engine Gasket Set–Ref. No. 358.

● Included in Carburetor Overhaul Kit–Ref. No. 121.

◆ Included in Carburetor Gasket Set–Ref. No. 977.

△ Included in Valve Gasket Set–Ref. No. 1095.

Illustrations cover a range of engines. Parts shown without corresponding text may not be used on your specific engine.