



407700

Illustrated Parts List

Model Series

407700

TYPE NUMBERS
0027 through 0405.

TABLE OF CONTENTS

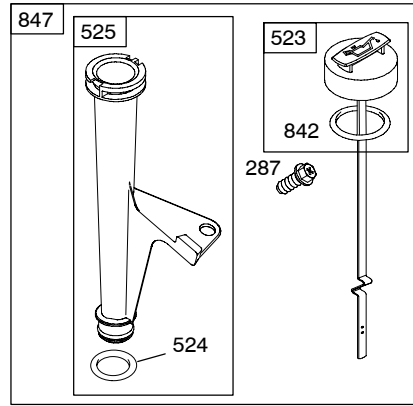
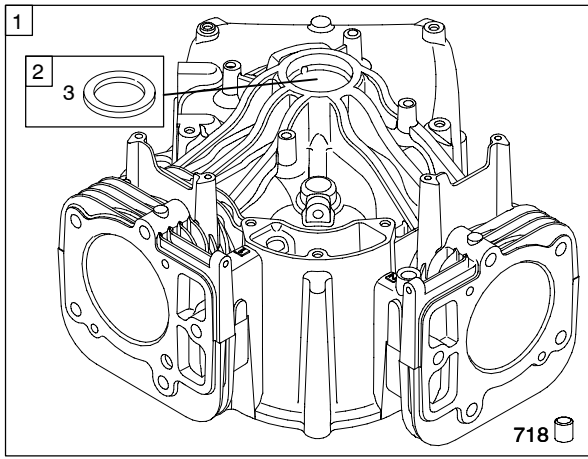
Air Cleaner	6
Alternator	8
Blower Housing	6
Camshaft	2
Carburetor	4, 5
Controls	7
Engine Sump	2
Crankshaft	2
Cylinder	2
Cylinder Head	3
Electric Starter	7
Flywheel	7
Gasket Set - Engine	4
Gasket Set - Valve	4
Governor Spring	7
Kit - Carburetor Overhaul	4
Piston	2
Valves	3



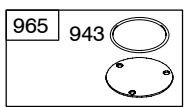
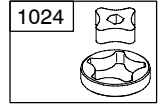
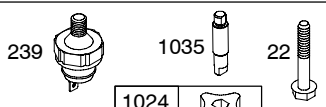
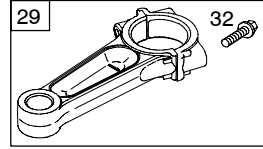
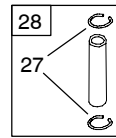
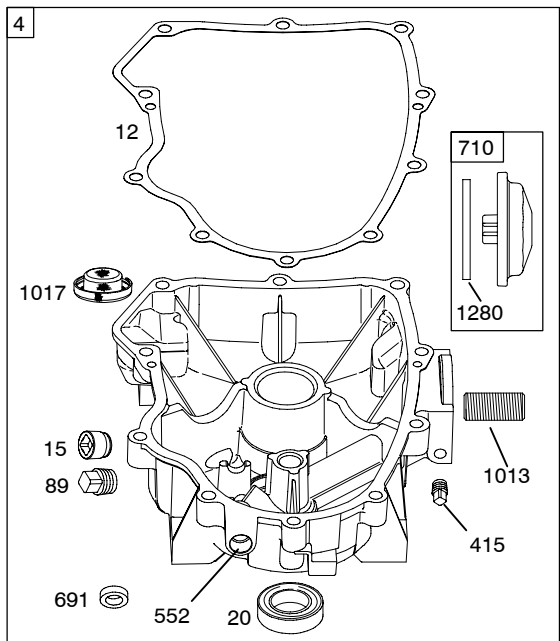
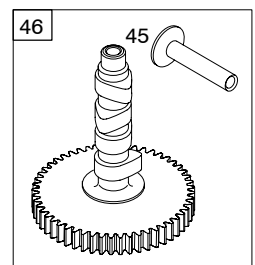
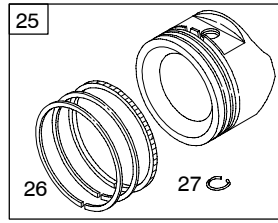
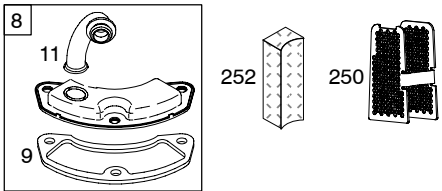
PRINTED IN U.S.A.

COPYRIGHT by BRIGGS & STRATTON CORPORATION
All rights reserved. No part of this material may be reproduced or transmitted, in any form or by any means, electronic or mechanical, including photocopying, recording or by any information storage and retrieval system, without permission in writing from Briggs & Stratton Corporation.

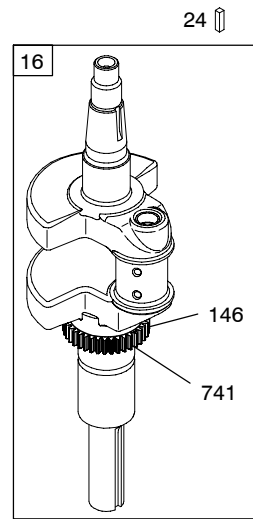
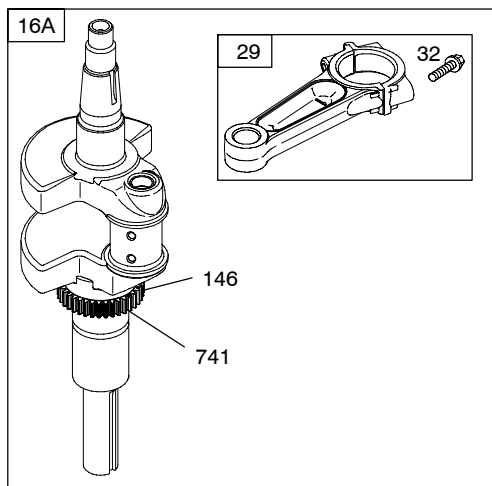
407700



10



750

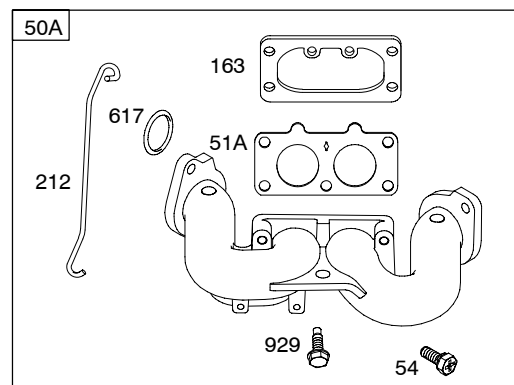
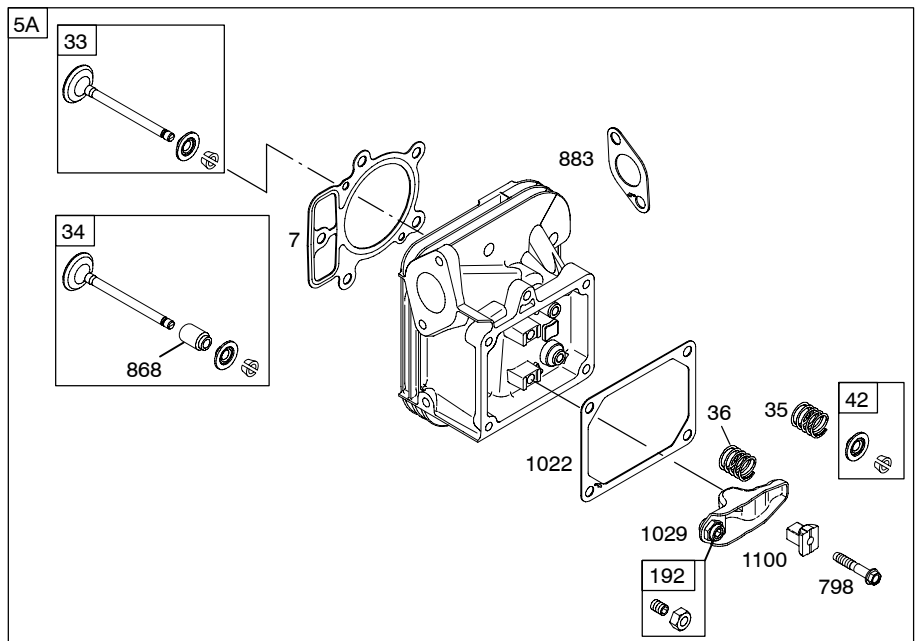
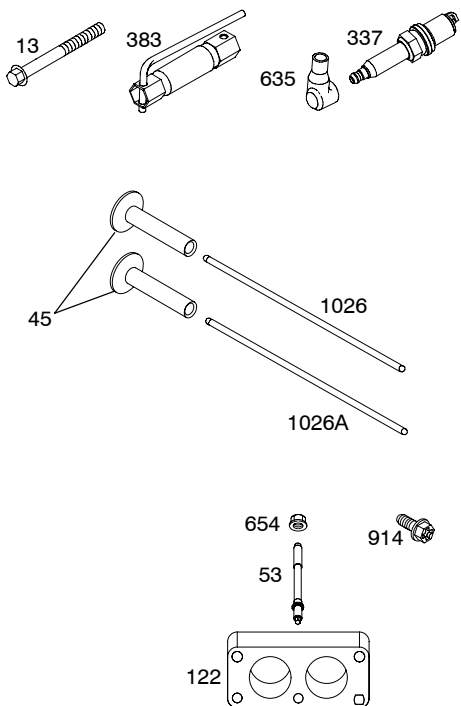
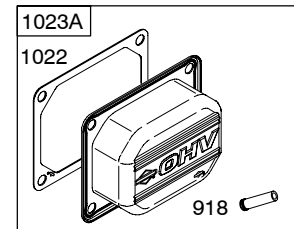
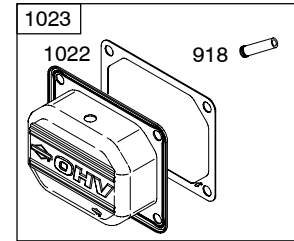
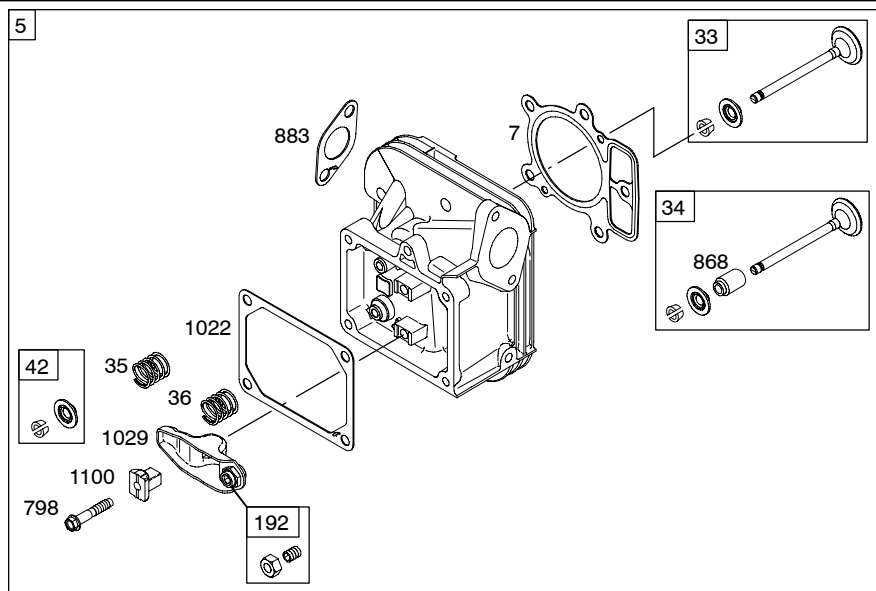


1019 LABEL KIT

1058 OPERATOR'S MANUAL

1330 REPAIR MANUAL

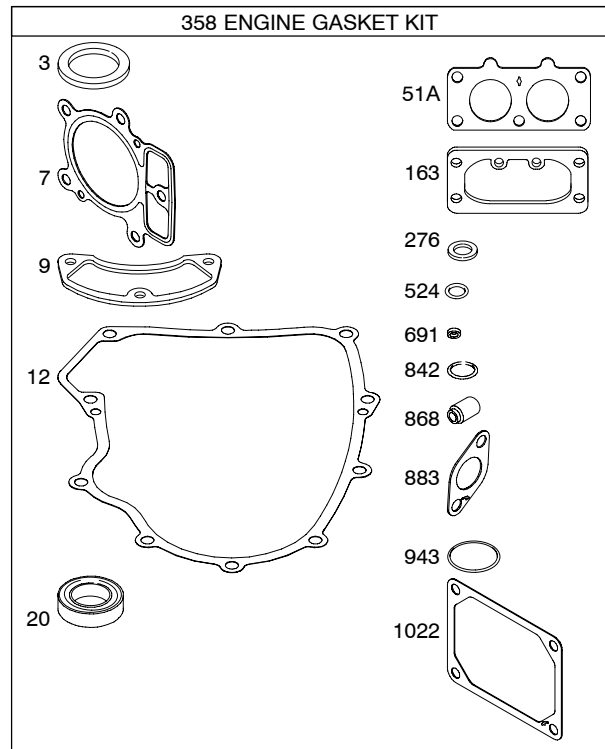
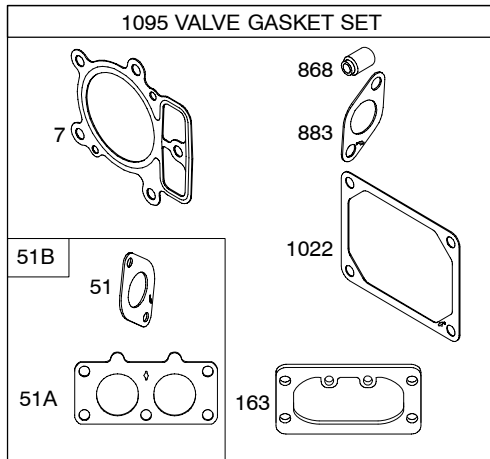
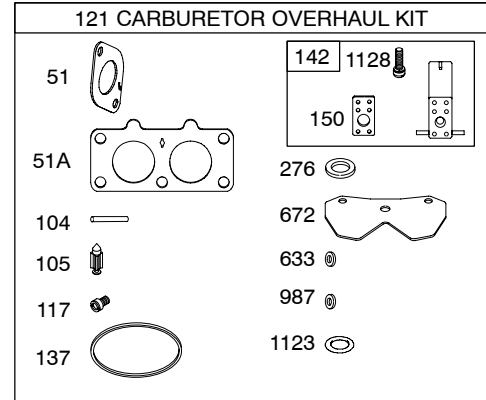
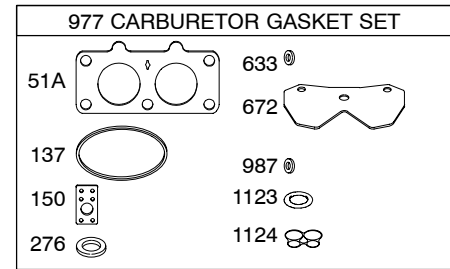
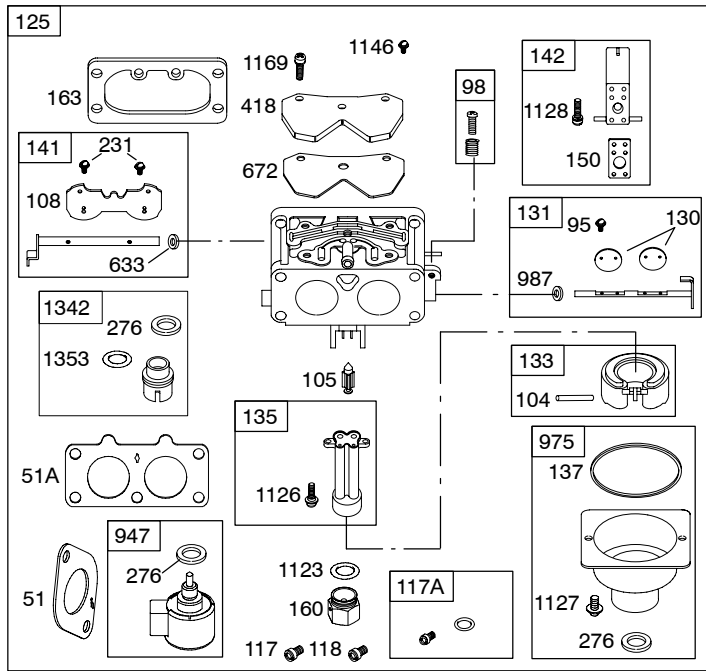
Illustrations cover a range of engines. Parts shown without corresponding text may not be used on your specific engine.
 2987-2 Assemblies include all parts shown in frames. 10/13/2004



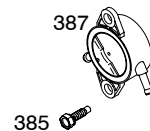
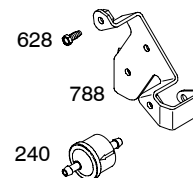
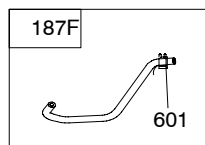
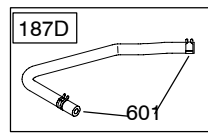
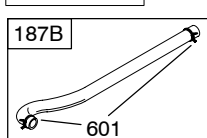
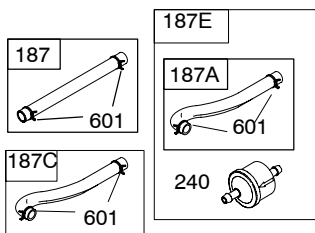
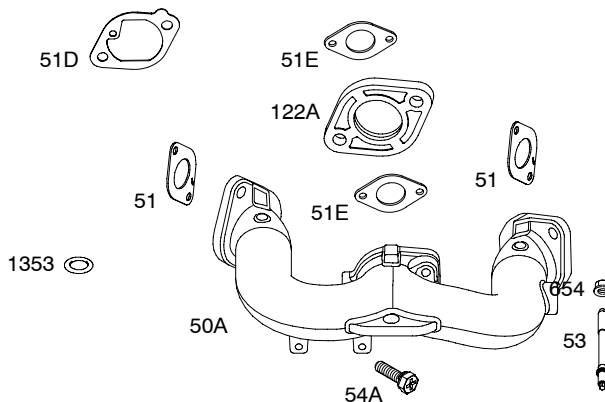
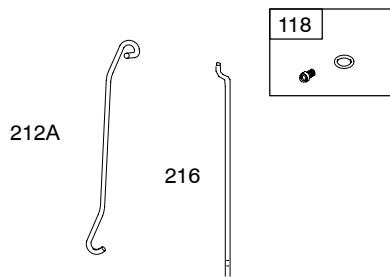
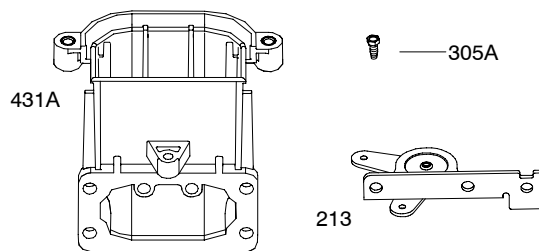
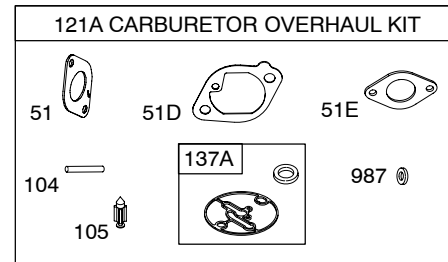
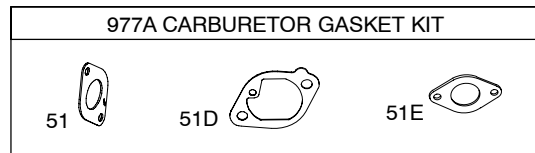
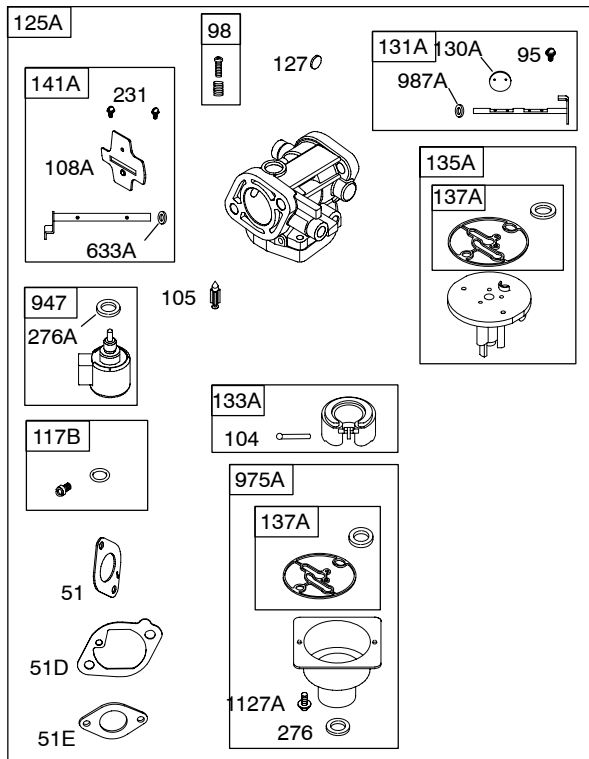
929A 

Illustrations cover a range of engines. Parts shown without corresponding text may not be used on your specific engine.
 2987-3 Assemblies include all parts shown in frames. 10/13/2004

407700

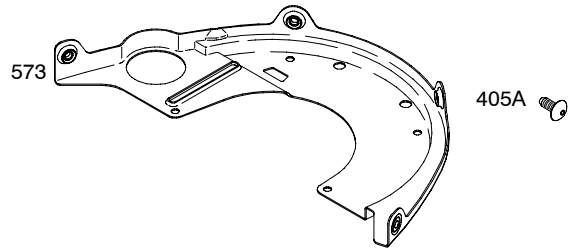
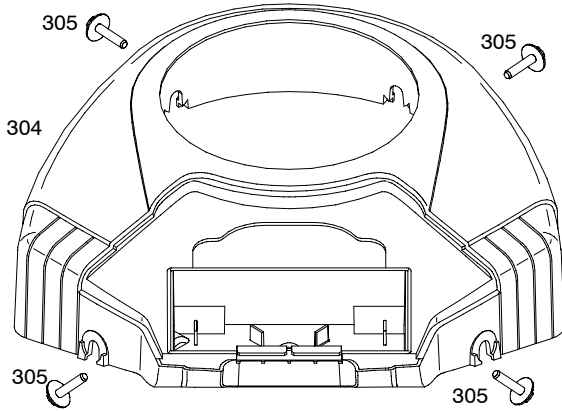
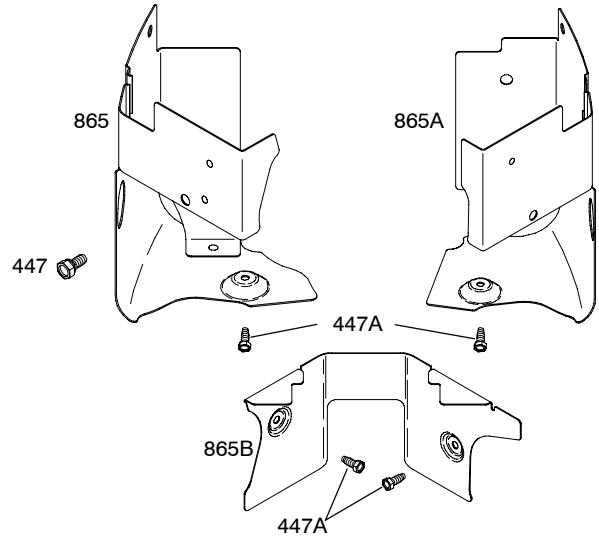
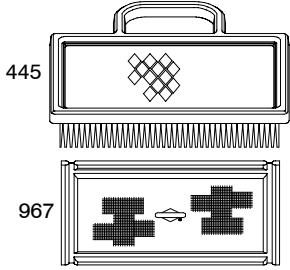
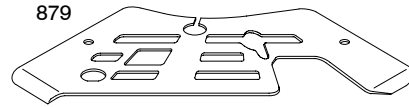
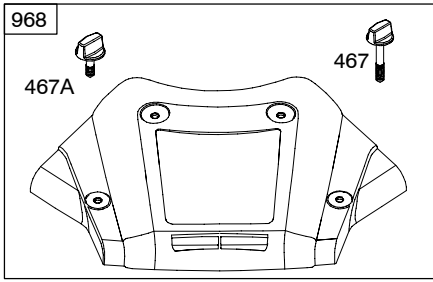


Illustrations cover a range of engines. Parts shown without corresponding text may not be used on your specific engine.
 2987-4 Assemblies include all parts shown in frames. 10/13/2004

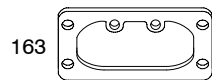
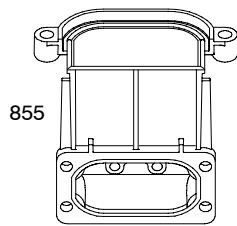
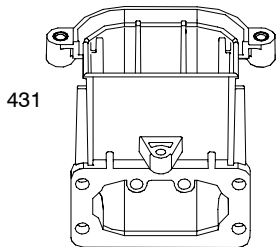


Illustrations cover a range of engines. Parts shown without corresponding text may not be used on your specific engine.
 2987-5 Assemblies include all parts shown in frames. 10/13/2004

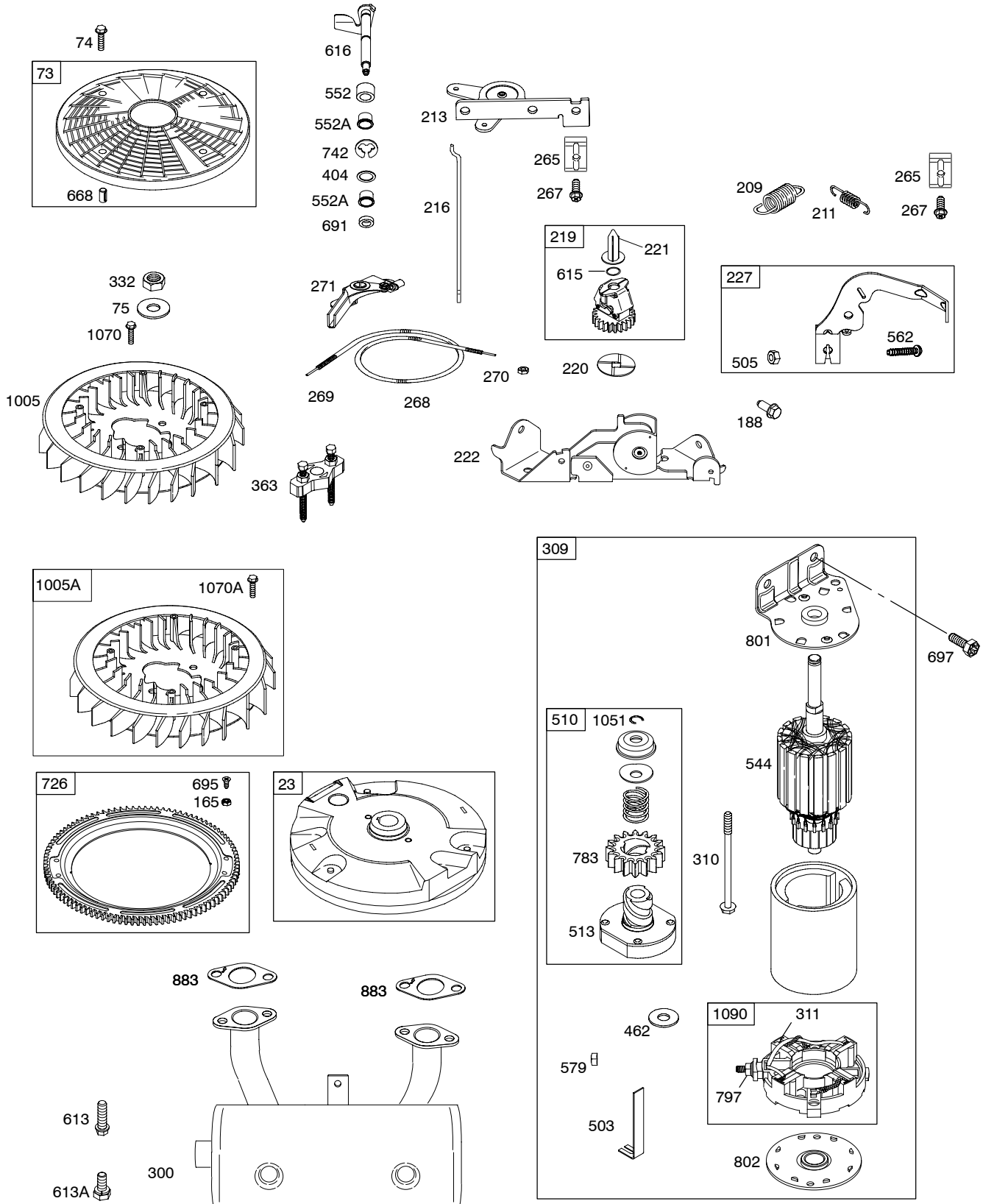
407700



1036 EMISSION LABEL




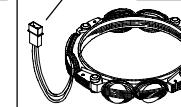
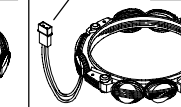

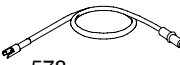
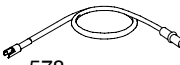



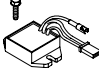


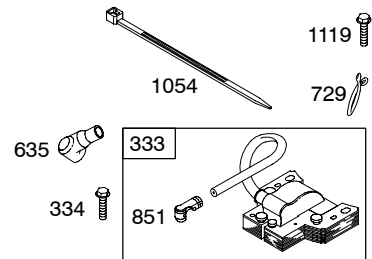
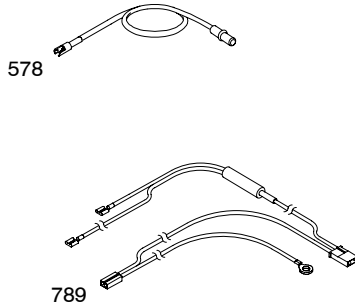
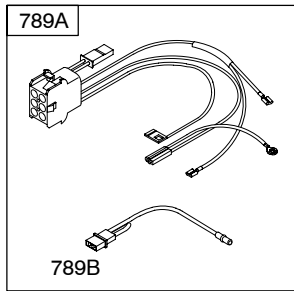
Illustrations cover a range of engines. Parts shown without corresponding text may not be used on your specific engine.
2987-6 Assemblies include all parts shown in frames. 10/13/2004



Illustrations cover a range of engines. Parts shown without corresponding text may not be used on your specific engine.
 2987-7 Assemblies include all parts shown in frames. 10/13/2004

407700

DUAL CIRCUIT	TRI CIRCUIT	9 AMP	10 AMP	16 AMP
<div style="display: flex; justify-content: space-around;"> <div style="border: 1px solid black; padding: 2px;">474B</div> <div style="border: 1px solid black; padding: 2px;">1059</div> </div> 	<div style="display: flex; justify-content: space-around;"> <div style="border: 1px solid black; padding: 2px;">474C</div> <div style="border: 1px solid black; padding: 2px;">1059</div> </div> 	<div style="display: flex; justify-content: space-around;"> <div style="border: 1px solid black; padding: 2px;">474C</div> <div style="border: 1px solid black; padding: 2px;">1059</div> </div> 	<div style="display: flex; justify-content: space-around;"> <div style="border: 1px solid black; padding: 2px;">474D</div> <div style="border: 1px solid black; padding: 2px;">1059</div> </div> 	<div style="display: flex; justify-content: space-around;"> <div style="border: 1px solid black; padding: 2px;">474D</div> <div style="border: 1px solid black; padding: 2px;">1059</div> </div> 
				
<p>NOTE: All Stators Use a No. 1119 Mounting Screw. </p> <p>NOTE: The proper flywheel part number and/or the alternator magnet size will determine the alternator type or output. See repair instruction manual for additional information.</p>		<div style="display: flex; align-items: center;"> <div style="border: 1px solid black; padding: 2px; margin-right: 10px;">501A</div>  </div>	<div style="display: flex; align-items: center;"> <div style="border: 1px solid black; padding: 2px; margin-right: 10px;">501</div>  </div>	



Illustrations cover a range of engines. Parts shown without corresponding text may not be used on your specific engine.
 2987-8 Assemblies include all parts shown in frames. 10/13/2004

407700

REF. NO.	PART NO.	DESCRIPTION	REF. NO.	PART NO.	DESCRIPTION	REF. NO.	PART NO.	DESCRIPTION
1	699751	Cylinder Assembly (Used After Code Date 03090100). ----- Note ----- 699742 Cylinder Assembly (Used Before Code Date 03090200).	16	699700	Crankshaft (Used After Code Date 03122700). ----- Note ----- 790132 Crankshaft (Used After Code Date 03122700). Used on Type No(s). 0120, 0122, 0171, 0218.	25	499588	Piston Assembly (Standard) ----- Note ----- 499590 Piston Assembly (.020" Oversize) 698429 Piston Assembly Used on Type No(s). 0405.
2	499585	Kit-Bushing/Seal (Magneto Side)	16A	699701	Crankshaft (Includes Connecting Rod) (Used Before Code Date 03122800). ----- Note ----- 790133 Crankshaft (Includes Connecting Rod) (Used Before Code Date 03122800). Used on Type No(s). 0120, 0122, 0171, 0218.	26	499604	Ring Set (Standard) ----- Note ----- 499606 Ring Set (.020" Oversize) 499606 Ring Set Used on Type No(s). 0405.
3	*391086	Seal-Oil (Magneto Side)	20	*791892	Seal-Oil (PTO Side)	27	690975	Lock-Piston Pin
4	699747	Sump-Engine (Used After Code Date 03090100). ----- Note ----- 690069 Sump-Engine (Used Before Code Date 03090200). 699752 Sump-Engine (Used After Code Date 03090100). Used on Type No(s). 0147, 0167, 0184, 0205. 697473 Sump-Engine (Used Before Code Date 03090200). Used on Type No(s). 0147, 0167, 0184, 0205.	22	694966	Screw (Crankcase Cover/Sump)	28	690229	Pin-Piston (Standard)
5	693998	Head-Cylinder (Cylinder 1)	23	691053	Flywheel ----- Note ----- 691054 Flywheel Used on Type No(s). 0100, 0102, 0105, 0119, 0124, 0137, 0147, 0156, 0167, 0174, 0176, 0184, 0187, 0219, 0229, 0255, 0268, 0607.	29	699699	Rod-Connecting (For Replacement Connecting Rod, See Reference 16A) (Used After Code Date 03122700). ----- Note ----- (For Replacement Connecting Rod, See Reference 16A) (Used Before Code Date 03122800).
5A	693999	Head-Cylinder (Cylinder 2)	24	222698	Key-Flywheel	32	690976	Screw (Connecting Rod)
7*	690962	Gasket-Cylinder Head				33	499596	Valve-Exhaust
8	499601	Breather Assembly				34	697464	Valve-Intake
9	*690937	Gasket-Breather				35	690963	Spring-Valve (Intake)
10	691108	Screw (Breather Assembly)				36	690963	Spring-Valve (Exhaust)
11	690942	Tube-Breather						
12	*697227	Gasket-Crankcase						
13	791130	Screw (Cylinder Head)						
15	691680	Plug-Oil Drain (1/2" Square Flush)						

* Included in Engine Gasket Set-Ref. No.358.

● Included in Carburetor Overhaul Kit-Ref. No. 121.

◆ Included in Carburetor Gasket Set-Ref. No. 977.

△ Included in Valve Gasket Set-Ref. No 1095.

Illustrations cover a range of engines. Parts shown without corresponding text may not be used on your specific engine.

2987-9

Assemblies include all parts shown in frames.

10/13/2003

407700

REF. NO.	PART NO.	DESCRIPTION	REF. NO.	PART NO.	DESCRIPTION	REF. NO.	PART NO.	DESCRIPTION
42	499586	Keeper-Valve	98	699721	Kit-Idle Speed (Used After Code Date 04080300).	118	699820	Jet-Main (High Altitude) (Used After Code Date 04080300).
45	690977	Tappet-Valve			----- Note -----			----- Note -----
46	790562	Camshaft (Used After Code Date 04082300).			499802 Kit-Idle Speed (Used Before Code Date 04080400).			690989 Jet-Main (High Altitude) (Used Before Code Date 04080400).
		----- Note -----	104	●694918	Pin-Float Hinge (Used After Code Date 04080300).	121	699734	Kit-Carburetor Overhaul
	690978	Camshaft (Used Before Code Date 03082900).			----- Note -----	121A	699814	Kit-Carburetor Overhaul Used on Type No(s). 0607.
50A	695241	Manifold-Intake (Plastic)			690984 Pin-Float Hinge (Used Before Code Date 04080400).	122	690952	Spacer-Carburetor (Used Before Code Date 00102100).
51★●△690949		Gasket-Intake			----- Note -----	122A	699802	Spacer-Carburetor Used on Type No(s). 0607.
51A★●◆690950		Gasket-Intake			690985 Valve-Float Needle (Used Before Code Date 04080400).	125	699709	Carburetor
51B★●◆791677		Gasket-Intake			----- Note -----	125A	699807	Carburetor Used on Type No(s). 0607.
51D★●◆699800		Gasket-Intake Used on Type No(s). 0607.	105	●698537	Valve-Float Needle (Used After Code Date 04080300).	130	690993	Valve-Throttle
51E★●◆699803		Gasket-Intake Used on Type No(s). 0607.			----- Note -----	130A	699809	Valve-Throttle Used on Type No(s). 0607.
53	690951	Stud (Carburetor)			690986 Valve-Choke (Used Before Code Date 04080400).	131	499805	Kit-Throttle Shaft
54	699816	Screw (Intake Manifold) (Used After Code Date 04110400).	108	699723	Valve-Choke (Used After Code Date 04080300).	131A	699812	Kit-Throttle Shaft Used on Type No(s). 0607.
		----- Note -----			----- Note -----	133	699724	Float-Carburetor (Used After Code Date 04080300).
	695240	Screw (Intake Manifold) (Used Before Code Date 04110500).	108A	699808	Valve-Choke Used on Type No(s). 0607.			----- Note -----
	695239	Screw (Intake Manifold) Used on Type No(s). 0405.			----- Note -----			499806 Float-Carburetor (Used Before Code Date 04080400).
54A	691003	Screw (Intake Manifold) Used on Type No(s). 0607.	117	699732	Jet-Main (Standard) (Used After Code Date 04080300).	133A	694914	Float-Carburetor Used on Type No(s). 0607.
73	494439	Screen-Rotating			----- Note -----			
74	698425	Screw (Rotating Screen)			690232 Jet-Main (Standard) (Used Before Code Date 04080400).			
75	691056	Washer (Flywheel)	117A	699733	Jet-Main (Standard) (Used After Code Date 04080300).			
89	690946	Plug-Oil (Used After Code Date 03090100). Used on Type No(s). 00247, 0102, 0147, 0167, 0184, 0205.	117B	791406	Jet-Main (Standard) Used on Type No(s). 0607.			
95	690718	Screw (Throttle Valve)						

★ Included in Engine Gasket Set-Ref. No.358.

● Included in Carburetor Overhaul Kit-Ref. No. 121.

◆ Included in Carburetor Gasket Set-Ref. No. 977.

△ Included in Valve Gasket Set-Ref. No 1095.

Illustrations cover a range of engines. Parts shown without corresponding text may not be used on your specific engine.

407700

REF. NO.	PART NO.	DESCRIPTION	REF. NO.	PART NO.	DESCRIPTION	REF. NO.	PART NO.	DESCRIPTION
135	●699729	Tube-Fuel Transfer (Used After Code Date 04080300). ----- Note -----	187C	791801	Line-Fuel (Molded) Used on Type No(s). 0405.	212A	699805	Link-Throttle (Used With Plastic Intake Manifold) Used on Type No(s). 0607.
	499803	Tube-Fuel Transfer (Used Before Code Date 04080400).	187D	791881	Line-Fuel (Molded)	213	691021	Bracket-Choke Control
135A	●792022	Tube-Fuel Transfer Used on Type No(s). 0607.	187E	693180	Hose-Filter Assy. (Used Before Code Date 05070100).	216	691022	Link-Choke
137	●690994	Gasket-Float Bowl	187F	791872	Hose-Filter Assy. Used on Type No(s). 0607.	219	698231	Gear-Governor
137A	●698781	Gasket-Float Bowl Used on Type No(s). 0607.	188	691108	Screw (Control Bracket)			
141	699722	Kit-Choke Shaft	192	690083	Adjuster-Rocker Arm			
141A	699811	Kit-Choke Shaft Used on Type No(s). 0607.	209	692909	Spring-Governor (Yellow) ----- Note -----			
142	●699726	Nozzle-Carburetor (Standard) (Used After Code Date 04080300). ----- Note -----		693102	Spring-Governor (Orange) Used on Type No(s). 0117, 0156, 0176, 0255, 0260.			
	499808	Nozzle-Carburetor (Standard) (Used Before Code Date 04080400).		697674	Spring-Governor (Brown) Used on Type No(s). 0118, 0119, 0120, 0121, 0122, 0124, 0126, 0130, 0131, 0137, 0147, 0167, 0174, 0184, 0187, 0204, 0205, 0218, 0219, 0229, 0230, 0268.			
146	690979	Key-Timing		698071	Spring-Governor (White) Used on Type No(s). 0027, 0100, 0102, 0105, 0125, 0128, 0131, 0135, 0171.			
150	●690995	Gasket-Nozzle		691018	Spring-Governor Used on Type No(s). 0138, 0607.			
160	699727	Retainer-Solenoid (Used After Code Date 04080300). ----- Note -----		211	691019	Spring-Governed Idle		
	690996	Retainer-Solenoid (Used Before Code Date 04080400).		212	695238	Link-Throttle (Used With Plastic Intake Manifold)		
163	Δ691001	Gasket-Air Cleaner						
165	693148	Nut (Ring Gear)						
187	791766	Line-Fuel (Cut To Required Length)						
187A	699883	Line-Fuel (Molded) (Used Before Code Date 05070100).						
187B	791744	Line-Fuel (Molded) Used on Type No(s). 0117, 0122, 0218.						

★ Included in Engine Gasket Set-Ref. No.358.

● Included in Carburetor Overhaul Kit-Ref. No. 121.

◆ Included in Carburetor Gasket Set-Ref. No. 977.

Δ Included in Valve Gasket Set-Ref. No 1095.

Illustrations cover a range of engines. Parts shown without corresponding text may not be used on your specific engine.

407700

REF. NO.	PART NO.	DESCRIPTION	REF. NO.	PART NO.	DESCRIPTION	REF. NO.	PART NO.	DESCRIPTION
220	690412	Washer (Governor Gear)	287	691108	Screw (Dipstick Tube)	337	491055	Plug-Spark ----- Note -----
221	841026	Cup-Governor	300	696226	Muffler Used on Type No(s). 0130, 0171.		691043	Plug-Spark Used on Type No(s). 0105, 0117, 0118, 0119, 0120, 0121, 0122, 0124, 0125, 0128, 0130, 0135, 0137, 0147, 0156, 0167, 0171, 0174, 0176, 0184, 0205, 0218, 0219, 0255, 0260
222	698761	Bracket-Control	304	790688	Housing-Blower (Black) ----- Note -----	358	694012	Gasket Set-Engine
227	691048	Lever-Governor Control				363	19203	Puller-Flywheel
231	690718	Screw (Choke Valve)				383	19374	Wrench-Spark Plug
239	491657	Switch-Oil Pressure ----- Note ----- 697049 Switch-Oil Pressure Used on Type No(s). 0130, 0171. 792028 Switch-Oil Pressure Used on Type No(s). 0027, 0184, 0255.	305	691005	Screw (Blower Housing)	385	691108	Screw (Fuel Pump)
240	691035	Filter-Fuel ----- Note ----- 695666 Filter-Fuel Used on Type No(s). 0405.	305A	790690	Screw (Blower Housing to Intake Elbow) Used on Type No(s). 0607.	387	808656	Pump-Fuel
250	690957	Retainer-Breather	309	499521	Motor-Starter ----- Note ----- 497595 Motor-Starter Used on Type No(s). 0100, 0102, 0105, 0131, 0147, 0167, 0174, 0184, 0205, 0219, 0268, 0607.	404	690442	Washer (Governor Crank)
252	690956	Collector-Oil				405A	697820	Screw (Back Plate)(Mounting)
265	691024	Clamp-Casing	310	691263	Screw (Starter Motor) ----- Note ----- 690323 Screw (Starter Motor) Used on Type No(s). 0100, 0102, 0105, 0131, 0147, 0167, 0174, 0184, 0205, 0219, 0268, 0607.	415	690283	Plug (Sump)
267	691044	Screw (Casing Clamp)				418	690999	Plate-Carburetor
268	691025	Casing-Control Wire (Cut To Required Length)				431	790816	Elbow-Intake (Used After Code Date 04080300). Used on Type No(s). 0027, 0102, 0121, 0124, 0125, 0128, 0130, 0131, 0135, 0147, 0156, 0167, 0171, 0174, 0176, 0187, 0204, 0205, 0218.
269	691026	Wire-Control (Cut To Required Length)	311	497608	Brush Set	431A	790628	Elbow-Intake Used on Type No(s). 0607.
270	691027	Nut (Control Wire Casing)	332	691059	Nut (Flywheel)	445	499486	Filter-Air Cleaner Cartridge ----- Note ----- 698754 Filter-Air Cleaner Cartridge Used on Type No(s). 0405.
271	691028	Lever-Control	333	691060	Armature-Magneto			
276	★690997	Washer-Sealing	334	691061	Screw (Magneto Armature)			
276A	★695410	Washer-Sealing Used on Type No(s). 0607.						

★ Included in Engine Gasket Set-Ref. No.358.

● Included in Carburetor Overhaul Kit-Ref. No. 121.

◆ Included in Carburetor Gasket Set-Ref. No. 977.

△ Included in Valve Gasket Set-Ref. No 1095.

Illustrations cover a range of engines. Parts shown without corresponding text may not be used on your specific engine.

407700

REF. NO.	PART NO.	DESCRIPTION	REF. NO.	PART NO.	DESCRIPTION	REF. NO.	PART NO.	DESCRIPTION
447	691003	Screw (Air Guide Cover)	526	691108	Screw (Regulator)(10-16 Amp Regulated)	654	690958	Nut (Carburetor)
447A	691108	Screw (Air Guide Cover)	526A	691129	Screw (Regulator)(5 To 9 Amp Regulated)	668	691215	Spacer
462	691261	Washer (Starter Cable)	544	692034	Armature-Starter Used on Type No(s). 0100, 0102, 0105, 0131, 0147, 0167, 0174, 0184, 0205, 0219, 0268, 0607.	672	◆◆690234	Gasket-Carburetor Plate
467	691008	Knob-Air Cleaner				691	690657	Seal-Governor Shaft
467A	790697	Knob-Air Cleaner				695	698807	Screw (Ring Gear)
474B	696459	Alternator (Dual Circuit)				697	690372	Screw (Drive Cap)
474C	696457	Alternator (5 To 9 Amp Regulated) Used on Type No(s). 0118, 0130, 0138, 0405.				703	691010	Clip
						710	697474	Cover-Oil Filter (Used After Code Date 03090100). Used on Type No(s). 0102, 0167, 0184, 0205.
474D	696458	Alternator (10-16 Amp Regulated) Used on Type No(s). 0027, 0117, 0120, 0121, 0122, 0125, 0126, 0128, 0135, 0171, 0204, 0205, 0218, 0230, 0260.	552	690552	Bushing-Governor Crank	718	690959	Pin-Locating
			552A	690553	Bushing-Governor Crank	726	499612	Gear-Ring
			562	690311	Bolt (Governor Control Lever)	729	694123	Clip-Wire
			573	790444	Plate-Back	741	690980	Gear-Timing
			578	691208	Wire Assembly	742	690328	Retainer-E Ring
			579	691029	Nut (Starter Cable)	750	696999	Screw (Oil Pump Cover)
501	691185	Regulator (10-16 Amp Regulated)	601	691038	Clamp-Hose	783	695708	Gear-Pinion
501A	691188	Regulator (5 To 9 Amp Regulated)	613	690297	Screw (Muffler) Used on Type No(s). 0130.	788	691039	Bracket-Fuel Pump
503	691532	Strap-Starter	613A	690341	Screw (Muffler) Used on Type No(s). 0171.	789	691220	Harness-Wiring
505	691029	Nut (Governor Control Lever)	615	698290	Retainer-Governor Shaft	789A	698330	Harness-Wiring (6 Pin Customer Conversion) Used on Type No(s). 0117, 0126, 0130, 0171, 0176, 0229, 0230, 0255, 0260, 0405, 0607.
510	696541	Drive-Starter	616	691045	Crank-Governor			
513	692024	Clutch-Drive	617	697891	Seal-O Ring (Intake Manifold)	789B	790544	Harness-Wiring Used on Type No(s). 0260.
523	691036	Dipstick	628	691108	Screw (Fuel Pump Bracket)	797	693167	Nut (Brush Retainer)
524	★691032	Seal-Dipstick Tube	633	◆◆690998	Seal-Choke/Throttle Shaft	798	697890	Screw (Rocker Arm)
525	691037	Tube-Dipstick	633A	◆◆695414	Seal-Choke/Throttle Shaft Used on Type No(s). 0607.	801	691283	Cap-Drive
			635	66538	Boot-Spark Plug	802	691286	Cap-Drive
						842	★691031	Seal-O Ring (Dipstick Tube)

★ Included in Engine Gasket Set-Ref. No.358.

● Included in Carburetor Overhaul Kit-Ref. No. 121.

◆ Included in Carburetor Gasket Set-Ref. No. 977.

△ Included in Valve Gasket Set-Ref. No 1095.

Illustrations cover a range of engines. Parts shown without corresponding text may not be used on your specific engine.

407700

REF. NO.	PART NO.	DESCRIPTION	REF. NO.	PART NO.	DESCRIPTION	REF. NO.	PART NO.	DESCRIPTION
847	499602	Dipstick/Tube Assembly	943	690589	Seal-O Ring (Oil Pump Cover)	1027	492932	Filter-Oil
851	493880	Terminal-Spark Plug	947	699728	Solenoid-Fuel (Used After Code Date 04080300).	1029	690972	Arm-Rocker
855	691011	Adapter-Air Cleaner (Used Before Code Date 04080400).			----- Note -----	1035	691042	Shaft-Pump
		----- Note -----			499809 Solenoid-Fuel (Used Before Code Date 04080400).	1036	790626	Label-Emissions (Used After Code Date 04120700).
		698072 Adapter-Air Cleaner Used on Type No(s). 0405.	965	499613	Cover-Oil Pump			----- Note -----
865	691012	Cover-Air Guide (Cylinder 1)	967	273638	Filter-Pre Cleaner			790625 Label-Emissions (Used After Code Date 04063000 and Before Code Date 04120800).
865A	691014	Cover-Air Guide (Cylinder 2)	968	790689	Cover-Air Cleaner			----- Note -----
865B	691015	Cover-Air Guide (Valley)			----- Note -----			695704 Label-Emissions (Used After Code Date 00070200 and Before Code Date 04070100).
868	Δ690968	Seal-Valve	975	499810	Bowl-Float			695432 Label-Emissions (Used After Code Date 00010900 and Before Code Date 00070300).
877	393456	Wire/Connector-Alternator (Dual Circuit)	975A	699502	Bowl-Float Used on Type No(s). 0607.			695104 Label-Emissions (Used After Code Date 99093000 and Before Code Date 00011000).
877B	393537	Wire/Connector-Alternator (5 To 9 Amp Regulated)	977	699735	Gasket Set-Carburetor			694390 Label-Emissions (Used After Code Date 99010300 and Before Code Date 99100100).
877C	399916	Wire/Connector-Alternator (10-16 Amp Regulated)	977A	699815	Gasket Set-Carburetor Used on Type No(s). 0607.			499783 Label-Emissions (Used Before Code Date 99010400).
878	691237	Harness-Alternator (Dual Circuit)	987	◆691000	Seal-Throttle Shaft	1051	691265	Ring-Retaining
879	690757	Cover-Carburetor	987A	◆699813	Seal-Throttle Shaft Used on Type No(s). 0607.	1054	280275	Tie-Cable
883	★Δ690970	Gasket-Exhaust	1005	790698	Fan-Flywheel	1058	276245	Operator's Manual (Emission)
914	691127	Screw (Rocker Cover)			----- Note -----	1059	698516	Kit-Screw/Washer
918	694000	Hose-Vacuum			499603 Fan-Flywheel (Used on Type No(s). 0268.	1070	690372	Screw (Flywheel Fan)
929	695239	Screw (Choke Control Bracket) (Used With Plastic Intake Manifold)	1005A	698760	Fan-Flywheel Used on Type No(s). 0405.	1090	691293	Retainer-Brush
929A	691003	Screw (Choke Control Bracket)(Used With Aluminum Intake Manifold)	1013	690954	Nipple-Oil Filter	1095	694013	Gasket Set-Valve
			1017	690770	Screen-Oil Pump	1100	791959	Pivot-Rocker Arm
			1019	790094	Kit-Label	1119	691183	Screw (Alternator)
			1022	★Δ690971	Gasket-Rocker Cover	1123	◆699725	Seal-O Ring (Solenoid Retainer) (Used After Code Date 04080300).
			1023	499599	Cover-Rocker (Cylinder 1)			----- Note -----
			1023A	499600	Cover-Rocker (Cylinder 2)			690987 Seal-O Ring (Solenoid Retainer) (Used Before Code Date 04080400).
			1024	499054	Pump-Oil			
			1026	690981	Rod-Push (Steel)			
			1026A	690982	Rod-Push (Aluminum)			

★ Included in Engine Gasket Set-Ref. No.358.

● Included in Carburetor Overhaul Kit-Ref. No. 121.

◆ Included in Carburetor Gasket Set-Ref. No. 977.

Δ Included in Valve Gasket Set-Ref. No 1095.

Illustrations cover a range of engines. Parts shown without corresponding text may not be used on your specific engine.

407700

REF. NO.	PART NO.	DESCRIPTION	REF. NO.	PART NO.	DESCRIPTION	REF. NO.	PART NO.	DESCRIPTION
1124	690988	Seal-O Ring (Fuel Transfer Tube) (Used After Code Date 04080300).	1146	690718	Screw (Choke Shaft)	1330	273521	Repair Manual
1126	690991	Screw (Fuel Transfer Tube)	1169	690990	Screw (Carburetor Cover Plate) (Used Before Code Date 03081100).	1342	699731	Extension-Fuel Transfer Tube (Used After Code Date 04080300).
1127	690992	Screw (Float Bowl)	1280	697475	Seal-O Ring (Oil Filter Cover) (Used After Code Date 03090100). Used on Type No(s). 0102, 0147, 0167, 0184, 0205.	1353	699725	Seal-O Ring (Fuel Transfer Tube Extension) (Used After Code Date 04080300).
1127A	695407	Screw (Float Bowl) Used on Type No(s). 0607.						
1128	690990	Screw (Carburetor Nozzle)						

★ Included in Engine Gasket Set-Ref. No.358.

● Included in Carburetor Overhaul Kit-Ref. No. 121.

◆ Included in Carburetor Gasket Set-Ref. No. 977.

△ Included in Valve Gasket Set-Ref. No 1095.

Illustrations cover a range of engines. Parts shown without corresponding text may not be used on your specific engine.