



406500

Illustrated Parts List

Model Series

406500

TYPE NUMBERS
0105 through 0442.

TABLE OF CONTENTS

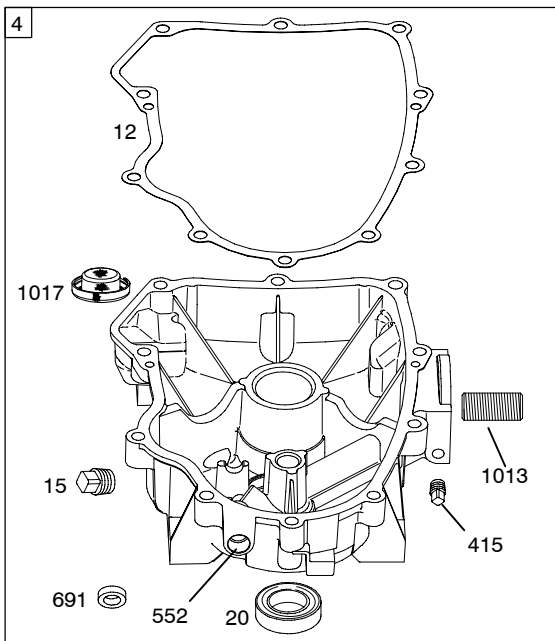
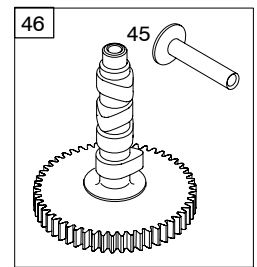
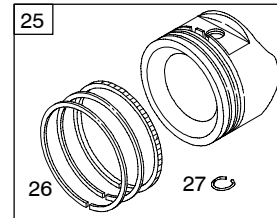
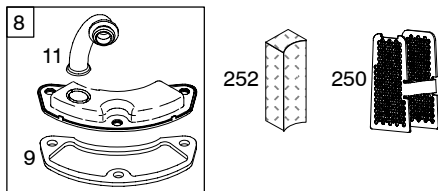
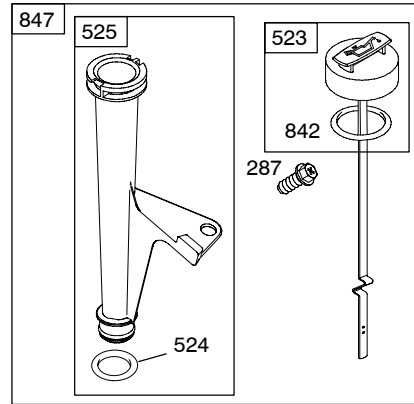
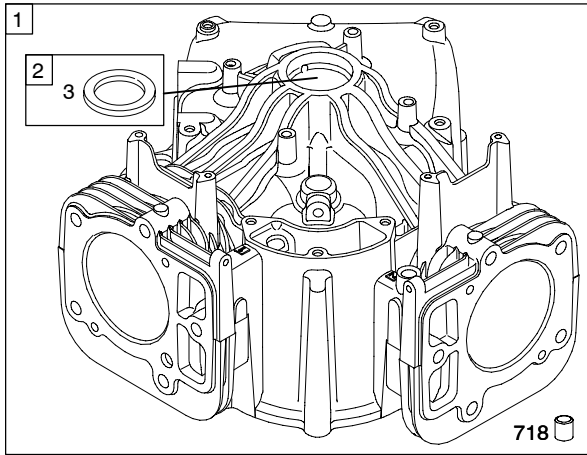
Air Cleaner	5
Alternator	7
Blower Housing	5
Camshaft	2
Carburetor	4
Controls	6
Engine Sump	2
Crankshaft	2
Cylinder	2
Cylinder Head	3
Electric Starter	6
Flywheel	6
Gasket Set - Engine	4
Gasket Set - Valve	4
Governor Spring	6
Kit - Carburetor Overhaul	4
Piston	2
Valves	3



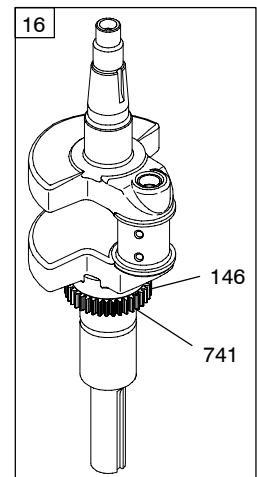
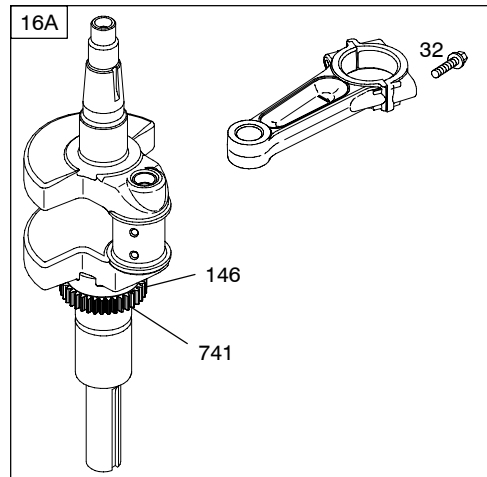
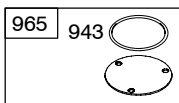
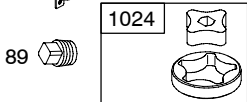
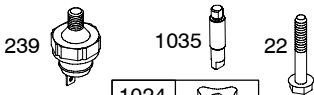
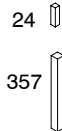
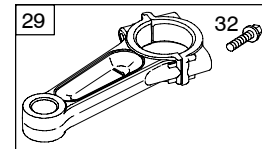
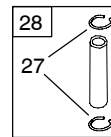
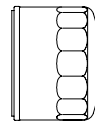
PRINTED IN U.S.A.

COPYRIGHT by BRIGGS & STRATTON CORPORATION
All rights reserved. No part of this material may be reproduced or transmitted, in any form or by any means, electronic or mechanical, including photocopying, recording or by any information storage and retrieval system, without permission in writing from Briggs & Stratton Corporation.

406500



1027

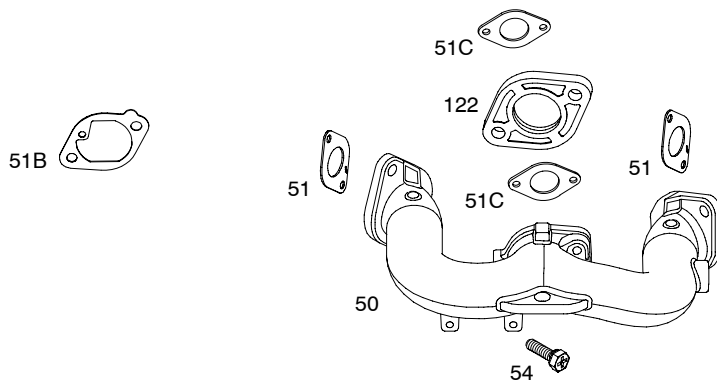
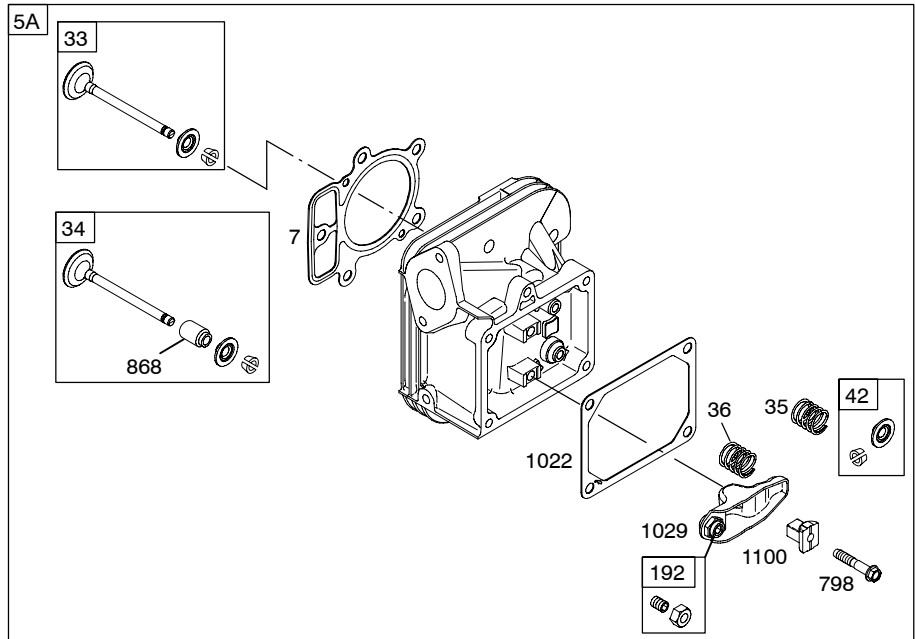
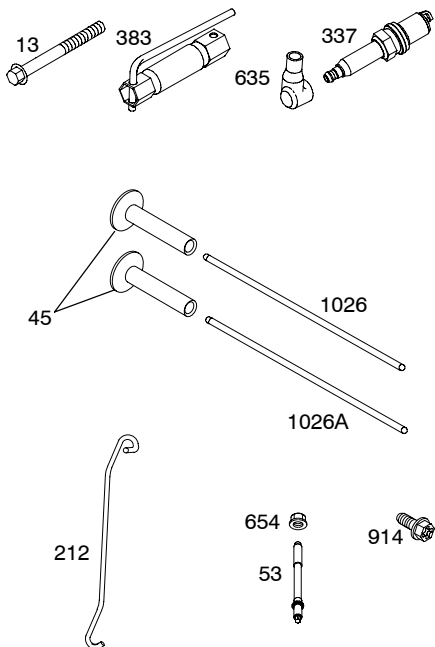
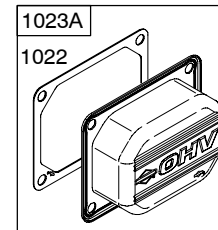
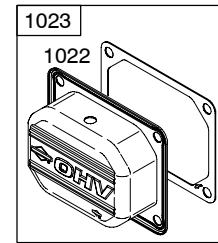
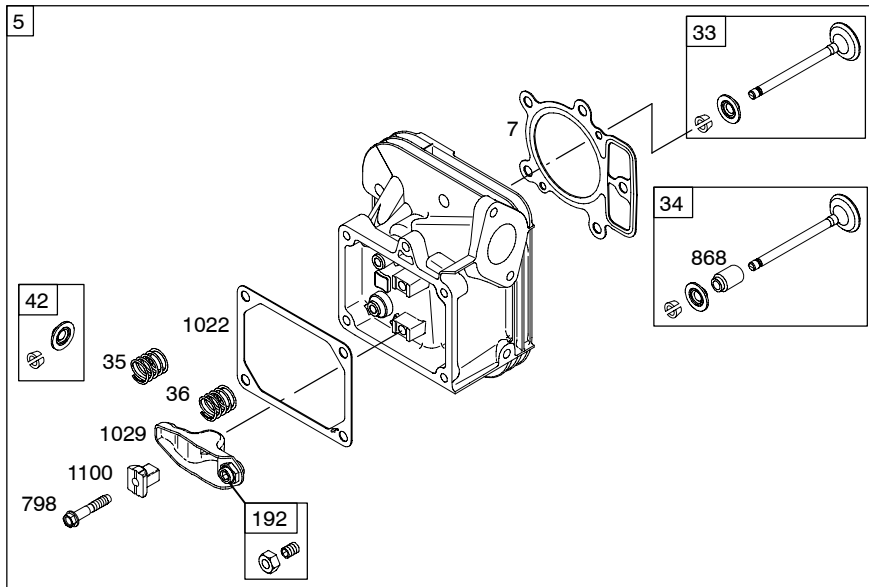


1019 LABEL KIT

1058 OPERATOR'S MANUAL

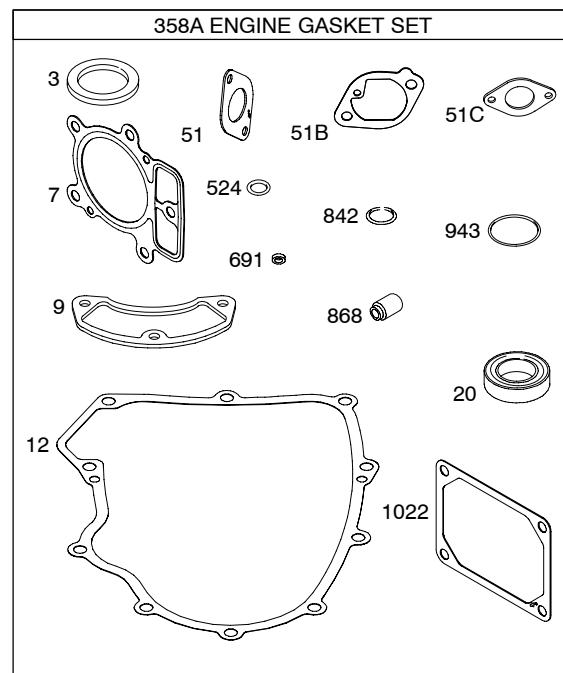
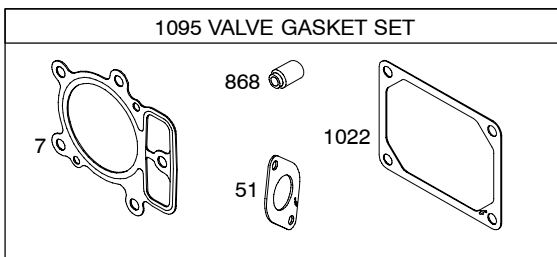
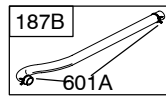
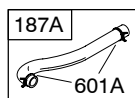
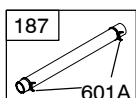
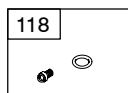
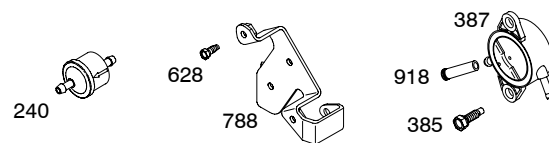
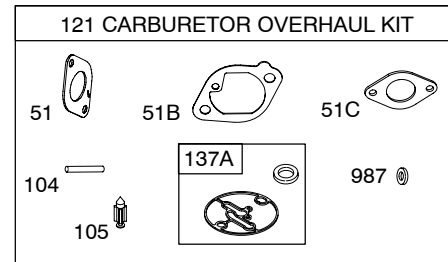
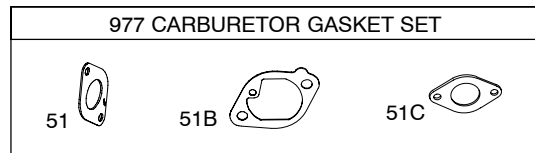
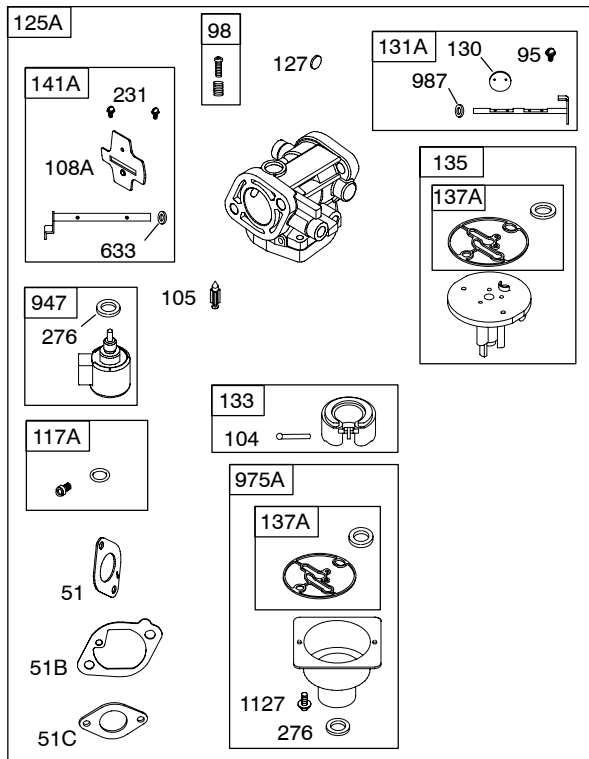
1330 REPAIR MANUAL

Illustrations cover a range of engines. Parts shown without corresponding text may not be used on your specific engine.
 5770-2 Assemblies include all parts shown in frames. 10/13/2004

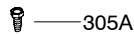
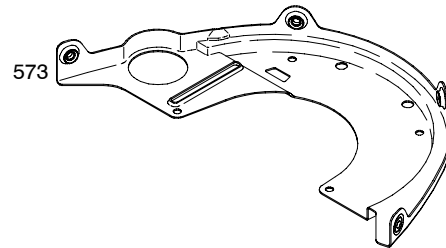
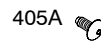
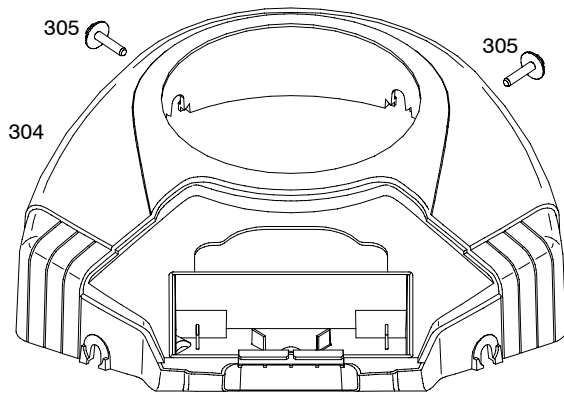
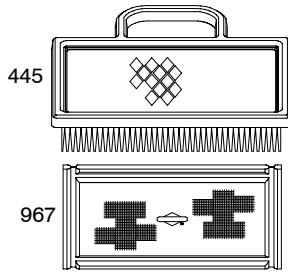
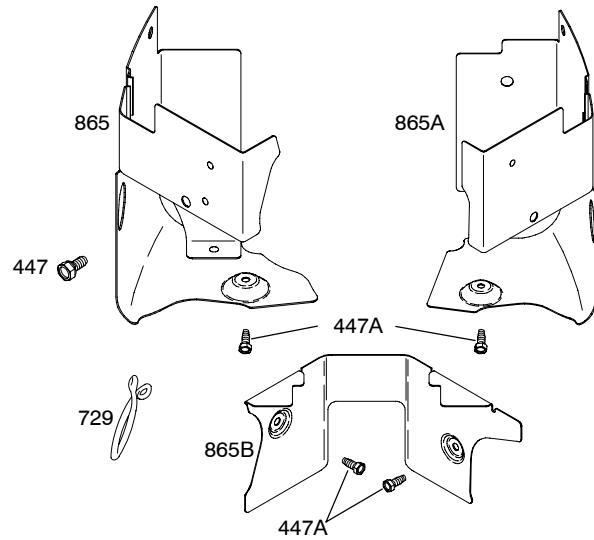
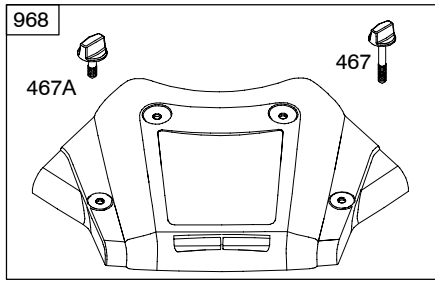


Illustrations cover a range of engines. Parts shown without corresponding text may not be used on your specific engine.
 5770-3 Assemblies include all parts shown in frames. 10/13/2004

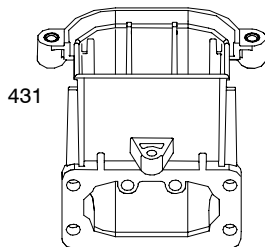
406500



Illustrations cover a range of engines. Parts shown without corresponding text may not be used on your specific engine.
 5770-4 Assemblies include all parts shown in frames. 10/13/2004

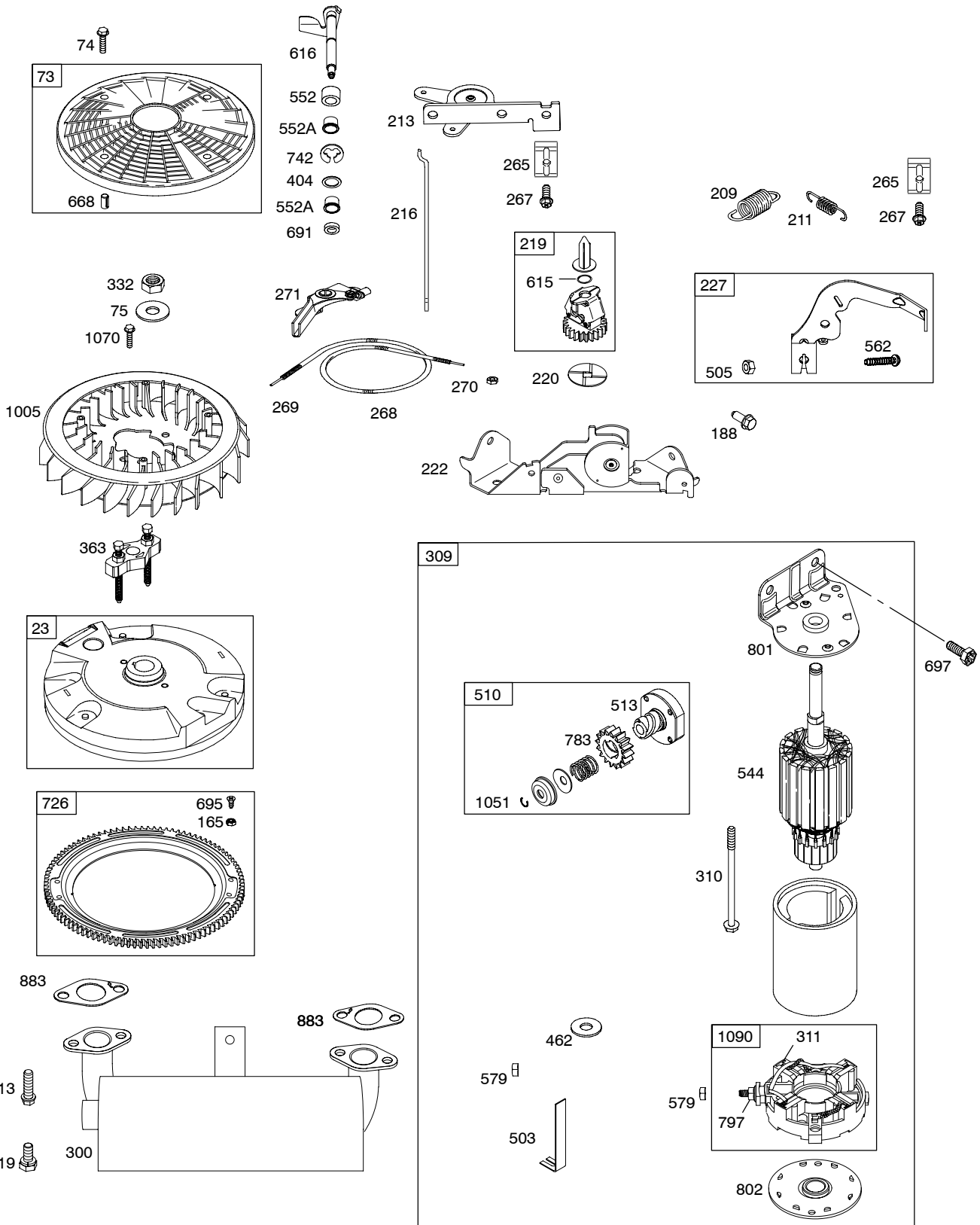


1036 EMISSIONS LABEL

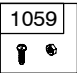
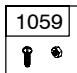
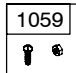




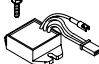


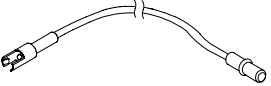
Illustrations cover a range of engines. Parts shown without corresponding text may not be used on your specific engine.
5770-5 Assemblies include all parts shown in frames. 10/13/2004

406500

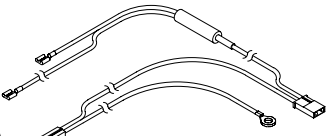


Illustrations cover a range of engines. Parts shown without corresponding text may not be used on your specific engine.
 5770-6 Assemblies include all parts shown in frames. 10/13/2004

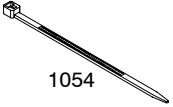
			10 - 16 AMP		
474F	1059 	474E	1059 	474D	1059 
				877C 	
<p>NOTE: All stators use a No. 1119 mounting screw. </p> <p>NOTE: The proper flywheel part number and/or the alternator magnet size will determine the alternator type or output. See repair instruction manual for additional information.</p>				501	526 



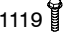
578




789



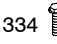
1054



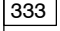
1119




635



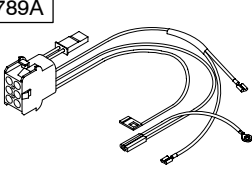
334




333



851



789A



789B

Illustrations cover a range of engines. Parts shown without corresponding text may not be used on your specific engine.

406500

REF. NO.	PART NO.	DESCRIPTION	REF. NO.	PART NO.	DESCRIPTION	REF. NO.	PART NO.	DESCRIPTION
1	699751	Cylinder Assembly	25	499588	Piston Assembly (Standard)	54	699816	Screw (Intake Manifold) (Used After Code Date 04110400).
2	499585	Kit-Bushing/Seal (Magneto Side)			----- Note -----			----- Note -----
3	★391086	Seal-Oil (Magneto Side)		499590	Piston Assembly (.020" Oversize)		695240	Screw (Intake Manifold) (Used Before Code Date 04110500).
4	699747	Sump-Engine	26	499604	Ring Set (Standard)	54	699816	Screw Used on Type No(s). 0124.
5	693998	Head-Cylinder (Cylinder 1)			----- Note -----			
5A	693999	Head-Cylinder (Cylinder 2)		499606	Ring Set (.020" Oversize)			
7	★△690962	Gasket-Cylinder Head	27	690975	Lock-Piston Pin	73	494439	Screen-Rotating
8	499601	Breather Assembly	28	690229	Pin-Piston (Standard)	74	698425	Screw (Rotating Screen)
9	★690937	Gasket-Breather	29	699699	Rod-Connecting (Standard) (Used After Code Date 03122700).	75	691056	Washer (Flywheel)
10	691108	Screw (Breather Assembly)			----- Note -----	89	690283.	Plug, Oil (Used on Type No(s). 0124.
11	690942	Tube-Breather			(For Replacement Connecting Rod, See Reference 16A) (Used Before Code Date 03122800).	95	690718	Screw (Throttle Valve)
12	★697227	Gasket-Crankcase	32	690976	Screw (Connecting Rod)	98	699721	Kit-Idle Speed
13	791130	Screw (Cylinder Head)	33	499596	Valve-Exhaust	104	●694918	Pin-Float Hinge
15	691680	Plug-Oil Drain	34	697464	Valve-Intake	105	●698537	Valve-Float Needle
16	699700	Crankshaft (Used After Code Date 03122700).	35	690963	Spring-Valve (Intake)	108A	699808	Valve-Choke
16	790132	Crankshaft (Used on Type No(s). 0418.	36	690963	Spring-Valve (Exhaust)	117A	791406	Jet-Main (Standard)
16A	699701	Crankshaft (Used Before Code Date 03122800).	42	499586	Keeper-Valve	118	699820	Jet-Main (High Altitude)
20	★690947	Seal-Oil (PTO Side)	45	690977	Tappet-Valve	121	699814	Kit-Carburetor Overhaul
22	694966	Screw (Crankcase Cover/Sump)	46	790562	Camshaft	122	699802	Spacer-Carburetor
23	691053	Flywheel	50	699801	Manifold-Intake	125A	699807	Carburetor
24	222698	Key-Flywheel	51★●◆△690949	Gasket-Intake		127	699810	Plug-Welch
			51B★●◆△699800	Gasket-Intake		130	699809	Valve-Throttle
			51C★●◆△699803	Gasket-Intake		131A	699812	Kit-Throttle Shaft
			53	690951	Stud (Carburetor)	133	694914	Float-Carburetor
						135	792022	Tube-Fuel Transfer
						137A	●698781	Gasket-Float Bowl
						141A	699811	Kit-Choke Shaft
						146	690979	Key-Timing
						165	693148	Nut (Ring Gear)
						187	691049	Line-Fuel
						187A	791872	Line-Fuel

★ Included in Engine Gasket Set-Ref. No.358.

● Included in Carburetor Overhaul Kit-Ref. No. 121.

◆ Included in Carburetor Gasket Set-Ref. No. 977.

△ Included in Valve Gasket Set-Ref. No 1095.

Illustrations cover a range of engines. Parts shown without corresponding text may not be used on your specific engine.

406500

REF. NO.	PART NO.	DESCRIPTION	REF. NO.	PART NO.	DESCRIPTION	REF. NO.	PART NO.	DESCRIPTION
187B	791801	Line-Fuel Used on Type No(s). 0119, 0143, 0418.	250	690957	Retainer-Breather	337	491055	Plug-Spark
188	691003	Screw (Control Bracket)	252	690956	Collector-Oil			----- Note -----
192	690083	Adjuster-Rocker Arm	265	691024	Clamp-Casing			691043 Plug-Spark
209	697674	Spring-Governor (Brown)	267	695134	Screw (Casing Clamp)			Used on Type No(s). 0119, 0122, 0124, 0301, 0395, 0410, 0411, 0418..
		----- Note -----			691044 Screw (Casing Clamp) Used on Type No(s). 0125.	357	691483	Key-Drive Pulley
		790034 Spring-Governor (Black) Used on Type No(s). 0105, 0122, 0125, 0143.	268	691025	Casing-Control Wire (Cut To Required Length)	358A	699823	Gasket Set-Engine
		698071 Spring-Governor Used on Type No(s). 0106.	269	691026	Wire-Control (Cut To Required Length)	363	19203	Puller-Flywheel
		691018 Spring-Governor Used on Type No(s). 0119.	270	691027	Nut (Control Wire Casing)(Control Wire Casing)	383	19374	Wrench-Spark Plug
		693102 Spring-Governor Used on Type No(s). 0124.	271	691028	Lever-Control	385	691108	Screw (Fuel Pump)
		791606 Spring-Governor Used on Type No(s). 0191.	276	695410	Washer-Sealing	387	808656	Pump-Fuel
		692909 Spring-Governor Used on Type No(s). 0312, 0442.	287	691108	Screw (Dipstick Tube)	404	690442	Washer (Governor Crank)
211	691019	Spring-Governed Idle	300	696226	Muffler Used on Type No(s). 0125.	405A	697820	Screw (Back Plate)
212	699805	Link-Throttle	304	790688	Housing-Blower (Black)	415	690283	Plug
213	691021	Bracket-Choke Control	305	691005	Screw	431	790628	Elbow-Intake
216	691022	Link-Choke	305	698336	Screw Used on Type No(s). 0301, 0312..	445	499486	Filter-Air Cleaner Cartridge
219	698231	Gear-Governor	305A	790690	Screw (Blower Housing)	447	691003	Screw (Air Guide Cover)
220	690412	Washer (Governor Gear)	309	497595	Motor-Starter	447A	691108	Screw (Air Guide Cover)
222	698761	Bracket-Control			----- Note -----	462	691261	Washer (Starter Cable)
		----- Note -----			497401 Motor-Starter Used on Type No(s). 0119, 0122, 0124, 0142, 0191, 0301, 0312, 0395..	467	691008	Knob-Air Cleaner
		698757 Bracket-Control Used on Type No(s). 0410.	310	690323	Screw (Starter Motor)	467A	790697	Knob-Air Cleaner
227	691048	Lever-Governor Control			----- Note -----	474D	696458	Alternator (10-16 Amp Regulated)
231	690718	Screw (Choke Valve)	311	497608	Brush Set	474E	696457	Alternator Used on Type No(s). 0124.
239	792028	Switch-Oil Pressure	332	691059	Nut (Flywheel)	474F	696459	Alternator Used on Type No(s). 0301, 0312, 0395..
240	691035	Filter-Fuel	333	691060	Armature-Magneto	501	691185	Regulator (10-16 Amp Regulated)
			334	691061	Screw (Magneto Armature)			----- Note -----
					691263 Screw (Starter Motor) Used on Type No(s). 0119, 0122.			691188 Regulator (5 To 9 Amp Regulated) Used on Type No(s). 0124, 0141, 0142.
						503	691532	Strap-Starter
						505	691029	Nut (Governor Control Lever)

★ Included in Engine Gasket Set-Ref. No.358.

● Included in Carburetor Overhaul Kit-Ref. No. 121.

◆ Included in Carburetor Gasket Set-Ref. No. 977.

△ Included in Valve Gasket Set-Ref. No 1095.

Illustrations cover a range of engines. Parts shown without corresponding text may not be used on your specific engine.

5770-9

Assemblies include all parts shown in frames.

10/13/2004

406500

REF. NO.	PART NO.	DESCRIPTION	REF. NO.	PART NO.	DESCRIPTION	REF. NO.	PART NO.	DESCRIPTION
510	696541	Drive-Starter	718	690959	Pin-Locating	965	499613	Cover-Oil Pump
513	692024	Clutch-Drive	726	499612	Gear-Ring	967	273638	Filter-Pre Cleaner
523	691036	Dipstick	729	694123	Clip-Wire	968	790689	Cover-Air Cleaner
524	691032	Seal-Dipstick Tube			Used on Type No(s). 0125, 0380, 0395.	975A	699502	Bowl-Float
525	691037	Tube-Dipstick				977	699815	Gasket Set-Carburetor
526	691108	Screw (Regulator) (10-16 Amp Regulated)	741	690980	Gear-Timing	987	699813	Seal-Throttle Shaft
		----- Note -----	742	690328	Retainer-E Ring	1005	790698	Fan-Flywheel
		691129 Screw (Regulator) (5 To 9 Amp Regulated)	750	696999	Screw (Oil Pump Cover)	1013	690954	Nipple-Oil Filter
		Used on Type No(s). 0124, 0141, 0142..	783	695708	Gear-Pinion	1017	690770	Screen-Oil Pump
544	692034	Armature-Starter ----- Note ----- (Service With 497401 Starter Motor) Used on Type No(s). 0119, 0122.	788	691039	Bracket-Fuel Pump	1019	790094	Kit-Label
			789	691220	Harness-Wiring	1022	690971	Gasket-Rocker Cover
			789A	698330	Harness-Wiring (6 Pin Customer Conversion)	1023	499599	Cover-Rocker (Cylinder 1)
			789B	790544	Harness-Wiring	1023A	499600	Cover-Rocker (Cylinder 2)
			797	693167	Nut (Brush Retainer)	1024	499054	Pump-Oil
			798	697890	Screw (Rocker Arm)	1026	690981	Rod-Push (Steel)
			801	691283	Cap-Drive	1026A	690982	Rod-Push (Aluminum)
			802	691286	Cap-End	1027	492932	Filter-Oil
552	690552	Bushing-Governor Crank	819	690297	Screw (Muffler Bracket) Used on Type No(s). 0125	1029	690972	Arm-Rocker
552A	690553	Bushing-Governor Crank				1035	691042	Shaft-Pump
562	690311	Bolt (Governor Control Lever)	842	691031	Seal-O Ring (Dipstick Tube)	1036	790626	Label-Emissions (Used After Code Date 04120700). ----- Note -----
573	790444	Plate-Back	847	499602	Dipstick/Tube Assembly		790625	Label-Emissions (Used After Code Date 04063000 and Before Code Date 04120800).
578	691208	Wire Assembly	851	493880	Terminal-Spark Plug		695704	Label-Emissions (Used Before Code Date 04070200).
579	691029	Nut (Starter Cable)	865	691012	Cover-Air Guide (Cylinder 1)	1051	691265	Ring-Retaining
601A	691038	Clamp-Hose	865A	691014	Cover-Air Guide (Cylinder 2)	1054	280275	Tie-Cable
613	690341	Screw (Muffler) Used on Type No(s). 0125	865B	691015	Cover-Air Guide (Valley)	1058	276245	Operator's Manual (Emission)
615	698290	Retainer-Governor Shaft	868	690968	Seal-Valve	1059	698516	Kit-Screw/Washer
616	691045	Crank-Governor	877C	399916	Wire/Connector- Alternator	1070	691058	Screw (Flywheel Fan)
628	691108	Screw (Fuel Pump Bracket)	883	690970	Gasket-Exhaust	1090	691293	Retainer-Brush
633	695414	Seal-Choke/Throttle Shaft	914	691127	Screw (Rocker Cover)	1095	699822	Gasket Set-Valve
635	66538	Boot-Spark Plug	918	694000	Hose-Vacuum	1100	791959	Pivot-Rocker Arm
654	690958	Nut (Carburetor)	943	690589	Seal-O Ring (Oil Pump Cover)	1119	691183	Screw (Alternator)
668	691215	Spacer	947	699728	Solenoid-Fuel	1127	695407	Screw (Float Bowl)
691	690657	Seal-Governor Shaft				1330	273521	Repair Manual
695	693149	Screw (Ring Gear)						
697	690372	Screw (Drive Cap)						
703	691010	Clip						

★ Included in Engine Gasket Set-Ref. No.358.

● Included in Carburetor Overhaul Kit-Ref. No. 121.

◆ Included in Carburetor Gasket Set-Ref. No. 977.

△ Included in Valve Gasket Set-Ref. No 1095.

Illustrations cover a range of engines. Parts shown without corresponding text may not be used on your specific engine.