



**403500**

# Illustrated Parts List

## Model Series

# 403500

TYPE NUMBERS  
0409.

### TABLE OF CONTENTS

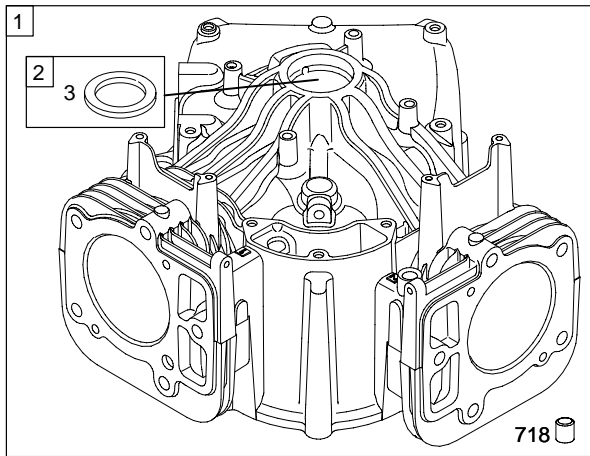
Air Cleaner .....	5
Alternator .....	7
Blower Housing .....	5
Camshaft .....	2
Carburetor .....	4
Controls .....	6
Engine Sump .....	2
Crankshaft .....	2
Cylinder .....	2
Cylinder Head .....	3
Electric Starter .....	6
Flywheel .....	6
Gasket Set - Engine .....	4
Gasket Set - Valve .....	4
Governor Spring .....	6
Kit - Carburetor Overhaul .....	4
Piston .....	2
Valves .....	3



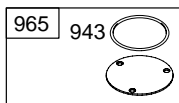
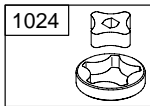
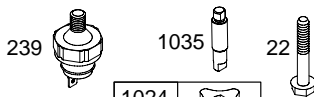
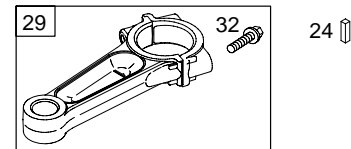
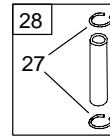
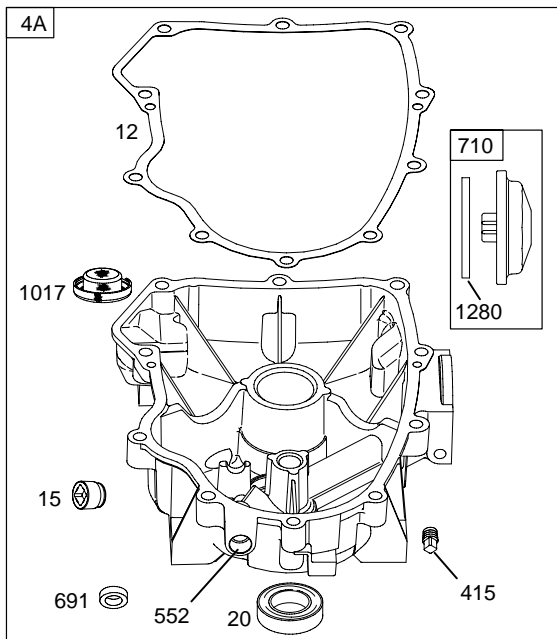
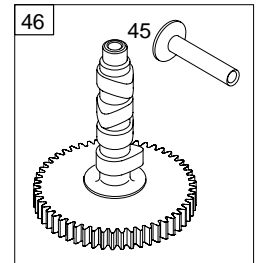
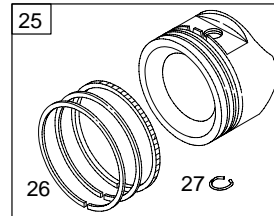
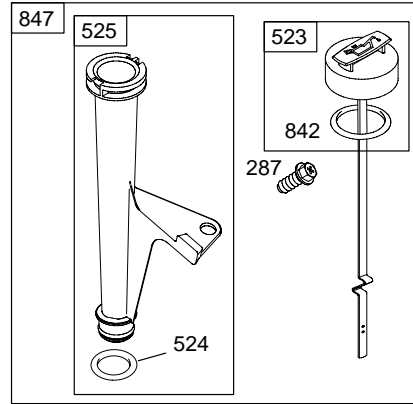
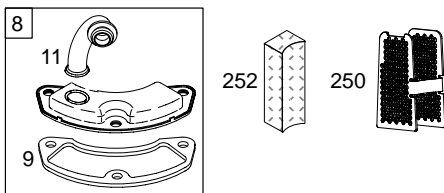
PRINTED IN U.S.A.

COPYRIGHT by BRIGGS & STRATTON CORPORATION  
All rights reserved. No part of this material may be reproduced or transmitted, in any form or by any means, electronic or mechanical, including photocopying, recording or by any information storage and retrieval system, without permission in writing from Briggs & Stratton Corporation.

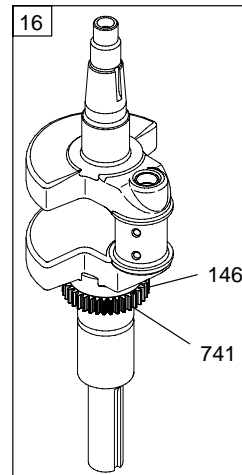
# 403500



10



750

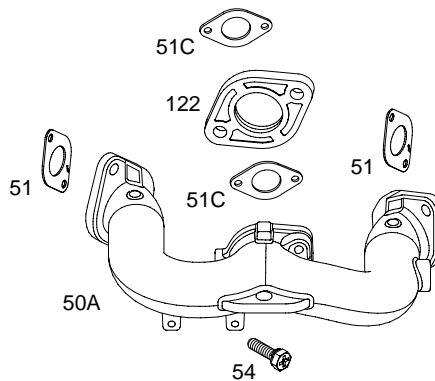
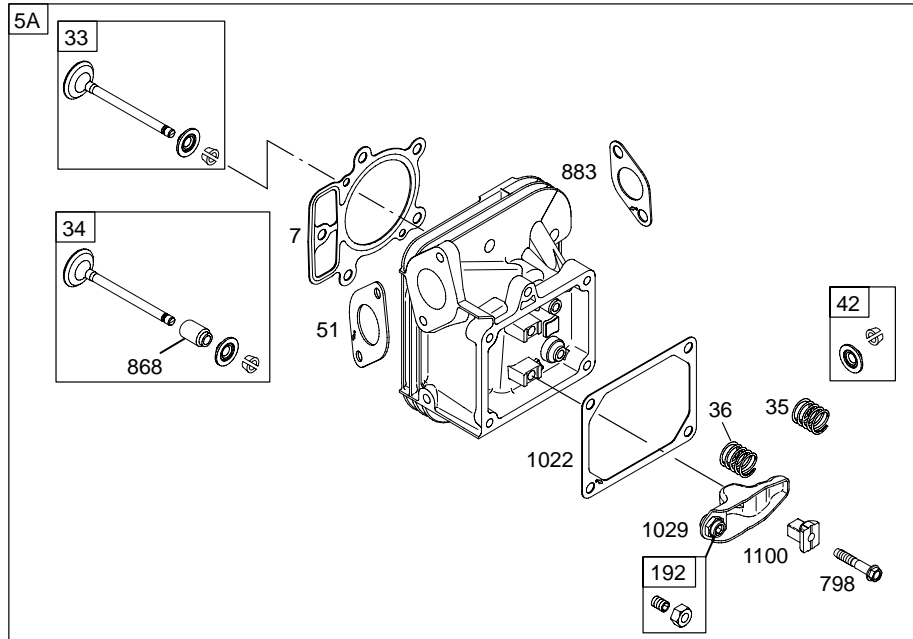
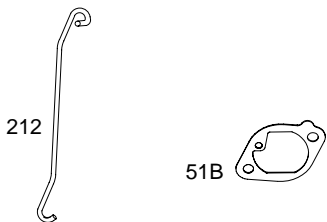
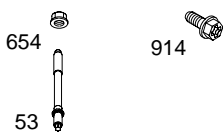
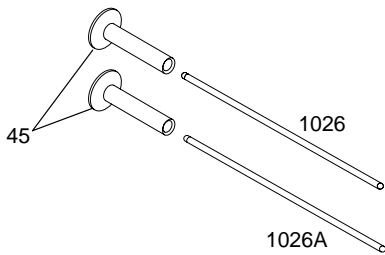
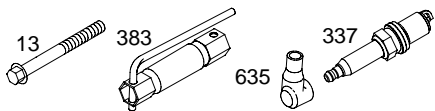
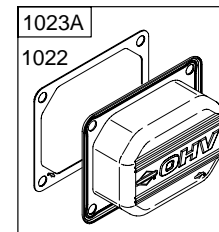
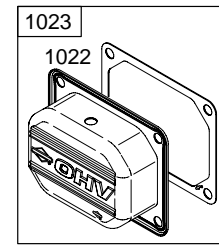
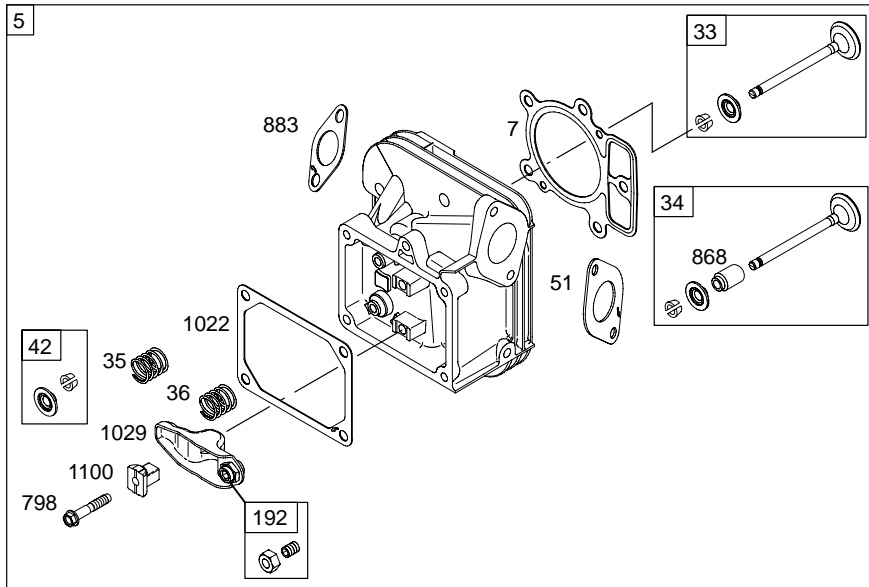


1019 LABEL KIT

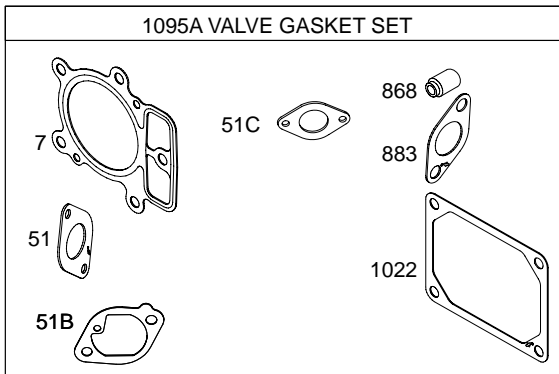
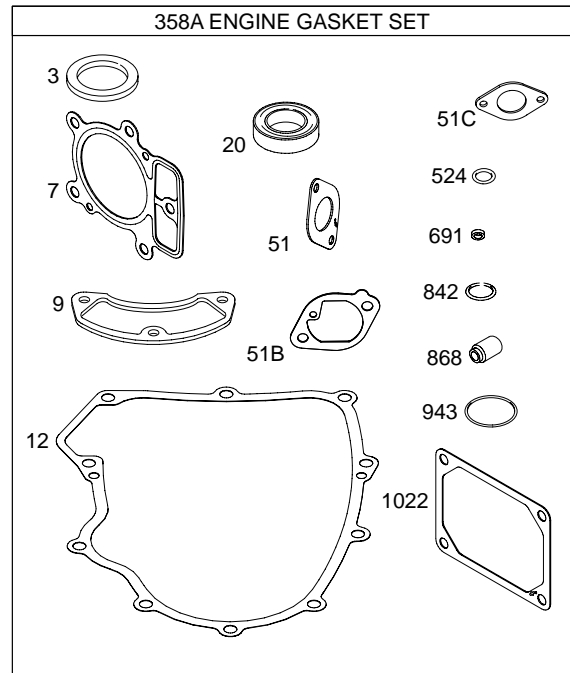
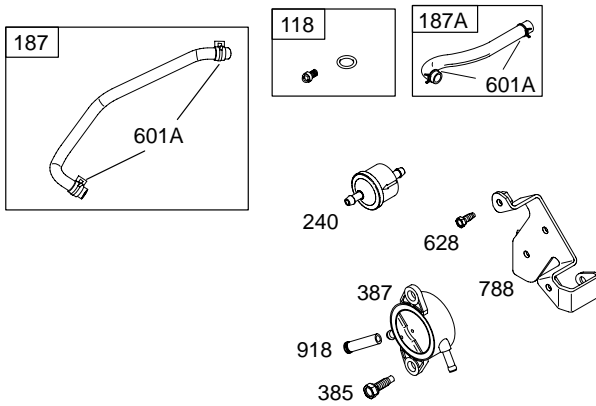
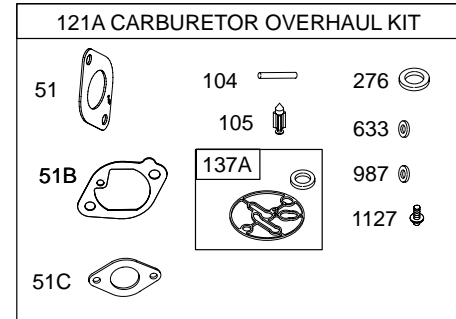
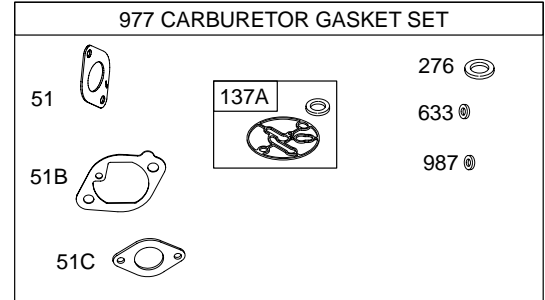
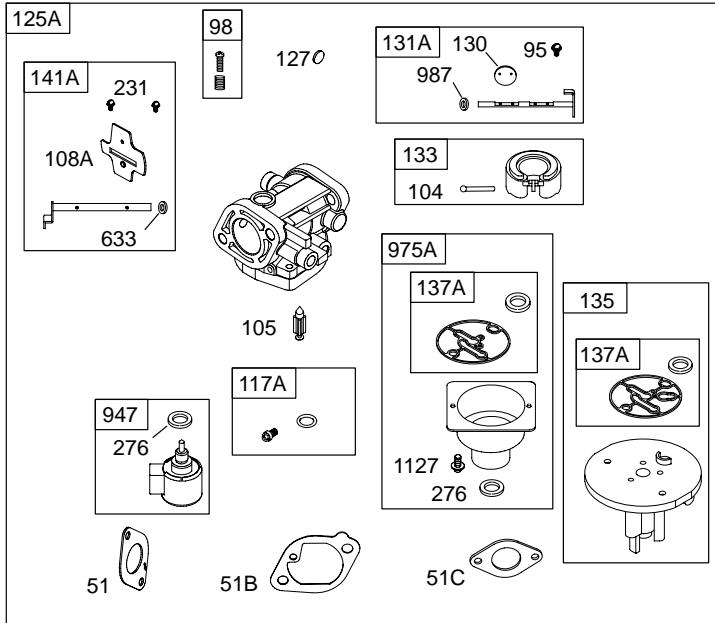
1058 OPERATOR'S MANUAL

1330 REPAIR MANUAL

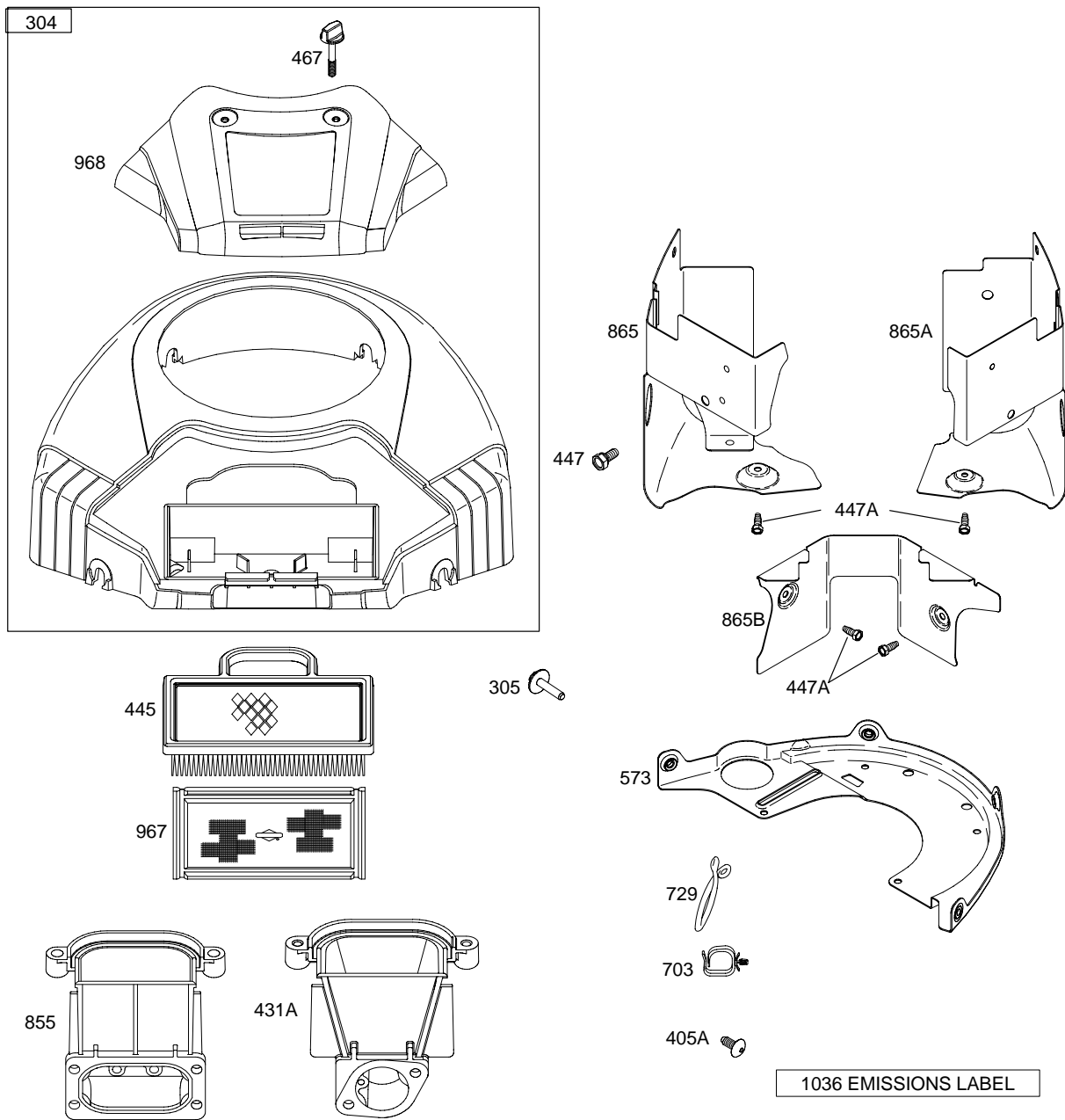
Illustrations cover a range of engines. Parts shown without corresponding text may not be used on your specific engine. 3343-2 Assemblies include all parts shown in frames. 07/07/2005



# 403500

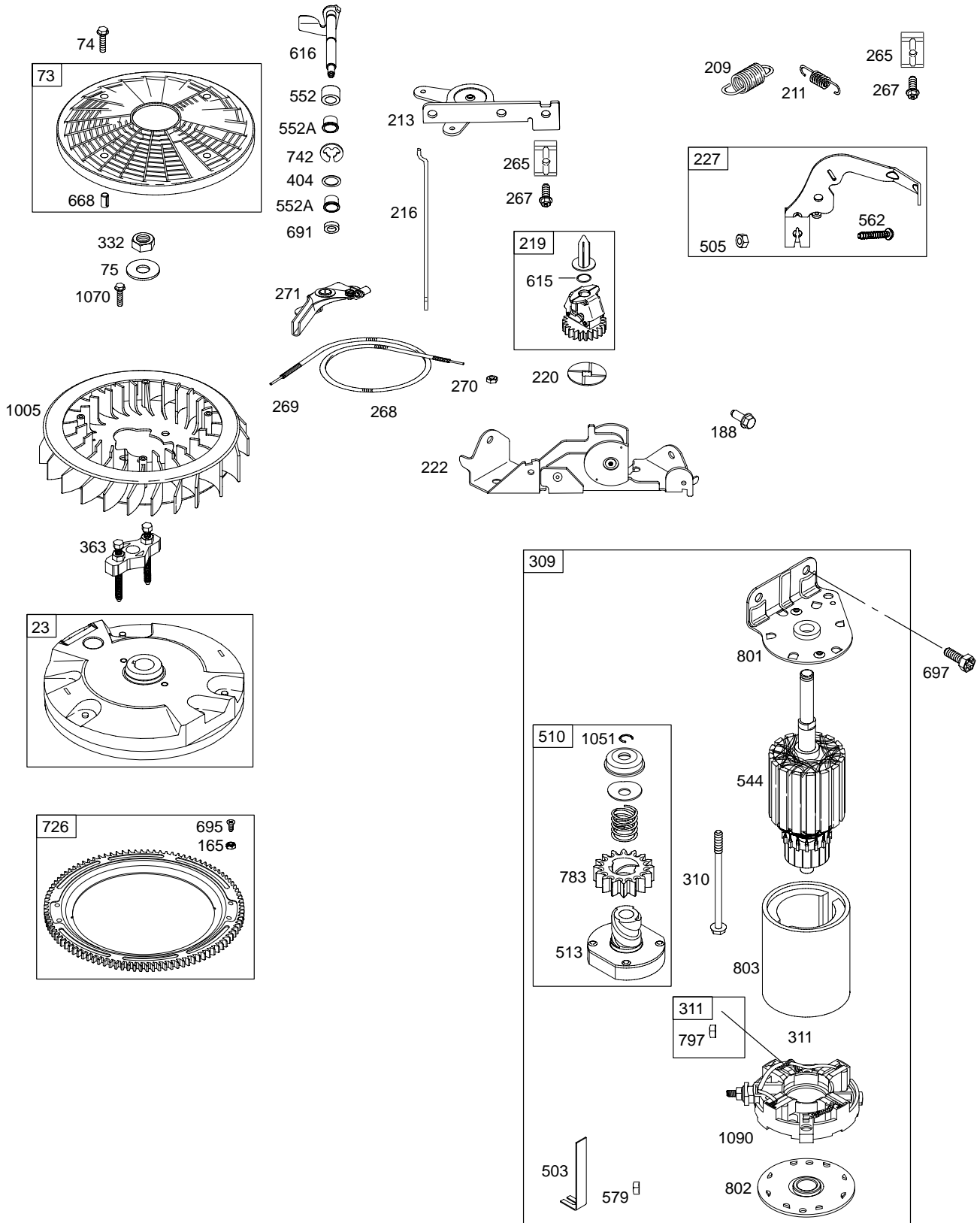


Illustrations cover a range of engines. Parts shown without corresponding text may not be used on your specific engine.  
 3343-4 Assemblies include all parts shown in frames. 07/07/2005

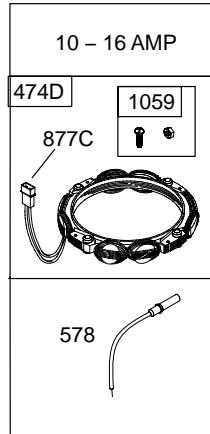



Illustrations cover a range of engines. Parts shown without corresponding text may not be used on your specific engine.  
3343-5 Assemblies include all parts shown in frames. 07/07/2005

# 403500

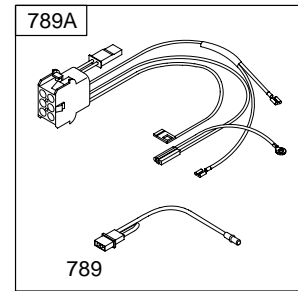
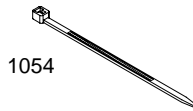
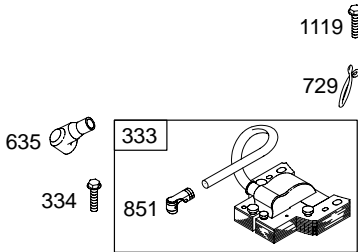
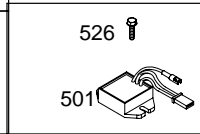


Illustrations cover a range of engines. Parts shown without corresponding text may not be used on your specific engine.  
3343-6 Assemblies include all parts shown in frames. 07/07/2005



**NOTE:** All stators use a No. 1119 mounting screw. 

**NOTE:** The proper flywheel part number and/or the alternator magnet size will determine the alternator type or output. See repair instruction manual for additional information.



# 403500

REF. NO.	PART NO.	DESCRIPTION	REF. NO.	PART NO.	DESCRIPTION	REF. NO.	PART NO.	DESCRIPTION
1	699751	Cylinder Assembly	35	690963	Spring-Valve (Intake)	188	691108	Screw (Control Bracket)
2	499585	Kit-Bushing/Seal (Magneto Side)	36	690963	Spring-Valve (Exhaust)	192	690083	Adjuster-Rocker Arm
3	★391086	Seal-Oil (Magneto Side)	42	499586	Keeper-Valve	209	697674	Spring-Governor (Brown)
4A	699747	Sump-Engine	45	690977	Tappet-Valve	211	691019	Spring-Governed Idle
5	693998	Head-Cylinder (Cylinder 1)	46	790562	Camshaft	212	699805	Link-Throttle
5A	693999	Head-Cylinder (Cylinder 2)	50A	699801	Manifold-Intake	213	691021	Bracket-Choke Control
7	★690962	Gasket-Cylinder Head	51★◆△690949	Gasket-Intake	216	691022	Link-Choke	
8	499601	Breather Assembly	51B★◆699800	Gasket-Intake	219	698231	Gear-Governor	
9	★690937	Gasket-Breather	51C★◆699803	Gasket-Intake	220	690412	Washer (Governor Gear)	
10	691108	Screw (Breather Assembly)	53	690951	Stud (Carburetor)	222	698757	Bracket-Control
11	690942	Tube-Breather	54	699816	Screw (Intake Manifold)	227	691048	Lever-Governor Control
12	★697227	Gasket-Crankcase	73	494439	Screen-Rotating	231	690718	Screw (Choke Valve)
13	791130	Screw (Cylinder Head)	74	698425	Screw (Rotating Screen)	239	491657	Switch-Oil Pressure
15	690946	Plug-Oil Drain	75	691056	Washer (Flywheel)	240	691035	Filter-Fuel
16	699700	Crankshaft	95	690718	Screw (Throttle Valve)	250	690957	Retainer-Breather
20	★791892	Seal-Oil (PTO Side)	98	699721	Kit-Idle Speed	252	690956	Collector-Oil
22	694966	Screw (Crankcase Cover/Sump)	104	◆694918	Pin-Float Hinge	265	691024	Clamp-Casing
23	691053	Flywheel	105	◆698537	Valve-Float Needle	267	695134	Screw (Casing Clamp)
24	222698	Key-Flywheel	108A	699808	Valve-Choke	268	691025	Casing-Control Wire (Cut To Required Length)
25	499588	Piston Assembly (Standard)	117A	791406	Jet-Main (Standard)	269	691026	Wire-Control (Cut To Required Length)
		----- Note -----	118	699820	Jet-Main (High Altitude)	270	691027	Nut (Control Wire Casing)
		499590 Piston Assembly (.020" Oversize)	121A	699814	Kit-Carburetor Overhaul	271	691028	Lever-Control
			122	699802	Spacer-Carburetor	276	★695410	Washer-Sealing
			125A	699807	Carburetor	287	691108	Screw (Dipstick Tube)
			127	699810	Plug-Welch	304	790692	Housing-Blower (Black)
			130	699809	Valve-Throttle	305	691005	Screw (Blower Housing) (21/32" Long)
26	499604	Ring Set (Standard)	131A	699812	Kit-Throttle Shaft	309	497595	Motor-Starter
		----- Note -----	133	694914	Float-Carburetor	310	690323	Screw (Starter Motor)
		499606 Ring Set (.020" Oversize)	135	698780	Tube-Fuel Transfer	311	497608	Brush Set
			137A	◆698781	Gasket-Float Bowl	332	691059	Nut (Flywheel)
27	690975	Lock-Piston Pin	141A	699811	Kit-Choke Shaft	333	691060	Armature-Magneto
28	690229	Pin-Piston (Standard)	146	690979	Key-Timing	334	691061	Screw (Magneto Armature)
29	699699	Rod-Connecting (Standard)	165	693148	Nut (Ring Gear)			
32	690976	Screw (Connecting Rod)	187	699799	Line-Fuel (Molded)			
33	499596	Valve-Exhaust	187A	791801	Line-Fuel			
34	697464	Valve-Intake						

★ Included in Engine Gasket Set-Ref. No.358A.

● Included in Carburetor Overhaul Kit-Ref. No. 121A.

◆ Included in Carburetor Gasket Set-Ref. No. 977.

△ Included in Valve Gasket Set-Ref. No 1095A.

**Illustrations cover a range of engines. Parts shown without corresponding text may not be used on your specific engine.**



**403500**

REF. NO.	PART NO.	DESCRIPTION	REF. NO.	PART NO.	DESCRIPTION	REF. NO.	PART NO.	DESCRIPTION
337	691043	Plug-Spark	616	691045	Crank-Governor	877C	399916	Wire/Connector-Alternator
358A	699823	Gasket Set-Engine	628	691108	Screw (Fuel Pump Bracket)			(10 Amp Circuit)
363	19203	Puller-Flywheel	633	●695414	Seal-Choke/Throttle Shaft	883	690970	Gasket-Exhaust
383	19374	Wrench-Spark Plug	635	66538	Boot-Spark Plug	914	691127	Screw (Rocker Cover)
385	691108	Screw (Fuel Pump)	654	690958	Nut (Carburetor)	918	694000	Hose-Vacuum
387	808656	Pump-Fuel	668	691215	Spacer	943	★690589	Seal-O Ring (Oil Pump Cover)
404	690442	Washer (Governor Crank)	691	★690657	Seal-Governor Shaft	947	699728	Solenoid-Fuel
405A	697820	Screw (Back Plate)	695	693149	Screw (Ring Gear)	965	499613	Cover-Oil Pump
415	690283	Plug	697	690372	Screw (Drive Cap)	967	273638	Filter-Pre Cleaner
431A	699806	Elbow-Intake	703	691010	Clip	968	790095	Cover-Air Cleaner
445	499486	Filter-Air Cleaner Cartridge	710	697474	Cover-Oil Filter	975A	699502	Bowl-Float
447	691003	Screw (Air Guide Cover)	718	690959	Pin-Locating	977	699815	Gasket Set-Carburetor
447A	691108	Screw (Air Guide Cover)	726	499612	Gear-Ring	987	●699813	Seal-Throttle Shaft
467	691008	Knob-Air Cleaner	729	694123	Clip-Wire	1005	499603	Fan-Flywheel
474D	696458	Alternator (10 Amp Circuit)	741	690980	Gear-Timing	1017	690770	Screen-Oil Pump
501	691185	Regulator (10-16 Amp Regulated)	742	690328	Retainer-E Ring	1019	698414	Kit-Label
503	691532	Strap-Starter	742	690328	Retainer-E Ring	1022	★△690971	Gasket-Rocker Cover
505	691029	Nut (Governor Control Lever)	750	696999	Screw (Oil Pump Cover)	1023	499599	Cover-Rocker (Cylinder 1)
510	696541	Drive-Starter	783	695708	Gear-Pinion	1023A	499600	Cover-Rocker (Cylinder 2)
513	692024	Clutch-Drive	788	691039	Bracket-Fuel Pump	1024	499054	Pump-Oil
523	691036	Dipstick	789	790544	Harness-Wiring	1026	690981	Rod-Push (Steel)
524	★691032	Seal-Dipstick Tube	789A	698330	Harness-Wiring (6 Pin Customer Conversion)	1026A	690982	Rod-Push (Aluminum)
525	691037	Tube-Dipstick	797	693167	Nut (Brush Retainer)	1029	690972	Arm-Rocker
526	691108	Screw (Regulator)	798	697890	Screw (Rocker Arm)	1035	691042	Shaft-Pump
544	692034	Armature-Starter	801	691283	Cap-Drive	1036	790625	Label-Emissions
552	690552	Bushing-Governor Crank	802	691286	Cap-End	1051	691265	Ring-Retaining
552A	690553	Bushing-Governor Crank	803		Housing-Starter (Service With 497595 Starter Motor)	1054	280275	Tie-Cable
562	690311	Bolt (Governor Control Lever)	842	★691031	Seal-O Ring (Dipstick Tube)	1058	276245	Operator's Manual (Emission)
573	790444	Plate-Back	847	499602	Dipstick/Tube Assembly	1059	698516	Kit-Screw/Washer
578	691208	Wire Assembly	851	493880	Terminal-Spark Plug	1070	690372	Screw (Flywheel Fan)
579	691029	Nut (Starter Cable)	855	691011	Adapter-Air Cleaner	1090	691293	Retainer-Brush
601A	691038	Clamp-Hose (Black)	865	691012	Cover-Air Guide (Cylinder 1)	1095A	699822	Gasket Set-Valve
615	698290	Retainer-Governor Shaft	865A	691014	Cover-Air Guide (Cylinder 2)	1100	791959	Pivot-Rocker Arm
			865B	691015	Cover-Air Guide (Valley)	1119	691183	Screw (Alternator)
			868	★△690968	Seal-Valve	1127	695407	Screw (Float Bowl)
						1280	697475	Seal-O Ring (Oil Filter Cover)
						1330	273521	Repair Manual

★ Included in Engine Gasket Set-Ref. No.358A.

● Included in Carburetor Overhaul Kit-Ref. No. 121A.

◆ Included in Carburetor Gasket Set-Ref. No. 977.

△ Included in Valve Gasket Set-Ref. No. 1095A.

*Illustrations cover a range of engines. Parts shown without corresponding text may not be used on your specific engine.*